

STRICTLY CONFIDENTIAL

For Philips
Service Dealers only
Copyright

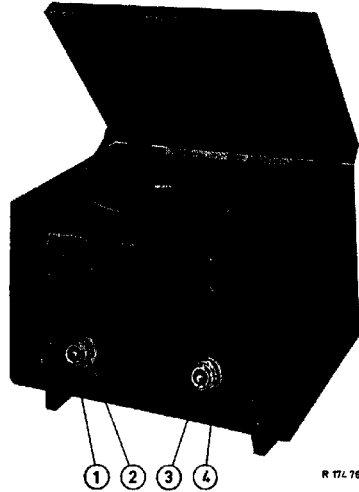
Published by
THE CENTRAL SERVICE DIVISION
N.V. Philips' Gloeilampenfabrieken
Eindhoven

PHILIPS

SERVICE NOTES
for the table radiogram

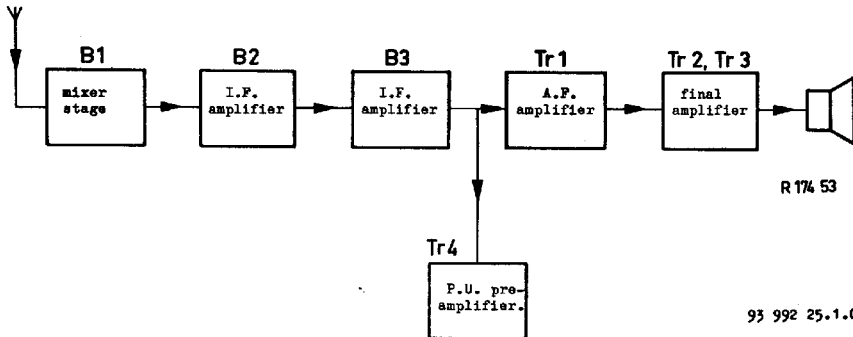
H4X75BT

1957. For battery supply.



R 77.76

Specifications:		Control elements:
<u>Valves</u>	<u>I.F.</u> : 452 kc/s	1. Battery switch and volume control
B1 - BK96	<u>Batteries</u>	2. Tone control.
B2 - DP96	Anode battery : 45 V	3. Tuning.
B3 - DP97	Filament and transistor	4. Wave range switch
B4 - IM71	Current battery : 4 x 1,5 V	
<u>Transistors and germanium diodes</u>	<u>Consumption</u> (pos. radio)	<u>Wave ranges</u>
X1 - OA85	Anode current: 2,5 mA	S.W. 2 : 6.9 - 22 Mc/s (13.6 - 43.5 m)
X2 - OA81	Filament and transistor	S.W. 3 : 2.2 - 7.4 Mc/s (40.5 - 136 m)
Tr1; Tr4 - OC71	current : 85 mA	M.W. : 517 - 1622kc/s (185 - 580 m)
Tr2; Tr3 - OC72	<u>Dimensions:</u>	
<u>Lowspeaker</u>	395 x 317 x 322 mm.	
AD 3700 Z		



Alignment of the receiver:

Unscrew the cores of S15 and S18.

	Wave-range	Position of station pointer	Signal	Damp with 10000 Ω	Trim for max. output voltage	
I.F. band-pass filters	M.W.	1630 kc/s (min.cap.)	452 kc/s via 33000 pF to g ¹ - B3	-	S19	Repeat
					S18	
			452 kc/s via 33000 pF to g ¹ - B2	S16	S17	Repeat
				S17	S16	
			452 kc/s via 33000 pF to g ³ - B1	-	S14	Repeat
					S15	

Apply signals via a normal dummy aerial.

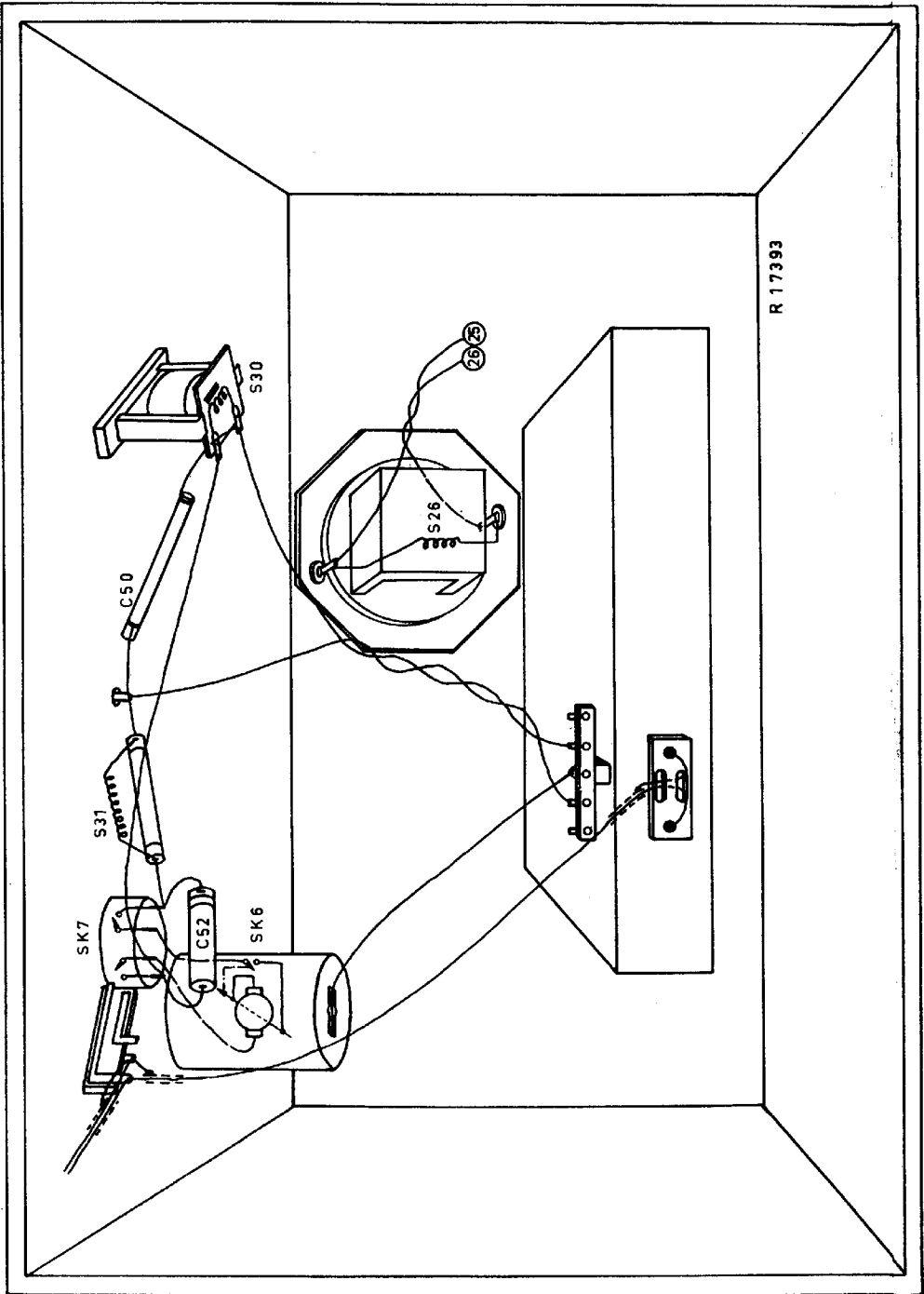
	Wave-range	Station pointer on trimming point	Signal	Trim for max. output voltage	Indication
R.F. and oscillator circuits	S.W.3	2	2,35 Mc/s	S10, S4	Repeat
		1	7,5 Mc/s	C12, C5	
	M.W.	2	550 kc/s	S12, S6	Repeat
		1	1630 kc/s	C13, C6	
	S.W.2	2	6,9 Mc/s	S7, S2	Repeat
		1	22,2 Mc/s	C11	

List of parts.

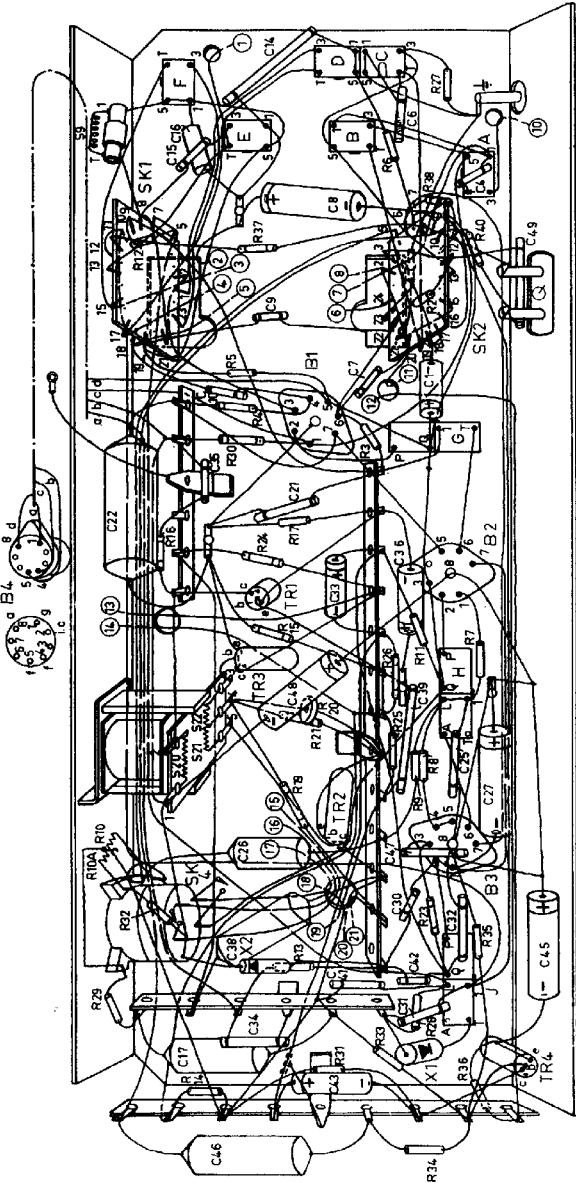
Cabinet	A3 003 15
Driving lever wave range switch	A3 417 67
Driving lever tune control	A3 750 29
Knob large	A3 752 65
Knob small at the left	A3 752 66
Knob small at the right	A3 752 79
Cap over battery holder	P5 280 44/31
Variable capacitor and drum	49 001 42
Battery switch	A3 397 57

For those parts which do not figure in the parts list, we refer to the catalogue for service standard parts.

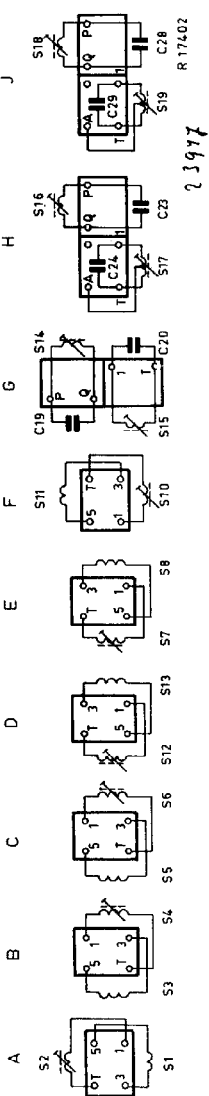
S1)	921/16-50M	S20)	A3 161 90
S2)		S21)	
S3)	921/40-135M	S22)	918/08
S4)		S23)	
S5)	921/185-590M	S24)	A3 166 38
S6)		S25)	
S7)	923/47-52M	S30)	A3 114 22
S8)		S31)	
S9)	923/40-135M	A1)	A3 826 35
S10)		R10)	
S11)	923/185-590M	R10a)	B1 639 58
S12)		R20)	
S13)	925/452	C44)	B8 320 01A/130E
S14)			AC 5852/1000
S15)	925/452		
C19)			
C20)	925/452		
S16)			
S17)	925/452		
C23)			
C24)	925/452		
S18)			
S19)			
C28)			
C29)			



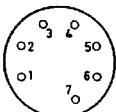
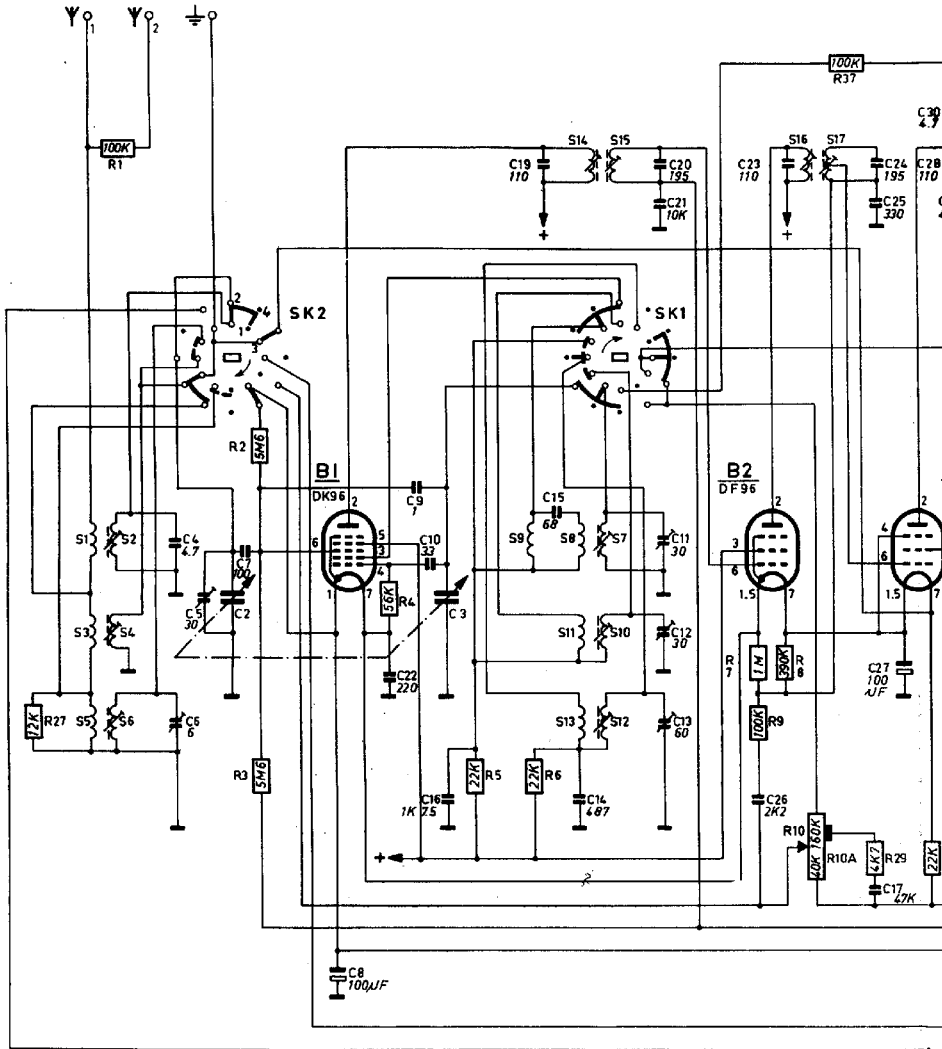
S											J										G										H										A, E, B, 9, F, D, C									
C	46.	37.	34.	31.	41.	42.	45.	38.	32.	30.	28.	47.	27.	25.	39.	48.											21.	22.	35.	10.	17.	9.	8.	4.	15.	16.	6.	14.												
R	34.	14.	36.	31.	33.	29.	28.	13.	35.	32.	10A.	19.	9.	8.	25.	21.	20.	26.	7.	15.	11.	24.	16.	17.	30.	3.	4.	5.	2.	37.	38.	12.	6.	27.																



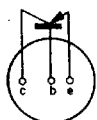
R 17387



S	1	3	5	2	4	6				9	8	11	13	7	10	12	14	15		16	17											
C			4	6	5	7	2			8	22	9	10	3	16	18	15	14		20	21	11	12	13	26	23	24	25	17	27	30	2
R	27		1			2	3				4			5		6					7	9	8	10	10A	37	29	38				



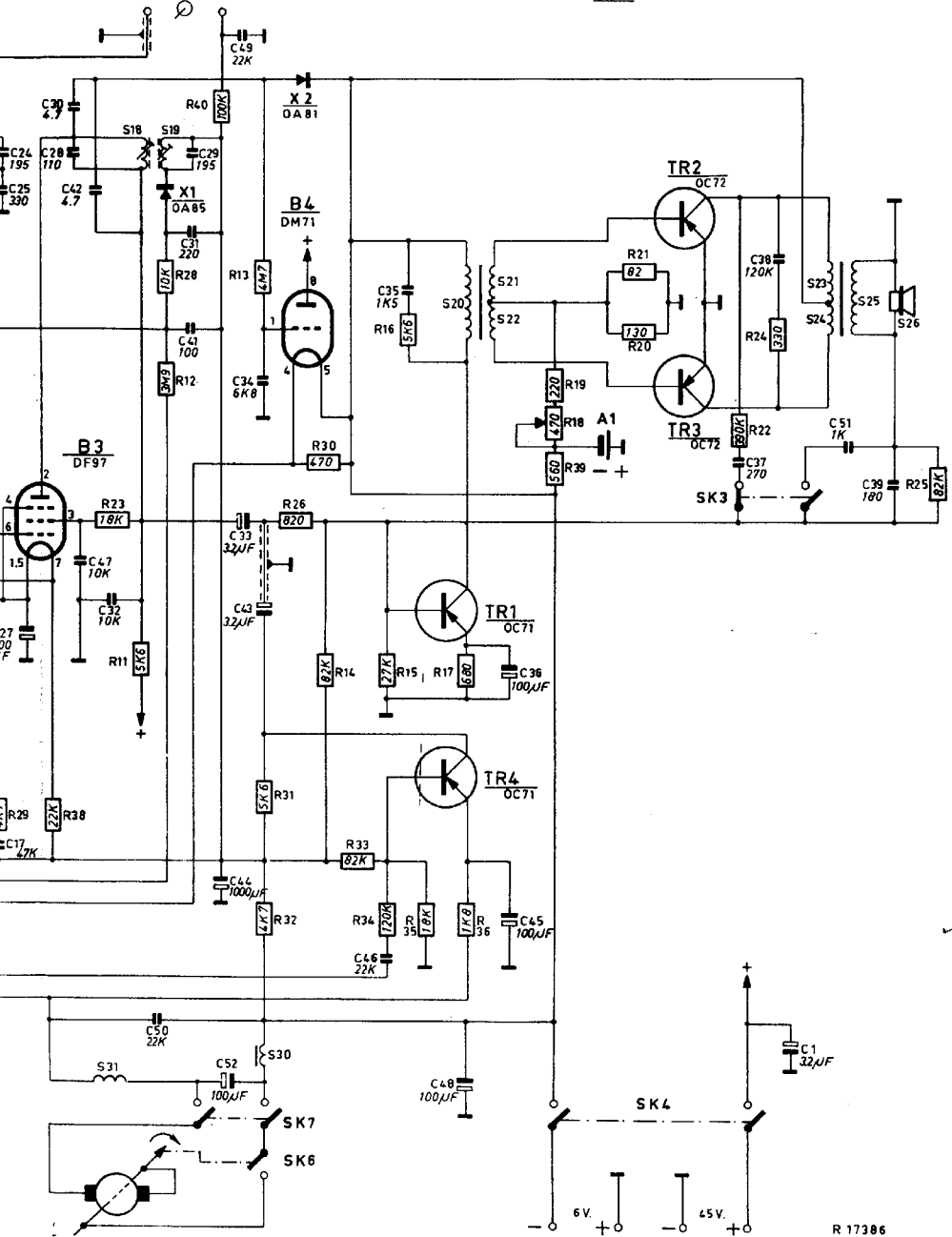
B1-2-3

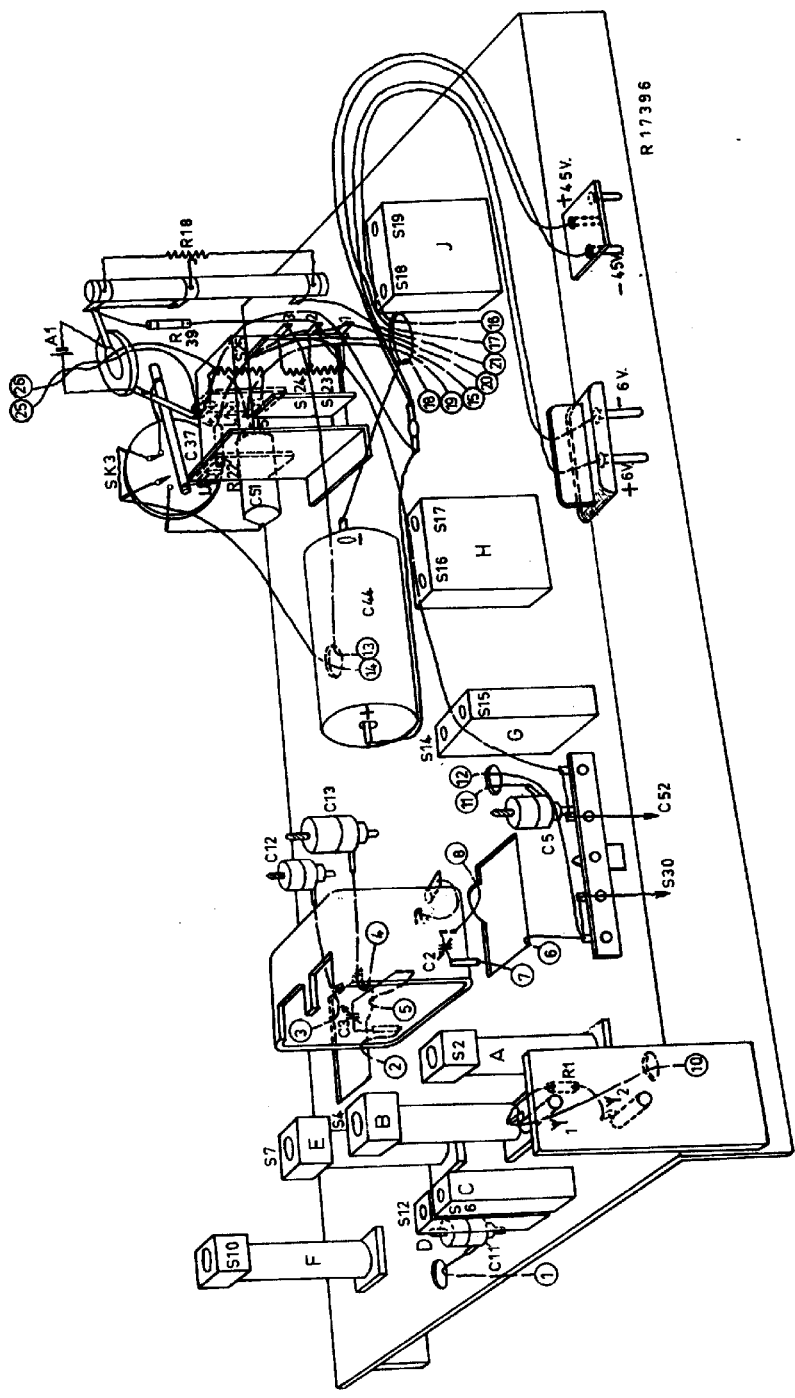


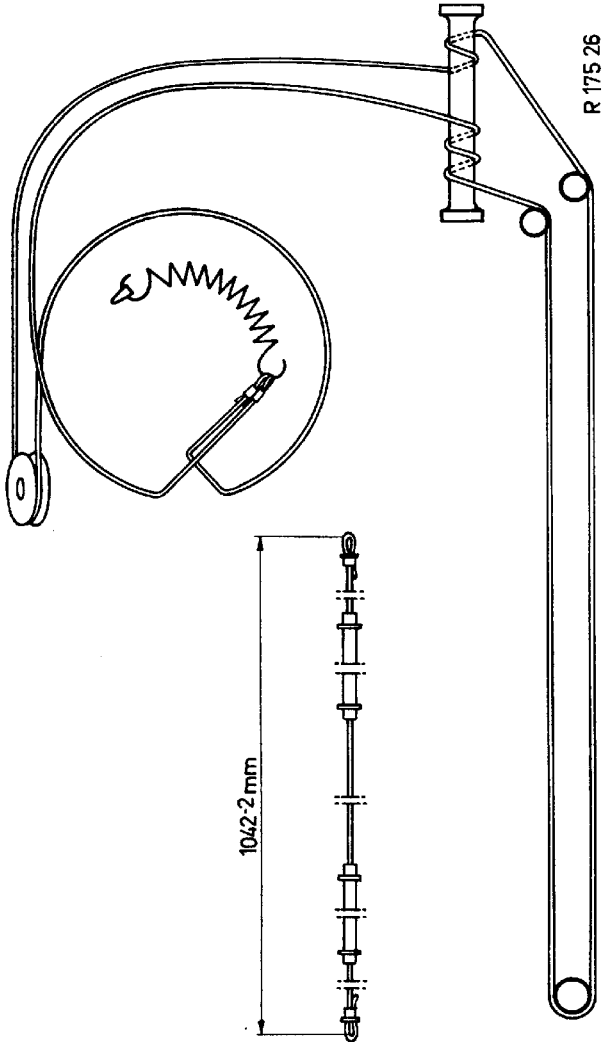
TR1-2-3-4

27	28	29	30	31	32	33	34	35	36	37	38	39	40	41	42	43	44	45	46	47	48	49	50	51	52	53	54	55	56	57	58	59	60	61	62	63	64	65	66	67	68	69	70	71	72	73	74	75	76	77	78	79	80	81	82	83	84	85	86	87	88	89	90	91	92	93	94	95	96	97	98	99	100																																
38	23	11	28	12	40	13	31	32	26	13	14	33	15	16	34	35	17	36	19	18	39	21	20	22	24	25	26	23	24	25	26	27	28	29	30	31	32	33	34	35	36	37	38	39	40	41	42	43	44	45	46	47	48	49	50	51	52	53	54	55	56	57	58	59	60	61	62	63	64	65	66	67	68	69	70	71	72	73	74	75	76	77	78	79	80	81	82	83	84	85	86	87	88	89	90	91	92	93	94	95	96	97	98	99	100

A1







N.V. PHILIPS GLOEILAMPEN- FABRIEKEN EINDHOVEN	<i>Service Information</i>	No. Ba 324
		30.9.1958
CENTRAL SERVICE DIVISION	GROUP: Apparatus	vG/JH
	ARTICLE: Radio	
	TYPE: H4X75BT.	

ALREADY PUBLISHED:

RE:

When the record player of the above set runs too slowly at a speed of 78 revolutions, this inconvenience can be remedied by replacing coil S31, code number A3 114 22 by code number A3 119 99. Should the pick-up sensitivity be insufficient, this can be improved by replacing transistor 4, OC71 by OC75. Sets with factory plate PLO2 have been provided already with the new transistor.

Lorsque le tourne-disques de l'appareil susmentionné marche trop lentement à 78 tours, on peut remédier à cet inconvénient en remplaçant la bobine S31 numéro de code A3 114 22 par le numéro de code A3 119 99. En cas que la sensibilité de pick-up serait insuffisante, ceci peut être amélioré en remplaçant le transistor 4 par un OC75 (au lieu de OC71). Les appareils avec la plaque de fabrication PLO2 ont été munis déjà du nouveau transistor.

Quando el tocadiscos del aparato mencionado arriba gira demasiado lentamente a 78 revoluciones, este inconveniente puede remediarse substituyendo la bobina S31 número de código A3 114 22 por el número de código A3 119 99. En caso que la sensibilidad de fonocaptor sería insuficiente, esto puede mejorarse substituyendo el transistor 4 por un OC75 (en lugar de OC71). Receptores con la placa de fabricación PLO2 van equipados ya del nuevo transistor.

CENTRAL SERVICE DEPARTMENT

[Signature]
Th. Sijm.

N.V. PHILIPS
GLOEILAMPEN-
FABRIEKEN
EINDHOVEN

Service Information

No. Ba 312

15/6/'58

CENTRAL
SERVICE
DIVISION

GROUP: Apparus
ARTICLE: Radio
TYPE: H4X75BT

vG/AB.

ALREADY PUBLISHED:

RE: Alteration of the code number

In the Service Notes on the above mentioned receiver the code number given for the cabinet is A3 003 15.
Kindly alter this into A3 005 15.

Modification du numéro de code

Dans la documentation de l'appareil susmentionné, le boîtier est indiqué sous le numéro de code A3 003 15.

Veillez lire A3 005 15

Modificación del aparato mencionado arriba, el mueble se ha indicado bajo el número A3 003 15

Esto debe ser A3 005 15.

CENTRAL SERVICE DIVISION

TH. SIJM 