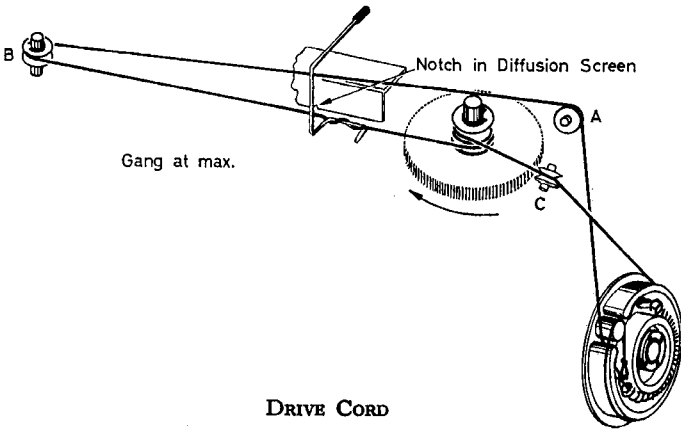
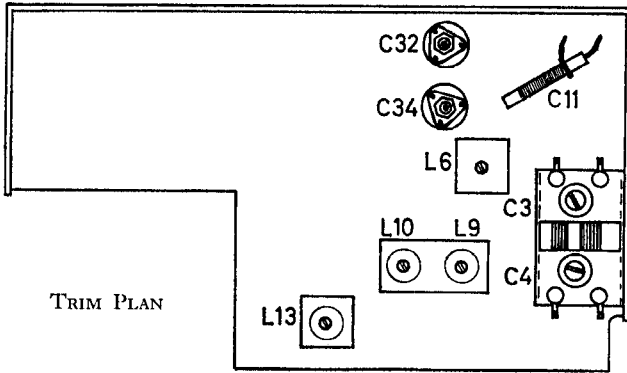
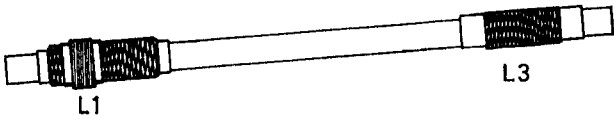


PHILIPS "TRIESTE" Model L2G43T

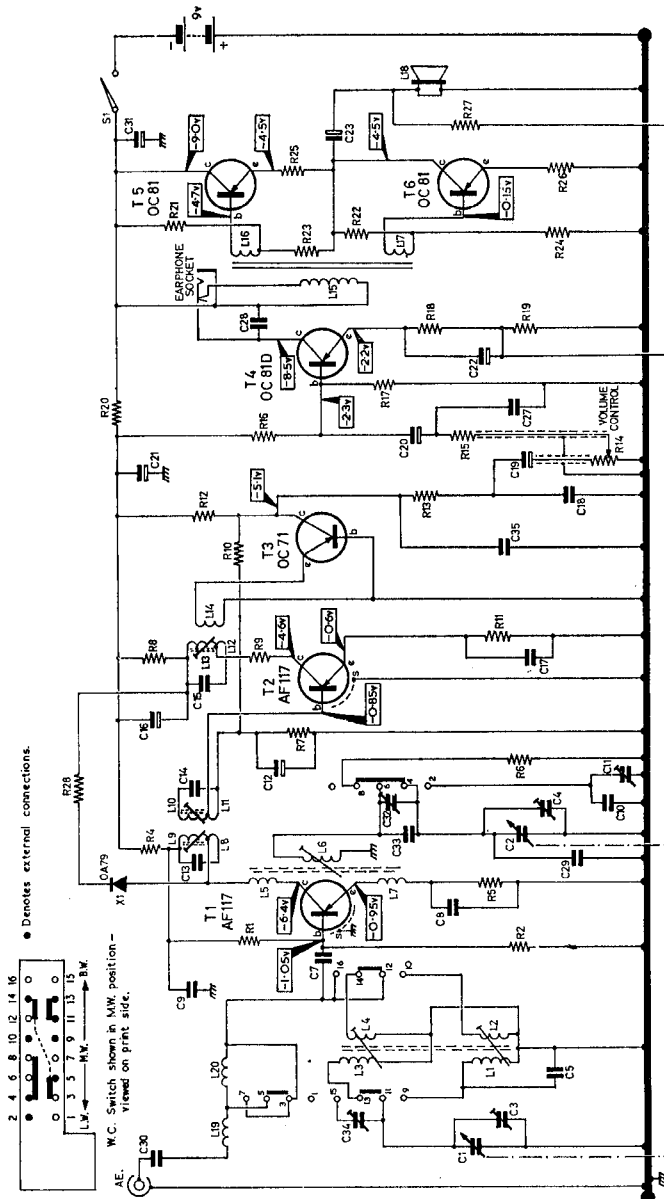
General Description: Six-transistor, L.W./M.W. plus bandspread, portable receiver. Sockets for car aerial and earphone. 9-volt battery (PP7 or equivalent). Consumption 15 mA.

Semi-conductors: (T₁, T₂) AF117; (T₃) OC71; (T₄) OC81D; (T₅, T₆) OC81; (X₁) OA79.

Alignment: I.F. 470 kc/s. (L₁₃, L₁₀, L₉); M.W. 535 kc/s. (L₆, L₃); 1500 kc/s. (C₄, C₃); L.W. 145 kc/s. (C₁₁); 190 kc/s. (L₁); Bandspread 1400 kc/s. (C₃₂); 1438 kc/s. (C₃₄).



DRIVE CORD



• Denotes external connections.

W.C. Switch shown in MW position—
viewed on print side.

CIRCUIT DIAGRAM—PHILCO MODEL L2G43T

Adendum: A 2.2k pF. capacitor C36 (not shown) has been added between slider R14 (V/C) and + side of C19.

Capacitors.	C12	25 μF.	C31	640 μF.
C1-4	Gang		C32	3.30 pF.
C5	56 pF.		C33	18 pF.
C6	18k pF.		C34	80 μF.
C7	10k pF.		C35	160 μF.
C8	18k pF.		C36	2.2k pF.
C9	0.1 μF.			
C10	180 pF.			
C11	100 pF.			
			Resistors.	
			R1	33k
			R2	6.8k
			R3	1.5k
			R4	1.5k
			R5	1k
			R6	8k
			R7	10k
			R8	1.5k
			R9	180
			R10	47k
			R11	270
			R12	27k
			R13	4.7k
			R14	47k
			R15	470
			R16	39k
			R17	18k
			R18	1k
			R19	15
			R20	270
			R21	2.2k
			R22	2.2k
			R23	470
			R24	39k
			R25	18k
			R26	1k
			R27	15
			R28	270
			R29	2.2k
			R30	2.2k