

PHILIPS

Models L3G04T/01, L3G23T

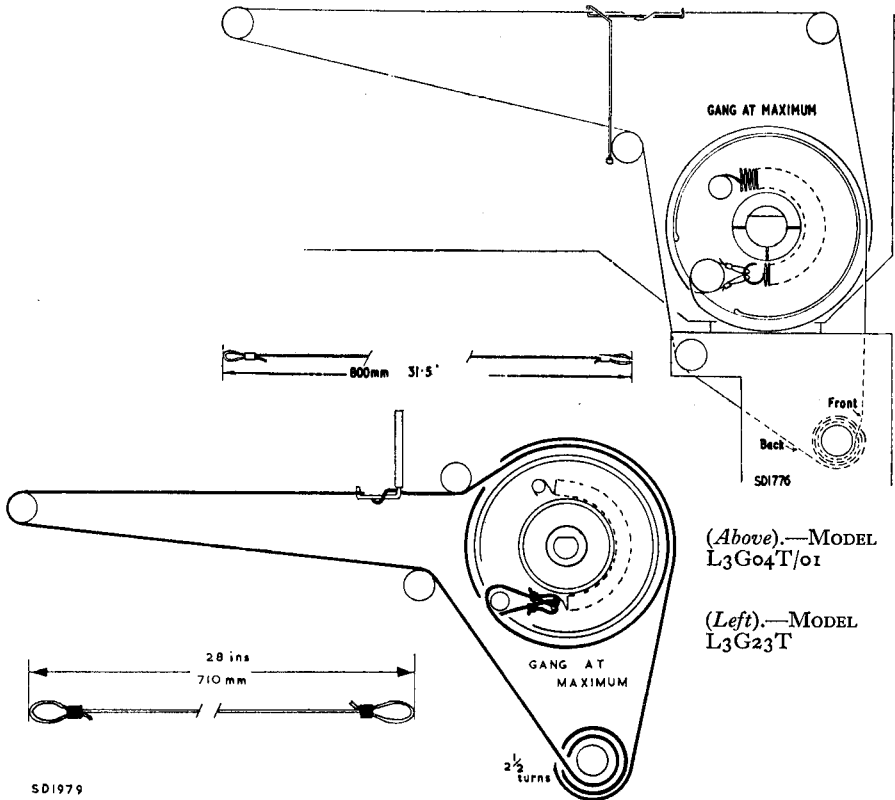
General Description: Six-transistor (plus diode), two-waveband, portable receiver with provision for car aerial, headphones and use with tape recorder. Chassis fitted to these two models are similar but cabinets differ. Also known as **Models 304T/01** and **323T**.

Power Supply: 304T/01, two 9-volt batteries (PP9, VT9). 323T two 9-volt batteries (PP7, VT7). No-signal consumption about 15 mA.

Wavebands: M.W. 187-555m.; L.W. 1215-2000 m.

Transistors: (T1) AF117; (T2) AF117; (T3) OC71 (detector); (T4) OC81D; (T5) OC81; (T6) OC81 (matched with T5). Crystal diode (X1) OA70 (A.G.C. rectifier).

Alignment Frequencies: I.F. 470 kc/s. (L13, L10/11, L8/9). M.W. oscillator 537 kc/s. (L6); 1610 kc/s. (C10); aerial circuits, 632 kc/s. (L3/4); 1450 kc/s. (C11). L.W. 180 kc/s. (C8, then L1/2).



(Above).—MODEL L3G04T/01

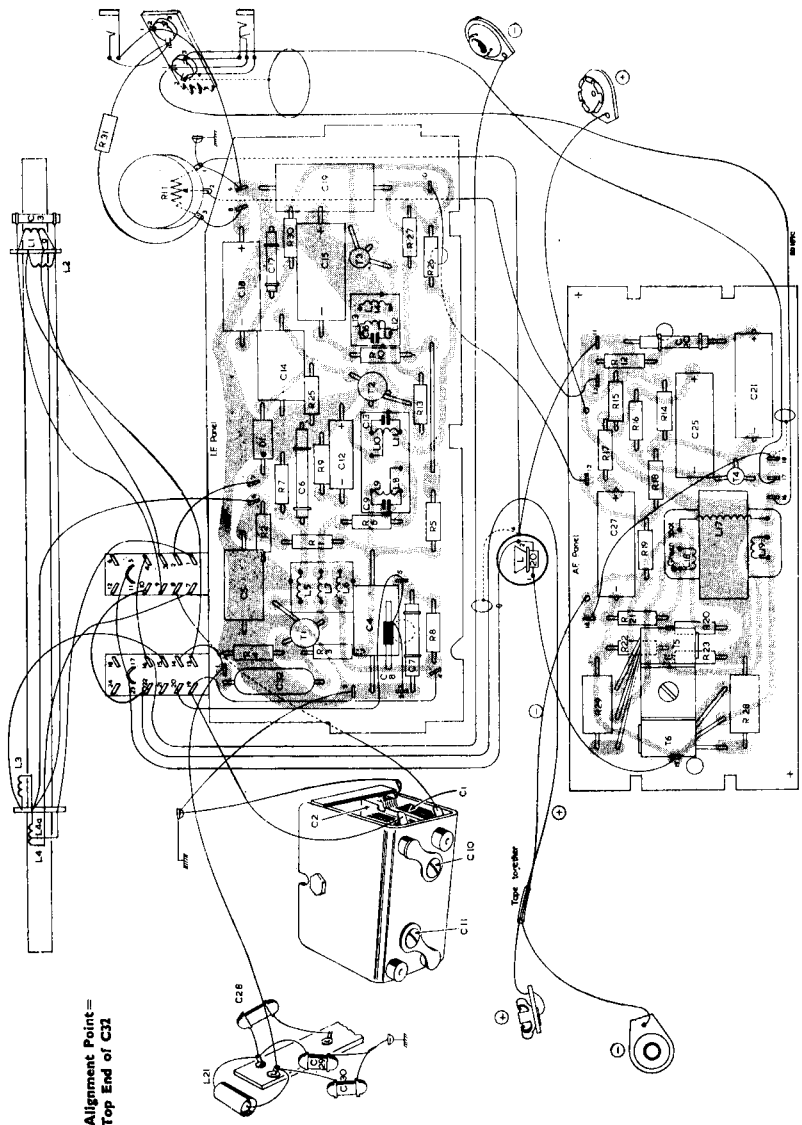
(Left).—MODEL L3G23T

SD1979

DRIVE CORD ARRANGEMENT

Capacitors.
 C3 68 pF. (10%)
 C4 0-15 (10%)
 C5 0-1 (10%)
 C6 18,000 pF. (10%)
 C7 180 pF. (10%)
 C8 100 pF.
 C9 2-30 pF.
 C11 1-30 pF.
 C12 1-30 pF.
 C14 10-15 (10%)
 C15 160
 C16 100
 C17 3,000 pF.
 C18 500
 C19 160
 C19* 100
 C20 4,700 pF.
 C21 100
 C22 160
 C27 100
 C28 10,000 pF.
 C29 15 pF. (5%)
 C30 15 pF. (5%)
 C32 8,200 pF. (10%)
 C33 * Some sets only

Resistors.
 R1 8-2k
 R2 390
 R3 33k
 R4 6-8k
 R5 100
 R6 390
 R7 1k
 R8 68k
 R9 10k
 R10 2-2k
 R11 50k
 R12 470
 R13 180
 R14 18k
 R15 15
 R16 1k
 R17 2-2k
 R18 50k
 R19 2-2k (5%)
 R20 2-7k (5%)
 R21 56 (5%)
 R22 2-7k (5%)
 R23 56 (5%)
 R25 270
 R26 47k
 R27 27k
 R28 5-1 (W.W., 5%)
 R29 5-1 (W.W., 5%)
 R30 4-7k
 R31 47k



Alignment Point =
 Top End of C12

COMPONENT LAY-OUT—PHILIPS MODEL L3G04T/01. LAY-OUT OF PANELS ALSO APPLIES TO MODEL L3G23T

Dismantling: (*Model 304T/01*). Place set face downwards on soft cloth. Release two captive retaining screws at back of set and lift off backplate. To remove front moulding release front fixing screws, one either side at top, two at bottom. To release I.F. panel unsolder wiring as required and remove end fixing bracket nearest volume control. Main chassis, tuning and drive assemblies may be detached from front moulding as one unit. Remove four fixing screws and unsolder both speaker leads and earth return wires to speaker chassis. Audio panel is secured by two spring clips.

(*Model 323T*). Place set face downwards on soft cloth, release two captive retaining screws and lift off cabinet back. Take out batteries and battery housing (three screws) and release aerial socket plate. Wooden cabinet is now only held by four corner screws. To detach receiver from front moulding pull off volume and tuning knobs and extract four chassis fixing screws. Withdraw audio panel from its slot housing and then prise off eight speaker clips. Set may now be lifted complete from front moulding. To gain access to underside of I.F. panel, release bracket attaching panel to main chassis (nearest volume control). Remove this bracket and then pull panel from second bracket. To enable I.F. panel to be turned over audio panel must be withdrawn from its housing.
