

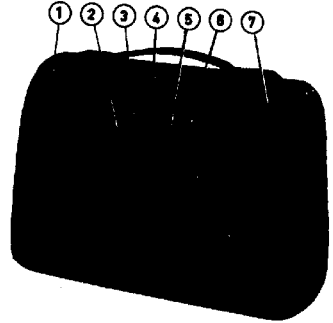
PHILIPS

SERVICE NOTES for the receivers

L4X66BT-00-01

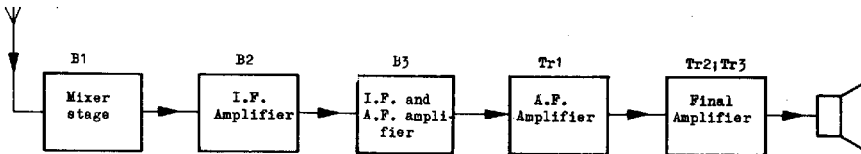
1957.

For battery supply



9 174 86

Specification:		Control elements:
<p><u>Valves:</u> B1 : DK96 B2 : DF96 B3 : DF96</p> <p><u>Transistors and germanium diodes:</u> X1 : OA85 Tr1 : OC71 Tr2, Tr3: OC72</p> <p><u>Loudspeaker:</u> AD 3460 Z</p>	<p><u>I.F.</u> : 452 kc/s.</p> <p><u>Batteries:</u> Anode batterie : 45 V Glow- and transistor batteries: 8x1,5 V</p> <p><u>Power consumption:</u> Anode current : 3 mA Filament and transistor current : 55 mA</p> <p><u>Dimensions:</u> 34,4x23,5x14,0 cm.</p>	<ol style="list-style-type: none"> 1. Volume control. 2. Battery switch. 3. M.W.: 186 - 580 m (517 - 1610 kc/s) 4. K.G.3 : 50 - 130 m (2,3 - 6 Mc/s) 5. K.G.2 : 24,8 - 50,8 m (5,9 - 12,1 Mc/s) 6. K.G.2a : 13,5 - 24,8 m (12,1 - 22,2 Mc/s) 7. Tuning.



The alignment of the receiver.

Unscrew the cores of S15, S16 and S18 almost entirely

	Signal	Pointer on trimming point	Adjust to maximum output voltage
I.F. band-pass filters	452 kc/s via 33000 pF to g1B2	1	S19, S18, S16
	452 kc/s via 33000 pF to g3B1	1	S14, S15

H.F. and oscillator circuits:

Apply signals via a normal dummy aerial.

Waverange switch	Signal	Pointer on trimming point	Adjust to maximum output voltage
M.W.	610 kc/s	3	S28
S.W.3	2,57 Mc/s	3	S13
S.W.2	6,45 Mc/s	3	S11
S.W.2a	13 Mc/s	3	S9
	21,5 Mc/s	2	C11
S.W.2	11,6 Mc/s	2	C13
S.W.3	5,55 Mc/s	2	C14
M.W.	1500 kc/s	2	C7

Put the set into the cabinet, connect the frame aerial and place it upwards. Apply signals via amplifying frame.

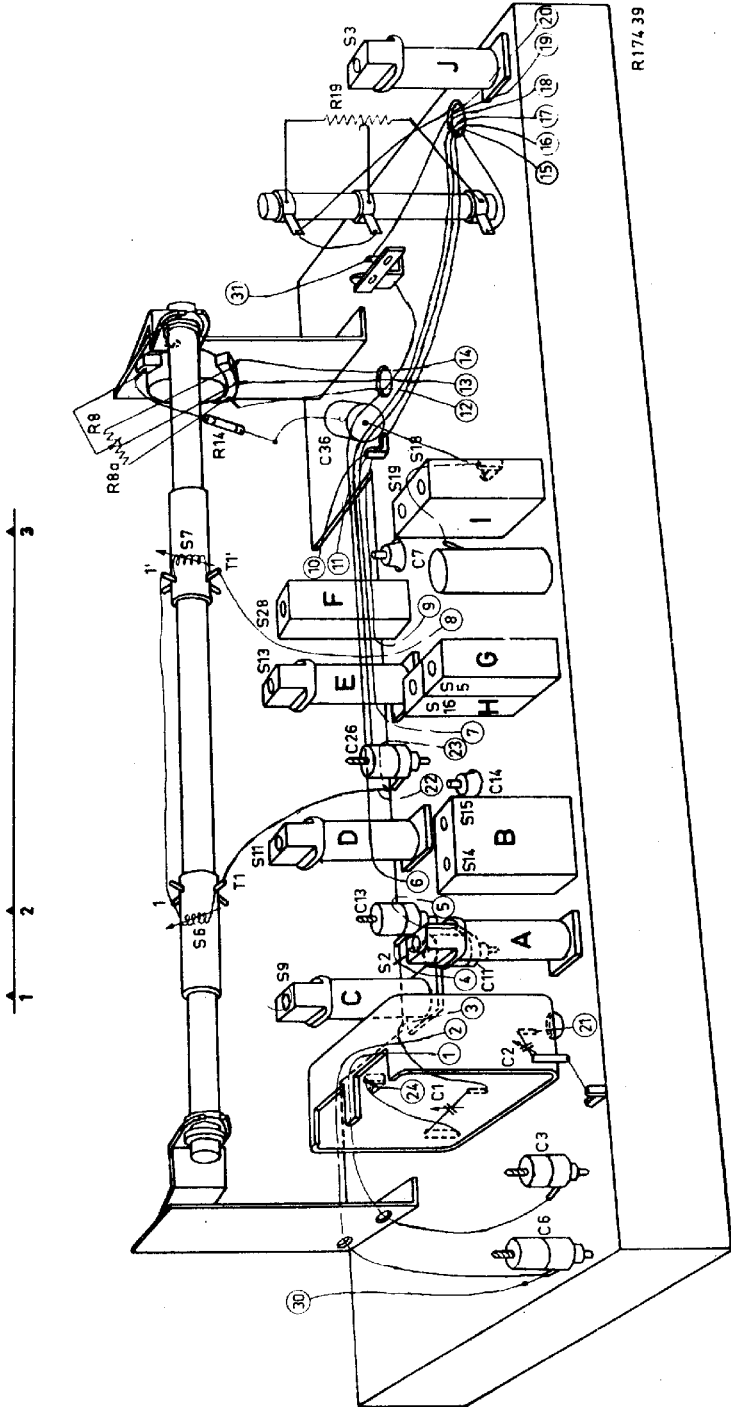
Waverange switch	Signal	Pointer on trimming point	Adjust to maximum output voltage
S.W.3	2,57 Mc/s	3	S5
S.W.2	6,45 Mc/s	3	S3
S.W.2a	13 Mc/s	3	S2
S.W.3	5,55 Mc/s	2	C9
S.W.2	11,6 Mc/s	2	C6
S.W.2a	21,5 Mc/s	2	C3

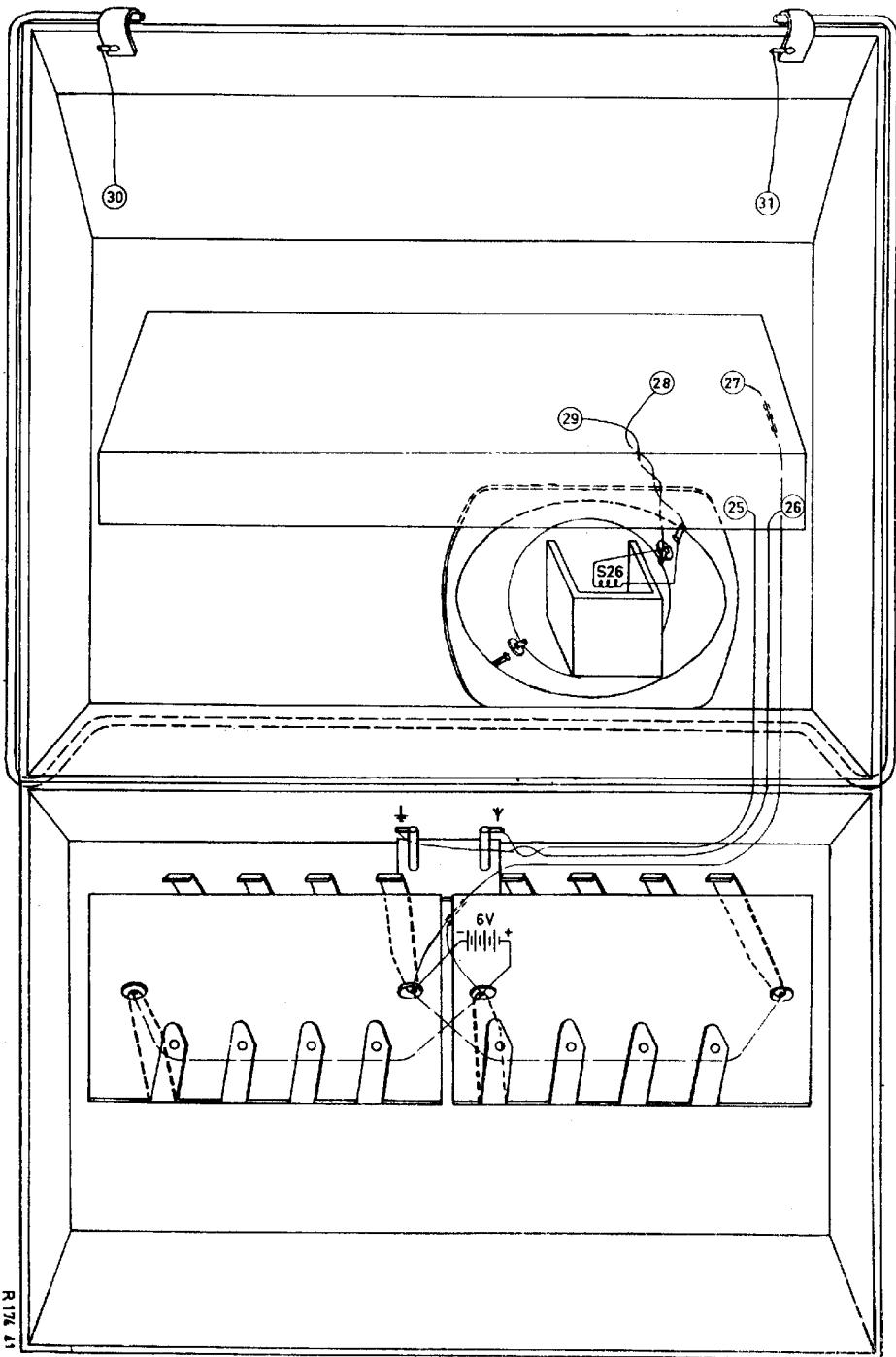
List of Parts:

Contact plate battery (1,5 V)	A3 764 75.0
Battery connecting plate (45 V)	A3 708 11.0
Variable capacitor	49 002 04.0
Cap for coils	WE 337 22
Cabinet : L4X66BT-00	A3 771 72.0
L4X66BT-01	A3 774 59.0
Knob left : L4X66BT-00 (VL)	P4 077 29/17
L4X66BT-01 (HA)	P4 077 29/17
Knob right: L4X66BT-00 (VL)	P4 077 30/17
L4X66BT-01 (HA)	P4 077 30/17
For parts which do not occur in this parts list, consult the Catalogue for service standard parts.	

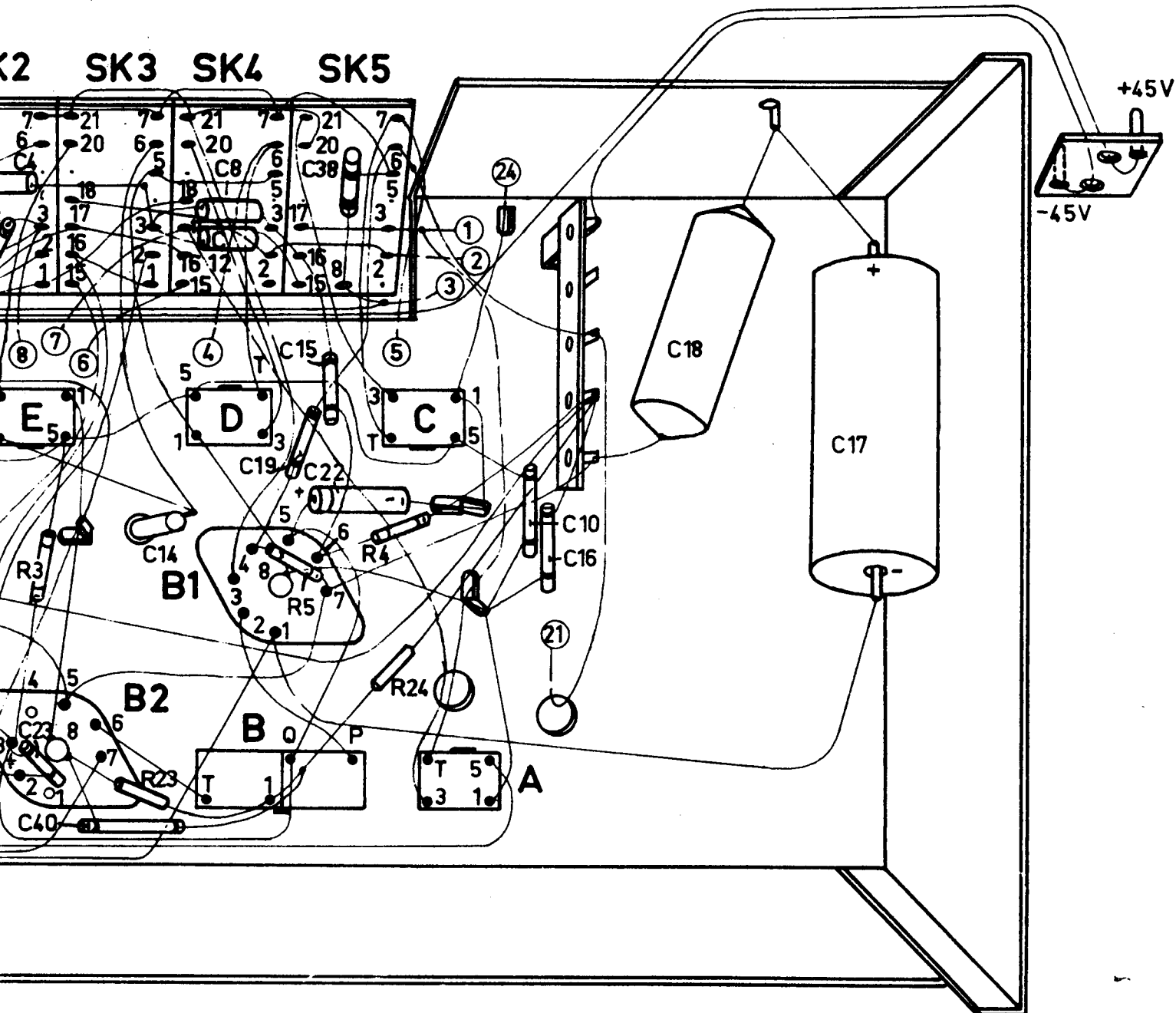
S1)	A3 802 85	S16	924/1650
S2)		S18)	
S3)	A3 802 68	S19)	925/452
S3a)		C30)	
S4)		C31)	
S5)	A3 127 11	S20)	
S6)		S21)	43 161 97
S7)	922/01	S22)	
S8)		S23)	
S9)	923/10-20M	S24)	918/08
		S25)	
S10)		C1)	
S11)	A3 802 66	C2)	49 002 04
S12)		R8	B1 639 62
S13)	A3 803 18	R8a)	
S27)		R19	B8 300 43B/2K2
S28)	A3 128 49		
S14)			
S15)	925/452		
S20)			
S21)			

R17439

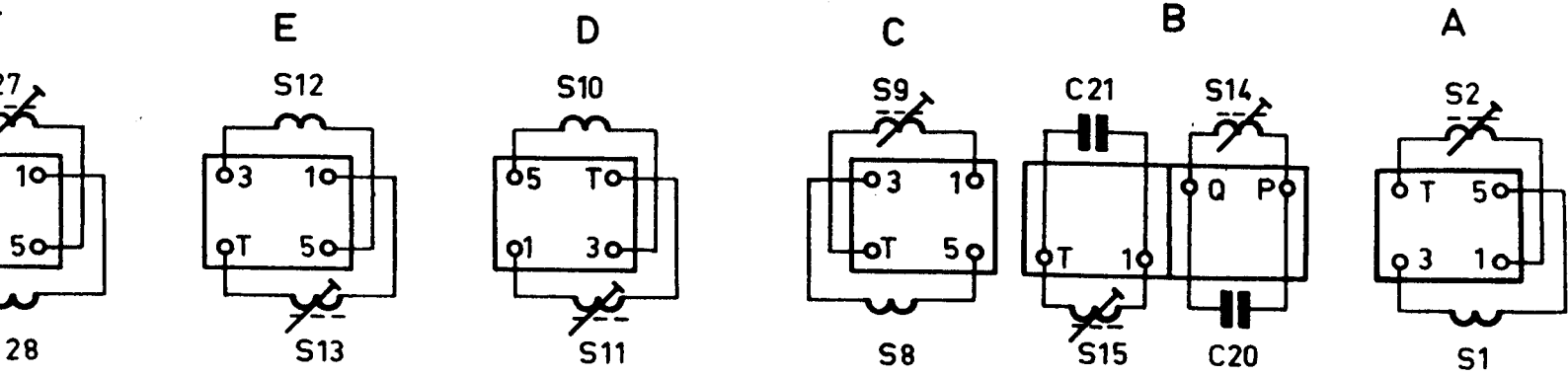




E.	D. 13.	C. A.
4. 23.	14.19. 12.8.	15.38.22.
1. 3.	5.	4.

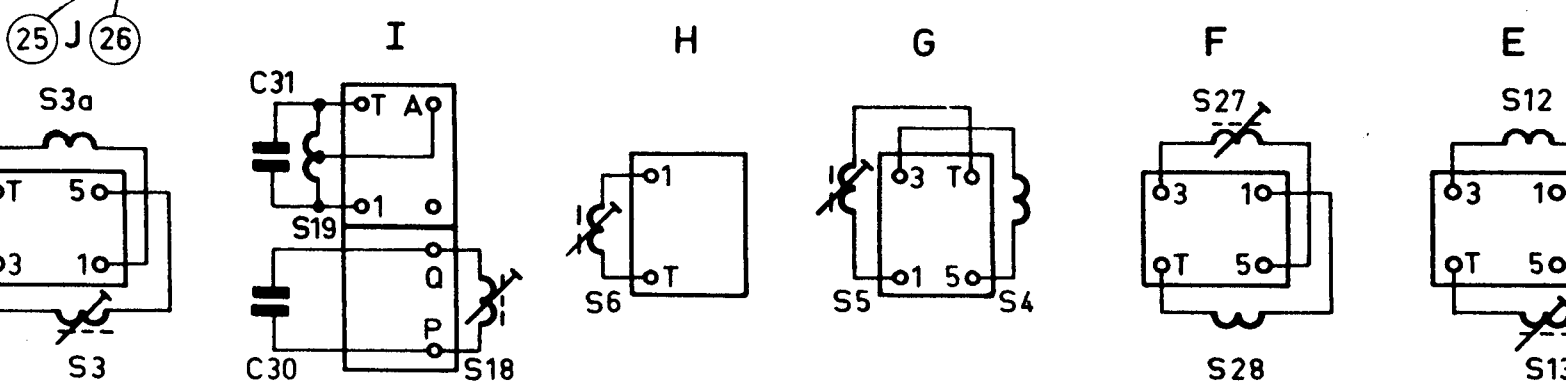
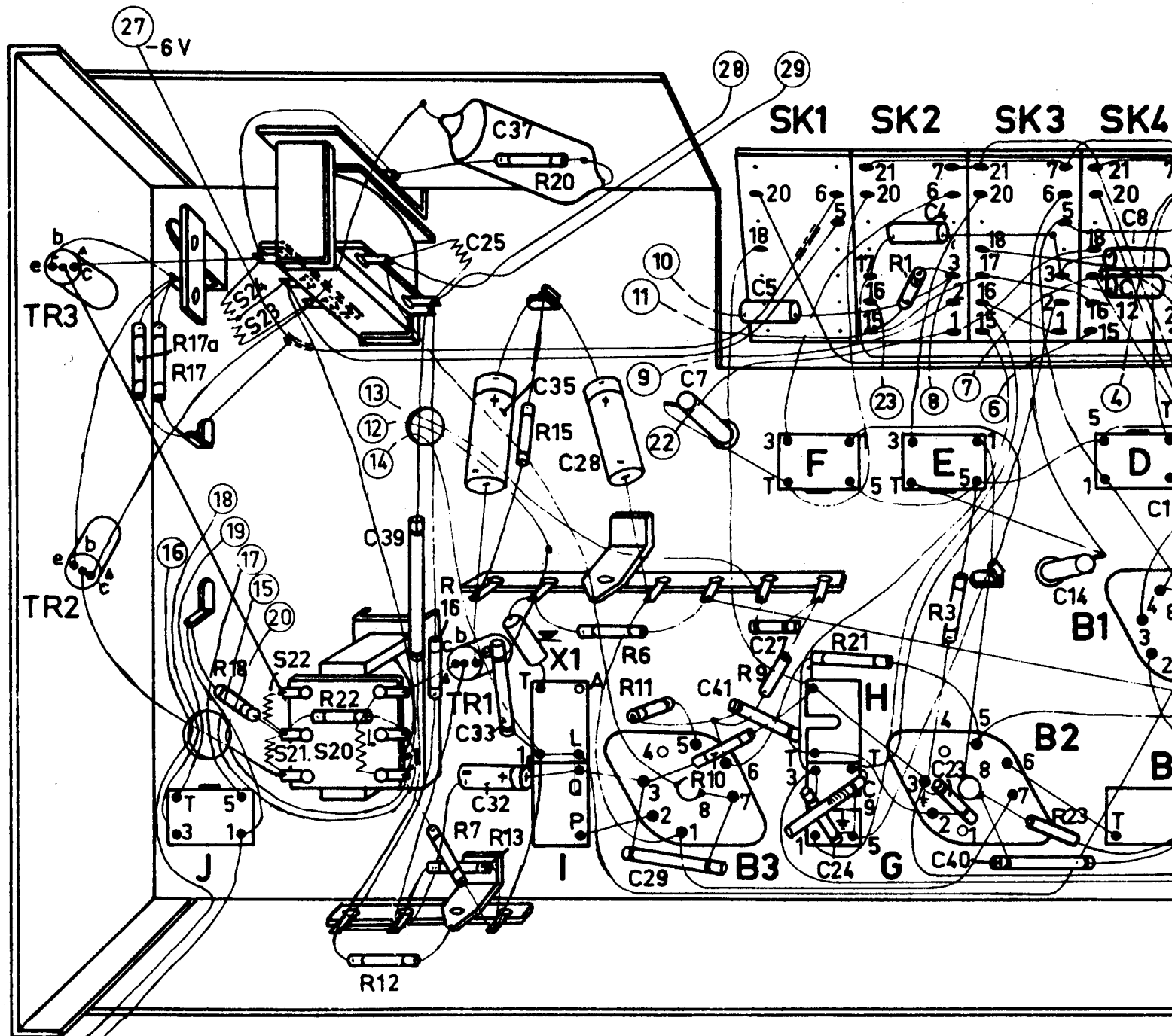


R174 40

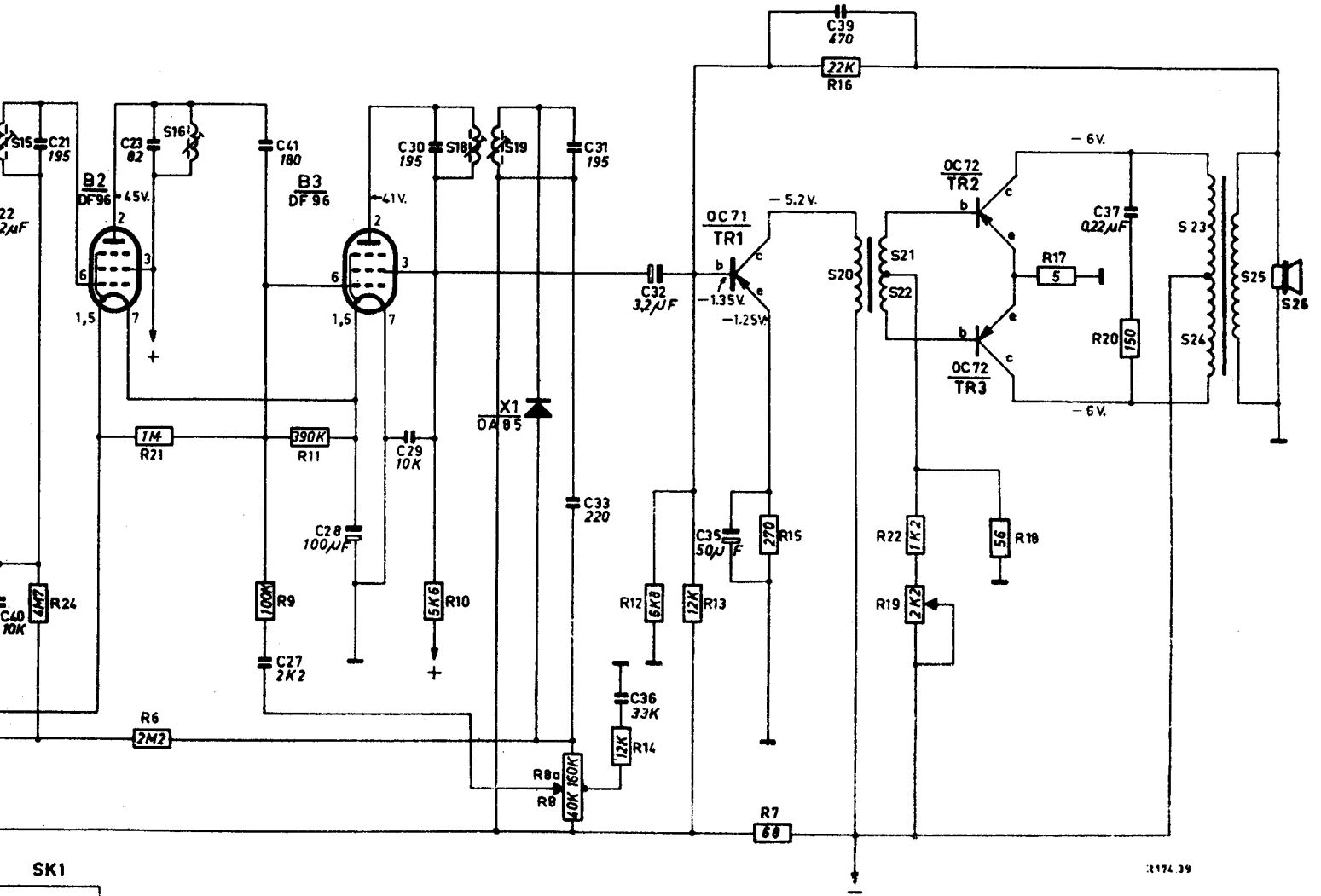


R174 42

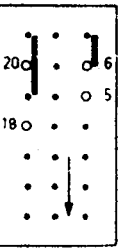
S	J	24.23.22.21.	20.	25.	I.	F.H.G.	E.	D.	
C			39.	33.35.32.37.	28.	29.7.	41.5.27.24.9.	4. 23.	14.19. 12
R	17a. 17.	18.	22. 12.	16. 7. 13.	15.20.	6.11.	10. 9.2.	21. 1. 3.	



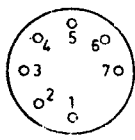
16.	18.	19.	20.	21.	22.	23.	24.	25.	26.								
40. 21.	23.	41. 27.	28.	29.	30.	33.	36.	32.	35.	39.	37.						
24.	21.	6.	9.	11.	10.	8. 8a.	14.	12.	13.	15.	7.	16.	22.	19.	18.	17.	20.



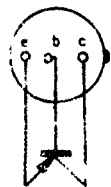
SK1



B1-2-3.



TR1-2-3.



S	1.2.3.4.5.6.7.					8. 9. 10. 11. 12. 13. 27. 28.					14. 15.		16.	
C	8.	24.	5. 3. 9. 26.	4. 8. 12. 1. 16. 15. 38.	17. 18. 19. 2.	11. 13. 14. 7.	10.	20.	22. 40. 21.	23.		24.		
R	1.			4.		5.		3.		23.		24.	21. 6.	9.

