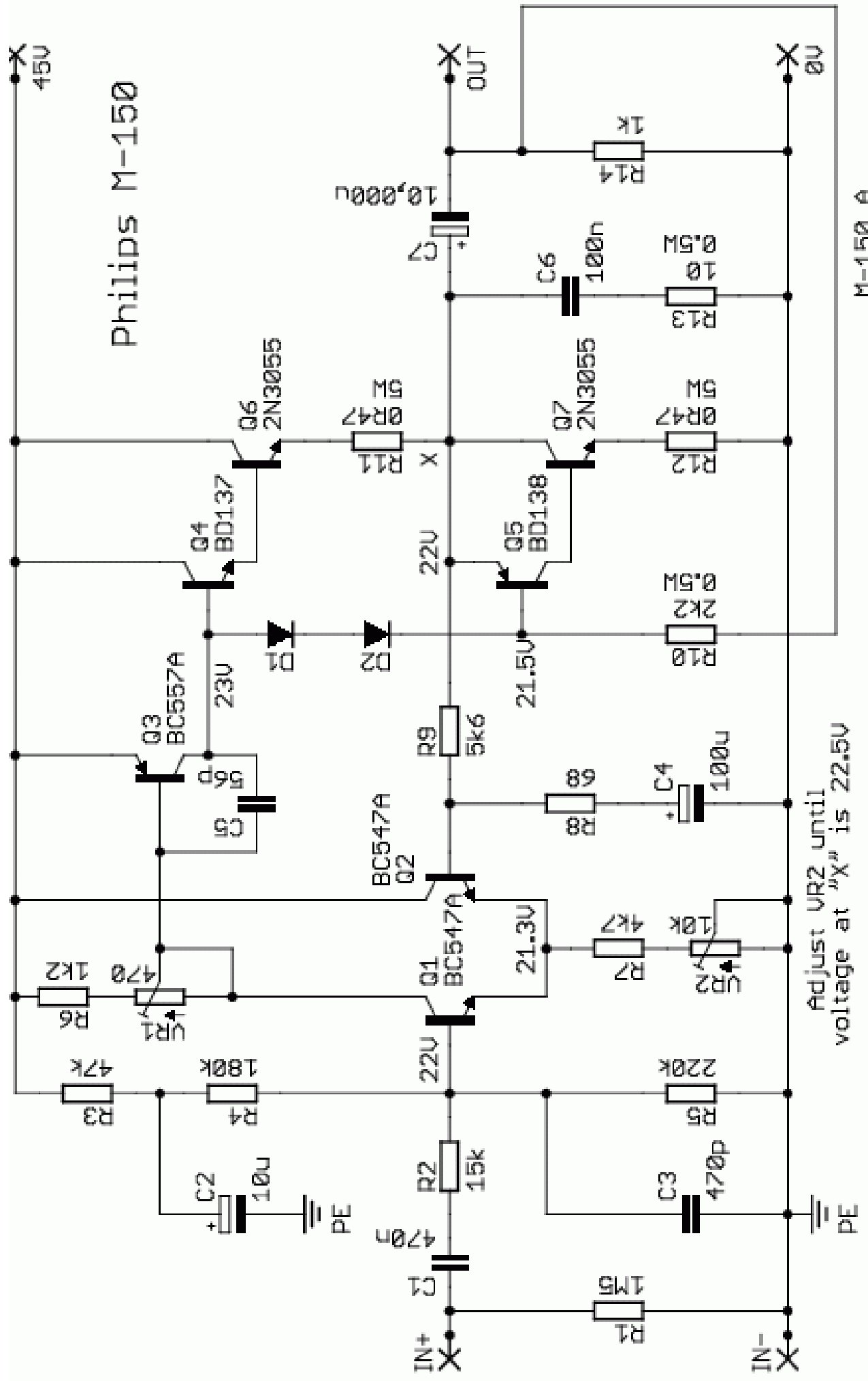


# Philips M-150



Adjust VR2 until voltage at "X" is 22.5V

M-150 A