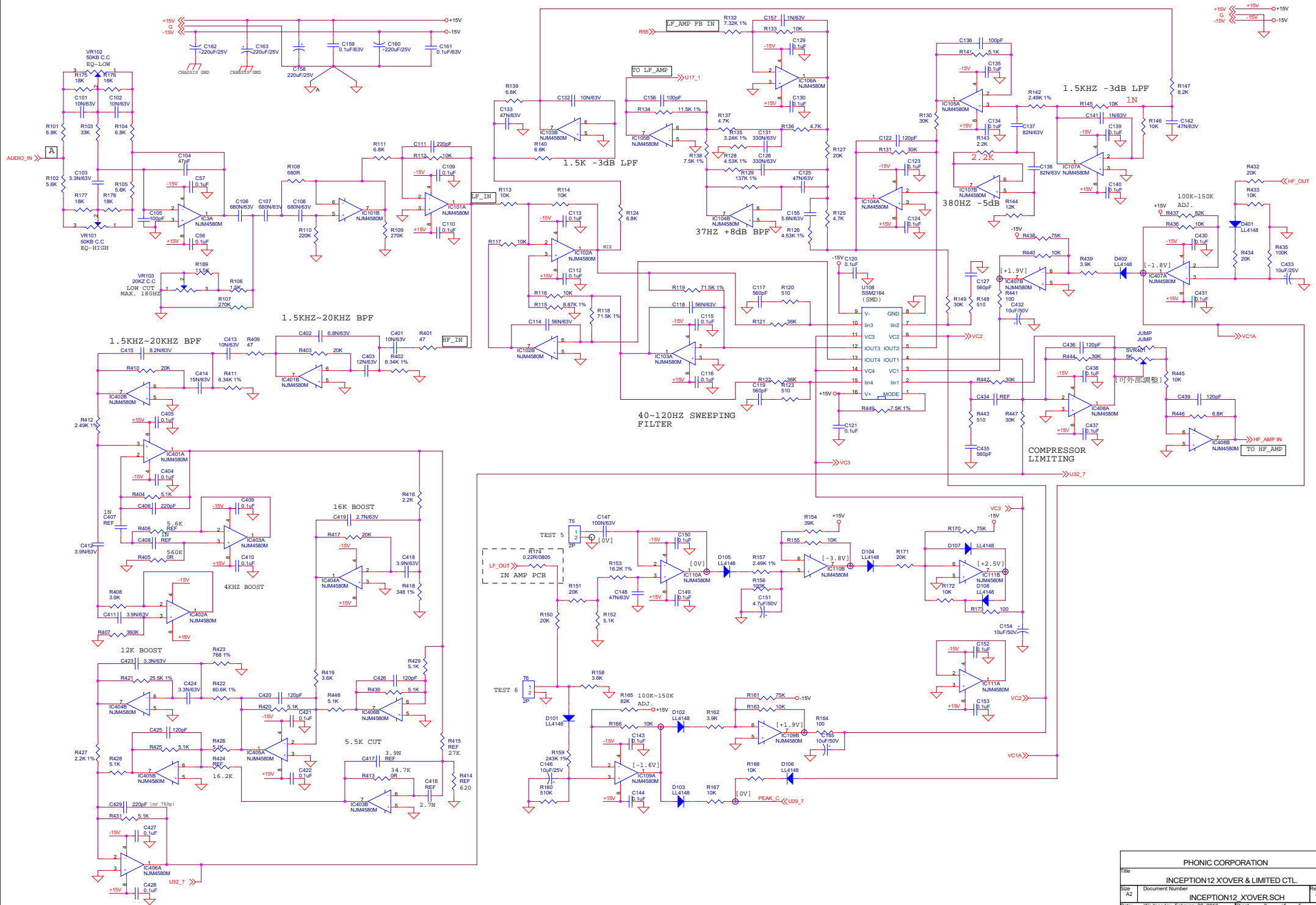
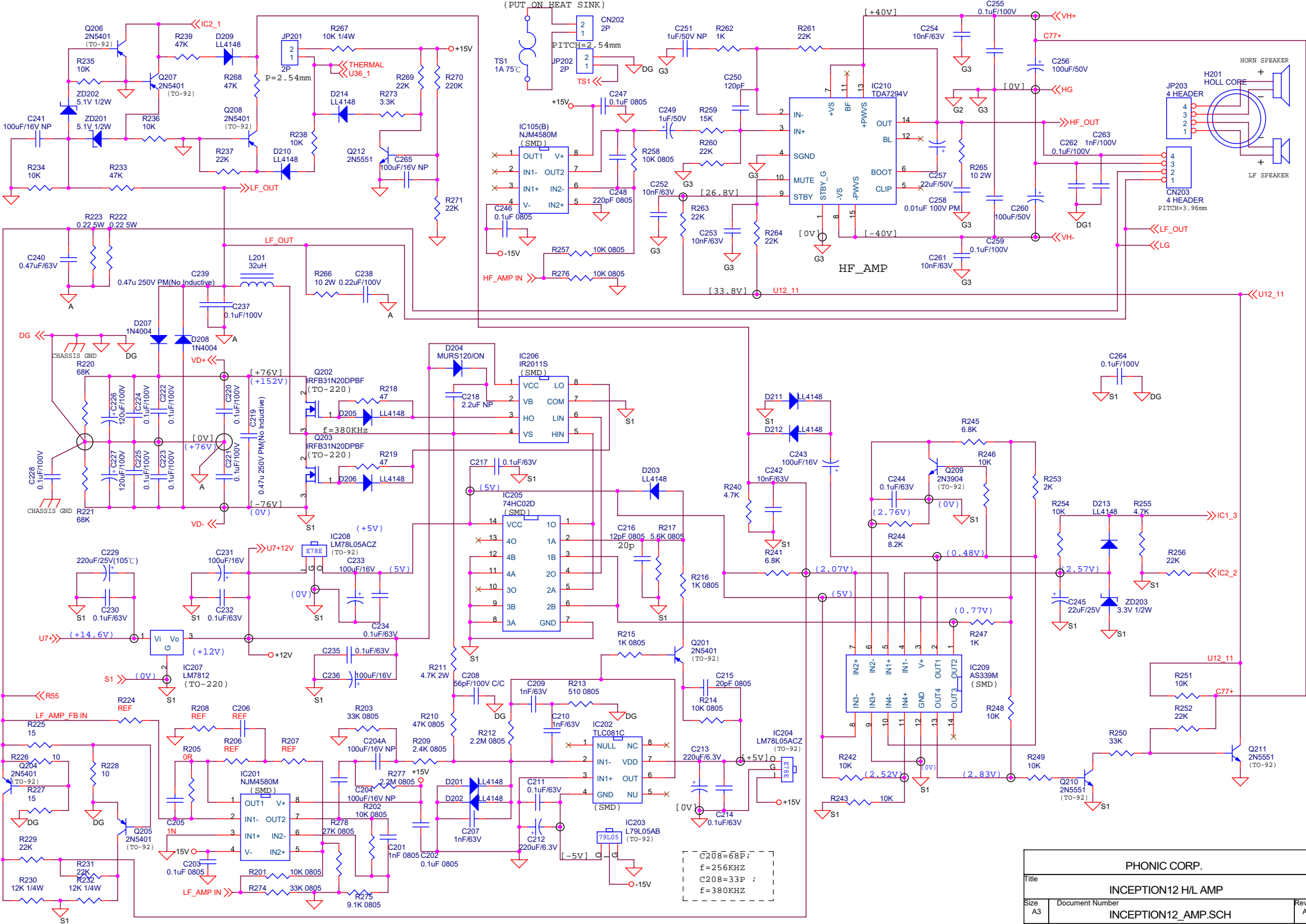
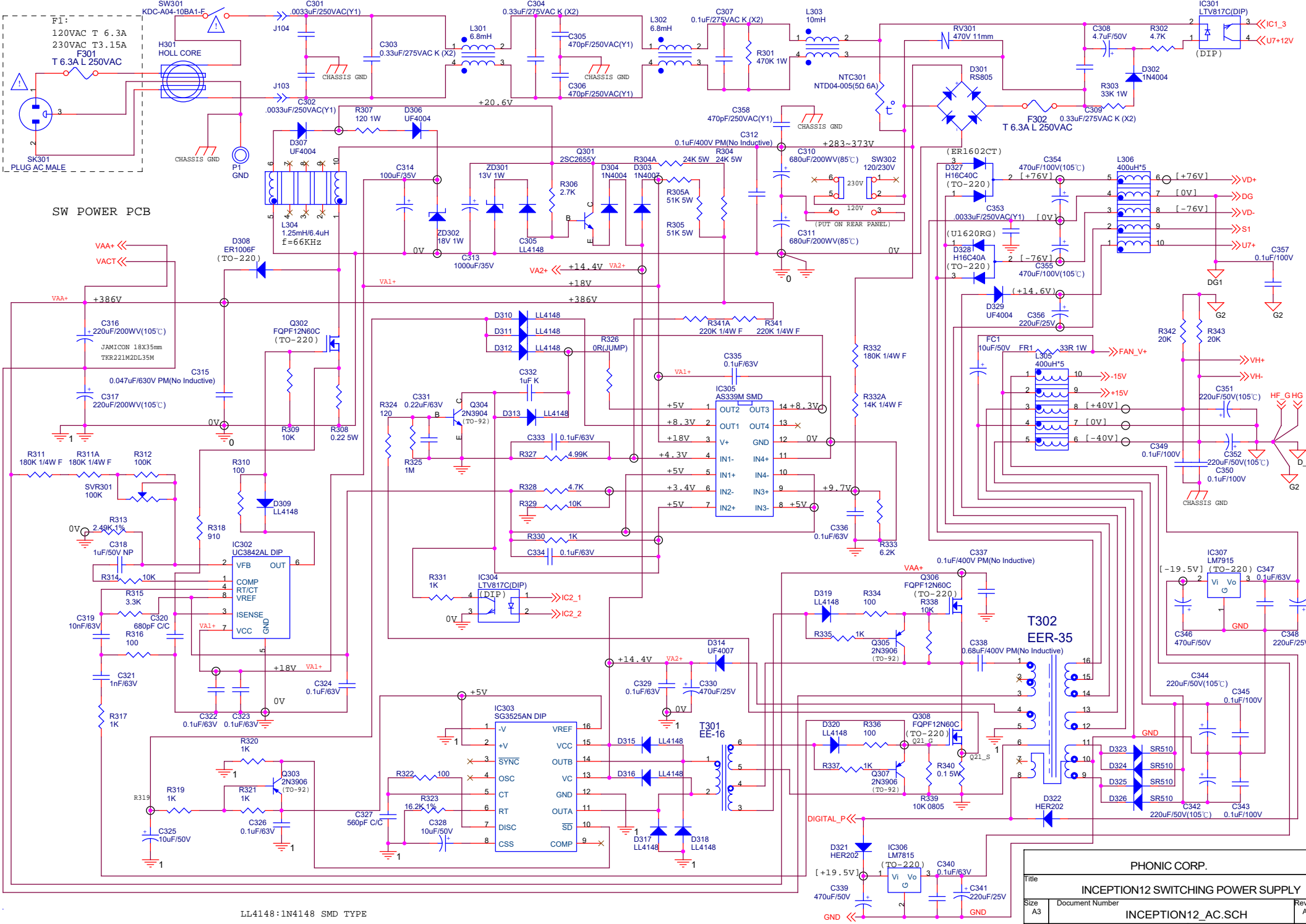


| | | |
|------------------------------------|-------------------------------------|----------|
| PHONIC CORP. | | |
| Title INCEPTION12 INPUT | | |
| Size A3 | Document Number INPUT.SCH | Rev A |
| Date: Wednesday, February 20, 2013 | Sheet 2 of 5 | |





| | | |
|---------------------|------------------------------|--------------|
| PHONIC CORP. | | |
| Title | INCEPTION12 H/L AMP | |
| Size | Document Number | Rev |
| A3 | INCEPTION12 AMP.SCH | A |
| Date: | Wednesday, February 20, 2013 | Sheet 4 of 5 |



SW POWER PCB

LL4148:1N4148 SMD TYPE

| | | |
|--------------|------------------------------------|--------------|
| PHONIC CORP. | | |
| Title | INCEPTION12 SWITCHING POWER SUPPLY | |
| Size | Document Number | Rev |
| A3 | INCEPTION12_AC.SCH | A |
| Date: | Wednesday, February 20, 2013 | Sheet 5 of 5 |