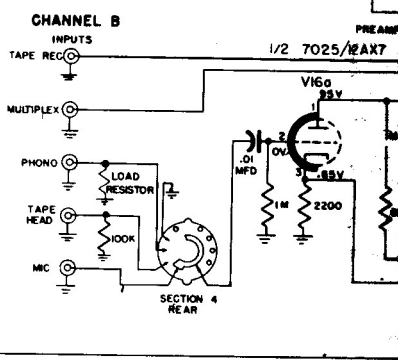
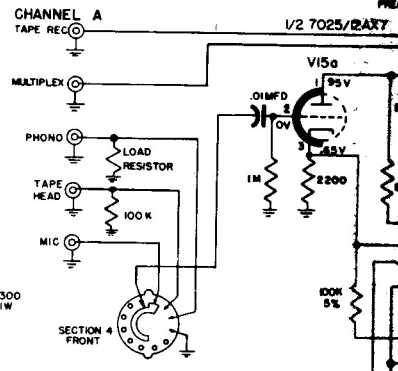
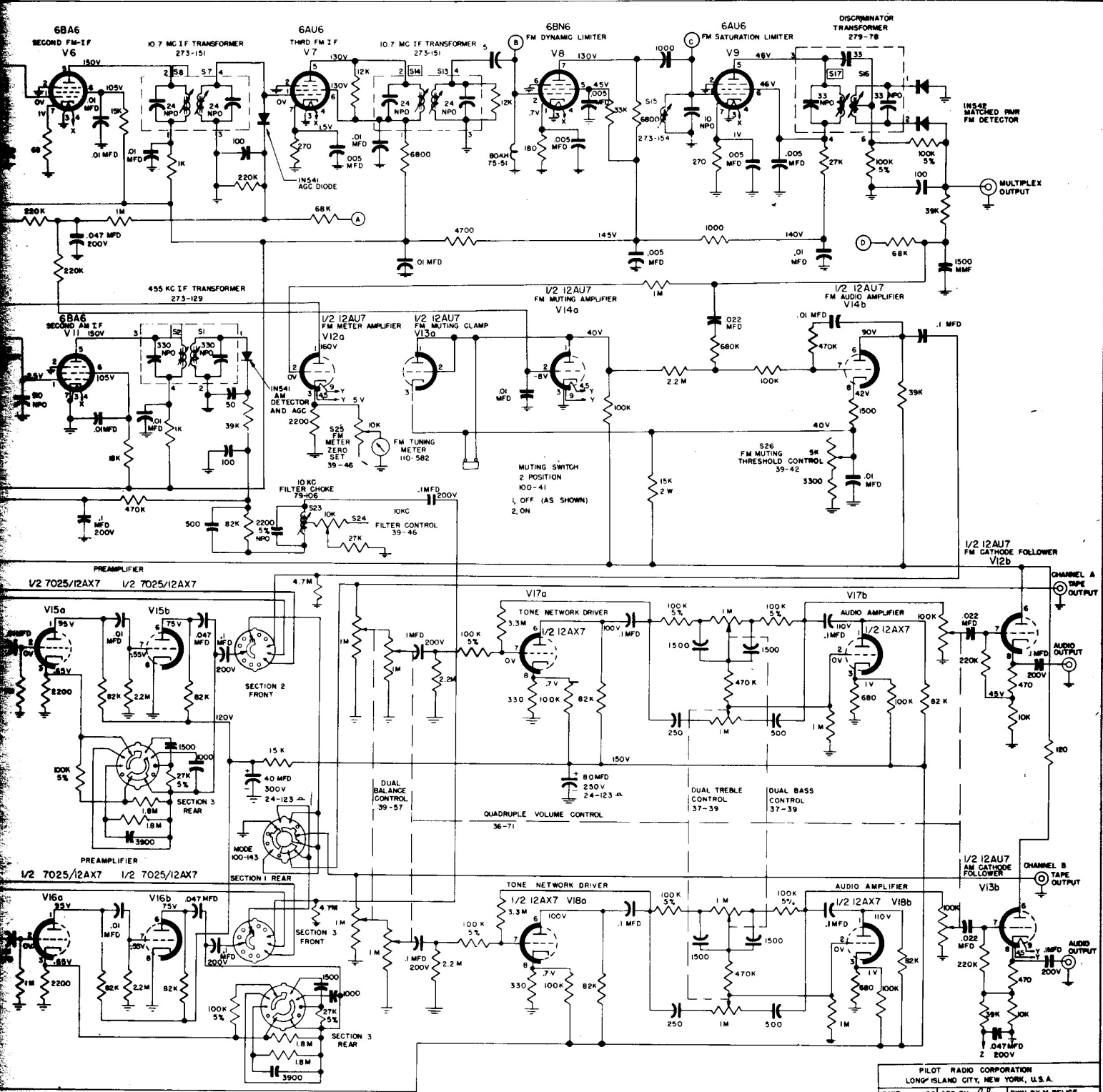


CONDITIONS FOR MEASURING VOLTAGES
 ADJUST LINE VOLTAGE TO 117 VAC
 NO SIGNAL INPUT
 USE V.T.V.M.
 ALL VOLTAGES MEASURED WITH RESPECT TO CHASSIS GROUND

- NOTES
- 1 - ALL RESISTORS 1/2 WATT 10% UNLESS OTHERWISE SPECIFIED
 - 2 - ALL PAPER CONDENSERS ± 20% RATED AT 400V UNLESS OTHERWISE SPECIFIED
 - 3 - ALL CERAMIC CONDENSERS ± 10% RATED AT 500V AND IN MMF UNLESS OTHERWISE SPECIFIED
 - 4 - K EQUALS 1000 OHMS
 - 5 - M EQUALS MEGOHMS
 - 6 - PHONO LOAD RESISTORS 100K IN PILOT COMPONENTS 39K IN PILOT CONSOLES FOR PICKERING CARTRIDGE





PILOT RADIO CORPORATION LONG ISLAND CITY, NEW YORK, U.S.A.			
DATE 11-10-58	APP BY R.B.	DWN BY M. BELICE	
CKD BY S.L.A.			
SCHEMATIC DIAGRAM MODEL FA-690			
DWG NO 90-159			