

# Service Manual

ORDER NO.  
**ARP2883**

STEREO AMPLIFIER

# A-204

# A-104

- Refer to the service manual ARP2852 for A-203/HEXJ.

THIS MANUAL IS APPLICABLE TO THE FOLLOWING MODEL(S) AND TYPE(S).

Type	Model		Power Requirement	The voltage can be converted by the following method.
	A-204	A-104		
HLXJ	○	○	AC 220 - 230V	AC 240V,*
SDXJ	○	○	AC 110V / 120 - 127V / 220V / 240V	With the voltage selector

\* : Alter the wiring of the Power-supply block at the primary winding of Power-transformer referring to the "Line Voltage Selection" described in Service Manual.

## CONTRAST OF MISCELLANEOUS PARTS

**NOTES:**

- Parts marked by "NSP" are generally unavailable because they are not in our Master Spare Parts List.
- The  $\triangle$  mark found on some component parts indicates the importance of the safety factor of the part. Therefore, when replacing, be sure to use parts of identical designation.
- Parts marked by "⊙" are not always kept in stock. Their delivery time may be longer than usual or they may be unavailable.

A-204/HLXJ, A-204/SDXJ and A-203/HLXJ have the same construction except for the following:

Mark	Symbol & Description	Part No.			Remarks
		A-203/HLXJ	A-204/HLXJ	A-204/SDXJ	
	Front panel	AMB2231	AMB7212	AMB7212	
	Rear panel	ANC2201	ANC7224	ANC7225	
	Operating instructions (English, Chinese)	ARE1300	ARE7047	Not used	
	Operating instructions (English, Spanish, Chinese)	Not used	Not used	ARE7048	
	Paper Protector A	AHA1660	AHA7061	AHA7061	
	Paper Protector B	AHA1661	AHA7062	AHA7062	
	Paper Protector C	AHA1662	AHA7063	AHA7063	
	Paper Protector D	Not used	AHA7064	AHA7064	
	Packing case	AHD2701	AHD7144	AHD7144	

A-104/HLXJ, A-104/SDXJ and A-103/HLXJ have the same construction except for the following:

Mark	Symbol & Description	Part No.			Remarks
		A-103/HLXJ	A-104/HLXJ	A-104/SDXJ	
	Front panel	AMB2234	AMB7211	AMB7211	
	Rear panel	ANC2202	ANC7222	ANC7223	
	Operating instructions (English, Chinese)	ARE1300	ARE7047	Not used	
	Operating instructions (English, Spanish, Chinese)	Not used	Not used	ARE7048	
	Paper Protector A	AHA1660	AHA7061	AHA7061	
	Paper Protector B	AHA1661	AHA7062	AHA7062	
	Paper Protector C	AHA1662	AHA7063	AHA7063	
	Paper Protector D	Not used	AHA7064	AHA7064	
	Packing case	AHD2702	AHD7143	AHD7143	

# Service Manual

ORDER NO.  
**ARP2893**

**STEREO AMPLIFIER**

# A-204R

- Refer to the service manual ARP2852 for A-203/HEXJ.

THIS MANUAL IS APPLICABLE TO THE FOLLOWING MODEL(S) AND TYPE(S).

Type	Model	Power Requirement	The voltage can be converted by the following method.
	A-204R		
HEXJ	○	AC 220 - 230V	AC 240V,*
HEWZXJ	○	AC 220 - 230V	AC 240V,*
HBWXJ	○	AC 230V	AC 240V,*

\* : Alter the wiring of the Power-supply block at the primary winding of Power-transformer referring to the "Line Voltage Selection" described in Service Manual.

## ● CONTRAST OF MISCELLANEOUS PARTS

### NOTES:

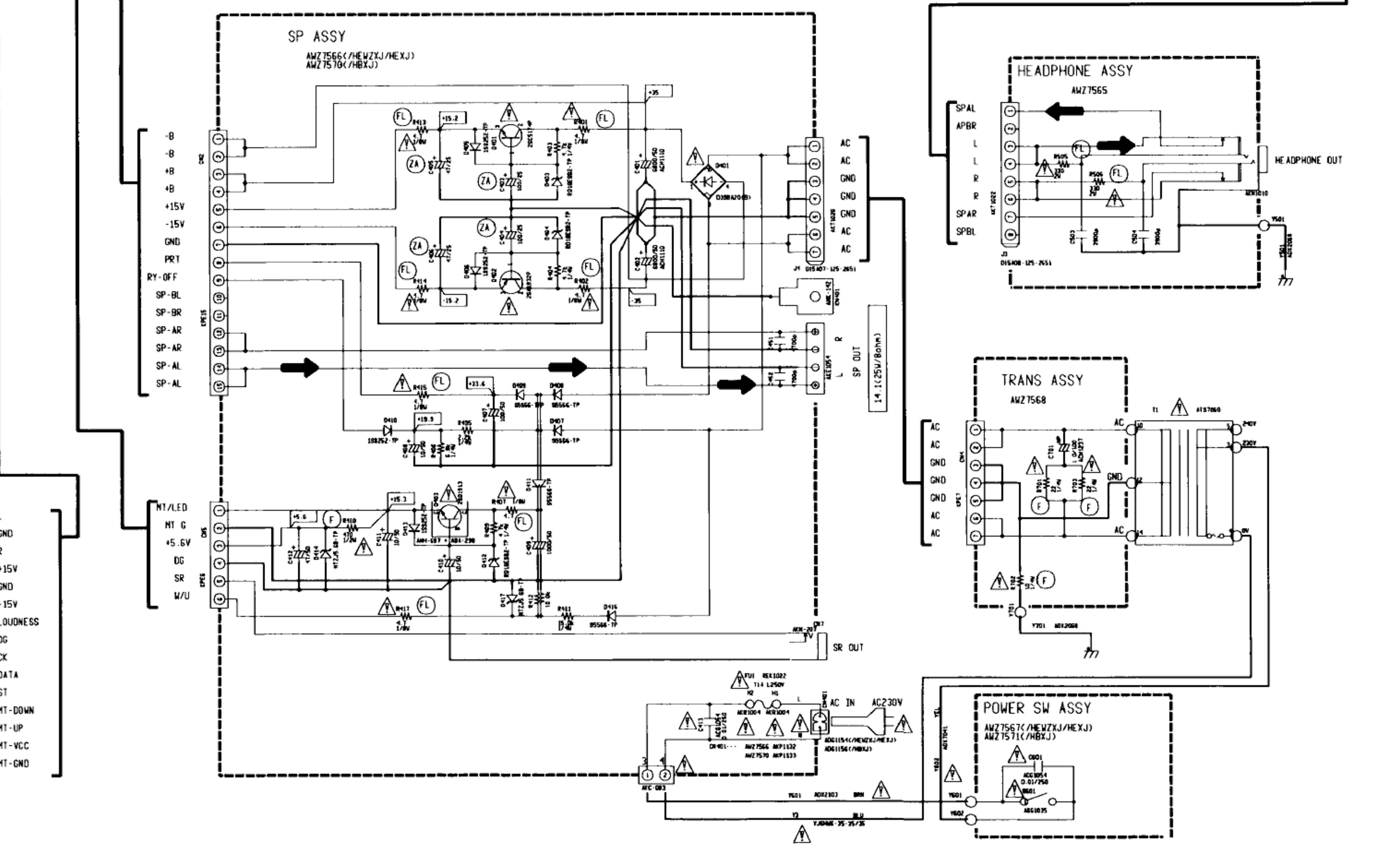
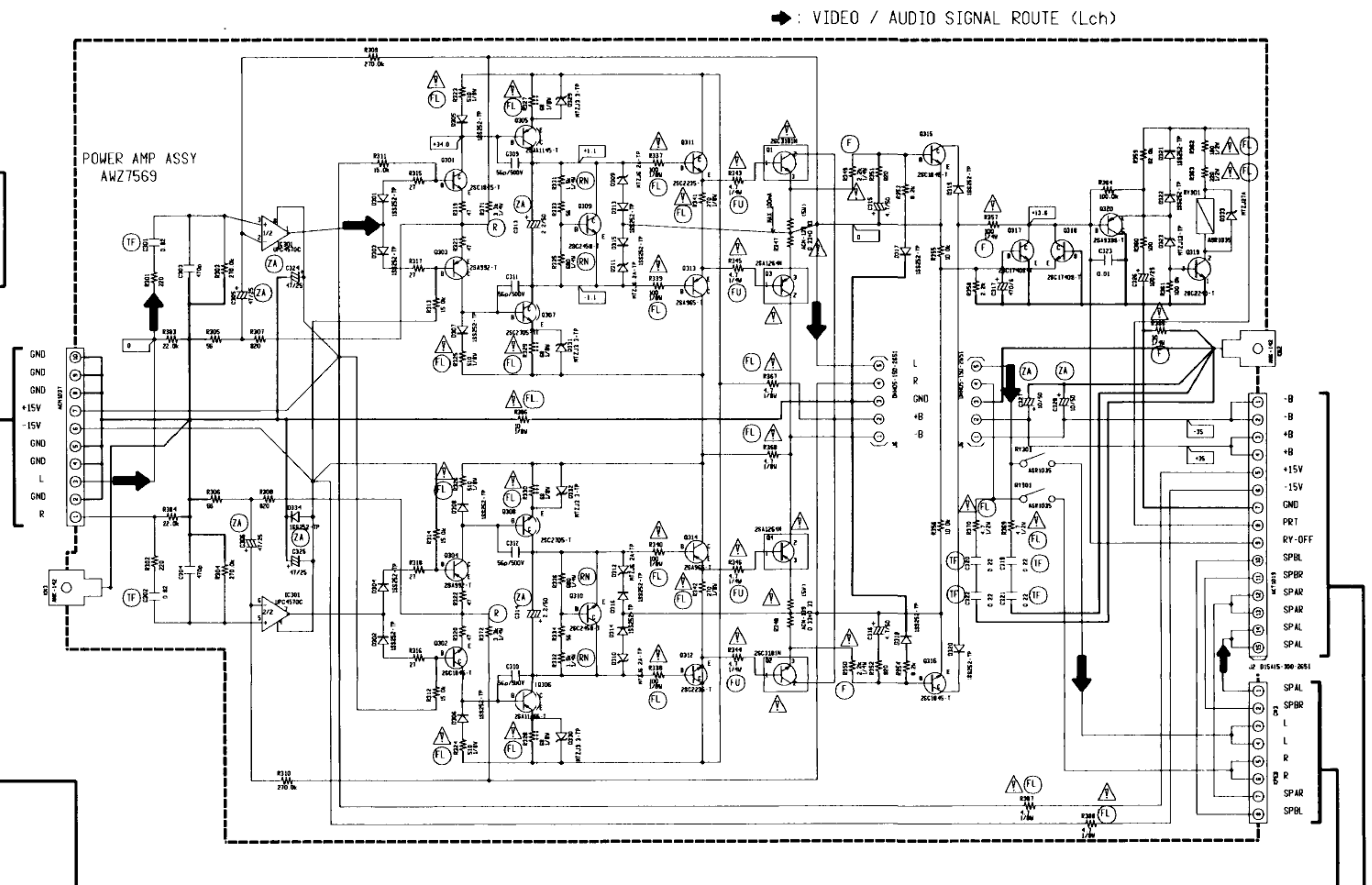
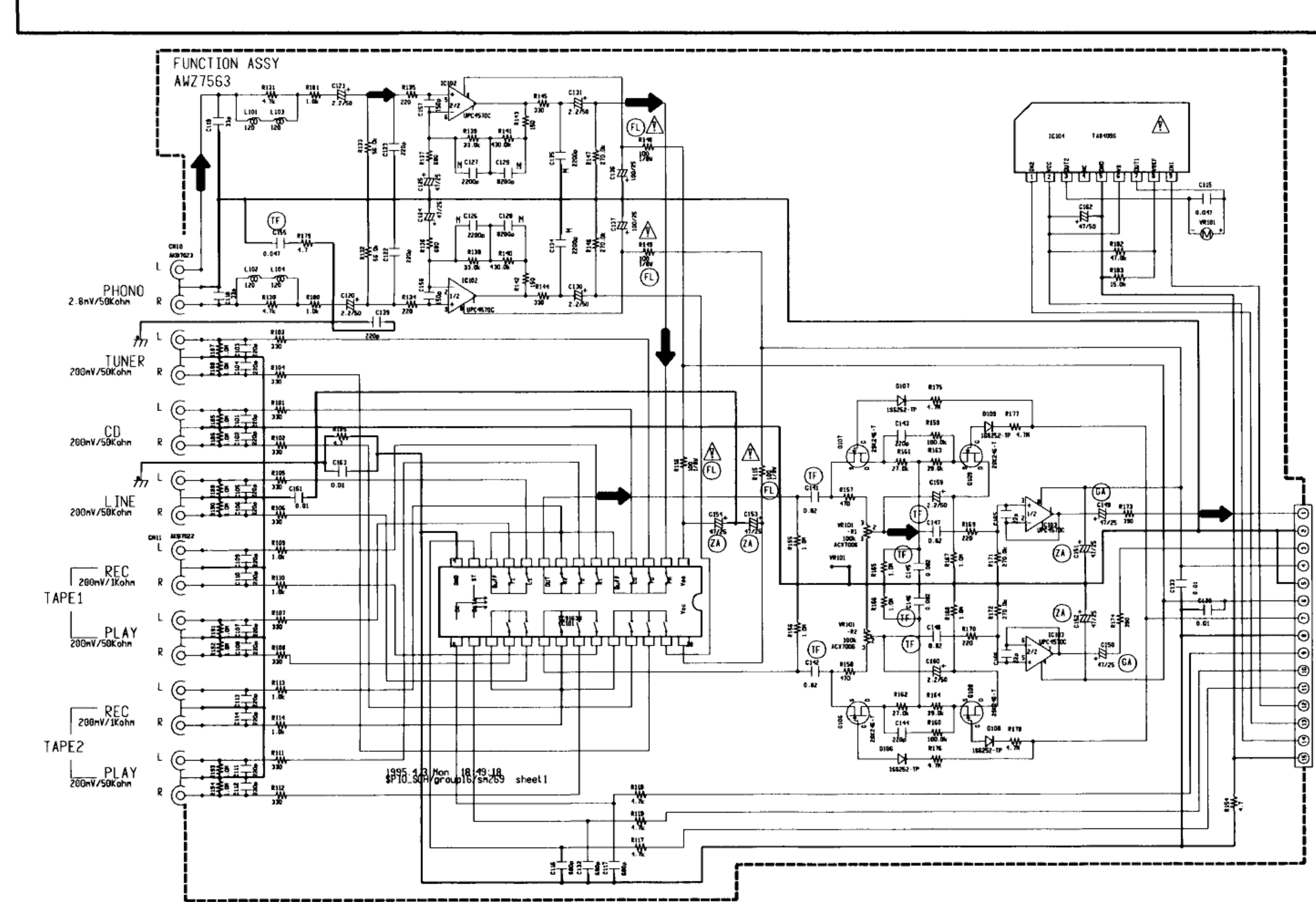
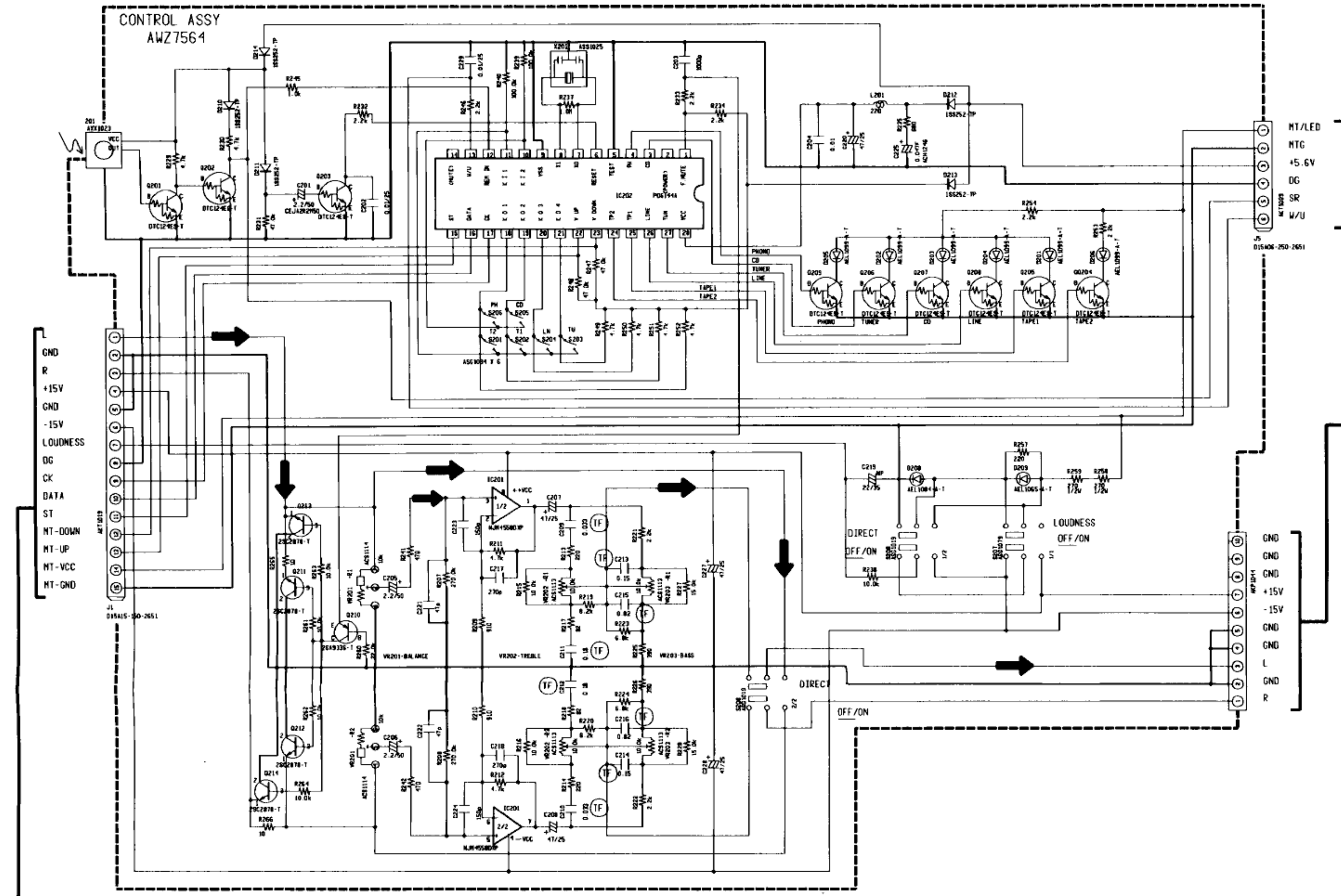
- Parts marked by "NSP" are generally unavailable because they are not in our Master Spare Parts List.
- The  $\triangle$  mark found on some component parts indicates the importance of the safety factor of the part. Therefore, when replacing, be sure to use parts of identical designation.
- Parts marked by "⊙" are not always kept in stock. Their delivery time may be longer than usual or they may be unavailable.

A-204R/HEWZXJ, A-204R/HBWXJ and A-203/HEXJ have the same construction except for the following:

Mark	Symbol & Description	Part No.				Remarks
		A-203 / HEXJ	A-204R / HEXJ	A-204R / HEWZXJ	A-204R / HBWXJ	
NSP	AF assy	AWK1787	AWK7118	AWK7118	AWK7119	
	Power transformer	ATS1538	ATS7060	ATS7060	ATS7060	
$\triangle$	FUSE FU1 (T1.25A)	REK1023	.....	.....	.....	
$\triangle$	FUSE FU1 (T1.0A)	.....	REK1022	REK1022	REK1022	
$\triangle$	Power AC cord	ADG1154	ADG1154	ADG1154	ADG1156	
$\triangle$	Remote control unit (CU-A014)	.....	AXD7049	AXD7049	AXD7049	
	Filter	.....	AAK7141	AAK7141	AAK7141	
	Wire clamp	.....	AEC7022	AEC7022	AEC7022	
	Front panel (PLS)	AMB2231	AMB7194	AMB7194	AMB7194	
	Rear panel (MET)	ANC2173	ANC7234	ANC7235	ANC7190	
NSP	Radiator	ANH1464	ANH1465	ANH1465	ANH1465	
NSP	Getter (LABEL)	.....	AAX7171	AAX7171	AAX7171	For front panel
	Holder	.....	VEC1355	VEC1355	VEC1355	
	Operating instructions (English / French / German/Italian / Swedish / Spanish / Dutch / Portuguese)	ARE1302	ARE7046	.....	.....	
	Operating instructions (German)	.....	.....	ARC7069	.....	
	Operating instructions (Spanish / German)	.....	.....	.....	ARB7046	
	Packig case	AHD2672	AHD7145	AHD7145	AHD7202	
	Paper protector A	AHA1660	AHA7061	AHA7061	AHA7061	
	Paper protector B	AHA1661	AHA7062	AHA7062	AHA7071	
	Paper protector C	AHA1662	AHA7063	AHA7063	AHA7072	
	Paper protector D	.....	AHA7064	AHA7064	AHA7073	For packing
NSP	Polyethy lene bag	.....	AHG1217	AHG1217	AHG1217	For packing
NSP	Air cap	.....	.....	.....	AHG1087	For packing



SCHEMATIC AND PCB CONNECTION DIAGRAMS



NOTE FOR SCHEMATIC DIAGRAMS (Type 1A)

- When ordering service parts, be sure to refer to "PARTS LIST of EXPLODED VIEWS" or "PCB PARTS LIST".
- Since these are basic circuits, some parts of them or the values of some components may be changed for improvement.
- RESISTORS:  
Unit: k: kΩ, M: MΩ, or Ω unless otherwise noted.  
Rated power: 1/4W, 1/6W, 1/8W, 1/10W unless otherwise noted.  
Tolerance: (F): ±1%, (G): ±2%, (K): ±10%, (M): ±20% or ±5% unless otherwise noted.
- CAPACITORS:  
Unit: p: pF or μF unless otherwise noted.  
Ratings: capacitor (μF)/voltage (V) unless otherwise noted.  
Rated voltage: 50V except for electrolytic capacitors.
- COILS:  
Unit: m: mH or μH unless otherwise noted.
- VOLTAGE AND CURRENT:  
V: Signal voltage at rated output.  
V or - V: DC voltage (V) at no input signal unless otherwise noted. Value in ( ) is DC voltage at rated power.  
mA or - mA: DC current at no input signal unless otherwise noted.
- OTHERS:  
⊙ or ⊙: Adjusting point.  
◀: Measurement point.  
The ▲ mark found on some component parts indicates the importance of the safety factor of the parts. Therefore, when replacing, be sure to use parts of identical designation.
- SCH-□ ON THE SCHEMATIC DIAGRAM:  
• SCH-□ indicates the drawing number of the schematic diagram. (SCH stands for schematic diagram.)
- SWITCHES (Underline indicates switch position):  
CONTROL ASSY  
S201: TAPE2  
S202: TAPE1  
S203: TUNER  
S204: LINE  
S205: CD  
S206: PHONO  
S207: LOUDNESS OFF/ON  
S208: DIRECT OFF/ON  
POWER SW ASSY  
S601: POWER