

# Service Manual

ORDER NO.  
RRV1913

## STEREO AMPLIFIER **A-107**

● Refer to the service manual RRV1935 for A-207/MLXJ.

THIS MANUAL IS APPLICABLE TO THE FOLLOWING MODEL(S) AND TYPE(S).

Type	Model	Power Requirement	Remarks
	A-107		
MLXJ	○	AC220-230V	
MYXJ/EW	○	AC220-230V	
MYXJ/GR	○	AC220-230V	
MVXJ	○	AC220-230V	
YPWXJ	○	AC240V	

## CONTENTS

1. CONTRAST OF MISCELLANEOUS PARTS .....	2
2. SCHEMATIC DIAGRAM .....	6

# 1. CONTRAST OF MISCELLANEOUS PARTS

- NOTES :
- Parts marked by “ NSP ” are generally unavailable because they are not in our Master Spare Parts List.
  - The  $\Delta$  mark found on some component parts indicates the importance of the safety factor of the part. Therefore, when replacing, be sure to use parts of identical designation.
  - Reference Nos. indicate the pages and Nos. in the service manual for the base model.
  - When ordering resistors, first convert resistance values into code form as shown in the following examples.
- Ex. 1 When there are 2 effective digits (any digit apart from 0), such as 560 ohm and 47k ohm (tolerance is shown by J = 5%, and K = 10%).
- 560  $\Omega$   $\rightarrow$  56  $\times$  10<sup>1</sup>  $\rightarrow$  561 ..... RD1/4PU  $\boxed{5} \boxed{6} \boxed{1} J$   
 47k  $\Omega$   $\rightarrow$  47  $\times$  10<sup>3</sup>  $\rightarrow$  473 ..... RD1/4PU  $\boxed{4} \boxed{7} \boxed{3} J$   
 0.5  $\Omega$   $\rightarrow$  R50 ..... RN2H  $\boxed{R} \boxed{5} \boxed{0} K$   
 1  $\Omega$   $\rightarrow$  1R0 ..... RS1P  $\boxed{1} \boxed{R} \boxed{0} K$
- Ex. 2 When there are 3 effective digits (such as in high precision metal film resistors).
- 5.62k  $\Omega$   $\rightarrow$  562  $\times$  10<sup>1</sup>  $\rightarrow$  5621 ..... RN1/4PC  $\boxed{5} \boxed{6} \boxed{2} \boxed{1} F$

## ■ CONTRAST TABLE

A-107/MLXJ, MYXJ/EW, MYXJ/GR and A-207/MLXJ are constructed the same except for the following:

Ref. No.	Mark	Symbol and Description	Part No.				Remarks
			A-207	A-107			
			MLXJ	MLXJ	MYXJ/EW	MYXJ/GR	
P5 - 2 P5 - 1	NSP	<b>PCB ASSEMBLIES</b>					
		CONTROL ASSY	AWG7012	AWG7011	AWG7011	AWG7011	
		├ FRONT R ASSY	AWX7121	AWX7121	AWX7121	AWX7121	*
└ FRONT L ASSY	AWX7122	AWX7120	AWX7120	AWX7120			
P5 - 6 P5 - 4	NSP	AF COMPLEX ASSY	AWM7355	AWM7353	AWM7353	AWM7353	
		├ VOLUME ASSY	AWX7112	AWX7112	AWX7112	AWX7112	
P5 - 5 P5 - 7	NSP	├ AC PRIMARY ASSY	AWX7113	AWX7113	AWX7113	AWX7113	
		├ HEADPHONE ASSY	AWX7114	AWX7114	AWX7114	AWX7114	*
		└ AF ASSY	AWX7116	AWX7111	AWX7111	AWX7111	
P3 - 1		<b>PACKING</b>					
		Operating Instructions	ARE7158	ARE7158	Not used	Not used	
		(English/Spanish/Chinese)					
P3 - 1		Operating Instructions (English)	Not used	Not used	ARB7137	Not used	
P3 - 1		Operating Instructions (German)	Not used	Not used	ARC7178	ARC7178	
P3 - 1		Operating Instructions	Not used	Not used	ARC7179	Not used	
		(French/Spanish/Italian/Dutch/ Swedish/Portuguese)					
P3 - 5	NSP	Packing Case	AHD7562	AHD7560	AHD7559	AHD7559	
		Warranty Card	Not used	Not used	ARY7009	ARY7009	
P5 - 8 P5 - 8	$\Delta$	<b>EXTERIOR SECTION</b>					
		Fuse (FU1 : 1.25A)	REK1023	Not used	Not used	Not used	
P5 - 11	$\Delta$	Fuse (FU1 : 0.8A)	Not used	REK1021	REK1021	REK1021	
P5 - 13	$\Delta$	Power Transformer	ATS7190	ATS7192	ATS7192	ATS7192	
		(T1 : AC220-230V)					
P5 - 14		Rear Panel	ANC7642	ANC7637	ANC7620	ANC7620	
P5 - 16		Insulator	AMR7198	AMR7198	PNW2766	PNW2766	
P5 - 38		Screw	ABA1027	BBZ30P080FZK	BBZ30P080FZK	BBZ30P080FZK	
		Front Panel	AMB7492	AMB7491	AMB7491	AMB7491	

Note \*: Refer to “ ■ CONTRAST OF PCB ASSEMBLIES ” and “ 2. SCHEMATIC DIAGRAM ”.

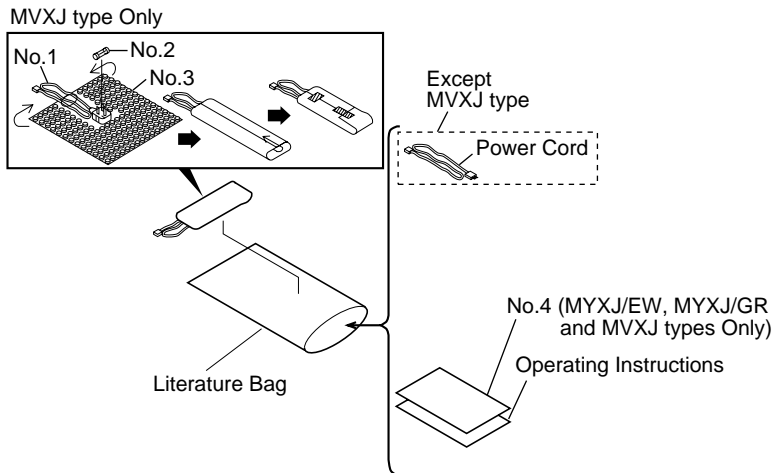
A-107/MVXJ, YPWXJ, and A-207/MLXJ are constructed the same except for the following:

Ref. No.	Mark	Symbol and Description	Part No.			Remarks
			A-207	A-107		
			MLXJ	MVXJ	YPWXJ	
P5 - 2 P5 - 1	NSP	<b>PCB ASSEMBLIES</b> CONTROL ASSY └ FRONT R ASSY └ FRONT L ASSY	AWG7012 AWX7121 AWX7122	AWG7011 AWX7121 AWX7120	AWG7011 AWX7121 AWX7120	*1
P5 - 6 P5 - 4 P5 - 5 P5 - 7	NSP	AF COMPLEX ASSY └ VOLUME ASSY └ AC PRIMARY ASSY NSP └ HEADPHONE ASSY └ AF ASSY	AWM7355 AWX7112 AWX7113 AWX7114 AWX7116	AWM7353 AWX7112 AWX7113 AWX7114 AWX7111	AWM7353 AWX7112 AWX7113 AWX7114 AWX7111	*1
P3 - 1		<b>PACKING</b> Operating Instructions (English/Spanish/Chinese)	ARE7158	Not used	Not used	
P3 - 1 P3 - 5 P3 - 9		Operating Instructions (English) Packing Case Power Cord	Not used AHD7562 ADG1154	ARB7137 AHD7559 Not used	ARB7137 AHD7560 ADG1160	
	⚠	Power Cord with Fuse	Not used	ADG1156	Not used	*2, No.1
	⚠	Fuse (T5A)	Not used	AEK1046	Not used	*2, No.2
	NSP	Air Cap	Not used	AHG1087	Not used	*2, No.3
	NSP	Warranty Card	Not used	ARY7009	PRY1003	*2, No.4
P5 - 8 P5 - 8 P5 - 11 P5 - 11 P5 - 13	⚠ ⚠ ⚠ ⚠	<b>EXTERIOR SECTION</b> Fuse (FU1 : 1.25A) Fuse (FU1 : 0.8A) Power Transformer (T1 : AC220-230V) Power Transformer (T1 : AC240V) Rear Panel	REK1023 Not used ATS7190 Not used ANC7642	Not used REK1021 ATS7192 Not used ANC7620	Not used REK1021 Not used ATS7193 ANC7638	
P5 - 14 P5 - 16 P5 - 38		Insulator Screw Front Panel	AMR7198 ABA1027 AMB7492	PNW2766 BBZ30P080FZK AMB7491	AMR7198 BBZ30P080FZK AMB7491	

Note \*1: Refer to “ ■ CONTRAST OF PCB ASSEMBLIES ” and “ 2. SCHEMATIC DIAGRAM ”.

\*2: Refer to “ ■ EXPLODED VIEWS ”.

## ■ EXPLODED VIEWS



■ CONTRAST OF PCB ASSEMBLIES

**DF** AF ASSY

AWX7111 and AWX7116 are constructed the same except for the following:

Mark	Symbol and Description	Part No.		Remarks
		AWX7116	AWX7111	
⚠	Q335, Q336 D402 D451 RY402 C301, C302, C305, C306	DTC143ES 1SS355 D5SBA20 ASR7014 CEBA100M50	Not used Not used D3SBA20 Not used CEAT100M50	
⚠ ⚠	C307, 308 C331 C332 C451	CEBA221M25 CCCS101K2H CKCYB331K2H ACH7080 (6800µF/42V)	CEAT221M25 Not used Not used ACH7082 (4700µF/42V)	
	C452	ACH7081 (6800µF/42V)	ACH7083 (4700µF/42V)	
	R301, R302 R303, R304 R313, R314	RDR1/4VM240J RDR1/4VM561J Not used	Not used Not used RS1/10S240J	
	R315, R316 401 SPERKER TERMINAL HEAT SINK	Not used AKE1011 (8P) ANH1021	RS1/10S561J AKE1054 (4P) Not used	

**EF** FRONT L ASSY

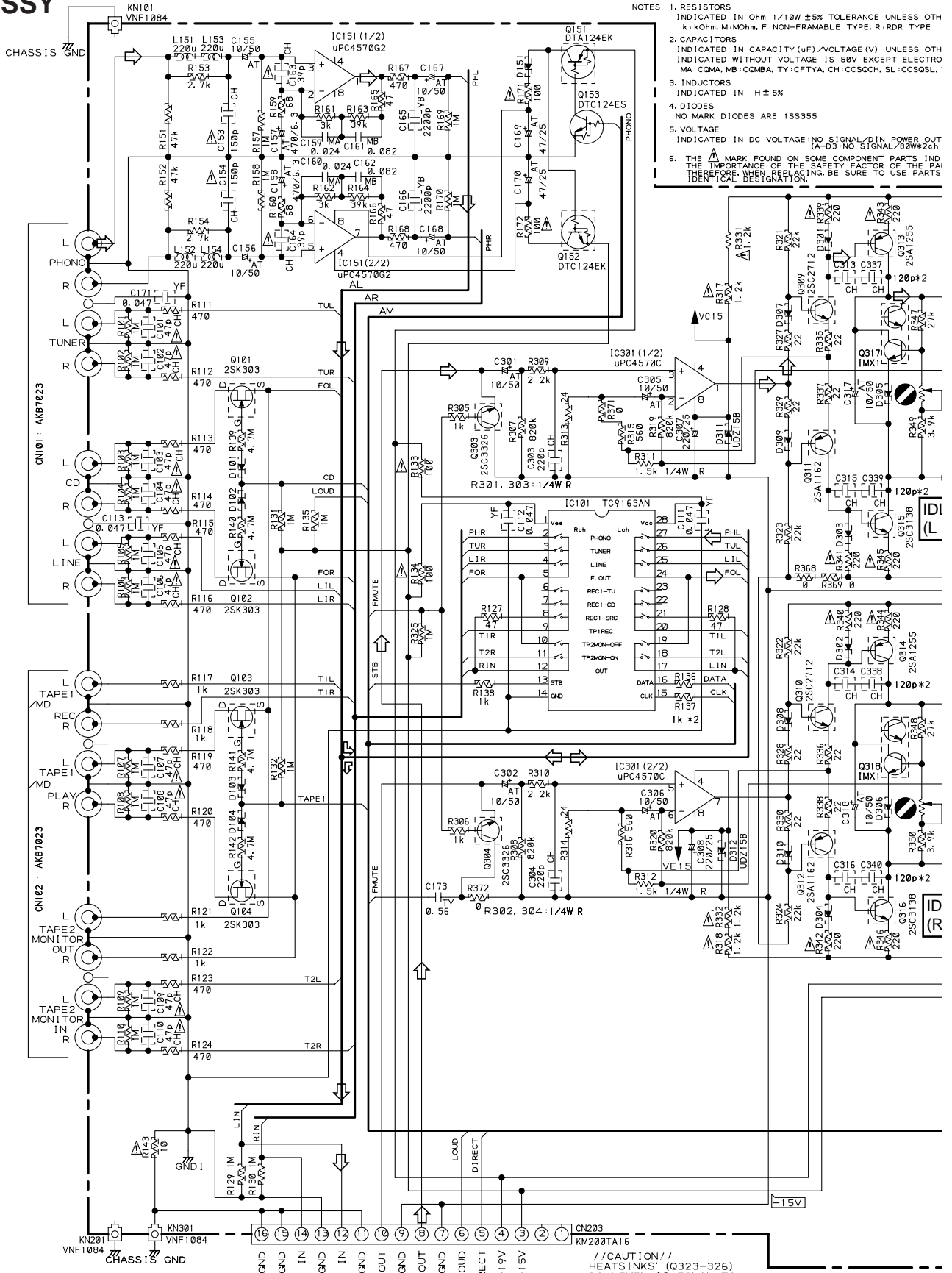
AWX7120 and AWX7122 are constructed the same except for the following:

Mark	Symbol and Description	Part No.		Remarks
		AWX7122	AWX7120	
	Q703 D702 D703, D705 S701 S703, S704	DTC124EK Not used SLP9118C51H Not used ASG1034	Not used SLP9118C51H Not used ASG1034 Not used	
	R705	RS1/10S271J	Not used	



# 2. SCHEMATIC DIAGRAM

## 2.1 AF ASSY



- NOTES
1. RESISTORS INDICATED IN Ohm 1/10W ±5% TOLERANCE UNLESS OTHERWISE SPECIFIED. k: kOhm, M: MOhm, F: NON-FRAMEABLE TYPE, R: RDR TYPE
  2. CAPACITORS INDICATED IN CAPACITY (uF) VOLTAGE (V) UNLESS OTHERWISE SPECIFIED. WITHOUT VOLTAGE IS 50V EXCEPT ELECTROLYTIC: MA: COMA, MB: COMBA, TY: CFTVA, CH: CCSOCH, SL: CCSOSSL.
  3. INDUCTORS INDICATED IN H ± 5%
  4. DIODES NO MARK DIODES ARE 1SS355
  5. VOLTAGE INDICATED IN DC VOLTAGE-NO SIGNAL/D IN POWER OUT (A-D) NO SIGNAL/80W\*2ch
  6. THE  $\Delta$  MARK FOUND ON SOME COMPONENT PARTS INDICATES THE IMPORTANCE OF THE SAFETY FACTOR OF THE PART THEREFORE, WHEN REPLACING, BE SURE TO USE PARTS IDENTICAL DESIGNATION.

//CAUTION//  
 HEATSINKS' (Q323-326)  
 DC LEVEL IS EQUAL TO  
 +B OR -B.  
 DON'T TOUCH OR YOU WILL  
 BE ELECTRICAL SHOCKED.



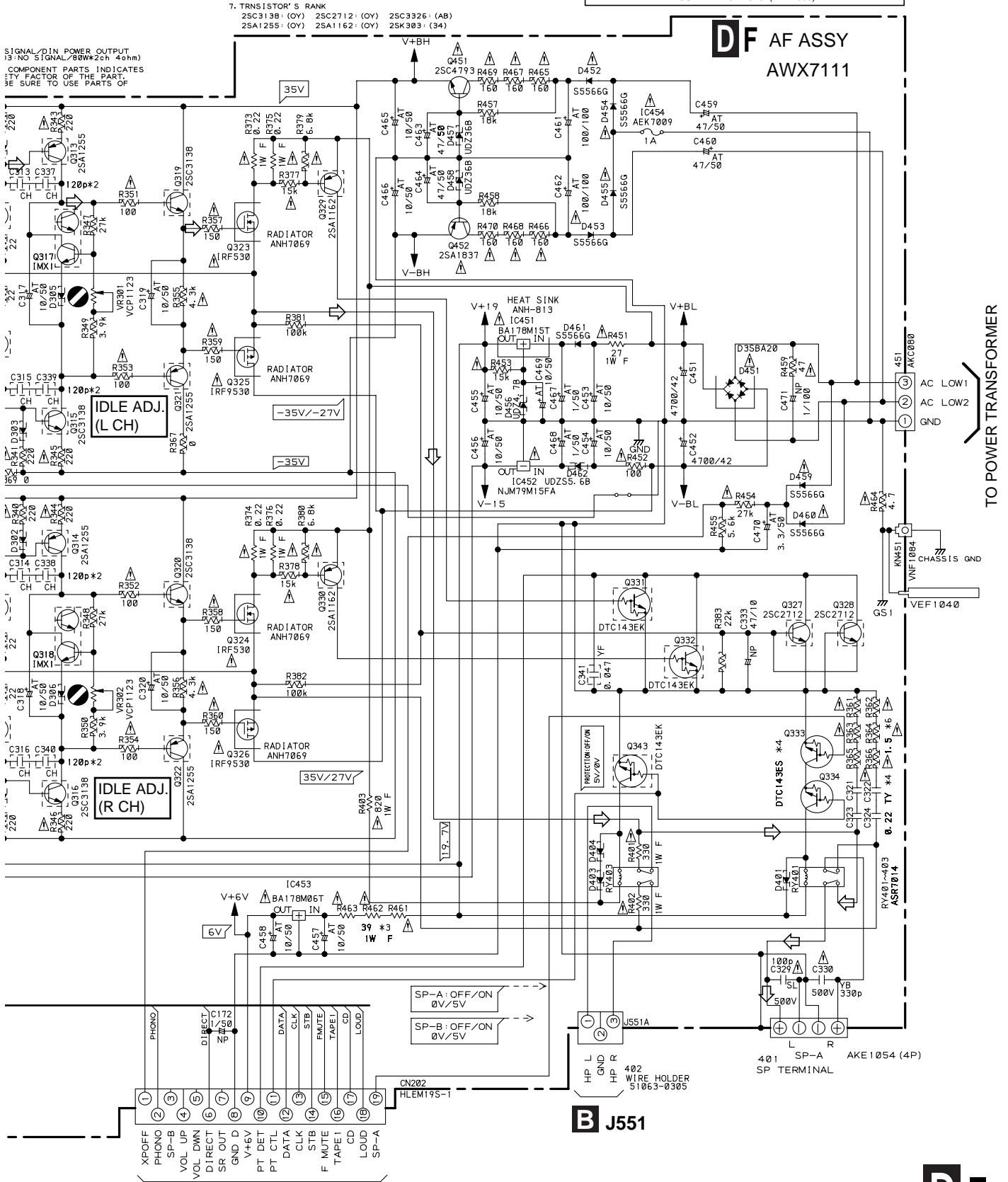
Note : When ordering service parts, be sure to refer to "EXPLODED VIEWS and PARTS LIST" or "PCB PARTS LIST".

TOLERANCE UNLESS OTHERWISE NOTED  
LE TYPE, R:RDR TYPE

⇒ : AUDIO SIGNAL ROUTE

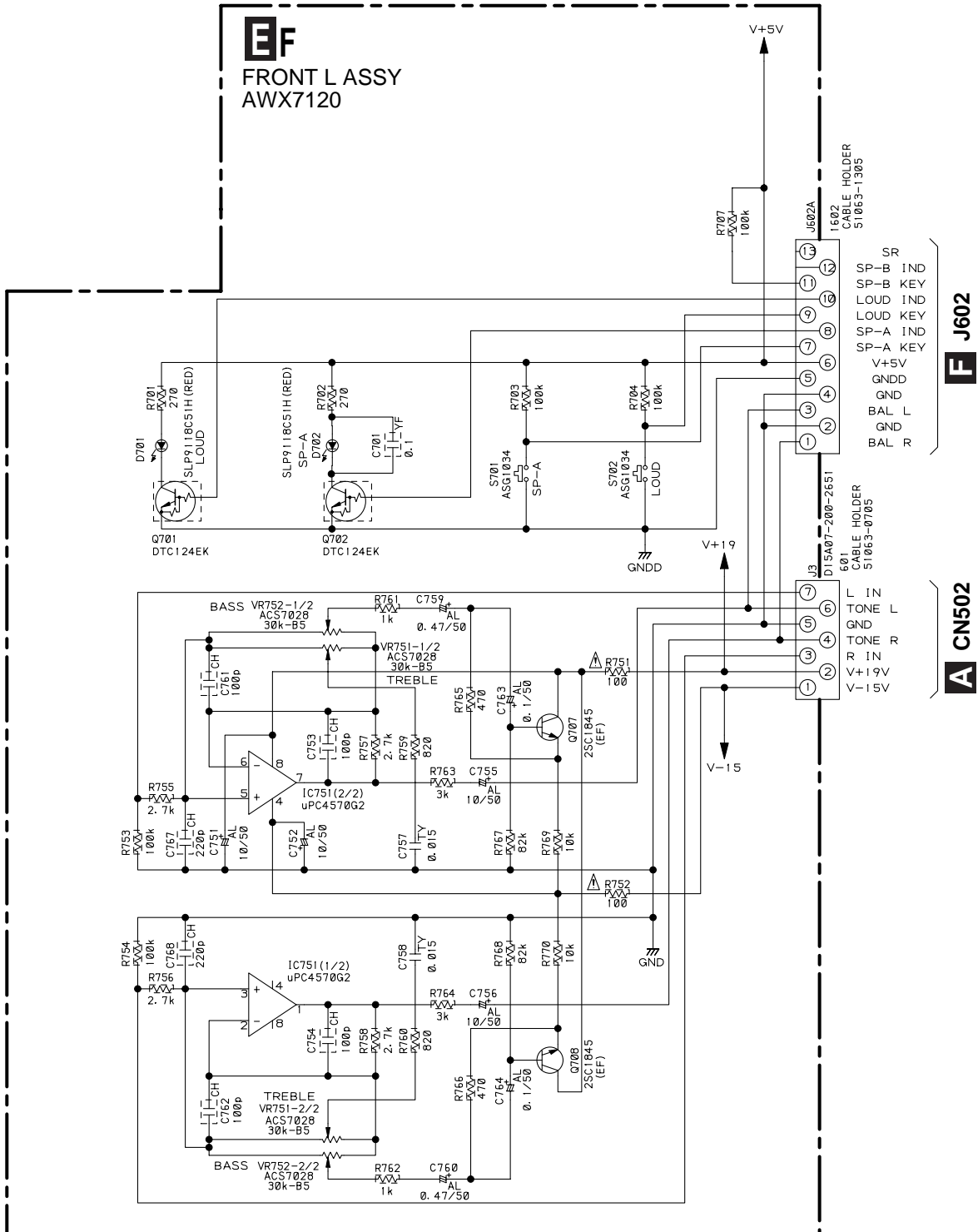
VOLTAGE (V) UNLESS OTHERWISE NOTED  
5 50V EXCEPT ELECTROLYTIC CAPACITOR.  
CH: CCSQCH, CL: CCSQSL, YB: CKSQYB, YF: CKSQYF

CAUTION : FOR CONTINUED PROTECTION AGAINST RISK OF FIRE.  
REPLACE ONLY WITH SAME TYPE NO. 491001 MFD, BY  
LITTELFUSE INK. FOR IC454(AEK7009).



A  
B  
C  
D

2.2 FRON L ASSY



**EF**  
FRONT L ASSY  
AWX7120

**F J602**

- SR
- SP-B IND
- SP-B KEY
- LOUD IND
- LOUD KEY
- SP-A IND
- SP-A KEY
- V+5V
- GNDD
- GND
- BAL L
- GND
- BAL R

**A CN502**

- L IN
- TONE L
- GND
- TONE R
- R IN
- V+19V
- V-15V

FRONT L ASSY  
S701 : SPEAKER A  
S702 : LOUDNESS