

# Service Manual

サービス管理部  
サービス技術課

ORDER NO.  
ARP2732

STEREO AMPLIFIER

# A-202

## A-102

● Refer to the service manual ARP2508 for A-201.

A-202 AND A-102 HAVE THE FOLLOWING:

Type	Model		Power Requirement	Remarks
	A-202	A-102		
HEWZ	○	○	AC220 - 230V, 240V (switchable)*	
HE	○	○	AC220 - 230V, 240V (switchable)*	
HB	○	○	AC220 - 230V, 240V (switchable)*	
HL	○	○	AC220 - 230V, 240V (switchable)*	
YPW	-	○	AC240V only	
SD	○	○	AC110V, 120 - 127V, 220V, 240V (switchable)	

\*Change the connection of the power transformer's primary wiring.

● This manual is applicable to the following: A-202/HEWZ, HE, HB, HL and SD; A-102/HEWZ, HE, HB, HL, YPW and SD.

**1. FOR A-202/HEWZ, HE, HB, HL AND SD TYPES**

**NOTES:**

- Parts marked by "NSP" are generally unavailable because they are not in our Master Spare Parts List.
- ▲ The ▲ mark found on some component parts indicates the importance of the safety factor of the part. Therefore, when replacing, be sure to use parts of identical designation.
- Parts marked by "●" are not always kept in stock. Their delivery time may be longer than usual or they may be unavailable.

**1.1 CONTRAST OF MISCELLANEOUS PARTS**

**A-202/HEWZ, HE, HB, HL, SD and A-201/HEWZ have the same construction except for the following:**

Mark	Symbol&Description	Part No.						Remarks
		A-201/HEWZ	A-202/HEWZ	A-202/HE	A-202/HB	A-202/HL	A-202/SD	
●	AF ASSY	AWZ2356	AWZ2356	AWZ2357	AWZ2357	AWZ2357	AWZ2460	
NSP	SP SW ASSY	AWZ2364	AWZ2364	AWZ2365	AWZ2365	AWZ2365	AWZ2365	
▲	AC Power cord	ADG1049	ADG1049	ADG1049	ADG1118	ADG1049	ADG1051	
▲	AC socket 3 - P	.....	.....	.....	.....	.....	AKP - 515	
▲	Voltage selector	.....	.....	.....	.....	.....	AKX - 507	For the rear panel
▲	FU2 Fuse(1.25A/250V)	.....	.....	.....	.....	.....	AEK - 509	For AF assy
▲	Power transformer (AC 220 - 230/240V)	ATS1338	ATS1338	ATS1338	ATS1338	ATS1338	.....	
▲	Power transformer (AC 110/120 - 127/220/ 240V)	.....	.....	.....	.....	.....	ATS1190	
▲	R10 Carbon film resistor	RD1/4PMF4R7J	RD1/4PMF4R7J	.....	.....	.....	.....	
NSP	Name plate	AAL1947	AAL2079	AAL2080	AAL2081	AAL2083	AAL2082	
	Name plate (metal)	AAM1029	AAM1058	AAM1058	AAM1058	AAM1058	AAM1058	
	Packing case	AHD2271	AHD2558	AHD2558	AHD2559	AHD2558	AHD2560	
	Front panel	ANB1522	ANB1562	ANB1562	ANB1562	ANB1562	ANB1562	
NSP	Rear panel	ANC1365	ANC2099	ANC2099	ANC2099	ANC2099	ANC2100	
	Insulator ASSY	AMR2140	AMR2140	AMR2140	AMR2140	AMR2140	AMR2141	
	Operating instructions (English)	.....	.....	.....	ARB1437	ARB1437	ARB1437	
	Operating instructions (Spanish)	.....	.....	.....	.....	.....	ARC1432	
	Operating instructions (German)	ARC1354	ARC1430	.....	.....	.....	.....	
	Operating instructions (English/German/French/ Italian/Swedish/Dutch/ Spanish/Portuguese)	.....	.....	ARE1284	.....	.....	.....	
	Spacer	.....	.....	.....	AHB1109	.....	.....	*1

\*1: See page 3

**AF ASSY**

AWZ2357, AWZ2460 and AWZ2356 have the same construction except for the following:

Mark	Symbol&Description	Part No.			Remarks
		AWZ2356	AWZ2357	AWZ2460	
	C3	CQMXA104J100	ACG1005	ACG1005	
	C151,C152,C155,C156, C159 - C162	CKDYB391K50	.....	.....	
	C215,C216	CKDYB391K50	CCDSL221J50	CCDSL221J50	
	C231,C232	CKCYB222K50	.....	.....	
	C251,C252	CKDYB391K50	.....	.....	
	C409,C410	CCDSL050C50	CCDSL020C50	CCDSL020C50	
	C419,C420	CCDSL101J50	CCDSL151J50	CCDSL151J50	
	C421	CKCYF103Z50	.....	.....	
	C951 - C955	CKDYB472K50	.....	.....	
	L951 - L954	ATH - 133	.....	.....	
	R151 - R158	RD1/8PM102J	.....	.....	
	R201,R202	RD1/8PM152J	RD1/8PM331J	RD1/8PM331J	
	R217,R218	RD1/8PM221J	RD1/8PM181J	RD1/8PM181J	

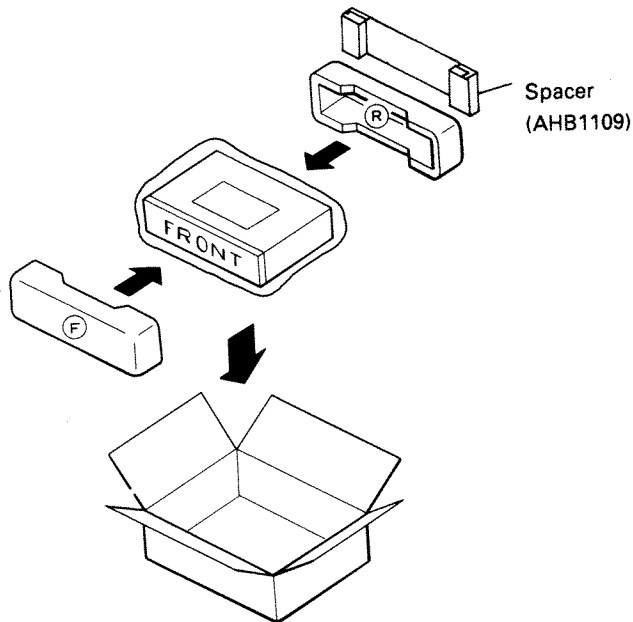
**SP SW ASSY**

AWZ2365 and AWZ2364 have the same construction except for the following:

Mark	Symbol&Description	Part No.		Remarks
		AWZ2364	AWZ2365	
	C751,C752	CKDYB392K50	.....	
	R751,R752	RD1/2PMF681J	.....	

**●Packing**

(For A-202/HB)



**2. FOR A-102/HEWZ, HE, HB, HL ,YPW AND SD TYPES**

**2.1 CONTRAST OF MISCELLANEOUS PARTS**

**A-102/HEWZ, HE, HB, HL, YPW, SD and A-101/YPW are the same construction except for the following:**

Mark	Symbol&Description	Part No.							Remarks
		A-101/YPW	A-102/HEWZ	A-102/HE	A-102/HB	A-102/HL	A-102/YPW	A-102/SD	
●	AF ASSY	AWZ2359	AWZ2358	AWZ2359	AWZ2359	AWZ2359	AWZ2359	AWZ2461	
NSP	HEADPHONE ASSY	AWZ2367	AWZ2366	AWZ2367	AWZ2367	AWZ2367	AWZ2367	AWZ2367	
△	AC Power cord	ADG1050	ADG1049	ADG1049	ADG1118	ADG1049	ADG1123	ADG1051	
△	Voltage selector	.....	.....	.....	.....	.....	.....	AKX - 507	For the rear panel
△	Power transformer (AC 220 - 230/240V)	ATS1339	ATS1339	ATS1339	ATS1339	ATS1339	ATS1339	.....	
△	Power transformer (AC 110/120 - 127/220/ 240V)	.....	.....	.....	.....	.....	.....	ATS1192	
△	AC soket 3 - P	.....	.....	.....	.....	.....	.....	AKP - 515	
△	FU2 Fuse (T800mA/250V)	.....	.....	.....	.....	.....	.....	AEK - 507	For AF assy
	R10 Carbon film resistor	.....	RD1/4PMF4R7J	.....	.....	.....	.....	.....	
NSP	Name plate	AAL1952	AAL2084	AAL2085	AAL2086	AAL2088	AAL2086	AAL2087	
	Name plate (metal)	AAM1029	AAM1058	AAM1058	AAM1058	AAM1058	AAM1058	AAM1058	
	Packing case	AHD2272	AHD2561	AHD2561	AHD2562	AHD2561	AHD2562	AHD2563	
	Front panel	ANB1523	ANB1563	ANB1563	ANB1563	ANB1563	ANB1563	ANB1563	
NSP	Rear panel	ANC1363	ANC2101	ANC2101	ANC2101	ANC2101	ANC2101	ANC2102	
	Insulator ASSY	.....	AMR2140	AMR2140	AMR2140	.....	.....	.....	For Leg assembly
	Leg assembly	AEC - 784	.....	.....	.....	AEC - 784	AEC - 784	AEC - 784	
	Operating instructions (English)	ARB1372	.....	.....	ARB1437	ARB1437	ARB1437	ARB1437	
	Operating instructions (Spanish)	.....	.....	.....	.....	.....	.....	ARC1432	
	Operating instructions (German)	.....	ARC1430	.....	.....	.....	.....	.....	
	Operating instructions (English/German/French/ Italian/Swedish/Datch/ Spanish/Portuguese)	.....	.....	ARE1284	.....	.....	.....	.....	
	Spacer	.....	.....	.....	AHB1109	.....	AHB1109	.....	*2

\*2: See page 3, packing for A-202/HB.

**AF ASSY**

**AWZ2358 , AWZ2461 and AWZ2359 have the same construction except for the following:**

Mark	Symbol&Description	Part No.			Remarks
		AWZ2359	AWZ2358	AWZ2461	
	C3	ACG1005	COMXA104J100	ACG1005	
	C151,C152,C155,C156, C159 - C162	.....	CKDYB391K50	.....	
	C215,C216	CCDSL221J50	CKDYB391K50	CCDSL221J50	
	C231,C232	.....	CKCYB222K50	.....	
	C251,C252	.....	CKDYB391K50	.....	
	C407,C408	CEAS101M10	CEXA101M25	CEAS101M10	
	C421	.....	CKCYF103Z50	.....	
	C953 - C955	.....	CKDYB472K50	.....	
	L953,L954	.....	ATH - 133	.....	
	R151 - R158	.....	RD1/8PM102J	.....	
	R201,R202	RD1/8PM331J	RD1/8PM152J	RD1/8PM331J	
	R217,R218	RD1/8PM181J	RD1/8PM221J	RD1/8PM181J	
	R951,R952	.....	RD1/2PMF681J	.....	

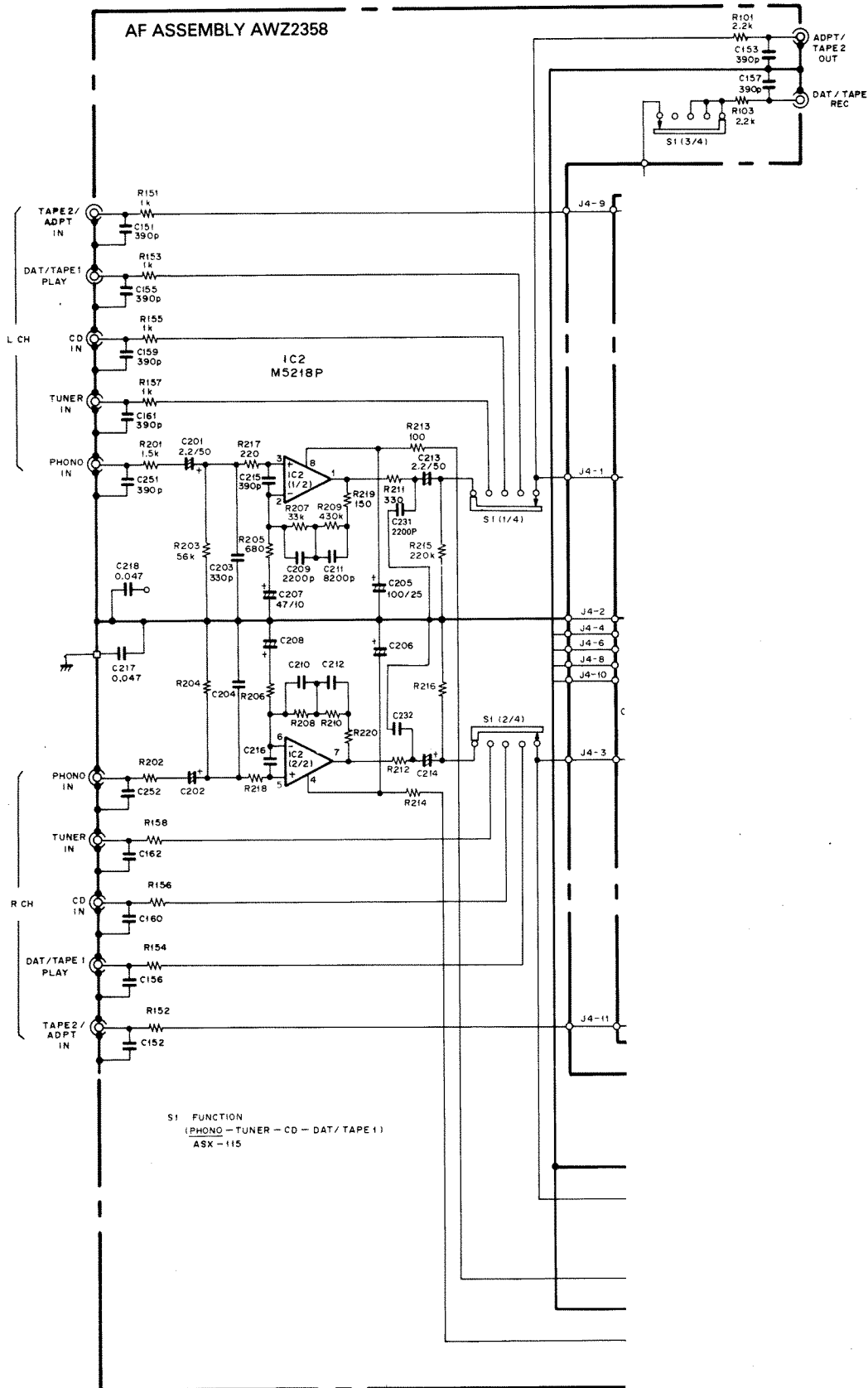
**HEADPHONE ASSY**

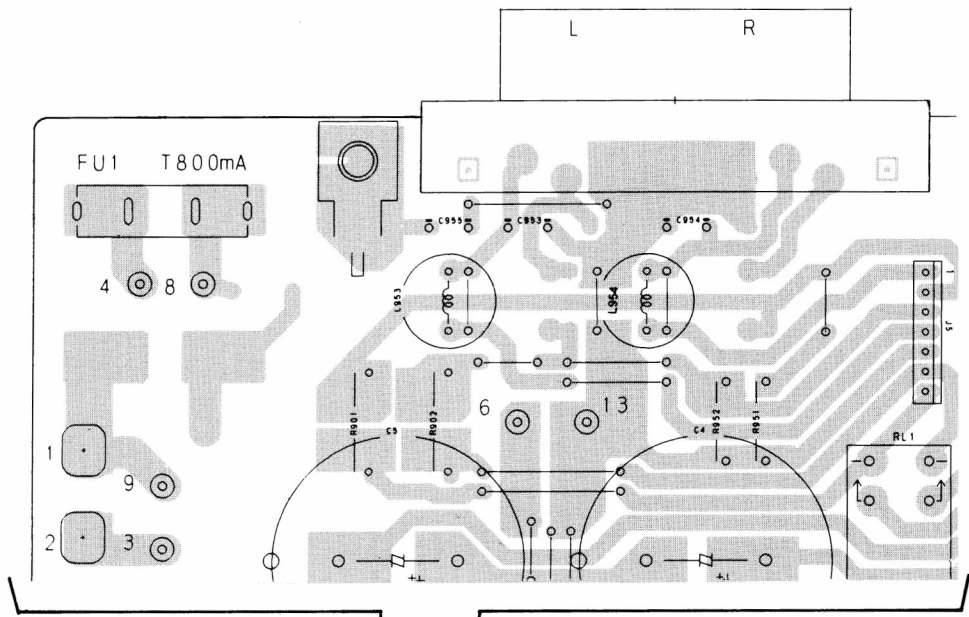
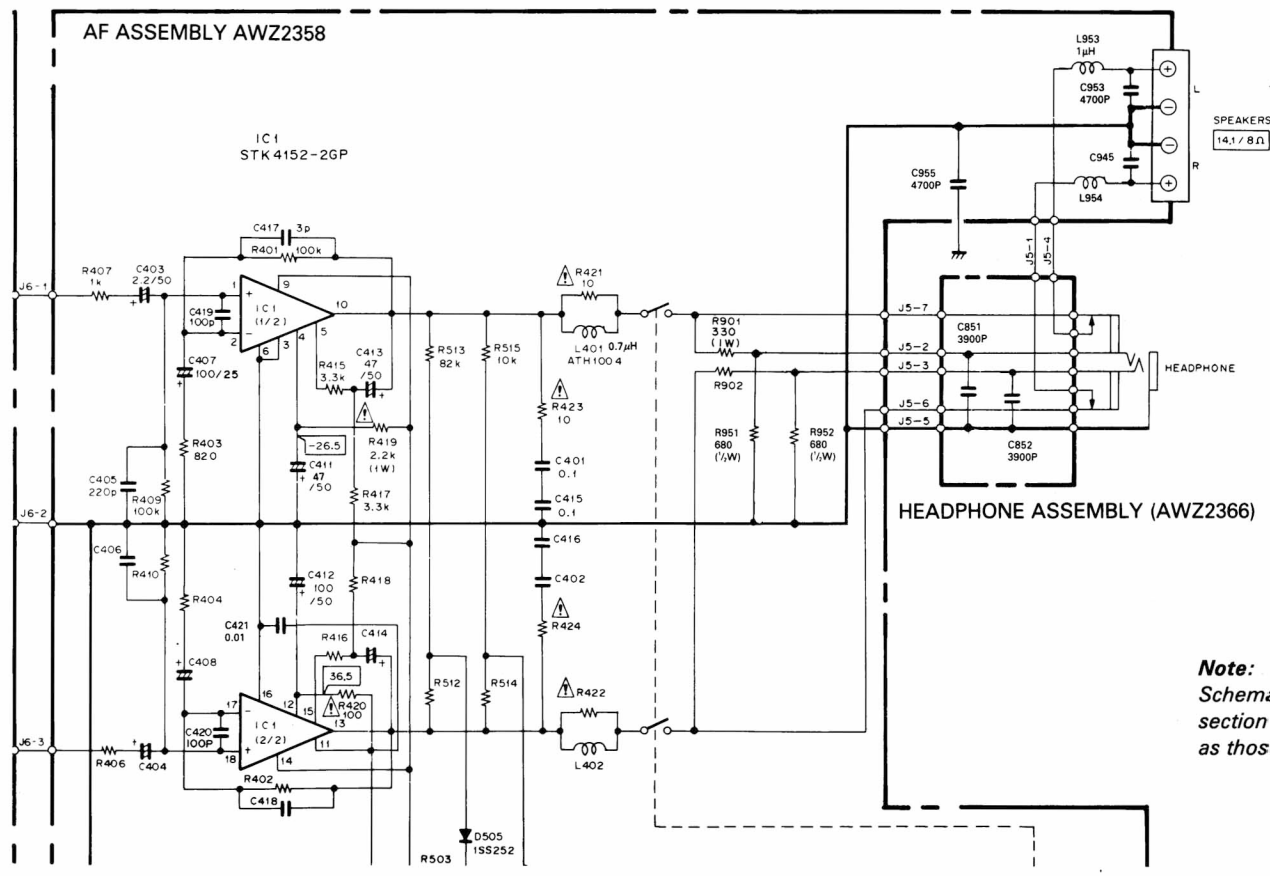
**AWZ2366 and AWZ2367 have the same construction except for the following:**

Mark	Symbol&Description	Part No.		Remarks
		AWZ2367	AWZ2366	
	C851,C852	.....	CKDYB392K50	

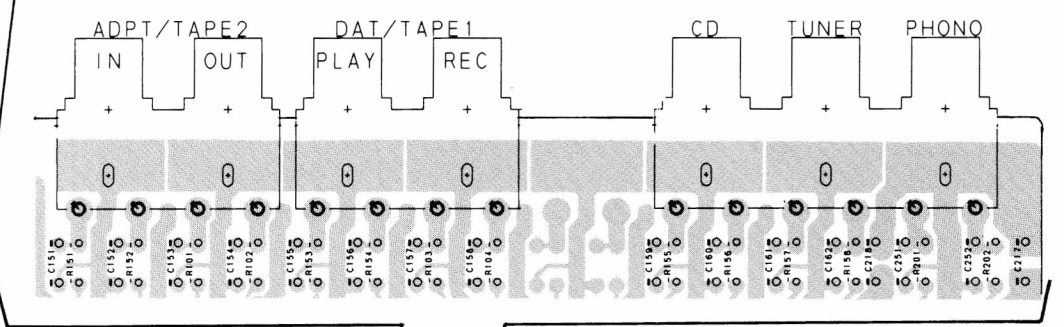
### 2.2 SCHEMATIC AND PCB DIAGRAMS

- For assemblies which are different in A-102/HEWZ and A-101/YPW, the schematic and PCB diagrams are shown below.
- **Schematic diagram**  
(AF and HEADPHONE assemblies for A-102/HEWZ)



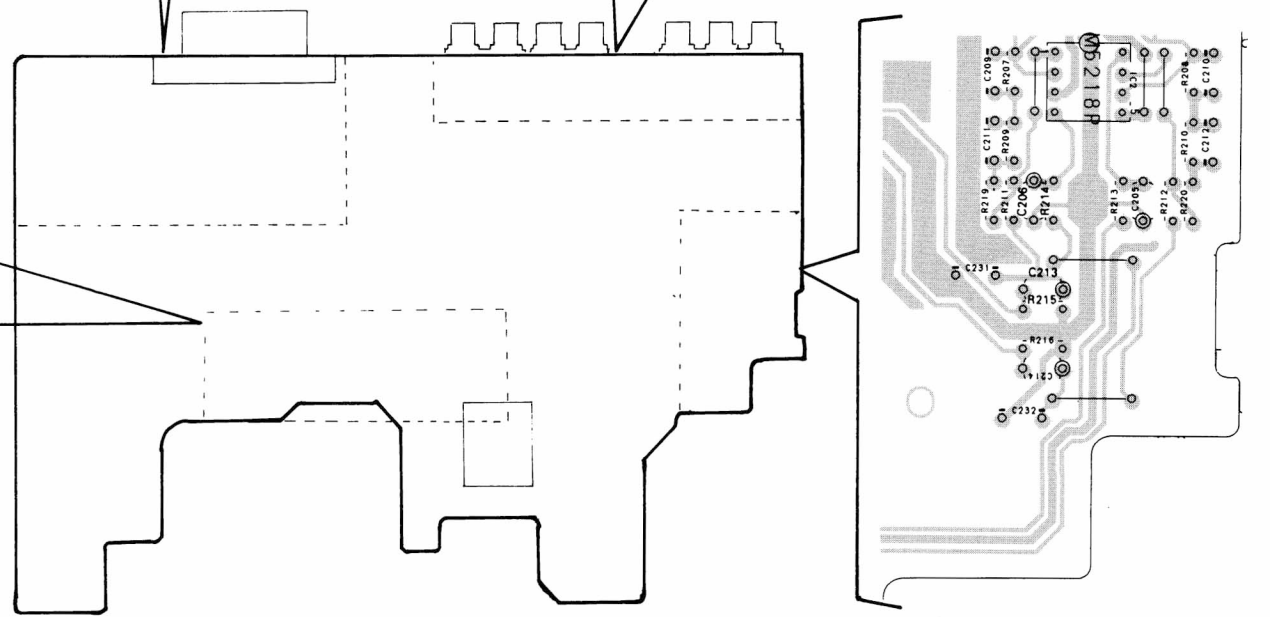
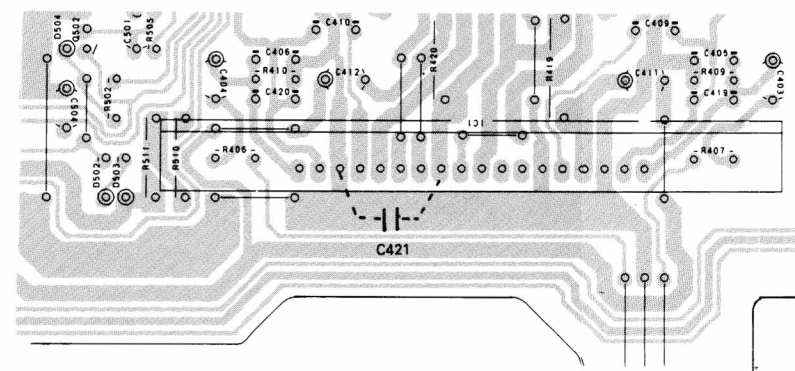
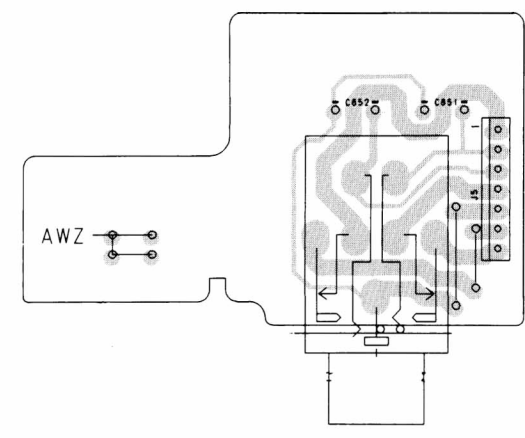


**Note:**  
Schematic and PCB diagrams for power supply section of A-202/SD and A-102/SD are the same as those of A-201/SD and A-101/SD.



• PCB diagrams (AF and HEADPHONE assemblies for A-102/HEWZ)

HEADPHONE ASSEMBLY (AWZ2366)



AF ASSEMBLY (AWZ2358)