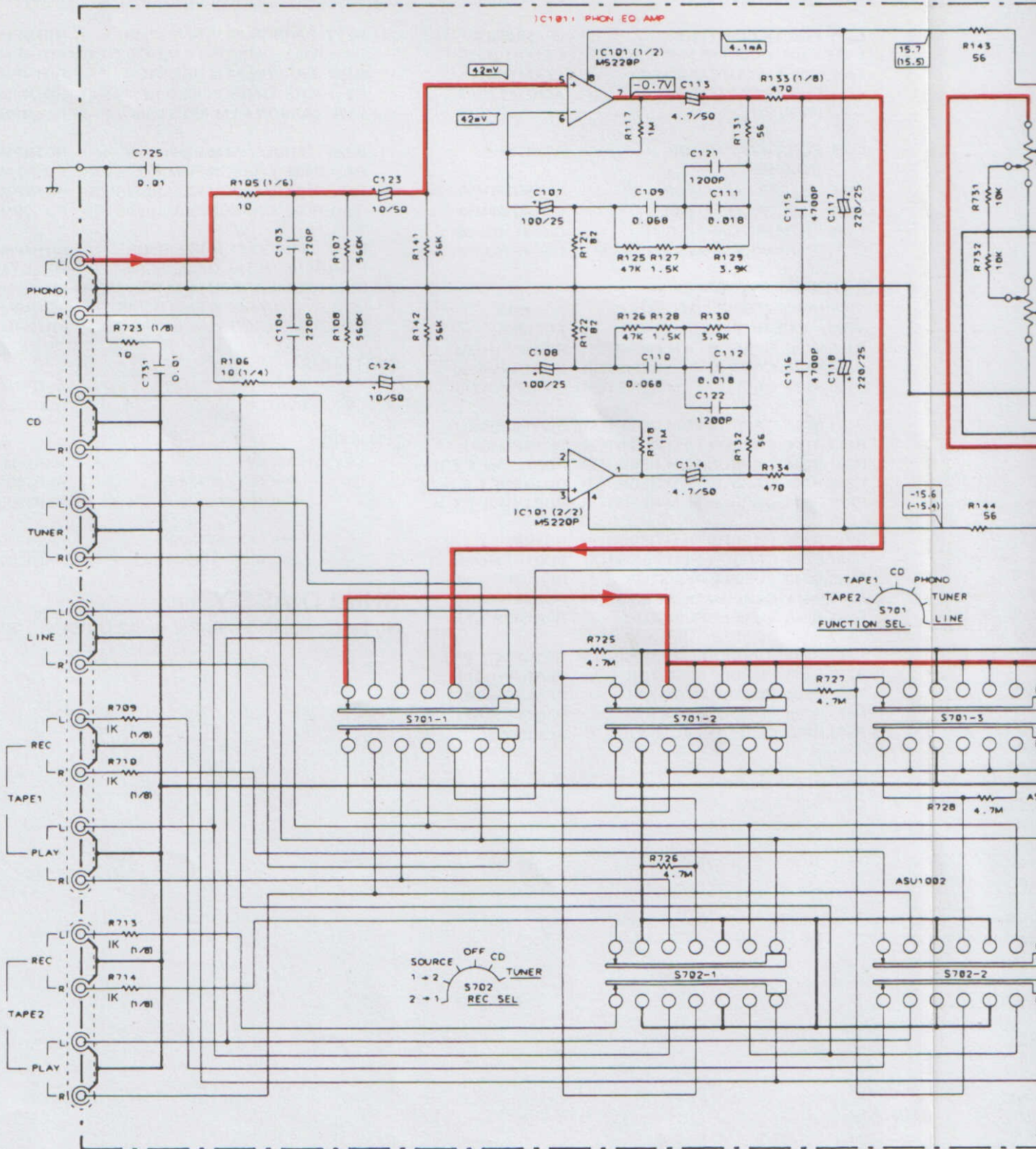
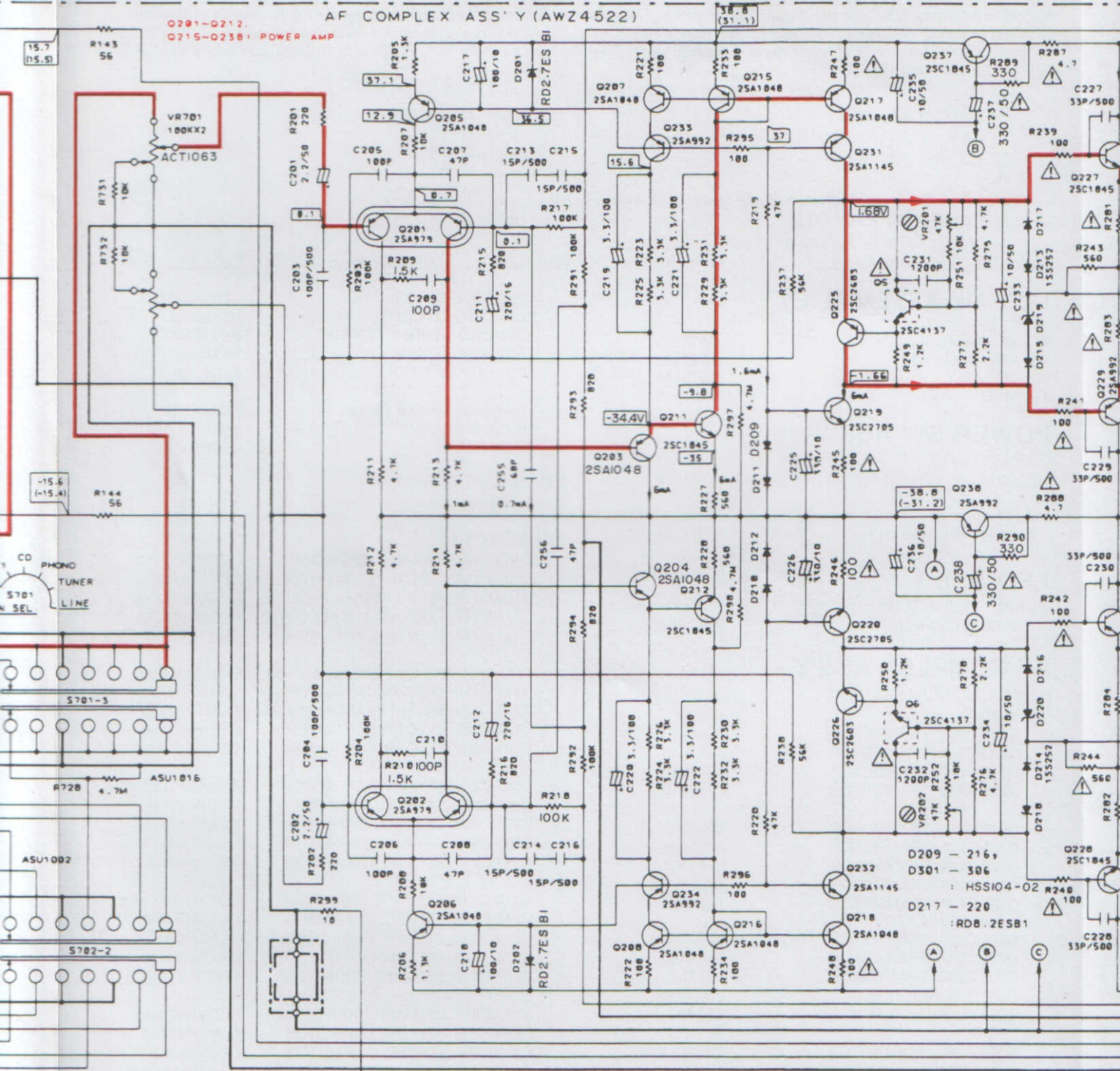


3. SCHEMATIC DIAGRAMS

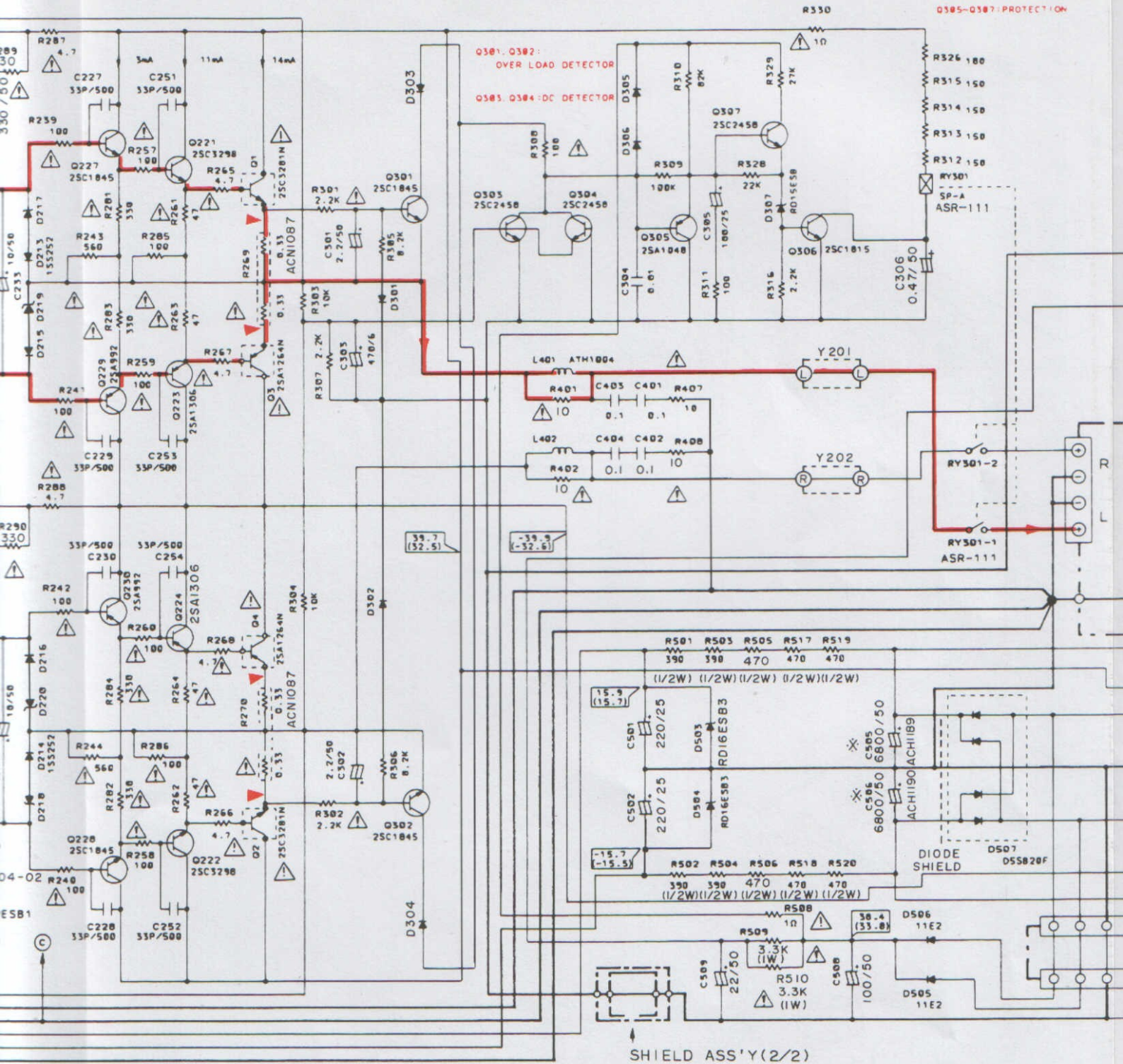


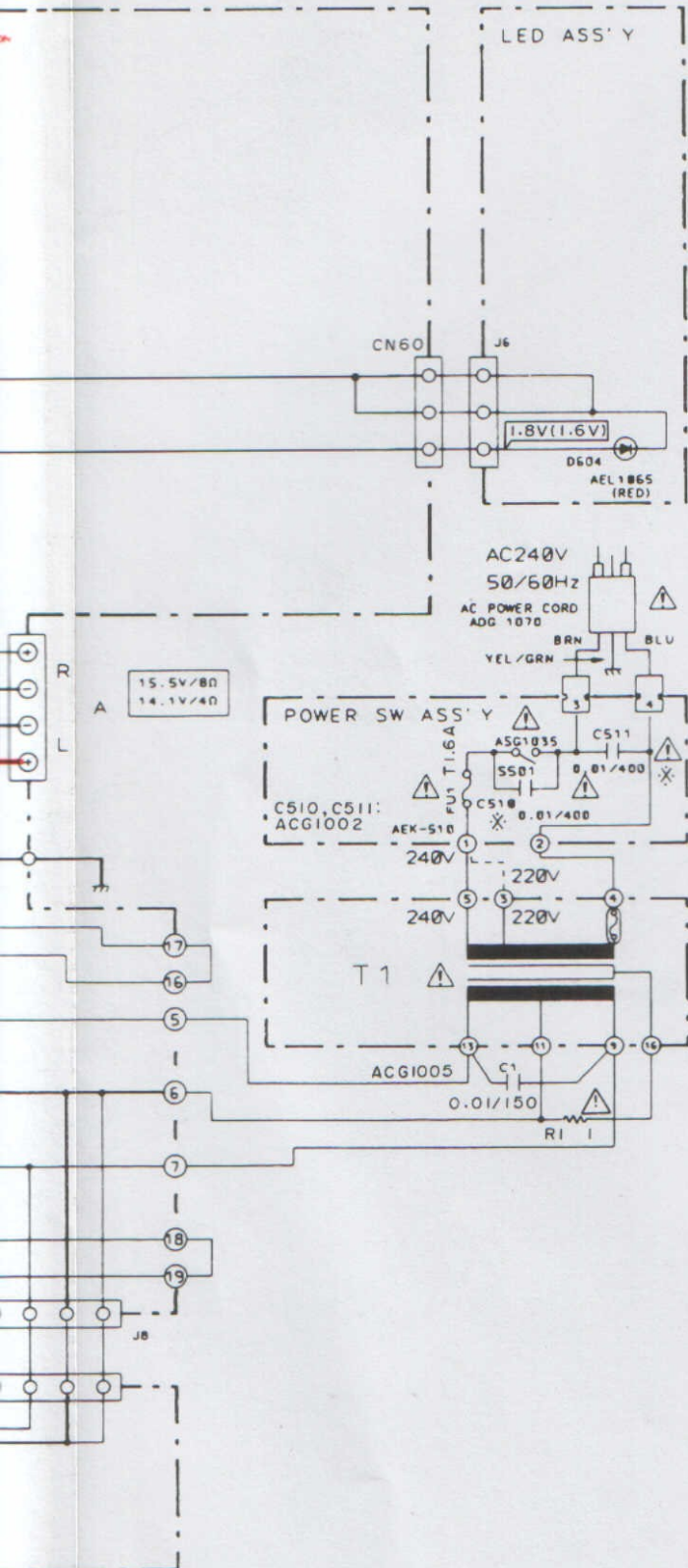
AF COMPLEX ASS'Y (AWZ4522)

Q201-Q212,
Q215-Q238: POWER AMP



SHIELD ASS'Y (1/2)



**Note:**

(Type 1)

1. When ordering service parts, be sure to refer to "PARTS LIST of EXPLODED VIEWS" or "PCB PARTS LIST".

2. Since these are basic circuits, some parts of them or the values of some components may be changed for improvement.

3. RESISTORS:

Unit: k: k Ω , M: M Ω , or Ω unless otherwise noted.

Rated power: 1/4W, 1/6W, 1/8W, 1/10W unless otherwise noted.

Tolerance: (F): $\pm 1\%$, (G): $\pm 2\%$, (K): $\pm 10\%$, (M): $\pm 20\%$ or $\pm 5\%$ unless otherwise noted.

4. CAPACITORS:

Unit: p: pF or μ F unless otherwise noted.

Ratings: capacitor (μ F)/ voltage (V) unless otherwise noted.

Rated voltage: 50V except for electrolytic capacitors.

5. COILS:

Unit: m: mH or μ H unless otherwise noted.

6. VOLTAGE AND CURRENT:

\square V : Signal voltage at rated output.

\square : DC voltage (V) at no input signal unless otherwise noted.
Value in () is DC voltage at rated power.

\diamond mA or $-$ mA : DC current at no input signal unless otherwise noted.

7. OTHERS:

$\bullet \rightarrow$: Signal route.

\odot : Adjusting point.

\blacktriangledown (Red) : Measurement point.

\blacktriangle : The \blacktriangle mark found on some component parts indicates the importance of the safety factor of the parts. Therefore, when replacing, be sure to use parts of identical designation.

8. SWITCHES (Underline indicates switch position):

S501 : POWER SW (ON-OFF)

S701 : FUNCTION SEL (TAPE 2 - TAPE 1 - CD - PHONO - TUNER - LINE)

S702 : REC SEL (2-1 - 1-2 - SOURCE - OFF - CD - TUNER)