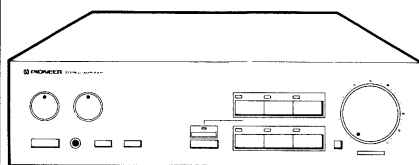


Service Manual



**ORDER NO.
ARP1359**

STEREO AMPLIFIER

A-331

A-331-S

MODEL A-331 COMES IN FOUR VERSIONS DISTINGUISHED AS FOLLOWS:

Type	Applicable model		Power requirement	Export destination
	A-331	A-331-S		
KC	○	—	AC120V only	Canada
HE	○	—	AC220V, 240V (switchable) *	European continent
HB	○	—	AC220V, 240V (switchable) *	United Kingdom
HEZ	○	○	AC220V, 240V (switchable)	West Germany

* Change the primary wiring of the Power transformer.

- This Service Manual is applicable to the A-331/KC, HE, HB and HEZ types.
- As to the HE, HB and HEZ types, please refer to page 25.
- A-331-S is silver versions of A-331.

CONTENTS

1. SPECIFICATIONS	2	6. P.C. BOARDS CONNECTION DIAGRAM	13
2. PANEL FACILITIES	3	7. ELECTRICAL PARTS LIST	22
3. PACKING	5	8. FOR HE, HB, HEZ AND	
4. EXPLODED VIEWS AND PARTS LIST	7	A-331-S/HEZ TYPES	25
5. SCHEMATIC DIAGRAM	10		

1. SPECIFICATIONS

AMPLIFIER SECTION

Continuous Average Power Output is 40 Watts* per channel, min., at 8 ohms from 20 Hertz to 20,000 Hertz, with no more than 0.02% total harmonic distortion.

**Measured pursuant to the Federal Trade Commission's Trade Regulation rules on Power Output Claims for Amplifiers.*

Continuous power output (both channels driven)	
20 Hz to 20 kHz, T.H.D. 0.02%, 8 Ω	40 W + 40 W
DIN continuous power output (both channels driven)	
1 kHz, T.H.D. 1%, 8 Ω	55 W + 55 W
1 kHz, T.H.D. 1%, 4 Ω	72 W + 72 W
IEC continuous power output (both channels driven)	
63 Hz to 12.5 kHz, T.H.D. 0.7%, 8 Ω	53 W + 53 W
63 Hz to 12.5 kHz, T.H.D. 0.7%, 4 Ω	70 W + 70 W
Dynamic power output (on EIA dynamic test signal)	
8 Ω	55 W + 55 W
4 Ω	90 W + 90 W
2 Ω	100 W + 100 W
Total harmonic distortion (measured by Audio Spectrum Analyzer)	
20 Hz to 20 kHz, 40 W, 8 Ω	0.02%
Input sensitivity/impedance	
PHONO (MM)	2.5 mV/50 kΩ
CD, TUNER, VIDEO/AUX, TAPE	150 mV/33 kΩ
PHONO overload level	
1 kHz, T.H.D. 0.02% (MM)	150 mV
Output level/impedance	
TAPE REC	150 mV/2.2 kΩ
Frequency response	
PHONO (MM), 20 Hz to 20 kHz	±0.3 dB
CD, TUNER, VIDEO/AUX, TAPE, 5 Hz to 80 kHz	± $\frac{1}{3}$ dB
Tone control	
BASS	±8 dB (100 Hz)
TREBLE	±8 dB (10 kHz)
Loudness contour (volume control set at -40dB position)	
	+ 7 dB (100 Hz)/+ 4 dB (10 kHz)
Signal-to-Noise ratio (IHF short circuit, A network)	
PHONO (MM, 5 mV input)	88 dB
CD (DIRECT)	105 dB
CD, TUNER, VIDEO/AUX, TAPE	100 dB
Signal-to-Noise ratio (DIN, continuous power/50 mW)	
PHONO (MM)	73 dB/60 dB
CD (DIRECT)	86 dB/63 dB
CD, TUNER, VIDEO/AUX, TAPE	86 dB/60 dB

Power Supply/Miscellaneous

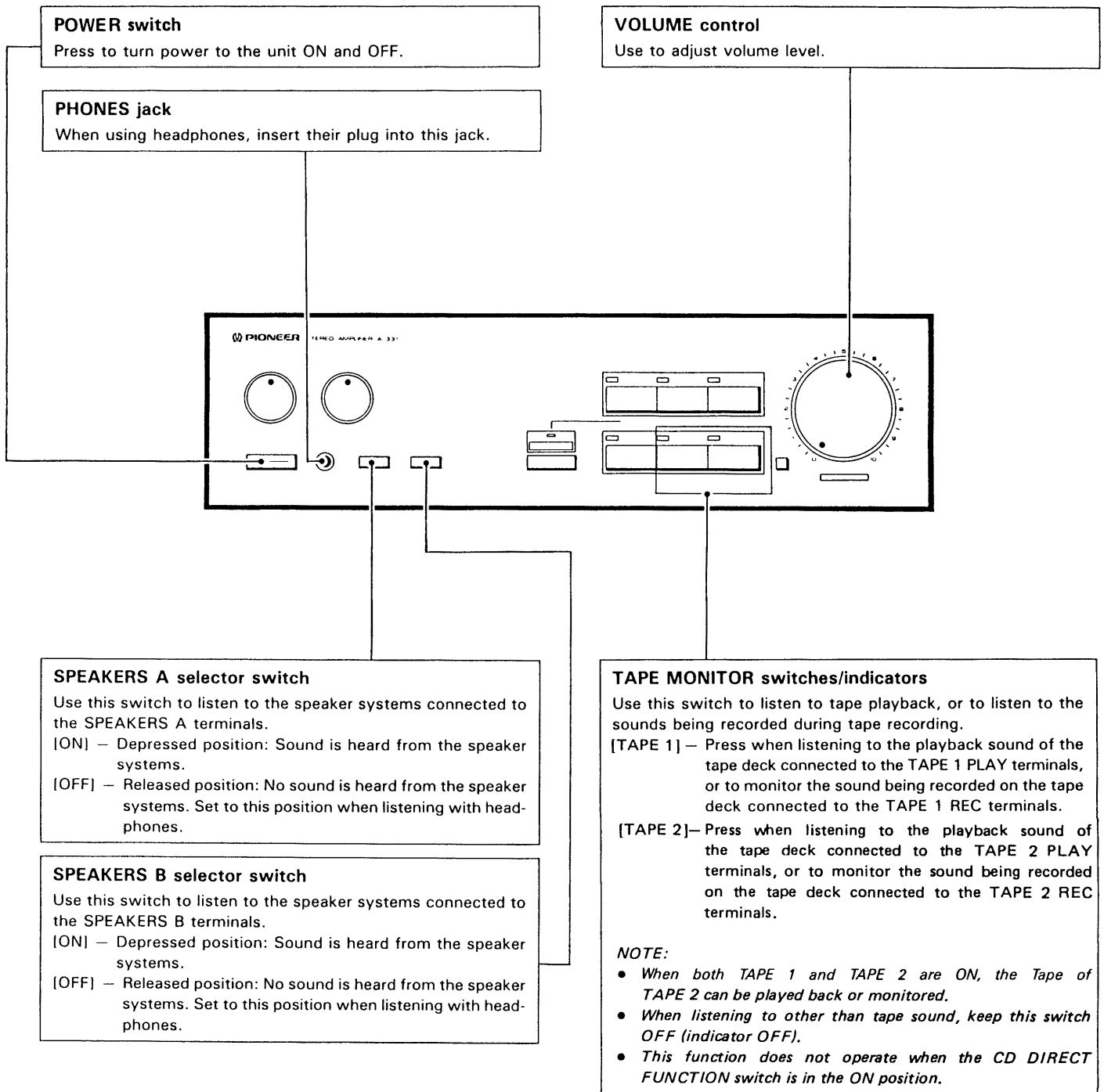
Power requirements	
U.S., Canadian models	AC 120V, 60 Hz
European model	a.c. 220 V~, 50/60 Hz
U.K., Australian models	a.c. 240 V~, 50/60 Hz
Other destination models	~ AC 110 V/120-127 V 220 V/240 V (switchable), 50/60 Hz
Power consumption	
European, U.K., Australian models	410 W
Canadian model	330VA (CSA)
Dimensions	420 (W) × 316.5 (D) × 120 (H) mm 16-1/2 (W) × 12-1/2 (D) × 4-3/4 (H) in
Weight	7.0 kg (15 lb 7 oz)

Accessories

Operating instructions	1
<ul style="list-style-type: none"> • Specifications and design subject to possible modification without notice due to improvements. 	

2. PANEL FACILITIES

FRONT PANEL



TREBLE tone control

Use to adjust the high-frequency tone. The center position is the flat (normal) position. When moved to the right, high-frequency tones are emphasized; when moved to the left, high-frequency tones are de-emphasized.

NOTE:

This function does not operate when the CD DIRECT FUNCTION switch is in the ON position.

BASS tone control

Use to adjust the low-frequency tone. The center position is the flat (normal) position. When moved to the right, low-frequency tones are emphasized; when moved to the left, low-frequency tones are de-emphasized.

NOTE:

This function does not operate when the CD DIRECT FUNCTION switch is in the ON position.

INPUT selector switches/indicators

Use to select playback source.

[CD] — Press when listening to compact disc playback with a CD player.

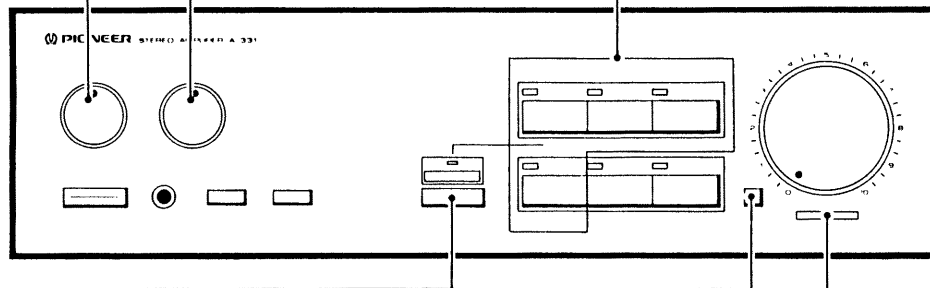
[PHONO] — Press when listening to record playback on a turntable.

[TUNER] — Press when listening to AM or FM broadcasts with a tuner.

[VIDEO/AUX] — Press when listening to the programs from a component connected to the VIDEO/AUX terminals.

NOTE:

This function does not operate when the CD DIRECT FUNCTION switch is in the ON position.

**CD DIRECT FUNCTION switch/indicator**

Use this switch/indicator when you do not wish to pass the output from CD terminal equipment through the various frequency adjusting circuits (INPUT selector, TAPE MONITOR, BASS, TREBLE, BALANCE).

[ON] — When the switch is in this position, the indicator lights and the signals input from the CD terminals are reproduced without passing through the various frequency adjusting circuits.

This results in flat, pure sound which is a more faithful reproduction of the digital source.

[OFF] — When the switch is in this position, the indicator goes out, and the signal selected by INPUT selector or TAPE MONITOR switches is played back.

BALANCE control

Should normally be left in the center position. Adjust balance if the sound is louder from one of the speakers. If the right side is louder, move toward the LEFT position and if the left side is louder, move toward the RIGHT position.

NOTE:

This function does not operate when the CD DIRECT FUNCTION switch is in the ON position.

LOUDNESS switch

Use when listening at low volume levels.

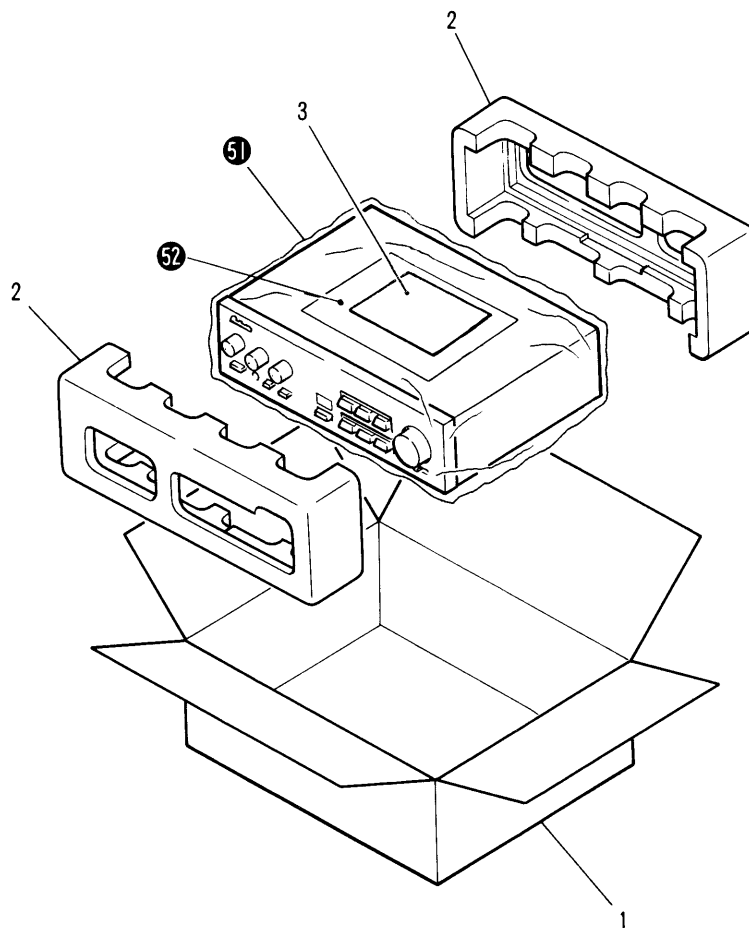
[OFF] — Released position: Should normally be left in this position.

[ON] — Depressed position: Boosts low and high frequencies to give added punch to playback even at low volume.

3. PACKING

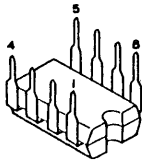
Parts List of Packing

Mark	No.	Part No.	Description
	1.	AHD1220	Packing case
	2.	AHA1015	Front rear pad
	3.	ARE1045	Operating instructions (English, French)
	51.		Seat
	52.		Warranty card

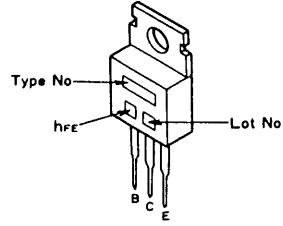


External Appearance of Transistors and ICs

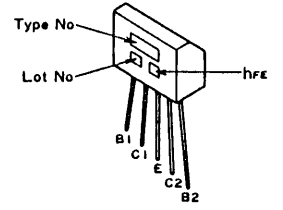
M5220P
M5210P



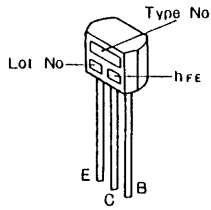
2SC2591
2SA1111



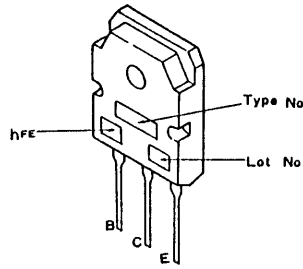
2SA979



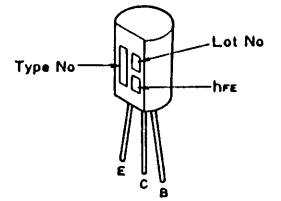
2SA1115
2SC2603



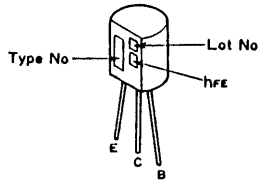
2SC3181N
2SA1264N



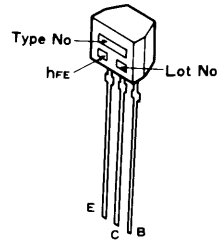
2SA1145
2SC1845



2SA992
2SC2705



2SC2458



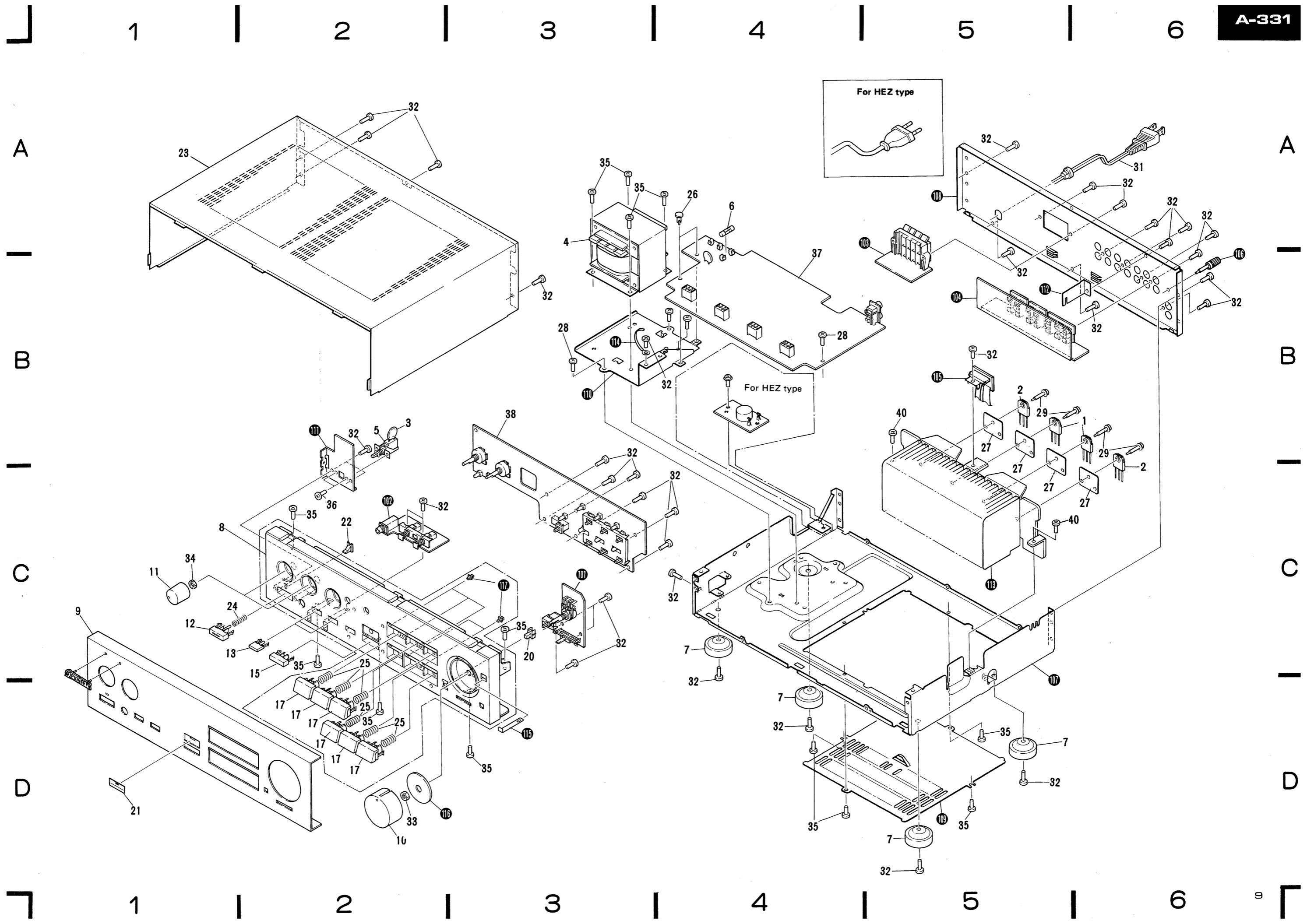
4. EXPLODED VIEWS AND PARTS LIST

NOTES:

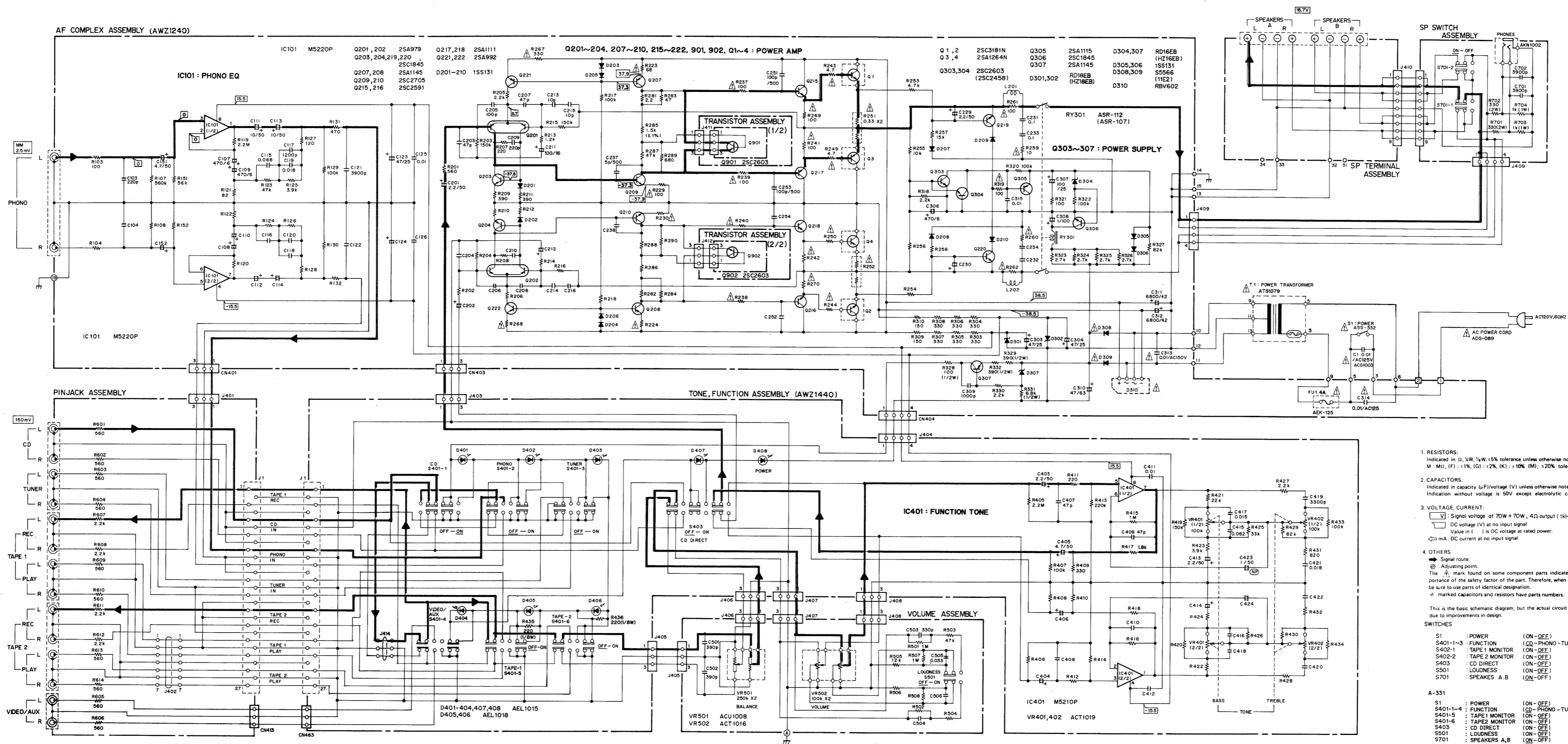
- Parts without part number cannot be supplied.
- The Δ mark found on some component parts indicates the importance of the safety factor of the part. Therefore, when replacing, be sure to use parts of identical designation.
- For your parts Stock Control, the fast moving items are indicated with the marks $\star\star$ and \star .
 $\star\star$ **GENERALLY MOVES FASTER THAN \star**
 This classification shall be adjusted by each distributor because it depends on model number, temperature, humidity, etc.
- Parts marked by "●" are not always kept in stock. Their delivery time may be longer than usual or they may be unavailable.

Parts List of Exterior

Mark	No.	Part No.	Description	Mark	No.	Part No.	Description
Δ	$\star\star$	1.	2SA1264N				
Δ	$\star\star$	2.	2SC3181N				
Δ		3.	ACG1003				
Δ	\star	4.	ATS1079				
Δ	$\star\star$	5.	ASG-552 (ASG-550)				
Δ	$\star\star$	6.	AEK-125				
		7.	AEP-280				
		8.	AMD1009				
		9.	ANB1092				
		10.	AAB1035				
		11.	AAB1028				
		12.	AAD1146				
		13.	AAD1061				
		14.				
		15.	AAD1063				
		16.				
		17.	AAD1136				
		18.				
		19.				
		20.	AAD1070				
		21.	AAK1216				
		22.	AAT-110				
		23.	ANE1059				
		24.	ABH1015				
		25.	ABH1019				
		26.	AEC-525				
		27.	AEP-313				
		28.	ABA1011				
		29.	ABA-258				
		30.				
				Δ	31.	ADG-089	AC power cord
					32.	BBZ30P080FZK	Screw
					33.	NK70FUC	Nut
					34.	NK90FUC	Nut
					35.	ABA-298	Screw
					36.	VMZ30P060FMC	Screw
					37.	AWZ1240	AF Complex assembly
					38.	AWZ1440	Tone, Function assembly
					39.
					40.	ABA-297	Screw
					101.		Volume assembly
					102.		Speaker switch assembly
					103.		SP Terminal assembly
					104.		Pin jack assembly
					105.		Transistor assembly
					106.		Terminal (GND)
					107.		Chassis
					108.		Rear panel
					109.		Bottom plate
					110.		Transformer frame
					111.		Switch holder
					112.		P.C.B. holder
					113.		Heat sink
					114.		Binder
					115.		Plate (EARTH)
					116.		Earth ring
					117.		Indicator lens C



5. SCHEMATIC DIAGRAM



1. RESISTORS:
Indicated in Ω, kΩ, MΩ, 1/2W, 1/4W, 15% tolerance unless otherwise noted k: kΩ, M: MΩ, (F): ±1%, (G): ±2%, (K): ±10%, (M): ±20% tolerance

2. CAPACITORS:
Indicated in capacity (μF)/voltage (V) unless otherwise noted p: pF
Indication without voltage is 50V except electrolytic capacitor.

3. VOLTAGE, CURRENT:
V: Signal voltage of 70W+70W, 4Ω output (1kHz)
V: DC voltage (V) at no input signal
Value in I: is DC current at rated power.
mA: DC current at no input signal.

4. OTHERS:
Signal route.
Adjusting point.
The Δ mark found on some component parts indicates the importance of the safety factor of the part. Therefore, when replacing, be sure to use parts of identical designation.
* marked capacitors and resistors have parts numbers.

This is the basic schematic diagram, but the actual circuit may vary due to improvements in design.

SWITCHES

S1	: POWER	(ON-OFF)
S401-1~3	: FUNCTION	(CD-PHONO-TUNER)
S402-1	: TAPE 1 MONITOR	(ON-OFF)
S402-2	: TAPE 2 MONITOR	(ON-OFF)
S403	: CD DIRECT	(ON-OFF)
S501	: LOUDNESS	(ON-OFF)
S701	: SPEAKERS A, B	(ON-OFF)

A-331

S1	: POWER	(ON-OFF)
S401-1~4	: FUNCTION	(CD-PHONO-TUNER-VIDEO/AUX)
S401-5	: TAPE 1 MONITOR	(ON-OFF)
S401-6	: TAPE 2 MONITOR	(ON-OFF)
S403	: CD DIRECT	(ON-OFF)
S501	: LOUDNESS	(ON-OFF)
S701	: SPEAKERS A, B	(ON-OFF)

6. P.C. BOARD CONNECTION DIAGRAM

NOTE

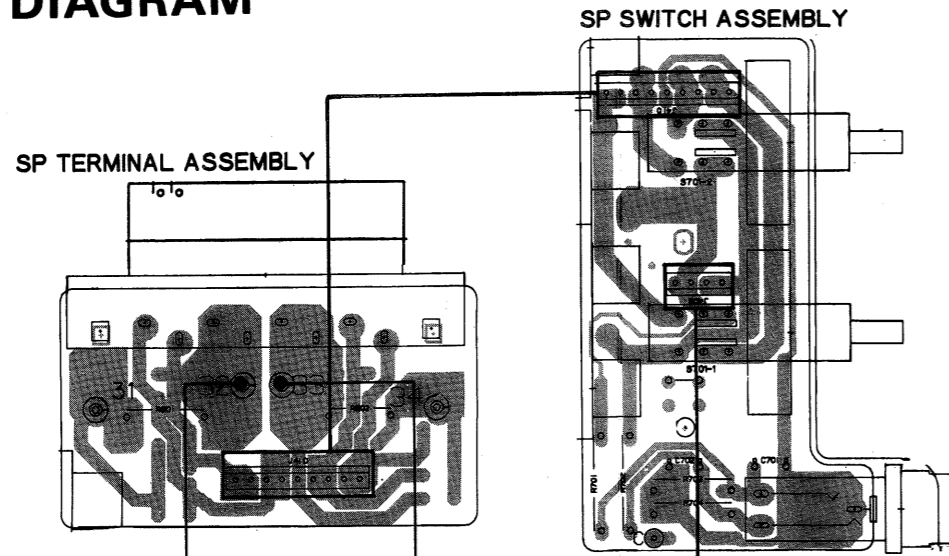
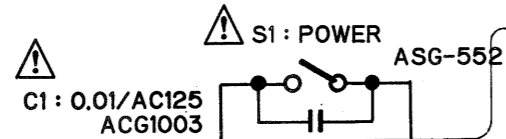
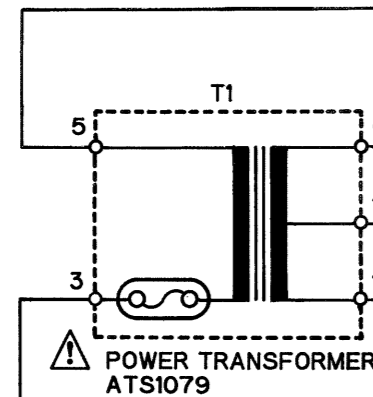
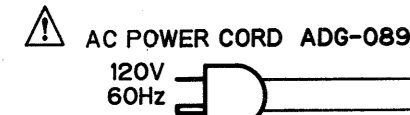
1. This P.C.B connection diagram is viewed from the parts mounted side.
2. The parts which have been mounted on the board can be replaced with those shown with the corresponding wiring symbols listed in the following Table.

P.C.B. pattern diagram indication	Corresponding part symbol	Part Name
		Transistor
		Radiator type transistor
		Diode
		Resistor
		Capacitor (Polarity)
		Capacitor (Non-polarity)

Others

P.C.B. pattern diagram indication	Part Name
	IC
	Switch
	Relay
	Coil
	Filter
	Variable resistor or Semi-fixed resistor

3. The capacitor terminal marked with ⊖ (double circles) shows negative terminal.
4. The diode terminal marked with ⊕ (double circles) shows cathode side.
5. The transistor terminal to which E is affixed shows the emitter.



A

B

C

D

A

B

C

D

7. ELECTRICAL PARTS LIST

NOTES:

- Parts without part number cannot be supplied.
- Parts marked by “●” are not always kept in stock. Their delivery time may be longer than usual or they may be unavailable.
- The Δ mark found on some component parts indicates the importance of the safety factor of the part. Therefore, when replacing, be sure to use parts of identical designation.
- For your parts Stock Control, the fast moving items are indicated with the marks **★★** and **★**.

★★ GENERALLY MOVES FASTER THAN ★

This classification shall be adjusted by each distributor because it depends on model number, temperature, humidity, etc.

- When ordering resistors, first convert resistance values into code form as shown in the following examples.

Ex. 1 When there are 2 effective digits (any digit apart from 0), such as 560 ohm and 47k ohm (tolerance is shown by J = 5%, and K = 10%).

560Ω	56 × 10 ¹	561.....	RD1/4PS	5	6	1	J
47kΩ	47 × 10 ³	473.....	RD1/4PS	4	7	3	J
0.5Ω	0R5.....		RN2H	0	5		K
1Ω	010.....		RS1P	0	1	0	K

Ex. 2 When there are 3 effective digits (such as in high precision metal film resistors).

5.62kΩ	562 × 10 ¹	5621.....	RN1/4SR	5	6	2	1	F
--------	-----------------------	-----------	---------	---	---	---	---	---

Miscellaneous Parts

P.C. BOARD ASSEMBLY

Mark	Symbol & Description	Part No.
	AF Complex assembly	AWZ1240
	Tone, Function assembly	AWZ1440
	Volume assembly	
	Speaker switch assembly	
	Transistor assembly	
	SP Terminal assembly	
	Pin jack assembly	

SEMICONDUCTORS

Mark	Symbol & Description	Part No.
Δ ★★	Q3, Q4	2SA1264N
Δ ★★	Q1, Q2	2SC3181N

SWITCH

Mark	Symbol & Description	Part No.
Δ ★★	S1 Push switch (POWER)	ASG-552 (ASG-550)

TRANSFORMER

Mark	Symbol & Description	Part No.
Δ ★	T1 Power transformer (120V)	ATS1079

CAPACITOR

Mark	Symbol & Description	Part No.
	C1 Power capacitor (0.01μF/125V)	ACG1003

OTHERS

Mark	Symbol & Description	Part No.
Δ	AC power cord	ADG-089
Δ ★★	FU1 Fuse (4A/125V)	AEK-125

AF Complex Assembly (AWZ1240)

SEMICONDUCTORS

Mark	Symbol & Description	Part No.
★★	IC101	M5220P
★★	Q217C, Q218C	2SA1111
★★	Q305	2SA1115
★★	Q207, Q208, Q307	2SA1145
★★	Q201, Q202	2SA979
★★	Q221, Q222	2SA992
★★	Q203, Q204, Q219, Q220, Q306	2SC1845
★★	Q215C, Q216C	2SC2591
★★	Q303, Q304	2SC2603 (2SC2458)
★★	Q209, Q210	2SC2705
Δ ★	D310	RBV602
★	D304, D307	RD16EB (HZ16EB)
★	D301, D302	RD18EB (HZ18EB)
Δ ★	D308, D309	S5566 (11E2)
★	D201—D210, D305, D306	1SS131

RELAY

Mark	Symbol & Description	Part No.
	RY301 Relay	ASR-112 (ASR-107)

COILS

Mark	Symbol & Description	Part No.
	L201, L202 AF choke coil	ATH1004

CAPACITORS

Mark	Symbol & Description	Part No.
△	C314 (0.01μF/AC125V)	ACG1003
△	C313 (0.01μF/AC150V)	ACG1005
	C311, C312 (6,800μF/42V)	ACH1019
	C237, C238	CCCSL050C500
	C213—C216	CCCSL100D50
	C205, C206	CCCSL101J50
	C251—C254	CCCSL101K500
	C209, C210	CCCSL221J50
	C203, C204, C207, C208	CCCSL470J50
	C103, C104	CCDSL221J50
	C308	CEAS010M100
	C111—C114	CEAS100M50
	C307	CEAS101M25
	C229, C230	CEAS2R2M50
	C151, C152	CEAS4R7M50
	C123, C124, C303, C304	CEAS470M25
	C310	CEAS470M63
	C107—C110, C306	CEAS471M6
	C211, C212	CEYA101M16
	C201, C202	CEYA2R2M50
	C309	CKCYB102K50
	C315	CKCYF103Z50
	C125, C126	CKDYF103Z50
	C231—C234	CQMA104K50
	C117, C118	CQMA122J50
	C119, C120	CQMA183J50
	C121, C122	CQMA392K50
	C115, C116	CQMA683J50

RESISTORS

Mark	Symbol & Description	Part No.
△	R251, R252 (0.33Ω x 2 5W)	ACN-139
	R328, R329, R332, R331	RD1/2PM□□□J
△	R223, R224, R241, R242,	RD1/4PMF□□□J
	R259—R262, R267—R270	
	R285, R286	RN1/4PQ1501F
△	R229, R230, R237—R240, R243,	RFA1/4PS□□□J
	R244, R249, R250, R319	
	Other resistors	RD1/4PM□□□J

OTHERS

Mark	Symbol & Description	Part No.
	2P terminal (PHONO)	AKB-119
	Transistor socket	AKH-017

Tone, Function Assembly (AWZ1440)

SEMICONDUCTORS

Mark	Symbol & Description	Part No.
★★	IC401	M5210P
★	D401—D404, D407, D408	AEL1015
★	D405, D406 (TAPE 1, 2)	AEL1018

SWITCH

Mark	Symbol & Description	Part No.
★★	S401 Push switch (FUNCTION)	ASG1013
★★	S403 Push switch (CD DIRECT)	SECV6S

CAPACITORS

Mark	Symbol & Description	Part No.
	C407—C410	CCCSL470J50
	C423, C424	CEANP010M50
	C403, C404, C413, C414	CEAS2R2M50
	C405, C406	CEAS4R7M50
	C411, C412	CKCYF103Z50
	C417, C418	CQMA153K50
	C421, C422	CQMA183K50
	C419, C420	CQMA332K50
	C415, C416	CQMA823K50

RESISTORS

Mark	Symbol & Description	Part No.
★	VR401, VR402 Variable resistor (100 kΩ x 2: BASS, TREBL)	ACT1019
	R435, R436 Other resistors	RD1/8PM221J RD1/4PM□□□J

Volume Assembly

SWITCH

Mark	Symbol & Description	Part No.
★★	S501 Push switch (LOUDNESS)	SEAV2S

CAPACITORS

Mark	Symbol & Description	Part No.
	C503, C504	CKCYB331K50
	C501, C502	CKCYB391K50
	C505, C506	CQMA333K50

RESISTORS

Mark	Symbol & Description	Part No.
★	VR502 Variable resistor (100 kΩ x 2: VOLUME)	ACT1016
★	VR501 Slide volume (250 kΩ x 2: BALANCE)	ACU1008
	R501—R508	RD1/4PM□□□J

Speaker Switch Assembly

SWITCH

Mark	Symbol & Description	Part No.
★★	S701 Push switch (SPEAKERS)	SUL6LXBXSC

CAPACITORS

Mark	Symbol & Description	Part No.
	C701, C702	CKCYB392K50

RESISTORS

Mark	Symbol & Description	Part No.
	R703, R704	RS1PMF102J
	R701, R702	RS2LMF331J

OTHERS

Mark	Symbol & Description	Part No.
	Pone jack (HEAD PHONE)	AKN1002

Transistor Assembly

SEMICONDUCTORS

Mark	Symbol & Description	Part No.
★★	Q901, Q902	2SC2603

SP Terminal Assembly

OTHERS

Mark	Symbol & Description	Part No.
	8P terminal (SPEAKERS)	AKE-111

Pin Jack Assembly

RESISTORS

Mark	Symbol & Description	Part No.
	R601, R602	RDR1/4PM561J
	R603-R614	RD1/4PM□□□J

OTHERS

Mark	Symbol & Description	Part No.
	4P terminal (TAPE 1, 2)	AKB-115
	6P terminal (CD, TUNER, VIDEO/ AUX)	AKB-117

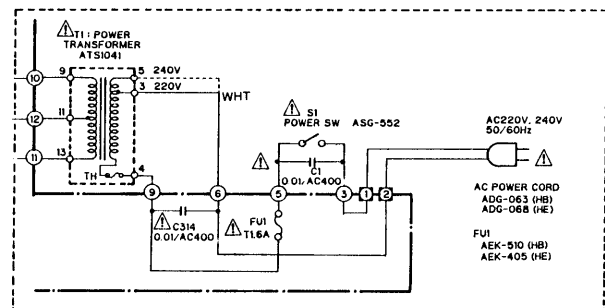
Line voltage selection (HE, HEZ and HB types)

Line voltage can be changed with following steps.

1. Disconnect the AC power cord.
2. Remove the top cover.
3. Change the connection wire (To Power transformer) of Terminal No. 3 (WHITE) as follows.

Voltage	Terminal No. 3	Terminal No. 5
220V	White wire
240V	White wire

For HE and HB types



8. FOR HE, HB, HEZ AND A-331-S/HEZ TYPES

8.1. CONTRAST OF MISCELLANEOUS PARTS

NOTES:

- Parts without part number cannot be supplied.
- The Δ mark found on some component parts indicates the importance of the safety factor of the part. Therefore, when replacing, be sure to use parts of identical designation.
- For your parts Stock Control, the fast moving items are indicated with the marks $\star\star$ and \star .
 $\star\star$ **GENERALLY MOVES FASTER THAN \star**
 This classification shall be adjusted by each distributor because it depends on model number, temperature, humidity, etc.
- Parts marked by "●" are not always kept in stock. Their delivery time may be longer than usual or they may be unavailable.

The A-331/HE, HB, HEZ and A-331-S/HEZ types are the same as A-331/KC type with the exception of the following sections:

Mark	Symbol & Description	Parts No.					Remarks
		A-331/KC	A-331/HE	A-331/HB	A-331/HEZ	A-331-S/HEZ	
	AF complex assembly	AWZ1240	AWZ1240	AWZ1240	AWZ1214	AWZ1214	
	SP terminal assembly	Non supply	Non supply	Non supply	Non supply	Non supply	
	Pin jack assembly	Non supply	Non supply	Non supply	Non supply	Non supply	
	Line filter assembly	AWT1003	AWT1003	
	AC power cord	ADG-089	ADG-068	ADG-063	ADG-068	ADG-068	
Δ $\star\star$	FU1 Fuse (4A/125V)	AEK-125	
Δ $\star\star$	FU1 Fuse (T1.6A/250V)	...	AEK-405	AEK-510	AEK-405	AEK-405	
Δ \star	Power transformer	ATS1079	ATS1041	ATS1041	ATS1041	ATS1041	
	Operating instructions (English/French)	ARE1045	ARE1045	
	Operating instructions (German/Italian)	...	ARC1042	...	ARC1042	ARC1042	
	Operating instructions (English)	ARB1059	
	Operating instructions (German)	...	ARC1043	
	Screw (For line filter)	ABA-256	ABA-256	
	Knob (VOLUME)	AAB1035	AAB1035	AAB1035	AAB1035	AAB1029	
	Knob (TONE)	AAB1028	AAB1028	AAB1028	AAB1028	AAB1030	
	Knob (POWER)	AAD1146	AAD1146	AAD1146	AAD1146	AAD1153	
	Knob (SPEAKER)	AAD1061	AAD1061	AAD1061	AAD1061	AAD1154	
	Knob (CD DIRECT)	AAD1063	AAD1063	AAD1063	AAD1063	AAD1155	
	Knob (LOUDNESS)	AAD1070	AAD1070	AAD1070	AAD1070	AAD1156	
	CD direct plate	AAK1216	AAK1216	AAK1216	AAK1216	AAK1271	
	Packing case	AHD1220	AHD1220	AHD1220	AHD1220	AHD1221	
	Panel base assembly A	AMD1009	AMD1009	AMD1009	AMD1009	AMD1013	
	Bonnet	ANE1059	ANE1059	ANE1059	ANE1059	ANE1071	
	Front panel assembly	ANB1092	ANB1092	ANB1092	ANB1092	ANB1111	
	Function knob (PHONO, CD, TUNER, VIDEO/AUX, TAPE 1, TAPE 2)	AAD1136	AAD1136	AAD1136	AAD1136	AAD1171	

8.2 ELECTRICAL PARTS LIST

NOTES:

- Parts without part number cannot be supplied.
 - Parts marked by "●" are not always kept in stock. Their delivery time may be longer than usual or they may be unavailable.
 - The Δ mark found on some component parts indicates the importance of the safety factor of the part. Therefore, when replacing, be sure to use parts of identical designation.
 - For your parts Stock Control, the fast moving items are indicated with the marks **★★** and **★**.
- ★★ GENERALLY MOVES FASTER THAN ★**
 This classification shall be adjusted by each distributor because it depends on model number, temperature, humidity, etc.

- When ordering resistors, first convert resistance values into code form as shown in the following examples.

Ex. 1 When there are 2 effective digits (any digit apart from 0), such as 560 ohm and 47k ohm (tolerance is shown by J = 5%, and K = 10%).

560Ω	56 × 10 ¹	561.....	RD1/4PS	5	6	1	J
47kΩ	47 × 10 ³	473.....	RD1/4PS	4	7	3	J
0.5Ω	0R5.....		RN2H	0	5		K
1Ω	010.....		RSIP	0	1	0	K

Ex. 2 When there are 3 effective digits (such as in high precision metal film resistors).

5.62kΩ	562 × 10 ¹	5621.....	RN1/4SR	5	6	2	1	F
--------	-----------------------	-----------	---------	---	---	---	---	---

Line Filter Assembly (AWT1003)

FILTER

Mark	Symbol & Description	Part No.
Δ	L1 Line filter	ATF-151

SP Terminal Assembly

CAPACITORS

Mark	Symbol & Description	Part No.
	C801—C804	CKDYB472K500

RESISTORS

Mark	Symbol & Description	Part No.
Δ	R801, R802	RD1/4PMF100J

OTHERS

Mark	Symbol & Description	Part No.
	8P terminal (SPEAKERS)	AEK-111

Pin Jack Assembly

CAPACITORS

Mark	Symbol & Description	Part No.
	C601—C614	CKDYB391K50

RESISTORS

Mark	Symbol & Description	Part No.
	R601, R602	RDR1/4PM561J
	R603—R614	RD1/4PM□□□J

OTHERS

Mark	Symbol & Description	Part No.
	4P terminal (TAPE 1, 2)	AKB-115
	6P terminal (CD, TUNER, VIDEO/AUX)	AKB-117

AF Complex Assembly (AWZ1214)

SEMICONDUCTORS

Mark	Symbol & Description	Part No.
	IC101	M5220P
	Q217C, Q218C	2SA1111
	Q305	2SA1115
	Q207, Q208, Q307	2SA1145
	Q201, Q202	2SA979
	Q221, Q222	2SA992
	Q203, Q204, Q219, Q220, Q306	2SC1845
	Q215C, Q216C	2SC2591
	Q303, Q304	2SC2603 (2SC2458)
	Q209, Q210	2SC2705
Δ	D310	RBV602
	D304, D307	RD16EB (HZ16EB)
	D301, D302	RD18EB
Δ	D308, D309	S5566 (11E2)
	D201—D210, D305, D306	1SS131

RELAY

Mark	Symbol & Description	Part No.
★★	RY301 Relay	ASR-112 (ASR-117)

COILS

Mark	Symbol & Description	Part No.
	L201, L202 AF choke coil (5.3μH)	ATH1009
	L103–L106 Inductor (150μH)	LAU151K

CAPACITORS

Mark	Symbol & Description	Part No.
△	C314 (0.01μF/AC400V)	ACG1003
△	C313 (0.01μF/AC150V)	ACG1005
	C311, C312 (6800μF/42V)	ACH1019
	C237, C238	CCCSL050C500
	C213–C216	CCCSL100D50
	C205, C206	CCCSL101J50
	C251–C254	CCCSL101K500
	C209, C210	CCCSL221J50
	C203, C204, C207, C208	CCCSL470J50
	C101, C102	CCDSL181J50
	C103, C104	CCDSL221J50
	C308	CEAS010M100
	C111–C114	CEAS100M50
	C307	CEAS101M25
	C229, C230	CEAS2R2M50
	C151, C152	CEAS4R7M50
	C123, C124, C303, C304	CEAS470M25
	C310	CEAS470M63
	C107–C110, C306	CEAS471M6
	C211, C212	CEYA101M16
	C201, C202	CEYA2R2M50
	C309	CKCYB102K50
	C315, C318, C319	CKCYF103Z50
	C255, C256	CKCDYB331K50
	C125, C126	CKCDYF103Z50
	C257	CKCDYF473Z50
	C231–C234	CQMA104K50
	C117, C118	CQMA122J50
	C119, C120	CQMA183J50
	C121, C122	CQMA392K50
	C115, C116	CQMA683J50

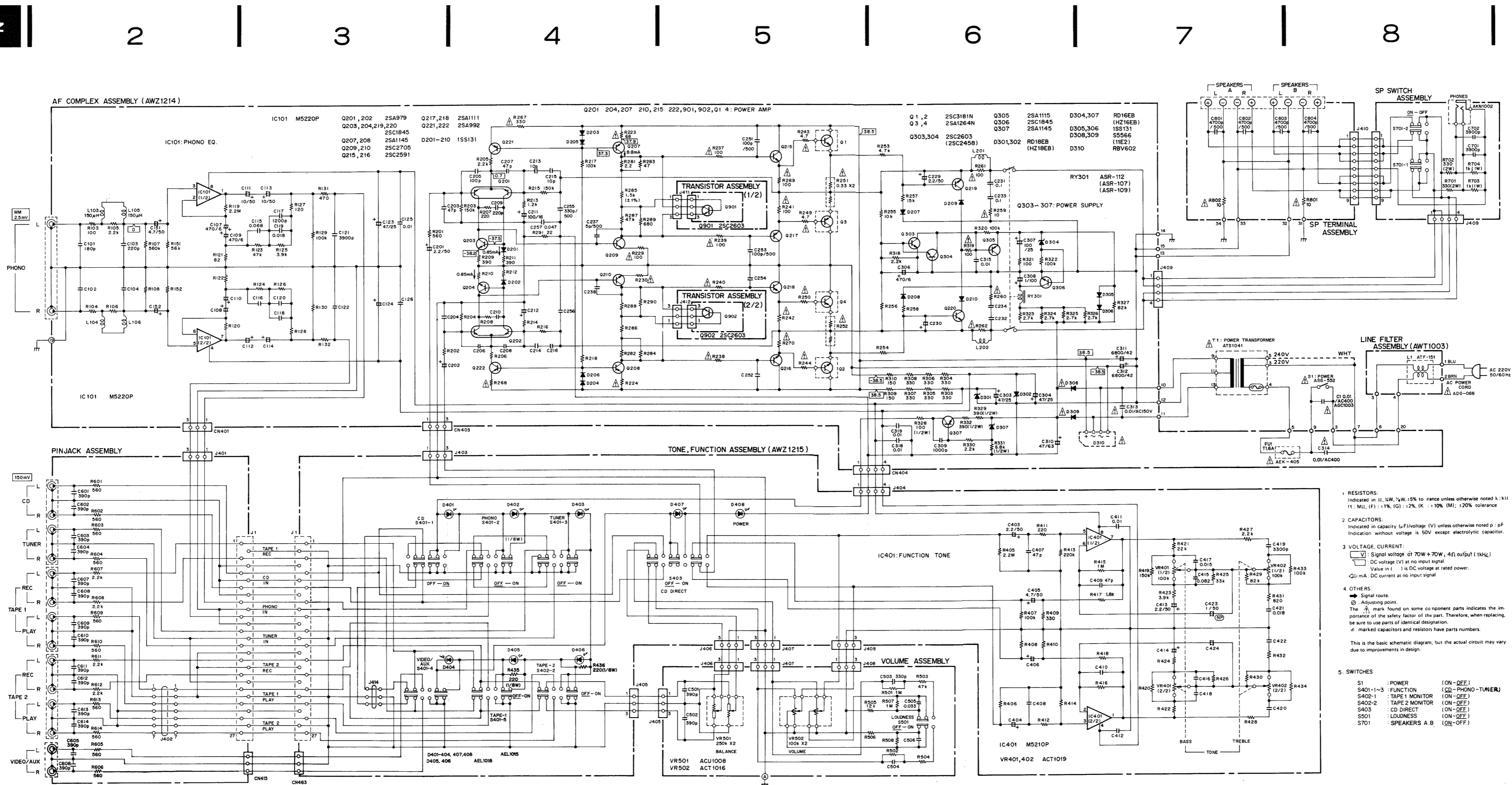
RESISTORS

Mark	Symbol & Description	Part No.
△	R251, R252 (0.33Ω × 2 5W)	ACN-139
	R328, R329, R331, R332	RD1/2PM□□□J
△	R229, R230, R241, R242,	RD1/4PMF□□□J
	R259–R262, R269–R270, R319	
	R285, R286	RN1/4PQ1501F
△	R237–R240, R243, R244,	RFA1/4PS□□□J
	R249, R250	
	Other resistors	RD1/4PM□□□J

OTHERS

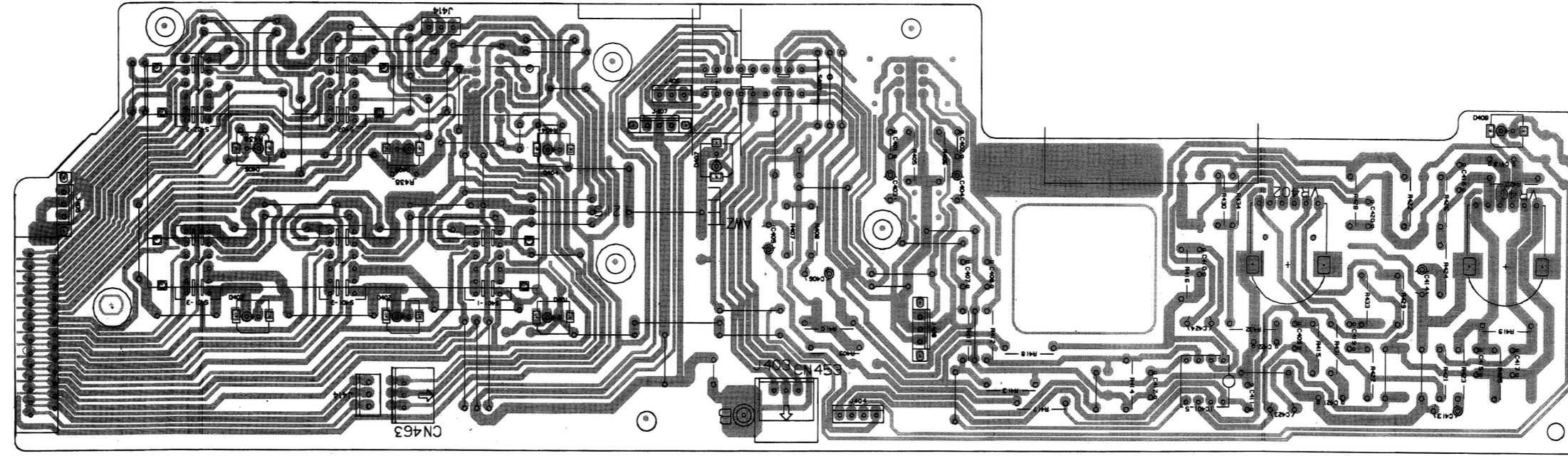
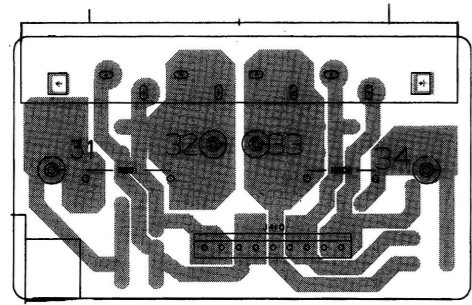
Mark	Symbol & Description	Part No.
	2P terminal (PHONO)	AKB-119
	Transistor socket	AKH-017

8.3 SCHEMATIC DIAGRAM

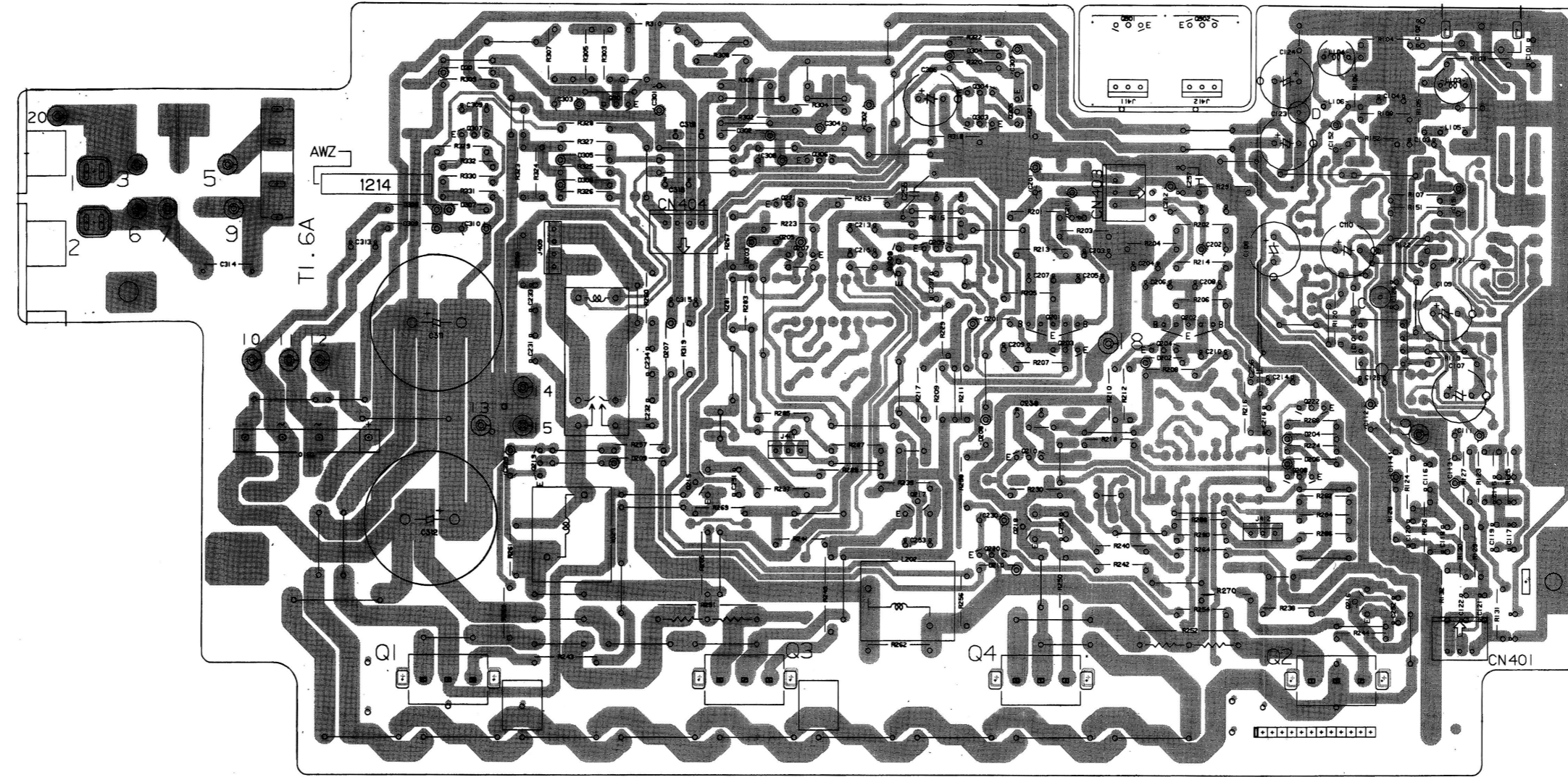
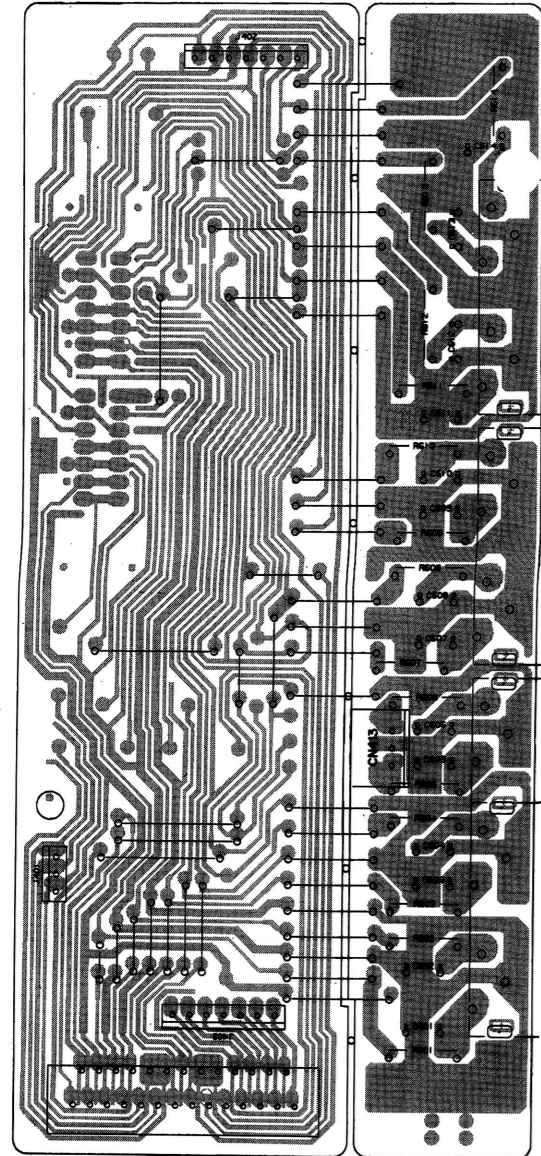


1 | 2 | 3 | 4 | 5 | 6 | 7 | 8

A



B



C

D

NOTE

1. This P.C.B. connection diagram is viewed from the parts mounted side.
2. The parts which have been mounted on the board can be replaced with those shown with the corresponding wiring symbols listed in the following Table.

P.C.B. pattern diagram indication	Corresponding part symbol	Part Name
		Transistor
		Radiator type transistor
		Diode
		Resistor
		Capacitor (Polarity)
		Capacitor (Non-polarity)

Others

P.C.B. pattern diagram indication	Part Name
IC	IC
S	Switch
RY	Relay
L	Coil
F	Filter
VR	Variable resistor or Semi-fixed resistor

3. The capacitor terminal marked with ⊖ (double circles) shows negative terminal.
4. The diode terminal marked with ⊕ (double circles) shows cathode side.
5. The transistor terminal to which E is affixed shows the emitter.

A

B

C

D

1 | 2 | 3 | 4 | 5 | 6 | 7 | 8 | 9 | 33