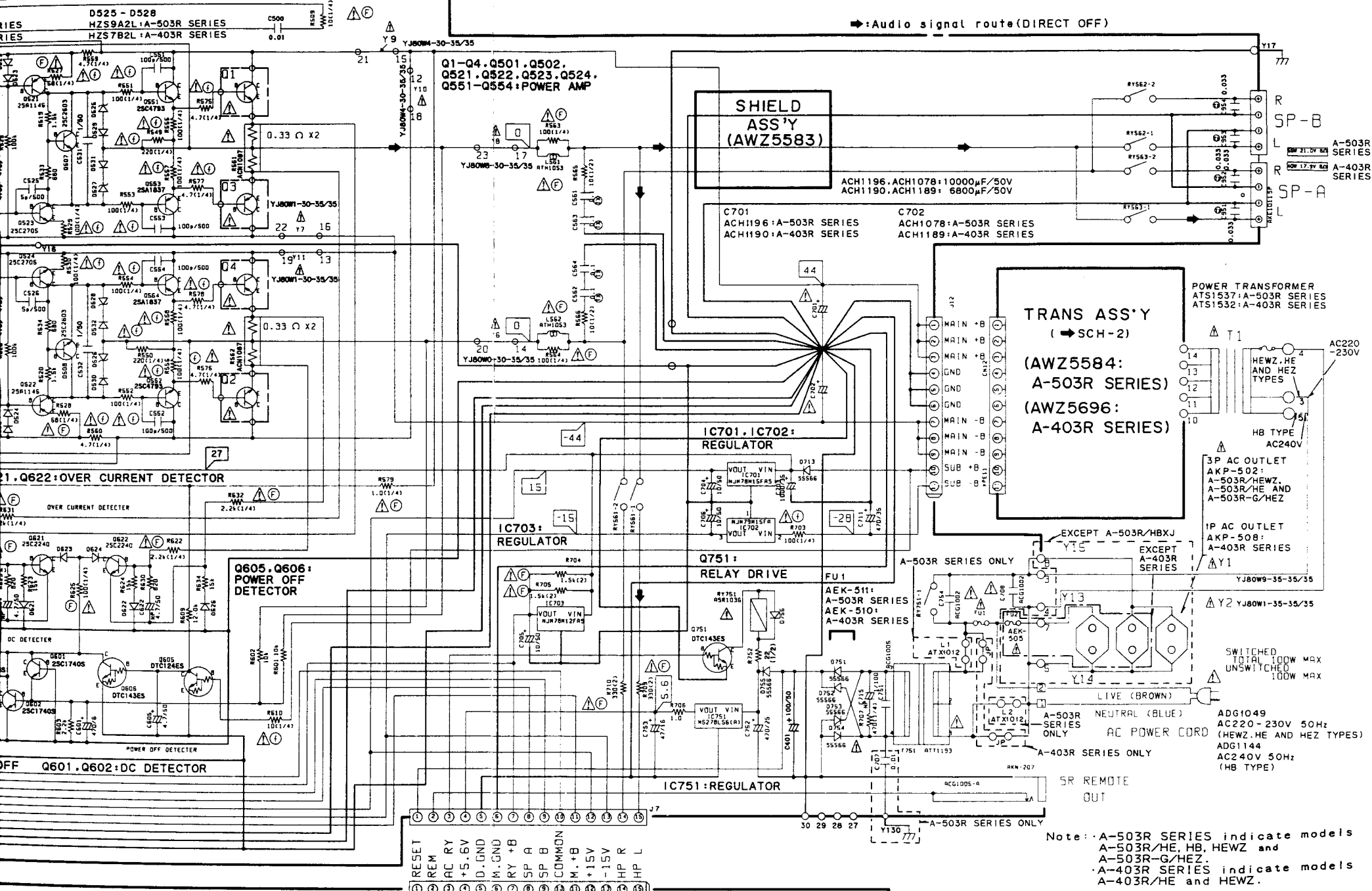
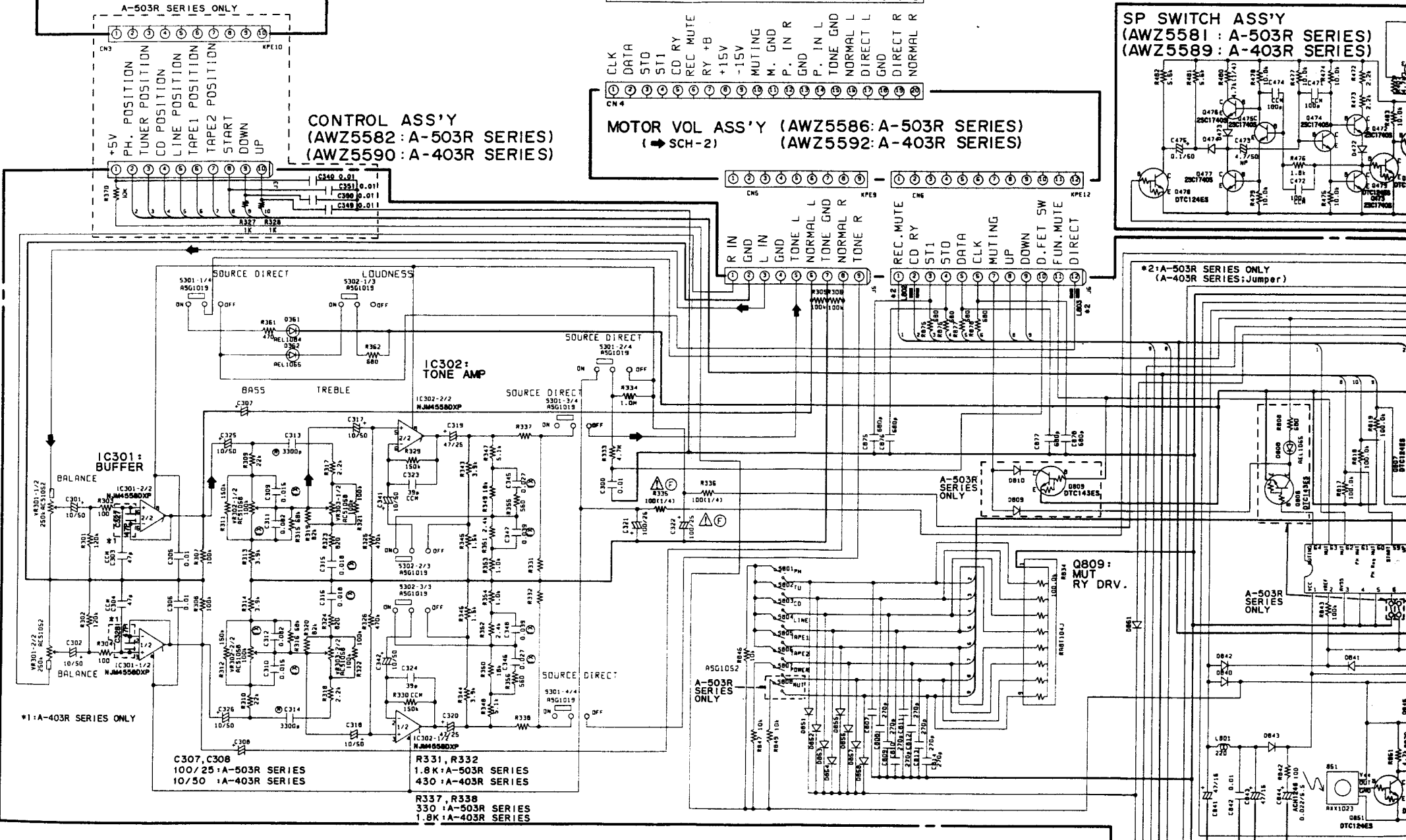


Q1,Q2 25C3281 :A-503R SERIES
25C3181N:A-403R SERIES
Q3,Q4 25A1302 :A-503R SERIES
25A1264N :A-403R SERIES

Audio signal route (DIRECT OFF)



Note: A-503R SERIES indicate models A-503R/HE, HB, HEWZ and A-503R-G/HEZ.
A-403R SERIES indicate models A-403R/HE and HEWZ.



SCH-1

OVERALL,
AF ASSY, CONTROL ASSY,
SP SWITCH ASSY,
SWITCH ASSY

RESISTORS

Indicated in \square 1/8W ±5%
tolerance unless otherwise
noted k:K M:M

CAPACITORS

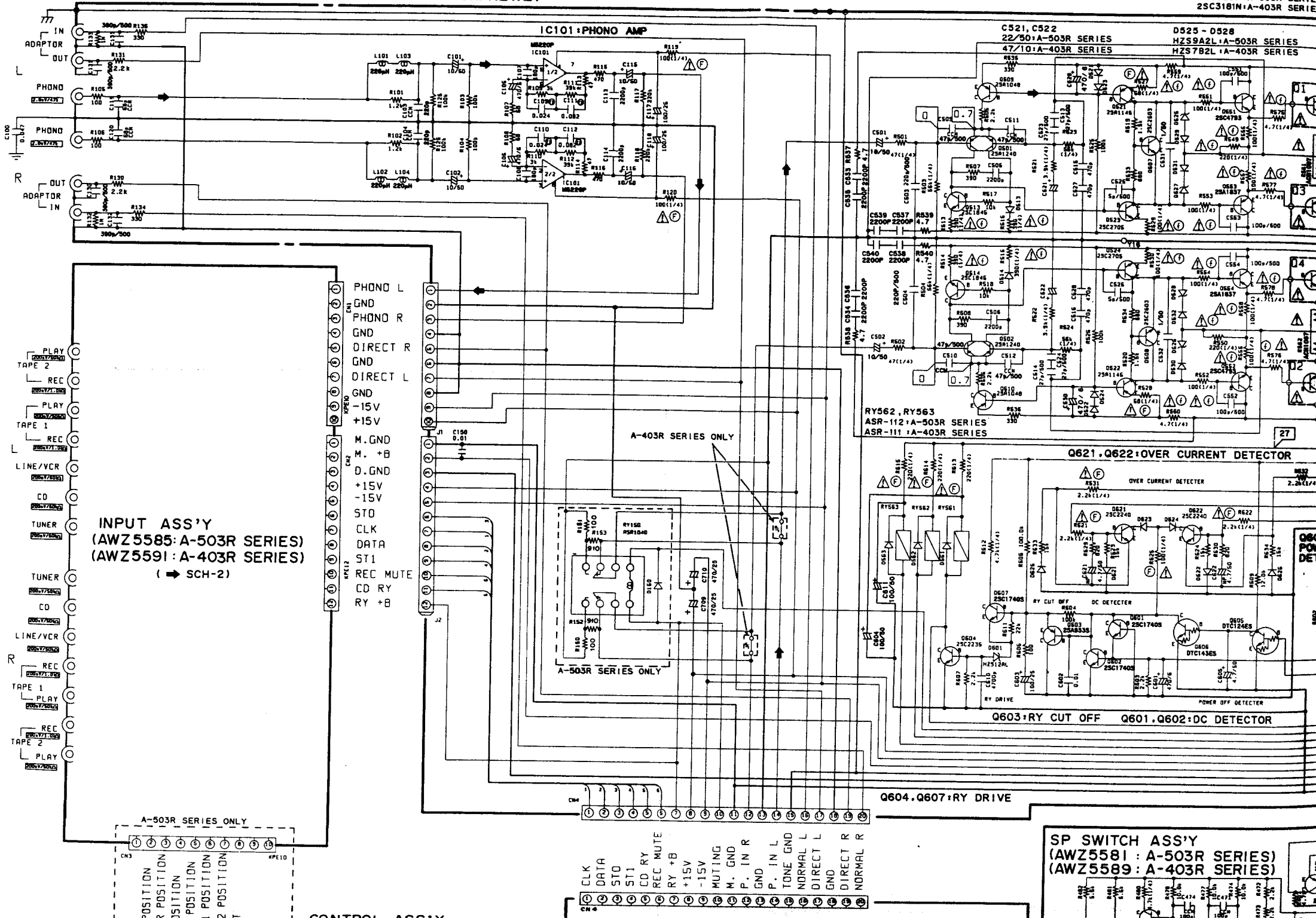
unless otherwise noted p: pF
Indication without Voltage ± 50V

DIODES

Other diodes (not noted) are 1S5252

AF ASS'Y (AWZ5580 : A-503R/HE, A-503R/HEWZ AND A-503R-G/HEZ)
 (AWZ5587 : A-503R/HB)
 (AWZ5588 : A-403R/HE AND A-403R/HEWZ)

01,02
 25C3281 : A-503R SERIES
 25C3181N : A-403R SERIES



INPUT ASS'Y
 (AWZ5585 : A-503R SERIES)
 (AWZ5591 : A-403R SERIES)
 (→ SCH-2)

A-403R SERIES ONLY

A-503R SERIES ONLY

A-503R SERIES ONLY

SP SWITCH ASS'Y
 (AWZ5581 : A-503R SERIES)
 (AWZ5589 : A-403R SERIES)

CONTROL ASS'Y