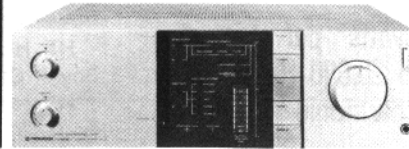


Service Manual



ORDER NO.
ART-597-0

NON SWITCHING AMP
STEREO AMPLIFIER

A-7

www.rtvcenter.com
repairtips, servicemanuals
forum, chassispictures...

MODEL A-7 COMES IN SIX VERSIONS DISTINGUISHED AS FOLLOWS:

Type	Voltage	Remarks
HE	220V and 240V (Switchable)	Europe model
HB	220V and 240V (Switchable)	U.K. model
KU	120V only	U.S.A. model
KC	120V only	Canada model
S/G	110V, 120V, 220V and 240V (Switchable)	U.S. military model
S	110V, 120V, 220V and 240V (Switchable)	General export model

This service manual is applicable to the HE and HB types. When repairing the KU, KC, S/G and S types, please see the additional service manual.

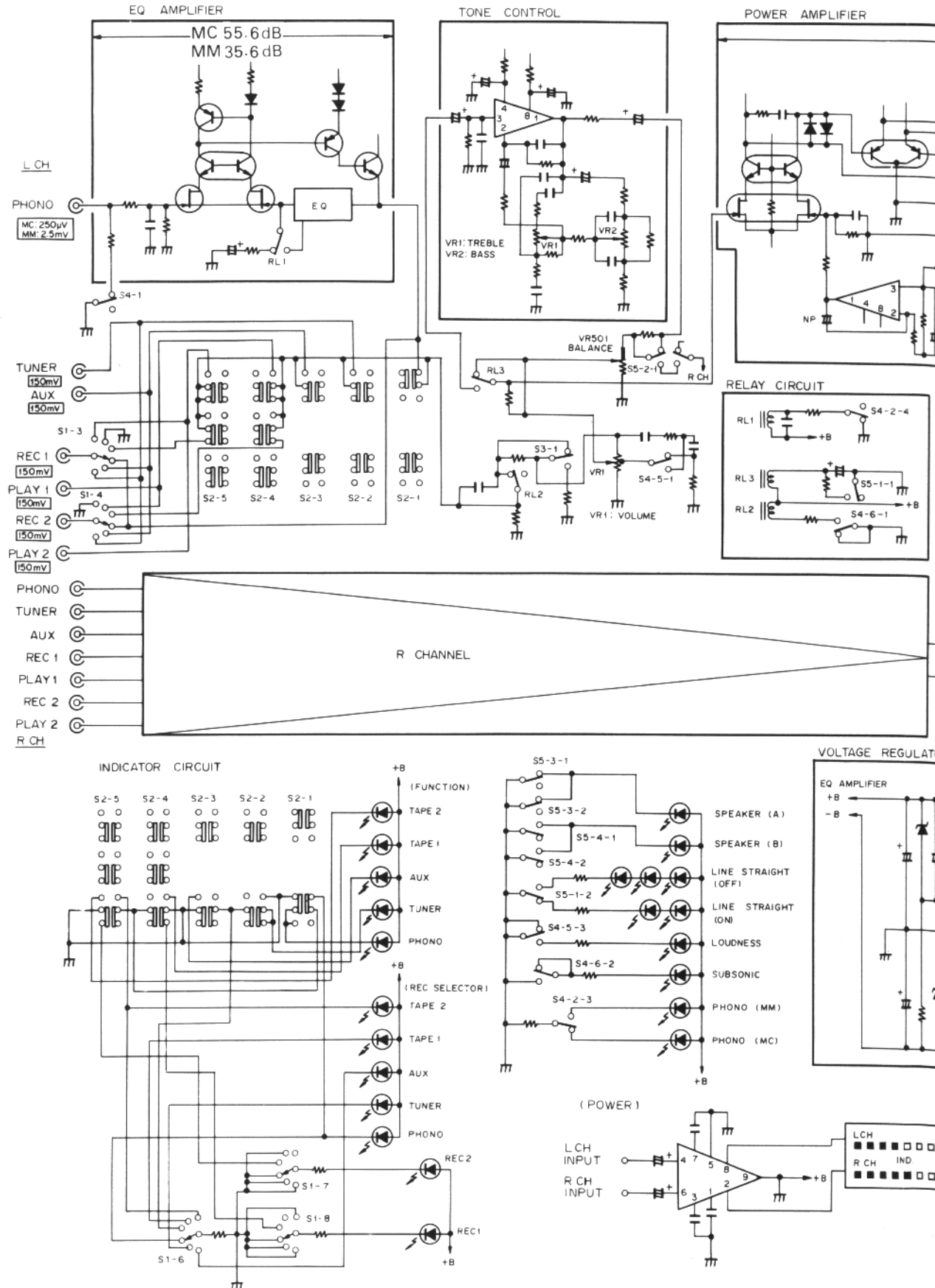
Ce manuel d'instruction se réfère au mode de réglage, en français.

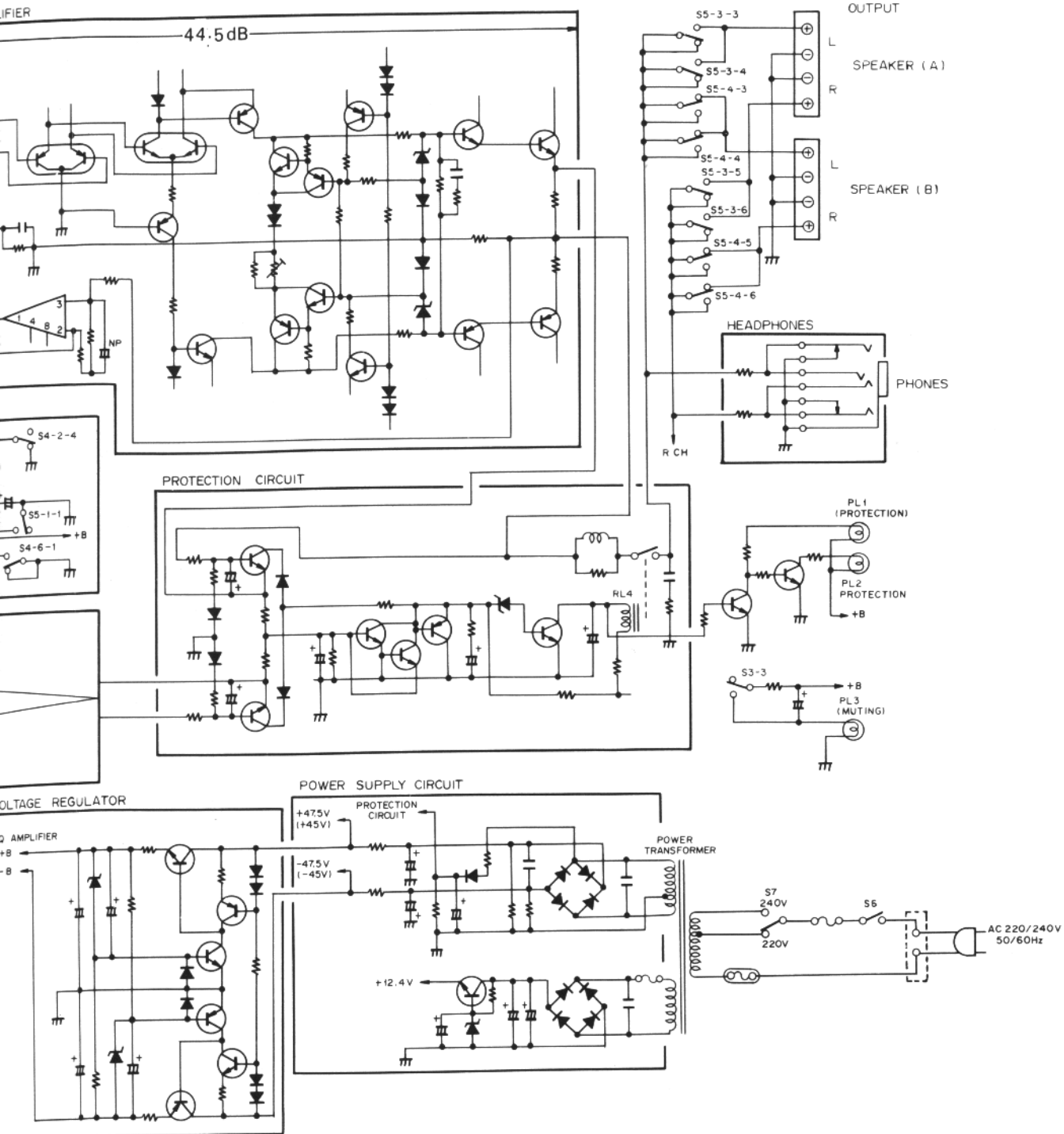
Este manual de servicio trata del método de ajuste escrito en español.

CONTENTS

1. SPECIFICATIONS	2	8. ELECTRICAL PARTS LIST	24
2. FRONT PANEL FACILITIES	3	9. SCHEMATIC DIAGRAM	25
3. PARTS LOCATION	6	10. PACKING	32
4. CIRCUIT DESCRIPTIONS	8	11. ADJUSTMENTS	33
5. BLOCK DIAGRAM	9	RÉGLAGE	34
6. EXPLODED VIEWS	11	AJUSTE	35
7. P.C. BOARDS CONNECTION DIAGRAM	17		

5. BLOCK DIAGRAM

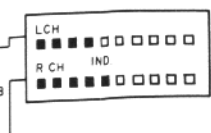


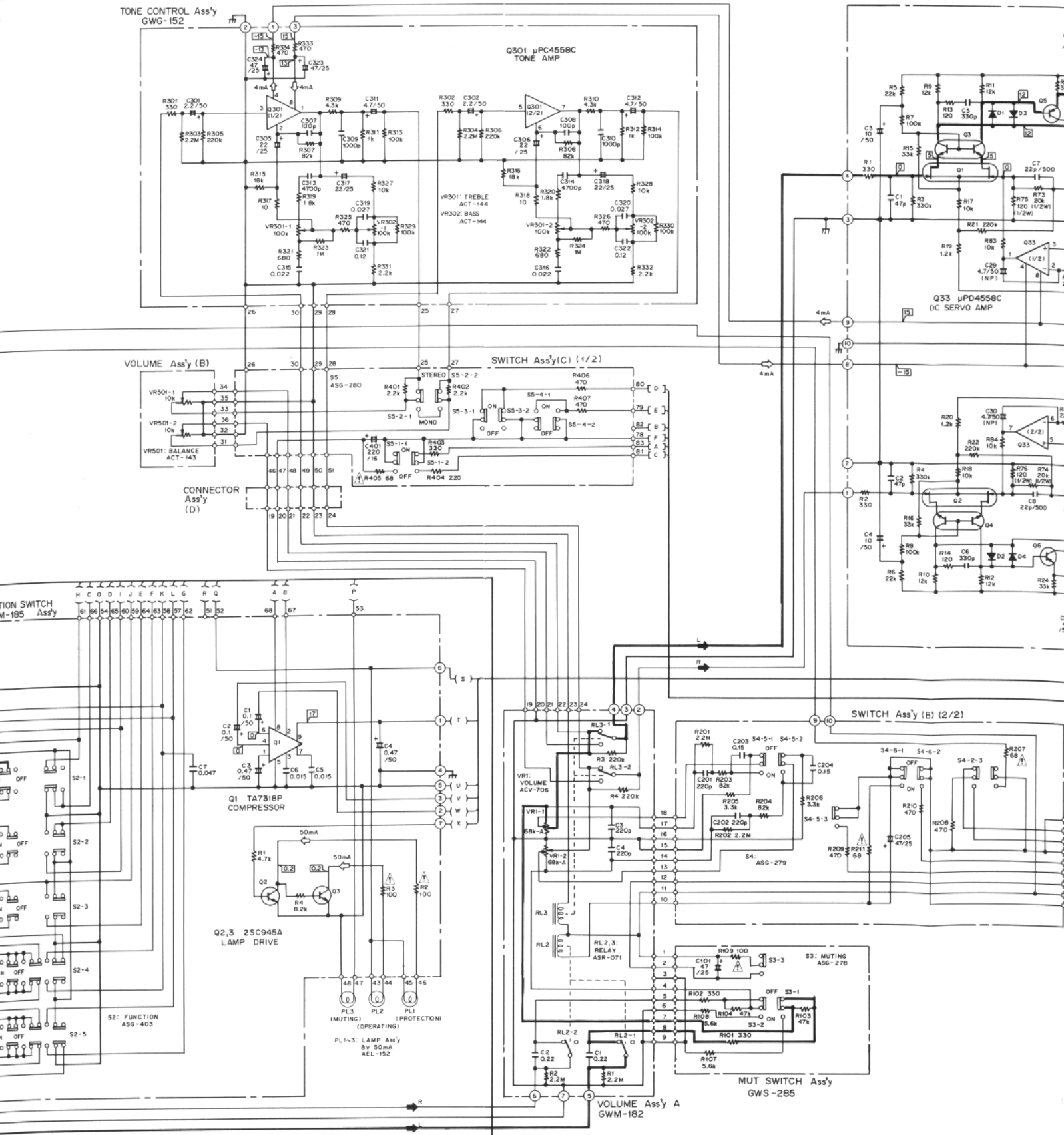


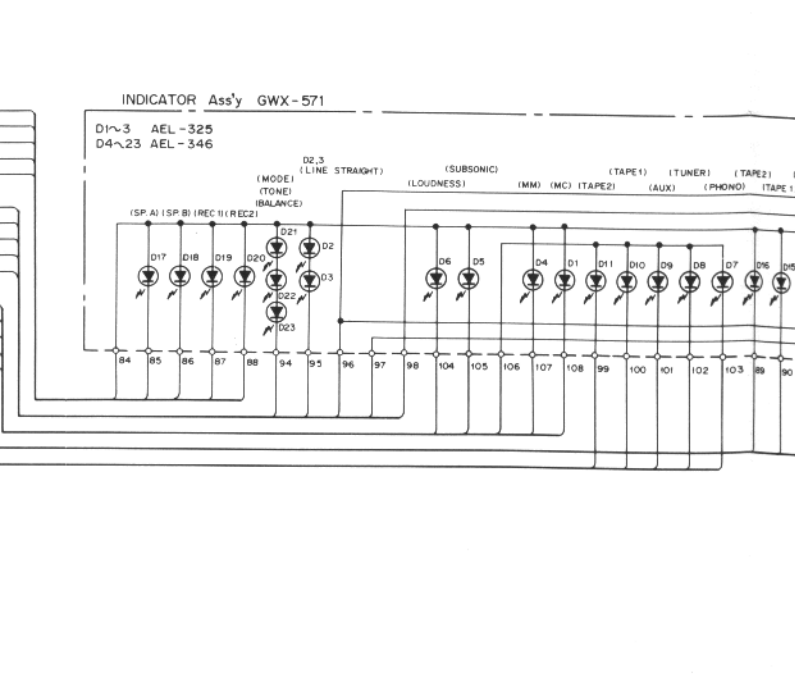
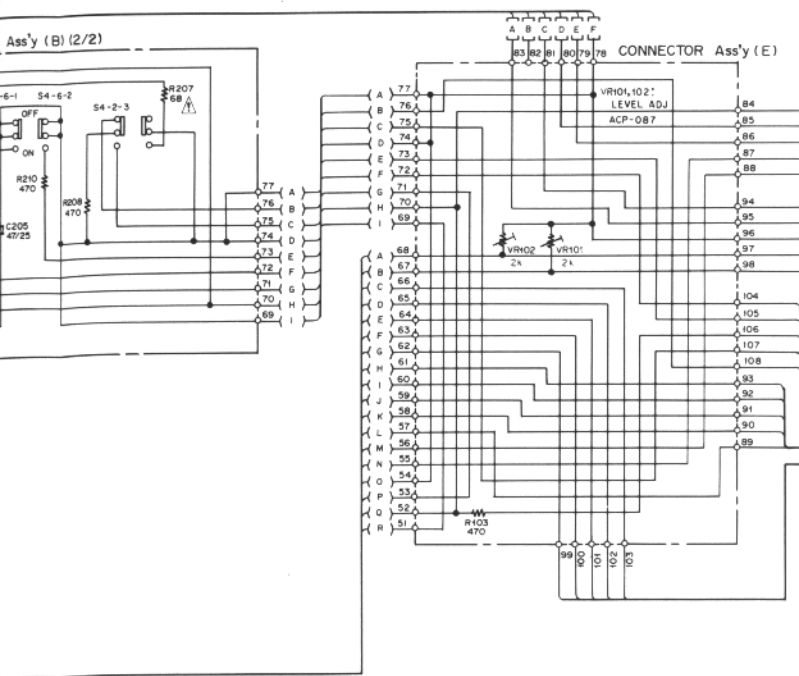
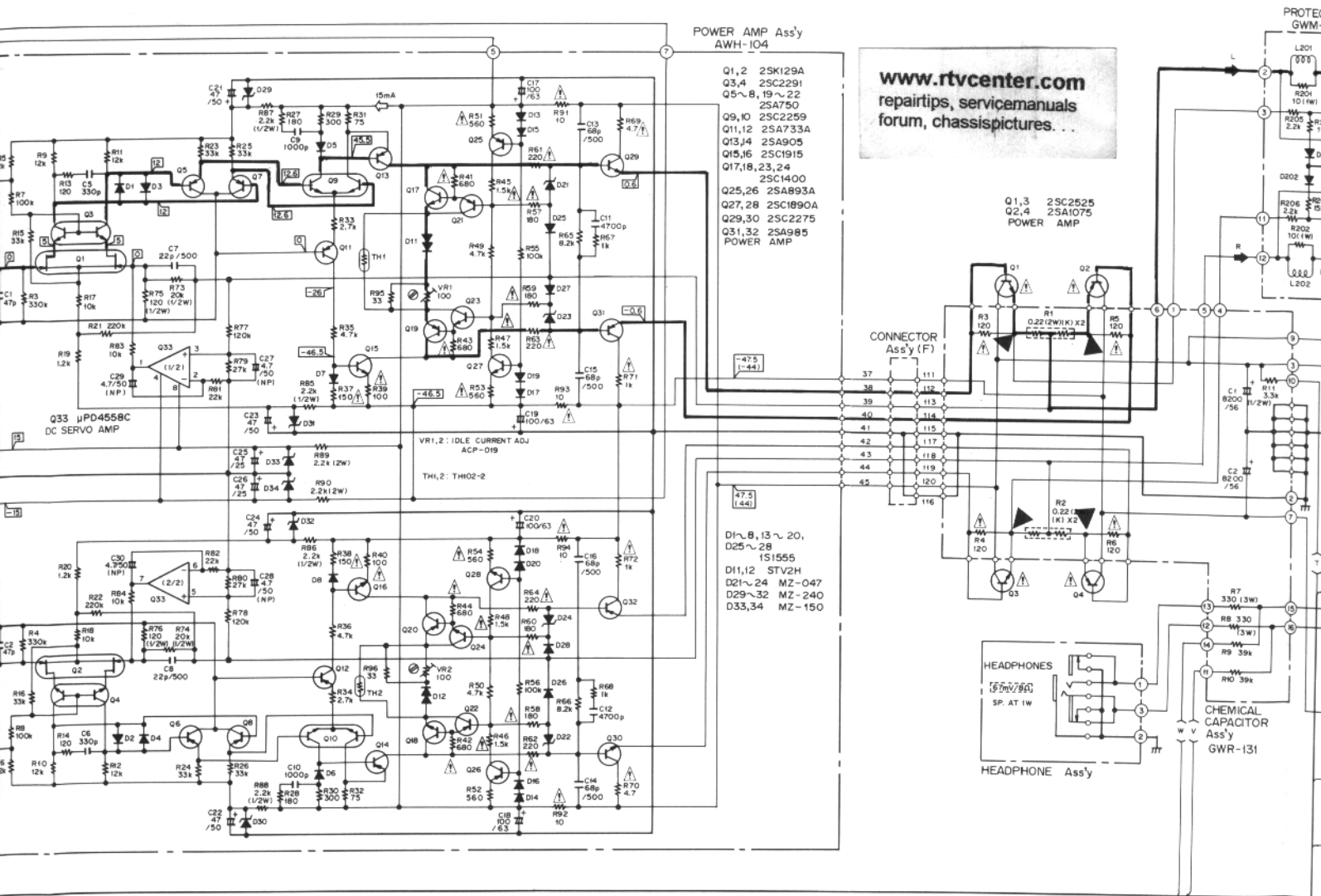
SWITCHES

- S1: REC OUT SELECTOR
2-1-1-2 - SOURCE - PHONO - TUNER - AUX
- S2-1: FUNCTION (PHONO) ON - OFF
- S2-2: FUNCTION (TUNER) ON - OFF
- S2-3: FUNCTION (AUX) ON - OFF
- S2-4: FUNCTION (TAPE 1) ON - OFF
- S2-5: FUNCTION (TAPE 2) ON - OFF
- S3: MUTING (-20dB) ON - OFF
- S4-1: PHONO (MC) ON - OFF
- S4-2: PHONO (MM) ON - OFF
- S4-5: LOUDNESS ON - OFF

- S4-6: SUBSONIC ON - OFF
- S5-1: LINE STRAIGHT ON - OFF
- S5-2: MODE STEREO - MONO
- S5-3: SPEAKER (A) ON - OFF
- S5-4: SPEAKER (B) ON - OFF
- S6: POWER ON - OFF
- S7: VOLTAGE SELECTOR 220V - 240V







NOTE

The indicated semiconductors are representative ones only. Other alternative semiconductors may be used and are listed in the parts list.

1. RESISTORS:

Indicated in Ω, ¼W, ±5% tolerance unless otherwise noted k : kΩ, M : MΩ, (F) : 1%, (G) : 2%, (K) : 10% tolerance

2. CAPACITORS:

Indicated in capacity (µF)/voltage (V) unless otherwise noted p : pF Indication without voltage is 50V except electrolytic capacitor.

3. VOLTAGE CURRENT:

Signal voltage at 70 W + 70 W B1: output (1kHz) DC voltage (V) at no input signal Value in I : is DC voltage at rated power.

4. OTHERS:

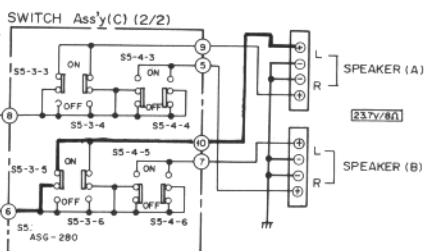
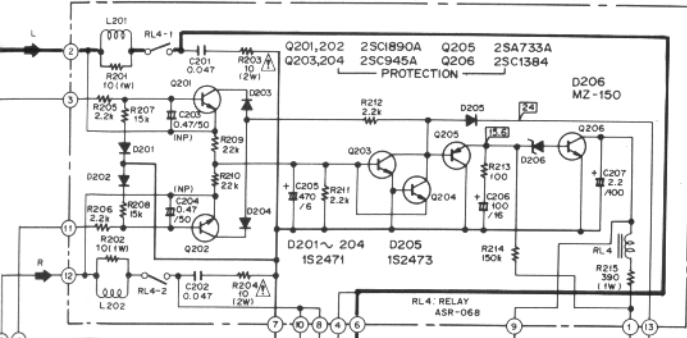
Signal route Adjusting point The mark found on some component parts indicates the importance of the safety factor of the part. Therefore, when replacing, be sure to use parts of identical designation.

SWITCHES:

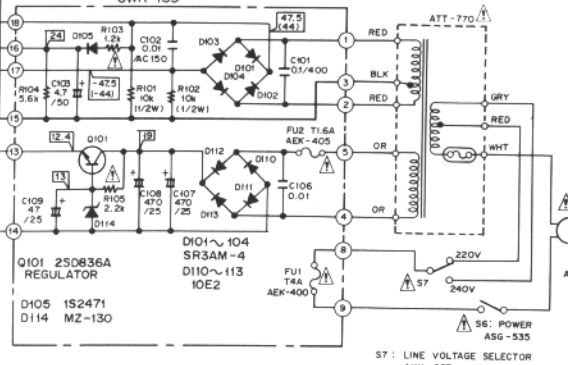
- S1: REC OUT SELECTOR 2 = 1 - 1 = 2 - SOURCE - PHONO - TUNER - AUX S2-1: FUNCTION (PHONO) ON - OFF S2-2: FUNCTION (TUNER) ON - OFF S2-3: FUNCTION (AUX) ON - OFF S2-4: FUNCTION (TAPE 1) ON - OFF S2-5: FUNCTION (TAPE 2) ON - OFF S3: MUTING (-20dB) ON - OFF S4-1: PHONO (MC) ON - OFF S4-2: PHONO (MM) ON - OFF S4-5: LOUDNESS ON - OFF S4-6: SUBSONIC ON - OFF S5-1: LINE STRAIGHT ON - OFF S5-2: MODE STEREO - MONO S5-3: SPEAKER (A) ON - OFF S5-4: SPEAKER (B) ON - OFF S6: POWER ON - OFF S7: LINE VOLTAGE SELECTOR 220V - 240V

The underlined indicates the switch position. This is the basic schematic diagram, but the actual circuit may vary due to improvements in design.

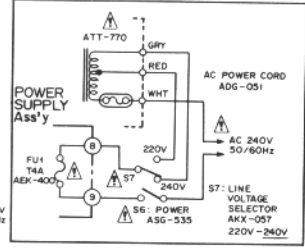
PROTECTION Ass'y GWM-1B1



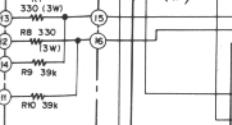
POWER SUPPLY Ass'y GWR-139



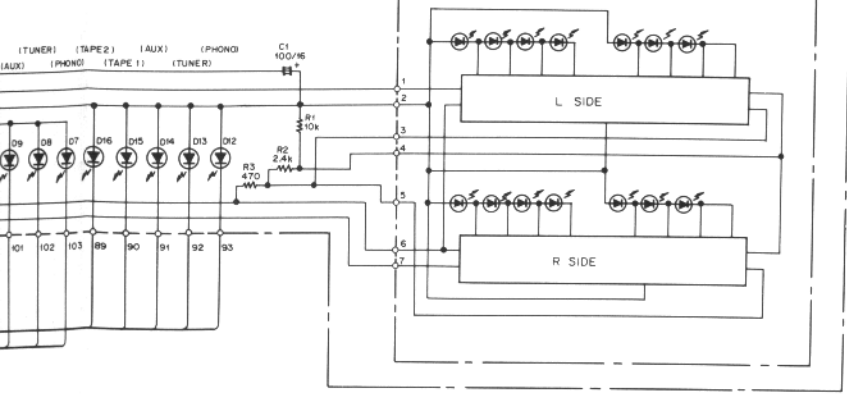
POWER SUPPLY CIRCUIT FOR HB MODEL



CHEMICAL CAPACITOR Ass'y GWR-131



LED METER MODULE AAV-301



A

B

C

D