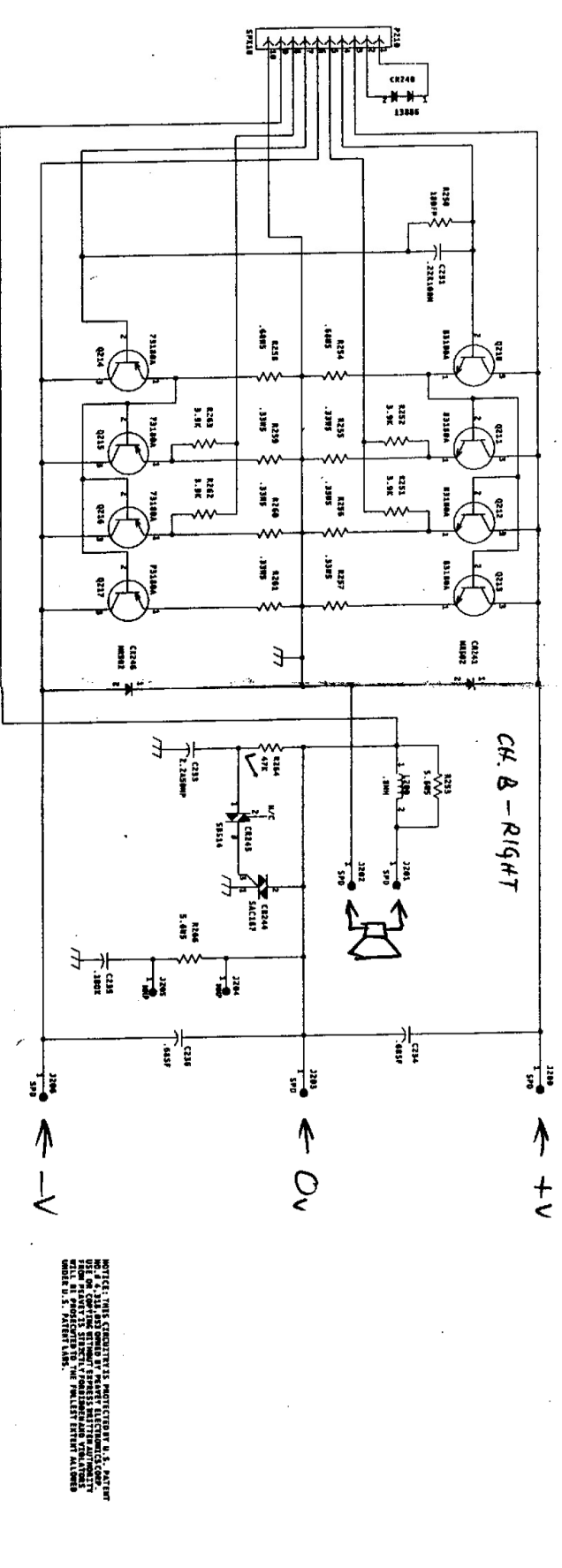
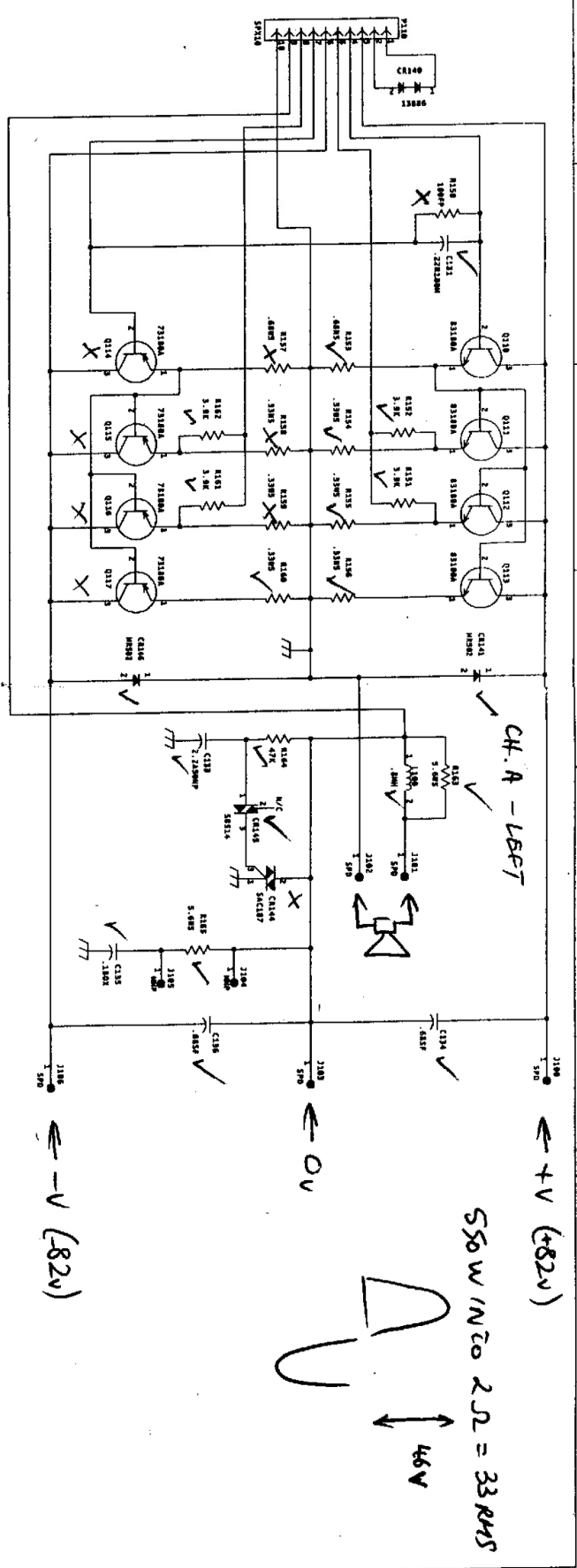


- 1
- 2
- 3 +V
- 4 → DRIVE (+)
- 5 FEEDBACK
- 6 -V
- 7 → DRIVE (-)
- 8 FEEDBACK
- 9 FEEDBACK / 0V
- 10 CHASSIS



NOTICE: THIS SCHEMATIC IS PROTECTED BY U.S. PATENT OFFICE. IT IS THE PROPERTY OF PEAVY ELECTRONICS CORP. AND IS LOANED TO YOU FOR YOUR INFORMATION ONLY. IT IS NOT TO BE REPRODUCED OR TRANSMITTED IN ANY FORM OR BY ANY MEANS, ELECTRONIC OR MECHANICAL, INCLUDING PHOTOCOPYING, RECORDING, OR BY ANY INFORMATION STORAGE AND RETRIEVAL SYSTEM, WITHOUT THE WRITTEN PERMISSION OF PEAVY ELECTRONICS CORP.

PEAVY ELECTRONICS CORP.  
211 N STREET  
WHEELING, MASSACHUSETTS 01891

DATE	REV
08/27/1912	A