

Service Manual

ORDER NO.
RRV3548

INTEGRATED AMPLIFIER

A-A9-S A-A6-S

THIS MANUAL IS APPLICABLE TO THE FOLLOWING MODEL(S) AND TYPE(S).

Model	Type	Power Requirement	Remarks
A-A9-S	WLPWXCN	AC 220 V to 240 V	
A-A6-S	WLPWXCN	AC 220 V to 240 V	

● This service manual should be used together with the following manual(s):

Model No.	Order No.	Remarks
A-A9-J/MYXCN5	RRV3515	

● For SPECIFICATIONS and PANEL FACILITIES, refer to the operating instructions.

1. CONTRAST OF MISCELLANEOUS PARTS

NOTES: ● Parts marked by "NSP" are generally unavailable because they are not in our Master Spare Parts List.

● The \triangle mark found on some component parts indicates the importance of the safety factor of the part. Therefore, when replacing, be sure to use parts of identical designation.

● Screws adjacent to ∇ mark on product are used for disassembly.

● Reference Nos. indicate the pages and Nos. in the service manual for the base model.

● For the applying amount of lubricants or glue, follow the instructions in this manual.

(In the case of no amount instructions, apply as you think it appropriate.)

● When ordering resistors, first convert resistance values into code form as shown in the following examples.

Ex.1 When there are 2 effective digits (any digit apart from 0), such as 560 ohm and 47k ohm (tolerance is shown by J=5%, and K=10%).

560 Ω \rightarrow 56×10^1 \rightarrow 561 RD1/4PU $\begin{matrix} 5 & 6 & 1 \\ \hline & & J \end{matrix}$

47k Ω \rightarrow 47×10^3 \rightarrow 473 RD1/4PU $\begin{matrix} 4 & 7 & 3 \\ \hline & & J \end{matrix}$

0.5 Ω \rightarrow R50 RN2H $\begin{matrix} R & 5 & 0 \\ \hline & & K \end{matrix}$

1 Ω \rightarrow 1R0 RSIP $\begin{matrix} 1 & R & 0 \\ \hline & & K \end{matrix}$

Ex.2 When there are 3 effective digits (such as in high precision metal film resistors).

5.62k Ω \rightarrow 562×10^1 \rightarrow 5621 RN1/4PC $\begin{matrix} 5 & 6 & 2 & 1 \\ \hline & & & F \end{matrix}$

■ CONTRAST TABLE

A-A9-S/WLPWXCXN and A-A9-J/MYXCXN5 are constructed the same except for the following :

Ref. No.	Mark	Symbol and Description	Part No.		Remarks
			A-A9-J /MYXCXN5	A-A9-S /WLPWXCXN	
P10-8	NSP	PCB ASSEMBLIES PCB TOTAL ASSY └ SUB TRANS ASSY	7025HA0604010-IL 702806535A060-IL	7025HA0604050-IL 702806535A0A0-IL	
P7-1 P7-2 P7-5	\triangle	PACKING SECTION POWER CABLE REMOTE CONTROL OPERATING INSTRUCTIONS (English/French/German/Dutch/Italian/Spanish)	L068250160020-IL 8300746900010-IL 5707000000170-IL	L068250100040-IL 8300747100010-IL Not used	
P7-5		OPERATING INSTRUCTIONS (English/Chinese)	Not used	5707000000210-IL	
P7-8 P7-9 P7-10 P7-11	NSP	BOX,GIFT WARRANTY CARD BATTERY COVER LABEL (WEEE) POLY BAG	6007210940010-IL ARY7065 AZN8024 ARW7322 Not used	6007210940050-IL Not used AZN8025 Not used 6330210302000-IL	
	NSP	LABEL (SISIR)	Not used	5507000000690-IL	
P10-1 P10-1-1 P10-14 P10-15 P10-16		EXTERIOR SECTION POWER TRANS L POWER TRANS R CABINET TOP COVER KNOB VOLUME KNOB INPUT	8200900550010-IL 8200900550060-IL 3007210786000-IL 5088211378000-IL 5088211368000-IL	8200900550050-IL 8200900550100-IL 3007210786110-IL 5088211378100-IL 5088211368100-IL	
P10-18 P10-19 P10-20 P10-21 P10-23		PANEL FRONT L GUIDE BADGE GUIDE LENS LENS REMOCON PANEL FRONT R	3067212778000-IL 4357210221000-IL 4357210241000-IL 3710210683000-IL 3067212798000-IL	3067212778010-IL Not used Not used 3710210683100-IL 3067212798020-IL	
P10-24 P10-25 P10-26 P10-33 P10-37	NSP	FRAME PANEL PLATE TOP KNOB POWER CHASSIS MAIN & BACK PANEL SIDE	3217211301000-IL 4477211028000-IL 5087211391000-IL 3207212016200-IL 3067212818000-IL	3217211301100-IL 4477211028010-IL 5087211391010-IL 3207212016230-IL 3067212818010-IL	
P10-66 P10-67		FELT FOOT CAST CUSHION FOOT FOOT CAST	2690210119000-IL Not used 4007210408000-IL	Not used 4050211605000-IL Not used	No. 5
P10-73		FOOT AC INLET	Not used G430019090010-IL	4007210391000-IL G430000180010-IL	No. 6
P10-S6 P10-S7		SCREW (+3S 4*27 S-TYPE BK/BH) SCREW SHEET WASHER RIVET	B020740273B10-IL 1500040103P41-IL Not used Not used Not used	Not used 1500040104P41-IL 1210210492000-IL 1530210132000-IL 1560040046010-IL	No. 1 No. 2 No. 3

Ref. No.	Mark	Symbol and Description	Part No.		Remarks
			A-A9-J /MYXCN5	A-A9-S /WLPWXCN	
		SCREW (+2S 3*6 B-TYPE(DOT) BH/CU) 1P WIRE LUGPIN CN,WIRE CN,WIRE CABLE,FLAT CARD CABLE,FLAT CARD CABLE,FLAT CARD CABLE,FLAT CARD	Not used Not used L000121020210-IL L000221020050-IL N712070843810-IL N712102533810-IL N712143633810-IL N712230843810-IL	B020030066B11-IL N602121010310-IL L000121020210-IL L000201020130-IL N712071343810-IL N712102633810-IL N712143633810-IL N712230943810-IL	No. 4 *2 *3 *4 *5 *6 *7 *8

A-A6-S/WLPWXCN and A-A6-J/MYXCN5 are constructed the same except for the following :

Ref. No.	Mark	Symbol and Description	Part No.		Remarks
			A-A6-J /MYXCN5	A-A6-S /WLPWXCN	
P14- 8	NSP	PCB ASSEMBLIES PCB TOTAL ASSY └ SUB TRANS ASSY	7025HA0603010-IL 702806535A010-IL	7025HA0603050-IL 702806535A050-IL	
	NSP	PCB TOTAL ASSY	7025HA0603011-IL	7025HA0603051-IL	*1
P11- 1 P11- 2 P11- 5	⚠	PACKING SECTION POWER CABLE REMOTE CONTROL OPERATING INSTRUCTIONS (English/French/German/Dutch/Italian/Spanish)	L068250160020-IL 8300747200010-IL 570700000120-IL	L068250100040-IL 8300747400010-IL Not used	
P11- 5		OPERATING INSTRUCTIONS (English/Chinese)	Not used	570700000160-IL	
P11- 8 P11- 9 P11-10 P11-11	NSP	BOX,GIFT WARRANTY CARD BATTERY COVER LABEL (WEEE) POLY BAG	6007210930010-IL ARY7065 AZN8024 ARW7322 Not used	6007210930050-IL Not used AZN8025 Not used 6330210302000-IL	
	NSP	LABEL (SISIR)	Not used	5507000000500-IL	
P14- 1 P14- 1-1 P14-14 P14-15 P14-16		EXTERIOR SECTION POWER TRANS L POWER TRANS R CABINET TOP COVER KNOB VOLUME KNOB INPUT	8200660550340-IL 8200660550390-IL 3007210796000-IL 5088211388000-IL 5088211368000-IL	8200660550380-IL 8200660550430-IL 3007210796110-IL 5088211388100-IL 5088211368100-IL	
P14-18 P14-19 P14-20 P14-21 P14-23		PANEL FRONT L GUIDE BADGE GUIDE LENS LENS REMOCON PANEL FRONT R	3067212788000-IL 4357210221000-IL 4357210241000-IL 3710210683000-IL 3067212808000-IL	3067212788010-IL Not used Not used 3710210683100-IL 3067212808020-IL	
P14-24 P14-25 P14-32 P14-52 P14-65	NSP	FRAME PANEL KNOB POWER CHASSIS MAIN & BACK FOOT AC INLET	3217211311000-IL 5087211391000-IL 3207212016000-IL 4000210391000-IL G430019090010-IL	3217211311100-IL 5087211391010-IL 3207212016030-IL 4007210391000-IL G430000180010-IL	
P14-78 P14-S4		CUSHION CAP SCREW SCREW SHEET WASHER RIVET SCREW (+2S 3*6 B-TYPE(DOT) BH/CU) CN,WIRE CABLE,FLAT CARD CABLE,FLAT CARD CABLE,FLAT CARD	Not used 1500040103P41-IL Not used Not used Not used Not used L000221020050-IL N712102533810-IL N712143633810-IL N712230843810-IL	4050211745000-IL 1500040104P41-IL 1210210492000-IL 1530210132000-IL 1560040046010-IL B020030066B11-IL L000201020130-IL N712102633810-IL N712143633810-IL N712230943810-IL	No. 1 No. 2 No. 3 No. 4 *4 *6 *7 *8

Notes : The numbers in the remarks column correspond to the numbers on the "EXPLODED VIEWS".

For PCB ASSEMBLIES, Refer to "■ CONTRAST OF PCB ASSEMBLIES".

*1 Although 7025HA0603051-IL and 7025HA0603011-IL are different in part number, they have the same components.

*2 TER. BOARD SCREW(BK) - CHASSIS MAIN & BACK

*3 CN711 (AMP LCH ASSY), CN712 (AMP RCH ASSY) - TER. BOARD SCREW(BK), (RD)

*4 CN301 (SUB TRANS ASSY) - AC INLET

*5 CN606 (MOTOR VR ASSY) - CM9916 (STATION ASSY)

*6 CN607 (VR ASSY) - CM9915 (STATION ASSY)

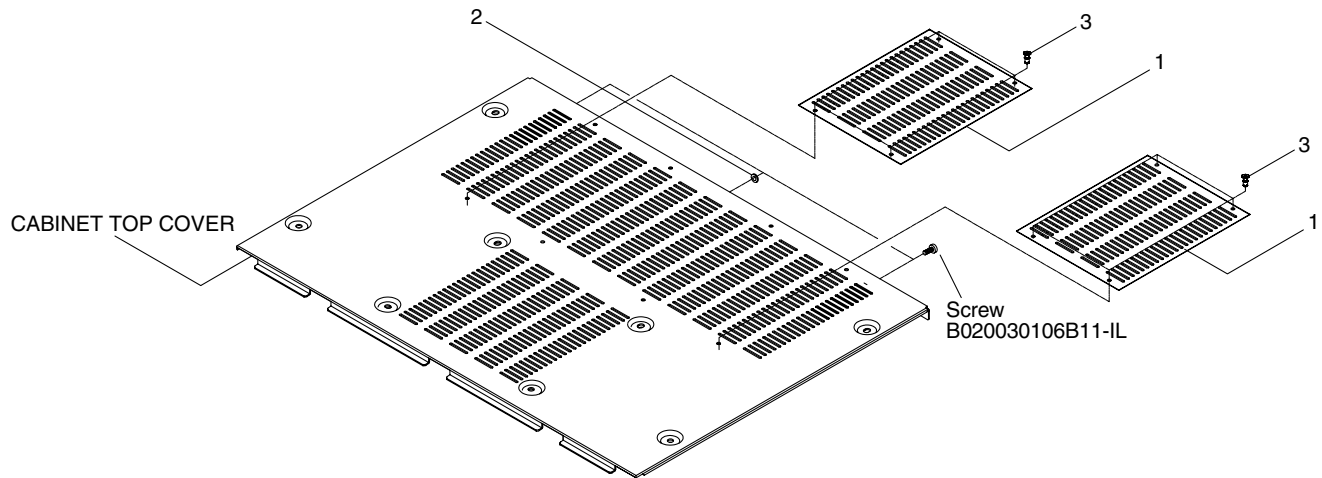
*7 CN608 (FRONT ASSY) - CM9914 (STATION ASSY)

*8 CN102 (FUNCTION ASSY) - CM501 (XM READY/USB ASSY)

■ EXPLODED VIEWS

■ EXTERIOR SECTION (A-A9)

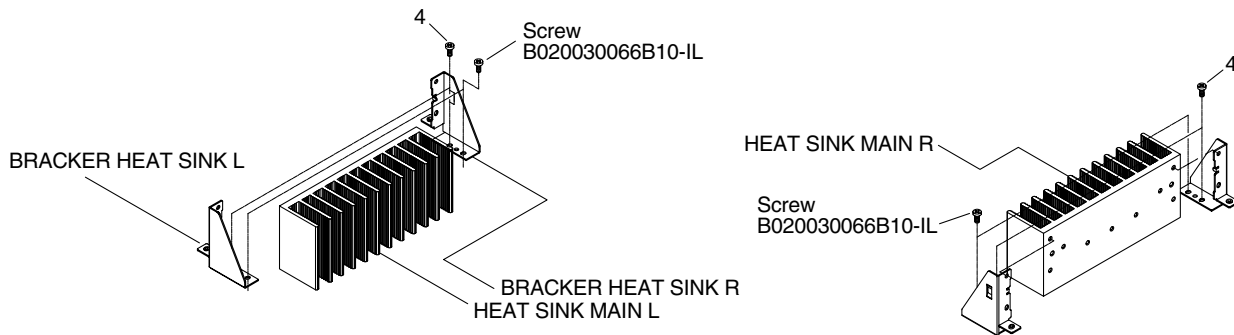
A



B

■

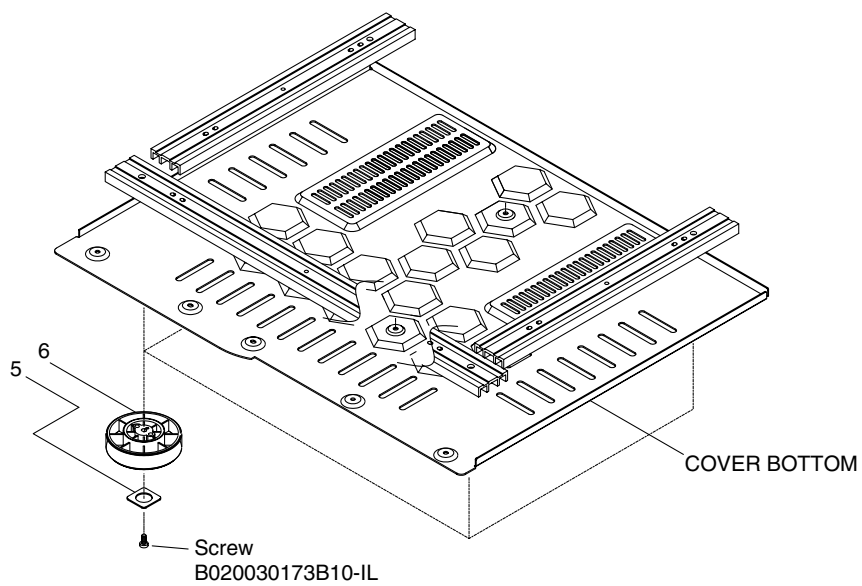
C



D

■

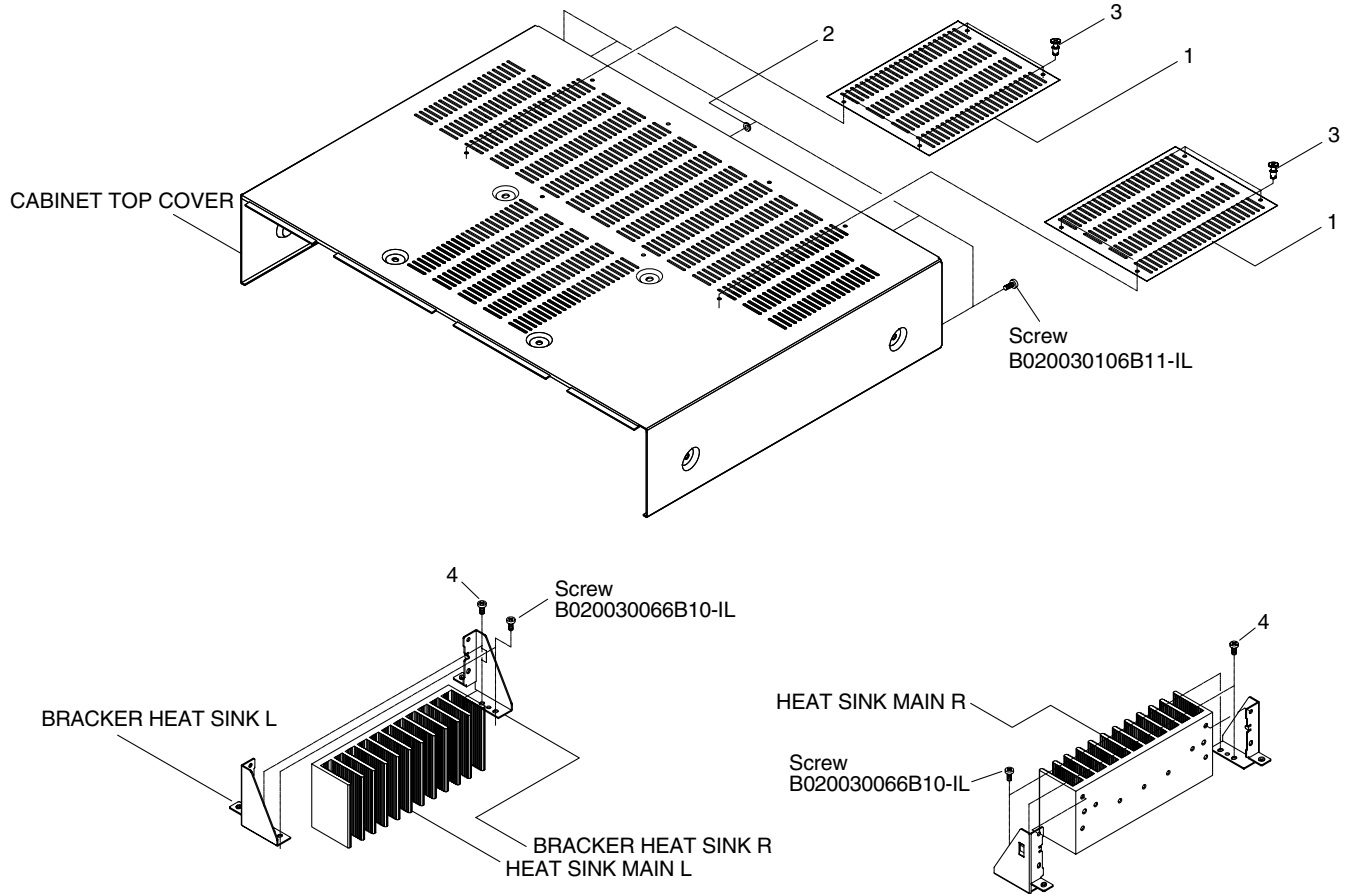
E



F

1 2 3 4

■ EXTERIOR SECTION (A-A6)



■ CONTRAST OF PCB ASSEMBLIES

■ SUB TRANS ASSY

702806535A0A0-IL, 702806535A050-IL and 702806535A060-IL are constructed the same except for the following :

Mark	Symbol and Description	Part No.			Remarks
		702806535A060-IL	702806535A0A0-IL	702806535A050-IL	
⚠	T801 POWER TRANS	8200280150330-IL	8200280150370-IL	8200280150370-IL	