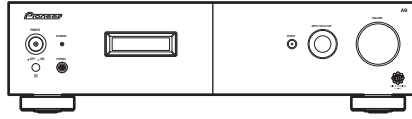


Pioneer

Service Manual



A-A9MK2-K

ORDER NO.
RRV3941

INTEGRATED AMPLIFIER

A-A9MK2-K

A-A6MK2-K

STEREO RECEIVER

SX-A9MK2-K

SX-A6MK2-K

THIS MANUAL IS APPLICABLE TO THE FOLLOWING MODEL(S) AND TYPE(S).

Model	Type	Power Requirement	Remarks
A-A9MK2-K	SYXCN5	AC 220 V to 230 V	
A-A6MK2-K	SYXCN5	AC 220 V to 230 V	
SX-A9MK2-K	CUXCN	AC 120 V	
SX-A6MK2-K	CUXCN	AC 120 V	



For details, refer to "Important Check Points for good servicing".

PIONEER CORPORATION 4-1, Meguro 1-chome, Meguro-ku, Tokyo 153-8654, Japan
PIONEER ELECTRONICS (USA) INC. P.O. Box 1760, Long Beach, CA 90801-1760, U.S.A.
PIONEER EUROPE NV Haven 1087, Keetberglaan 1, 9120 Melsele, Belgium
PIONEER ELECTRONICS ASIACENTRE PTE. LTD. 253 Alexandra Road, #04-01, Singapore 159936
©PIONEER CORPORATION 2009

T-ZZK JUNE 2009 Printed in Japan

SAFETY INFORMATION



This service manual is intended for qualified service technicians; it is not meant for the casual do-it-yourselfer. Qualified technicians have the necessary test equipment and tools, and have been trained to properly and safely repair complex products such as those covered by this manual.

Improperly performed repairs can adversely affect the safety and reliability of the product and may void the warranty. If you are not qualified to perform the repair of this product properly and safely, you should not risk trying to do so and refer the repair to a qualified service technician.

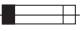
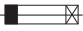
WARNING

This product may contain a chemical known to the State of California to cause cancer, or birth defects or other reproductive harm.

Health & Safety Code Section 25249.6 - Proposition 65

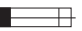
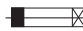
NOTICE

(FOR CANADIAN MODEL ONLY)

Fuse symbols  (fast operating fuse) and/or  (slow operating fuse) on PCB indicate that replacement parts must be of identical designation.

REMARQUE

(POUR MODÈLE CANADIEN SEULEMENT)

Les symboles de fusible  (fusible de type rapide) et/ou  (fusible de type lent) sur CCI indiquent que les pièces de remplacement doivent avoir la même désignation.

(FOR USA MODEL ONLY)

1. SAFETY PRECAUTIONS

The following check should be performed for the continued protection of the customer and service technician.

LEAKAGE CURRENT CHECK

Measure leakage current to a known earth ground (water pipe, conduit, etc.) by connecting a leakage current tester such as Simpson Model 229-2 or equivalent between the earth ground and all exposed metal parts of the appliance (input/output terminals, screwheads, metal overlays, control shaft, etc.). Plug the AC line cord of the appliance directly into a 120V AC 60 Hz outlet and turn the AC power switch on. Any current measured must not exceed 0.5 mA.

ANY MEASUREMENTS NOT WITHIN THE LIMITS OUTLINED ABOVE ARE INDICATIVE OF A POTENTIAL SHOCK HAZARD AND MUST BE CORRECTED BEFORE RETURNING THE APPLIANCE TO THE CUSTOMER.

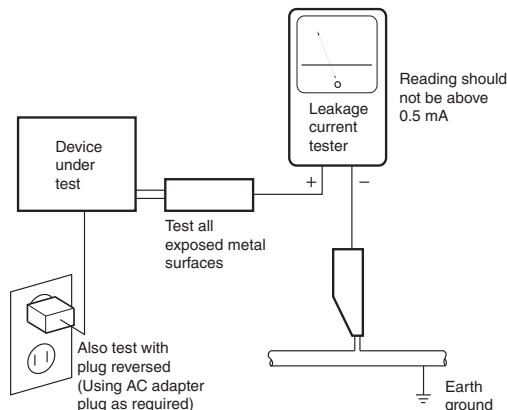
2. PRODUCT SAFETY NOTICE

Many electrical and mechanical parts in the appliance have special safety related characteristics. These are often not evident from visual inspection nor the protection afforded by them necessarily can be obtained by using replacement components rated for voltage, wattage, etc. Replacement parts which have these special safety characteristics are identified in this Service Manual.

Electrical components having such features are identified by marking with a Δ on the schematics and on the parts list in this Service Manual.

The use of a substitute replacement component which does not have the same safety characteristics as the PIONEER recommended replacement one, shown in the parts list in this Service Manual, may create shock, fire, or other hazards.

Product Safety is continuously under review and new instructions are issued from time to time. For the latest information, always consult the current PIONEER Service Manual. A subscription to, or additional copies of, PIONEER Service Manual may be obtained at a nominal charge from PIONEER.



[Important Check Points for Good Servicing]

In this manual, procedures that must be performed during repairs are marked with the below symbol. Please be sure to confirm and follow these procedures.

1. Product safety



Please conform to product regulations (such as safety and radiation regulations), and maintain a safe servicing environment by following the safety instructions described in this manual.

- ① Use specified parts for repair.

Use genuine parts. Be sure to use important parts for safety.

- ② Do not perform modifications without proper instructions.

Please follow the specified safety methods when modification (addition/change of parts) is required due to interferences such as radio/TV interference and foreign noise.

- ③ Make sure the soldering of repaired locations is properly performed.

When you solder while repairing, please be sure that there are no cold solder and other debris. Soldering should be finished with the proper quantity. (Refer to the example)

- ④ Make sure the screws are tightly fastened.

Please be sure that all screws are fastened, and that there are no loose screws.

- ⑤ Make sure each connectors are correctly inserted.

Please be sure that all connectors are inserted, and that there are no imperfect insertion.

- ⑥ Make sure the wiring cables are set to their original state.

Please replace the wiring and cables to the original state after repairs. In addition, be sure that there are no pinched wires, etc.

- ⑦ Make sure screws and soldering scraps do not remain inside the product.

Please check that neither solder debris nor screws remain inside the product.

- ⑧ There should be no semi-broken wires, scratches, melting, etc. on the coating of the power cord.

Damaged power cords may lead to fire accidents, so please be sure that there are no damages. If you find a damaged power cord, please exchange it with a suitable one.

- ⑨ There should be no spark traces or similar marks on the power plug.

When spark traces or similar marks are found on the power supply plug, please check the connection and advise on secure connections and suitable usage. Please exchange the power cord if necessary.

- ⑩ Safe environment should be secured during servicing.

When you perform repairs, please pay attention to static electricity, furniture, household articles, etc. in order to prevent injuries. Please pay attention to your surroundings and repair safely.

2. Adjustments



To keep the original performance of the products, optimum adjustments and confirmation of characteristics within specification. Adjustments should be performed in accordance with the procedures/instructions described in this manual.

3. Lubricants, Glues, and Replacement parts



Use grease and adhesives that are equal to the specified substance. Make sure the proper amount is applied.

4. Cleaning



For parts that require cleaning, such as optical pickups, tape deck heads, lenses and mirrors used in projection monitors, proper cleaning should be performed to restore their performances.

5. Shipping mode and Shipping screws



To protect products from damages or failures during transit, the shipping mode should be set or the shipping screws should be installed before shipment. Please be sure to follow this method especially if it is specified in this manual.

CONTENTS

	SAFETY INFORMATION	2
	1. SERVICE PRECAUTIONS	5
A	1.1 NOTES ON SOLDERING	5
	1.2 DISCHARGE OF POWER AMPLIFIER	5
	2. SPECIFICATIONS	6
	2.1 SPECIFICATIONS	6
	2.2 PANEL FACILITIES	10
	3. BASIC ITEMS FOR SERVICE	15
	3.1 PCB LOCATIONS	15
	4. BLOCK DIAGRAM	18
	4.1 OVERALL WIRING DIAGRAM	18
	4.2 OVERALL BLOCK DIAGRAM	20
	5. DIAGNOSIS	22
	5.1 TROUBLESHOOTING	22
B	5.2 SPECIFICATION OF PROTECTIVE OPERATION	23
	6. SERVICE MODE	23
	7. DISASSEMBLY	24
	8. EACH SETTING AND ADJUSTMENT	32
	8.1 ADJUSTMENT	32
	9. EXPLODED VIEWS AND PARTS LIST	33
	9.1 PACKING SECTION (A-A9MK2-K)	33
	9.2 EXTERIOR SECTION (A-A9MK2-K)	34
	9.3 PACKING SECTION (A-A6MK2-K)	38
	9.4 EXTERIOR SECTION (A-A6MK2-K)	40
	9.5 PACKING SECTION (SX-A9MK2-K)	44
	9.6 EXTERIOR SECTION (SX-A9MK2-K)	46
C	9.7 PACKING SECTION (SX-A6MK2-K)	49
	9.8 EXTERIOR SECTION (SX-A6MK2-K)	50
	10. SCHEMATIC DIAGRAM	54
	10.1 FUNCTION and HEADPHONE ASSYS	54
	10.2 FRONT, REMOCON, STATION, POWER LED and ENCODER SW ASSYS	56
	10.3 XM-READY ASSY	58
	10.4 AMP LCH, AMP RCH, PROTECTION L-CH and PROTECTION R-CH ASSYS	60
	10.5 REG IC, SUB TRANS, POWER SW and MAIN ASSYS	62
	11. PCB CONNECTION DIAGRAM	64
	11.1 FUNCTION and HEADPHONE ASSYS	64
	11.2 FRONT, REMOCON, POWER LED and ENCODER SW ASSYS	66
D	11.3 STATION ASSY	68
	11.4 XM-READY ASSY	70
	11.5 AMP LCH, PROTECTION L-CH and SPEAKER L-CH ASSY	72
	11.6 AMP RCH, PROTECTION R-CH and SPEAKER R-CH ASSY	74
	11.7 REG IC and MAIN ASSYS	76
	11.8 SUB TRANS and POWER SW ASSYS	78
	12. PCB PARTS LIST	79

E

F

1. SERVICE PRECAUTIONS

1.1 NOTES ON SOLDERING

- For environmental protection, lead-free solder is used on the printed circuit boards mounted in this unit.
Be sure to use lead-free solder and a soldering iron that can meet specifications for use with lead-free solders for repairs accompanied by reworking of soldering.
- Compared with conventional eutectic solders, lead-free solders have higher melting points, by approximately 40 °C. Therefore, for lead-free soldering, the tip temperature of a soldering iron must be set to around 373 °C in general, although the temperature depends on the heat capacity of the PC board on which reworking is required and the weight of the tip of the soldering iron.

Do NOT use a soldering iron whose tip temperature cannot be controlled.

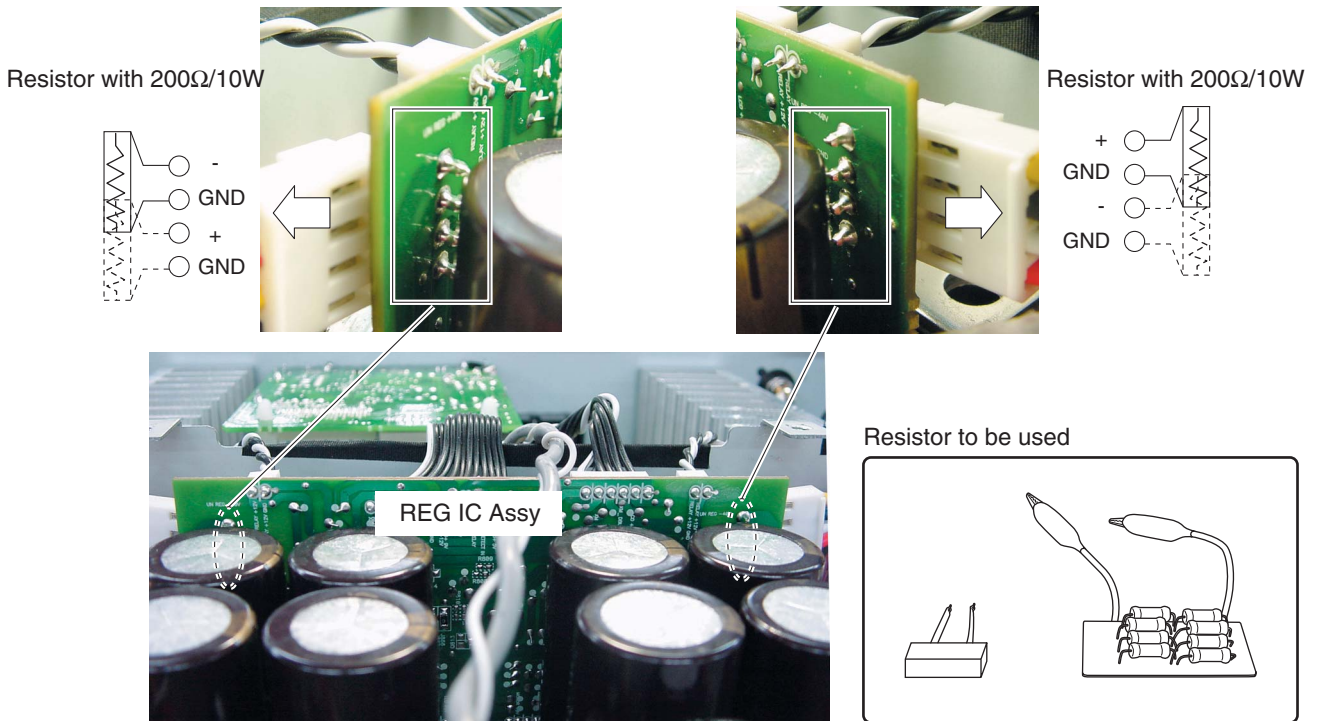
Compared with eutectic solders, lead-free solders have higher bond strengths but slower wetting times and higher melting temperatures (hard to melt/easy to harden).

The following lead-free solders are available as service parts:

- Parts numbers of lead-free solder:
GYP1006 1.0 in dia.
GYP1007 0.6 in dia.
GYP1008 0.3 in dia.

1.2 DISCHARGE OF POWER AMPLIFIER

1. Turn off the power of the product.
2. Discharge both ends of capacitor of Power Assy by short-circuiting (connector GND and +, connector GND and -) using a resistor with 200Ω/10W (and above) for 30 seconds.



2. SPECIFICATIONS

2.1 SPECIFICATIONS

A A-A9

Amplifier section

Power output specification is for when power supply is 230 V.

- **Continuous power output (both channels driven at 20 Hz to 20 kHz)****

THD 0.2 %, 4 Ω 70 W + 70 W

THD 0.2 %, 8 Ω 55 W + 55 W

- **Continuous power output (both channels driven at 1 kHz)**

THD 0.7 %, 4 Ω 73 W + 73 W

THD 0.7 %, 8 Ω 58 W + 58 W

- **Total harmonic distortion****

20 Hz to 20 kHz, 25 W, 8 Ω 0.05 %*

* Measured with DIRECT button switched on.

** Measured by Audio Spectrum Analyzer

Audio section

- **Input (Sensitivity/Impedance)**

CD, TAPE, TUNER, AUX 200 mV/22 kΩ

PHONO (MM) 2.8 mV/47 kΩ

PHONO (MC) 0.3 mV/100 Ω

- **Frequency response**

CD, TAPE, TUNER, AUX

..... 5 Hz to 100 kHz ± 0.3 dB

PHONO (MM) 20 Hz to 20 kHz ± 0.2 dB

PHONO (MC) 20 Hz to 20 kHz ± 0.3 dB

- **PHONO (MM) overload level**

1 kHz, THD 0.2 % 60 mV

- **PHONO (MC) overload level**

1 kHz, THD 0.2 % 6 mV

- **Output (Level/Impedance)**

TAPE REC 200 mV/1 kΩ

- **Tone control**

Bass ± 10 dB (100 Hz)

Treble ± 10 dB (10 kHz)

- **Signal-to-Noise Ratio (IHF SHORTED, A-NETWORK)**

CD, TAPE, TUNER, AUX (200 mV input) .. 103 dB

PHONO (MM, 2.8 mV input) 80 dB

PHONO (MC, 0.2 mV input) 70 dB

Miscellaneous

Power requirements

..... AC 220 V to 230 V, 50 Hz/60 Hz

Power consumption 200 W

In standby 0.8 W

Dimensions

..... 420 mm (W) x 113 mm (H) x 369 mm (D)

Weight (without package) 11.5 kg

Accessories

Remote control 1

AAA/IEC R03 dry cell batterie 2

Power cord 1

Warranty card 1

Operating instructions



Note

- Specifications and the design are subject to possible modifications without notice, due to improvements.

A-A6

Amplifier section

Power output specification is for when power supply is 230 V.

- **Continuous power output (both channels driven at 20 Hz to 20 kHz)****

THD 0.2 % 60 W + 60 W

THD 0.2 % 45 W + 45 W

- **Continuous power output (both channels driven at 1 kHz)**

THD 0.7 %, 4 Ω 70 W + 70 W

THD 0.7 %, 8 Ω 47 W + 47 W

- **Total harmonic distortion****

20 Hz to 20 kHz, 25 W, 8 Ω 0.05 %*

* Measured with DIRECT button switched on.

** Measured by Audio Spectrum Analyzer

Audio section

- **Input (Sensitivity/Impedance)**

CD, TAPE, TUNER, AUX 200 mV/22 kΩ

PHONO (MM) 2.8 mV/47 kΩ

- **Frequency response**

CD, TAPE, TUNER, AUX. 5 Hz to 100 kHz ± 0.3 dB

PHONO (MM) 20 Hz to 20 kHz ± 0.2 dB

- **PHONO (MM) overload level**

1 kHz, THD 0.2 % 60 mV

- **Output (Level/Impedance)**

TAPE REC 200 mV/1 kΩ

- **Tone control**

Bass ± 10 dB (100 Hz)

Treble ± 10 dB (10 kHz)

- **Signal-to-Noise Ratio (IHF SHORTED, A-NETWORK)**

CD, TAPE, TUNER, AUX (200 mV input) . . . 103 dB

PHONO (MM, 2.8 mV input) 80 dB

Miscellaneous

Power requirements

..... AC 220 V to 230 V, 50 Hz/60 Hz

Power consumption 170 W

In standby 0.8 W

Dimensions

..... 420 mm (W) x 100 mm (H) x 359 mm (D)

Weight (without package) 10 kg

Accessories

Remote control 1

AAA/IEC R03 dry cell batteries 2

Power cord 1

Warranty card 1

Operating instructions



Note

- Specifications and the design are subject to possible modifications without notice, due to improvements.

Cleaning the unit

- Use a polishing cloth or dry cloth to wipe off dust and dirt.
- When the surface is dirty, wipe with a soft cloth dipped in some neutral cleanser diluted five or six times with water, and wrung out well, and then wipe again with a dry cloth. Do not use furniture wax or cleansers.
- Never use thinners, benzine, insecticide sprays or other chemicals on or near this unit, since these will corrode the surface.

Published by Pioneer Corporation.
Copyright © 2009 Pioneer Corporation.
All rights reserved.

A SX-A9

Audio section

• Input (Sensitivity/Impedance)

- CD, TAPE, AUX 200 mV/22 kΩ
- PHONO (MM)..... 2.8 mV/47 kΩ
- PHONO (MC) 0.3 mV/100 Ω

• Frequency response

- CD, TAPE, AUX 5 Hz to 100 kHz \pm_{-3}^0 dB
- PHONO (MM)..... 20 Hz to 20 kHz ± 0.2 dB
- PHONO (MC) 20 Hz to 20 kHz ± 0.3 dB

• PHONO (MM) overload level

- 1 kHz, THD 0.2 % 60 mV

• PHONO (MC) overload level

- 1 kHz, THD 0.2 % 6 mV

• Output (Level/Impedance)

- TAPE REC. 200 mV/1 k Ω

• Tone control

- Bass ± 10 dB (100 Hz)
- Treble ± 10 dB (10 kHz)

• Signal-to-Noise Ratio (IHF SHORTED, A-Network)

- CD, TAPE, AUX (200 mV input)..... 103 dB
- PHONO (MM, 2.8 mV input) 80 dB
- PHONO (MC, 0.2 mV input) 70 dB

• FM Tuner Section

- Frequency Range..... 87.5 MHz to 108 MHz
- Usable Sensitivity Mono:13.2 dBf, IHF
(1.3 μV/ 75 Ω)
- 50 dB Quieting Sensitivity..... Mono: 20.2 dB
Stereo: 38.6 dBf
- Signal-to-Noise Ratio... Mono: 73 dB (at 85 dBf)
Stereo: 70 dB (at 85 dBf)
- Distortion Stereo: 0.5 % (1 kHz)
- Alternate Channel Selectivity ... 60 dB (400 kHz)
- Stereo Separation 40 dB (1 kHz)
- Frequency Response..... 30 Hz to 15 kHz
(± 1 dB)
- Antenna Input 75 Ω unbalanced

• AM Tuner Section

- Frequency Range 530 kHz to 1700 kHz
- Sensitivity (IHF, Loop antenna) 350 μV/m
- Signal-to-Noise Ratio 50 dB
- Antenna..... Loop antenna

Miscellaneous

- Power requirements..... AC 120 V, 50 Hz/60 Hz
- Power consumption..... 200 W
- Power consumption (standby) 0.8 W
- Dimensions
..... 420 mm (W) x 113 mm (H) x 369 mm (D)
(16 ⁹/₁₆ in. (W) x 4 ⁷/₁₆ in. (H) x 14 ¹⁷/₃₂ in. (D))
- Weight (without package)
..... 11.5 kg (25 lb. 6 oz.)

Accessories

- Remote control 1
- AAA/IEC R03 dry cell batteries 2
- AM loop antenna 1
- FM wire antenna..... 1
- Power cord 1
- Warranty card 1
- Operating instructions



Note

- Specifications and the design are subject to possible modifications without notice, due to improvements.

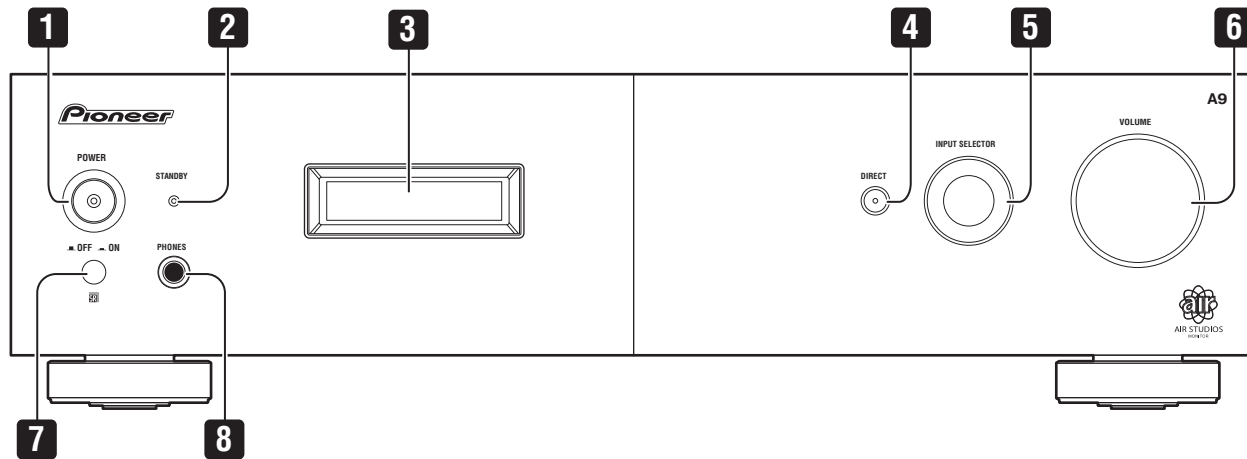
Cleaning the unit

- Use a polishing cloth or dry cloth to wipe off dust and dirt.
- When the surface is dirty, wipe with a soft cloth dipped in some neutral cleanser diluted five or six times with water, and wrung out well, and then wipe again with a dry cloth. Do not use furniture wax or cleansers.
- Never use thinners, benzene, insecticide sprays or other chemicals on or near this unit, since these will corrode the surface.

Published by Pioneer Corporation.
Copyright © 2009 Pioneer Corporation.
All rights reserved.

2.2 PANEL FACILITIES

Front panel



1 POWER ■ OFF — ON ¹

2 STANDBY indicator

3 Display (below)

4 DIRECT

Press to switch the Direct listening feature on or off.

5 INPUT SELECTOR dial

Selects an input source.

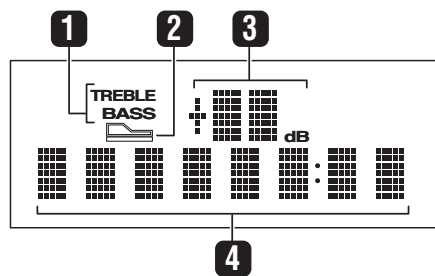
6 VOLUME

7 Remote sensor

8 PHONES jack

Use to connect headphones (when connected, there is no sound output from the speakers).

Display



1 Tone control indicators

TREBLE – Lights when high-range tone adjustment is applied.

BASS – Lights when low-range tone adjustment is applied.

2 Sound Retriever indicator

Lights when the Sound Retriever function is enabled.

3 Master volume level

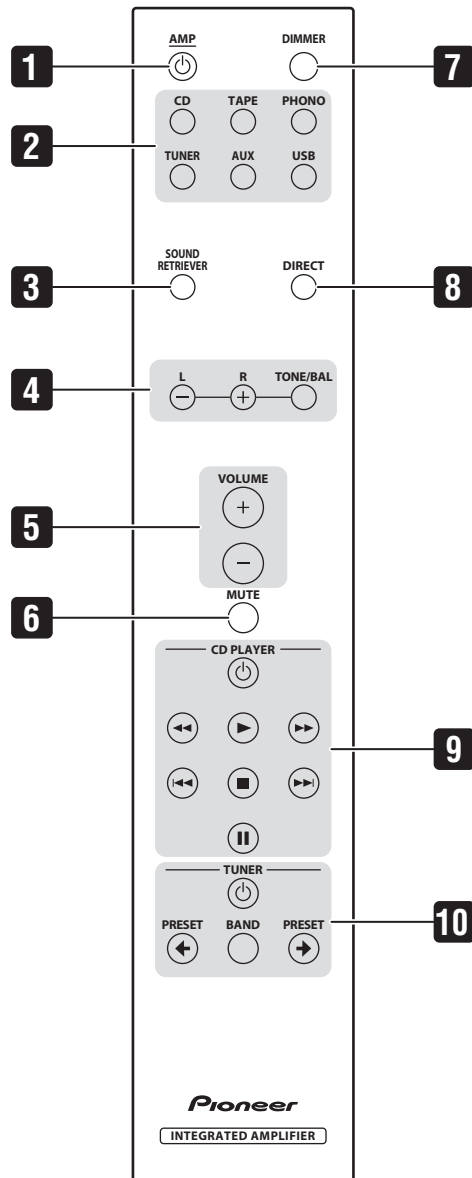
4 Character display

Displays various system information.

Note

1 When the unit is in the standby mode, if the power is turned off by pressing the main unit's **POWER** button, the power will not turn on if the button is pressed again. To turn on the power in this case, press either the remote control unit's **AMP** ⏻ button or the **DIRECT** button on the main unit for about five seconds.

Remote control A-A9



1 AMP

Switches the amplifier between standby and on.

2 Input selector buttons

Press to select an input source. These select the component connected to the corresponding input on the rear panel.

3 SOUND RETRIEVER

Press to switch the Sound Retriever on/off.

4 TONE/BAL controls

Use to adjust the tone and balance.

5 VOLUME +/-

Use to set the listening volume.

6 MUTE

Mutes/unmutes the sound.

7 DIMMER

Dims or brightens the display (or switches the backlight off).

8 DIRECT

Press to access Direct listening.

9 CD PLAYER control buttons

Use to control Pioneer CD player.

10 TUNER control buttons

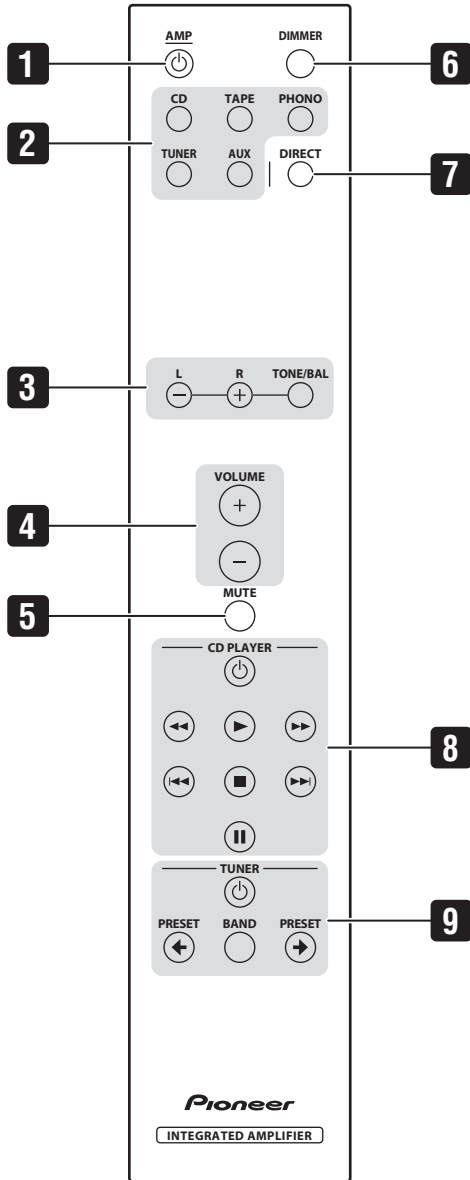
Use to control Pioneer tuner.

Using the remote control

Keep in mind the following when using the remote control:

- Make sure that there are no obstacles between the remote and the remote sensor on the unit.
- The remote has a range of about 7 m at an angle of about 30° from the remote sensor.
- Remote operation may become unreliable if strong sunlight or fluorescent light is shining on the unit's remote sensor.
- Remote controllers for different devices can interfere with each other. Avoid using remotes for other equipment located close to this unit.
- Replace the batteries when you notice a fall off in the operating range of the remote.

A Remote control A-A6



5 MUTE

Mutes/unmutes the sound.

6 DIMMER

Dims or brightens the display (or switches the backlight off).

7 DIRECT

Press to access Direct listening.

8 CD PLAYER control buttons

Use to control Pioneer CD player.

9 TUNER control buttons

Use to control Pioneer tuner.

Using the remote control

Keep in mind the following when using the remote control:

- Make sure that there are no obstacles between the remote and the remote sensor on the unit.
- The remote has a range of about 7 m at an angle of about 30° from the remote sensor.
- Remote operation may become unreliable if strong sunlight or fluorescent light is shining on the unit's remote sensor.
- Remote controllers for different devices can interfere with each other. Avoid using remotes for other equipment located close to this unit.
- Replace the batteries when you notice a fall off in the operating range of the remote.

1 AMP

Switches the amplifier between standby and on.

2 Input selector buttons

Press to select an input source. These select the component connected to the corresponding input on the rear panel.

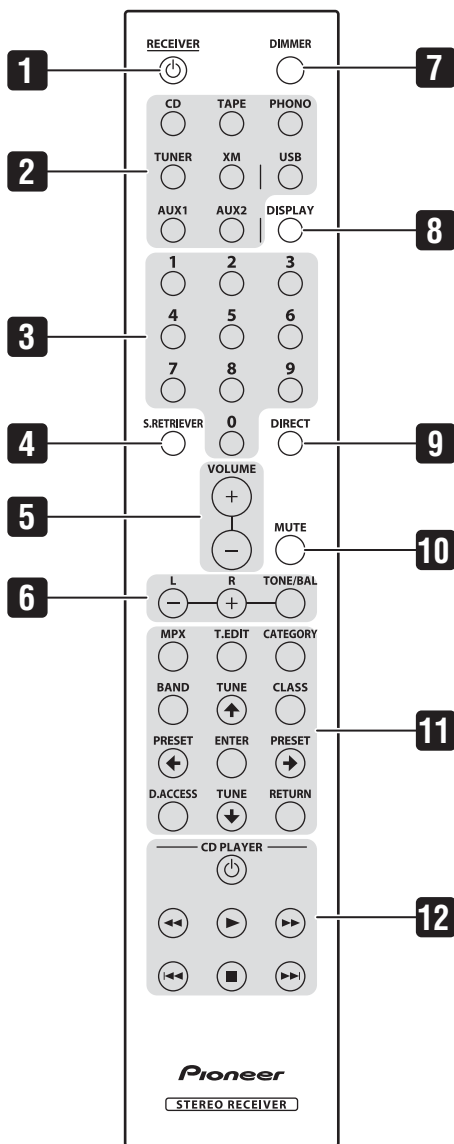
3 TONE/BAL controls

Use to adjust the tone and balance.

4 VOLUME +/-

Use to set the listening volume.

Remote control SX-A9



1 AMP

Switches the receiver between standby and on.

2 Input select buttons

Press to select an input source.

3 Number buttons

Use the number buttons to directly select a radio frequency.

4 S. RETRIEVER

Press to switch the Sound Retriever on/off.

5 VOLUME +/-

Use to set the listening volume.

6 TONE/BAL controls

Use to adjust the tone and balance.

7 DIMMER

Dims or brightens the display (or switches the backlight off).

8 DISPLAY (XM Radio only)

Switches between named station presets and radio frequencies.

9 DIRECT

Press to access Direct listening.

10 MUTE

Mutes/unmutes the sound.

11 Tuner and XM Radio controls

MPX (Tuner only) – Switches between stereo and mono reception of FM broadcasts.

T.EDIT – Memorizes/names stations for recall.

CATEGORY (XM Radio only) – Press to browse digital radio broadcasts.

BAND (Tuner only) – Switches between the AM and FM bands.

CLASS – Switches between the three banks of radio station presets.

D.ACCESS – Press to access a radio station directly using the number buttons.

RETURN (XM Radio only) – Press to confirm and exit the current menu.

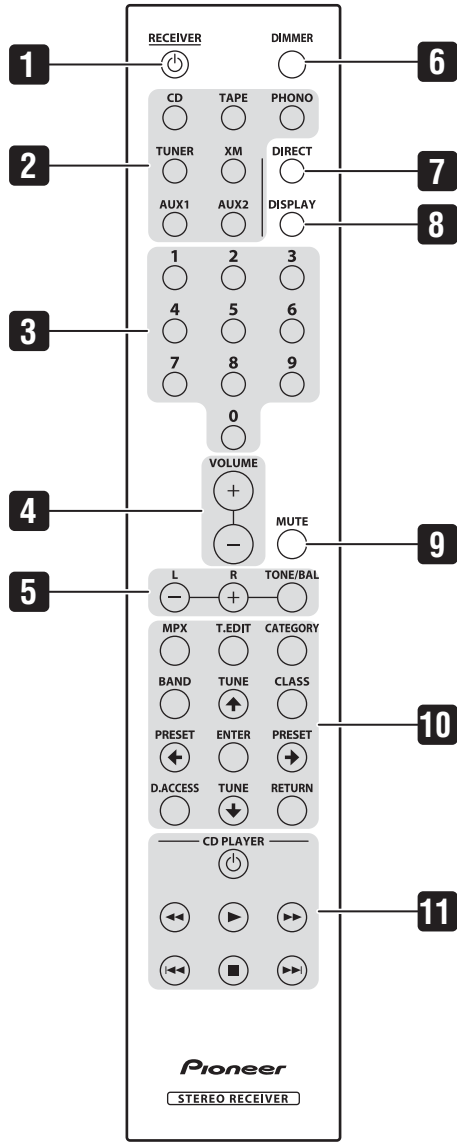
↑ ↓ ← → (TUNE/PRESET) /ENTER

Use the **TUNE** ↑ ↓ buttons to find radio frequencies and use **PRESET** ← → to find preset stations.

12 CD PLAYER control buttons

Use to control Pioneer CD player.

A Remote control SX-A6



1 AMP

Switches the receiver between standby and on.

2 Input select buttons

Press to select an input source.

3 Number buttons

Use the number buttons to directly select a radio frequency.

4 VOLUME +/-

Use to set the listening volume.

5 TONE/BAL controls

Use to adjust the tone and balance.

6 DIMMER

Dims or brightens the display (or switches the backlight off).

7 DIRECT

Press to access Direct listening.

8 DISPLAY (XM Radio only)

Switches between named station presets and radio frequencies.

9 MUTE

Mutes/unmutes the sound.

10 Tuner and XM Radio controls

MPX (Tuner only) – Switches between stereo and mono reception of FM broadcasts.

T.EDIT – Memorizes/names stations for recall.

CATEGORY (XM Radio only) – Press to browse digital radio broadcasts.

BAND (Tuner only) – Switches between the AM and FM bands.

CLASS – Switches between the three banks of radio station presets.

D.ACCESS – Press to access a radio station directly using the number buttons.

RETURN (XM Radio only) – Press to confirm and exit the current menu.

↑ ↓ ← → (TUNE/PRESET) /ENTER

Use the **TUNE** ↑ ↓ buttons to find radio frequencies and use **PRESET** ← → to find preset stations.

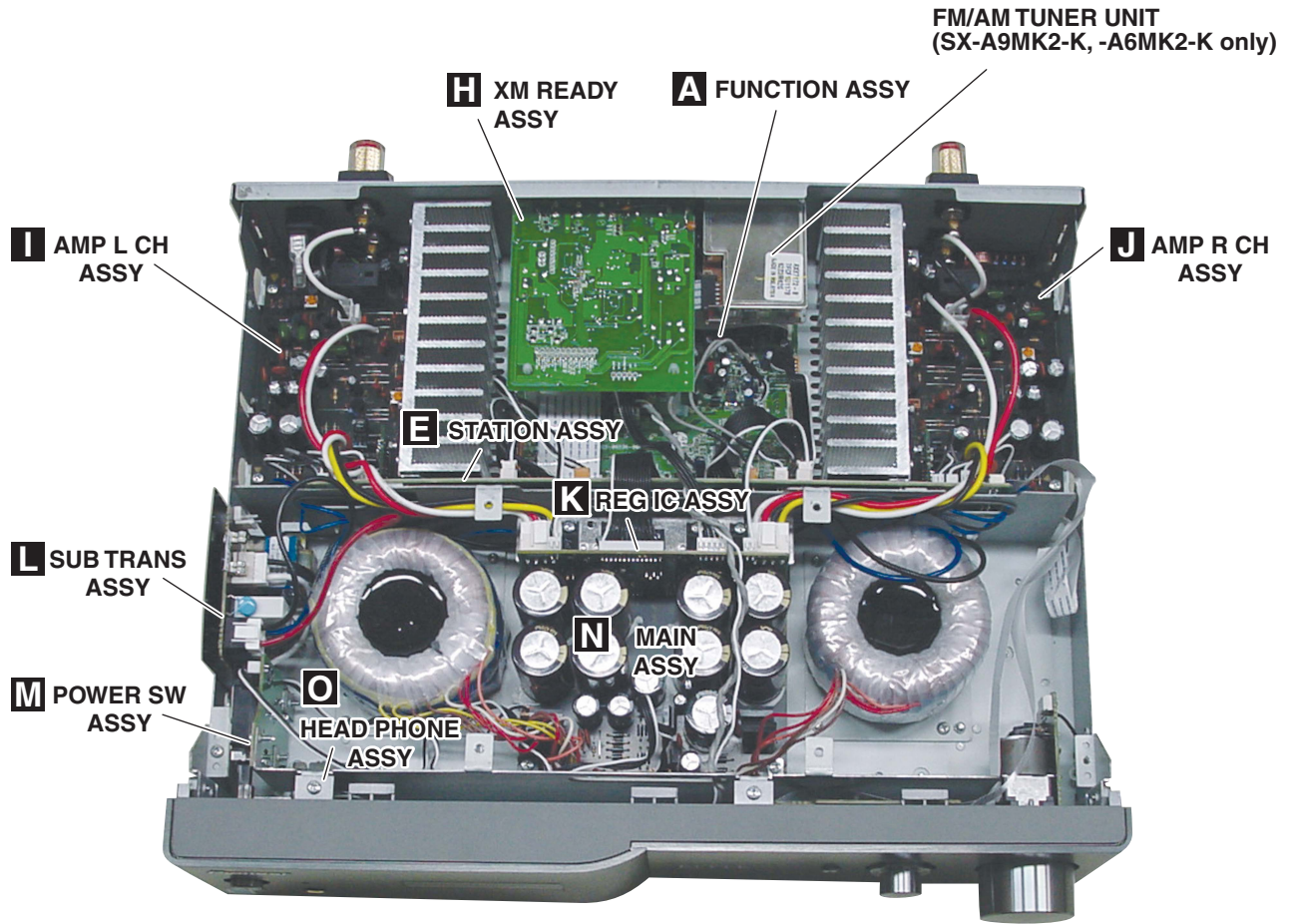
11 CD PLAYER control buttons

Use to control Pioneer CD player.

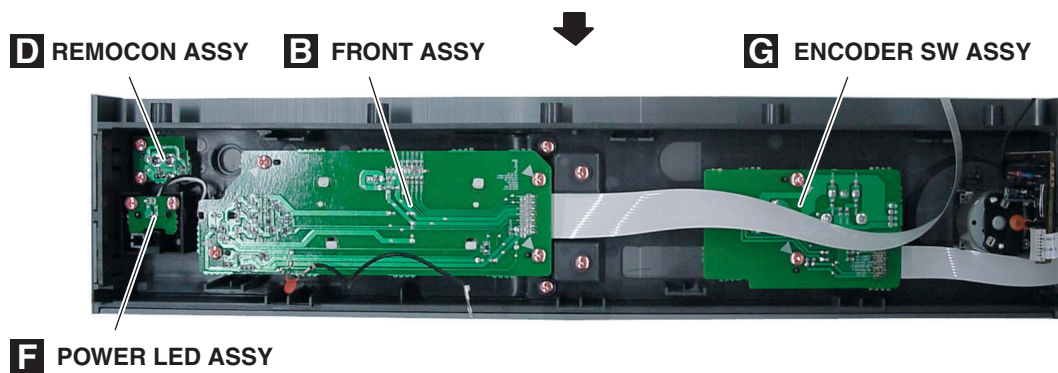
3. BASIC ITEMS FOR SERVICE

3.1 PCB LOCATIONS

• SX-A9MK2 model



• Top view



• Front view

LIST OF ASSEMBLIES

Mark	Symbol and Description	A-A9MK2-K/SYXCN5	SX-A9MK2-K/CUXCN	A-A6MK2-K/SYXCN5	SX-A6MK2-K/CUXCN		
A	NSP	1..POWER ASSY	7025HA0902032-IL	7025HA0902033-IL	7025HA0903033-IL	7025HA0903034-IL	
		2.AMP LCH ASSY	7028067941010-IL	7028067941010-IL	7028067941010-IL	7028067941010-IL	
		2.AMP RCH ASSY	7028067942010-IL	7028067942010-IL	7028067942010-IL	7028067942010-IL	
		2.MAIN ASSY	7028067943010-IL	7028067943020-IL	7028067943030-IL	7028067943060-IL	
		2.FRONT ASSY	7028067944010-IL	7028067944010-IL	7028067944020-IL	7028067944020-IL	
		2.REMOCON ASSY	7028067945010-IL	7028067945010-IL	7028067945020-IL	7028067945020-IL	
		2.POWER SW ASSY	7028067946010-IL	7028067946010-IL	7028067946020-IL	7028067946020-IL	
		2.POWER LED ASSY	7028067947010-IL	7028067947010-IL	7028067947020-IL	7028067947020-IL	
		2.ENCODER SW ASSY	7028067948010-IL	7028067948010-IL	7028067948010-IL	7028067948010-IL	
		2.SUB TRANS ASSY	7028067949020-IL	7028067949030-IL	7028067949060-IL	7028067949070-IL	
		2.HEADPHONE ASSY	7028067948060-IL	7028067948060-IL	7028067948060-IL	7028067948060-IL	
	B	NSP	1..FUNCTION ASSY	7025HA0902011-IL	7025HA0902012-IL	7025HA0903013-IL	7025HA0903014-IL
			2.FUNCTION ASSY	7028065367010-IL	7028065367020-IL	7028065367030-IL	7028065367040-IL
		2.XM-READY ASSY	7028065368010-IL	7028065368020-IL	7028065368030-IL	7028065368040-IL	
		2.PROTECTION L-CH ASSY	7028065369010-IL	7028065369010-IL	7028065369010-IL	7028065369010-IL	
		2.PROTECTION R-CH ASSY	7028065369020-IL	7028065369020-IL	7028065369020-IL	7028065369020-IL	
C	NSP	1..STATION ASSY	7025HA0902021-IL	7025HA0902022-IL	7025HA0903021-IL	7025HA0903022-IL	
		2.STATION ASSY	7028065472010-IL	7028065472010-IL	7028065472020-IL	7028065472020-IL	
		2.REG IC ASSY	7028065473010-IL	7028065473030-IL	7028065473010-IL	7028065473030-IL	
		2.SPEAKER L-CH ASSY	Not used	Not used	7028065474010-IL	7028065474010-IL	
		2.SPEAKER R-CH ASSY	Not used	Not used	7028065474020-IL	7028065474020-IL	
	1..FM/AM TUNRT UNIT	Not used	AXX7172	Not used	AXX7172		

■

5

■

6

■

7

■

8

■

A

■

B

■

C

■

D

■

E

■

F

■

5

■

6

A-A9MK2-K

■

7

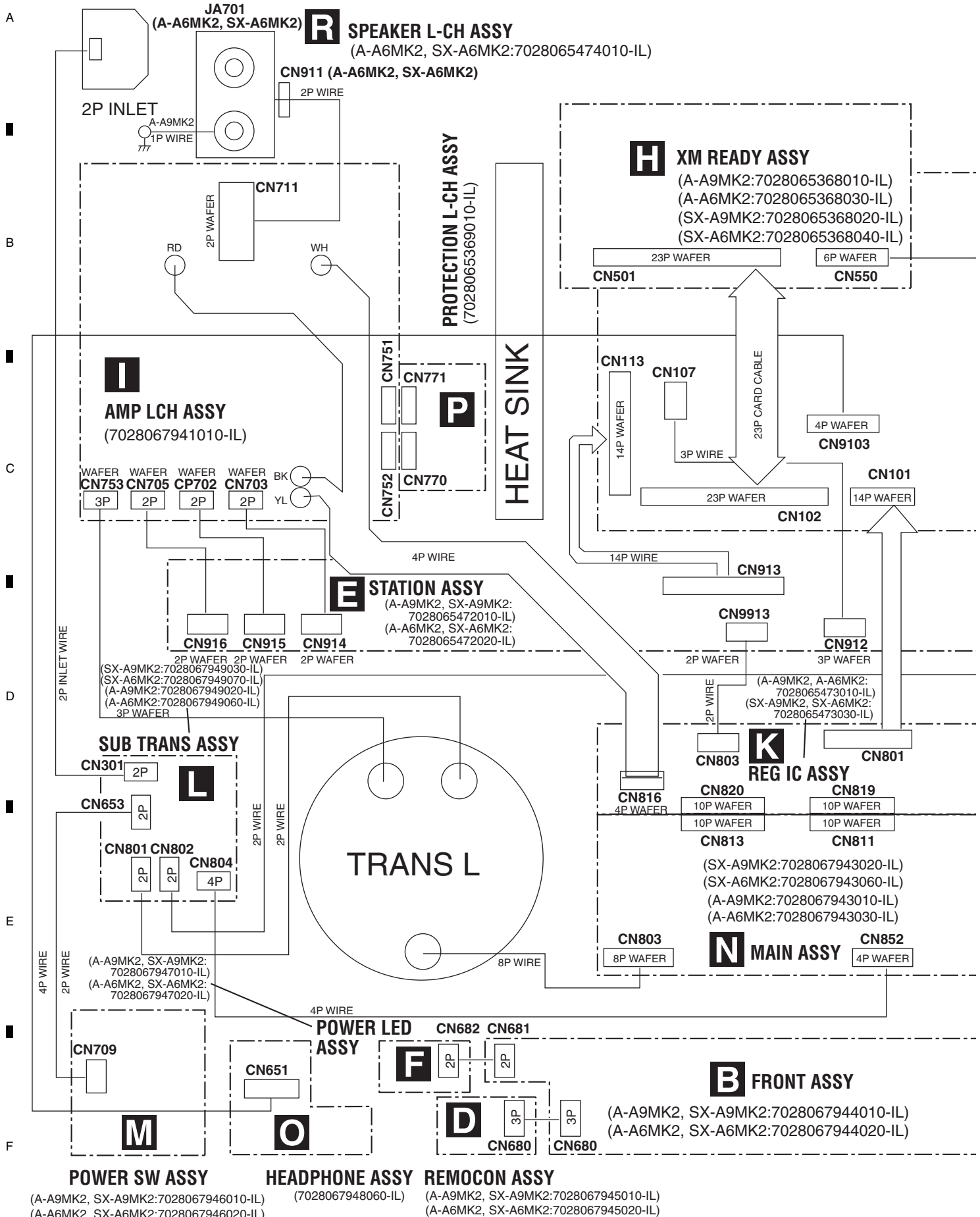
■

8

■

4. BLOCK DIAGRAM

4.1 OVERALL WIRING DIAGRAM



A
B
C
D
E
F

S **SPEAKER R-CH ASSY**
 (A-A6MK2, SX-A6MK2:
 7028065474020-IL)

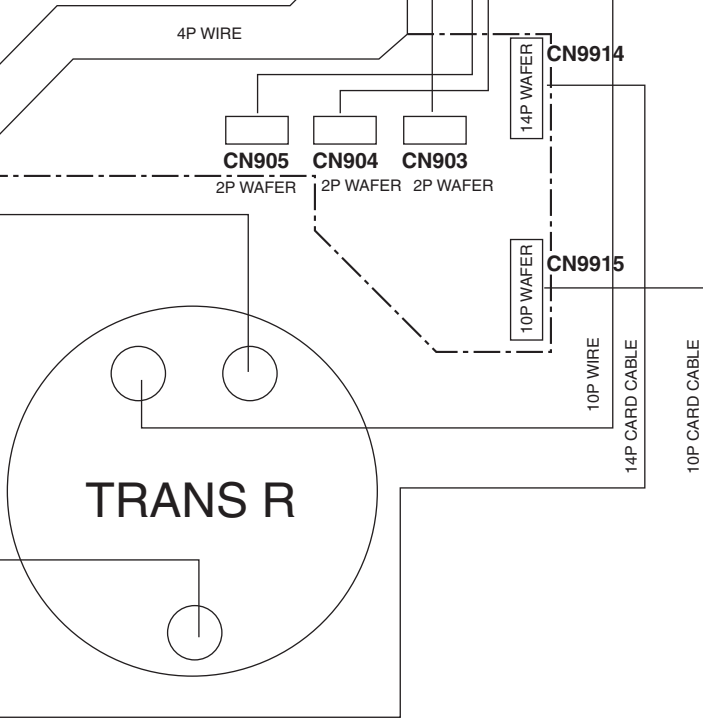
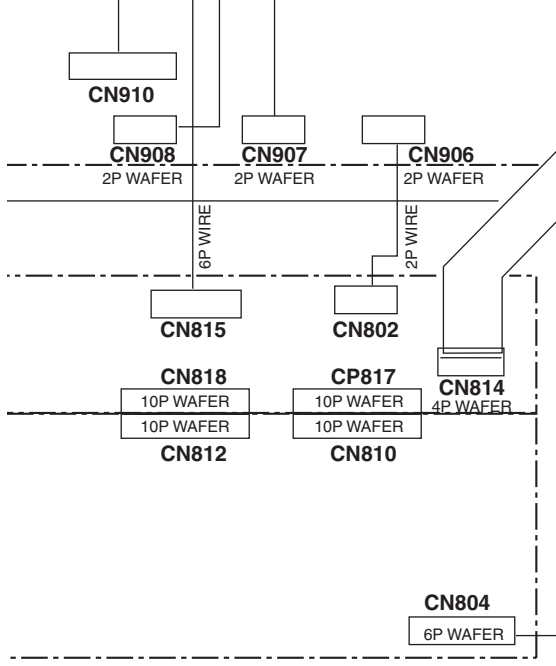
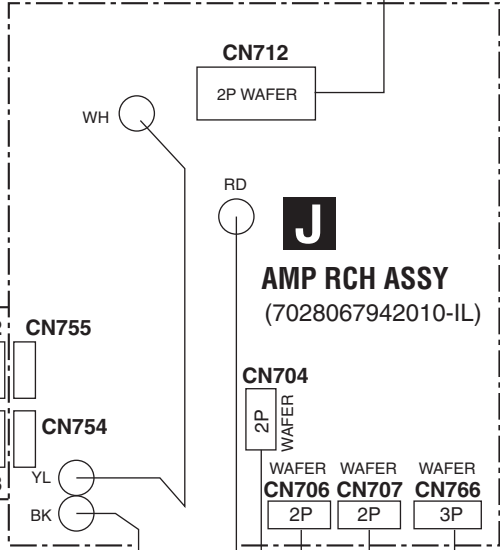
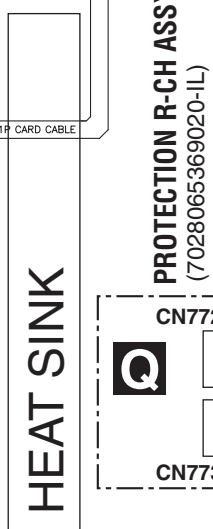
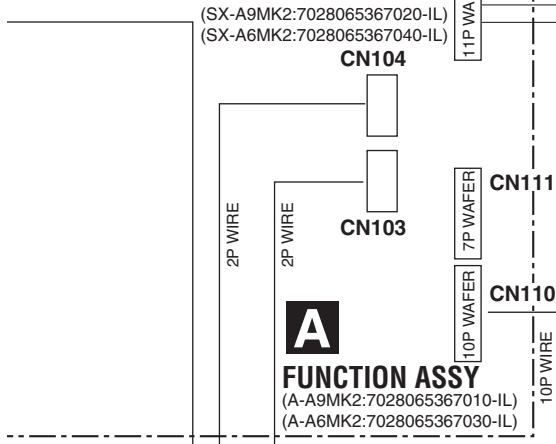
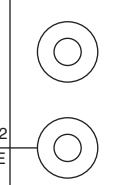
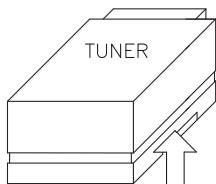
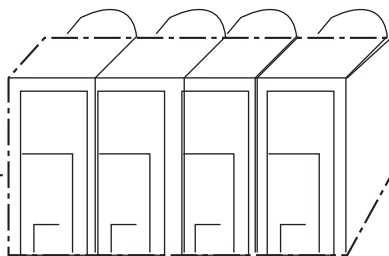
JA0000 (A-A6MK2, SX-A6MK2)

CN912
 (A-A6MK2, SX-A6MK2)

TUNER
 (SX-A9MK2,
 SX-A6MK2)

A-A9MK2
1P WIRE

2P WIRE



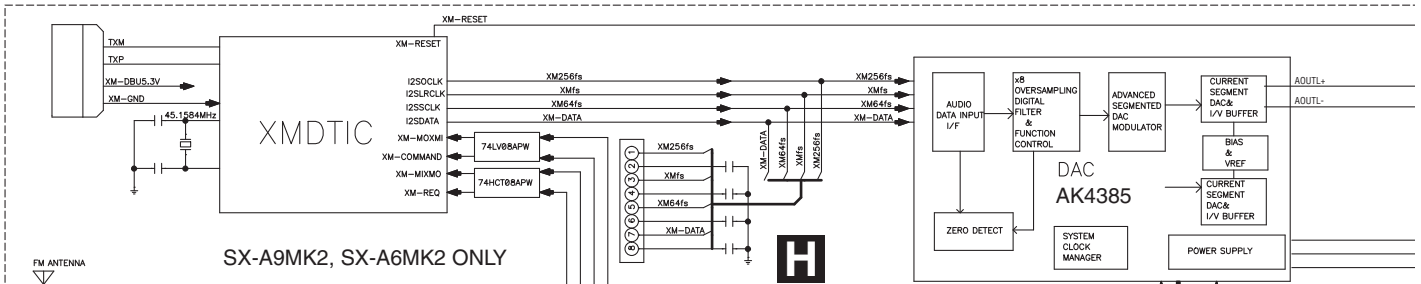
G **ENCODER SW ASSY**
 (7028067948010-IL)

CN607 10P WAFER

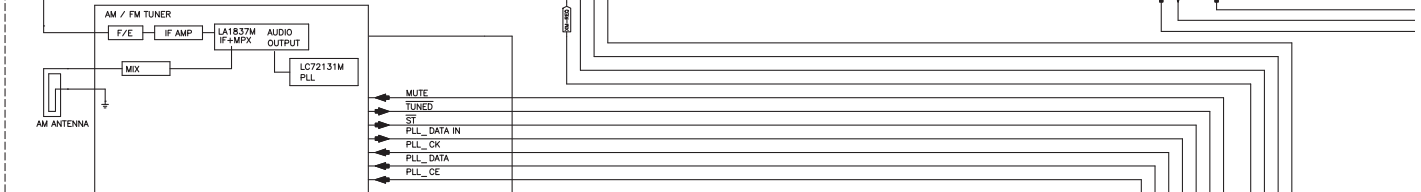


4.2 OVERALL BLOCK DIAGRAM

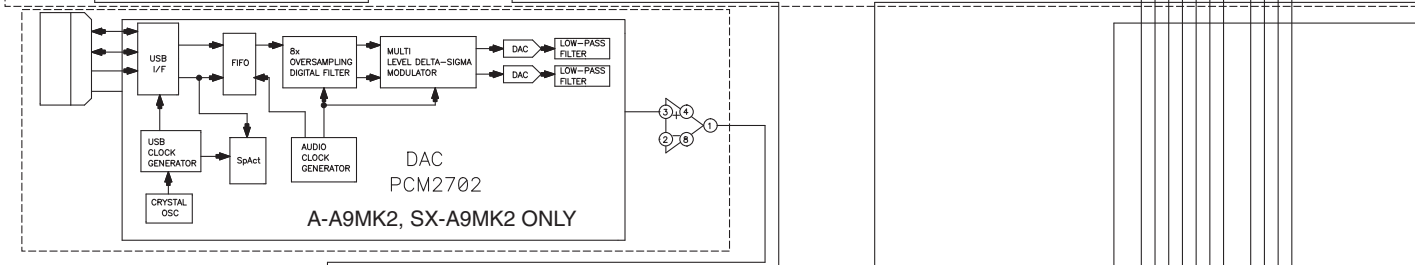
A



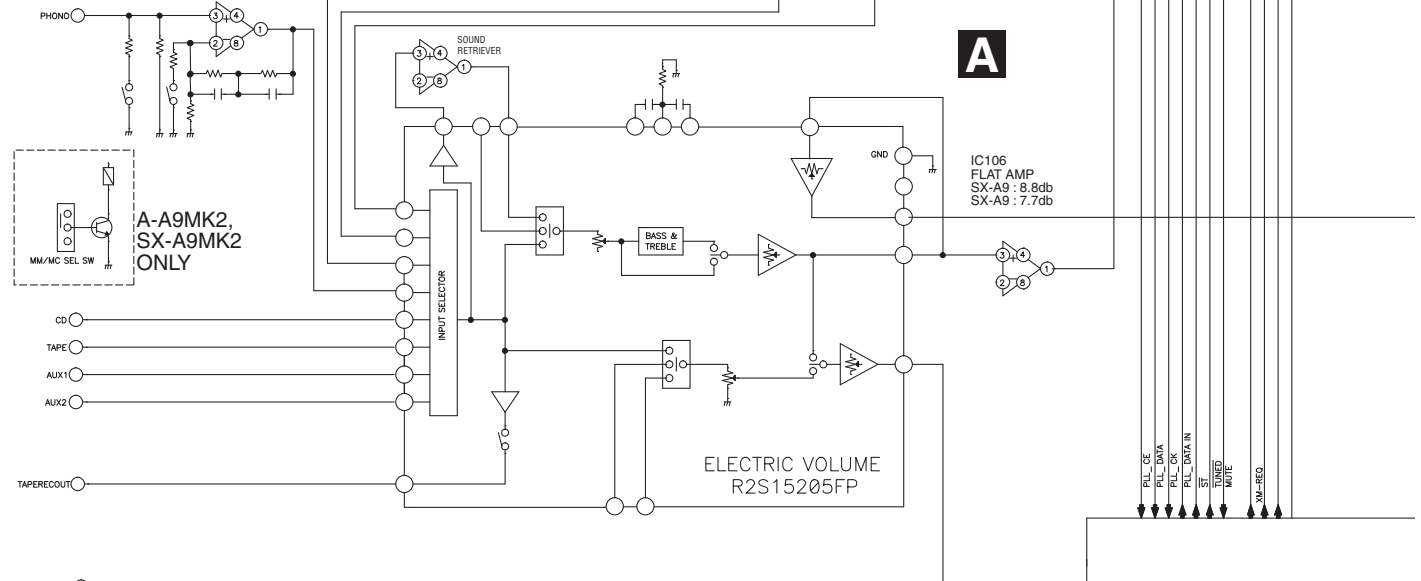
B



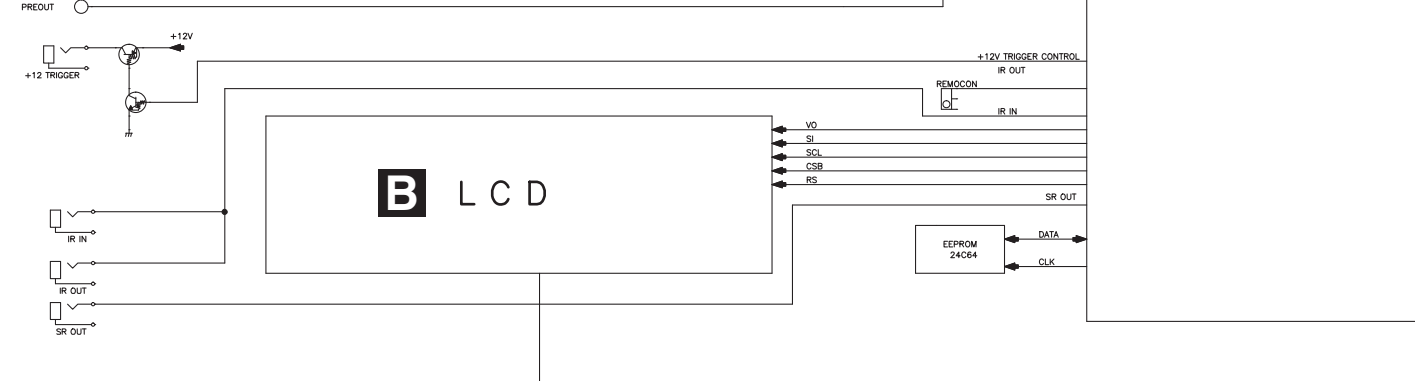
C



D



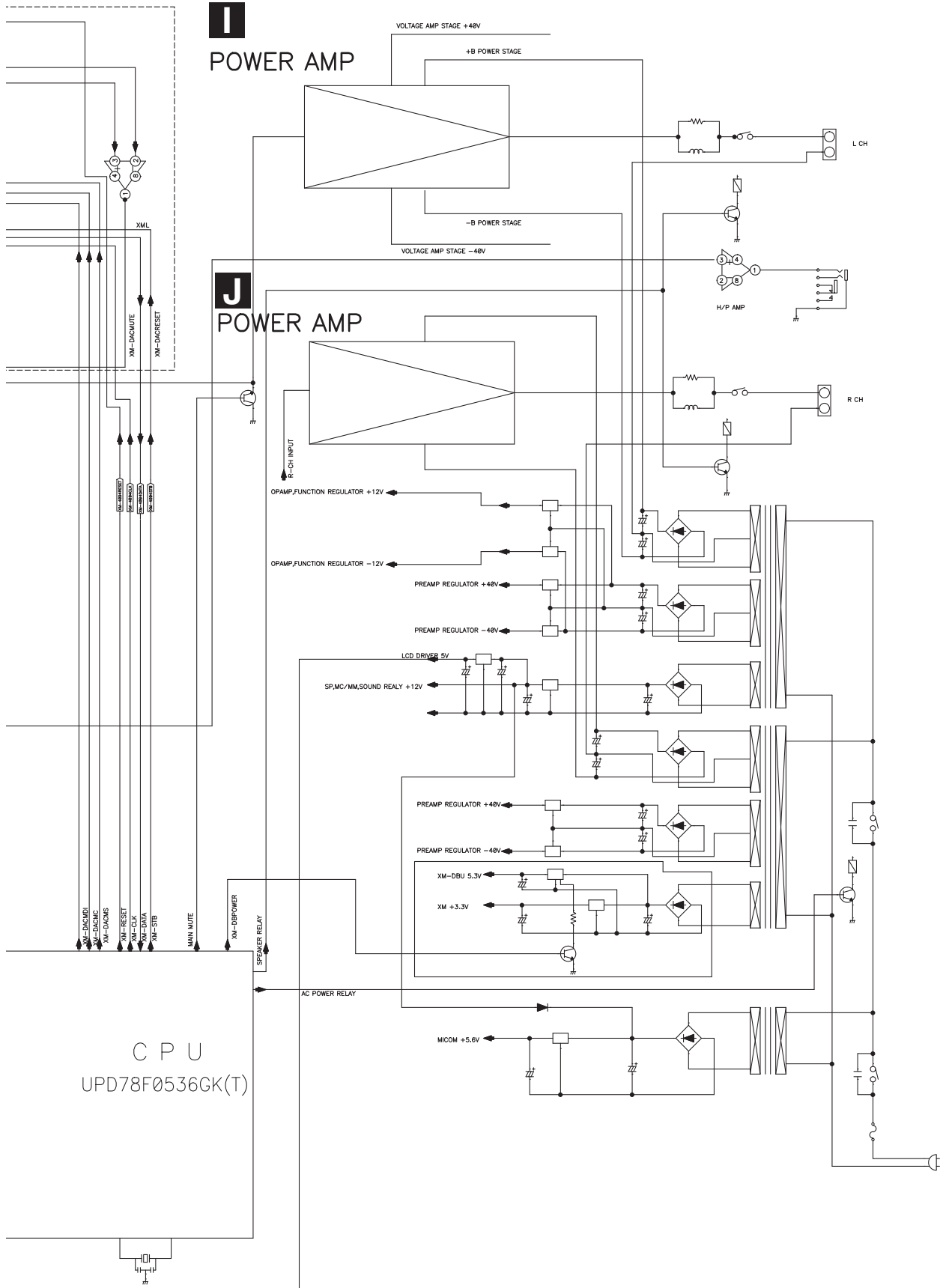
E



F

POWER AMP

POWER AMP



C P U
UPD78F0536GK(T)

5. DIAGNOSIS

5.1 TROUBLESHOOTING

A

FUSE F801 is blown.

N POWER ASSY

→ Check whether D809, D810, D813, D814, D819, D820, D821 or D822 is damaged.

LCD BACK LIGHTING is not lit.

→ Check whether +5V is output at OUT PUT of IC804 REG IC.
Check the voltage drop at resistor R852 22 Ω.
Check the voltage drops at resistors R821, R822 0.22 Ω.

MICOM is not functioning.

→ Check whether +6V is output at OUT PUT of IC809.

B

A FUNCTION ASSY

Check whether XTAL101 is oscillating properly.
Check whether RESET IC of IC511 is functioning properly.

When SPEAKER PROTECTION is engaged

I AMP L CH ASSY

J AMP R CH ASSY

Check whether POWER TR is functioning properly.
Check whether R730, R729 /0.22Ω of L-CH and R774, R755 /0.22Ω of R-CH are damaged.
Check whether + power supply and - power supply are supplied.

C

ELECTRONIC VOLUME is not functioning.

A FUNCTION ASSY

→ Check whether +8V is output at OUT PUT of IC112, and whether -8V is output at OUT PUT of IC111.
Check whether data is input to PIN42, 43 of IC101.

When there is no sound

→ Check the operation status of Q111, Q112 MUTE TR.

D

HEAT SINK is overheated.

I AMP L CH ASSY

J AMP R CH ASSY

→ Check whether IDLE is adjusted at 52mv+/-10mV without load.

E

F

5.2 SPECIFICATION OF PROTECTIVE OPERATION

*When SPEAKER OUT is overloaded, turn off SPEAKER RELAY immediately and turn off power supply RELAY. Then, blinks the STAND BY LED.

*When DC voltage is detected at SPEAKER OUT, turn off SPEAKER RELAY and power supply RELAY. Then, blinks the STAND BY LED.

After that, normal operation MODE will be resumed by turning power supply SW off/on. Similarly, normal operation MODE will be resumed by reconnecting the power cord.



6. SERVICE MODE

There is no information to be shown in this chapter.

7. DISASSEMBLY

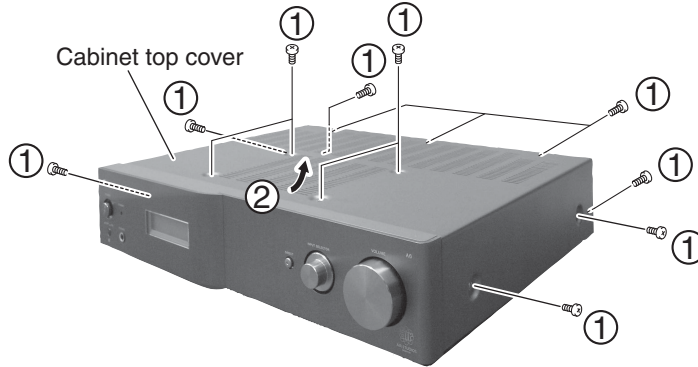
Note : Even if the unit shown in the photos and illustrations in this manual may differ from your product, the procedures described here are common.

Disassembly

• A-A6MK2-K model

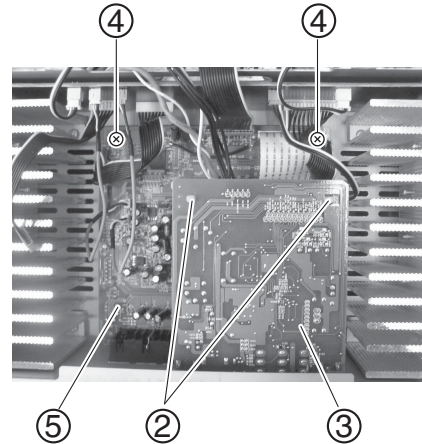
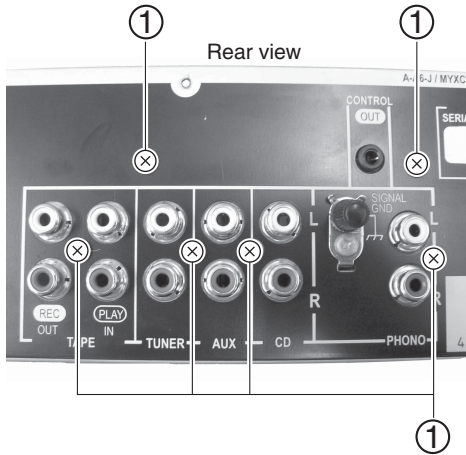
1 Cabinet top cover

- ① Remove 13 screws.
- ② Remove the cabinet top cover.



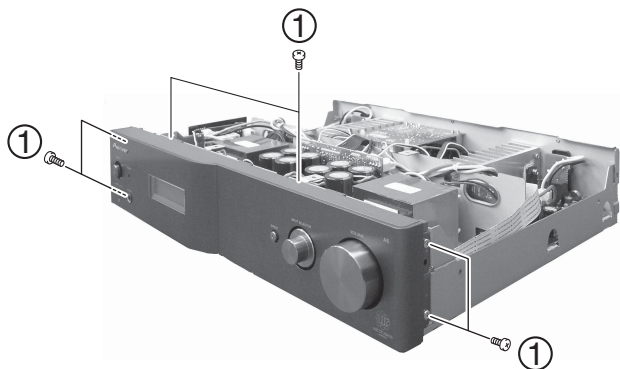
2 FUNCTION Ass'y

- ① Remove 6 screws.
- ② Remove spacers (2 locations) on the board.
- ③ Remove XM-READY Assy.
- ④ Remove 2 screws.
- ⑤ Remove FUNCTION Ass'y.



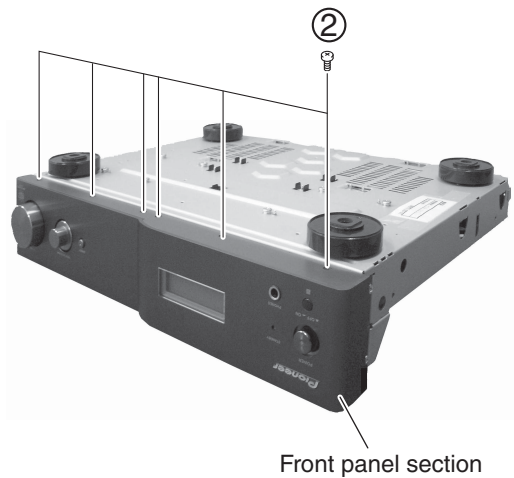
3 Front Panel

① Remove the 6 screws.



② Remove the 6 screws.

③ Remove the front panel section.



A
B
C
D
E
F

Note : Even if the unit shown in the photos and illustrations in this manual may differ from your product, the procedures described here are common.

Disassembly

• A-A9MK2-K model

1 Cabinet top cover

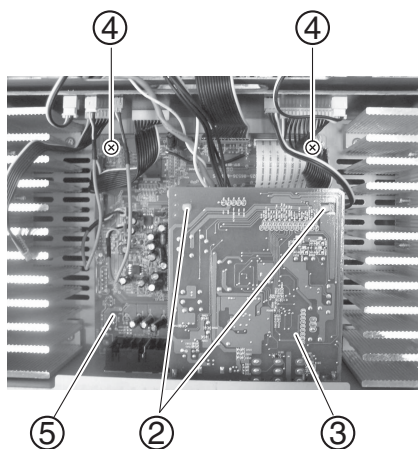
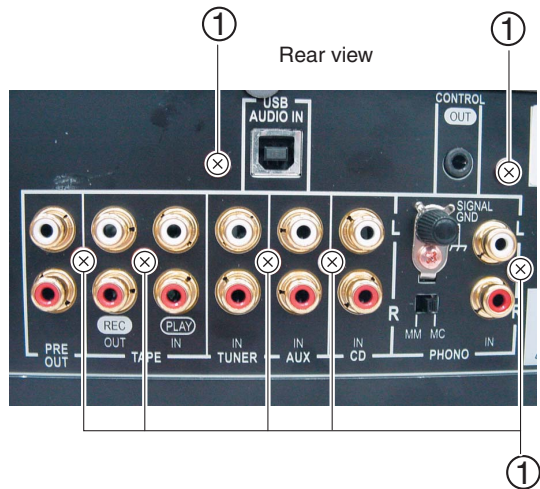
- ① Remove 4 screws.
- ② Remove 4 screws. (Left, Right)
- ③ Remove 4 screws. (Rear section)

Note:
Even if the portion of the round (⊗) mark does not remove the screw, the cabinet top cover separates.



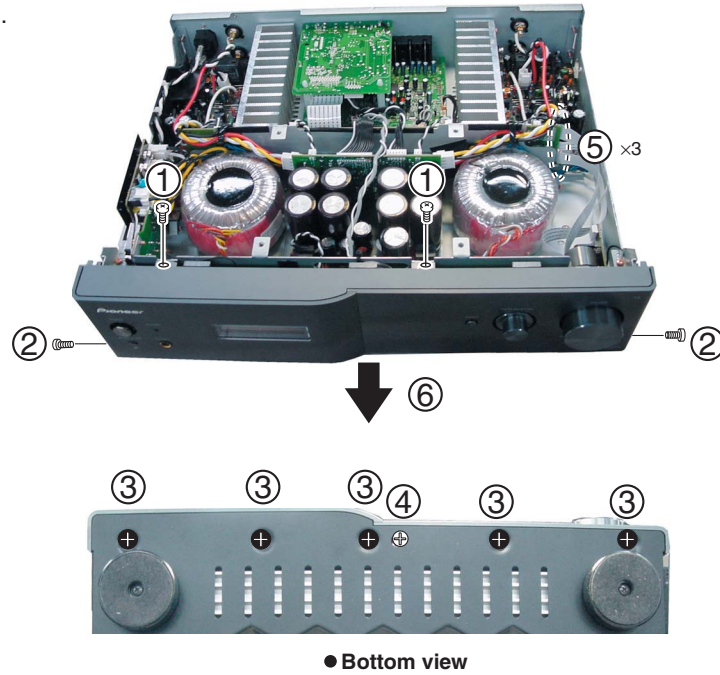
2 FUNCTION Ass'y

- ① Remove 7 screws.
- ② Remove spacers (2 locations) on the board.
- ③ Remove XM-READY Assy.
- ④ Remove 2 screws.
- ⑤ Remove FUNCTION Assy.



3 Front Panel

- ① Remove the 2 screws.
- ② Remove the 2 screws. (Left, Right)
- ③ Remove the 5 screws. (Bottom side)
- ④ Remove the 1 screws. (Bottom side)
- ⑤ Remove the flexible cable.
- ⑥ Remove the Front panel.



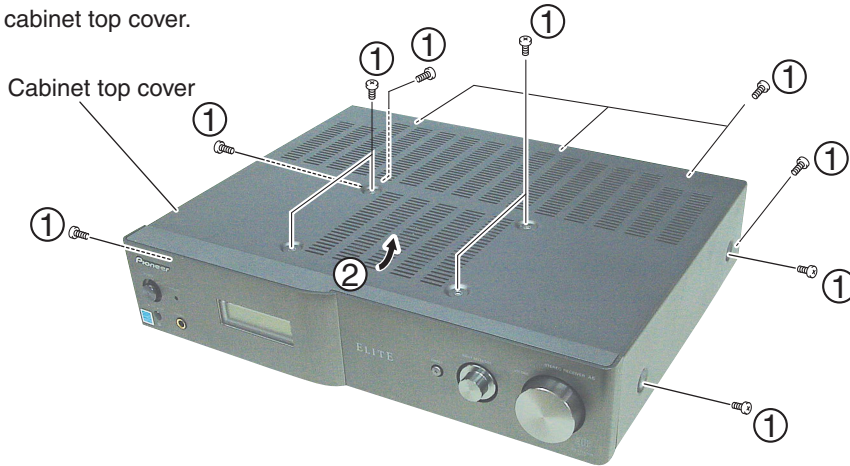
Note : Even if the unit shown in the photos and illustrations in this manual may differ from your product, the procedures described here are common.

Disassembly

• SX-A6MK2-K model

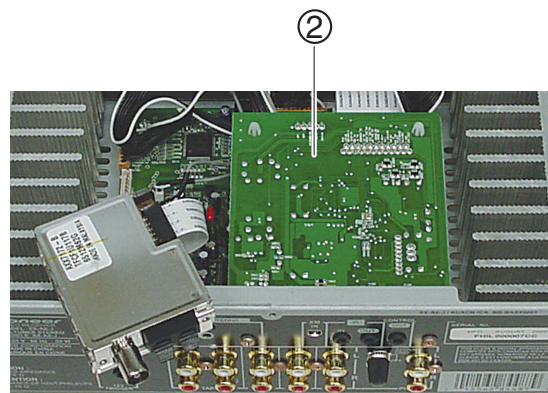
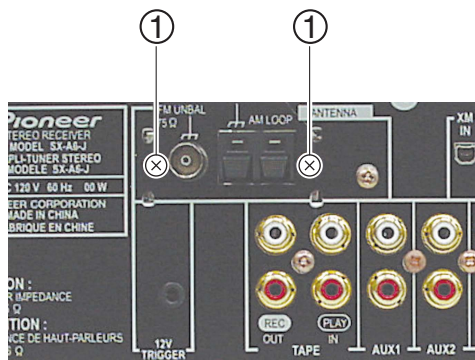
1 Cabinet top cover

- ① Remove 13 screws.
- ② Remove the cabinet top cover.



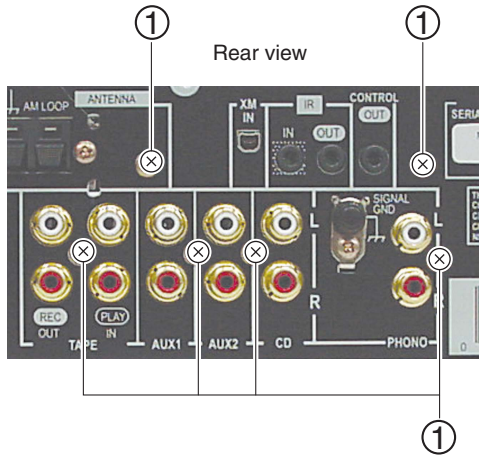
2 FM/AM TUNER UNIT

- ① Remove 2 screws.
- ② Remove FM/AM TUNER UNIT

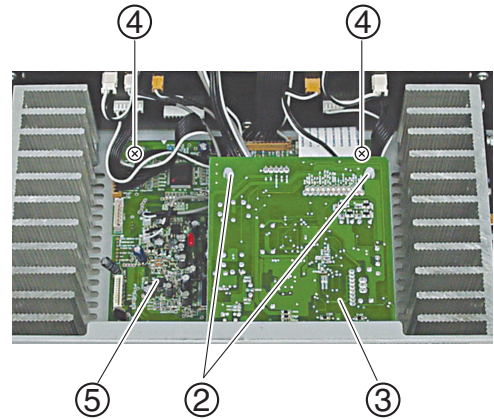


3 FUNCTION Ass'y

① Remove 6 screws.

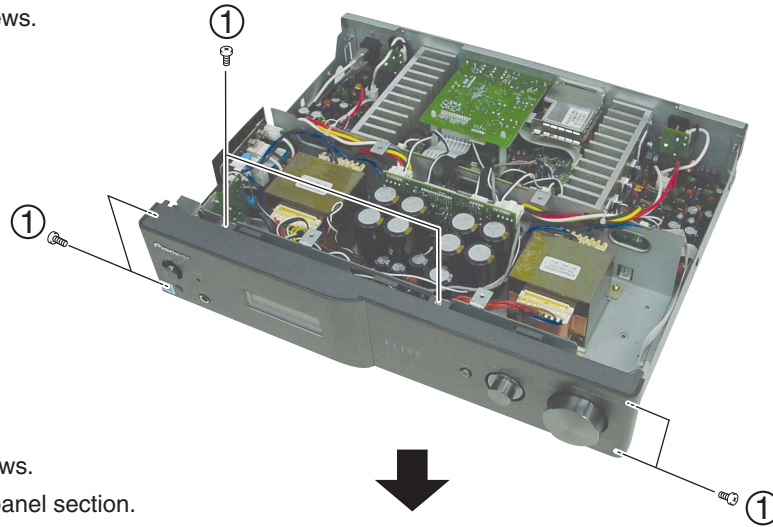


- ② Remove spacers (2 locations) on the board.
- ③ Remove XM-READY Assy.
- ④ Remove 2 screws.
- ⑤ Remove FUNCTION Ass'y.

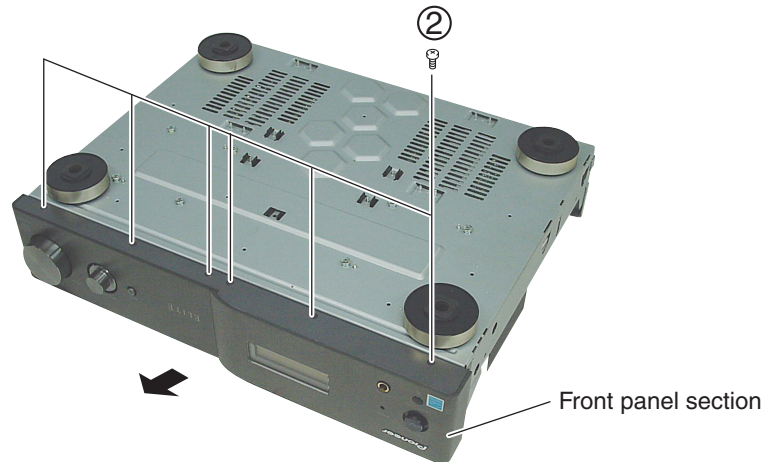


4 Front Panel

① Remove the 6 screws.



- ② Remove the 6 screws.
- ③ Remove the front panel section.



Note : Even if the unit shown in the photos and illustrations in this manual may differ from your product, the procedures described here are common.

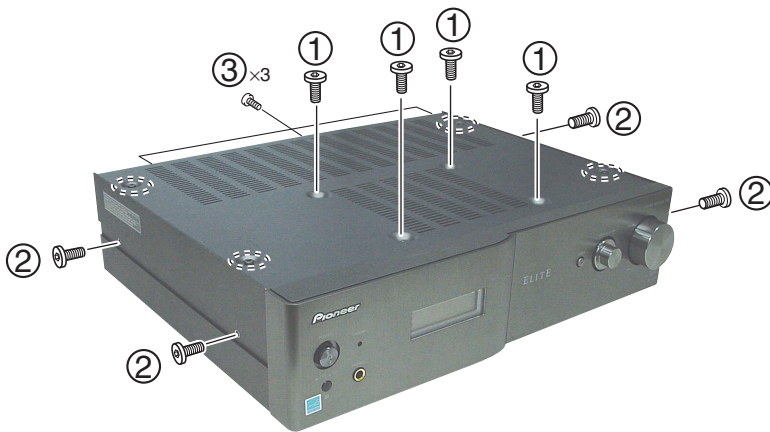
Disassembly

• SX-A9MK2-K model

1 Cabinet top cover

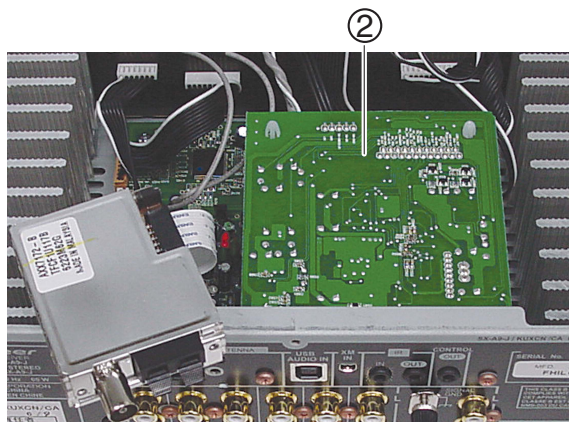
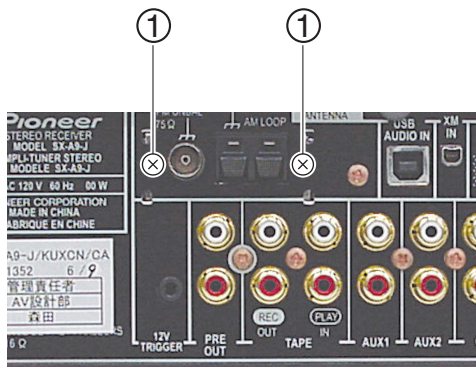
- ① Remove 4 screws.
- ② Remove 4 screws. (Left, Right)
- ③ Remove 4 screws. (Rear section)

Note:
Even if the portion of the round (⊗) mark does not remove the screw, the cabinet top cover separates.



2 FM/AM TUNER UNIT

- ① Remove 2 screws.
- ② Remove FM/AM TUNER UNIT



3 FUNCTION Ass'y

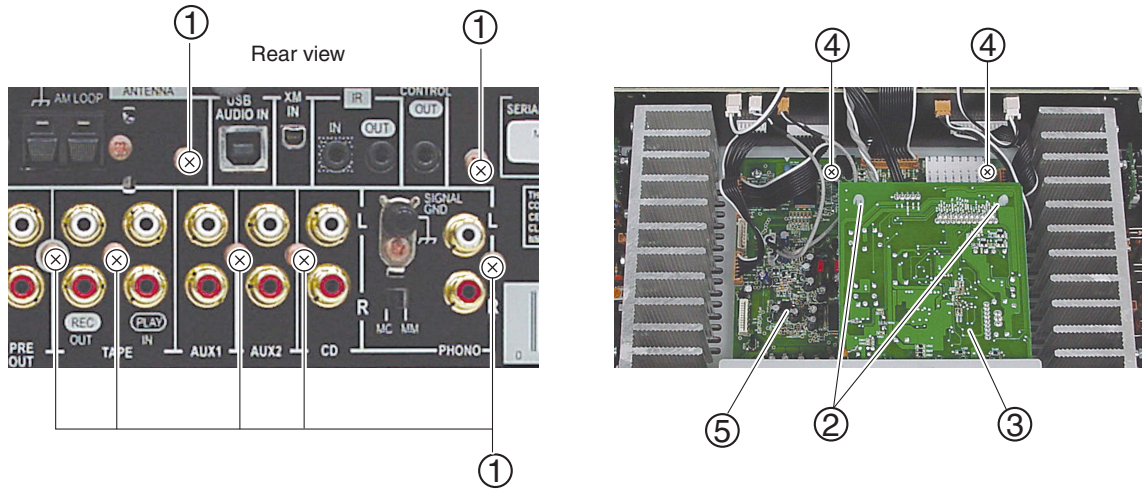
① Remove 7 screws.

② Remove spacers (2 locations) on the board.

③ Remove XM-READY Assy.

④ Remove 2 screws.

⑤ Remove FUNCTION Ass'y.



4 Front Panel

① Remove the 2 screws.

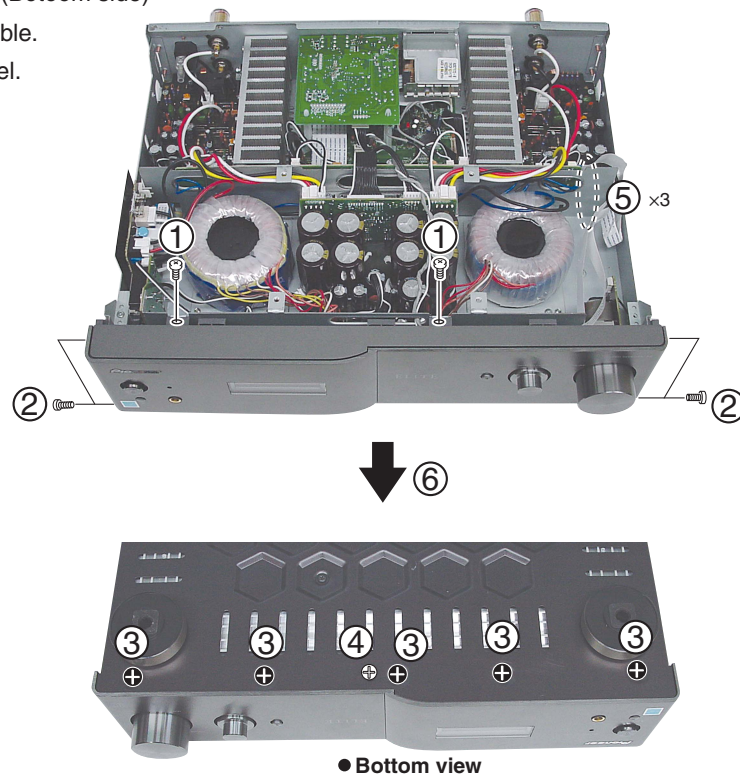
② Remove the 4 screws. (Left, Right)

③ Remove the 5 screws. (Bottom side)

④ Remove the 1 screws. (Bottom side)

⑤ Remove the flexible cable.

⑥ Remove the Front panel.



8. EACH SETTING AND ADJUSTMENT

8.1 ADJUSTMENT



1. Idle Current Adjustment

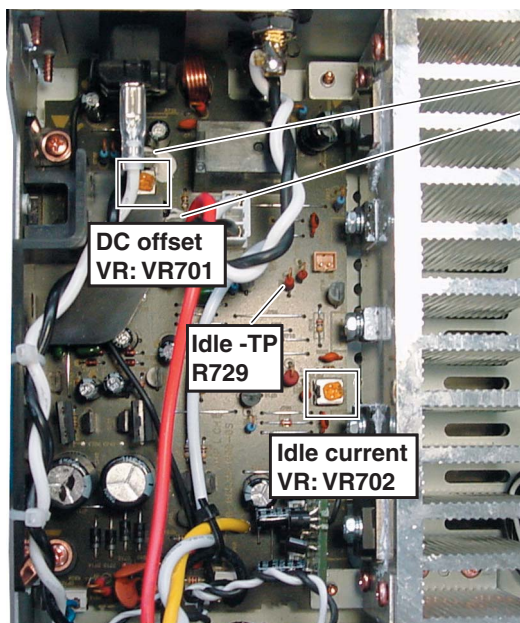
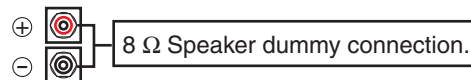
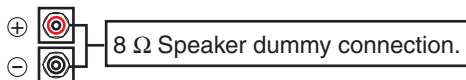
- **Measurement Points:** AMP Lch Assy : R729
AMP Rch Assy : R774
- **Adjustment Points:** AMP Lch Assy : VR702
AMP Rch Assy : VR703
- **Procedure**
 - ① Turn on the power
 - ② Connect a digital voltmeter to both ends of resistor of the measurement point. (70 mV of AMP Lch: R729 and AMP Rch: R774).
 - ③ Perform aging for more than five minute.
 - ④ Slowly turn the adjustment VR clockwise so that the voltage becomes in the readjustment of 60 mV

• **Adjustment Point and Measurement Points....** see fig1.

2. DC Offset Adjustment

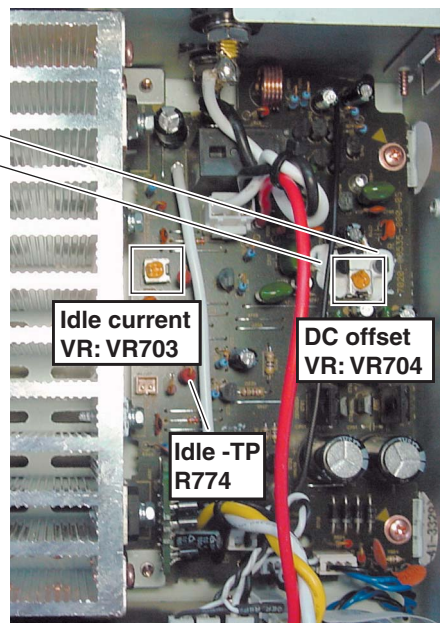
- **Measurement Points:** AMP Lch Assy : SP terminal
AMP Rch Assy : SP terminal
- **Adjustment Points:** AMP Lch Assy : VR701
AMP Rch Assy : VR704
- **Procedure**
 - ① The voltage of SP terminal is adjusted to 0 ± 10 mV. (8 Ω Speaker dummy connection)

• **Adjustment Point and Measurement Points....** see fig1.



I AMP Lch Assy

[fig 1.]



J AMP Rch Assy

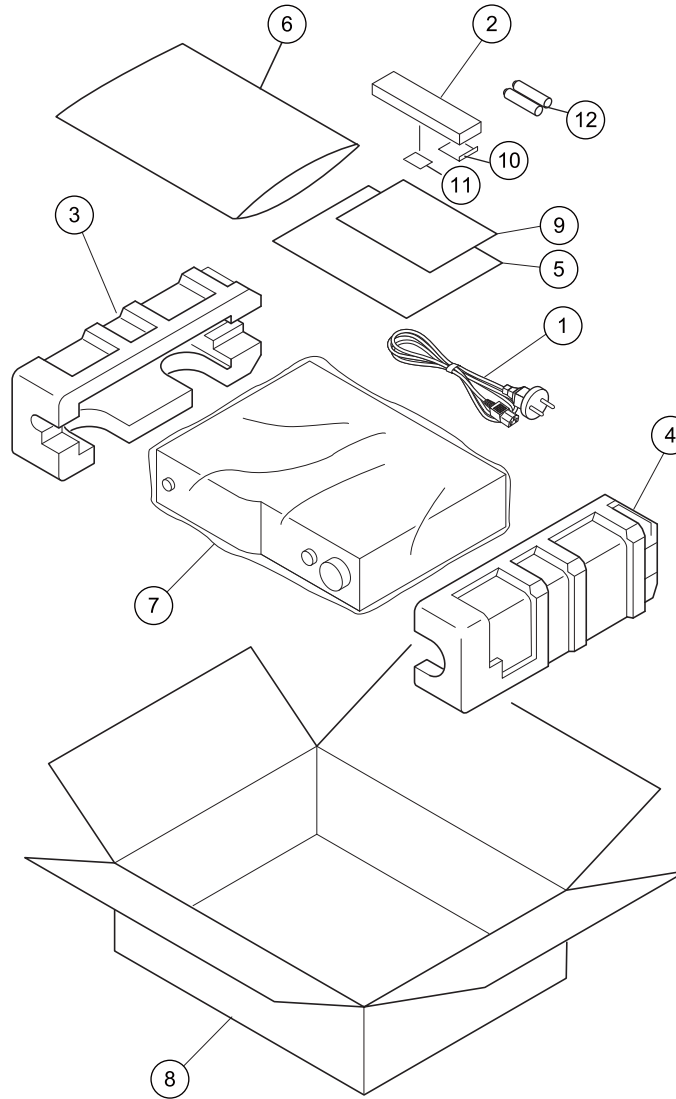
Caution when transistors (Q713, Q714, Q739 and Q746) are replaced

Please cover the leads of the transistors at Silicon bond for the variation prevention of DC Offset when you have exchanged transistors.

9. EXPLODED VIEWS AND PARTS LIST

- NOTES:**
- Parts marked by "NSP" are generally unavailable because they are not in our Master Spare Parts List.
 - The ⚠ mark found on some component parts indicates the importance of the safety factor of the part. Therefore, when replacing, be sure to use parts of identical designation.
 - Screws adjacent to ▼ mark on product are used for disassembly.
 - For the applying amount of lubricants or glue, follow the instructions in this manual. (In the case of no amount instructions, apply as you think it appropriate.)

9.1 PACKING SECTION (A-A9MK2-K)



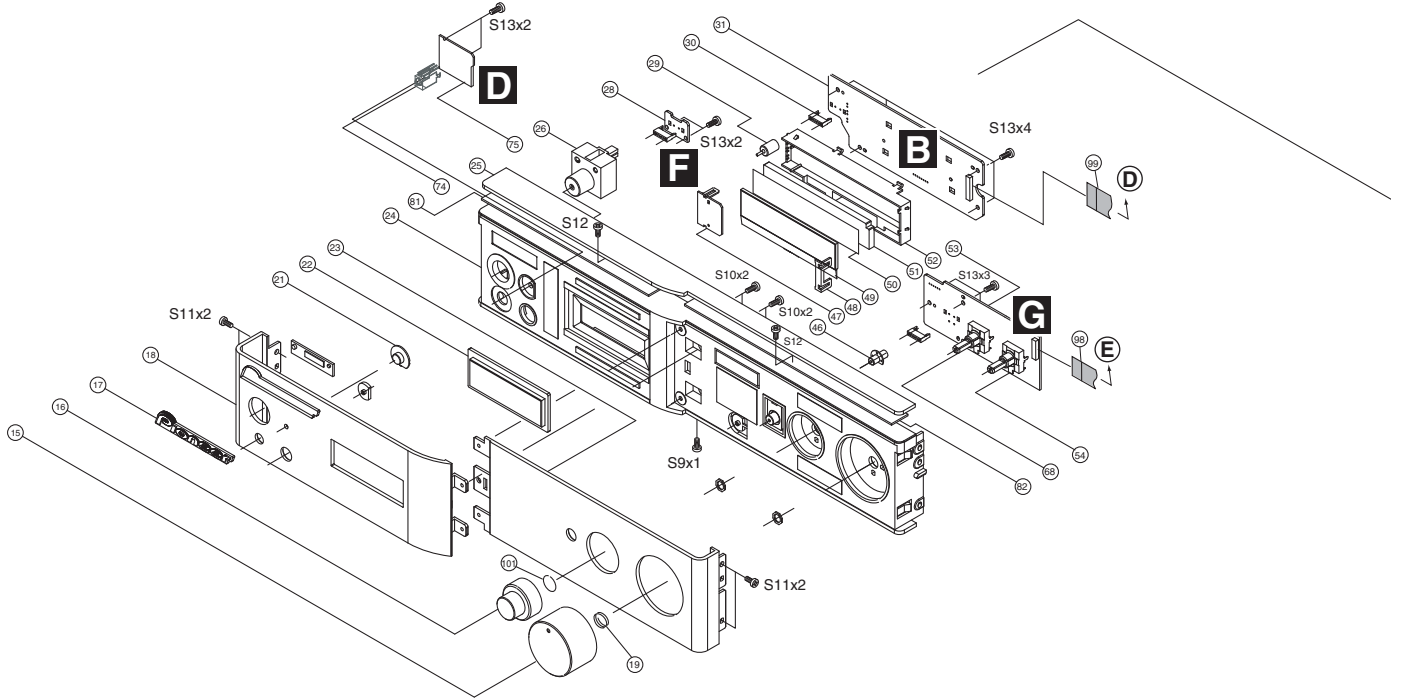
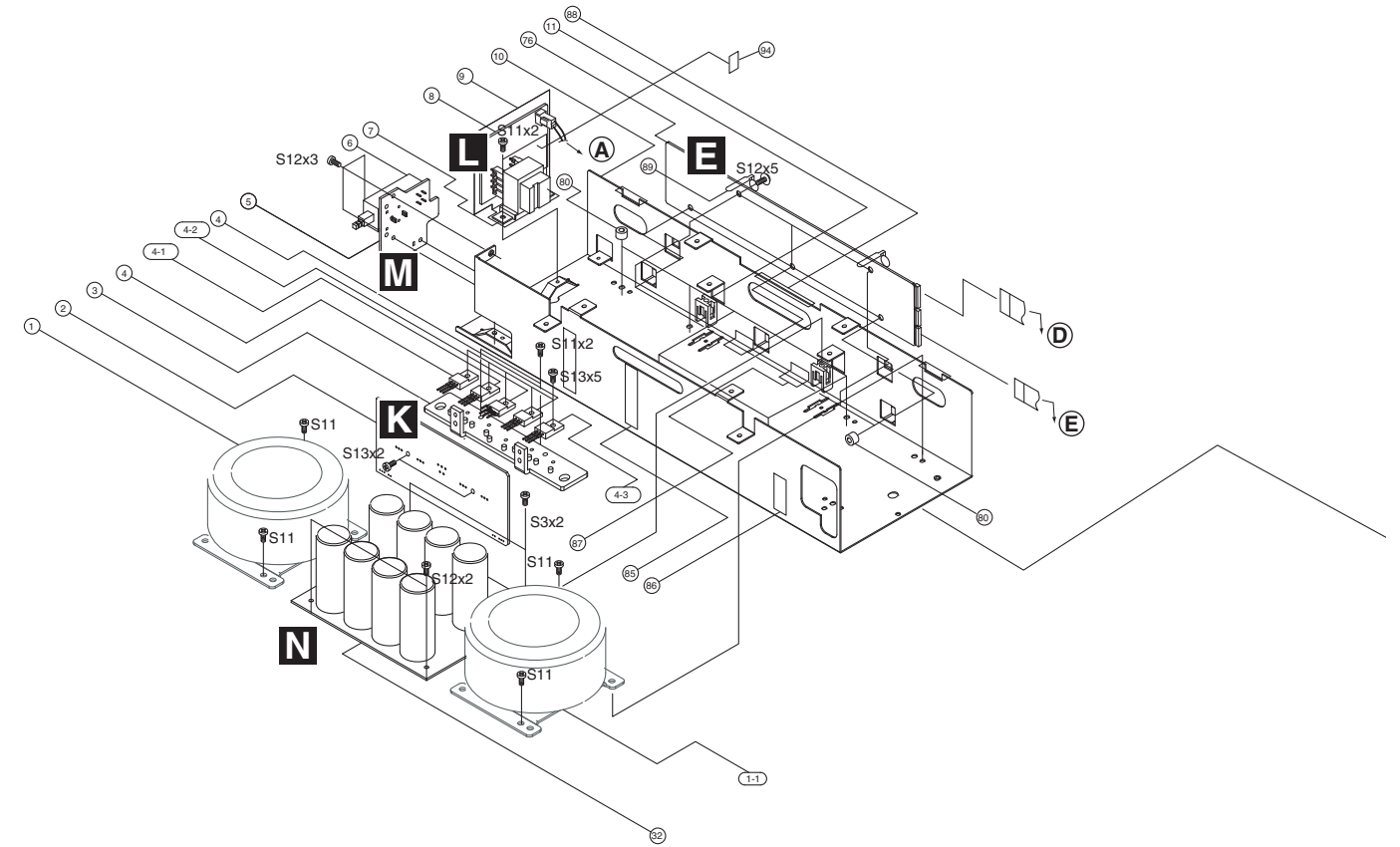
PACKING SECTION (A-A9MK2-K) PARTS LIST

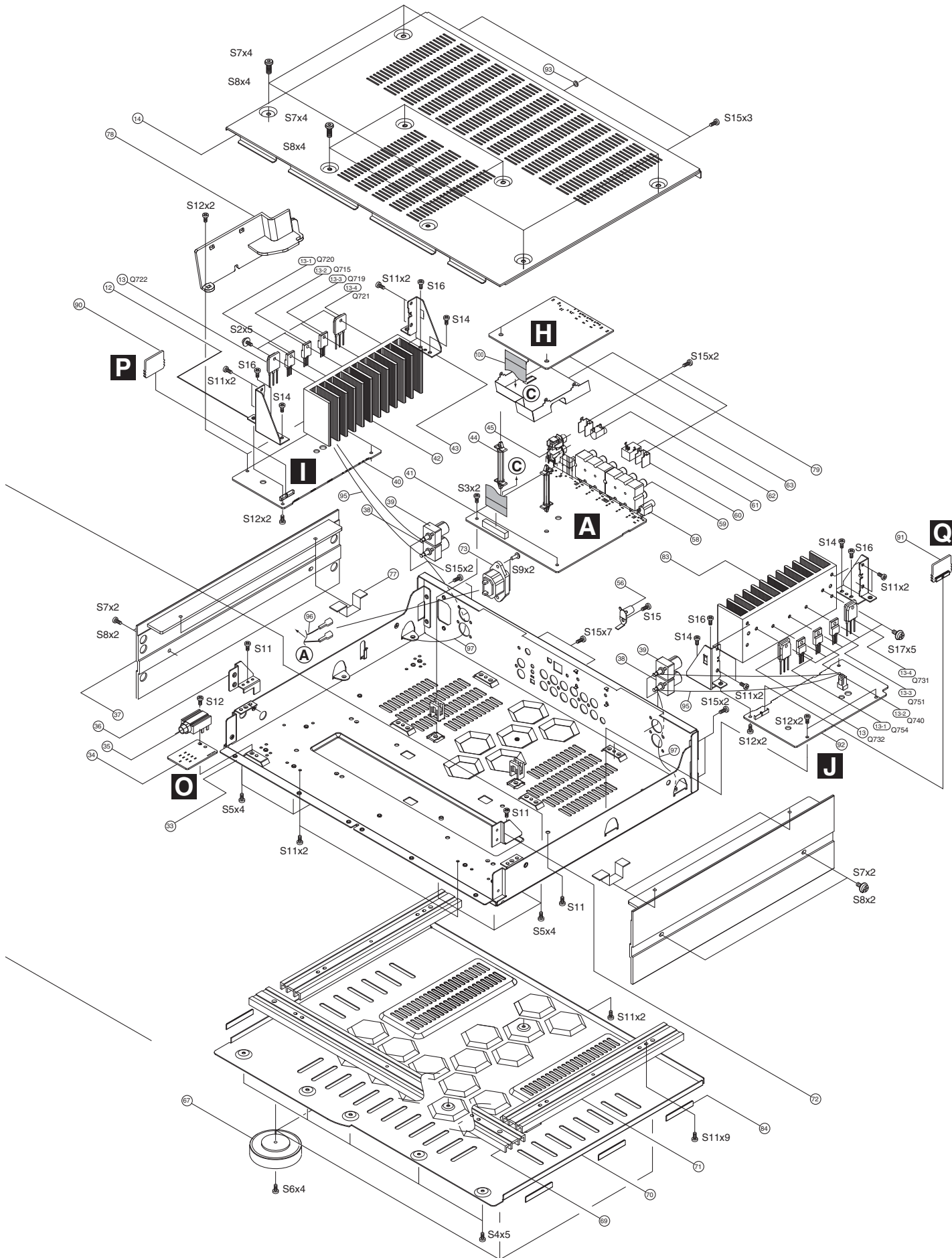
Mark No.	Description	Part No.	Mark No.	Description	Part No.
⚠	1 Power Cable	L068250160020-IL	8	Box, Gift	6007210940080-IL
	2 Remote Control	8300755900010-IL	NSP	9 Warranty Card	ARY7127
	3 Cushion, Snow L	6230211534000-IL	10	Battery Cover	PZN1108
	4 Cushion, Snow R	6230211544000-IL	11	Label (WEEE)	ARW7322
	5 Operating Instructions (En/Fr/De/Nl/It/Es/Ru)	5707000002400-IL	NSP	12 Dry Cell Batteries x2 (AAA/IEC R03)	G670001R50210-IL
NSP	6 Poly Bag	6337000240010-IL			
	7 PE, Sheet	RHC1023			

9.2 EXTERIOR SECTION (A-A9MK2-K)

• A-A9MK2-K model

A
B
C
D
E
F





A-A9MK2-K

EXTERIOR SECTION (A-A9MK2-K) PARTS LIST

	<u>Mark No.</u>	<u>Description</u>	<u>Part No.</u>	<u>Mark No.</u>	<u>Description</u>	<u>Part No.</u>
	⚠	1 Power Trans L	8200900550010-IL	43	Bracker Heat Sink R	4010212726000-IL
A	⚠	1-1 Power Trans R	8200900550060-IL	44	Spacer Support	4300210023000-IL
		2 REG IC Assy	7028065473010-IL	45	Jack RCA 2Pin	G601207AEGG02-IL
		3 Heat Sink TR	2120211008000-IL	46	Lens Directy	3710210663000-IL
		4 IC,Reg	J126781200040-IL	47	Cover LCD L	4310212951000-IL
		4-1 IC,Reg	J126791200060-IL	48	Cover LCD R	4310212961000-IL
		5 POWER SW Assy	7028067946010-IL	49	LCD Display	AAV7118
		6 S/W Power	G000390130010-IL	50	Sheet LCD Diffusion	1210210382000-IL
		7 Trans Sub	8200280150330-IL	51	Window RAT LCD	5070212313000-IL
		8 SUB TRANS Assy	7028067949020-IL	52	Housing LCD	3050210051000-IL
B		9 Plate Sub Trans	4470211012000-IL	53	ENCODER SW Assy	7028067948010-IL
		10 Bracker Trans	4010212736100-IL	54	Encoder SW	G121162401200-IL
		11 Support PCB	4070001601010-IL	55	
		12 Bracker Heat Sink L	4010212716000-IL	56	Terminal Ground	3790000090000-IL
	⚠	13 Semi,TR (Q722_Lch/Q732_Rch)J5001386A0010-IL		59	Jack RCA 6PIN	G603617AG04GY-IL
	⚠	13-1 Semi,TR (Q720_Lch/Q754_Rch)2SA1859A		60	Shield Plate Ground	3070045526010-IL
	⚠	13-2 Semi,TR (Q715_Lch/Q740_Rch)J5024137V0130-IL		61	CN,Plug Contact	G480670680010-IL
	⚠	13-3 Semi,TR (Q719_Lch/Q751_Rch)2SC4883A		62	Earphone Jack	G40130802000Y-IL
C	⚠	13-4 Semi,TR (Q721_Lch/Q731_Rch)J5023519A0010-IL		63	XM-READY Assy	7028065368010-IL
		14 Cabinet Top Cover	3007210786020-IL	66	
		15 Knob Volume	5088211388200-IL	67	Foot Assy	400821048000-IL
		16 Knob Input	5088211368200-IL	68	Encoder SW	G121162400050-IL
		17 Badge	BAM1004	69	Bar Bottom Front	1040000018000-IL
		18 Panel Front L	ANB7525	70	Cover Bottom	4317212946000-IL
		19 Spring	3720210396000-IL	71	Bar Bottom Side	1040000028000-IL
		20		72	Bracket Frame R	4010212706000-IL
		21 Lens Remocon	3710210683000-IL	73	AC Inlet	G430000180010-IL
D		22 Window Display	PAM1867	74	Module	E940633800000-IL
		23 Panel Front R	ANB7526	75	REMOCON Assy	7028067945010-IL
		24 Frame Panel	3217211651200-IL	76	STATION Assy	7028065472010-IL
		25 Plate Top	4477211028100-IL	77	Holder Chip	4320210591000-IL
		26 Knob Power	5088211391200-IL	78	Holder Inlet Cord	4320210601000-IL
		27		79	Shield Plate USB	3070210286000-IL
		28 POWER LED Assy	7028067947010-IL	80	Cushion Screw	4050211205000-IL
		29 Lens Stand By	3710210693000-IL	NSP 81	Tape Plate Top(E)	1220210299000-IL
		30 Stopper LED	4380210081000-IL	NSP 82	Tape Plate Top(F)	1220210309000-IL
E		31 FRONT Assy	7028067944010-IL	NSP 83	Heat Sink Main R	2120211048000-IL
		32 MAIN Assy	7028067943010-IL	84	Cushion Side Panel	4050211725000-IL
NSP		33 Chassis Main & Back	3207212016250-IL	NSP 85	Acetape(15*80)	1220210059070-IL
		34 HEADPHONE Assy	7028067948060-IL	NSP 86	Acetape(15*45)	1220210059050-IL
		35 Jack Phone	G402PJ612AG0Y-IL	NSP 87	Acetape(33*50)	1220210319000-IL
		36 Bracket Fraem L	4010212696000-IL	NSP 88	Acetape(15*110)	1220210059000-IL
		37 PANEL SIDE	3067212818020-IL	89	Bar Bottom Front	4330210062000-IL
		38 TER,Board Screw(BK)	G610040300000-IL	90	PROTECTION L-CH ASSY	7028065369010-IL
		39 TER,Board Screw(RD)	G610040310000-IL	91	PROTECTION R-CH ASSY	7028065369020-IL
F		40 AMP LCH Assy	7028067941010-IL	92	AMP RCH ASSY	7028067942010-IL
		41 FUNCTION Assy	7028065367010-IL	93	Washer	1530210132000-IL
NSP		42 Heat Sink Main L	2120210998000-IL	94	Label Rating	5527042410010-IL

<u>Mark No.</u>	<u>Description</u>	<u>Part No.</u>
95	CN, Wire 2P (CN711 AMP LCH/ CN712 AMP RCH)	L000121020210-IL
96	CN, Wire 2P (CN301 SUB TRNAS)	L000201020130-IL
97	1P Wire Lugpin (TER, BOARD Screw)	8410101010220-IL
98	Cable, Flat Card 1.25 10P (CN607 VR - CN9915 STATION)	N712102033810-IL
99	Cable, Flat Card 14P (CN608 FRONT - CN9914 STATION)	N712143633810-IL
100	Cable, Flat Card 1.25 23P (CN102 FUNCTION - CN501 XM READY)	N712230943810-IL
101	Spring	3720210276000-IL
S1	Screw (+2S 3*8 B-TYPE BK/BH)	B020030083B10-IL
S2	Screw (+2S 3*14 P+S-WASHER ZNY/HH)	B018230141H11-IL
S3	Screw (+2S 3*17 B-TYPE ZNY/BH)	B020030171B10-IL
S4	Screw (+2S 3*17 B-TYPE BK/BH)	B020030173B10-IL
S5	Screw (+2S 4*10 ZNY/HH)	B028940101B10-IL
S6	Screw (+3S 4*27 S-TYPE BK/BH)	B020740273B10-IL
S7	Screw (+2S 4*10 B-TYPE CR-PLATE)	1500040103P41-IL
S9	Screw (+2S 3*8 B-TYPE FH/CU)	B020030086F10-IL
S10	Screw (+2S 3*10 B-TYPE BH/CU)	B020030106B10-IL
S11	Screw (+2S 3*8 B-TYPE(DOT) BH/CU)	B020030086B11-IL
S12	Screw (+2S 3*8 B-TYPE WASHER BH/CU)	B028030086B10-IL
S13	Screw (+2S 3*8 B-TYPE BH/CU)	B020030086B10-IL
S14	Screw (+2S 3*6 B-TYPE BH/CU)	B020030066B10-IL
S15	Screw (+3S 3*10 B-T(DOT) BH/CU))	B020030106B11-IL
S16	Screw (+3S 3*10 +2S 3*6 B-TYPE (DUT) BH-CU)	B020030066B11-IL
S17	Screw	B018230141H10-IL

A

B

C

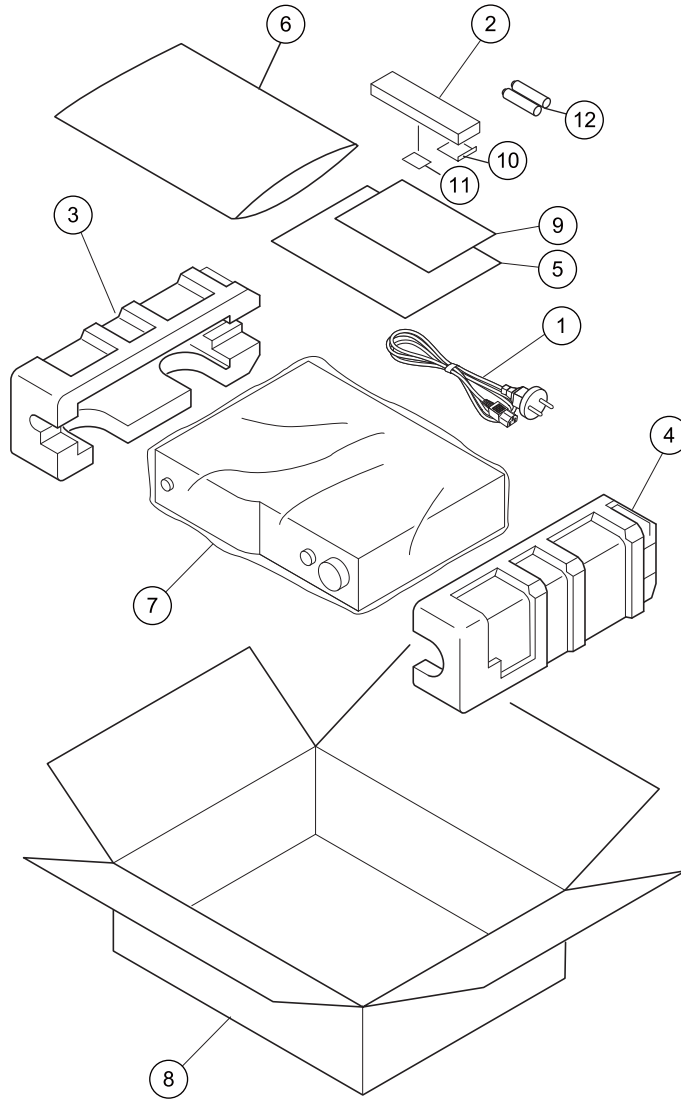
D

E

F

9.3 PACKING SECTION (A-A6MK2-K)

A
B
C
D
E
F



PACKING SECTION (A-A6MK2-K) PARTS LIST

<u>Mark No.</u>	<u>Description</u>	<u>Part No.</u>
△ 1	Power Cable	L068250160020-IL
2	Remote Control	8300756100010-IL
3	Cushion, Snow L	6230211514000-IL
4	Cushion, Snow R	6230211524000-IL
5	Operating Instructions (En/Fr/De/Nl/It/Es/Ru)	5707000002350-IL
NSP 6	Poly Bag	6337000240010-IL
7	PE, Sheet	RHC1023
8	Box, Gift	60072109300A0-IL
NSP 9	Warranty Card	ARY7127
10	Battery Cover	PZN1108
11	Label (WEEE)	ARW7322
NSP 12	Dry Cell Batteries x2 (AAA/IEC R03)	G670001R50210-IL

A

B

C

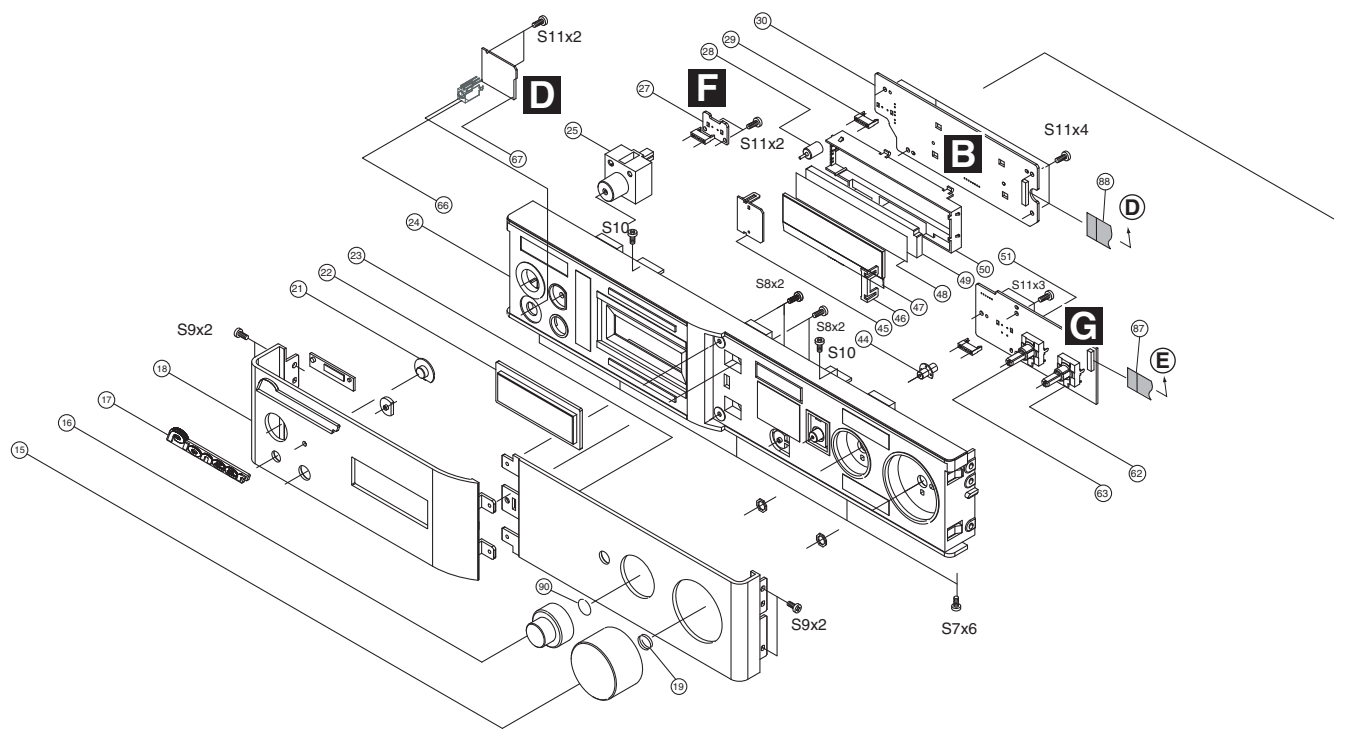
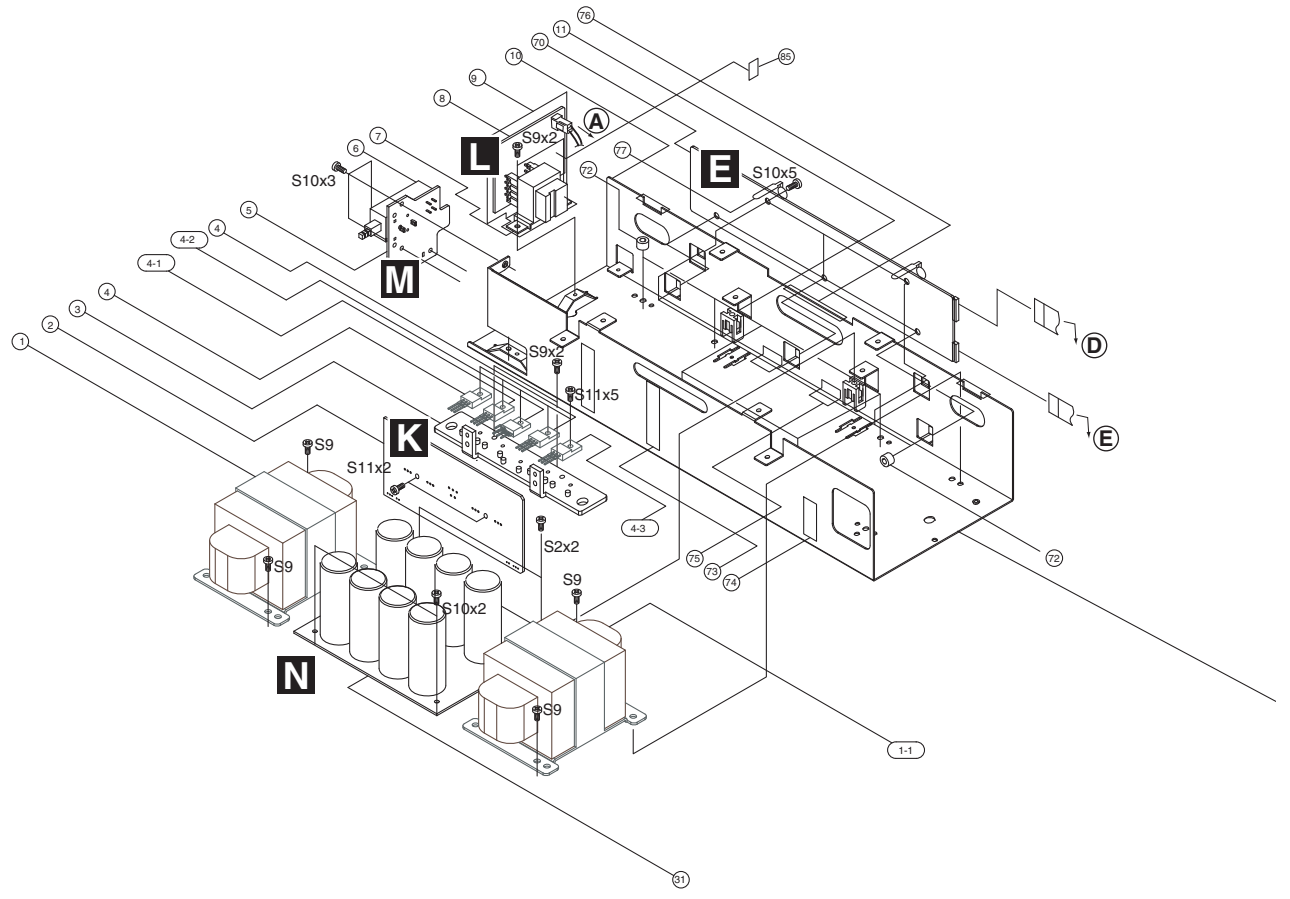
D

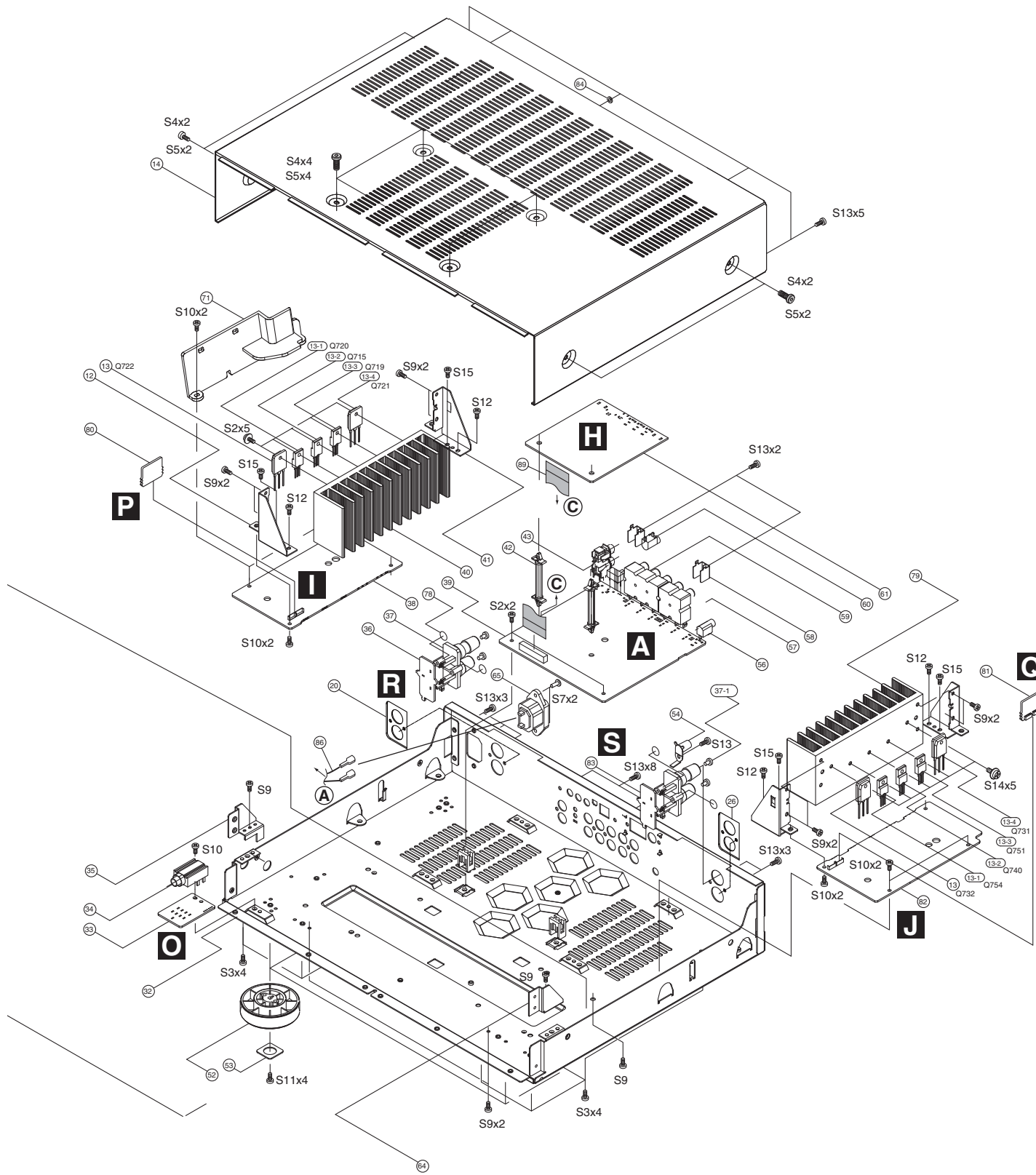
E

F

9.4 EXTERIOR SECTION (A-A6MK2-K)

• A-A6MK2-K model





EXTERIOR SECTION (A-A6MK2-K) SECTION PARTS LIST

	<u>Mark No.</u>	<u>Description</u>	<u>Part No.</u>	<u>Mark No.</u>	<u>Description</u>	<u>Part No.</u>
	⚠	1 Trans Main L	8200660550340-IL	43	Jack RCA 2Pin	G601207AEGG02-IL
A	⚠	1-1 Trans Main R	8200660550390-IL			
		2 REG IC Assy	7028065473010-IL	44	Lens Direct	3710210663000-IL
		3 Heat Sink TR	2120211008000-IL	45	Cover LCD L	4310212951000-IL
		4 IC,Reg	J126781200040-IL	46	Cover LCD R	4310212961000-IL
				47	LCD Display	AAV7118
		4-1 IC,Reg	J126791200060-IL	48	Sheet LCD Diffusion	1210210382000-IL
		5 POWER SW Assy	7028067946020-IL			
		6 S/W Power	G000390130010-IL	49	Window Rat LCD	5070212313000-IL
		7 Trans sub	8200280150330-IL	50	Housing LCD	3050210051000-IL
		8 SUB TRANS Assy	7028067949060-IL	51	ENCODER SW Assy	7028067948010-IL
B				52	Foot	4000210391000-IL
		9 Plate Sub Trans	4470211012000-IL	53	Cushion Foot	4050211605000-IL
		10 Bracker Trans	4010212736100-IL			
		11 Support PCB	4070001601010-IL	54	Terminal Ground	3790000090000-IL
		12 Bracker Heat Sink L	4010212716000-IL	57	Jack RCA 4Pin	G602617AG020Y-IL
	⚠	13 Semi,TR (Q722_Lch/Q732_Rch)J5001386A0010-IL		58	Shield Plate Ground	3070045526010-IL
				59	RCA Jack 6Pin	G603617AG04GY-IL
	⚠	13-1 Semi,TR (Q720_Lch/Q754_Rch)2SA1859A		60	Earphone Jack	G40130802000Y-IL
	⚠	13-2 Semi,TR (Q715_Lch/Q740_Rch)J5024137V0130-IL				
	⚠	13-3 Semi,TR (Q719_Lch/Q751_Rch)2SC4883A		61	XM-READY Assy	7028065368030-IL
	⚠	13-4 Semi,TR (Q721_Lch/Q731_Rch)J5023519A0010-IL		62	Encoder, SW/ Volume	G121162401200-IL
C		14 Cabinet Top Cover	3007210796020-IL	63	Encoder, SW/ Input	G121162400050-IL
				64	Bracket Frame R	4010212706000-IL
		15 Knob Volume	5088211388200-IL	65	AC Inlet	G430000180010-IL
		16 Knob Input	5088211368200-IL			
		17 Badge	BAM1004	66	Module	E940633800000-IL
		18 Panel Front L	ANB7523	67	REMOCON Assy	7028067945020-IL
		19 Spring	3720210396000-IL	70	STATION Assy	7028065472020-IL
				71	Holder Inlet Cord	4320210601000-IL
		20 Sheet Speaker L	1217210482060-IL	72	Cushion Screw	4050211205000-IL
		21 Lens Remocon	3710210683000-IL			
		22 Window Display	PAM1867	NSP 73	Acetape(15*80)	1220210059070-IL
D		23 Panel Front R	ANB7524	NSP 74	Acetape(15*45)	1220210059050-IL
		24 Frame Panel	3217211641200-IL	NSP 75	Acetape(33*50)	1220210319000-IL
				NSP 76	Acetape(15*110)	1220210059000-IL
		25 Knob Power	5088211391200-IL	77	Clamp Retainer Coil	4330210062000-IL
		26 Sheet Speaker R	1217210482010-IL			
		27 POWER LED Assy	7028067947020-IL	NSP 78	Cushion Cap Screw	4050211745000-IL
		28 Lens Stand By	3710210693000-IL	NSP 79	Heat Sink Main R	2120211048000-IL
		29 Stopper LED	4380210081000-IL	80	PROTECTION L-CH ASSY	7028065369010-IL
				81	PROTECTION R-CH ASSY	7028065369020-IL
		30 FRONT Assy	7028067944020-IL	82	AMP RCH ASSY	7028067942010-IL
		31 MAIN Assy	7028067943030-IL			
E	NSP	32 Chassis Main & Back	3207212016070-IL	83	SPAKER R-CH Assy	7028065474020-IL
		33 HEADPHONE Assy	7028067948060-IL	84	Washer	1530210132000-IL
		34 Jack Phone	G402PJ612AG0Y-IL	85	Label Rating	5527042410010-IL
				86	CN, Wire 2P (CN301 SUB TRANS)	L000201020130-IL
		35 Bracket Fraem L	4010212696000-IL	87	Cable, Flat Card 1.25 10P (CN607 VR - CN9915 STATION)	N712102033810-IL
		36 SPAKER L-CH Assy	7028065474010-IL			
		37 Jack Speaker	G611202H0100Y-IL	88	Cable, Flat Card 14P (CN608 FRONT - CN9914 STATION)	N712143633810-IL
		37-1 Bushing Treminal	2410040353010-IL	89	Cable, Flat Card 1.25 23P (CN102 FUNCTION - CN501 XM READY)	N712230943810-IL
		38 AMP LCH Assy	7028067941010-IL	90	Spring	3720210276000-IL
		39 FUNCTION Assy	7028065367030-IL			
F	NSP	40 HEAT SINK MAIN L Assy	2120210998000-IL			
		41 Bracker Heat Sink R	4010212726000-IL			
		42 Spacer Support	4300210023000-IL			

<u>Mark No.</u>	<u>Description</u>	<u>Part No.</u>
S1	Screw (+2S 3*8 B-TYPE BK/BH)	B020030083B10-IL
S2	Screw (+2S 3*14 P+S-WASHER ZNY/HH)	B018230141H11-IL
S3	Screw (+2S 4*10 ZNY/HH)	B020030171B10-IL
S4	Screw (1500040103P41S)	B020030173B10-IL
S5	Screw (1500040104P41S)	B028940101B10-IL
S6	
S7	Screw (+2S 3*8 B-TYPE FH/CU)	B020030086F10-IL
S8	Screw (+2S 3*10 B-TYPE BH/CU)	B020030106B10-IL
S9	Screw (+2S 3*8 B-TYPE(DOT) BH/CU)	B020030086B11-IL
S10	Screw (+2S 3*8 B-TYPE WASHER BH/CU)	B028030086B10-IL
S11	Screw (+2S 3*8 B-TYPE BH/CU)	B020030086B10-IL
S12	Screw (+2S 3*6 B-TYPE BH/CU)	B020030066B10-IL
S13	Screw (+3S 3*10 B-T(DOT) BH/CU))	B020030106B11-IL
S14	Screw	B018230141H10-IL
S15	Screw	B020030066B11-IL

A

B

C

D

E

F

9.5 PACKING SECTION (SX-A9MK2-K)

A

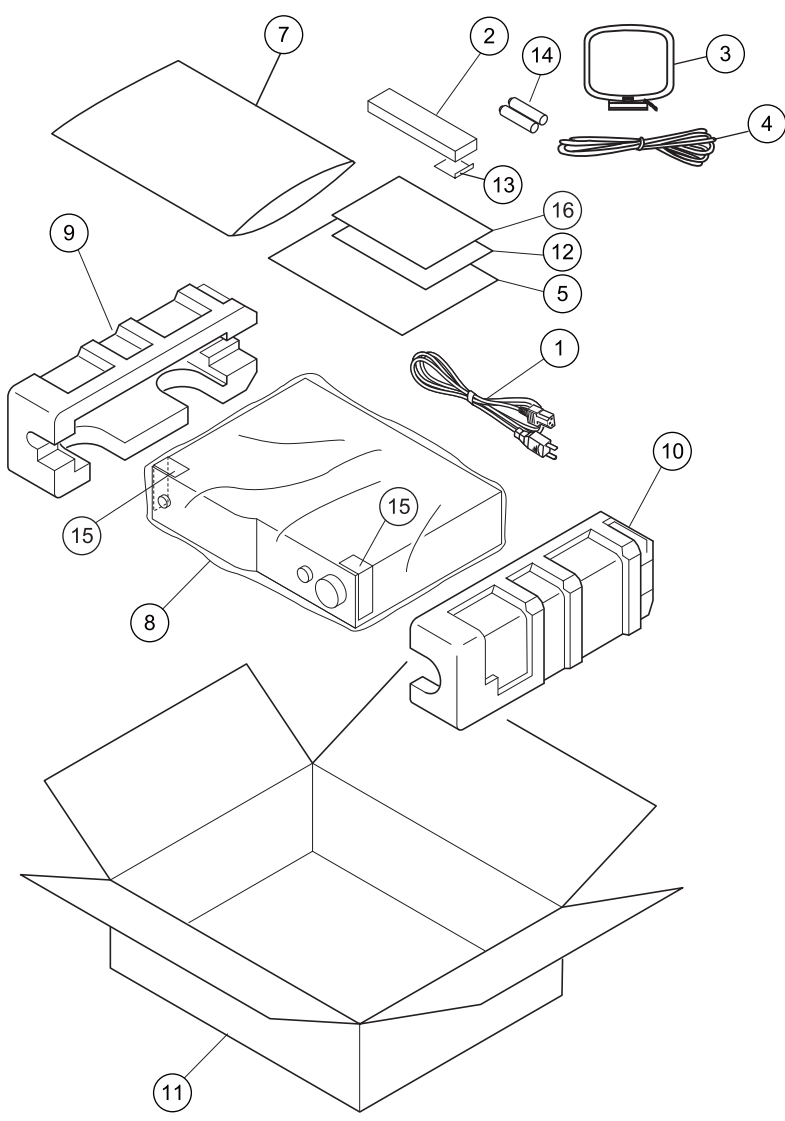
B

C

D

E

F



PACKING SECTION (SX-A9MK2-K) PARTS LIST

<u>Mark No.</u>	<u>Description</u>	<u>Part No.</u>
△	1 Power Cable	L068125130010-IL
	2 Remote Control	8300756000010-IL
	3 AM Loop Antenna	E605010130010-IL
	4 FM Wire Antenna	E605000030050-IL
	5 Operating Instructions (En/Frca)	5707000002411-IL
	6	
NSP	7 Polyethylene Bag	6337000240010-IL
	8 PE,Sheet	RHC1023
	9 Cushion,Snow L	6230211534000-IL
	10 Cushion,Snow R	6230211544000-IL
	11 Box,Gift	6007210940090-IL
NSP	12 Warranty Card	ARY7007
	13 Battery Cover	PZN1108
NSP	14 Dry Cell Batteries x2 (AAA/IEC R03)	G670001R50210-IL
	15 Protection Sheet	PHF1002
NSP	16 Warranty Card	PRY1007

A

B

C

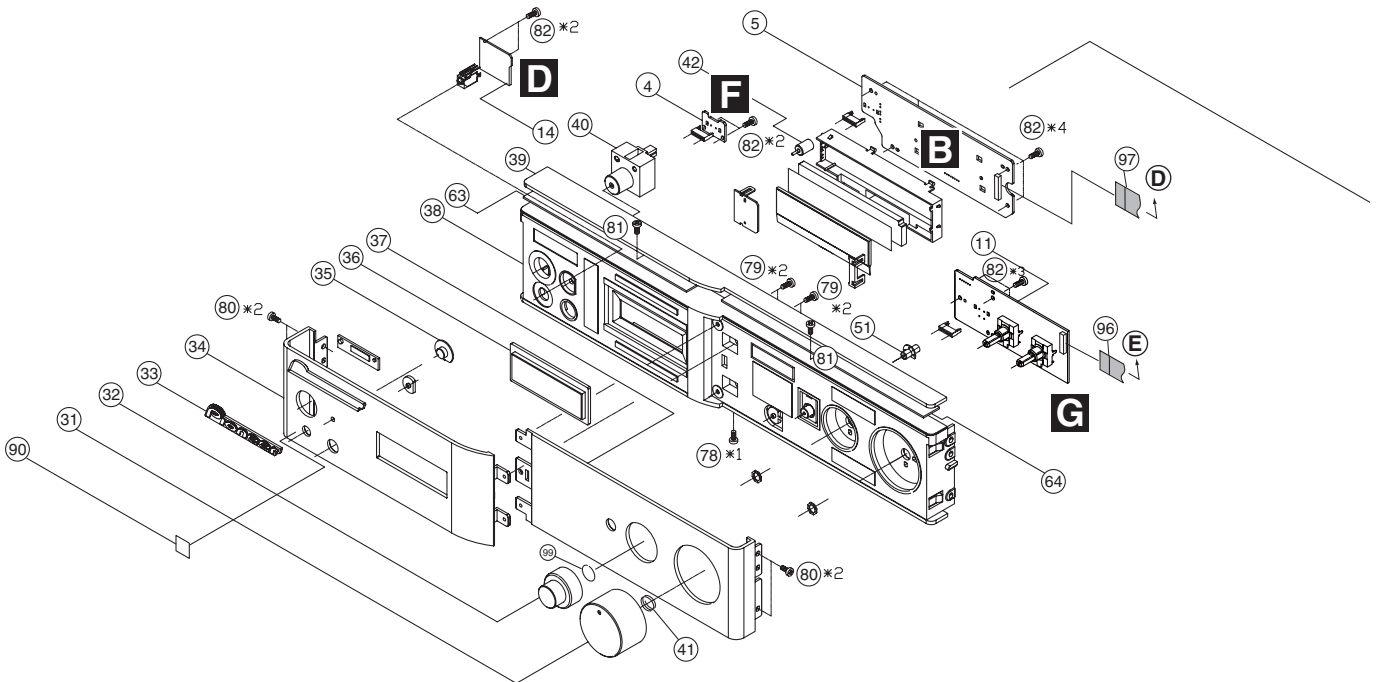
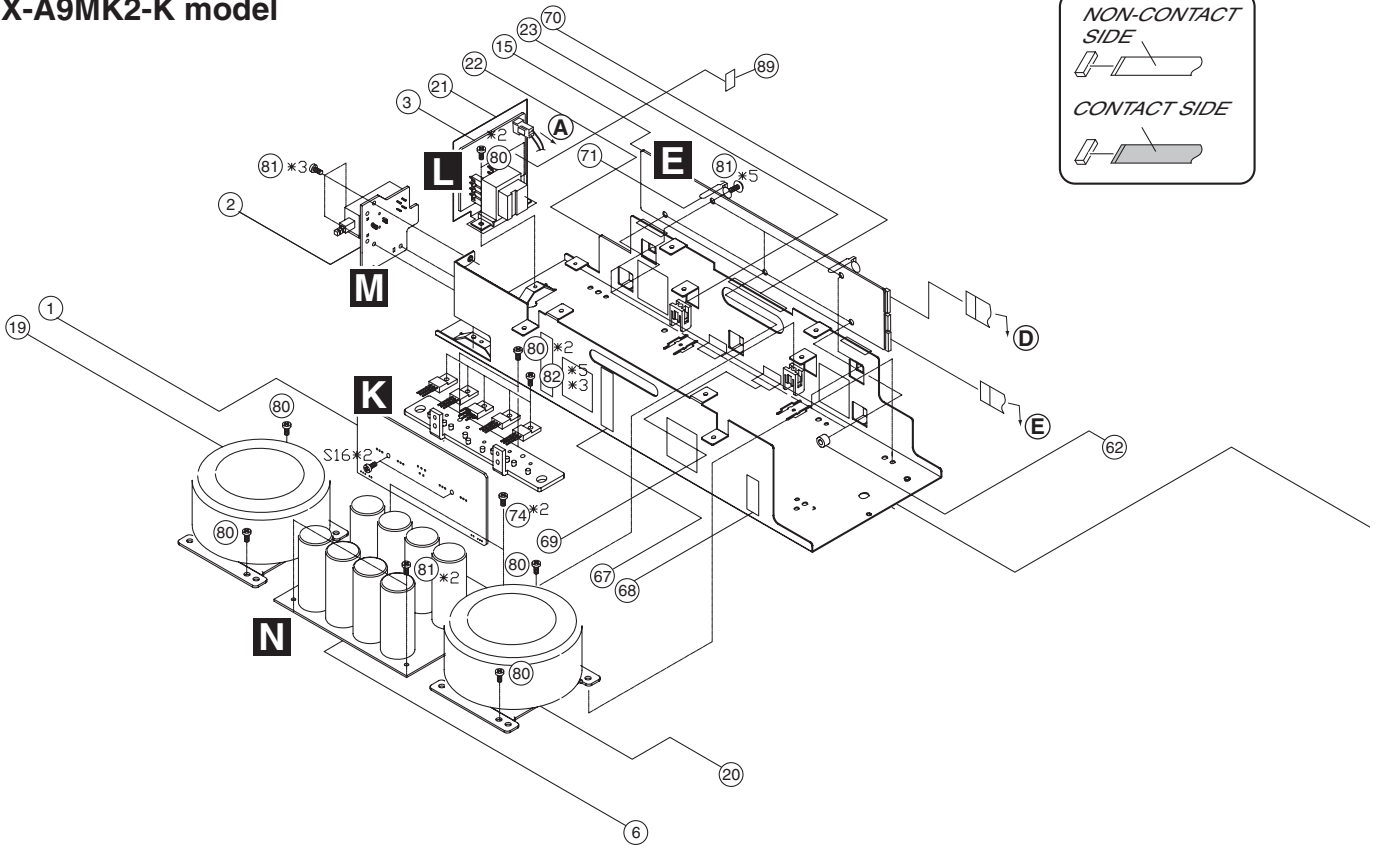
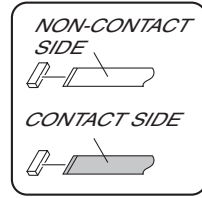
D

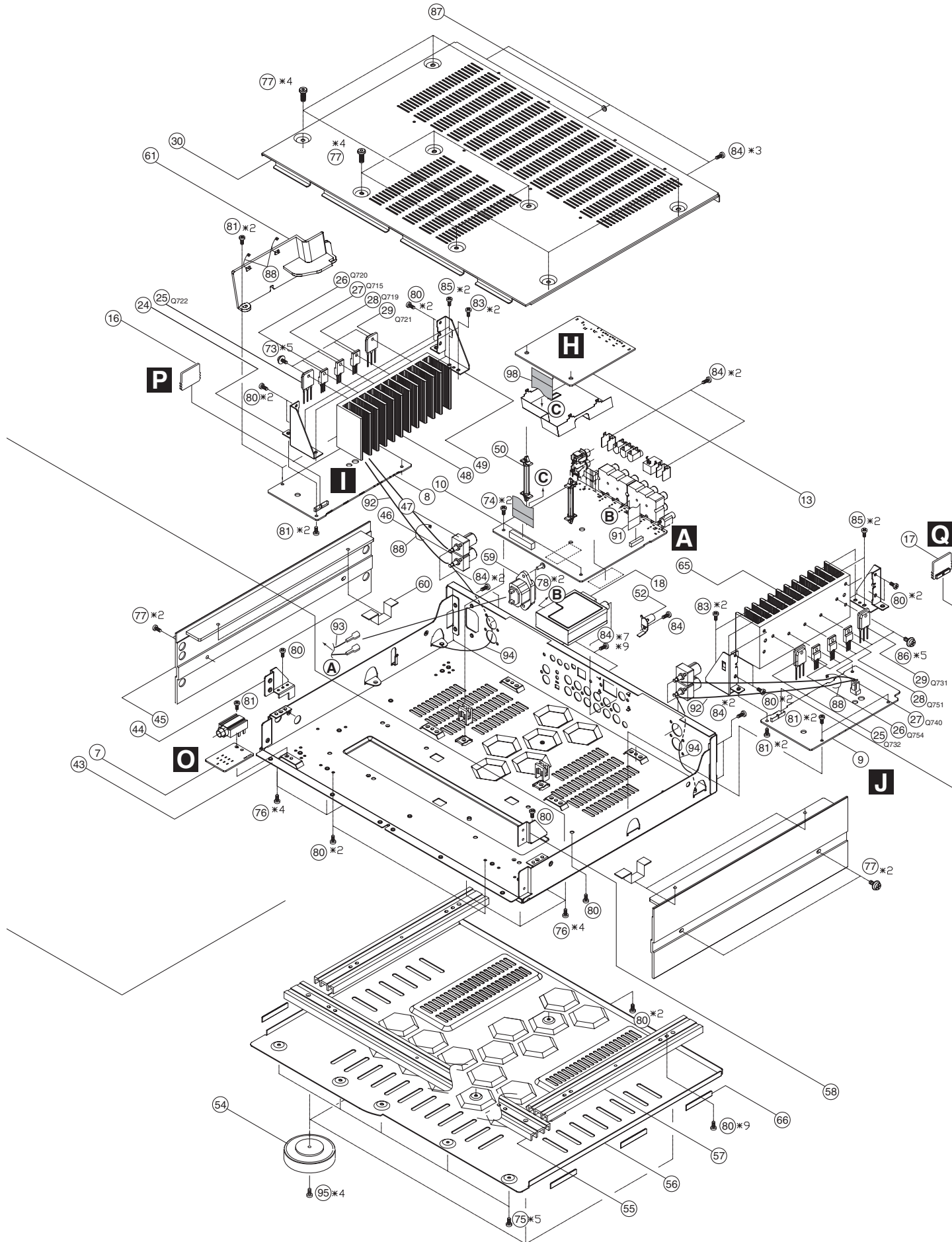
E

F

9.6 EXTERIOR SECTION (SX-A9MK2-K)

• SX-A9MK2-K model





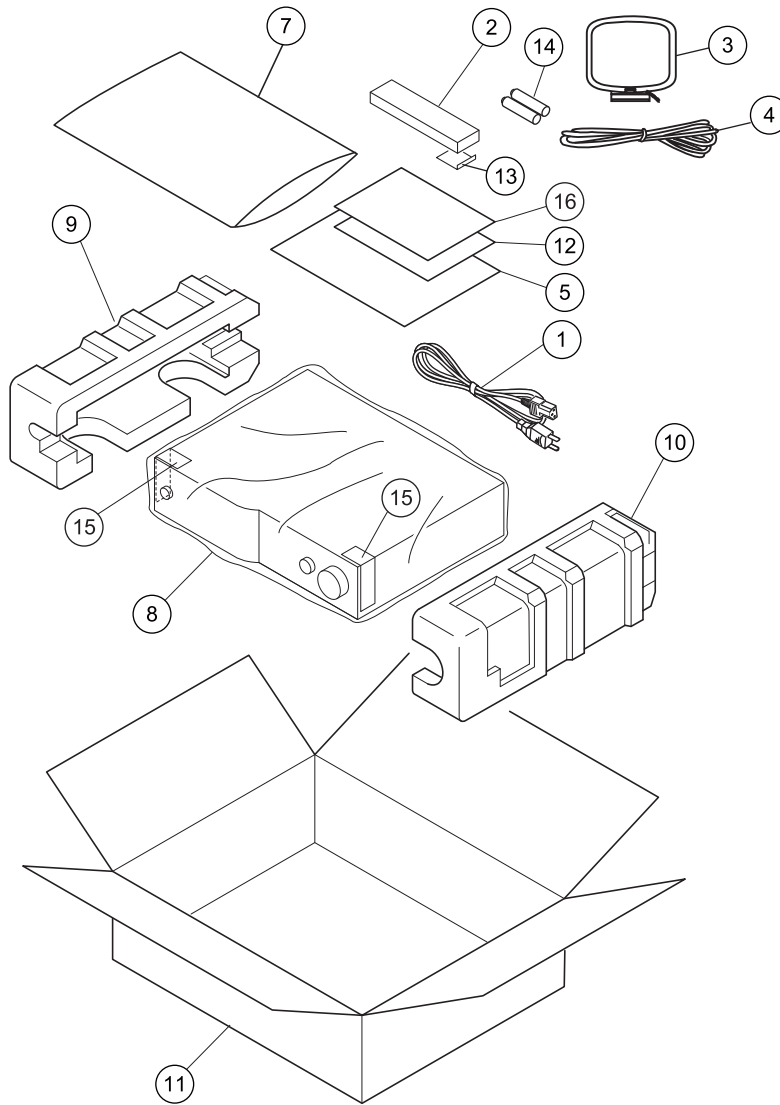
A-A9MK2-K

EXTERIOR SECTION (SX-A9MK2-K) PARTS LIST

Mark No.	Description	Part No.	Mark No.	Description	Part No.
	1 REG IC Assy	7028065473030-IL	53	
A	2 POWER SW Assy	7028067946010-IL	54	Foot Assy	400821048000-IL
	3 SUB TRANS Assy	7028067949030-IL	55	Bar Bottom Front	1040000018000-IL
	4 POWER LED Assy	7028067947010-IL	56	Cover Bottom	4317212946000-IL
	5 FRONT Assy	7028067944010-IL	57	Bar Bottom Side	1040000028000-IL
	6 MAIN Assy	7028067943020-IL	58	Bracket Frame R	4010212706000-IL
	7 HEADPHONE Assy	7028067948060-IL	59	AC Inlet	G430000180010-IL
	8 AMP LCH Assy	7028067941010-IL	60	Holder Chip	4320210591000-IL
	9 AMP RCH ASSY	7028067942010-IL	61	Holder Inlet Cord	4320210601000-IL
	10 FUNCTION Assy	7028065367020-IL	62	Cushion Screw	4050211205000-IL
B	11 ENCODER SW Assy	7028067948010-IL	NSP 63	Tape Plate Top(E)	1220210299000-IL
	12		NSP 64	Tape Plate Top(F)	1220210309000-IL
	13 XM-READY Assy	7028065368020-IL	NSP 65	Heat Sink Main R	2120211048000-IL
	14 REMOCON Assy	7028067945010-IL	66	Cushion Side Panel	4050211725000-IL
	15 STATION Assy	7028065472010-IL	NSP 67	Acetape(15*80)	1220210059070-IL
	16 PROTECTION L-CH ASSY	7028065369010-IL	NSP 68	Acetape(15*45)	1220210059050-IL
	17 PROTECTION R-CH ASSY	7028065369020-IL	NSP 69	Acetape(33*50)	1220210319000-IL
	18 FM/AM TUNER UNIT	AXX7172	NSP 70	Acetape(15*110)	1220210059000-IL
⚠	19 POWER TRANS L	8200900550110-IL	71	Clamp Retainer Coil	4330210062000-IL
⚠	20 POWER TRANS R	8200900550120-IL	72	Screw	B020030083B10-IL
C	21 Plate Sub Trans	4470211012000-IL		(+2S 3*8 B-TYPE BK/BH)	
	22 Bracker Trans	4010212736100-IL	73	Screw	B018230141H11-IL
	23 Support PCB	4070001601010-IL		(+2S 3*14 P+S-WASHER ZNY/HH)	
	24 Bracker Heat Sink L	4010212716000-IL	74	Screw	B020030171B10-IL
⚠	25 Semi,TR (Q722_Lch/Q732_Rch)J5001386A0010-IL			(+2S 3*17 B-TYPE ZNY/BH)	
⚠	26 Semi,TR (Q720_Lch/Q754_Rch)2SA1859A		75	Screw	B020030173B10-IL
⚠	27 Semi,TR (Q715_Lch/Q740_Rch)J5024137V0130-IL			(+2S 3*17 B-TYPE BK/BH)	
⚠	28 Semi,TR (Q719_Lch/Q751_Rch)2SC4883A		76	Screw (+2S 4*10 ZNY/HH)	B028940101B10-IL
⚠	29 Semi,TR (Q721_Lch/Q731_Rch)J5023519A0010-IL		77	Screw	1500040103P41-IL
	30 Cabinet Top Cover	3007210786020-IL		(+2S 4*10 B-TYPE CR-PLATE)	
D	31 Knob Volume	5088211388200-IL	78	Screw	B020030086F10-IL
	32 Knob Input	5088211368200-IL		(+2S 3*8 B-TYPE FH/CU)	
	33 Badge	PAN1376	79	Screw	B020030106B10-IL
	34 Panel Front L	ANB7530		(+2S 3*10 B-TYPE BH/CU)	
	35 Lens Remocon	3710210683000-IL	80	Screw	B020030086B11-IL
	36 Window Display	PAM1867		(+2S 3*8 B-TYPE(DOT) BH/CU)	
	37 Panel Front R	ANB7513	81	Screw	B028030086B10-IL
	38 Frame Panel	3217211651200-IL		(+2S 3*8 B-TYPE WASHER BH/CU)	
	39 Plate Top	4477211028100-IL	82	Screw	B020030086B10-IL
	40 Knob Power	5088211391200-IL		(+2S 3*8 B-TYPE BH/CU)	
E	41 Spring	3720210396000-IL	83	Screw	B020030066B10-IL
	42 Lens Stand By	3710210693000-IL		(+2S 3*6 B-TYPE BH/CU)	
NSP	43 Chassis Main & Back	3207212016260-IL	84	Screw	B020030106B11-IL
	44 Bracket Fraem L	4010212696000-IL		(+3S 3*10 B-T(DOT) BH/CU))	
	45 Panel Side	3067212818020-IL	85	Screw	B020030066B11-IL
	46 Ter,Board Screw(BK)	G610040300000-IL		(+3S 3*6 +2S 3*6 B-TYPE(DUT) BH/CU))	
	47 Ter,Board Screw(RD)	G610040310000-IL	86	Screw	B018230141H10-IL
NSP	48 Heat Sink Main L	2120210998000-IL	87	Washer	1530210132000-IL
	49 Bracker Heat Sink R	4010212726000-IL	88	Clamp	4330040343010-IL
F	50 Spacer Support	4300210023000-IL	89	Label Rating	5527042410010-IL
	51 Lens Direct	3710210663000-IL	NSP 90	Energy Star Label	AAX8022
	52 Terminal Ground	3790000090000-IL	91	Cable, Flat Card	N712110943810-IL
				(TUNER UNIT)	
			92	CN, Wire 2P	L000121020210-IL

Mark No.	Description	Part No.	Mark No.	Description	Part No.
	(CN711 AMP LCH/ CN712 AMP RCH)		96	Cable, Flat Card 1.25 10P (CN607 VR - CN9915 STATION)	N712102033810-IL
93	CN, Wire 2P (CN301 SUB TRANS)	L000201020130-IL	97	Cable, Flat Card 14P (CN608 FRONT - CN9914 STATION)	N712143633810-IL
94	1P Wire Lugpin (TER, BOARD Screw)	8410101010220-IL	98	Cable, Flat Card 1.25 23P (CN102 FUNCTION - CN501 XM READY)	N712230943810-IL
95	Screw	B020740273B10-IL	99	Spring	3720210276000-IL

9.7 PACKING SECTION (SX-A6MK2-K)

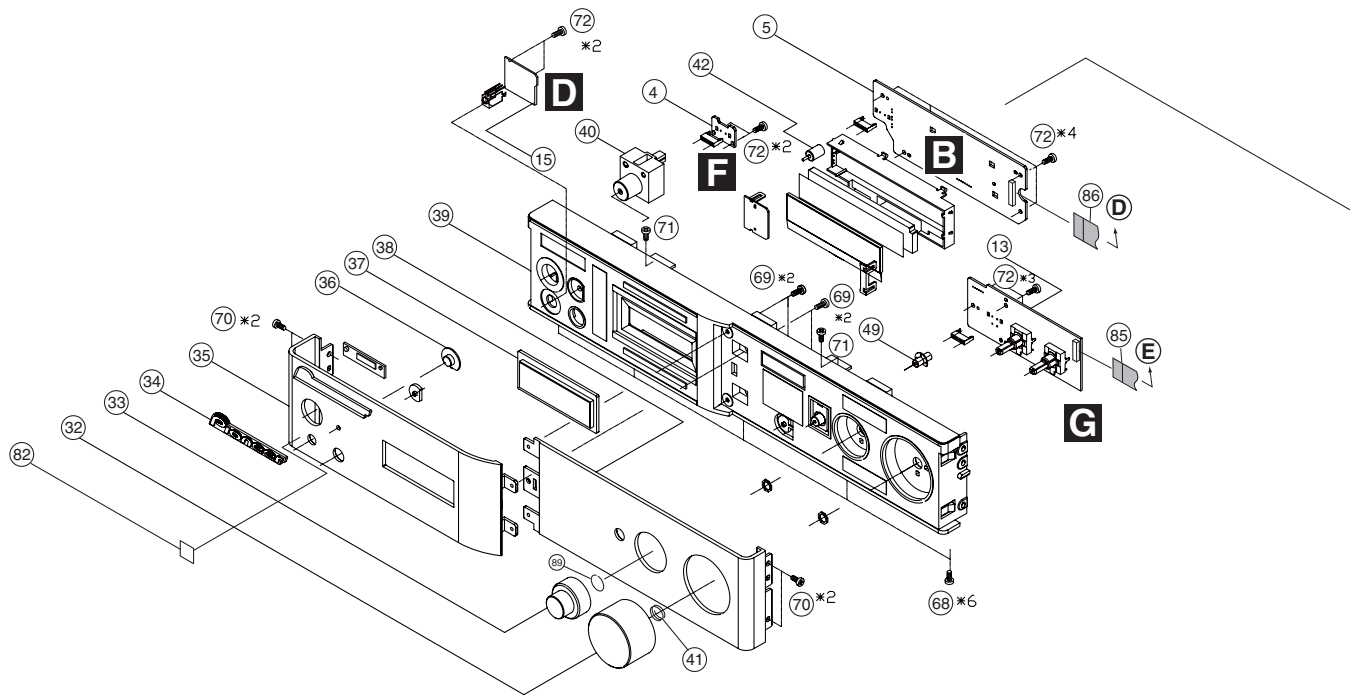
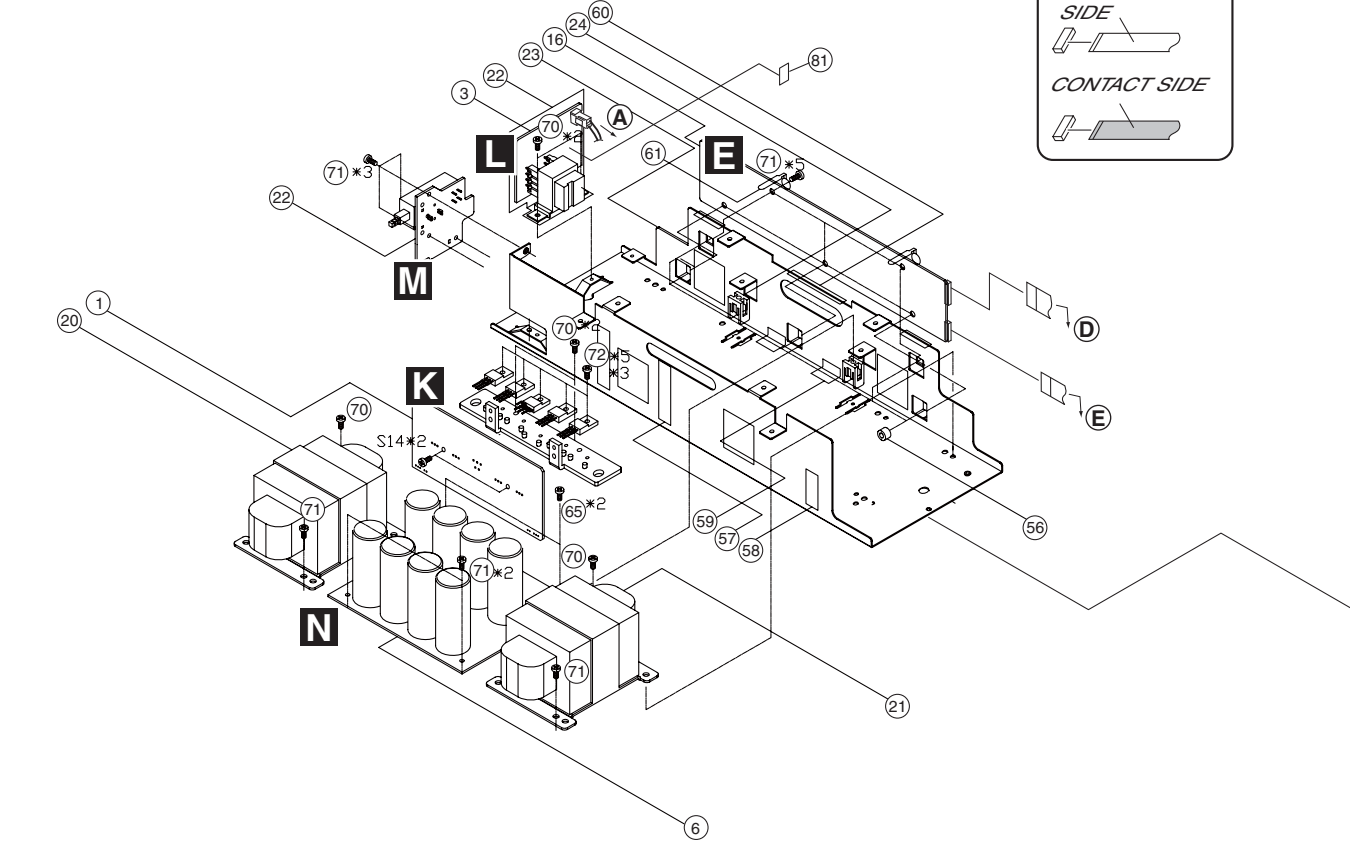
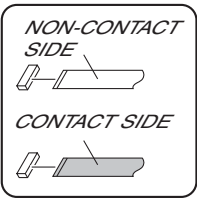


PACKING SECTION (SX-A6MK2-K) PARTS LIST

Mark No.	Description	Part No.	Mark No.	Description	Part No.
⚠	1 Power Cable	L068125130010-IL	10	Cushion, Snow R	6230211524000-IL
	2 Remote Control	8300756200010-IL	11	Box, Gift	60072109300B0-IL
	3 AM Loop Antenna	E605010130010-IL	NSP	12 Warranty Card	ARY7077
	4 FM Wire Antenna	E605000030050-IL	13	Battery Cover	PZN1108
	5 Operating Instructions (En/Frca)	5707000002371-IL	NSP	14 Dry Cell Batteries x2 (AAA/IEC R03)	G670001R50210-IL
	6		15	Protection Sheet	PHF1002
NSP	7 Polyethylene Bag	6337000240010-IL	NSP	16 Warranty Card	PRY1007
	8 PE, Sheet	RHC1023			
	9 Cushion, Snow L	6230211514000-IL			

9.8 EXTERIOR SECTION (SX-A6MK2-K)

• SX-A6MK2-K model



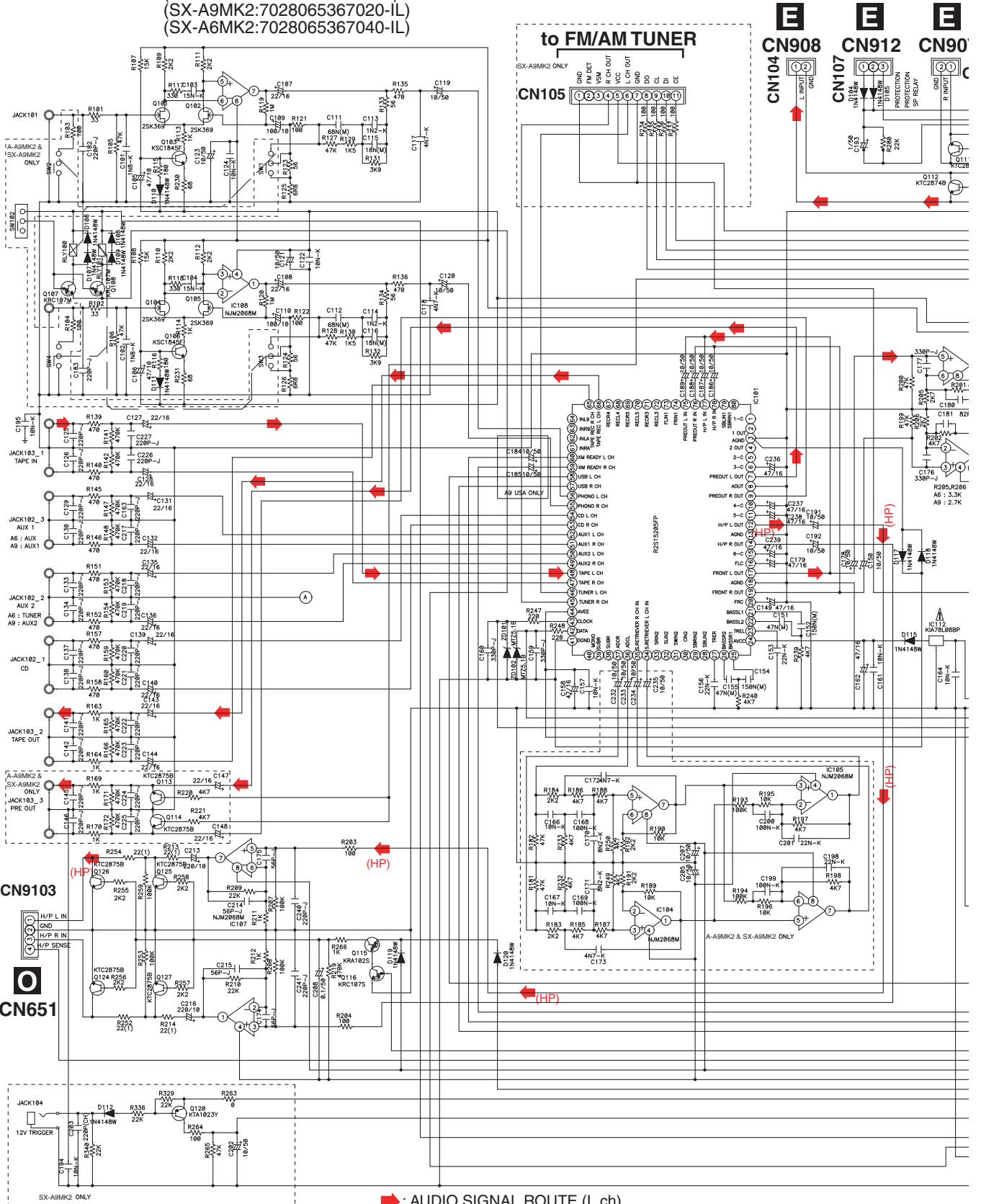
EXTERIOR SECTION (SX-A6MK2-K) PARTS LIST

Mark No.	Description	Part No.	Mark No.	Description	Part No.
A	1 REG IC Assy	7028065473030-IL	50	Foot	4000210391000-IL
	2 POWER SW Assy	7028067946020-IL	51	Cushion Foot	4050211605000-IL
	3 SUB TRANS Assy	7028067949070-IL	52	Terminal Ground	3790000090000-IL
	4 POWER LED Assy	7028067947020-IL	53	Bracket Frame R	4010212706000-IL
	5 FRONT Assy	7028067944020-IL	54	AC Inlet	G430000180010-IL
	6 MAIN Assy	7028067943060-IL	55	Holder Inlet Cord	4320210601000-IL
	7 HEADPHONE Assy	7028067948060-IL	56	Cushion Screw	4050211205000-IL
	8 SPEAKER L-CH Assy	7028065474010-IL	NSP 57	Acetape(15*80)	1220210059070-IL
	9 SPEAKER R-CH Assy	7028065474020-IL	NSP 58	Acetape(15*45)	1220210059050-IL
	10 AMP LCH Assy	7028067941010-IL	NSP 59	Acetape(33*50)	1220210319000-IL
B	11 AMP RCH ASSY	7028067942010-IL	NSP 60	Acetape(15*110)	1220210059000-IL
	12 FUNCTION Assy	7028065367040-IL	61	Clamp Retainer Coil	4330210062000-IL
	13 ENCODER SW Assy	7028067948010-IL	62	Cushion Cap Screw	4050211745000-IL
	14 XM-READY Assy	7028065368040-IL	NSP 63	Heat Sink Main R	2120211048000-IL
	15 REMOCON Assy	7028067945020-IL	64	Screw (+2S 3*14 P+S-WASHER ZNY/HH)	B018230141H11-IL
	16 STATION Assy	7028065472020-IL	65	Screw (+2S 4*10 ZNY/HH)	B020030171B10-IL
	17 PROTECTION L-CH ASSY	7028065369010-IL	66	Screw	1500040103P41-IL
	18 PROTECTION R-CH ASSY	7028065369020-IL	67	Screw (1500040104P41S)	B028940101B10-IL
	19 FM/AM TUNER UNIT	AXX7172	68	Screw (+2S 3*8 B-TYPE FH/CU)	B020030086F10-IL
C	⚠ 20 Trans Main L	8200660550450-IL	69	Screw (+2S 3*10 B-TYPE BH/CU)	B020030106B10-IL
	⚠ 21 Trans Main R	8200660550460-IL	70	Screw (+2S 3*8 B-TYPE(DOT) BH/CU)	B020030086B11-IL
	22 Plate Sub Trans	4470211012000-IL	71	Screw (+2S 3*8 B-TYPE WASHER BH/CU)	B028030086B10-IL
	23 Bracker Trans	4010212736100-IL	72	Screw (+2S 3*8 B-TYPE BH/CU)	B020030086B10-IL
	24 Support PCB	4070001601010-IL	73	Screw (+2S 3*6 B-TYPE BH/CU)	B020030066B10-IL
	25 Bracker Heat Sink L	4010212716000-IL	74	Screw (+3S 3*10 B-T(DOT) BH/CU))	B020030106B11-IL
	⚠ 26 Semi,TR (Q722_Lch/Q732_Rch)J5001386A0010-IL		75	Screw (+2S 3*6 B-TYPE(DOT) BH/CU)	B020030066B11-IL
	⚠ 27 Semi,TR (Q720_Lch/Q754_Rch)2SA1859A		76	Screw	B018230141H10-IL
	⚠ 28 Semi,TR (Q715_Lch/Q740_Rch)J5024137V0130-IL		77	Washer	1530210132000-IL
D	⚠ 29 Semi,TR (Q719_Lch/Q751_Rch)2SC4883A		78	Clamp	4330040343010-IL
	⚠ 30 Semi,TR (Q721_Lch/Q731_Rch)J5023519A0010-IL		79	Sheet Speaker L	1217210482000-IL
	31 Cabinet Top Cover	3007210796020-IL	80	Sheet Speaker R	1217210482010-IL
	32 Knob Volume	5088211388200-IL	81	Label Rating	5527042410010-IL
	33 Knob Input	5088211368200-IL	NSP 82	Energy Star Label	AAX8022
	34 Badge	PAN1376	83	Cable, Flat Card (TUNER UNIT)	N712110943810-IL
	35 Panel Front L	ANB7529	84	CN, Wire 2P (CN301 SUB TRANS)	L000201020130-IL
	36 Lens Remocon	3710210683000-IL	85	Cable, Flat Card 1.25 10P (CN607 VR - CN9915 STATION)	N712102033810-IL
	37 Window Display	PAM1867			
E	38 Panel Front R	ANB7510			
	39 Frame Panel	3217211641200-IL			
	40 Knob Power	5088211391200-IL			
	41 Spring	3720210396000-IL			
	42 Lens Stand By	3710210693000-IL			
NSP	43 Chassis Main & Back	3207212016110-IL			
	44 Bracket Fraem L	4010212696000-IL			
	45 Bushing Terminal	2410040353010-IL			
NSP	46 Heat Sink Main L Assy	2120210998000-IL			
F	47 Bracker Heat Sink R	4010212726000-IL			
	48 Spacer Support	4300210023000-IL			
	49 Lens Direct	3710210663000-IL			

10. SCHEMATIC DIAGRAM

10.1 FUNCTION and HEADPHONE ASSYS

A FUNCTION ASSY (A-A9MK2:7028065367010-IL)
 (A-A6MK2:7028065367030-IL)
 (SX-A9MK2:7028065367020-IL)
 (SX-A6MK2:7028065367040-IL)

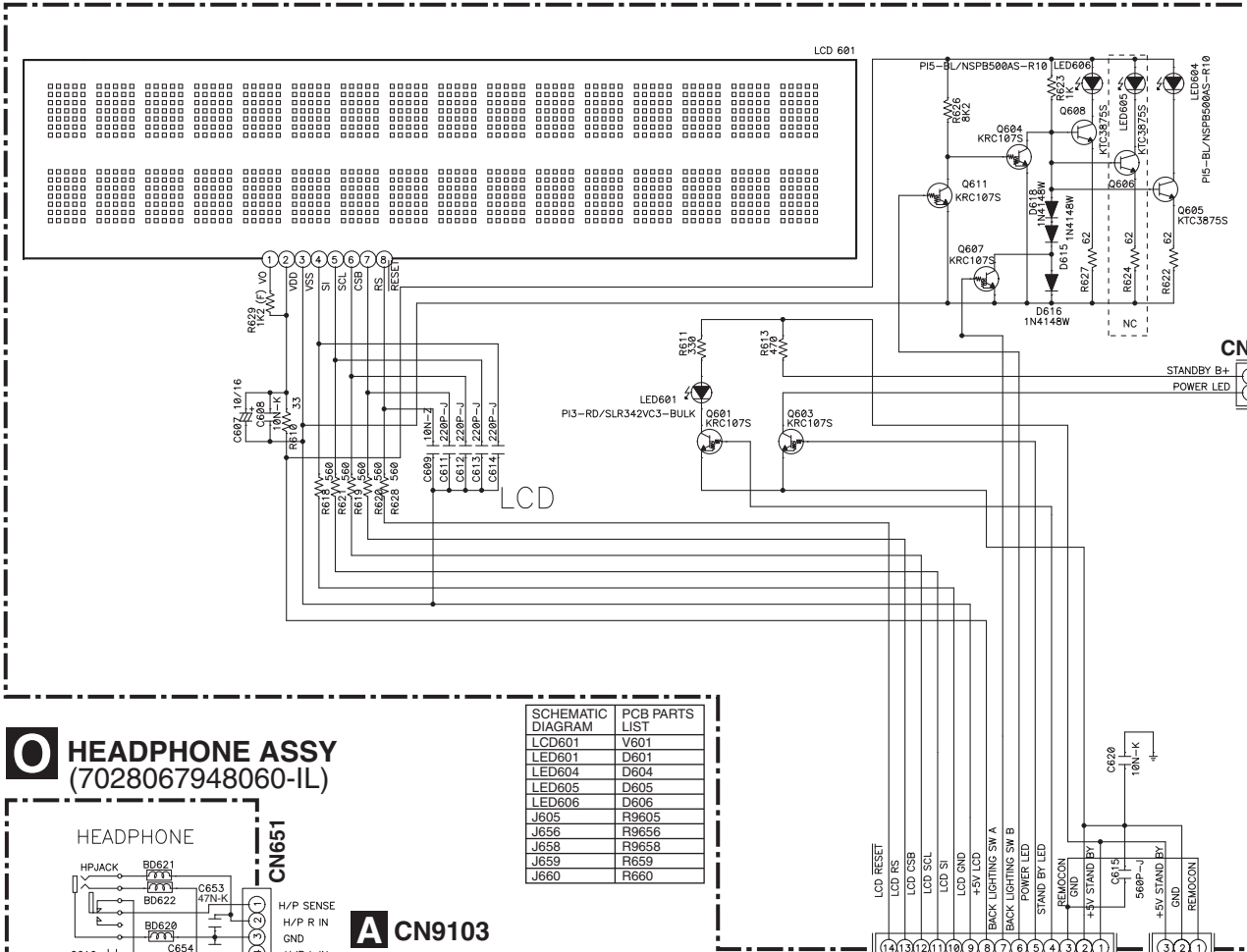


➔ : AUDIO SIGNAL ROUTE (L ch)
 (HP) ➔ : AUDIO SIGNAL ROUTE (H.P L ch)

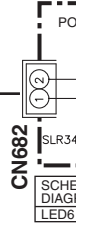


10.2 FRONT, REMOCON, STATION, POWER LED and ENCODER SW ASSYS

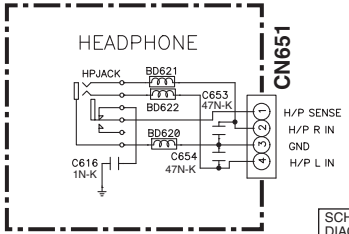
B FRONT ASSY (A-A9MK2, SX-A9MK2:7028067944010-IL) (A-A6MK2, SX-A6MK2:7028067944020-IL)



F POWER LED ASSY (A-A9M, A-A6M)



O HEADPHONE ASSY (7028067948060-IL)

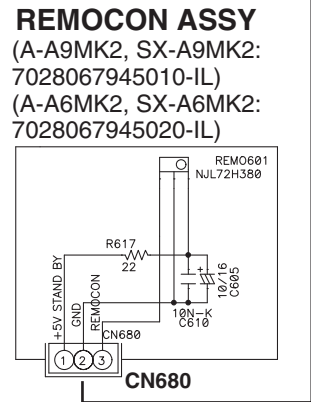


A CN9103

SCHEMATIC DIAGRAM	PCB PARTS LIST
JACK601	JA601

SCHEMATIC DIAGRAM	PCB PARTS LIST
LCD601	V601
LED601	D601
LED604	D604
LED605	D605
LED606	D606
J605	R9605
J656	R9656
J658	R9658
J659	R659
J660	R660

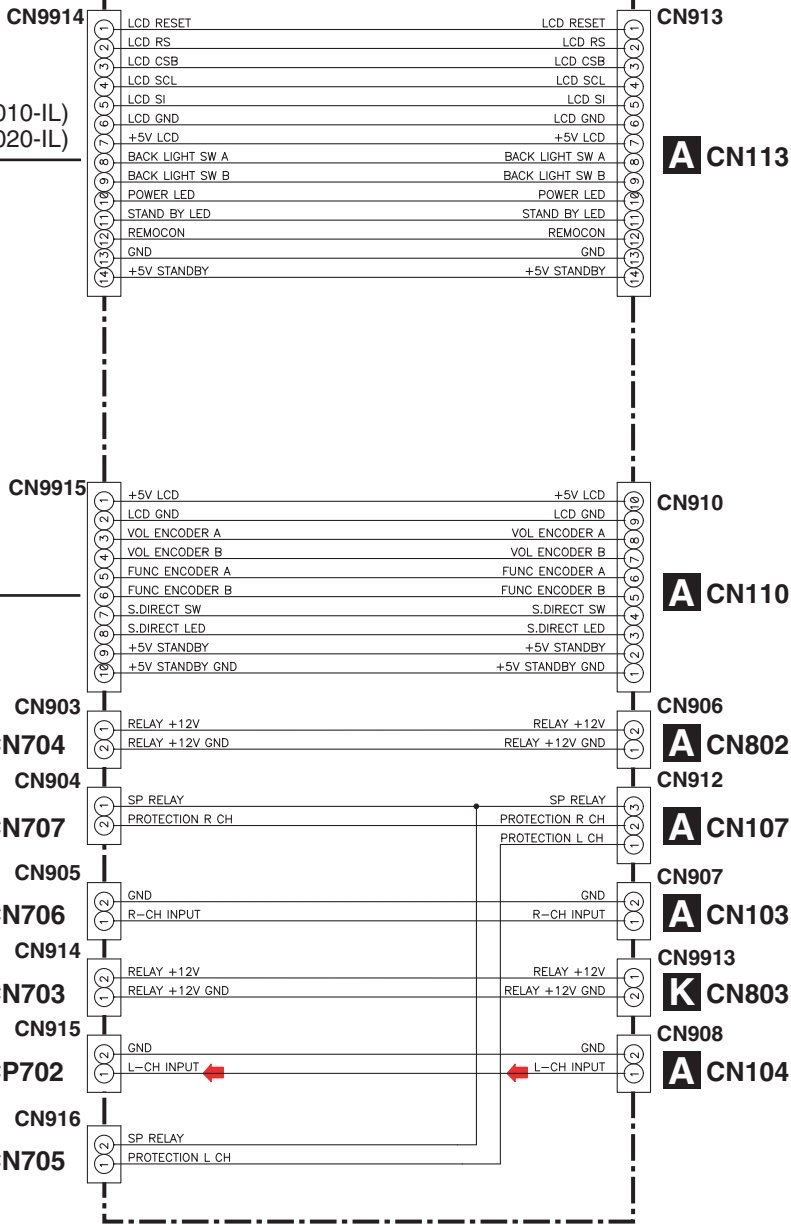
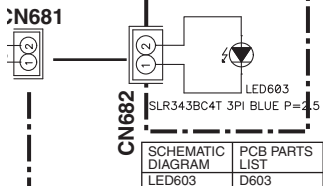
D REMOCON ASSY (A-A9MK2, SX-A9MK2:7028067945010-IL) (A-A6MK2, SX-A6MK2:7028067945020-IL)



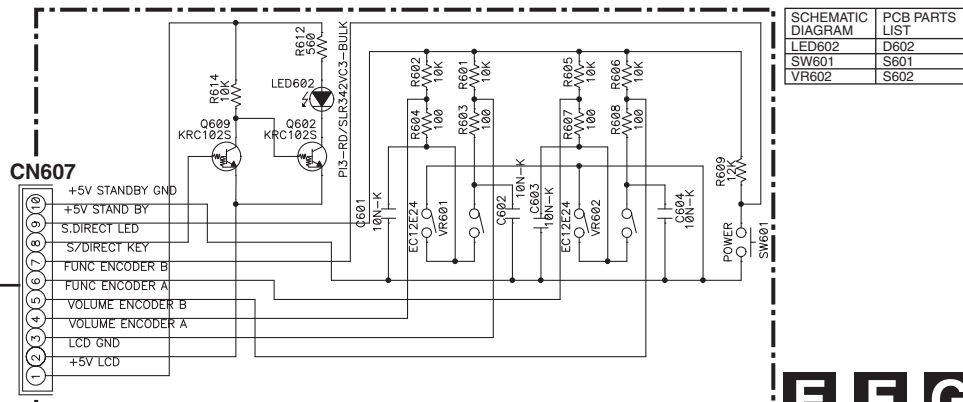
SCHEMATIC DIAGRAM	PCB PARTS LIST
REMO601	601

E STATION ASSY
 (A-A9MK2, SX-A9MK2:7028065472010-IL)
 (A-A6MK2, SX-A6MK2:7028065472020-IL)

F POWER LED ASSY
 (A-A9MK2, SX-A9MK2:7028067947010-IL)
 (A-A6MK2, SX-A6MK2:7028067947020-IL)



G ENCODER SW ASSY (7028067948010-IL) → AUDIO SIGNAL ROUTE (L ch)



10.3 XM-READY ASSY

A

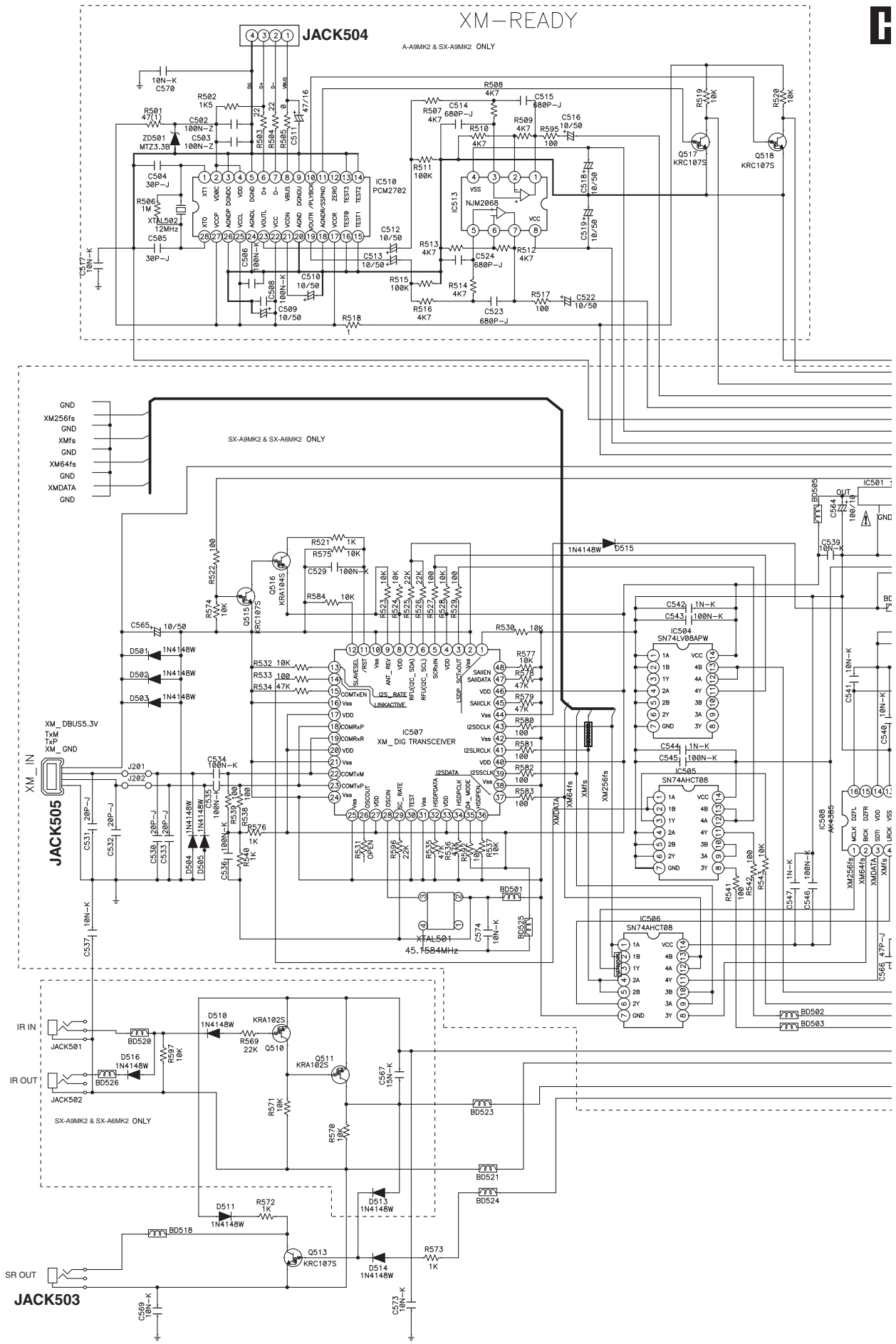
B

C

D

E

F



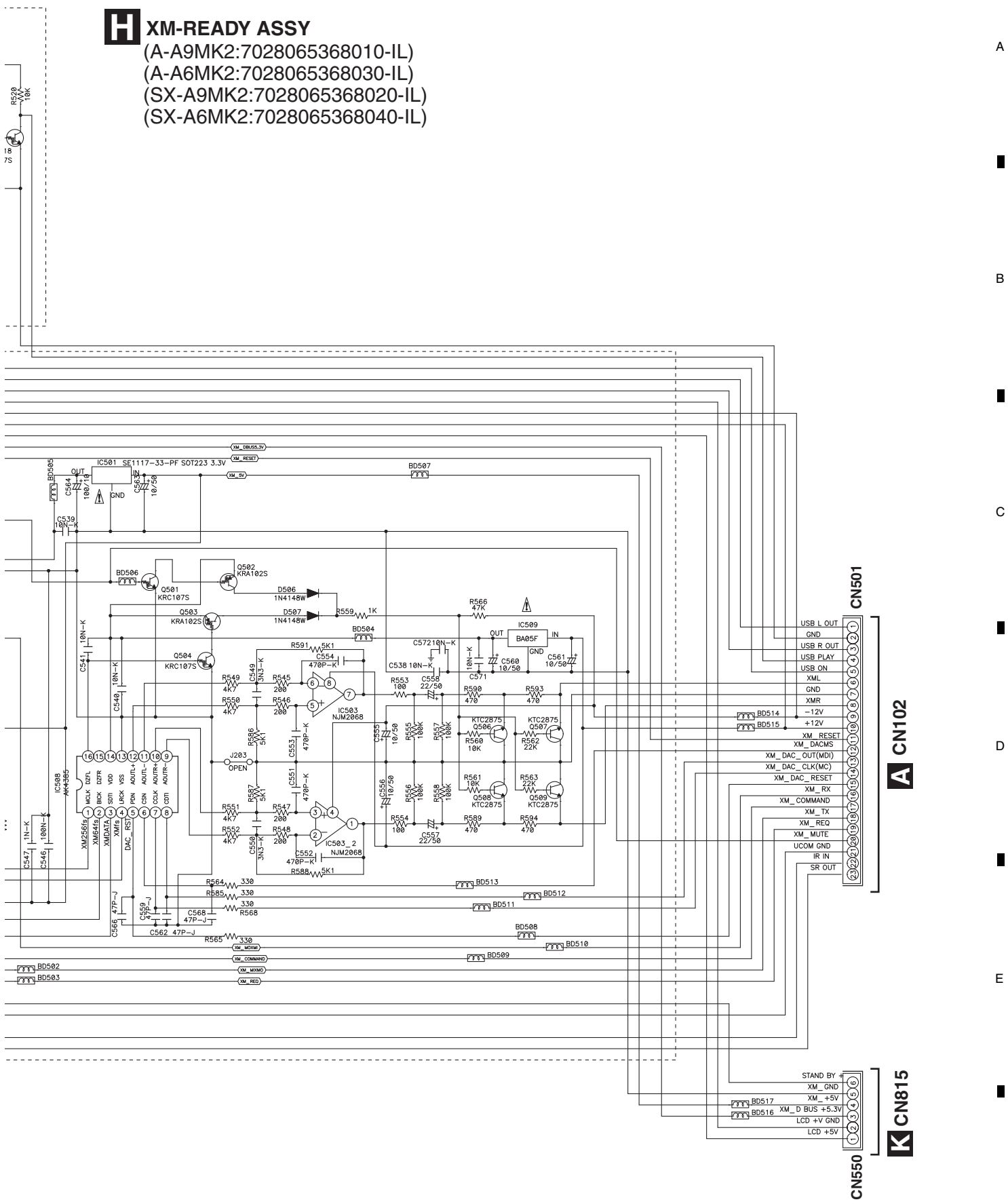
1

2

3

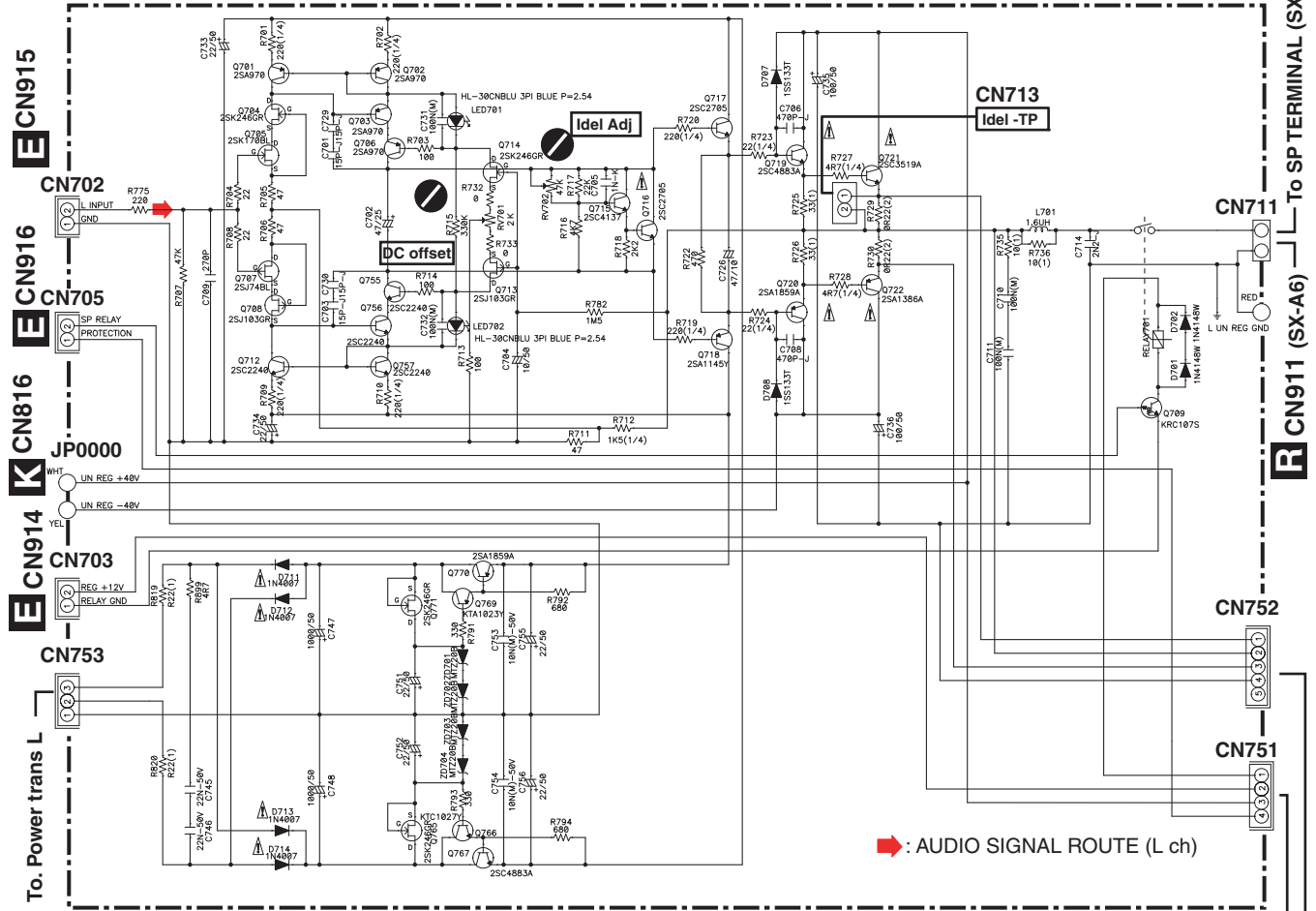
4

H XM-READY ASSY
 (A-A9MK2:7028065368010-IL)
 (A-A6MK2:7028065368030-IL)
 (SX-A9MK2:7028065368020-IL)
 (SX-A6MK2:7028065368040-IL)



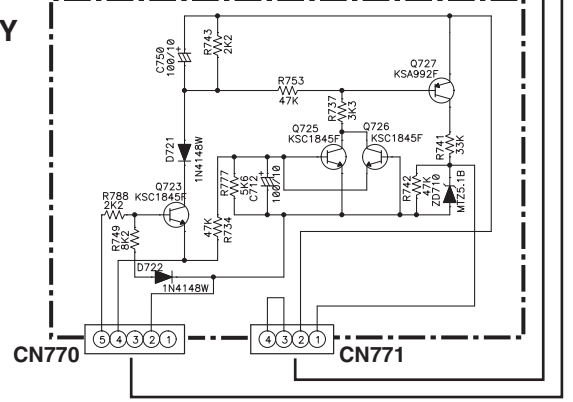
10.4 AMP LCH, AMP RCH, PROTECTION L-CH and PROTECTION R-CH ASSYS

AMP L CH ASSY (7028067941010-IL)

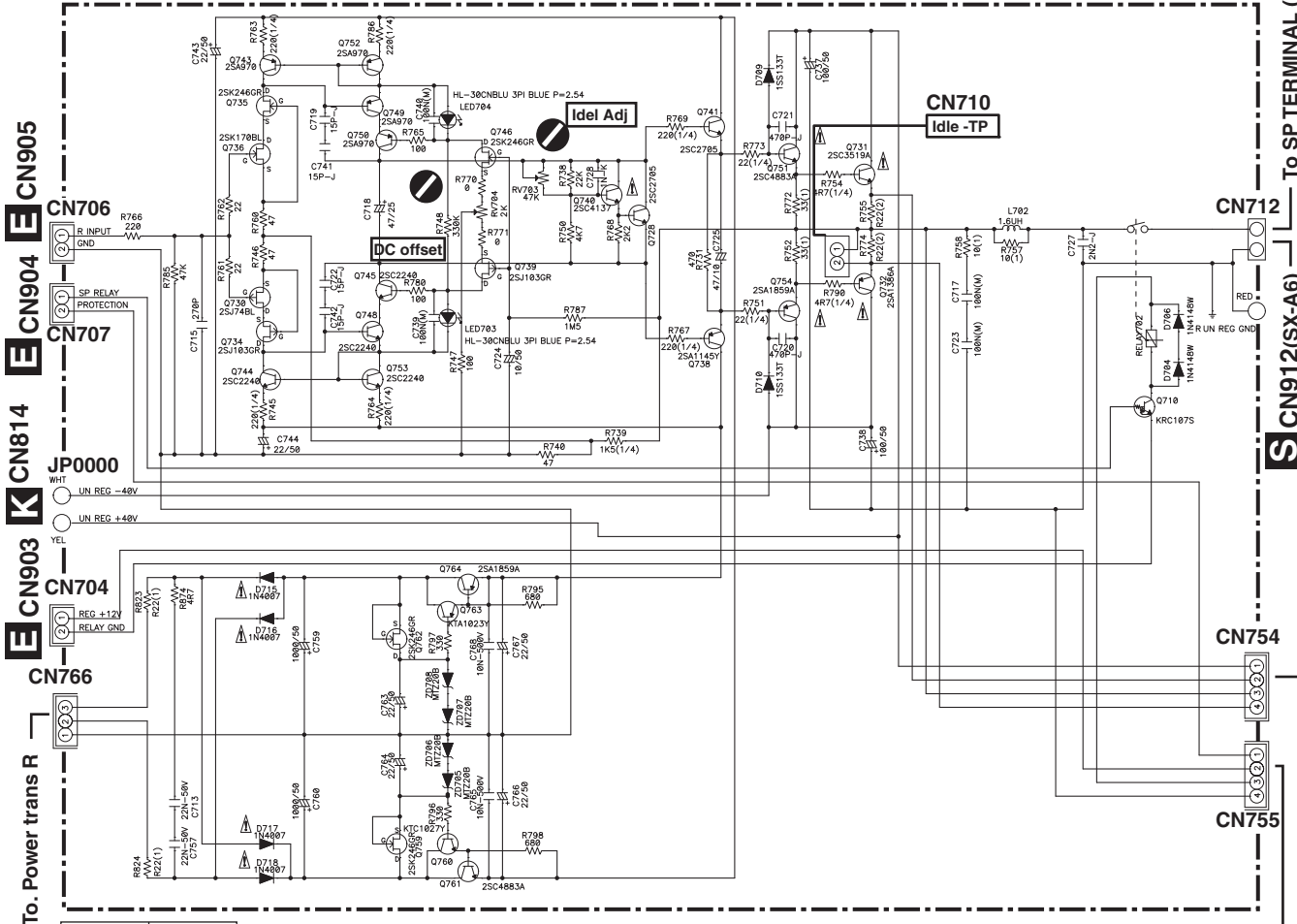


SCHEMATIC DIAGRAM	PCB PARTS LIST
RV701	VR701
RV702	VR702
RELAY701	RY701
ZD701	D9701
ZD702	D9702
ZD703	D9703
ZD704	D9704
LED701	D8701
LED702	D8702
ZD707	D707
ZD708	D708

PROTECTION L-CH ASSY (7028065369010-IL)

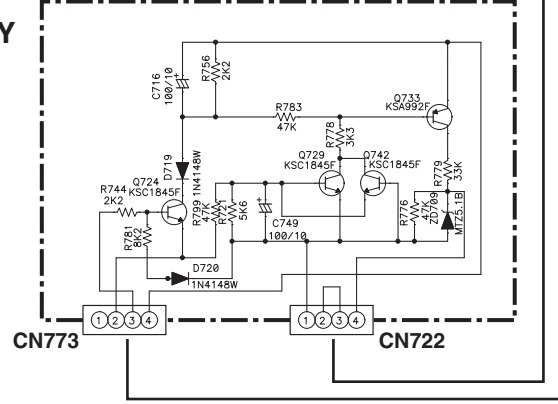


J AMP R CH ASSY
(7028067942010-IL)



SCHEMATIC DIAGRAM	PCB PARTS LIST
RELAY702	RY702
RV703	VR703
RV704	VR704
ZD706	D706
LED703	D703
ZD705	D705
J716	R9716
J718	R9718
J719	R9719
J720	R9720
J721	R9721
J722	R9722
J729	R9729
J730	R9730
J732	R9732
J735	R9735
J739	R9739
J751	R9751
J752	R9752
J754	R9754
J755	R9755
J756	R9756
J757	R9757
J758	R9758
J759	R9759
J760	R9760

Q PROTECTION R-CH ASSY
(7028065369020-IL)

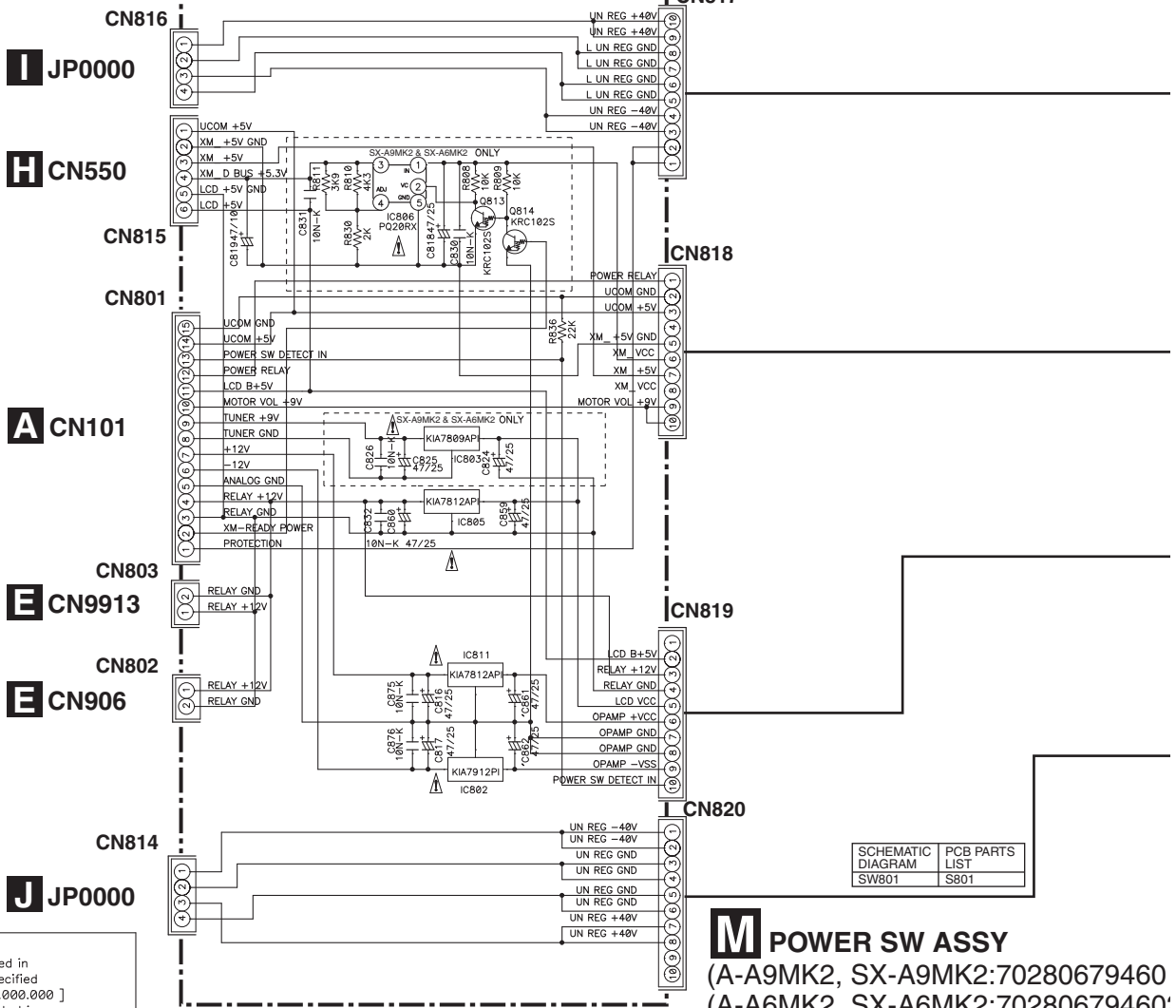


J **Q**

J **Q**

10.5 REG IC, SUB TRANS, POWER SW and MAIN ASSYS

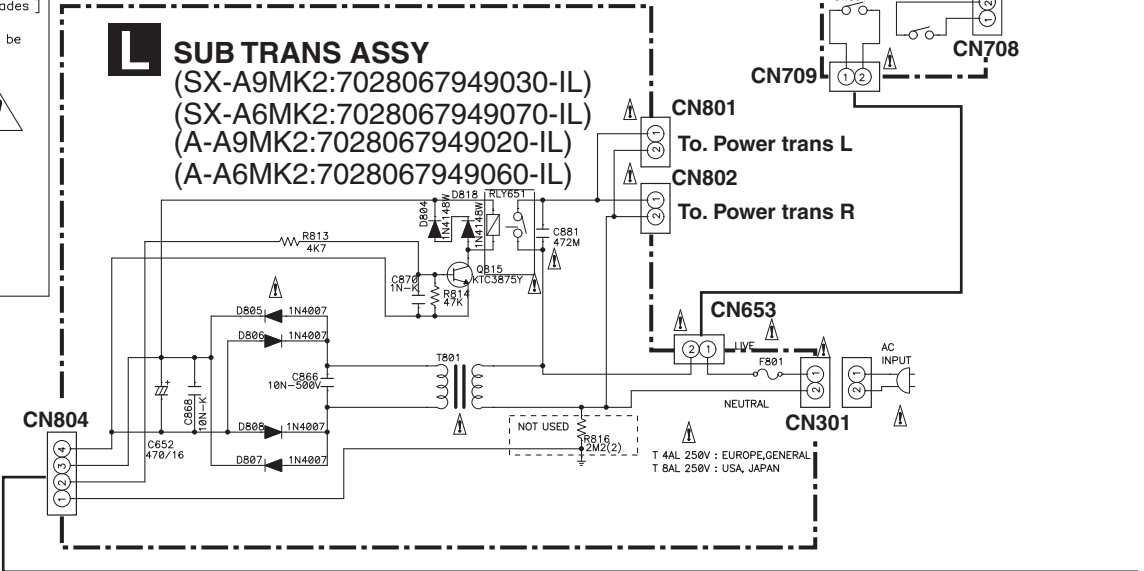
K REG IC ASSY (A-A9MK2, A-A6MK2:7028065473010-IL) (SX-A9MK2, SX-A6MK2:7028065473030-IL)



SCHEMATIC DIAGRAM	PCB PARTS LIST
SW801	S801

M POWER SW ASSY (A-A9MK2, SX-A9MK2:70280679460) (A-A6MK2, SX-A6MK2:70280679460;

L SUB TRANS ASSY (SX-A9MK2:7028067949030-IL) (SX-A6MK2:7028067949070-IL) (A-A9MK2:7028067949020-IL) (A-A6MK2:7028067949060-IL)



SCHEMATIC DIAGRAM	PCB PARTS LIST
RLY651	RY651
*	FU0
*	0000

NOTES

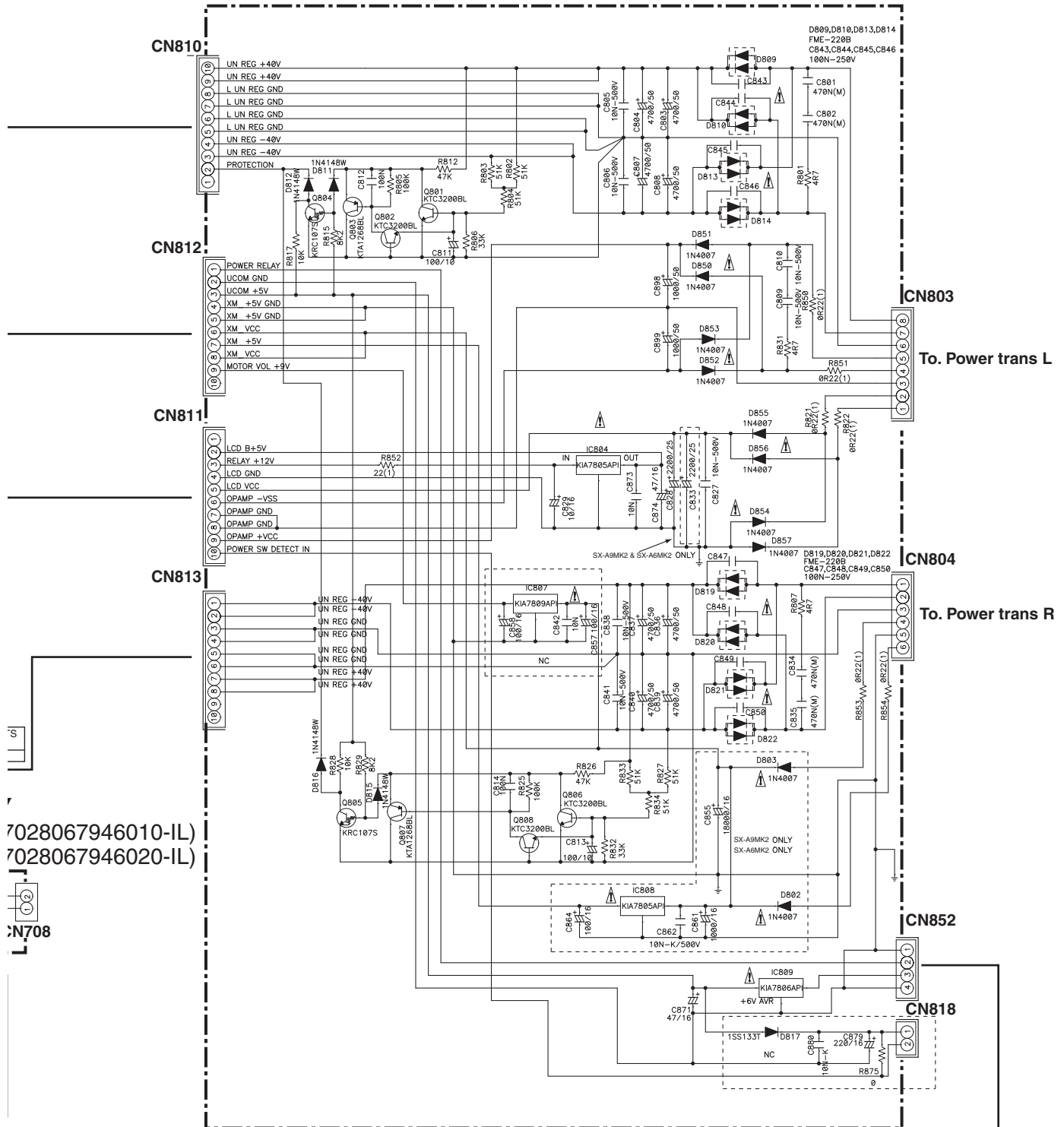
- Resistor values are indicated in ohms unless otherwise specified
[k = 1,000 m = 1,000,000]
- Capacitor values are indicated in microfarads unless otherwise specified.
[p = micro-microfarads]
- These resistor are to be segregated from printed wiring board or other accessible parts.
CAUTION
Safety precaution to be followed during servicing

- Since those parts marked with are critical parts for safety, use only the one described in the parts list
- Before returning the set to the customer make appropriate leakage current or resistance measurements to determine the exposed parts are properly insulated from the supply circuit.

K L M

MAIN ASSY

(SX-A9MK2:7028067943020-IL) (A-A9MK2:7028067943010-IL)
 (SX-A6MK2:7028067943060-IL) (A-A6MK2:7028067943030-IL)



7028067946010-IL)
 7028067946020-IL)

IN708

SCHEMATIC DIAGRAM	PCB PARTS LIST
J811	R811
J812	R9812
J866	R866
J867	R867

• NOTE FOR FUSE REPLACEMENT

CAUTION - FOR CONTINUED PROTECTION AGAINST RISK OF FIRE.
 REPLACE WITH SAME TYPE AND RATINGS OF FUSE.



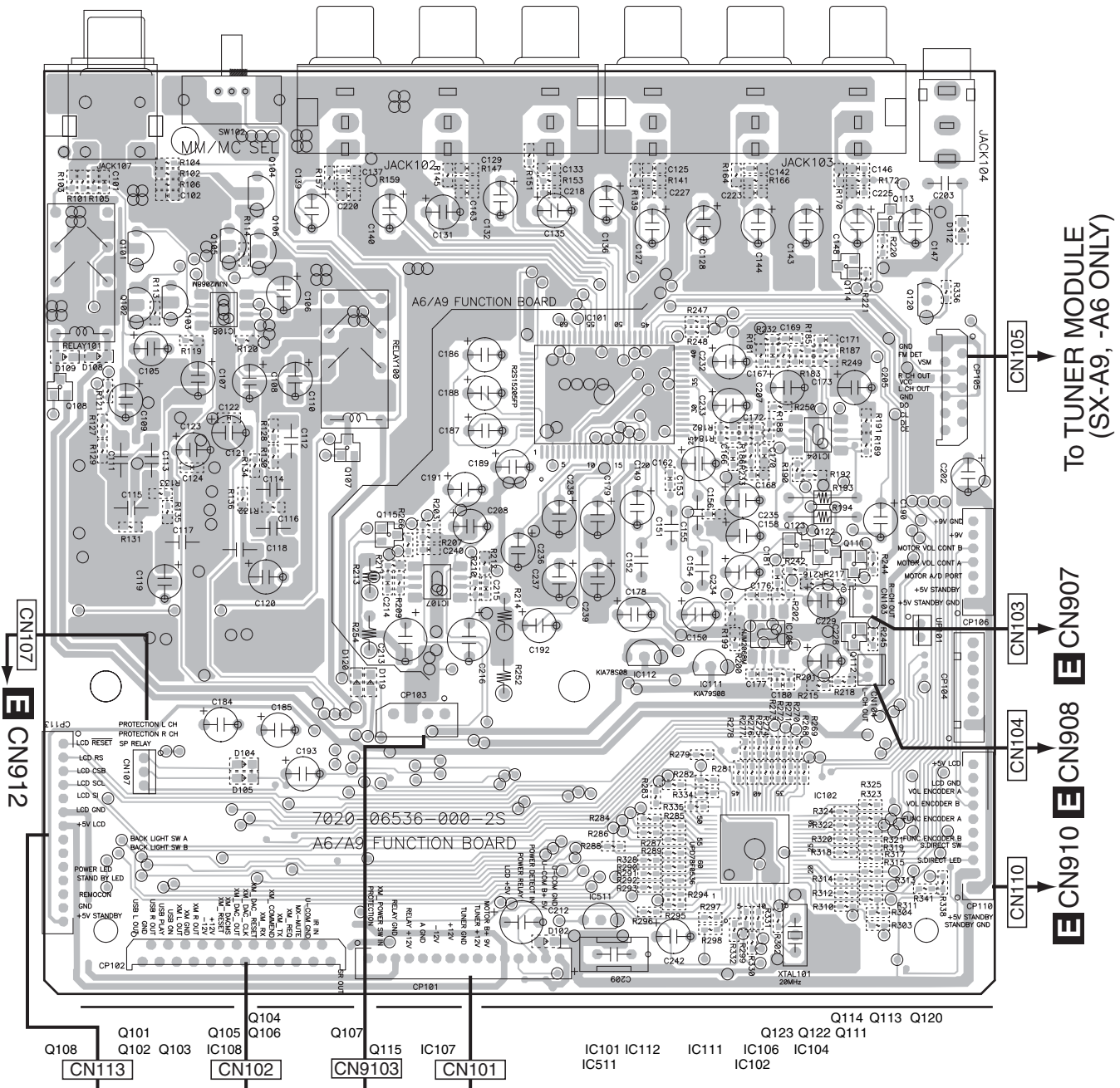
11. PCB CONNECTION DIAGRAM

11.1 FUNCTION and HEADPHONE ASSYS

SIDE A

A FUNCTION ASSY

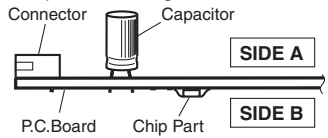
SIDE A



PCB DIAGRAM	PCB PARTS LIST
JACK101	JA101
JACK102	JA102
JACK103	JA103
RELAY100	RY100
RELAY101	RY101
SW102	S102
UP101	J101
XTAL101	X101
ZD101	D9101
ZD102	D9102
R214	C214
R215	C215

NOTE FOR PCB DIAGRAMS :

- The parts mounted on this PCB include all necessary parts for several destinations. For further information for respective destinations, be sure to check with the schematic diagram.
- View point of PCB diagrams.



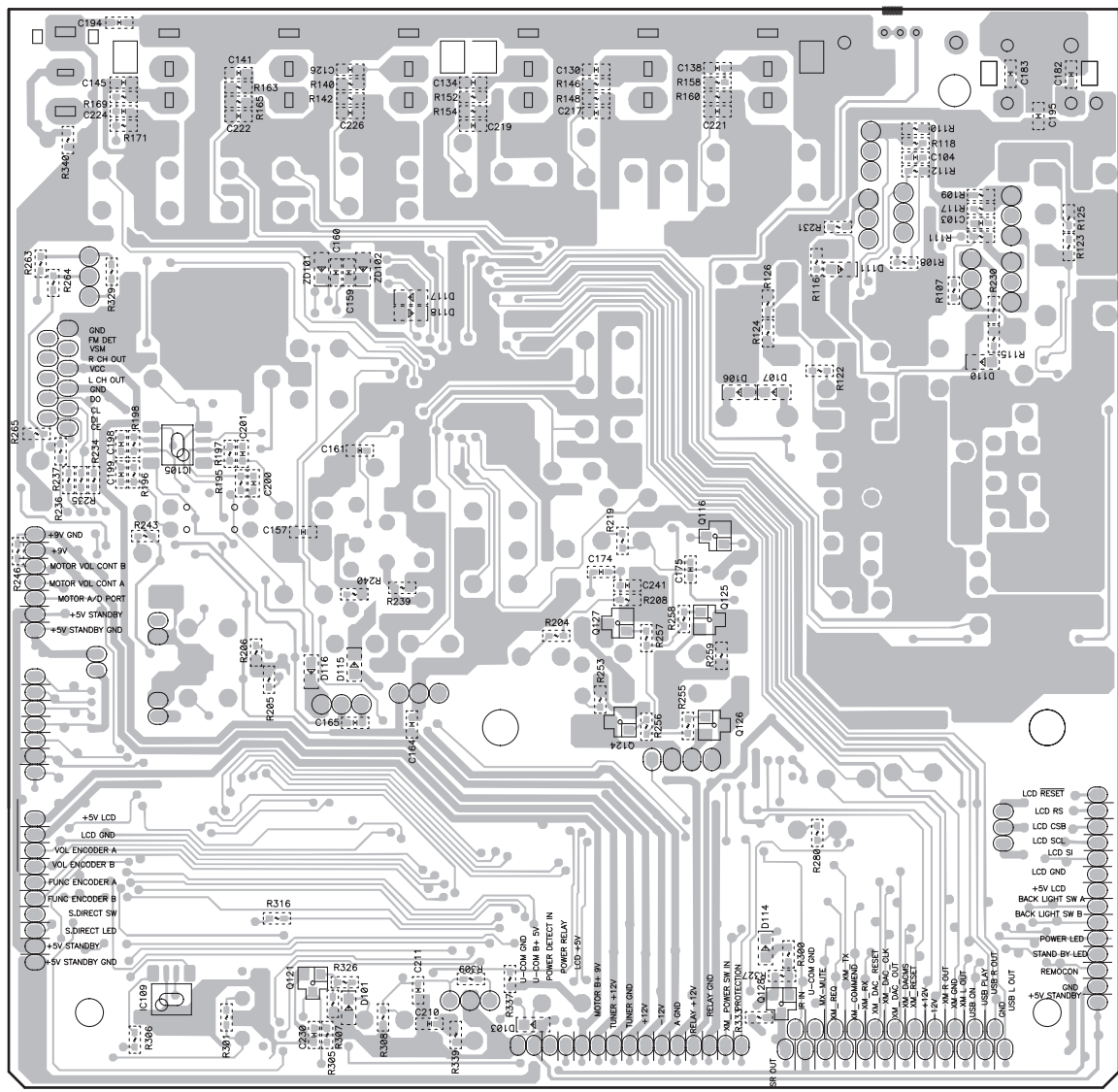
O HEADPHONE ASSY

PCB DIAGRAM	PCB PARTS LIST
JACK601	JA601

SIDE B

SIDE B

A FUNCTION ASSY



CN105

CN103

CN104

CN110

CN107

IC105
IC109

Q121

Q127
Q124

Q116
Q125
Q126

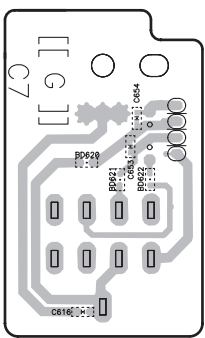
CN9103

CN102

CN113

O HEADPHONE ASSY

PCB DIAGRAM	PCB PARTS LIST
JACK601	JA601



CN651

PCB DIAGRAM	PCB PARTS LIST
JACK101	JA101
JACK102	JA102
JACK103	JA103
RELAY100	RY100
RELAY101	RY101
SW102	S102
UP101	J101
XTAL101	X101
ZD101	D9101
ZD102	D9102
R214	C214
R215	C215

A O

A O

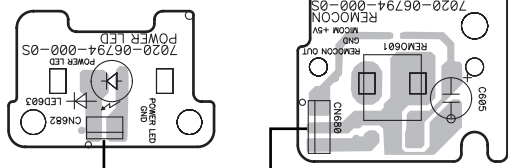
11.2 FRONT, REMOCON, POWER LED and ENCODER SW ASSYS

SIDE A

SIDE A

F POWER LED ASSY

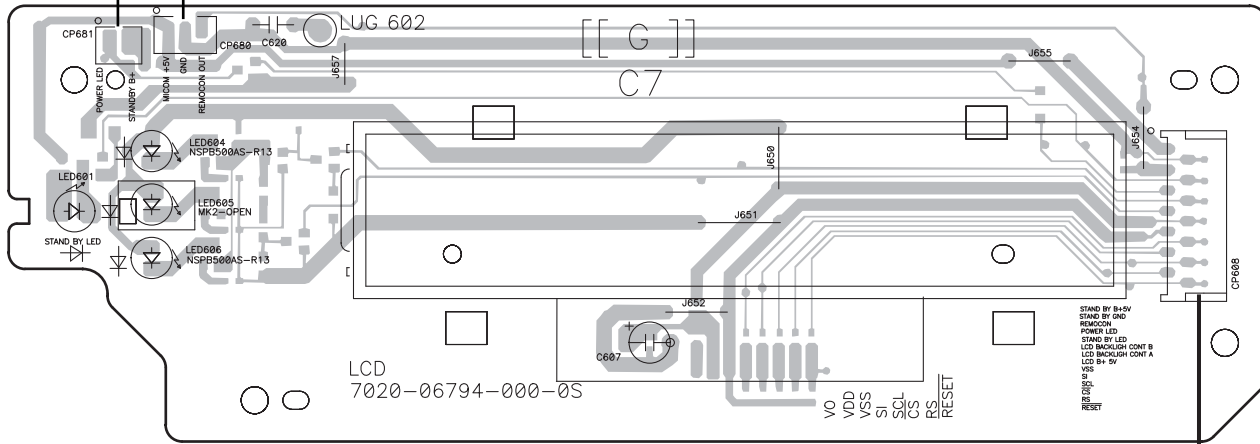
D REMOCON ASSY



PCB DIAGRAM	PCB PARTS LIST
REMO601	601

PCB DIAGRAM	PCB PARTS LIST
LCD601	V601
LED601	D601
LED604	D604
LED605	D605
LED606	D606
J605	R9605
J656	R9656
J658	R9658
J659	R659
J660	R660

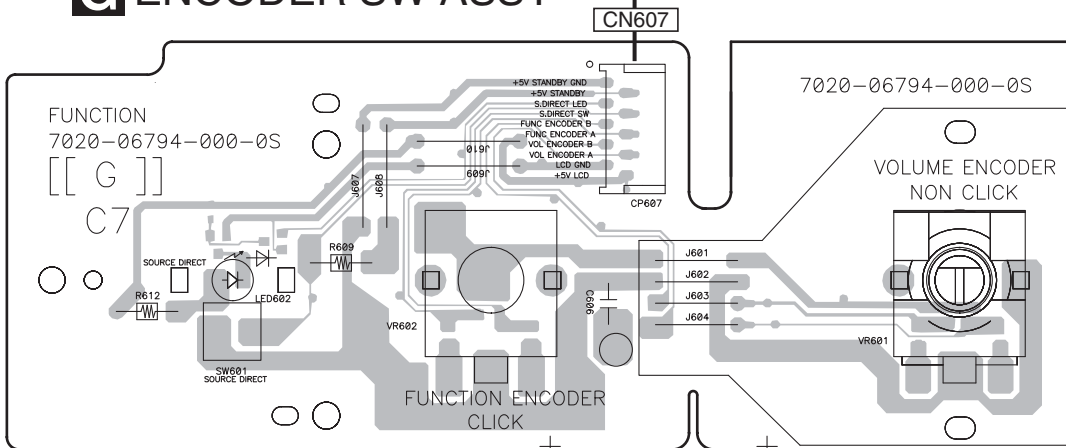
B FRONT ASSY



E CN9914

G ENCODER SW ASSY

E CN9915



PCB DIAGRAM	PCB PARTS LIST
LED602	D602
SW601	S601
VR602	S602

B D F G

B D F G

SIDE B

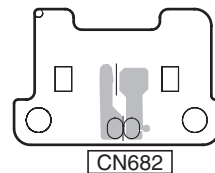
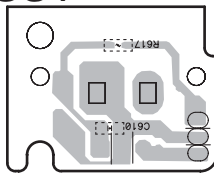
SIDE B

PCB DIAGRAM	PCB PARTS LIST
LCD601	V601
LED601	D601
LED604	D604
LED605	D605
LED606	D606
J605	R9605
J656	R9656
J658	R9658
J659	R659
J660	R660

PCB DIAGRAM	PCB PARTS LIST
LED603	D603

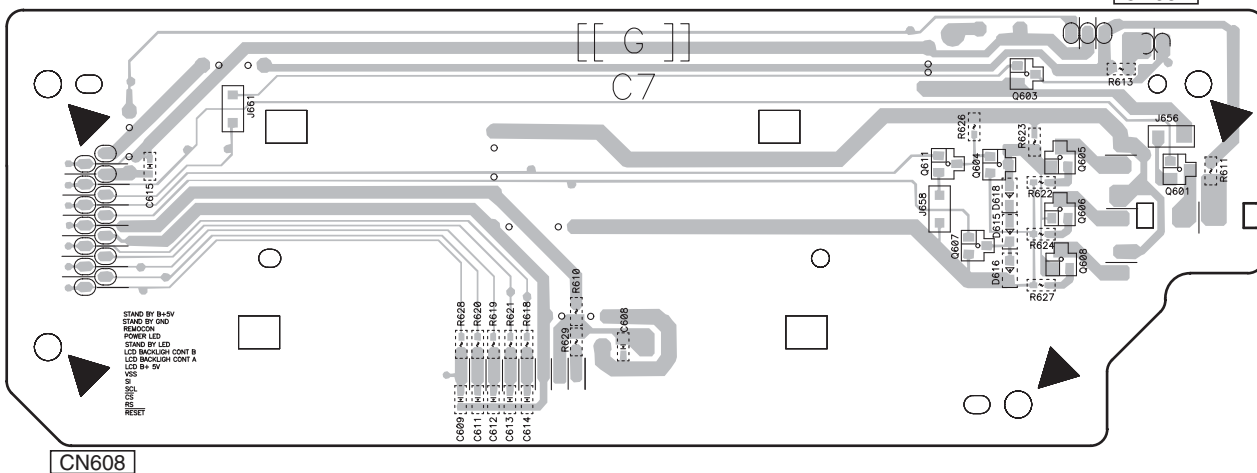
D REMOCON ASSY

F POWER LED ASSY



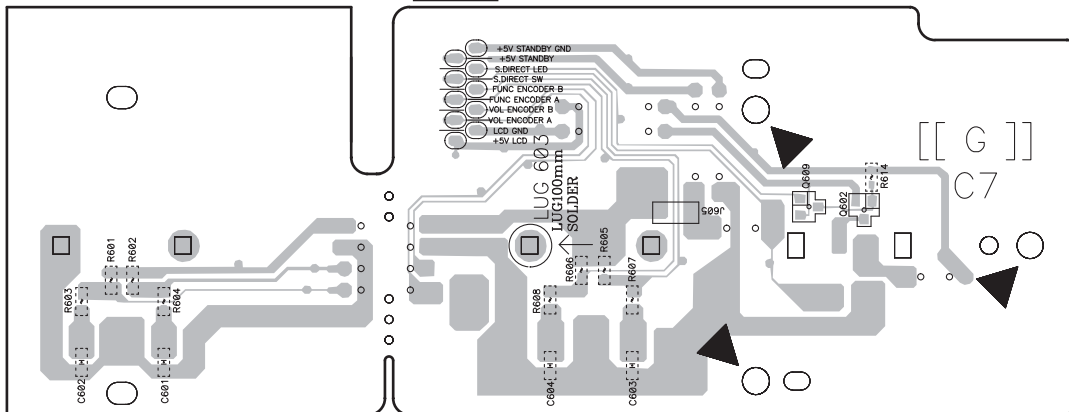
B FRONT ASSY

PCB DIAGRAM	PCB PARTS LIST
REMO601	601



G ENCODER SW ASSY

CN607



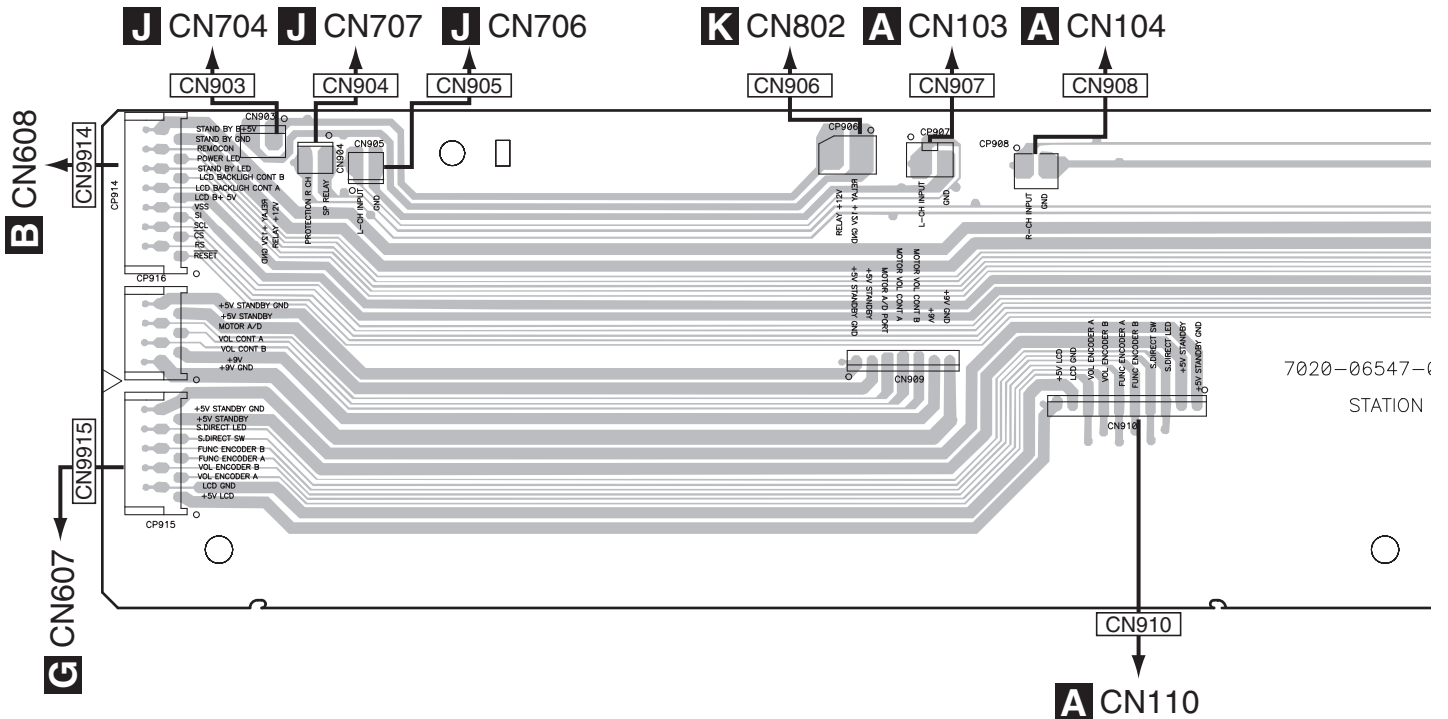
PCB DIAGRAM	PCB PARTS LIST
LED602	D602
SW601	S601
VR602	S602

B D F G

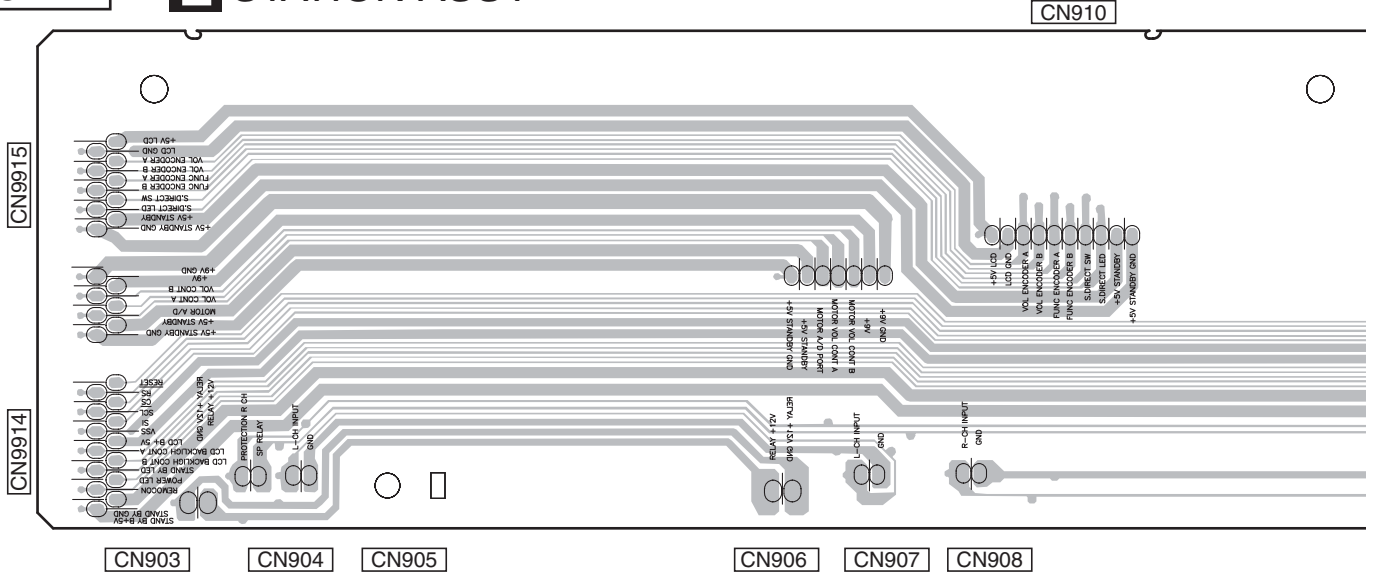
B D F G

11.3 STATION ASSY

SIDE A E STATION ASSY



SIDE B E STATION ASSY



SIDE A

A CN107

K CN803

I CN703

I CN702

I CN705

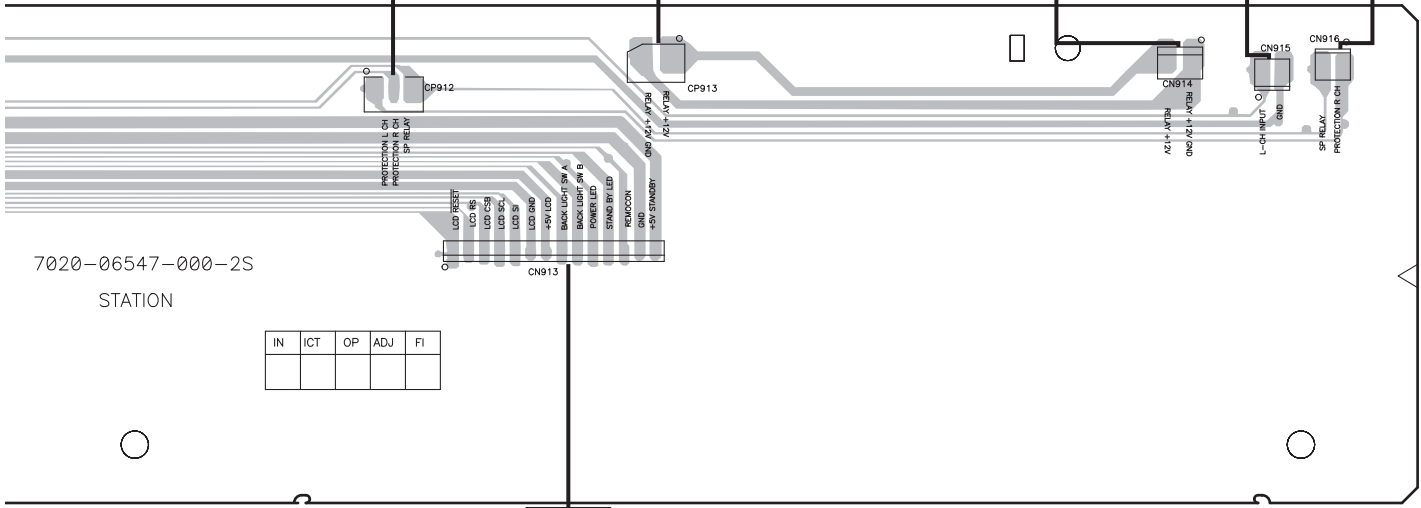
CN912

CN913

CN914

CN915

CN916



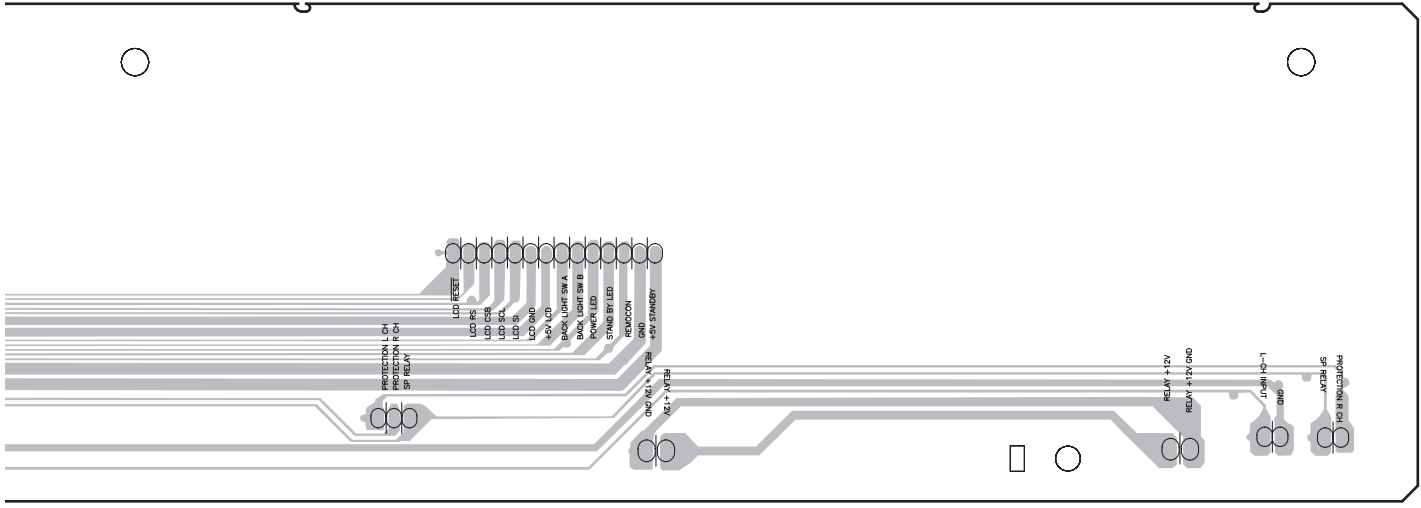
7020-06547-000-2S
STATION

IN	ICT	OP	ADJ	FI

CN913

A CN113

SIDE B



CN912

CN913

CN914

CN914

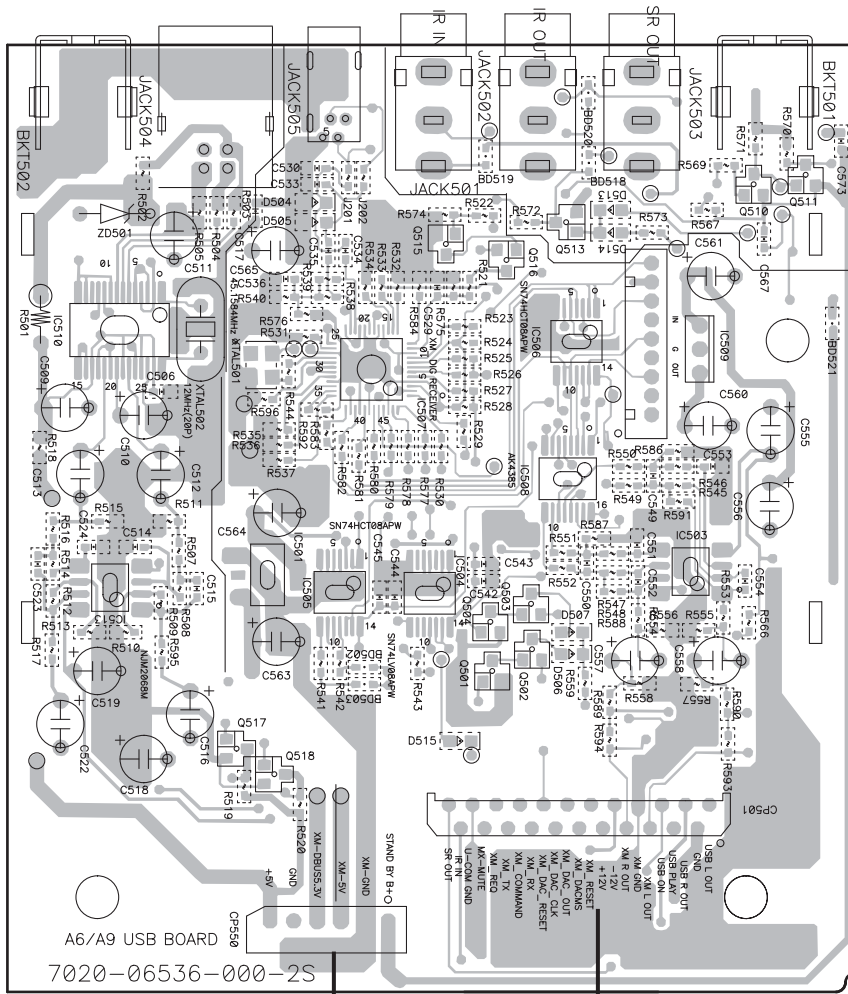
CN916

11.4 XM-READY ASSY

SIDE A

SIDE A

XM READY ASSY



- Q510
- Q511
- Q513
- Q515
- Q516
- IC510
- IC507
- IC506
- IC509
- IC508
- IC503
- IC501
- IC513
- IC505
- IC504
- Q503
- Q504
- Q502
- Q501
- Q517
- Q518

CN550

CN501

K CN815

A CN102

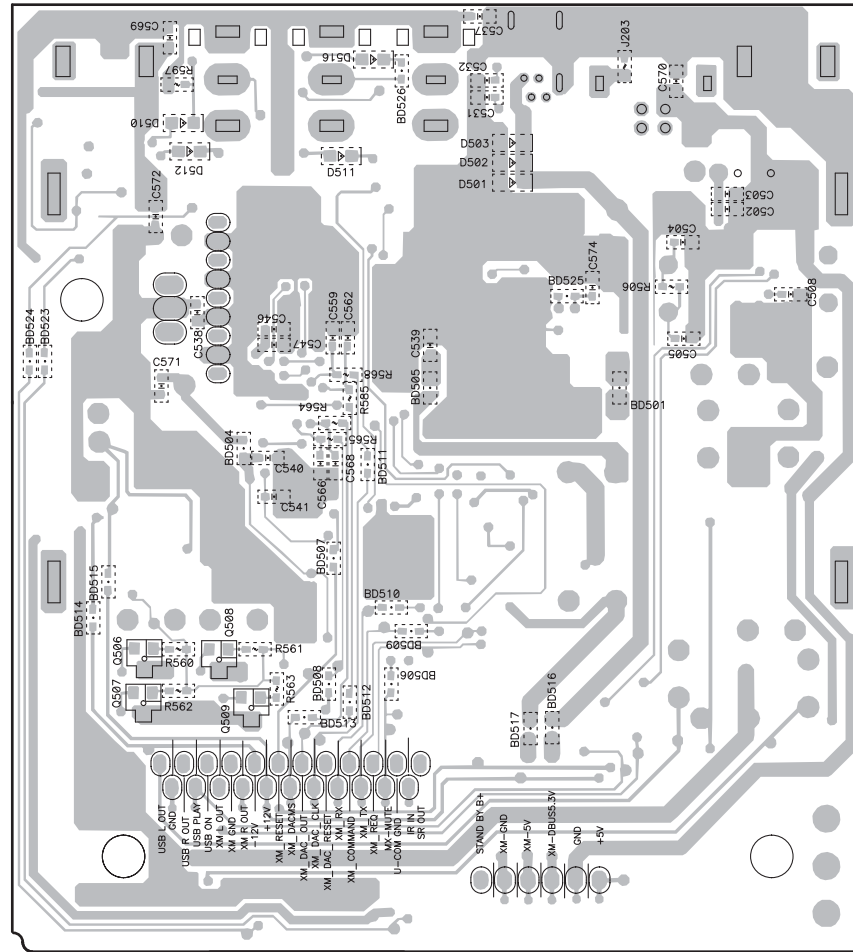
PCB DIAGRAM	PCB PARTS LIST
BKT501	501
BKT502	502
JACK503	JA503
JACK504	JA504
XTAL502	X502
ZD501	D501
GND502	502
GND503	503



SIDE B

SIDE B

H XM READY ASSY



CN501

CN550

PCB DIAGRAM	PCB PARTS LIST
BKT501	501
BKT502	502
JACK503	JA503
JACK504	JA504
XTAL502	X502
ZD501	D501
GND502	502
GND503	503



11.5 AMP LCH, PROTECTION L-CH and SPEAKER L-CH ASSY

SIDE A

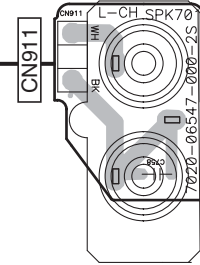
SIDE A

PCB DIAGRAM	PCB PARTS LIST
RV701	VR701
RV702	VR702
RELAY701	RY701
ZD701	D9701
ZD702	D9702
ZD703	D9703
ZD704	D9704
LED701	D8701
LED702	D8702
ZD707	D707
ZD708	D708

I AMP LCH ASSY

R SPEAKER L-CH ASSY

SX-A6 only

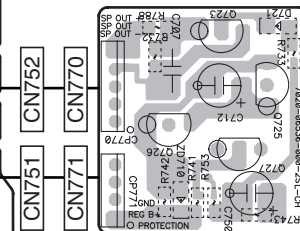


SX-A9 only

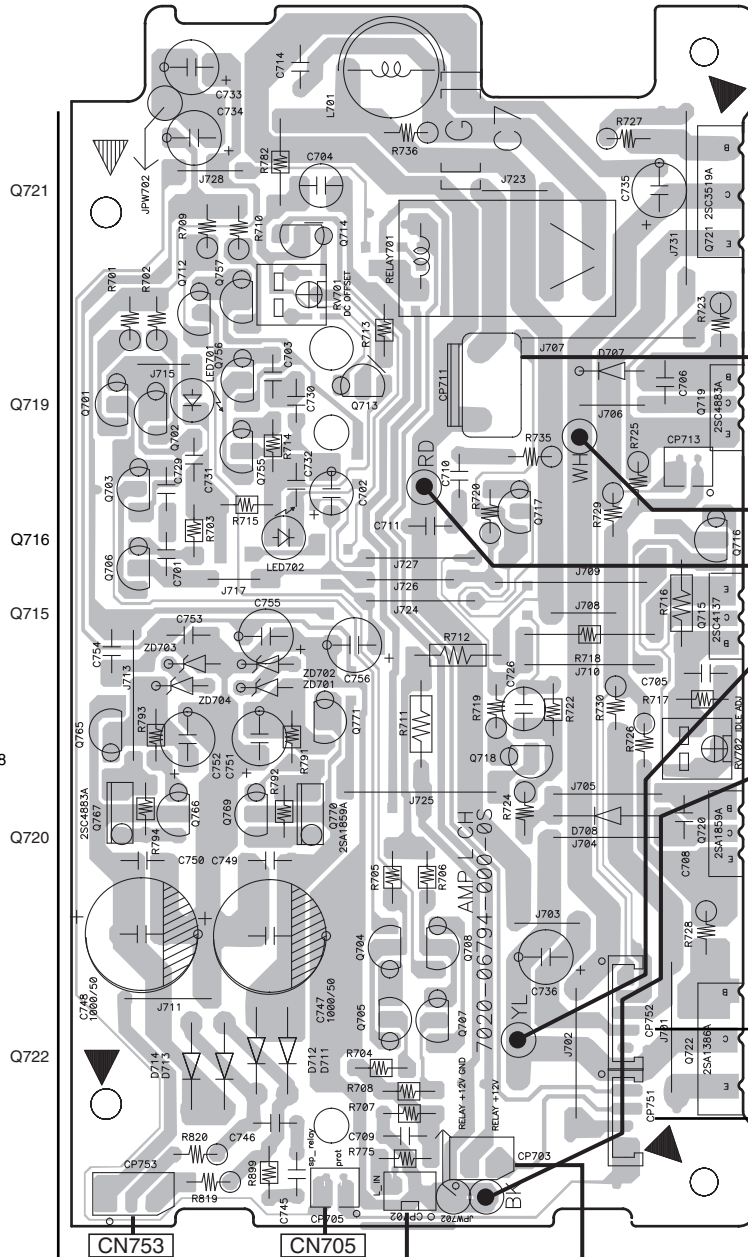
To.
Speaker terminal
L OUT

K CN816

P PROTECTION L-CH ASSY



A
B
C
D
E
F



To. Power trans L

E CN916

E CN915

E CN914

I P R

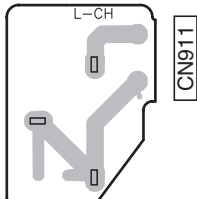
I P R

SIDE B

SIDE B

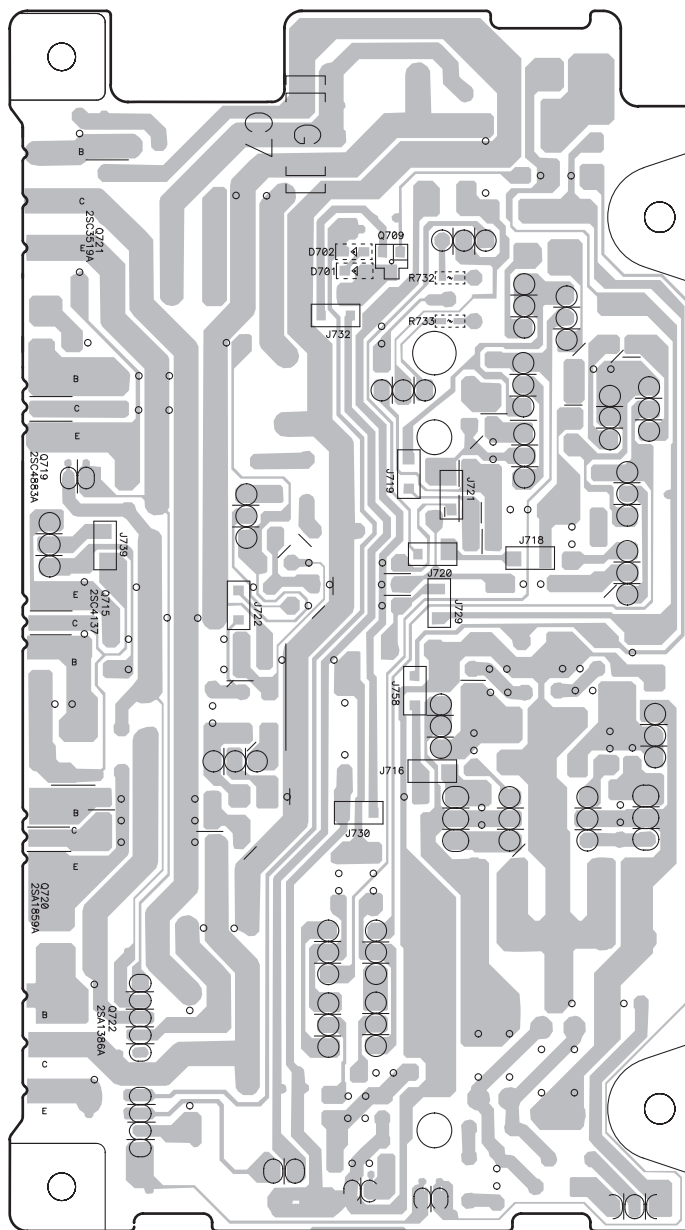
R SPEAKER L-CH ASSY

SX-A6 only

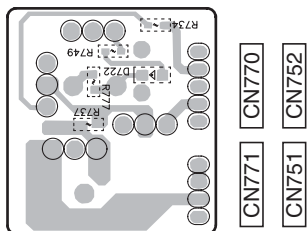


I AMP LCH ASSY

PCB DIAGRAM	PCB PARTS LIST
RV701	VR701
RV702	VR702
RELAY701	RY701
ZD701	D9701
ZD702	D9702
ZD703	D9703
ZD704	D9704
LED701	D8701
LED702	D8702
ZD707	D707
ZD708	D708



P PROTECTION L-CH ASSY



11.6 AMP RCH, PROTECTION R-CH and SPEAKER R-CH ASSY

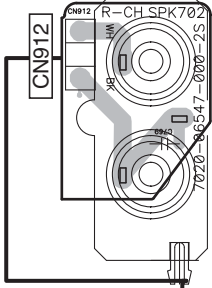
SIDE A

SIDE A

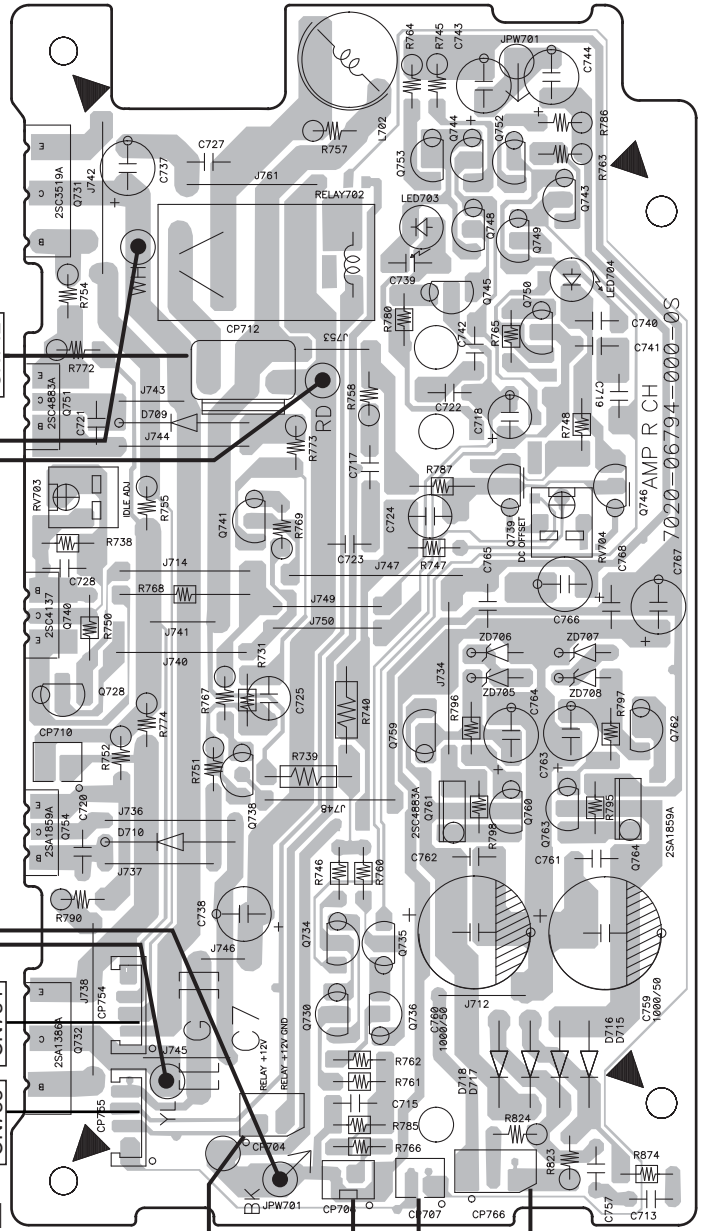
PCB DIAGRAM	PCB PARTS LIST
RELAY702	RY702
RV703	VR703
RV704	VR704
ZD706	D706
LED703	D703
ZD705	D705
J716	R9716
J718	R9718
J719	R9719
J720	R9720
J721	R9721
J722	R9722
J729	R9729
J730	R9730
J732	R9732
J735	R9735
J739	R9739
J751	R9751
J752	R9752
J754	R9754
J755	R9755
J756	R9756
J757	R9757
J758	R9758
J759	R9759
J760	R9760

S SPEAKER R-CH ASSY

SX-A6 only



J AMP RCH ASSY

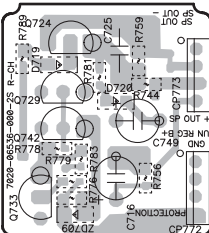


SX-A9 only

To Speaker terminal R OUT

K CN814

Q PROTECTION R-CH ASSY



E CN903 **E** CN904 To. Power trans R
E CN905

- Q731
- Q732
- Q733
- Q734
- Q735
- Q736
- Q737
- Q738
- Q739
- Q740
- Q741
- Q742
- Q743
- Q744
- Q745
- Q746
- Q747
- Q748
- Q749
- Q750
- Q751
- Q752
- Q753
- Q754
- Q755
- Q756
- Q757
- Q758
- Q759
- Q760
- Q761
- Q762
- Q763
- Q764
- Q765
- Q766
- Q767
- Q768
- Q769
- Q770
- Q771
- Q772
- Q773
- Q774
- Q775
- Q776
- Q777
- Q778
- Q779
- Q780
- Q781
- Q782
- Q783
- Q784
- Q785
- Q786
- Q787
- Q788
- Q789
- Q790
- Q791
- Q792
- Q793
- Q794
- Q795
- Q796
- Q797
- Q798
- Q799
- Q800

J **Q** **S**

J **Q** **S**

SIDE B

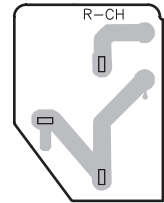
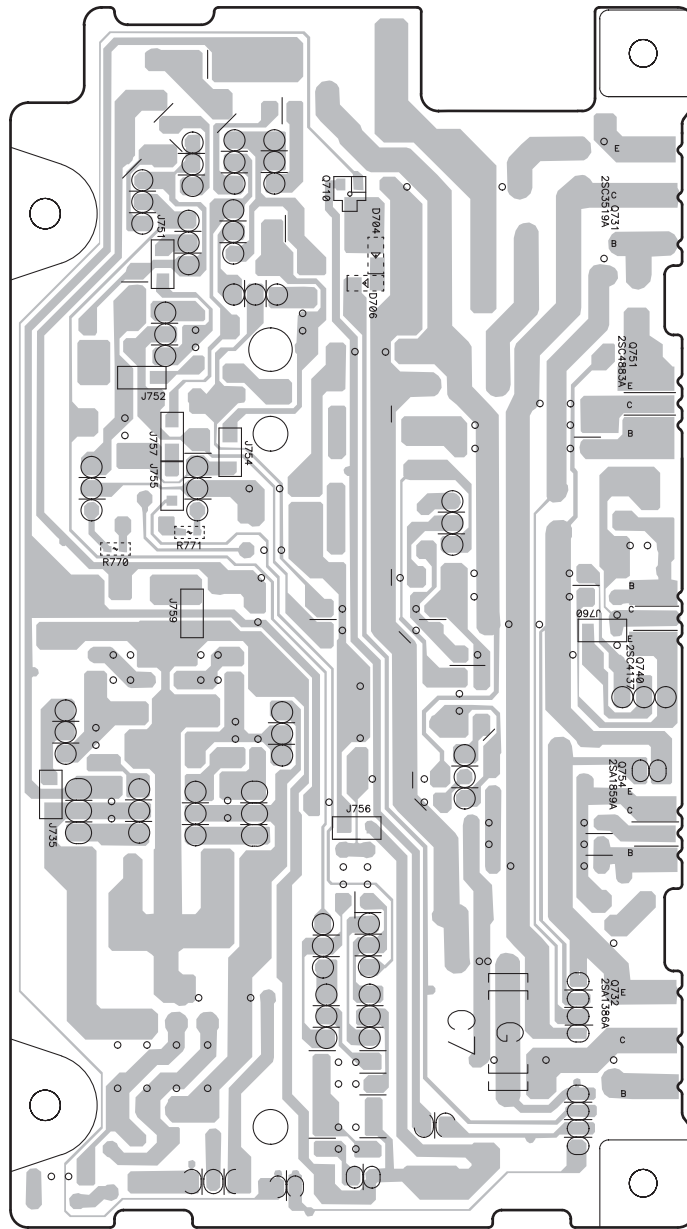
SIDE B

A

S SPEAKER R-CH ASSY

SX-A6 only

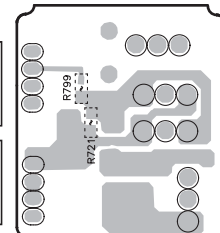
J AMP RCH ASSY



CN912

PCB DIAGRAM	PCB PARTS LIST
RELAY702	RY702
RV703	VR703
RV704	VR704
ZD706	D706
LED703	D703
ZD705	D705
J716	R9716
J718	R9718
J719	R9719
J720	R9720
J721	R9721
J722	R9722
J729	R9729
J730	R9730
J732	R9732
J735	R9735
J739	R9739
J751	R9751
J752	R9752
J754	R9754
J755	R9755
J756	R9756
J757	R9757
J758	R9758
J759	R9759
J760	R9760

Q PROTECTION R-CH ASSY



CN754

CN755

CN772

CN773

CN766

CN707

CN704

CN706

J Q S

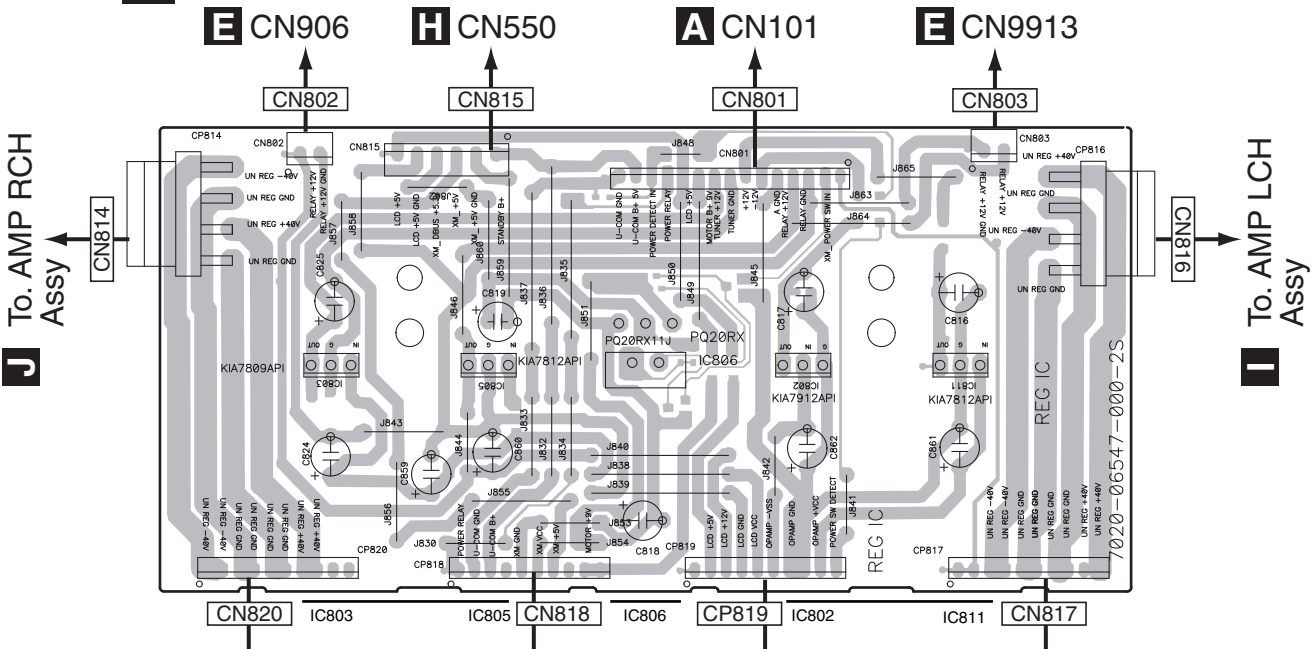
J Q S

F

11.7 REG IC and MAIN ASSYS

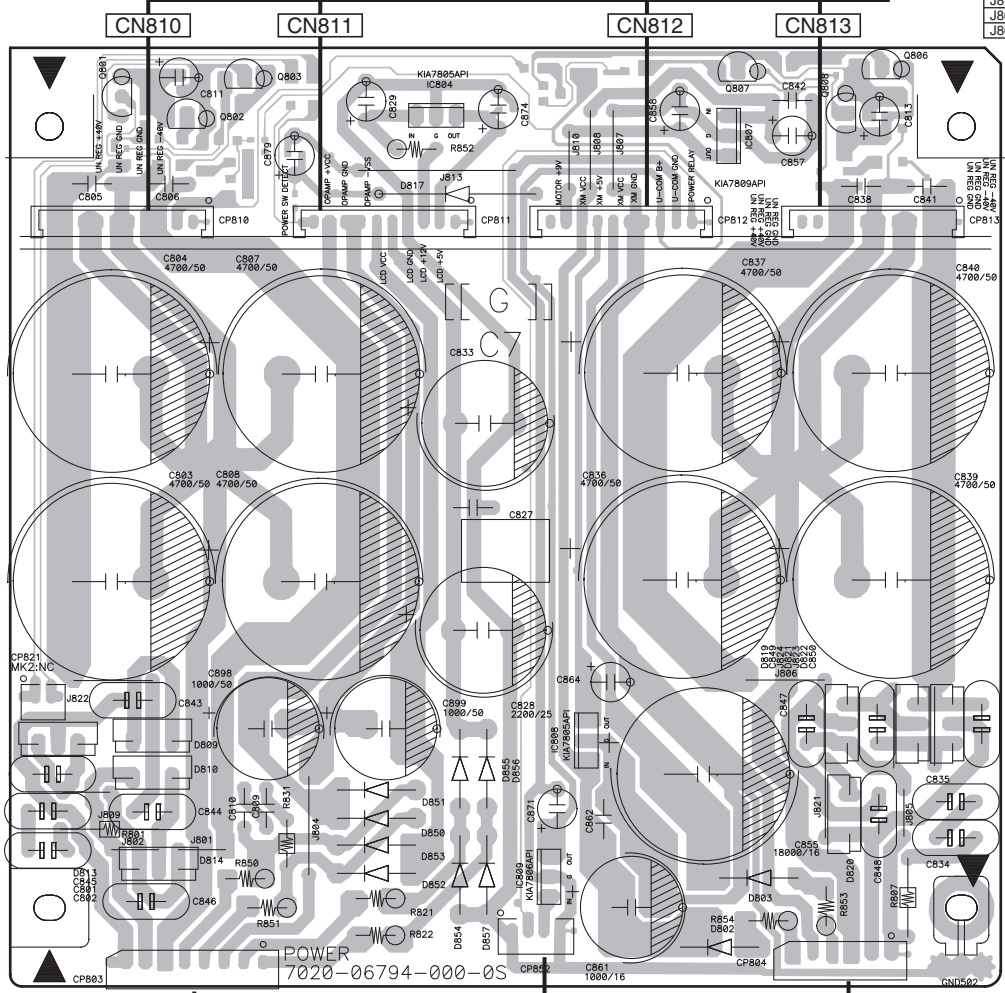
SIDE A **K** REG IC ASSY

SIDE A



N MAIN ASSY

PCB DIAGRAM	PCB PARTS LIST
J811	R811
J812	R812
J866	R866
J867	R867



Q803 Q807 Q806
Q801 Q802 IC804 Q808
IC807

IC808
IC809

K **N** To. Power trans L

L CN804

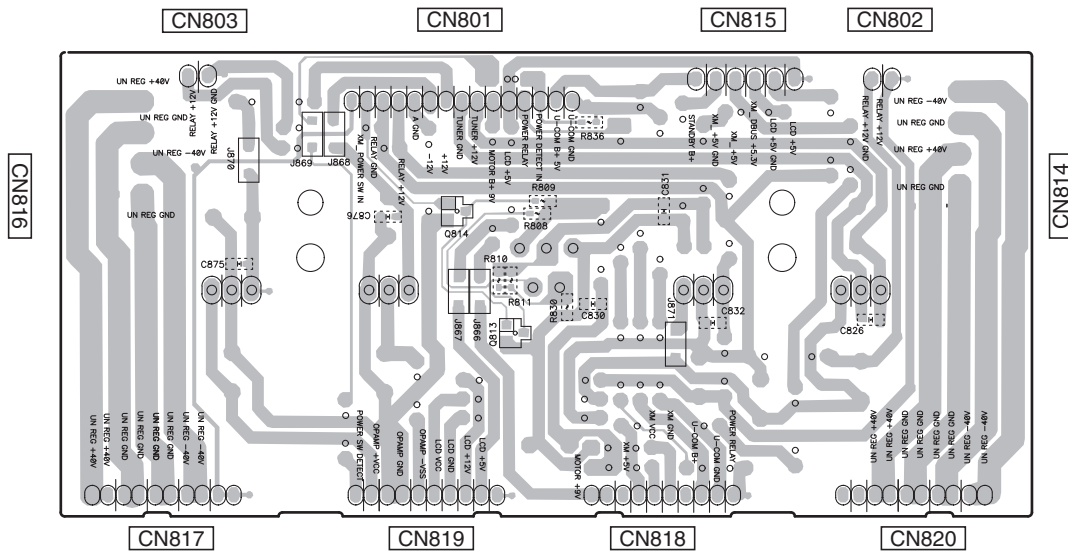
To. Power trans R **K** **N**

A-A9MK2-K

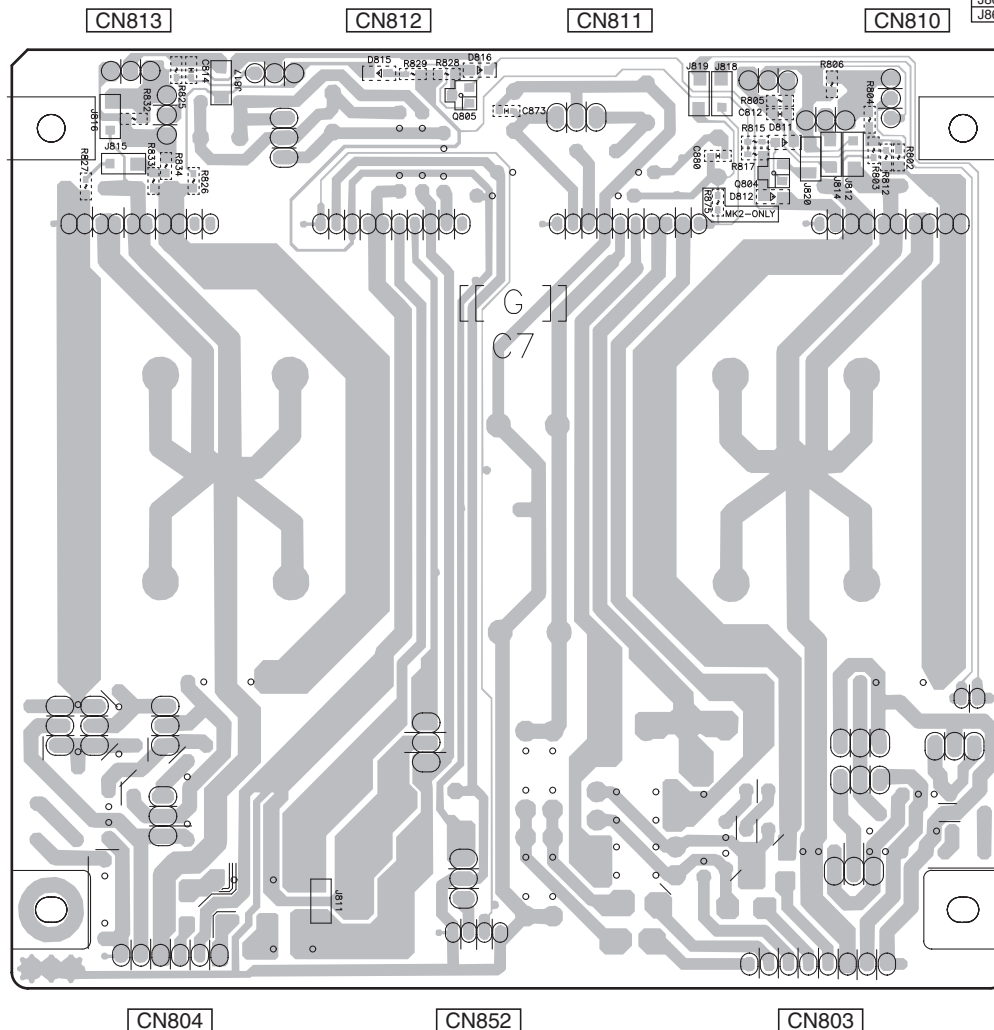
SIDE B

SIDE B

K REG IC ASSY



N MAIN ASSY



PCB DIAGRAM	PCB PARTS LIST
J811	R811
J812	R812
J866	R866
J867	R867

K N

K N

A-A9MK2-K

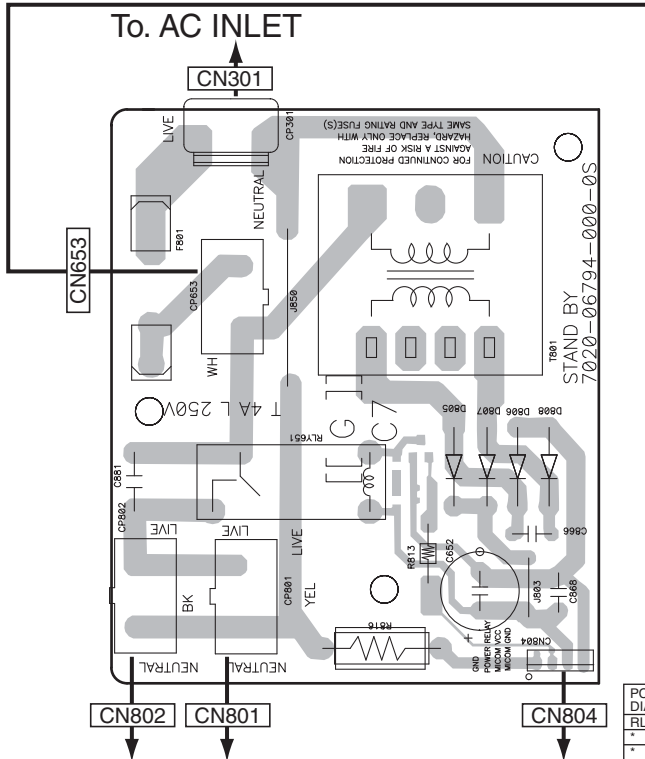
11.8 SUB TRANS and POWER SW ASSYS

SIDE A

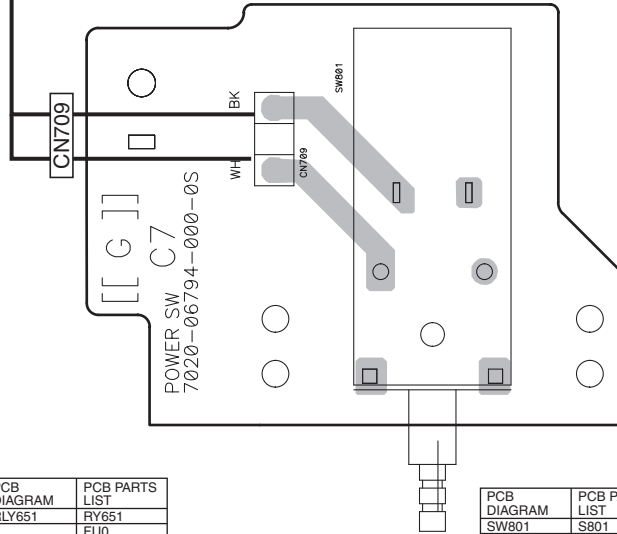
SIDE A

L SUB TRANS ASSY

M POWER SW ASSY



PCB DIAGRAM	PCB PARTS LIST
RLY651	RY651
*	FLU
*	0000



PCB DIAGRAM	PCB PARTS LIST
SW801	S801

To. Power trans R
To. Power trans L

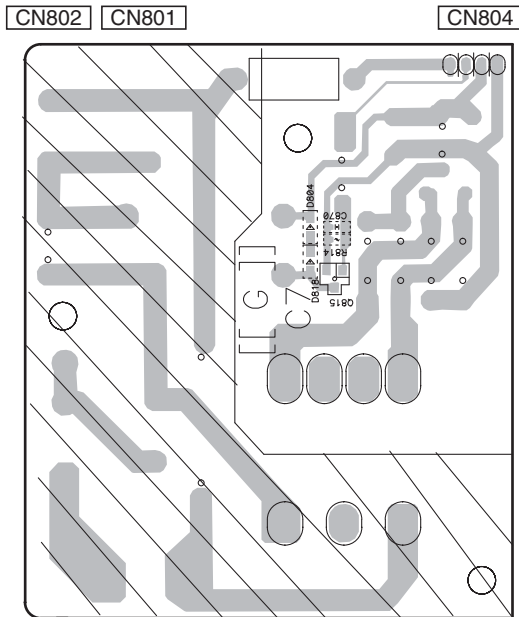
N CN852

SIDE B

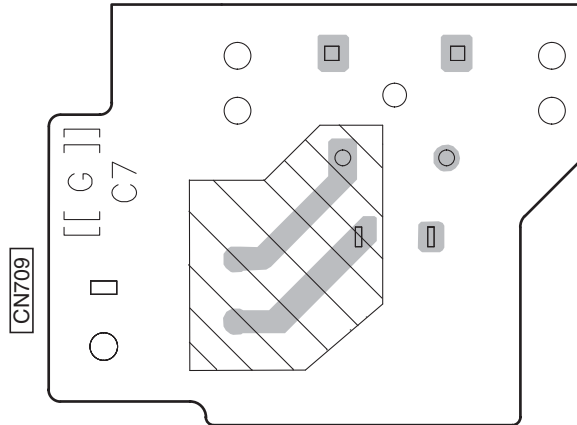
SIDE B

L SUB TRANS ASSY

M POWER SW ASSY



PCB DIAGRAM	PCB PARTS LIST
RLY651	RY651
*	FLU
*	0000



PCB DIAGRAM	PCB PARTS LIST
SW801	S801

L M

L M

12. PCB PARTS LIST

NOTES: ● Parts marked by "NSP" are generally unavailable because they are not in our Master Spare Parts List.

● The Δ mark found on some component parts indicates the importance of the safety factor of the part. Therefore, when replacing, be sure to use parts of identical designation.

● When ordering resistors, first convert resistance values into code form as shown in the following examples.

Ex.1 When there are 2 effective digits (any digit apart from 0), such as 560 ohm and 47 k ohm (tolerance is shown by J = 5%, and K = 10%).

560 Ω → 56 × 10¹ → 561 RD1/APU 5 6 7 J

47 k Ω → 47 × 10³ → 473 RD1/APU 4 7 3 J

0.5 Ω → R50 RN2H R 5 0 K

1 Ω → 1R0 RSIP 7 R 0 K

Ex.2 When there are 3 effective digits (such as in high precision metal film resistors).

5.62 k Ω → 562 × 10¹ → 5621 RN1/4PC 5 6 2 7 F

● Meaning of the figures and others in the parentheses in the parts list.

Example) IC 301 is on the point (face A, 91 of x-axis, and 111 of y-axis) of the corresponding PC board.

IC 301 (A, 91, 111) IC NJM2068V

LIST OF ASSEMBLIES

Mark	Symbol and Description	A-A9MK2-K/SYXCN5	SX-A9MK2-K/CUXCN	A-A6MK2-K/SYXCN5	SX-A6MK2-K/CUXCN
NSP	1..POWER ASSY	7025HA0902032-IL	7025HA0902033-IL	7025HA0903033-IL	7025HA0903034-IL
	2.AMP LCH ASSY	7028067941010-IL	7028067941010-IL	7028067941010-IL	7028067941010-IL
	2.AMP RCH ASSY	7028067942010-IL	7028067942010-IL	7028067942010-IL	7028067942010-IL
	2.MAIN ASSY	7028067943010-IL	7028067943020-IL	7028067943030-IL	7028067943060-IL
	2.FRONT ASSY	7028067944010-IL	7028067944010-IL	7028067944020-IL	7028067944020-IL
	2.REMOCON ASSY	7028067945010-IL	7028067945010-IL	7028067945020-IL	7028067945020-IL
	2.POWER SW ASSY	7028067946010-IL	7028067946010-IL	7028067946020-IL	7028067946020-IL
	2.POWER LED ASSY	7028067947010-IL	7028067947010-IL	7028067947020-IL	7028067947020-IL
	2.ENCODER SW ASSY	7028067948010-IL	7028067948010-IL	7028067948010-IL	7028067948010-IL
	2.SUB TRANS ASSY	7028067949020-IL	7028067949030-IL	7028067949060-IL	7028067949070-IL
2.HEADPHONE ASSY	7028067948060-IL	7028067948060-IL	7028067948060-IL	7028067948060-IL	
NSP	1..FUNCTION ASSY	7025HA0902011-IL	7025HA0902012-IL	7025HA0903013-IL	7025HA0903014-IL
	2.FUNCTION ASSY	7028065367010-IL	7028065367020-IL	7028065367030-IL	7028065367040-IL
	2.XM-READY ASSY	7028065368010-IL	7028065368020-IL	7028065368030-IL	7028065368040-IL
	2.PROTECTION L-CH ASSY	7028065369010-IL	7028065369010-IL	7028065369010-IL	7028065369010-IL
	2.PROTECTION R-CH ASSY	7028065369020-IL	7028065369020-IL	7028065369020-IL	7028065369020-IL
NSP	1..STATION ASSY	7025HA0902021-IL	7025HA0902022-IL	7025HA0903021-IL	7025HA0903022-IL
	2.STATION ASSY	7028065472010-IL	7028065472010-IL	7028065472020-IL	7028065472020-IL
	2.REG IC ASSY	7028065473010-IL	7028065473030-IL	7028065473010-IL	7028065473030-IL
	2.SPEAKER L-CH ASSY	Not used	Not used	7028065474010-IL	7028065474010-IL
	2.SPEAKER R-CH ASSY	Not used	Not used	7028065474020-IL	7028065474020-IL
	1..FM/AM TUNRT UNIT	Not used	AXX7172	Not used	AXX7172

CONTRAST OF PCB ASSEMBLIES

B FRONT ASSY

Although 7028067944010-IL and 7028067944020-IL are different in part number, they have the same service parts.

D REMOCON ASSY

Although 7028067945010-IL and 7028067945020-IL are different in part number, they have the same service parts.

E STATION ASSY

Although 7028065472010-IL and 7028065472020-IL are different in part number, they have the same service parts.

F POWER LED ASSY

Although 7028067947010-IL and 7028067947020-IL are different in part number, they have the same service parts.

L SUB TRANS ASSY

Although 7028067949020-IL and 7028067949060-IL are different in part number, they have the same service parts.

A Although 7028067949030-IL and 7028067949070-IL are different in part number, they have the same service parts.

M POWER SW ASSY

Although 7028067946010-IL and 7028067946020-IL are different in part number, they have the same service parts.

PCB PARTS LIST FOR A-A9MK2-K/SYXCN5 UNLESS OTHER WISE NOTED

Mark	No.	Description	Part No.	Mark	No.	Description	Part No.
------	-----	-------------	----------	------	-----	-------------	----------

A FUNCTION ASSY (A-A9MK2-K/SYXCN5)

B SEMICONDUCTORS

	IC 101	R2S15205FP
	IC 102	J020780536000-IL
	IC 104-108	NJM2068M
	IC 109	J000240640010-IL
⚠	IC 111	J126790800090-IL

⚠	IC 112	J126780800190-IL
	IC 511	J125704200010-IL
	Q 101,102,104,105	J5410369G0010-IL
	Q 103,106	J5021845F0000-IL
	Q 107,108,116,123	J522107S00210-IL

C	Q 111-114,124-127	J5222875B0010-IL
	Q 115	J520010200210-IL
	Q 121	J522038750210-IL
	Q 122	J520010100010-IL
	Q 128	J520015040150-IL

	D 101-111,114-120	K005041480020-IL
	D 9101,9102	UDZS5R1(B)

MISCELLANEOUS

J	101 PIN JUMPER	L424000040000-IL
J	9100 CN,WIRE	L000121010100-IL
J	9101 CN,WIRE	L000600010010-IL
D	JA 102,103 TER,RCA 6PIN	G603617AG04GY-IL
	JA 107 TER,RCA 2PIN	G601207AEGG02-IL

	RY 100,101 RELAY	G680240202030-IL
S	102 SW,SLIDE	G060112011010-IL
X	101 RESONATOR,CERAMIC	E830200010010-IL
	CN101 CN.WAFER 2.0MM	L101200101510-IL
	CN102 CN.FPC 1.25MM	L131112300010-IL

	CN103 CN,WIRE	L000900020060-IL
	CN104 CN,WIRE	L002900020060-IL
	CN107 CN.WAFER 2.0MM	L002141030100-IL
	CN110 CONNECTOR(10P)	L101200101010-IL
E	CN113 CN.WAFER 2.0MM	L101200101410-IL

	CN9101 CN.WAFER 2.0MM	L101020000010-IL
	CN9103 CN.WAFER 2.5MM	L102526700400-IL
	CN9104 CN.WAFER 2.0MM	L101530140710-IL
	O TAPE	1220210059020-IL

RESISTORS

R	193,194	RD1/4PU104J
R	213,214,252,254	C060022065050-IL
	Other Resistors	RS1/10SR###J

CAPACITORS

C	101,102	D011182777160-IL
C	103,104	D011153777160-IL
C	105,106	CEAT470M10

A FUNCTION ASSY (A-A6MK2-K/SYXCN5)

SEMICONDUCTORS

	IC 101	R2S15205FP
	IC 102	J020780536000-IL
	IC 106-108	NJM2068M
	IC 109	J000240640010-IL
⚠	IC 111	J126790800090-IL

Mark	No.	Description	Part No.
△	IC	112	J126780800190-IL
	IC	511	J125704200010-IL
	Q	101,102,104,105	J5410369G0010-IL
	Q	103,106	J5021845F0000-IL
	Q	111,112,124-127	J5222875B0010-IL
	Q	115	J520010200210-IL
	Q	116,123	J522107S00210-IL
	Q	121	J522038750210-IL
	Q	122	J520010100010-IL
	Q	128	J520015040150-IL
	D	101-105,110,111	K005041480020-IL
	D	114-120	K005041480020-IL
	D	9101,9102	UDZS5R1(B)

MISCELLANEOUS

J	101	PIN JUMPER	L424000040000-IL
J	9100	CN,WIRE	L000121010100-IL
J	9101	CN,WIRE	L000600010010-IL
JA	102	TER,RCA 6PIN	G603617AG04GY-IL
JA	103	TER,RCA 4PIN	G602617AG020Y-IL

JA	107	TER,RCA 2PIN	G601207AEGG02-IL
X	101	RESONATOR,CERAMIC	E830200010010-IL
CN	101	CN.WAFER 2.0MM	L101200101510-IL
CN	102	CN.FPC 1.25MM	L131112300010-IL
CN	103	CN,WIRE	L000900020060-IL

CN	104	CN,WIRE	L002900020060-IL
CN	107	CN.WAFER 2.0MM	L002141030100-IL
CN	110	CONNECTOR(10P)	L101200101010-IL
CN	113	CN.WAFER 2.0MM	L101200101410-IL
CN	9101	CN.WAFER 2.0MM	L101020000010-IL

CN	9103	CN.WAFER 2.5MM	L102526700400-IL
CN	9104	CN.WAFER 2.0MM	L101530140710-IL
	0	TAPE	1220210059020-IL

RESISTORS

R	213,214,252,254	Other Resistors	C060022065050-IL
			RS1/10SR###J

CAPACITORS

C	101,102		D011182777160-IL
C	103,104		D011153777160-IL
C	105,106		CEAT470M10
C	107,108,127,128		D040220083070-IL
C	109,110		CEAT101M10

C	111,112		D020683167050-IL
C	113,114		D004122287050-IL
C	115,116		D020183078060-IL
C	117,118		D004472277050-IL
C	119-121,123,150		CEAT100M50

C	122,124,157,161		D011103777160-IL
C	125,126,129,130		D010221167160-IL
C	131,132,135,136		D040220083070-IL
C	133,134,137,138		D010221167160-IL
C	139,140,143,144		D040220083070-IL

C	141,142,163,182		D010221167160-IL
C	149,158,162,179		CEAT470M16
C	151,155		D020473167050-IL
C	152,154		D020154078050-IL
C	153,156		D011223777160-IL

C	159,160,176,177		D010331167160-IL
C	164,165,195,210		D011103777160-IL
C	174,175,214,215		D010560167160-IL

Mark	No.	Description	Part No.
C	178,186-189,191		CEAT100M50
C	180,181		D010820167160-IL
C	183,217-223,226		D010221167160-IL
C	190,193		CEAT1R0M50
C	192,228,229		CEAT100M50
C	202		D004103097060-IL
C	208		D0400R1087050-IL
C	209		D090473904010-IL
C	211,230		D011103777160-IL
C	212		CEAT221M6R3
C	213,216		CEAT221M10
C	227,240,241		D010221167160-IL
C	236-239		CEAT470M16
C	242		CEAT2R2M50
C	9101		D004103277050-IL

A FUNCTION ASSY (SX-A9MK2-K/CUXCN)

SEMICONDUCTORS

IC	101		R2S15205FP
IC	102		J020780536000-IL
IC	104-108		NJM2068M
IC	109		J000240640010-IL
△	IC	111	J126790800090-IL

△	IC	112	J126780800190-IL
	IC	511	J125704200010-IL
	Q	101,102,104,105	J5410369G0010-IL
	Q	103,106	J5021845F0000-IL
	Q	107,108,116,123	J522107S00210-IL

Q	111-114,124-127		J5222875B0010-IL
Q	115		J520010200210-IL
Q	120		J5001023Y0050-IL
Q	121		J522038750210-IL
Q	122		J520010100010-IL

Q	128		J520015040150-IL
D	101-112,114-120		K005041480020-IL
D	9101,9102		UDZS5R1(B)

MISCELLANEOUS

J	101	PIN JUMPER	L424000040000-IL
J	9100	CN,WIRE	L000121010100-IL
J	9101	CN,WIRE	L000600010010-IL
JA	102,103	TER,RCA 6PIN	G603617AG04GY-IL
JA	104	JACK,D3.5	G401PJ3080100-IL

JA	107	TER,RCA 2PIN	G601207AEGG02-IL
RY	100,101	RELAY	G680240202030-IL
S	102	SW,SLIDE	G060112011010-IL
X	101	RESONATOR,CERAMIC	E830200010010-IL
CN	101	CN.WAFER 2.0MM	L101200101510-IL

CN	102	CN.FPC 1.25MM	L131112300010-IL
CN	103	CN,WIRE	L000900020060-IL
CN	104	CN,WIRE	L002900020060-IL
CN	105	CONNECTOR	L131111100010-IL
CN	107	CN.WAFER 2.0MM	L002141030100-IL

CN	110	CONNECTOR(10P)	L101200101010-IL
CN	113	CN.WAFER 2.0MM	L101200101410-IL
CN	9101	CN.WAFER 2.0MM	L101020000010-IL
CN	9103	CN.WAFER 2.5MM	L102526700400-IL
CN	9104	CN.WAFER 2.0MM	L101530140710-IL

0	TAPE		1220210059020-IL
---	------	--	------------------

Mark No. Description Part No.

Mark No. Description Part No.

RESISTORS

R 193,194	RD1/4PU104J
R 213,214,252,254	C060022065050-IL
Other Resistors	RS1/10SR###J

CAPACITORS

C 101,102	D011182777160-IL
C 103,104	D011153777160-IL
C 105,106	CEAT470M10
C 107,108,127,128	D040220083070-IL
C 109,110	CEAT101M10

C 111,112	D020683167050-IL
C 113,114	D004122287050-IL
C 115,116	D020183078060-IL
C 117,118	D004472277050-IL
C 119-121,123,150	CEAT100M50

C 122,124,157,161	D011103777160-IL
C 125,126,129,130	D010221167160-IL
C 131,132,135,136	D040220083070-IL
C 133,134,137,138	D010221167160-IL
C 139,140,143,144	D040220083070-IL

C 141,142,145,146	D010221167160-IL
C 147,148	D040220083070-IL
C 149,158,162,179	CEAT470M16
C 151,155	D020473167050-IL
C 152,154	D020154078050-IL

C 153,156,198,201	D011223777160-IL
C 159,160,176,177	D010331167160-IL
C 163,182,183	D010221167160-IL
C 164-167,194,195	D011103777160-IL
C 168,169,199,200	D011104577161-IL

C 170,171	D011822777160-IL
C 172,173	D011472777160-IL
C 174,175,214,215	D010560167160-IL
C 178,184-189,191	CEAT100M50
C 180,181	D010820167160-IL

C 190,193	CEAT1R0M50
C 192,202,205,207	CEAT100M50
C 203	D000221167070-IL
C 208	D0400R1087050-IL
C 209	D090473904010-IL

C 210,211,230	D011103777160-IL
C 212	CEAT221M6R3
C 213,216	CEAT221M10
C 217-227,240,241	D010221167160-IL
C 228,229,232-235	CEAT100M50

C 236-239	CEAT470M16
C 242	CEAT2R2M50
C 9101	D004103277050-IL

**A FUNCTION ASSY (SX-A6MK2-K/CUXCN)
SEMICONDUCTORS**

IC 101	R2S15205FP
IC 102	J020780536000-IL
IC 106-108	NJM2068M
IC 109	J000240640010-IL
IC 111	J126790800090-IL

IC 112	J126780800190-IL
IC 511	J125704200010-IL

Q 101,102,104,105	J5410369G0010-IL
Q 103,106	J5021845F0000-IL
Q 111,112,124-127	J5222875B0010-IL

Q 115	J520010200210-IL
Q 116,123	J522107S00210-IL
Q 120	J5001023Y0050-IL
Q 121	J522038750210-IL
Q 122	J520010100010-IL

Q 128	J520015040150-IL
D 101-105,110-112	K005041480020-IL
D 114-120	K005041480020-IL
D 9101,9102	UDZS5R1(B)

MISCELLANEOUS

J 101 PIN JUMPER	L424000040000-IL
J 9100 CN,WIRE	L000121010100-IL
J 9101 CN,WIRE	L000600010010-IL
JA 102 TER,RCA 6PIN	G603617AG04GY-IL
JA 103 TER,RCA 4PIN	G602617AG020Y-IL

JA 104 JACK,D3.5	G401PJ3080100-IL
JA 107 TER,RCA 2PIN	G601207AEGG02-IL
X 101 RESONATOR,CERAMIC	E830200010010-IL
CN 101 CN.WAFER 2.0MM	L101200101510-IL
CN 102 CN.FPC 1.25MM	L131112300010-IL

CN 103 CN,WIRE	L000900020060-IL
CN 104 CN,WIRE	L002900020060-IL
CN 105 CONNECTOR	L131111100010-IL
CN 107 CN.WAFER 2.0MM	L002141030100-IL
CN 110 CONNECTOR(10P)	L101200101010-IL

CN 113 CN.WAFER 2.0MM	L101200101410-IL
CN 9101 CN.WAFER 2.0MM	L101020000010-IL
CN 9103 CN.WAFER 2.5MM	L102526700400-IL
CN 9104 CN.WAFER 2.0MM	L101530140710-IL
0 TAPE	1220210059020-IL

RESISTORS

R 213,214,252,254	C060022065050-IL
Other Resistors	RS1/10SR###J

CAPACITORS

C 101,102	D011182777160-IL
C 103,104	D011153777160-IL
C 105,106	CEAT470M10
C 107,108,127,128	D040220083070-IL
C 109,110	CEAT101M10

C 111,112	D020683167050-IL
C 113,114	D004122287050-IL
C 115,116	D020183078060-IL
C 117,118	D004472277050-IL
C 119-121,123,150	CEAT100M50

C 122,124,157,161	D011103777160-IL
C 125,126,129,130	D010221167160-IL
C 131,132,135,136	D040220083070-IL
C 133,134,137,138	D010221167160-IL
C 139,140,143,144	D040220083070-IL

C 141,142,163,182	D010221167160-IL
C 149,158,162,179	CEAT470M16
C 151,155	D020473167050-IL
C 152,154	D020154078050-IL
C 153,156	D011223777160-IL

C 159,160,176,177	D010331167160-IL
C 164,165,194,195	D011103777160-IL

Mark No.	Description	Part No.
C	174,175,214,215	D010560167160-IL
C	178,184-189,191	CEAT100M50
C	180,181	D010820167160-IL
C	183,217-223,226	D010221167160-IL
C	190,193	CEAT1R0M50
C	192,202,228,229	CEAT100M50
C	203	D000221167070-IL
C	208	D0400R1087050-IL
C	209	D090473904010-IL
C	210,211,230	D011103777160-IL
C	212	CEAT221M6R3
C	213,216	CEAT221M10
C	227,240,241	D010221167160-IL
C	236-239	CEAT470M16
C	242	CEAT2R2M50
C	9101	D004103277050-IL

B FRONT ASSY SEMICONDUCTORS

Q	601,603,604,607	J522107S00210-IL
Q	605,608	J522038750210-IL
Q	611	J522107S00210-IL
D	601	K500032101061-IL
D	604,606	NSPB500AR10A2252
D	615,616,618	K005041480020-IL

MISCELLANEOUS

V	601	LCD MODULE	AAV7118
CN	608	CONNECTOR	L131101400010-IL
CN	680	CN.WAFER 2.0MM	L101200100310-IL
CN	681	CN.WAFER 2.0MM	L101200100210-IL
0		COVER	4310212961000-IL
0		STOPPER	4380210081000-IL
0		WINDOW	5070212313000-IL
0		COVER	4310212951000-IL
0		SHEET	1210210382000-IL
0		HOUSING	3050210051000-IL
602		1P WIRE LUGPIN	N602121010310-IL

RESISTORS

R	629	RS1/10SR1201F
R	9656,9658,9661	RS1/4SAOR0J
	Other Resistors	RS1/10SR###J

CAPACITORS

C	607	D040100083050-IL
C	608,609	D011103777163-IL
C	611-614	D010221167160-IL
C	615	D010561167160-IL
C	620	D004103277050-IL

D REMOCON ASSY MISCELLANEOUS

CN	680	CN.WIRE	L002800030110-IL
601		MODULE REMOCON	E940633800000-IL

RESISTORS

	All Resistors	RS1/10SR###J
--	---------------	--------------

CAPACITORS

Mark No.	Description	Part No.
C	605	CEAL100M16
C	610	D011103777160-IL

E STATION ASSY MISCELLANEOUS

CN	903,914	CN.WIRE	L000800020160-IL
CN	904,916	CN.WIRE	L002800020170-IL
CN	905	CN.WIRE	L000800020140-IL
CN	906,9913	CONNECTOR(2P)	L102526700200-IL
CN	907	CN.WAFER 2.0MM	L101530140210-IL
CN	908	CN.WAFER 2.0MM	L101200100210-IL
CN	910	CN.WIRE	L002101100080-IL
CN	912	CN.WAFER 2.0MM	L101200100310-IL
CN	913	CN.WIRE	L002101140070-IL
CN	915	CN.WIRE	L000800020150-IL
CN	9914	CONNECTOR	L131101400010-IL
CN	9915	CN.FPC 1.25MM	L131101000020-IL

F POWER LED ASSY SEMICONDUCTORS

D	603	SLR343BC4T(JK)
---	-----	----------------

MISCELLANEOUS

CN	682	CN.WIRE	L002800020170-IL
0		STOPPER	4380210081000-IL

G ENCODER SW ASSY SEMICONDUCTORS

Q	602,609	J522010200210-IL
D	602	K500032101061-IL

MISCELLANEOUS

VR	601	ENCODER	G121162401200-IL
S	601	SWITCH	G180000270010-IL
S	602	ENCODER	G121162400050-IL
CN	607	CN.FPC 1.25MM	L131101000020-IL
0		1P WIRE LUGPIN	N602121010310-IL
0		STOPPER	4380210081000-IL

RESISTORS

R	609	RD1/4PU123J
R	612	RD1/4PU561J
R	9605	RS1/4SAOR0J
	Other Resistors	RS1/10SR###J

CAPACITORS

C	601-604	D011103777163-IL
---	---------	------------------

H XM READY ASSY (A-A9MK2-K/SYXCN5) SEMICONDUCTORS

IC	510	J042270200010-IL
IC	513	NJM2068M
Q	513,517,518	J522107S00210-IL
D	501	UDZS3R3(B)
D	511,514	K005041480020-IL

MISCELLANEOUS

L	518,521,524	CHIP BEAD	D340160811210-IL
JA	503	JACK,D3.5	G40130802000Y-IL

Mark No.	Description	Part No.
JA 504	CN,PLUG CONTACT	G480670680010-IL
X 502	CRYSTAL	E80012R000080-IL
CN501	CN.FPC 1.25MM	L131112300010-IL
CN550	CONNECTOR(6P)	L102526700600-IL
0	SHIELD	3070210286000-IL
501,502	SHIELD	3070045526010-IL

RESISTORS

R 501	Other Resistors	C060047063050-IL RS1/10SR###J
-------	-----------------	----------------------------------

CAPACITORS

C 0,511	CEAT470M16
C 502,503,506,508	D011104577161-IL
C 504,505	D010300167160-IL
C 509,510,512,513	CEAT100M50
C 514,515,523,524	D010681167160-IL
C 516,518,519,522	CEAT100M50
C 517,569,570,573	D011103777160-IL

XM READY ASSY (A-A6MK2-K/SYXCN5)**SEMICONDUCTORS**

Q 513	J522107S00210-IL
D 511,514	K005041480020-IL

MISCELLANEOUS

L 518,521,524	CHIP BEAD	D340160811210-IL
JA 503	JACK,D3.5	G40130802000Y-IL
CN501	CN.FPC 1.25MM	L131112300010-IL
CN550	CONNECTOR(6P)	L102526700600-IL
501,502	SHIELD	3070045526010-IL

RESISTORS

All Resistors	RS1/10SR###J
---------------	--------------

CAPACITORS

C 569,570	D011103777160-IL
-----------	------------------

XM READY ASSY (SX-A9MK2-K/CUXCN)**SEMICONDUCTORS**

⚠ IC 501	J126111733020-IL
IC 503,513	NJM2068M
IC 504	J040740800230-IL
IC 505,506	J040740800240-IL
IC 507	J080260200040-IL

⚠ IC 508	J042438500010-IL
IC 509	J126050000020-IL
IC 510	J042270200010-IL
Q 501,504,513,515	J522107S00210-IL
Q 502,503,510,511	J520010200210-IL

Q 506-509	J5222875B0010-IL
Q 516	J520010400210-IL
Q 517,518	J522107S00210-IL
D 501-507,510,511	K005041480020-IL
D 513-516	K005041480020-IL

D 9501	UDZS3R3(B)
--------	------------

MISCELLANEOUS

L 201,202,501-518	CHIP BEAD	D340160811210-IL
L 520,521,523-526	CHIP BEAD	D340160811210-IL
JA 501-503	JACK,D3.5	G40130802000Y-IL

Mark No.	Description	Part No.
JA 504	CN,PLUG CONTACT	G480670680010-IL
JA 505	CN.WAFER	L109040000020-IL
X 501	OSCILATOR,CERAMIC CH	E855451584020-IL
X 502	CRYSTAL	E80012R000080-IL
CN 10	CN.WAFER 2.0MM	L101530140910-IL
CN 501	CN.FPC 1.25MM	L131112300010-IL
CN 550	CONNECTOR(6P)	L102526700600-IL

0	SHIELD	3070210286000-IL
501,502	SHIELD	3070045526010-IL

RESISTORS

R 501	Other Resistors	C060047063050-IL RS1/10SR###J
-------	-----------------	----------------------------------

CAPACITORS

C 0,511	CEAT470M16
C 502,503,506,508	D011104577161-IL
C 504,505	D010300167160-IL
C 509,510,512,513	CEAT100M50
C 514,515,523,524	D010681167160-IL

C 516,518,519,522	CEAT100M50
C 517,537-541	D011103777160-IL
C 529,534-536,543	D011104577161-IL
C 530-533	D010200167160-IL
C 542,544,547	D011102777160-IL

C 545,546	D011104577161-IL
C 549,550	D011332777160-IL
C 551-554	D011471767160-IL
C 555,556,560,561	CEAT100M50
C 557,558	CEAT220M50

C 559,562,566,568	D010470167160-IL
C 563,565	CEAT100M50
C 564	CEAT101M10
C 567	D011153777160-IL
C 569-574	D011103777160-IL

XM READY ASSY (SX-A6MK2-K/CUXCN)**SEMICONDUCTORS**

⚠ IC 501	J126111733020-IL
IC 503	NJM2068M
IC 504	J040740800230-IL
IC 505,506	J040740800240-IL
IC 507	J080260200040-IL

⚠ IC 508	J042438500010-IL
IC 509	J126050000020-IL
Q 501,504,513,515	J522107S00210-IL
Q 502,503,510,511	J520010200210-IL
Q 506-509	J5222875B0010-IL

Q 516	J520010400210-IL
D 501-507,510,511	K005041480020-IL
D 513-516	K005041480020-IL

MISCELLANEOUS

L 201,202,501-518	CHIP BEAD	D340160811210-IL
L 520,521,523-526	CHIP BEAD	D340160811210-IL
JA 501-503	JACK,D3.5	G40130802000Y-IL
JA 505	CN.WAFER	L109040000020-IL
X 501	OSCILATOR,CERAMIC CH	E855451584020-IL

CN 10	CN.WAFER 2.0MM	L101530140910-IL
CN 501	CN.FPC 1.25MM	L131112300010-IL
CN 550	CONNECTOR(6P)	L102526700600-IL

Mark No.	Description	Part No.
	501,502 SHIELD	3070045526010-IL

RESISTORS

All Resistors	RS1/10SR###J
---------------	--------------

CAPACITORS

C 529,534-536,543	D011104577161-IL
C 530-533	D010200167160-IL
C 537-541,569-572	D011103777160-IL
C 542,544,547	D011102777160-IL
C 545,546	D011104577161-IL
C 549,550	D011332777160-IL
C 551-554	D011471767160-IL
C 555,556,560,561	CEAT100M50
C 557,558	CEAT220M50
C 559,562,566,568	D010470167160-IL
C 563,565	CEAT100M50
C 564	CEAT101M10
C 567	D011153777160-IL
C 574	D011103777160-IL

I AMP LCH ASSY

SEMICONDUCTORS

Q 701-703,706	2SA970
Q 704,714,765,771	J5410246G0000-IL
Q 705	2SK170
Q 707	J5400074B0010-IL
Q 708,713	J5400103G0010-IL
Q 709	J522107S00210-IL
Q 712,755-757	2SC2240
Q 716,717	2SC2705
Q 718	2SA1145
Q 766	J5021027Y0020-IL
⚠ Q 767	2SC4883A
Q 769	J5001023Y0050-IL
⚠ Q 770	2SA1859A
D 701,702	K005041480020-IL
D 703,704,9701,9702	MTZJ20(B)
D 707,708	1SS133
⚠ D 711-714	K000400700010-IL
D 8701,8702	K500036000080-IL

MISCELLANEOUS

L 701 COIL	D3301R6100000-IL
J 0 CN,WIRE	L000281040051-IL
J 702 CN,WIRE	L000171010040-IL
VR 701 VR,SEMI CARBON MOLD	C541202115000-IL
VR 702 VR,SEMI CARBON MOLD	C541503115000-IL
RY 701 RELAY	G680120528010-IL
CN 702 CN.WAFER 2.0MM	L101530140210-IL
CN 703 CONNECTOR(2P)	L102526700200-IL
CN 705,713 CN.WAFER 2.0MM	L101200100210-IL
CN 711 CONNECTOR	L108202000220-IL
CN 751 CONNECTOR(4P)	L101100040410-IL
CN 752 CN.WAFER 2.0MM	L101100040510-IL
CN 753 CONNECTOR(3P)	L102526700300-IL
0 CLAMP	4330040343010-IL

RESISTORS

R 701,702,709,710	C060022163050-IL
R 711	C000047063520-IL
R 712	C000015263520-IL

Mark No.	Description	Part No.
R	719,720	C060022163050-IL
R	723,724	C060022063050-IL

R 725,726	C060033065050-IL
R 727,728	C0604R7063050-IL
R 729,730	C060R22066050-IL
R 732,733	RS1/10SR0R0J
R 735,736	C060010065050-IL
R 819,820	C060R22065050-IL
R 9716,9718-9722,9729	RS1/4SA0R0J
R 9730,9732,9739,9758	RS1/4SA0R0J
Other Resistors	RD1/4PU###J

CAPACITORS

C 701,703,729,730	D000150167070-IL
C 702	CEAT470M25
C 704	CEANP100M16
C 705	D004102277050-IL
C 706,708	D00447127D050-IL
C 709	D02027116C050-IL
C 710,711,731,732	D020104167050-IL
C 714	D004222277050-IL
C 726	CEANP470M10
C 733,734,751,752	CEAT220M50
C 735,736	CEAT101M50
C 745,746	D020223167050-IL
C 747,748	CEAT102M50
C 753,754	D020103167050-IL
C 755,756	CEAT220M50

J AMP RCH ASSY

SEMICONDUCTORS

Q 710	J522107S00210-IL
Q 728,741	2SC2705
Q 730	J5400074B0010-IL
Q 734,739	J5400103G0010-IL
Q 735,746,759,762	J5410246G0000-IL
Q 736	2SK170
Q 738	2SA1145
Q 743,749,750,752	2SA970
Q 744,745,748,753	2SC2240
Q 760	J5021027Y0020-IL
⚠ Q 761	2SC4883A
Q 763	J5001023Y0050-IL
⚠ Q 764	2SA1859A
D 703,9704	K500036000080-IL
D 704,706	K005041480020-IL
D 705,707,708,9706	MTZJ20(B)
D 709,710	1SS133
⚠ D 715-718	K000400700520-IL

MISCELLANEOUS

L 702 COIL	D3301R6100000-IL
J 0 CN,WIRE	L000281040061-IL
J 701 CN,WIRE	L000171010040-IL
VR 703 VR,SEMI CARBON MOLD	C541503115000-IL
VR 704 VR,SEMI CARBON MOLD	C541202115000-IL
RY 702 RELAY	G680120528010-IL
CN 704 CONNECTOR(2P)	L102526700200-IL
CN 706 CN.WAFER 2.0MM	L101530140210-IL
CN 707,710 CN.WAFER 2.0MM	L101200102100-IL
CN 712 CONNECTOR	L108202000220-IL

Mark	No.	Description	Part No.
------	-----	-------------	----------

		CN 754,755 CONNECTOR(4P)	L101100040410-IL
A		CN 766 CONNECTOR(3P)	L102526700300-IL
		0 CLAMP	4330040343010-IL

RESISTORS

		R 739	C000015263520-IL
		R 740	C000047063520-IL
		R 745,763,764,767	C060022163050-IL
		R 751,773	C060022063050-IL
		R 752,772	C060033065050-IL

		R 754,790	C0604R7063050-IL
		R 755,774	C060R22066050-IL
		R 757,758	C060010065050-IL
B		R 769,786	C060022163050-IL
		R 770,771	RS1/10SR0R0J

		R 823,824	C060R22065050-IL
		R 9735,9751,9752	RS1/4SA0R0J
		R 9754-9757,9759,9760	RS1/4SA0R0J
		Other Resistors	RD1/4PU###J

CAPACITORS

		C 713,757	D020223167050-IL
		C 715	D02027116C050-IL
		C 717,723,739,740	D020104167050-IL
		C 718	CEAT470M25
C		C 719,722,741,742	D000150067050-IL

		C 720,721	D00447127D050-IL
		C 724	CEANP100M16
		C 725	CEANP470M10
		C 727	D004222277050-IL
		C 728	D004102277050-IL

		C 737,738	CEAT101M50
		C 743,744,763,764	CEAT220M50
		C 759,760	CEAT102M50
		C 765,768	D020103167050-IL
		C 766,767	CEAT220M50

K REG IC ASSY (SYXCN5)**SEMICONDUCTORS**

		⚠ IC 802	J126791200060-IL
		⚠ IC 805,811	J126781200040-IL

MISCELLANEOUS

		CN 801 CN,WIRE 2MM	L002101150080-IL
		CN 802,803 CN,WIRE	L000800020180-IL
		CN 814,816 CN.WAFER 3.96MM	L104359780420-IL
		CN 815 CN,WIRE	L000141060020-IL
E		CN 817-820 CN.WAFER 2.0MM	L101100031010-IL

		0 SCREW,TAP TITE	B020030086B10-IL
		0 SCREW	B020030081B10-IL

RESISTORS

		R 836	RS1/10SR223J
		Other Resistors	RS1/4SA###J

CAPACITORS

		C 816,817,859-862	CEAT470M25
		C 832,875,876	D011103597160-IL

K REG IC ASSY (CUXCN)

Mark	No.	Description	Part No.
------	-----	-------------	----------

SEMICONDUCTORS

		⚠ IC 802	J126791200060-IL
		⚠ IC 803	J126780900020-IL
		⚠ IC 805,811	J126781200040-IL
		⚠ IC 806	J126201100020-IL
		Q 813,814	J522010200210-IL

MISCELLANEOUS

		CN 801 CN,WIRE 2MM	L002101150080-IL
		CN 802,803 CN,WIRE	L000800020180-IL
		CN 814,816 CN.WAFER 3.96MM	L104359780420-IL
		CN 815 CN,WIRE	L000141060020-IL
		CN 817-820 CN.WAFER 2.0MM	L101100031010-IL

		0 SCREW	B020030081B10-IL
		0 SCREW,TAP TITE	B020030086B10-IL

RESISTORS

		R 9781,9866-9870	RS1/4SA0R0J
		Other Resistors	RS1/10SR###J

CAPACITORS

		C 816-818,824,825	CEAT470M25
		C 819	D040470082120-IL
		C 826,830-832,875	D011103597160-IL
		C 859-862	CEAT470M25
		C 876	D011103597160-IL

L SUB TRANS ASSY (SYXCN5)**SEMICONDUCTORS**

		Q 815	J522038750210-IL
		D 804,818	K005041480020-IL
		⚠ D 805-808	K000400700010-IL

MISCELLANEOUS

		F 651,801 HOLDER,FUSE CLIP	G645000050010-IL
		⚠ RY 651 RELAY	G680090502010-IL
		⚠ T 801 POWER TRANS	8200280150330-IL
		CN 301 CONNECTOR	L108202000220-IL
		CN 653 CN.WAFER 7.92MM	L108353280260-IL

		CN 801 CN.WAFER 7.92MM	L108353280290-IL
		CN 802 CN.WAFER 7.92MM	L108353280270-IL
		CN 804 CN,WIRE	L002351040120-IL
		⚠ FU 0 FUSE(T4A)	AEK1060

RESISTORS

		R 813	C00004726P520-IL
		Other Resistors	RS1/10SR###J

CAPACITORS

		C 652	CEAT471M16
		C 866	D00410359D050-IL
		C 868	D004103277050-IL
		C 870	D011102777160-IL
		⚠ C 881	D00847208H010-IL

L SUB TRANS ASSY (CUXCN)**SEMICONDUCTORS**

		Q 815	J522038750210-IL
		D 804,818	K005041480020-IL
		⚠ D 805-808	K000400700010-IL

MISCELLANEOUS

		F 651,801 HOLDER,FUSE CLIP	G645000050010-IL
		⚠ RY 651 RELAY	G680090502010-IL

Mark	No.	Description	Part No.
⚠	T 801	POWER TRANS	8200280150640-IL
	CN301	CONNECTOR	L108202000220-IL
	CN653	CN.WAFER 7.92MM	L108353280260-IL
	CN801	CN.WAFER 7.92MM	L108353280290-IL
	CN802	CN.WAFER 7.92MM	L108353280270-IL
	CN804	CN.WIRE	L002351040120-IL
	0	LABEL	5507000000640-IL
⚠	FU 0	FUSE GLASS TUBE 20MM	N751228001110-IL

RESISTORS

R 813	C00004726P520-IL
Other Resistors	RS1/10SR###J

CAPACITORS

C 652	CEAT471M16
C 866	D00410359D050-IL
C 868	D004103277050-IL
C 870	D011102777160-IL
⚠ C 881	D00847208H010-IL

M POWER SW ASSY**MISCELLANEOUS**

⚠ S 801	SW.PUSH	G000390130010-IL
CN709	CN.WIRE	L000121020220-IL

N MAIN ASSY (A-A9MK2-K/SYXCN5)**SEMICONDUCTORS**

⚠ IC 804	J126780500110-IL
⚠ IC 809	J126780600130-IL
Q 801,802,806,808	J5023200B0050-IL
Q 803,807	J5001268B0050-IL
Q 804,805	J522107S00210-IL
⚠ D 809,810,813,814	K120220001010-IL
D 811,812,815,816	K005041480020-IL
⚠ D 819-822	K120220001010-IL
⚠ D 850-857	K000400700010-IL

MISCELLANEOUS

CN803	CN.WAFER 2.5MM	L102526700800-IL
CN804	CONNECTOR(6P)	L102526700600-IL
CN810-813	CN.WAFER 2.0MM	L101100041010-IL
CN852	CN.WAFER 2.0MM	L101200100410-IL
502	TERMINAL	3790040886000-IL

RESISTORS

R 801,807,831	RD1/4PU4R7J
R 821,822,850,851	C060R22065050-IL
R 852	C060022065060-IL
R 9812,9814-9817,9820	RS1/4SAOR0J
Other Resistors	RS1/10SR###J

CAPACITORS

C 801,802,834,835	D020474069050-IL
C 803,804,807,808	D046472087000-IL
C 805,806,809,810	D00410359D050-IL
C 811,813	CEAT101M10
C 812,814	D011104577161-IL
C 827,838,841	D00410359D050-IL
C 828	D040222084030-IL
C 829	D040100083050-IL
C 836,837,839,840	D046472087000-IL
C 843-850	D02010407H080-IL

Mark	No.	Description	Part No.
	C 871,874		CEAT470M16
	C 873		D011103777163-IL
	C 898,899		D040102087010-IL

N MAIN ASSY (A-A6MK2-K/SYXCN5)**SEMICONDUCTORS**

⚠ IC 804	J126780500110-IL
⚠ IC 809	J126780600130-IL
Q 801,802,806,808	J5023200B0050-IL
Q 803,807	J5001268B0050-IL
Q 804,805	J522107S00210-IL
⚠ D 809,810,813,814	K120220001010-IL
D 811,812,815,816	K005041480020-IL
⚠ D 819-822	K120220001010-IL
⚠ D 850-857	K000400700010-IL

MISCELLANEOUS

CN803	CN.WAFER 2.5MM	L102526700800-IL
CN804	CONNECTOR(3P)	L102526700300-IL
CN810-813	CN.WAFER 2.0MM	L101100041010-IL
CN852	CN.WAFER 2.0MM	L101200100410-IL
502	TERMINAL	3790040886000-IL

RESISTORS

R 801,807,831	RD1/4PU4R7J
R 821,822,850,851	C060R22065050-IL
R 852	C060022065060-IL
R 9812,9814-9817,9820	RS1/4SAOR0J
Other Resistors	RS1/10SR###J

CAPACITORS

C 801,802,834,835	D020474069050-IL
C 803,804,807,808	D046472087000-IL
C 805,806,809,810	D00410359D050-IL
C 811,813	CEAT101M10
C 812,814	D011104577161-IL
C 827,838,841	D00410359D050-IL
C 828	D040222084030-IL
C 829	D040100083050-IL
C 836,837,839,840	D046472087000-IL
C 843-850	D02010407H080-IL
C 871,874	CEAT470M16
C 873	D011103777163-IL
C 898,899	D040102087010-IL

N MAIN ASSY (SX-A9MK2-K/CUXCN)**SEMICONDUCTORS**

⚠ IC 804,808	J126780500110-IL
⚠ IC 809	J126780600130-IL
Q 801,802,806,808	J5023200B0050-IL
Q 803,807	J5001268B0050-IL
Q 804,805	J522107S00210-IL
⚠ D 802,803,850-857	K000400700010-IL
⚠ D 809,810,813,814	K120220001010-IL
D 811,812,815,816	K005041480020-IL
⚠ D 819-822	K120220001010-IL

MISCELLANEOUS

CN803	CN.WAFER 2.5MM	L102526700800-IL
CN804	CONNECTOR(6P)	L102526700600-IL
CN810-813	CN.WAFER 2.0MM	L101100041010-IL
CN852	CN.WAFER 2.0MM	L101200100410-IL
502	TERMINAL	3790040886000-IL

Mark No. Description Part No.

RESISTORS

A R 801,807,831 RD1/4PU4R7J
 R 821,822,850,851 C060R22065050-IL
 R 852 C060022065060-IL
 R 853,854 C060R22065050-IL
 R 9811,9812,9814-9817 RS1/4SA0R0J
 R 9820 RS1/4SA0R0J
 Other Resistors RS1/10SR###J

CAPACITORS

B C 801,802,834,835 D020474069050-IL
 C 803,804,807,808 D046472087000-IL
 C 805,806,809,810 D00410359D050-IL
 C 811,813 CEAT101M10
 C 812,814 D011104577161-IL
 C 827,838,841,862 D00410359D050-IL
 C 828 D040222084030-IL
 C 829 D040100083050-IL
 C 833,855 D040183083001-IL
 C 836,837,839,840 D046472087000-IL
 C 843-850 D02010407H080-IL
 C 861 D040102083030-IL
 C 864 D040101083070-IL
 C 871,874 CEAT470M16
 C 873 D011103777163-IL
 C 898,899 D040102087010-IL

N MAIN ASSY (SX-A6MK2-K/CUXCN)

SEMICONDUCTORS

△ IC 804,808 J126780500110-IL
 △ IC 809 J126780600130-IL
 Q 801,802,806,808 J5023200B0050-IL
 Q 803,807 J5001268B0050-IL
 Q 804,805 J522107S00210-IL
 △ D 802,803,850-857 K000400700010-IL
 △ D 809,810,813,814 K120220001010-IL
 D 811,812,815,816 K005041480020-IL
 △ D 819-822 K120220001010-IL

MISCELLANEOUS

CN 803 CN.WAFER 2.5MM L102526700800-IL
 CN 804 CONNECTOR(6P) L102526700600-IL
 CN 810-813 CN.WAFER 2.0MM L101100041010-IL
 CN 852 CN.WAFER 2.0MM L101200100410-IL
 502 TERMINAL 3790040886000-IL

RESISTORS

E R 801,807,831 RD1/4PU4R7J
 R 821,822,850,851 C060R22065050-IL
 R 852 C060022065060-IL
 R 853,854 C060R22065050-IL
 R 9811,9812,9814-9817 RS1/4SA0R0J
 R 9820 RS1/4SA0R0J
 Other Resistors RS1/10SR###J

CAPACITORS

F C 801,802,834,835 D020474069050-IL
 C 803,804,807,808 D046472087000-IL
 C 805,806,809,810 D00410359D050-IL
 C 811,813 CEAT101M10
 C 812,814 D011104577161-IL

Mark No. Description Part No.

C 827,838,841,862 D00410359D050-IL
 C 828 D040222084030-IL
 C 829 D040100083050-IL
 C 833,855 D040183083001-IL
 C 836,837,839,840 D046472087000-IL
 C 843-850 D02010407H080-IL
 C 861 D040102083030-IL
 C 864 D040101083070-IL
 C 871,874 CEAT470M16
 C 873 D011103777163-IL
 C 898,899 D040102087010-IL

O HEADPHONE ASSY

MISCELLANEOUS

L 620-622 CHIP BEAD D340160811210-IL
 JA 601 JACK,D6.5 G402PJ612AG0Y-IL
 CN 651 CN,WIRE L000501040040-IL
 503 TERMINAL 3790040886000-IL

CAPACITORS

C 616 D011102777160-IL
 C 653,654 D011473774161-IL

P PROTECTION L-CH ASSY

SEMICONDUCTORS

Q 723,725,726 J5021845F0000-IL
 Q 727 J5000992F0050-IL
 D 710 UDZS5R1(B)
 D 721,722 K005041480020-IL

MISCELLANEOUS

CN 770 CN.WAFER 2.0MM L101100030510-IL
 CN 771 CONNECTOR(4P) L101100030410-IL

RESISTORS

All Resistors RS1/10SR###J

CAPACITORS

C 712,750 CEAT101M10

Q PROTECTION R-CH ASSY

SEMICONDUCTORS

Q 724,729,742 J5021845F0000-IL
 Q 733 J5000992F0050-IL
 D 709 UDZS5R1(B)
 D 719,720 K005041480020-IL

MISCELLANEOUS

CN 772,773 CONNECTOR(4P) L101100030410-IL

RESISTORS

All Resistors RS1/10SR###J

CAPACITORS

C 716,749 CEAT101M10

R SPEAKER L-CH ASSY

(A-A6MK2-K, SX-A6MK2-K)

MISCELLANEOUS

Mark	No.	Description	Part No.
	JA 701	TER,BOARD SCREW 2P	G611202HWG01Y-IL
	CN 911	CN,WIRE	L000101030230-IL



SPEAKER R-CH ASSY

(A-A6MK2-K, SX-A6MK2-K)

MISCELLANEOUS

JA 702	TER,BOARD SCREW 2P	G611202HWG01Y-IL
CN 912	CN,WIRE	L000101030230-IL

FM/AM TUNER UNIT

(SX-A9MK2-K, SX-A6MK2-K)

FM/AM TUNER UNIT has no service part.