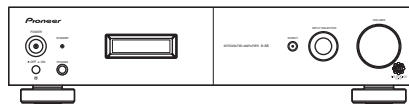


# Service Manual



A-A9-J

ORDER NO.  
**RRV3515**

**INTEGRATED AMPLIFIER**

# A-A9-J

## A-A6-J

**THIS MANUAL IS APPLICABLE TO THE FOLLOWING MODEL(S) AND TYPE(S).**

Model	Type	Power Requirement	Remarks
A-A9-J	MYXCN5	AC 220 V to 230 V	
A-A6-J	MYXCN5	AC 220 V to 230 V	



For details, refer to "Important Check Points for good servicing".

# SAFETY INFORMATION



This service manual is intended for qualified service technicians; it is not meant for the casual do-it-yourselfer. Qualified technicians have the necessary test equipment and tools, and have been trained to properly and safely repair complex products such as those covered by this manual.

Improperly performed repairs can adversely affect the safety and reliability of the product and may void the warranty. If you are not qualified to perform the repair of this product properly and safely, you should not risk trying to do so and refer the repair to a qualified service technician.

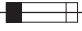
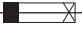
## WARNING

This product contains lead in solder and certain electrical parts contain chemicals which are known to the state of California to cause cancer, birth defects or other reproductive harm.

Health & Safety Code Section 25249.6 – Proposition 65

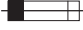

## NOTICE

(FOR CANADIAN MODEL ONLY)

Fuse symbols  (fast operating fuse) and/or  (slow operating fuse) on PCB indicate that replacement parts must be of identical designation.

## REMARQUE

(POUR MODÈLE CANADIEN SEULEMENT)

Les symboles de fusible  (fusible de type rapide) et/ou  (fusible de type lent) sur CCI indiquent que les pièces de remplacement doivent avoir la même désignation.

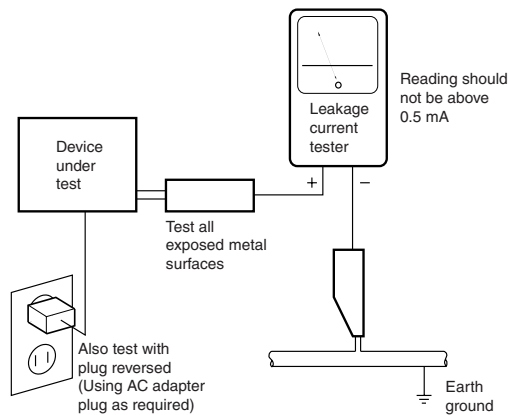
## (FOR USA MODEL ONLY)

### 1. SAFETY PRECAUTIONS

The following check should be performed for the continued protection of the customer and service technician.

#### LEAKAGE CURRENT CHECK

Measure leakage current to a known earth ground (water pipe, conduit, etc.) by connecting a leakage current tester such as Simpson Model 229-2 or equivalent between the earth ground and all exposed metal parts of the appliance (input/output terminals, screwheads, metal overlays, control shaft, etc.). Plug the AC line cord of the appliance directly into a 120V AC 60 Hz outlet and turn the AC power switch on. Any current measured must not exceed 0.5 mA.



AC Leakage Test

**ANY MEASUREMENTS NOT WITHIN THE LIMITS OUTLINED ABOVE ARE INDICATIVE OF A POTENTIAL SHOCK HAZARD AND MUST BE CORRECTED BEFORE RETURNING THE APPLIANCE TO THE CUSTOMER.**

### 2. PRODUCT SAFETY NOTICE

Many electrical and mechanical parts in the appliance have special safety related characteristics. These are often not evident from visual inspection nor the protection afforded by them necessarily can be obtained by using replacement components rated for voltage, wattage, etc. Replacement parts which have these special safety characteristics are identified in this Service Manual.

Electrical components having such features are identified by marking with a  $\Delta$  on the schematics and on the parts list in this Service Manual.

The use of a substitute replacement component which does not have the same safety characteristics as the PIONEER recommended replacement one, shown in the parts list in this Service Manual, may create shock, fire, or other hazards.

Product Safety is continuously under review and new instructions are issued from time to time. For the latest information, always consult the current PIONEER Service Manual. A subscription to, or additional copies of, PIONEER Service Manual may be obtained at a nominal charge from PIONEER.

## LITHIUM BATTERY NOTICE

### CAUTION

Danger of explosion if battery is incorrectly replaced. Replace only with the same or equivalent type recommended by the manufacturer. Discard used batteries according to the manufacturer's instructions.

When replacing the lithium batteries, follow the note below. Dispose of the used battery promptly. Keep away from children. Do not disassemble and do not dispose of in fire.

The battery used in this device may present a fire or chemical hazard if mistreated. Do not recharge, disassemble, heat above 100°C or incinerate. Replace only with the same Part Number. Use of another battery may present a risk of fire or explosion.

Note : The lithium battery installation position is shown in the exploded views.

A

B

C

D

E

F

## [Important Check Points for Good Servicing]

In this manual, procedures that must be performed during repairs are marked with the below symbol. Please be sure to confirm and follow these procedures.

### 1. Product safety



Please conform to product regulations (such as safety and radiation regulations), and maintain a safe servicing environment by following the safety instructions described in this manual.

- ① Use specified parts for repair.

Use genuine parts. Be sure to use important parts for safety.

- ② Do not perform modifications without proper instructions.

Please follow the specified safety methods when modification (addition/change of parts) is required due to interferences such as radio/TV interference and foreign noise.

- ③ Make sure the soldering of repaired locations is properly performed.

When you solder while repairing, please be sure that there are no cold solder and other debris. Soldering should be finished with the proper quantity. (Refer to the example)

- ④ Make sure the screws are tightly fastened.

Please be sure that all screws are fastened, and that there are no loose screws.

- ⑤ Make sure each connectors are correctly inserted.

Please be sure that all connectors are inserted, and that there are no imperfect insertion.

- ⑥ Make sure the wiring cables are set to their original state.

Please replace the wiring and cables to the original state after repairs. In addition, be sure that there are no pinched wires, etc.

- ⑦ Make sure screws and soldering scraps do not remain inside the product.

Please check that neither solder debris nor screws remain inside the product.

- ⑧ There should be no semi-broken wires, scratches, melting, etc. on the coating of the power cord.

Damaged power cords may lead to fire accidents, so please be sure that there are no damages. If you find a damaged power cord, please exchange it with a suitable one.

- ⑨ There should be no spark traces or similar marks on the power plug.

When spark traces or similar marks are found on the power supply plug, please check the connection and advise on secure connections and suitable usage. Please exchange the power cord if necessary.

- ⑩ Safe environment should be secured during servicing.

When you perform repairs, please pay attention to static electricity, furniture, household articles, etc. in order to prevent injuries. Please pay attention to your surroundings and repair safely.

### 2. Adjustments



To keep the original performance of the products, optimum adjustments and confirmation of characteristics within specification. Adjustments should be performed in accordance with the procedures/instructions described in this manual.

### 3. Lubricants, Glues, and Replacement parts



Use grease and adhesives that are equal to the specified substance. Make sure the proper amount is applied.

### 4. Cleaning



For parts that require cleaning, such as optical pickups, tape deck heads, lenses and mirrors used in projection monitors, proper cleaning should be performed to restore their performances.

### 5. Shipping mode and Shipping screws



To protect products from damages or failures during transit, the shipping mode should be set or the shipping screws should be installed before shipment. Please be sure to follow this method especially if it is specified in this manual.

# CONTENTS

1. SPECIFICATIONS .....	6	
2. EXPLODED VIEWS AND PARTS LIST .....	7	
2.1 A-A9 model .....	7	A
2.1.1 PACKING (A-A9) .....	7	
2.1.2 EXTERIOR (A-A9).....	8	
2.2 A-A6 model .....	11	
2.2.1 PACKING (A-A6) .....	11	
2.2.2 EXTERIOR (A-A6).....	12	
3. BLOCK DIAGRA AND SCHEMATIC DIAGRAM .....	16	
3.1 OVERALL BLOCK DIAGRAM .....	16	
3.2 OVERALL WIRING DIAGRAM .....	18	
3.3 FUNCTION and HEADPHONE ASSYS .....	20	
3.4 FRONT, MOTOR VR, REMOCON, STATION, POWER LED and VR ASSYS .....	22	
3.5 XM-READY/USB ASSY .....	24	B
3.6 AMP LCH, AMP RCH, PROTECTION L-CH and PROTECTION R-CH ASSYS .....	26	
3.7 REG IC, SUB TRANS, POWER SW and POWER ASSYS .....	28	
4. PCB CONNECTION DIAGRAM .....	30	
4.1 SUB TRANS and POWER SW ASSYS .....	31	
4.2 FANCTION and HEADPHONE ASSYS.....	32	
4.3 FRONT, REMOCON, POWER LED and VR ASSYS.....	34	
4.4 STATION and MOTOR VR ASSYS .....	36	
4.5 XM-READY/USB ASSY .....	38	
4.6 AMP LCH, PROTECTION L-CH and SPEAKER L-CH ASSY .....	40	
4.7 AMP RCH, PROTECTION R-CH and SPEAKER R-CH ASSY .....	42	
4.8 REG IC and POWER ASSYS .....	44	C
5. PCB PARTS LIST .....	46	
6. ADJUSTMENT .....	54	
7. GENERAL INFORMATION .....	55	
7.1 TROUBLE SHOOTIG.....	55	
7.2 SPECIFICATION OF PROTECTIVE OPERATION .....	56	
7.3 DISCHARGE OF POWER AMPLIFIER.....	56	
7.4 PCB LOCATION .....	57	
7.5 DISASSEMBLY .....	58	
7.6 IC INFORMATION .....	62	
8. PANEL FACILITIES .....	66	D

# 1. SPECIFICATIONS

## Amplifier section

A Power output specification is for when power supply is 230V.

### Continuous power output

(both channels driven at 20 Hz to 20 kHz)

THD 0.2%.....	60 W + 60 W	: A6 model
THD 0.2%.....	45 W + 45 W	: A6 model
THD 0.2%.....	70 W + 70 W	: A9 model
THD 0.2%.....	55 W + 55 W	: A9 model

### DIN Continuous power output (both channels driven at 1 kHz)

THD 1.0%, 4Ω.....	60 W + 60 W	: A6 model
THD 1.0%, 8Ω.....	45 W + 45 W	: A6 model
THD 1.0%, 4Ω.....	73 W + 73 W	: A9 model
THD 1.0%, 8Ω.....	53 W + 53 W	: A9 model

## B Total harmonic distortion\*\*

20 Hz to 20 kHz, 25 W, 8Ω.....	0.05%*
--------------------------------	--------

\* Measured with DIRECT button switched on.

\*\* Measured by Audio Spectrum Analyzer

## Audio section

### Input (Sensitivity/Impedance)

CD, TAPE, TUNER, AUX.....	200 mV/47 kΩ
PHONO (MM).....	2.8 mV/47 kΩ
PHONO (MC).....	0.3 mV/100 kΩ : A9 model

### Frequency Response

CD, TAPE, TUNER, AUX.....	5 Hz to 100 kHz <sup>+0</sup> <sub>-3</sub> dB
PHONO (MM).....	20 Hz to 20 kHz ± 0.2 dB
PHONO (MC).....	20 Hz to 20 kHz ± 0.3 dB : A9 model

### PHONO (MM) overload level

1 kHz, THD 0.2%.....	60 mV
----------------------	-------

### PHONO (MC) overload level

1 kHz, THD 0.2%.....	6 mV : A9 model
----------------------	-----------------

### Output (Level/Impedance)

TAPE REC.....	200 mV/1 kΩ
---------------	-------------

### Tone Control

Bass.....	±10 dB (100 Hz)
Treble.....	±10 dB (10 kHz)

### Signal-to-Noise Ratio

CD, TAPE, TUNER, AUX (200 mV input).....	103 dB
PHONO (MM, 5 mV input).....	80 dB
PHONO (MC, 0.2 mV input).....	70 dB : A9 model

### Signal-to-Noise Ratio (DIN, continuous power/50 mW)

CD, TAPE, TUNER, AUX.....	91 dB/65 dB
PHONO (MM, 5 mV input).....	68 dB/60 dB
PHONO (MC, 0.2 mV input).....	62 dB/57 dB : A9 model

## Miscellaneous

### E Power requirement

.....	AC 220 V to 230 V, 50 Hz/60 Hz
Power Consumption.....	140 W : A6 model
In standby.....	0.5 W : A6 model
Power Consumption.....	200 W : A9 model
In standby.....	0.6 W : A9 model
Weight (without package).....	1.0 kg : A6 model
Weight (without package).....	1.5 kg : A9 model
Dimensions.....	420 mm (W) × 100 mm (H) × 359 mm (D) : A6 model
Dimensions.....	420 mm (W) × 100 mm (H) × 369 mm (D) : A9 model

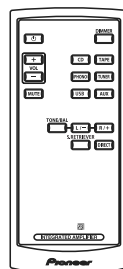
## Furnished parts

Remote control.....	1
Lithium battery (CR2025).....	1
Power cable.....	1
Warranty card.....	1
Operating instructions.....	1

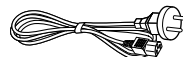
Specifications and the design are subject to possible modifications without notice, due to improvements.

## ● Accessories



- Remote Control Unit  
(A-A9-J : 8300746900010-IL)  
(A-A6-J : 8300747200010-IL)
- Lithium Battery  
(CR2025)



- Power Cable  
(L068250160020-IL)

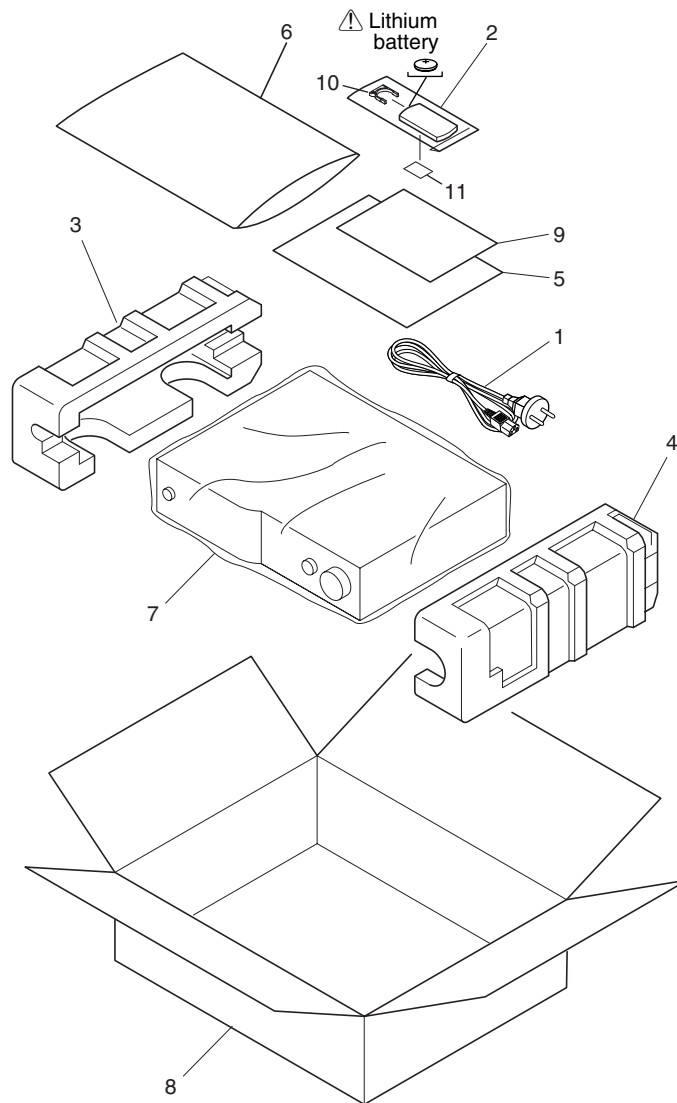


## 2. EXPLODED VIEWS AND PARTS LIST


- NOTES:**
- Parts marked by "NSP" are generally unavailable because they are not in our Master Spare Parts List.
  - The  mark found on some component parts indicates the importance of the safety factor of the part. Therefore, when replacing, be sure to use parts of identical designation.
  - Screws adjacent to  mark on product are used for disassembly.
  - For the applying amount of lubricants or glue, follow the instructions in this manual. (In the case of no amount instructions, apply as you think it appropriate.)

### 2.1 A-A9 model

#### 2.1.1 PACKING (A-A9)



#### PACKING (A-A9)

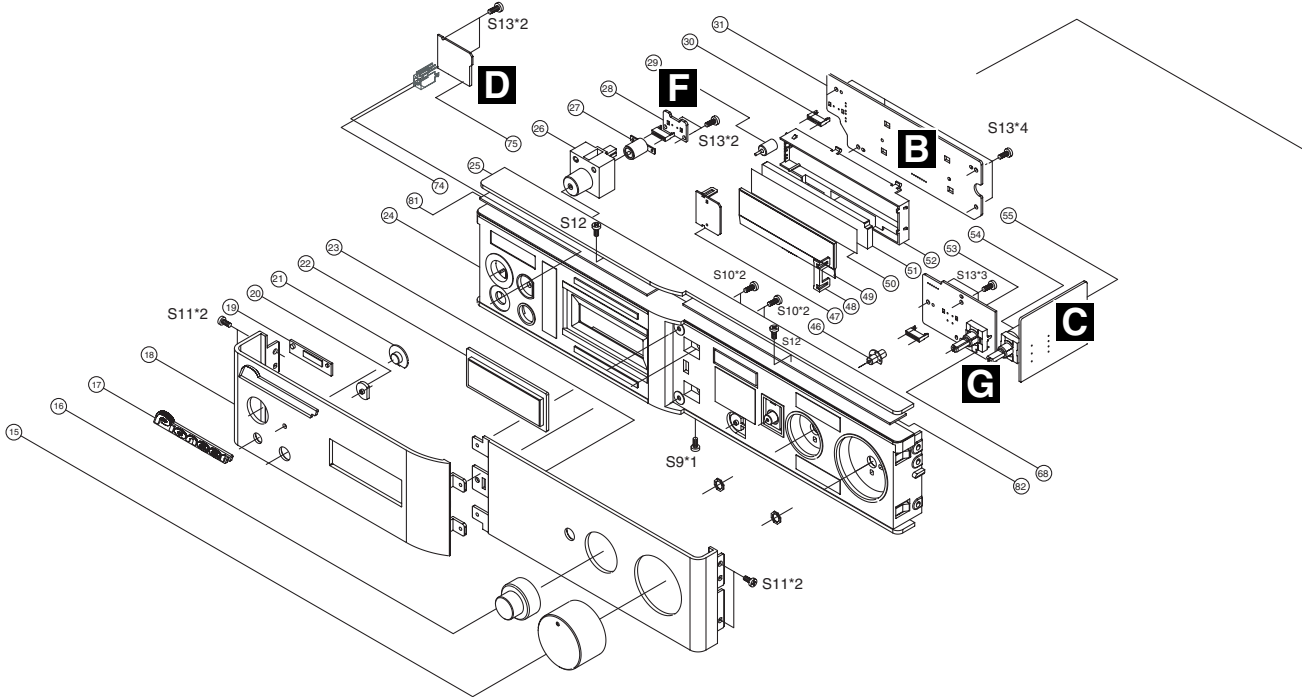
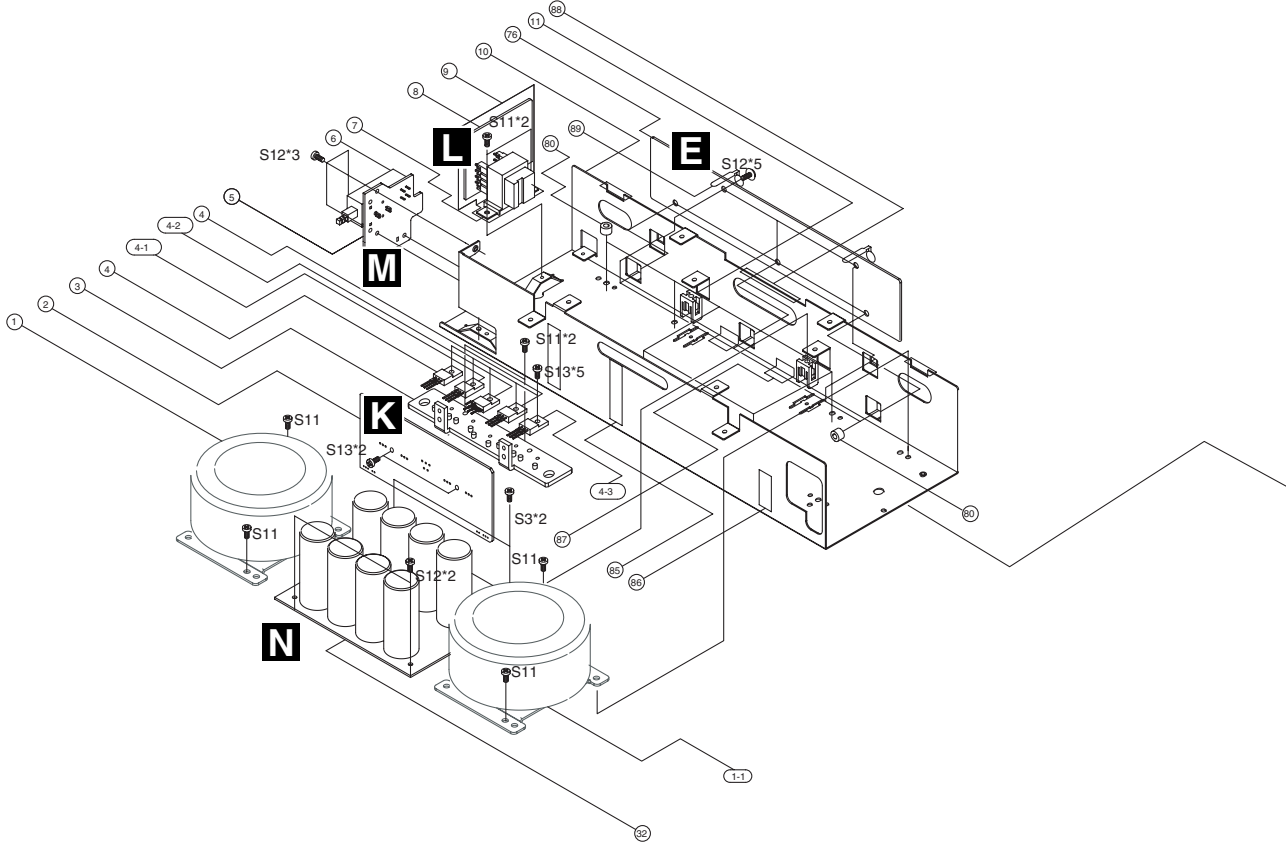
Mark No.	Description	Part No.	Mark No.	Description	Part No.
 1	POWER CABLE	L068250160020-IL	10	BATTERY COVER B	AZN8024
2	REMOTE CONTROL	8300746900010-IL	11	LABEL (WEEE)	ARW7322
3	CUSHION,SNOW L	6230211534000-IL			
4	CUSHION,SNOW R	6230211544000-IL			
5	OPERATING INSTRUCTIONS (English/French/German/Dutch/Italian/Spanish)	5707000000170-IL			
NSP 6	POLY BAG	6337000240010-IL			
7	PE,SHEET	6327040022012-IL			
8	BOX,GIFT	6007210940010-IL			
NSP 9	WARRANTY CARD	ARY7065			

1 2 3 4

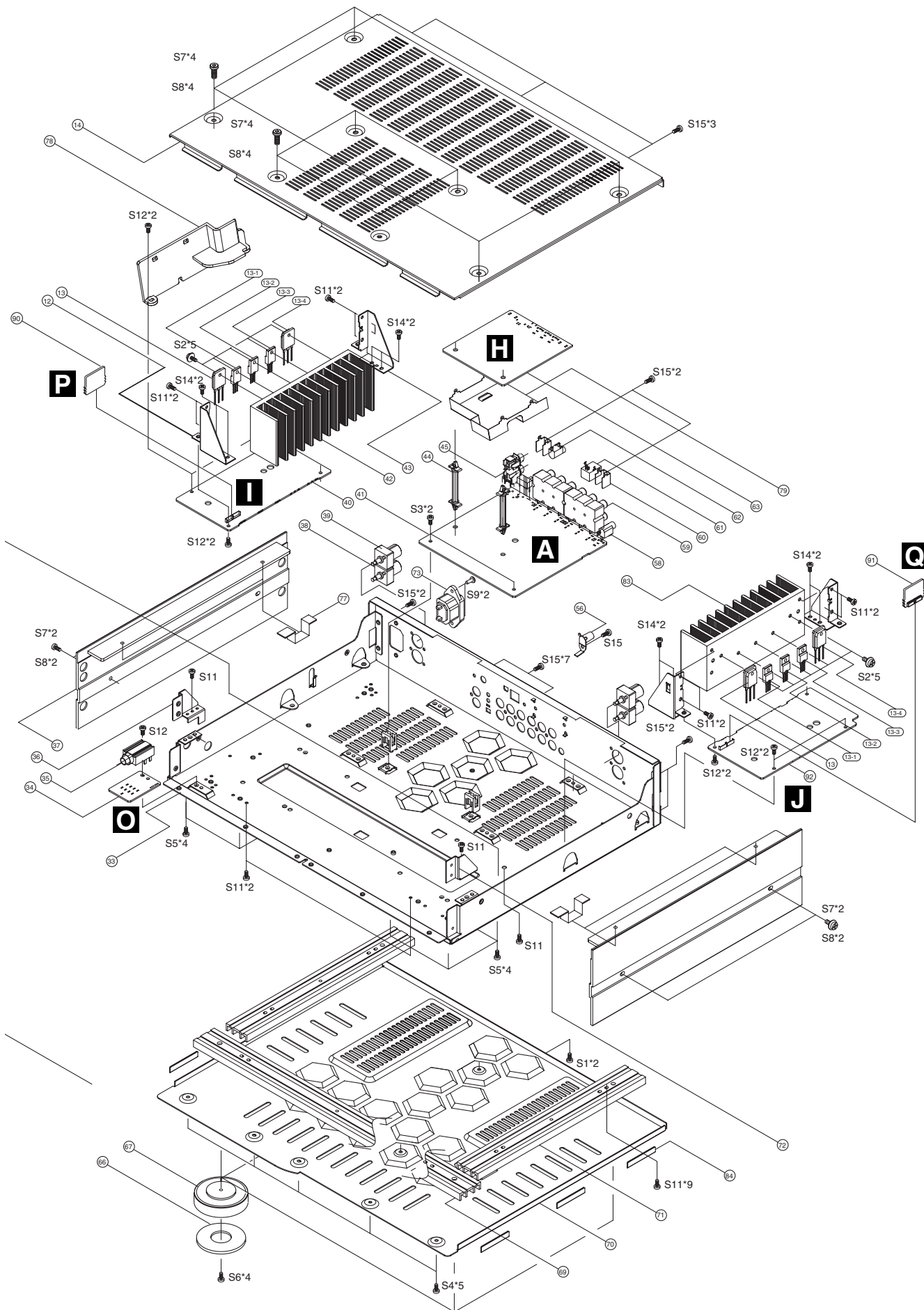
## 2.1.2 EXTERIOR (A-A9)

A

### • A-A9 model





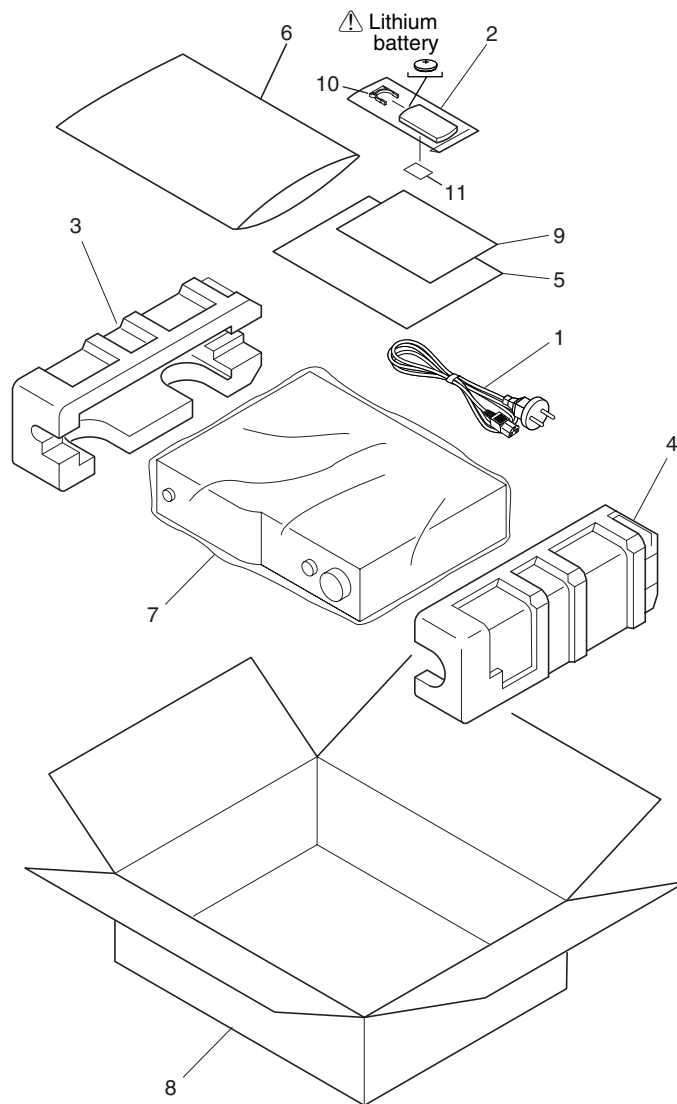


A-A9-J

## • EXTERIOR (A-A9)

	<u>Mark No.</u>	<u>Description</u>	<u>Part No.</u>	<u>Mark No.</u>	<u>Description</u>	<u>Part No.</u>
	⚠ 1	POWER TRANS L	8200900550010-IL			
A	⚠ 1-1	POWER TRANS R	8200900550060-IL	55	MOTOR VR Assy	7028065355060-IL
	2	REG IC Assy	7028065471020-IL	56	TERMINAL GROUND	3790000090000-IL
	3	HEAT SINK TR	2120211008000-IL	59	JACK RCA 6PIN	G603617AG04GY-IL
	4	IC,REG	J126781200040-IL	60	SHIELD PLATE GROUND	3070045526010-IL
	4-1	IC,REG	J126791200060-IL	61	CN,PLUG CONTACT	G480670680010-IL
	5	POWER SW Assy	7028065357060-IL	62	EARPHONE JACK	G40130802000Y-IL
	6	S/W POWER	VSA1005	63	XM-READY/USB Assy	7028065362060-IL
	7	TRANS SUB	8200280150330-IL	66	FELT FOOT CAST	2690210119000-IL
	8	SUB TRANS Assy	702806535A060-IL	67	FOOT CAST	4007210408000-IL
	9	PLATE SUB TRANS	4470211012000-IL	68	ENCODER SW	G121162400050-IL
	10	BRACKER TRANS	4010212736000-IL	69	BAR BOTTOM FRONT	1040000018000-IL
B	11	SUPPORT PCB	4070001601010-IL	70	COVER BOTTOM	4317212946000-IL
	12	BRACKER HEAT SINK L	4010212716000-IL	71	BAR BOTTOM SIDE	1040000028000-IL
	⚠ 13	SEMI,TR	J5001386A0010-IL	72	BRACKET FRAME R	4010212706000-IL
	⚠ 13-1	SEMI,TR	2SA1859A	73	AC INLET	G430019090010-IL
	⚠ 13-2	SEMI,TR	J5024137V0130-IL	74	MODULE	E940633800000-IL
	⚠ 13-3	SEMI,TR	ASC4883A	75	REMOCON Assy	7028065356060-IL
	⚠ 13-4	SEMI,TR	J5023519A0010-IL	76	STATION Assy	7028065461020-IL
	14	CABINET TOP COVER	3007210786000-IL	77	HOLDER CHIP	4320210591000-IL
	15	KNOB VOLUME	5088211378000-IL	78	HOLDER INLET CORD	4320210601000-IL
	16	KNOB INPUT	5088211368000-IL	79	SHIELD PLATE USB	3070210286000-IL
	17	BADGE	VAM1124	80	CUSHION SCREW	4050211205000-IL
C	18	PANEL FRONT L	3067212778000-IL	NSP 81	TAPE PLATE TOP(E)	1220210299000-IL
	19	GUIDE BADGE	4357210221000-IL	NSP 82	TAPE PLATE TOP(F)	1220210309000-IL
	20	GUIDE LENS	4357210241000-IL	NSP 83	HEAT SINK MAIN R	2120211048000-IL
	21	LENS REMOCON	3710210683000-IL	84	CUSHION SIDE PANEL	4050211725000-IL
	22	WINDOW DISPLAY	5070212303000-IL	NSP 85	ACETAPE(15*80)	1220210059070-IL
	23	PANEL FRONT R	3067212798000-IL	NSP 86	ACETAPE(15*45)	1220210059050-IL
	24	FRAME PANEL	3217211301000-IL	NSP 87	ACETAPE(33*50)	1220210319000-IL
	25	PLATE TOP	4477211028000-IL	NSP 88	ACETAPE(15*110)	1220210059000-IL
	26	KNOB POWER	5087211391000-IL	89	BAR BOTTOM FRONT	4330210062000-IL
	27	LENS POWER	3710210673000-IL	90	PROTECTION L-CH ASSY	7028065363010-IL
	28	POWER LED Assy	7028065358060-IL	91	PROTECTION R-CH ASSY	7028065364010-IL
D	29	LENS STAND BY	3710210693000-IL	92	AMP RCH ASSY	7028065352010-IL
	30	STOPPER LED	4380210081000-IL	S1	SCREW (+2S 3*8 B-TYPE BK/BH)	B020030083B10-IL
	31	FRONT Assy	7028065354060-IL	S2	SCREW (+2S 3*14 P+S-WASHER ZNY/HH )	B018230141H11-IL
	32	POWER Assy	7025065353060-IL	S3	SCREW (+2S 3*17 B-TYPE ZNY/BH)	B020030171B10-IL
NSP	33	CHASSIS MAIN & BACK	3207212016200-IL	S4	SCREW (+2S 3*17 B-TYPE BK/BH)	B020030173B10-IL
	34	HEADPHONE Assy	702806535B060-IL	S5	SCREW (+2S 4*10 ZNY/HH)	B028940101B10-IL
	35	JACK PHONE	G402PJ612AG0Y-IL	S6	SCREW (+3S 4*27 S-TYPE BK/BH)	B020740273B10-IL
	36	BRACKET FRAEM L	4010212696000-IL	S7	SCREW (+2S 4*10 B-TYPE CR-PLATE)	1500040103P41-IL
	37	PANEL SIDE	3067212818000-IL	S9	SCREW (+2S 3*8 B-TYPE FH/CU)	B020030086F10-IL
	38	TER,BOARD SCREW(BK)	G610040300000-IL	S10	SCREW (+2S 3*10 B-TYPE BH/CU)	B020030106B10-IL
	39	TER,BOARD SCREW(RD)	G610040310000-IL	S11	SCREW (+2S 3*8 B-TYPE(DOT) BH/CU)	B020030086B11-IL
E	40	AMP LCH Assy	7028065351010-IL	S12	SCREW (+2S 3*8 B-TYPE WASHER BH/CU)	B028030086B10-IL
	41	FUNCTION Assy	7028065361060-IL	S13	SCREW (+2S 3*8 B-TYPE BH/CU)	B020030086B10-IL
NSP	42	HEAT SINK MAIN L	2120210998000-IL	S14	SCREW (+2S 3*6 B-TYPE BH/CU)	B020030066B10-IL
	43	BRACKER HEAT SINK R	4010212726000-IL	S15	SCREW (+3S 3*10 B-T(DOT) BH/CU))	B020030106B11-IL
	44	SPACER SUPPORT	4300210023000-IL			
	45	JACK RCA 2PIN	7028065355060-IL			
	46	LENS DIRECTY	3710210663000-IL			
	47	COVER LCD L	4310212951000-IL			
	48	COVER LCD R	4310212961000-IL			
	49	LCD DISPLAY	AAV7111			
	50	SHEET LCD DIFFUSION	1210210382000-IL			
F	51	WINDOW RAT LCD	5070212313000-IL			
	52	HOUSING LCD	3050210051000-IL			
	53	VR Assy	7028065359060-IL			
	54	ROTARY MOTOR	C495121400350-IL			

2.2 A-A6 model  
2.2.1 PACKING (A-A6)



• PACKING (A-A6)

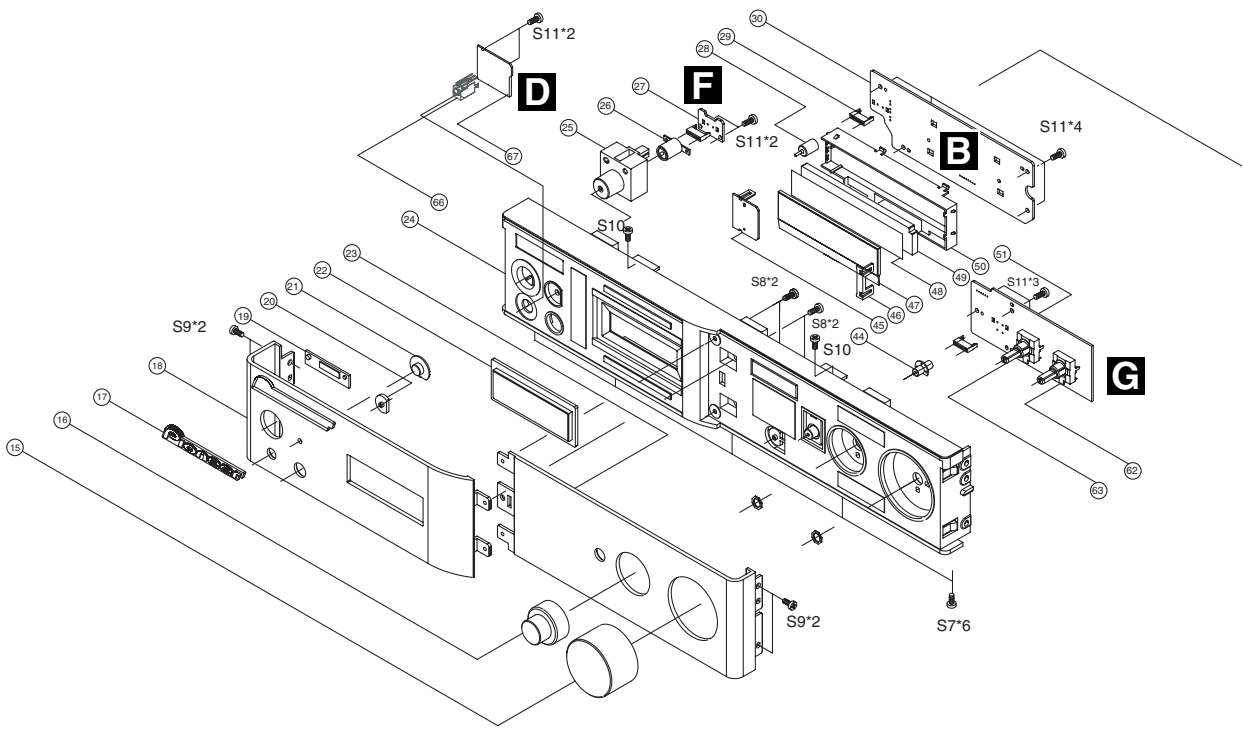
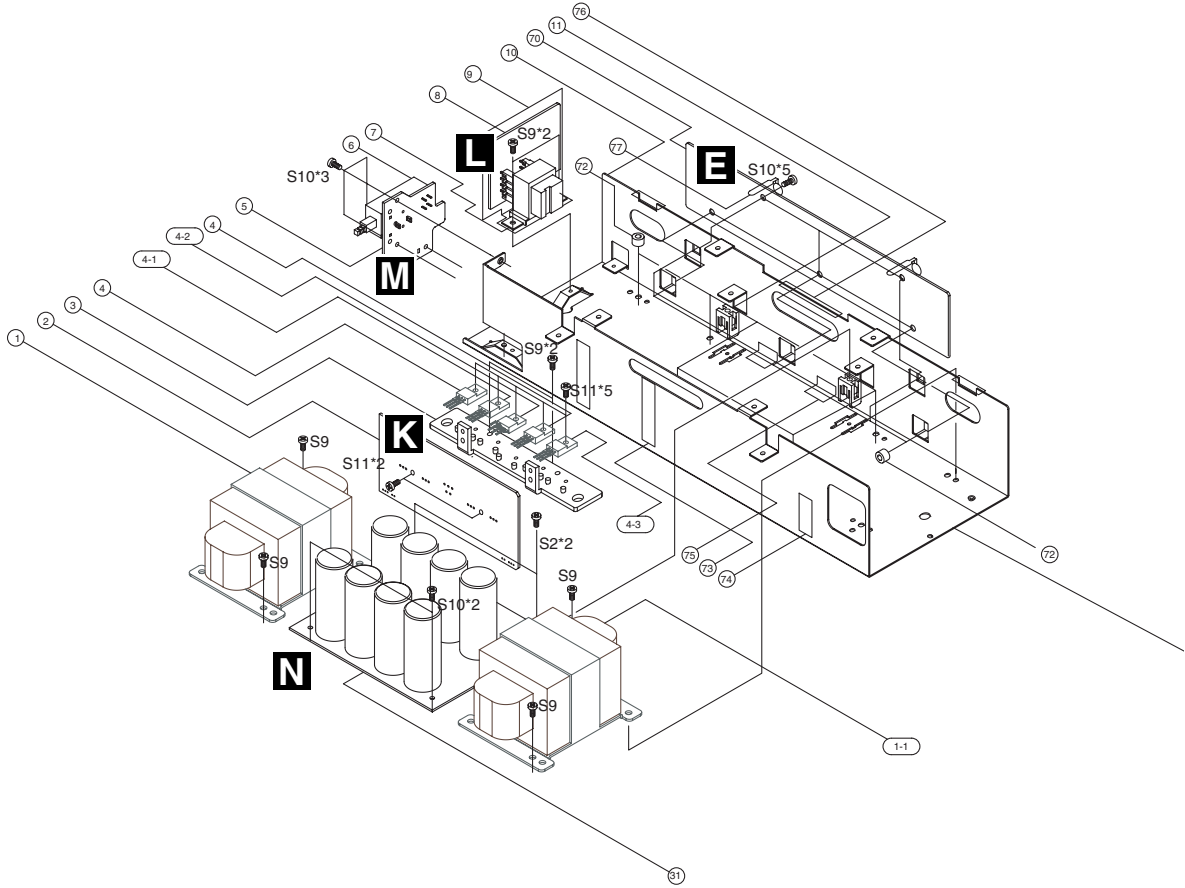
Mark No.	Description	Part No.
⚠ 1	POWER CABLE	L068250160020-IL
2	REMOTE CONTROL	8300747200010-IL
3	CUSHION,SNOW L	6230211514000-IL
4	CUSHION,SNOW R	6230211524000-IL
5	OPERATING INSTRUCTIONS (English/French/German/Dutch/Italian/Spanish)	5707000000120-IL
NSP 6	POLY BAG	6337000240010-IL
7	PE,SHEET	6327040022012-IL
8	BOX,GIFT	6007210930010-IL
NSP 9	WARRANTY CARD	ARY7065
10	BATTERY COVER B	AZN8024
11	LABEL (WEEE)	ARW7322

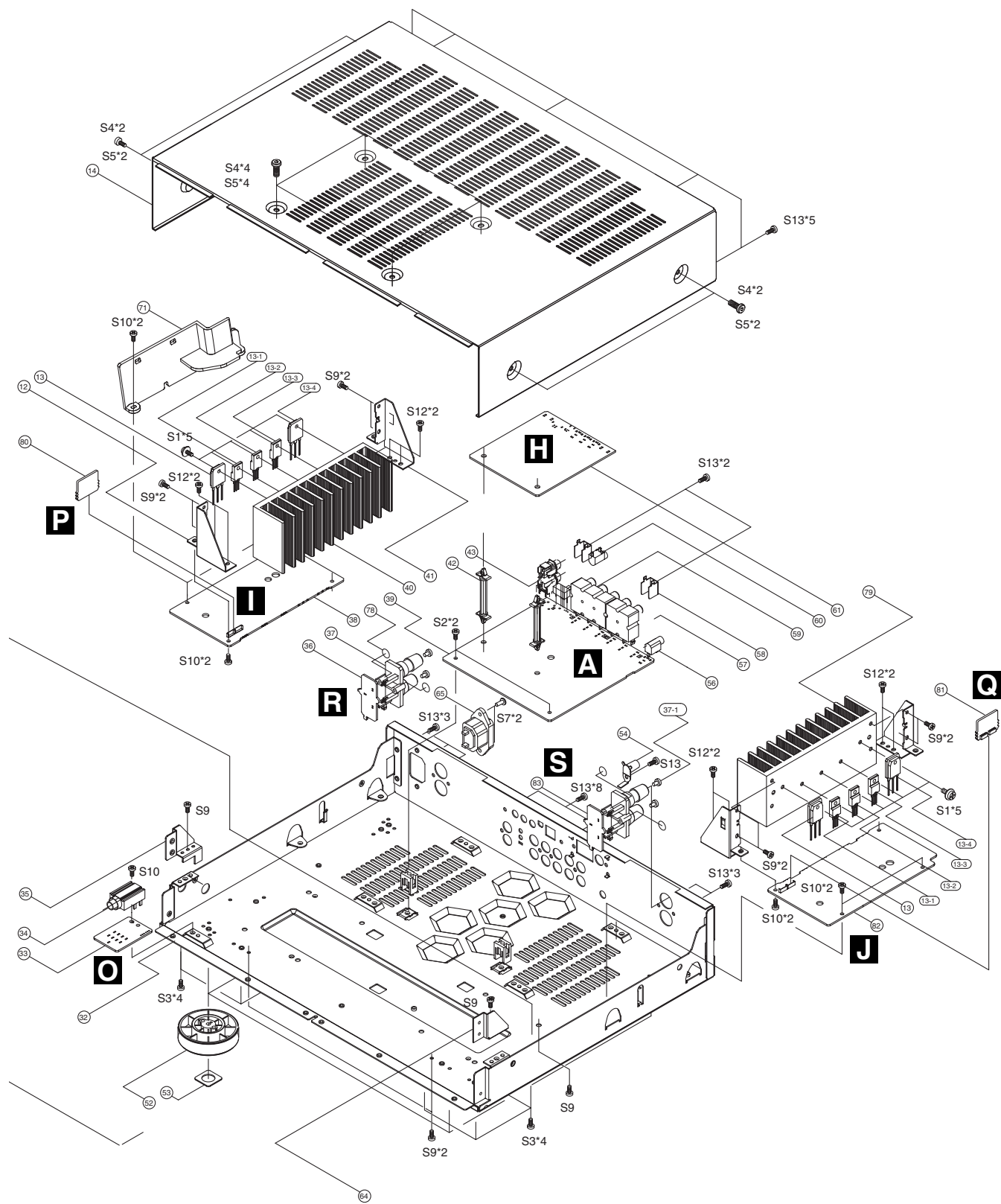
1 2 3 4

## 2.2.2 EXTERIOR (A-A6)

A

### • A-A6 model





## • EXTERIOR (A-A6)

	<u>Mark No.</u>	<u>Description</u>	<u>Part No.</u>	<u>Mark No.</u>	<u>Description</u>	<u>Part No.</u>
	⚠ 1	TRANS MAIN L	8200660550340-IL	49	WINDOW RAT LCD	5070212313000-IL
A	⚠ 1-1	TRANS MAIN R	8200660550390-IL	50	HOUSING LCD	3050210051000-IL
	2	REG IC Assy	7028065471010-IL	51	VR Assy	7028065359010-IL
	3	HEAT SINK TR	2120211008000-IL	52	FOOT	4000210391000-IL
	4	IC,REG	J126781200040-IL	53	CUSHION FOOT	4050211605000-IL
	4-1	IC,REG	J126791200060-IL	54	TERMINAL GROUND	3790000090000-IL
	5	POWER SW Assy	7028065357010-IL	57	JACK RCA 6PIN	G602617AG020Y-IL
	6	S/W POWER	VSA1005	58	SHIELD PLATE GROUND	3070045526010-IL
	7	TRANS SUB	8200280150330-IL	59	RCA JACK 6PIN	G603617AG04GY-IL
	8	SUB TRANS Assy	702806535A010-IL	60	EARPHONE JACK	G40130802000Y-IL
	9	PLATE SUB TRANS	4470211012000-IL	61	XM-READY/USB Assy	7028065362010-IL
B	10	BRACKER TRANS	4010212736000-IL	62	ENCODER, SW/ VOLUME	G121162401200-IL
	11	SUPPORT PCB	4070001601010-IL	63	ENCODER, SW/ INPUT	G121162400050-IL
	12	BRACKER HEAT SINK L	4010212716000-IL	64	BRACKET FRAME R	4010212706000-IL
	⚠ 13	SEMI,TR	J5001386A0010-IL	65	AC INLET	G430019090010-IL
	⚠ 13-1	SEMI,TR	2SA1859A	66	MODULE	E940633800000-IL
	⚠ 13-2	SEMI,TR	J5024137V0130-IL	67	REMOCON Assy	7028065356010-IL
	⚠ 13-3	SEMI,TR	2SC4883A	70	STATION Assy	7028065461010-IL
	⚠ 13-4	SEMI,TR	J5023519A0010-IL	71	HOLDER INLET CORD	4320210601000-IL
	14	CABINET TOP COVER	3007210796000-IL	72	CUSHION SCREW	4050211205000-IL
	15	KNOB VOLUME	5088211388000-IL	NSP 73	ACETAPE(15*80)	1220210059070-IL
	16	KNOB INPUT	5088211368000-IL	NSP 74	ACETAPE(15*45)	1220210059050-IL
C	17	BADGE	VAM1124	NSP 75	ACETAPE(33*50)	1220210319000-IL
	18	PANEL FRONT L	3067212788000-IL	NSP 76	ACETAPE(15*110)	1220210059000-IL
	19	GUIDE BADGE	4357210221000-IL	77	CLAMP RETAINER COIL	4330210062000-IL
	20	GUIDE LENS	4357210241000-IL	NSP 78	CUSHION CAP SCREW	4050211745000-IL
	21	LENS REMOCON	3710210683000-IL	NSP 79	HEAT SINK MAIN R	2120211048000-IL
	22	WINDOW DISPLAY	5070212303000-IL	80	PROTECTION L-CH ASSY	7028065363010-IL
	23	PANEL FRONT R	3067212808000-IL	81	PROTECTION R-CH ASSY	7028065364010-IL
	24	FRAME PANEL	3217211311000-IL	82	AMP RCH ASSY	7028065352010-IL
	25	KNOB POWER	5087211391000-IL	83	SPAKER R-CH Assy	7028065463010-IL
D	26	LENS POWER	3710210673000-IL	S1	SCREW	B020030083B10-IL
	27	POWER LED Assy	7028065358010-IL		(+2S 3*8 B-TYPE BK/BH)	
	28	LENS STAND BY	3710210693000-IL	S2	SCREW	B018230141H11-IL
	29	STOPPER LED	4380210081000-IL		(+2S 3*14 P+S-WASHER ZNY/HH)	
	30	FRONT Assy	7028065354010-IL	S3	SCREW	B020030171B10-IL
	31	POWER Assy	7025065353010-IL		(+2S 4*10 ZNY/HH)	
	NSP 32	CHASSIS MAIN & BACK	3207212016000-IL	S4	SCREW	B020030173B10-IL
	33	HEADPHONE Assy	702806535B060-IL		(1500040103P41S)	
	34	JACK PHONE	G402PJ612AG0Y-IL	S5	SCREW	B028940101B10-IL
	35	BRACKET FRAEM L	4010212696000-IL		(1500040104P41S)	
E	36	SPAKER L-CH Assy	7028065462010-IL	S6	SCREW	B020740273B10-IL
	37	JACK SPEAKER	G611202H0100Y-IL		(+3S 4*17 S-TYPE BK/BH)	
	37-1	BUSHING TREMINAL	2410040353010-IL	S7	SCREW	B020030086F10-IL
	38	AMP LCH Assy	7028065351010-IL		(+2S 3*8 B-TYPE FH/CU)	
	39	FUNCTION Assy	7028065361010-IL	S8	SCREW	B020030106B10-IL
	NSP 40	HEAT SINK MAIN L Assy	2120210998000-IL		(+2S 3*10 B-TYPE BH/CU)	
	41	BRACKER HEAT SINK R	4010212726000-IL	S9	SCREW	B020030086B11-IL
	42	SPACER SUPPORT	4300210023000-IL		(+2S 3*8 B-TYPE(DOT) BH/CU)	
	43	JACK RCA 2PIN	G601207BG020Y-IL	S10	SCREW	B028030086B10-IL
	44	LENS DIRECT	3710210663000-IL		(+2S 3*8 B-TYPE WASHER BH/CU)	
F	45	COVER LCD L	4310212951000-IL	S11	SCREW	B020030086B10-IL
	46	COVER LCD R	4310212961000-IL		(+2S 3*8 B-TYPE BH/CU)	
	47	LCD DISPLAY	AAV7111	S12	SCREW	B020030066B10-IL
	48	SHEET LCD DIFFUSION	1210210382000-IL		(+2S 3*6 B-TYPE BH/CU)	
				S13	SCREW	B020030106B11-IL
					(+3S 3*10 B-T(DOT) BH/CU))	

■

5

■

6

■

7

■

8

■

A

■

B

■

C

■

D

■

E

■

F

■

5

■

6

A-A9-J

■

7

■

8

15

■

# 3. BLOCK DIAGRA AND SCHEMATIC DIAGRAM

## 3.1 OVERALL BLOCK DIAGRAM

A

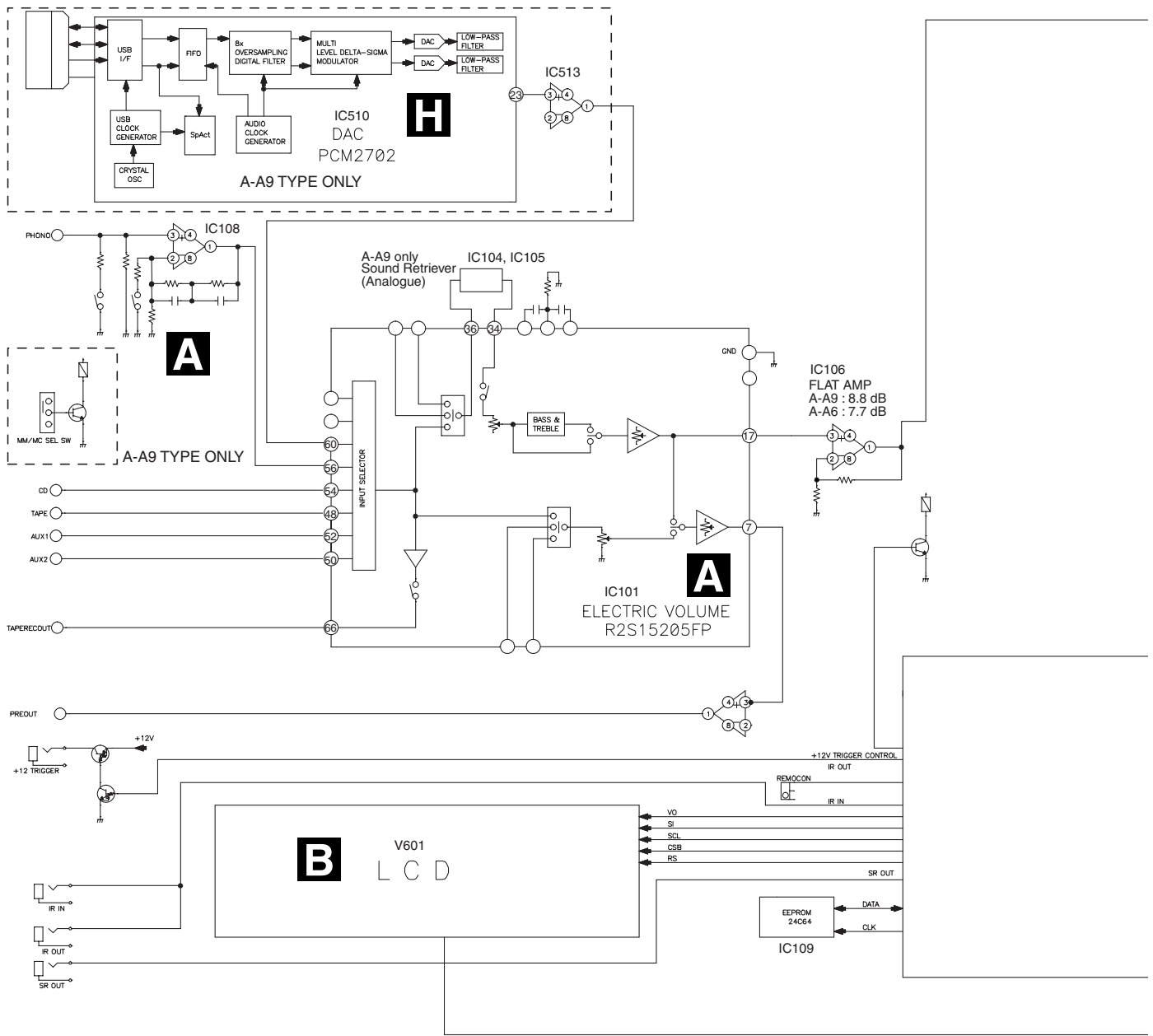
B

C

D

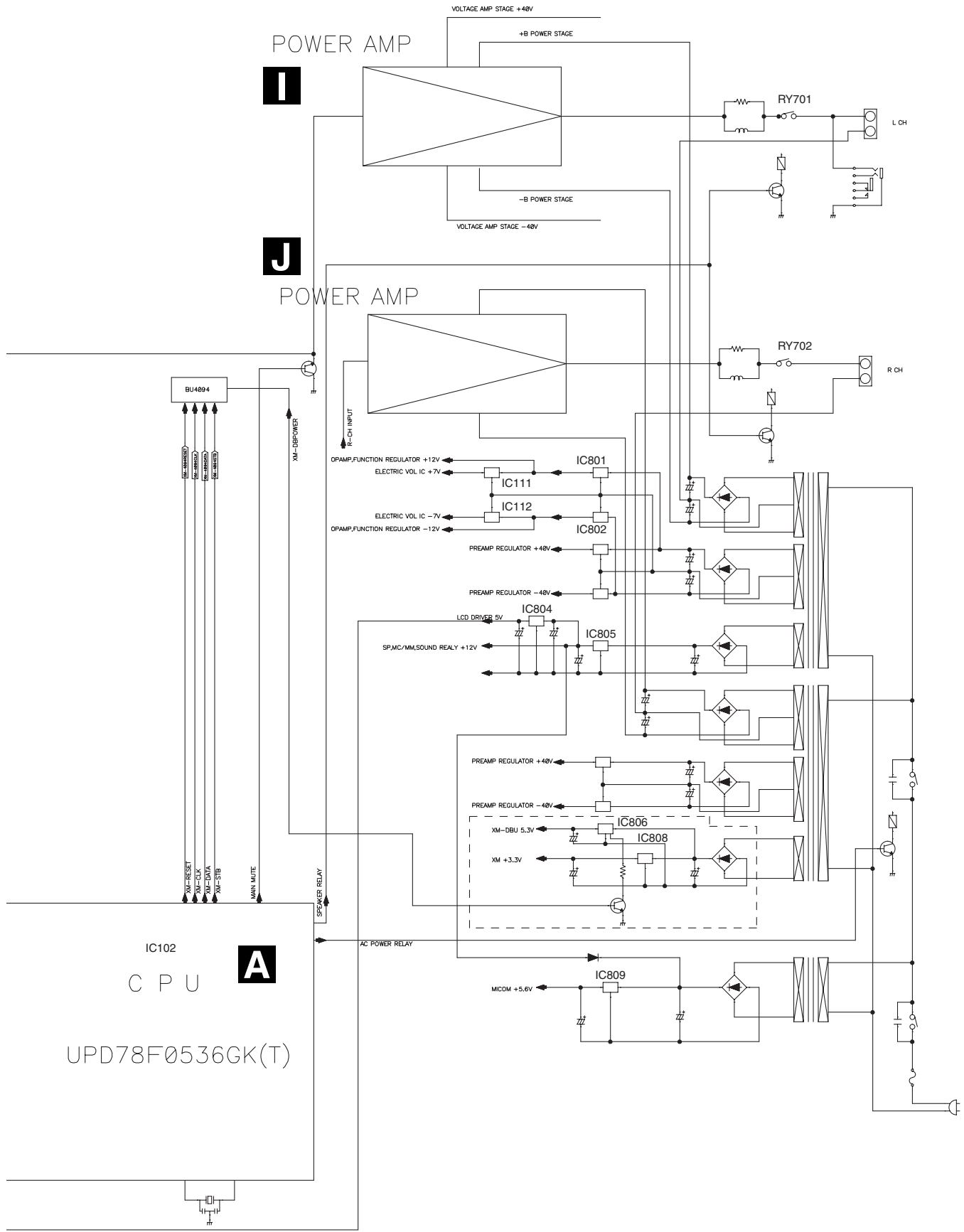
E

F



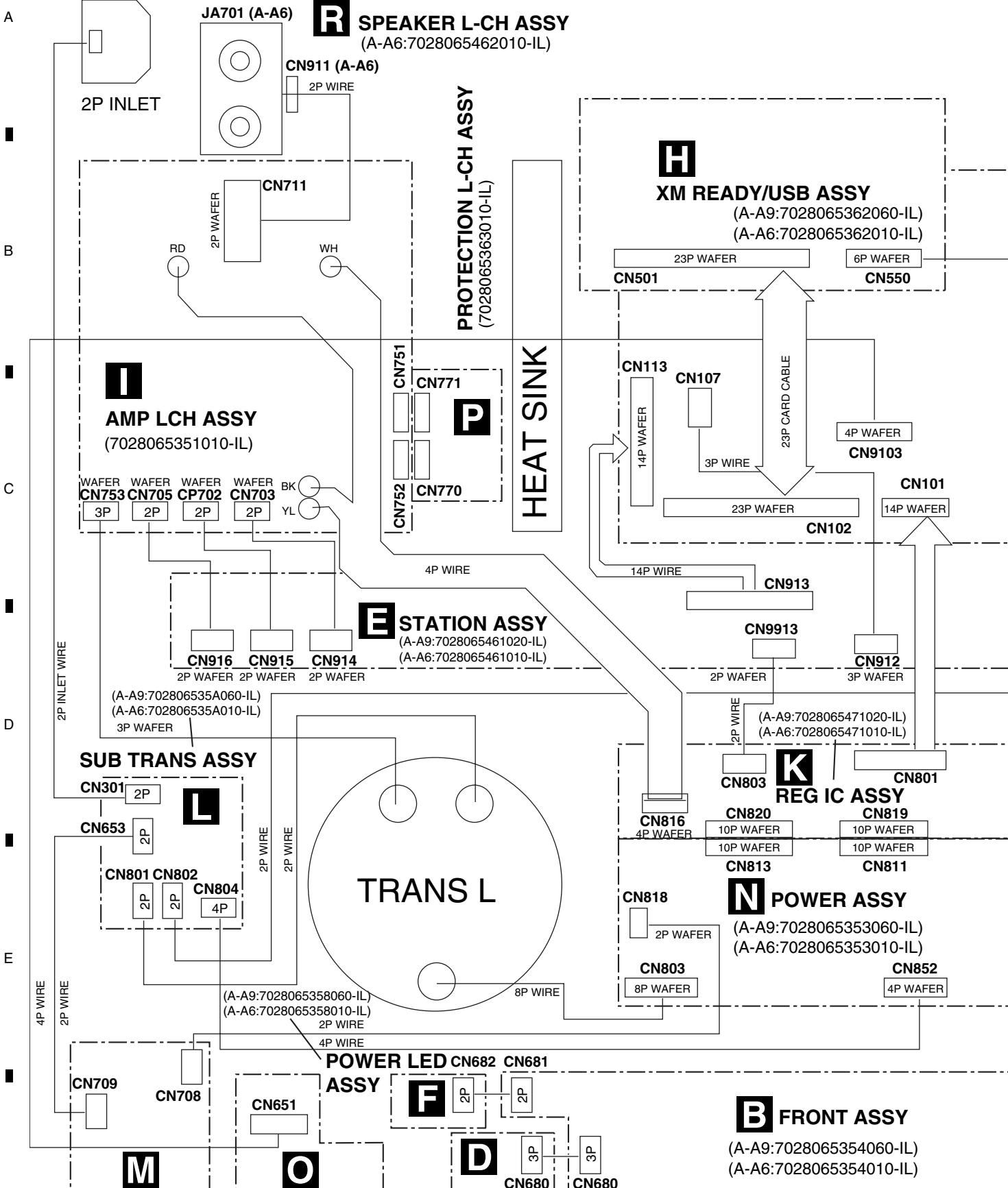


A  
B  
C  
D  
E  
F



# 3.2 OVERALL WIRING DIAGRAM

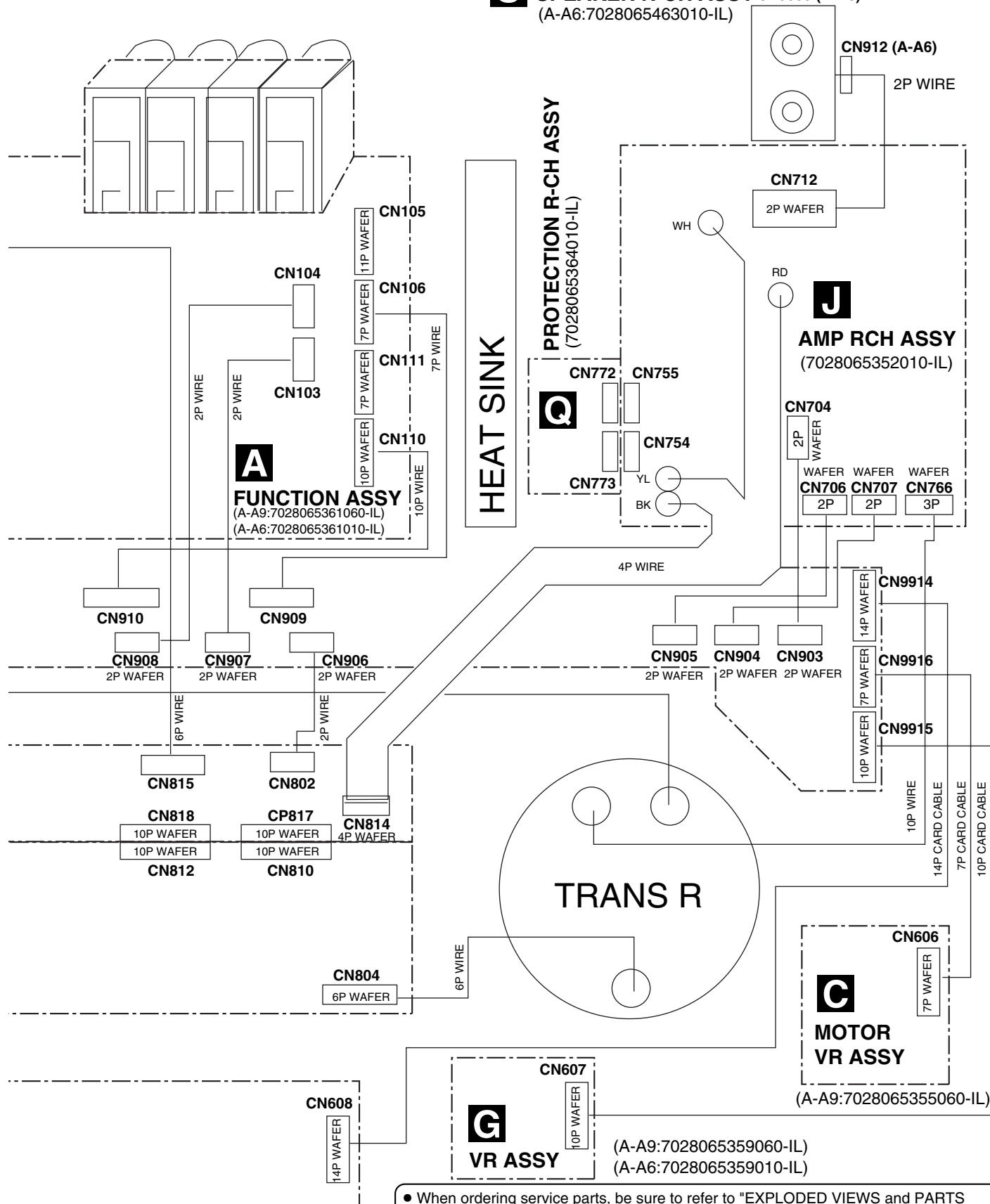
1 2 3 4



**POWER SW ASSY** (A-A9:7028065357060-IL) (A-A6:7028065357010-IL)  
**HEADPHONE ASSY** (702806535B060-IL)  
**REMOCON ASSY** (A-A9:7028065356060-IL) (A-A6:7028065356010-IL)

**B FRONT ASSY**  
 (A-A9:7028065354060-IL)  
 (A-A6:7028065354010-IL)

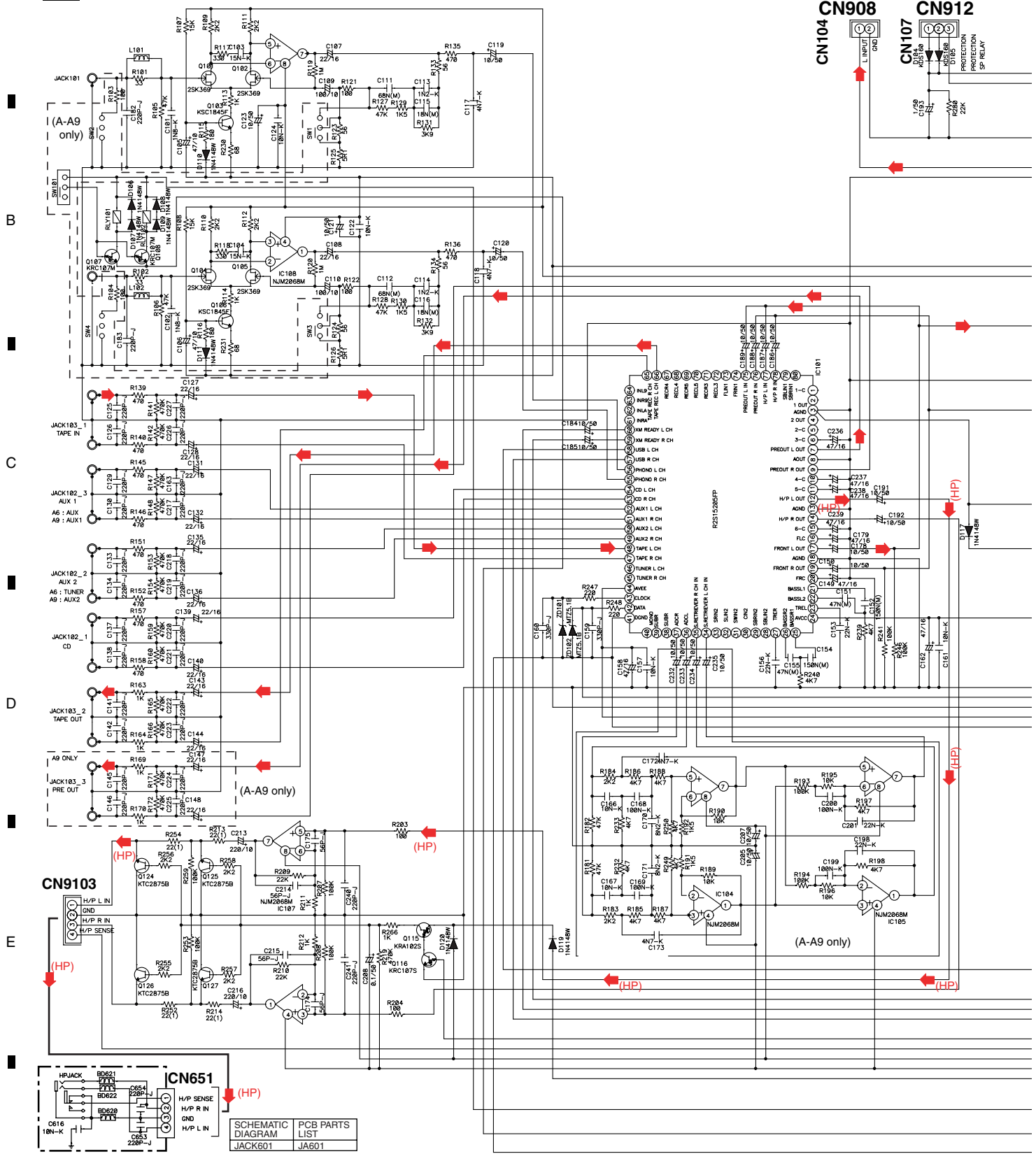
**S** **SPEAKER R-CH ASSY JA0000 (A-A6)**  
 (A-A6:7028065463010-IL)



- When ordering service parts, be sure to refer to "EXPLODED VIEWS and PARTS LIST" or "PCB PARTS LIST".
- The  $\Delta$  mark found on some component parts indicates the importance of the safety factor of the part. Therefore, when replacing, be sure to use parts of identical designation.

# 3.3 FUNCTION and HEADPHONE ASSYS

## A FUNCTION ASSY (A-A9:7028065361060-IL) (A-A6:7028065361010-IL)

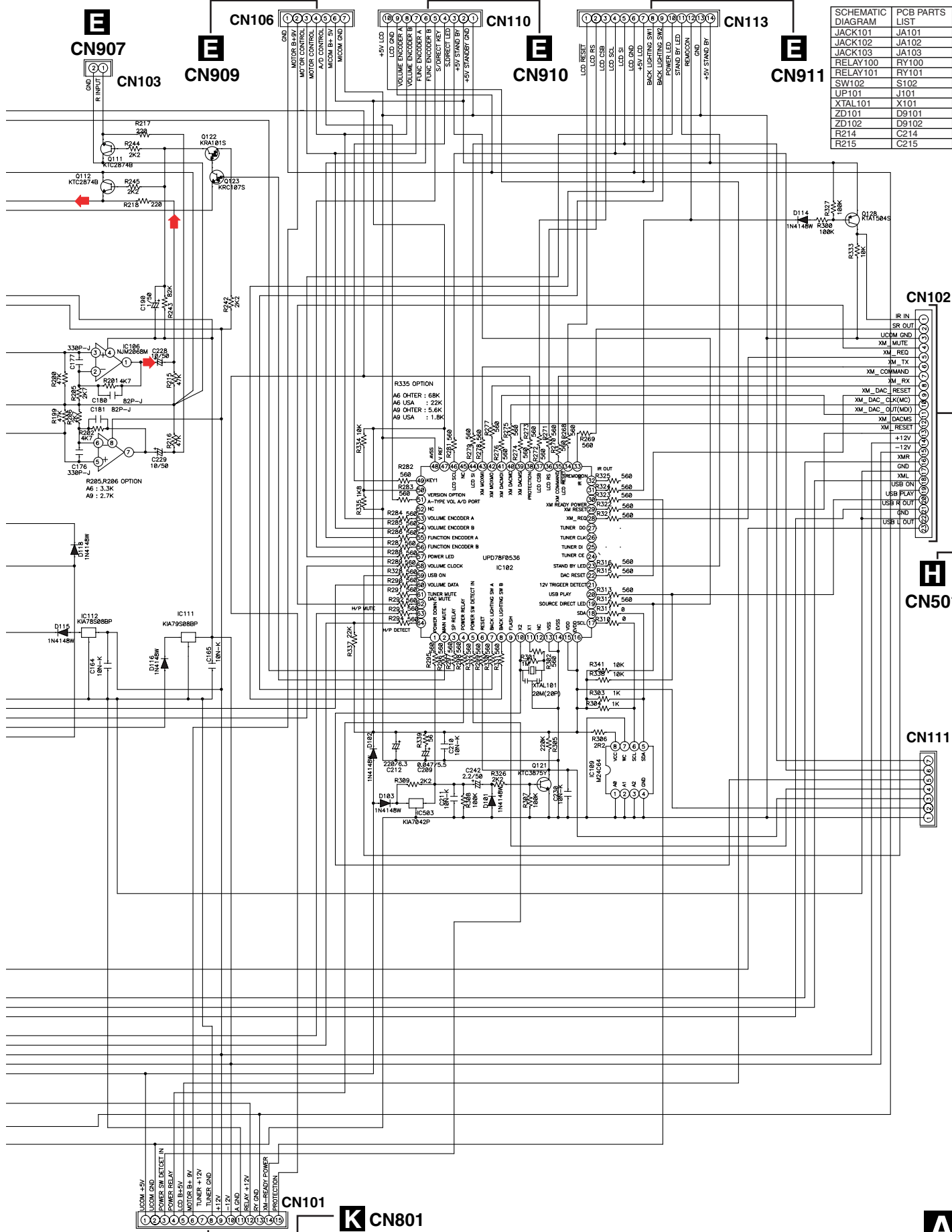


## F HEADPHONE ASSY (702806535B060-IL)

➔ : AUDIO SIGNAL ROUTE (L ch)  
 (HP) ➔ : AUDIO SIGNAL ROUTE (H.P L ch)



(A-A9 only)

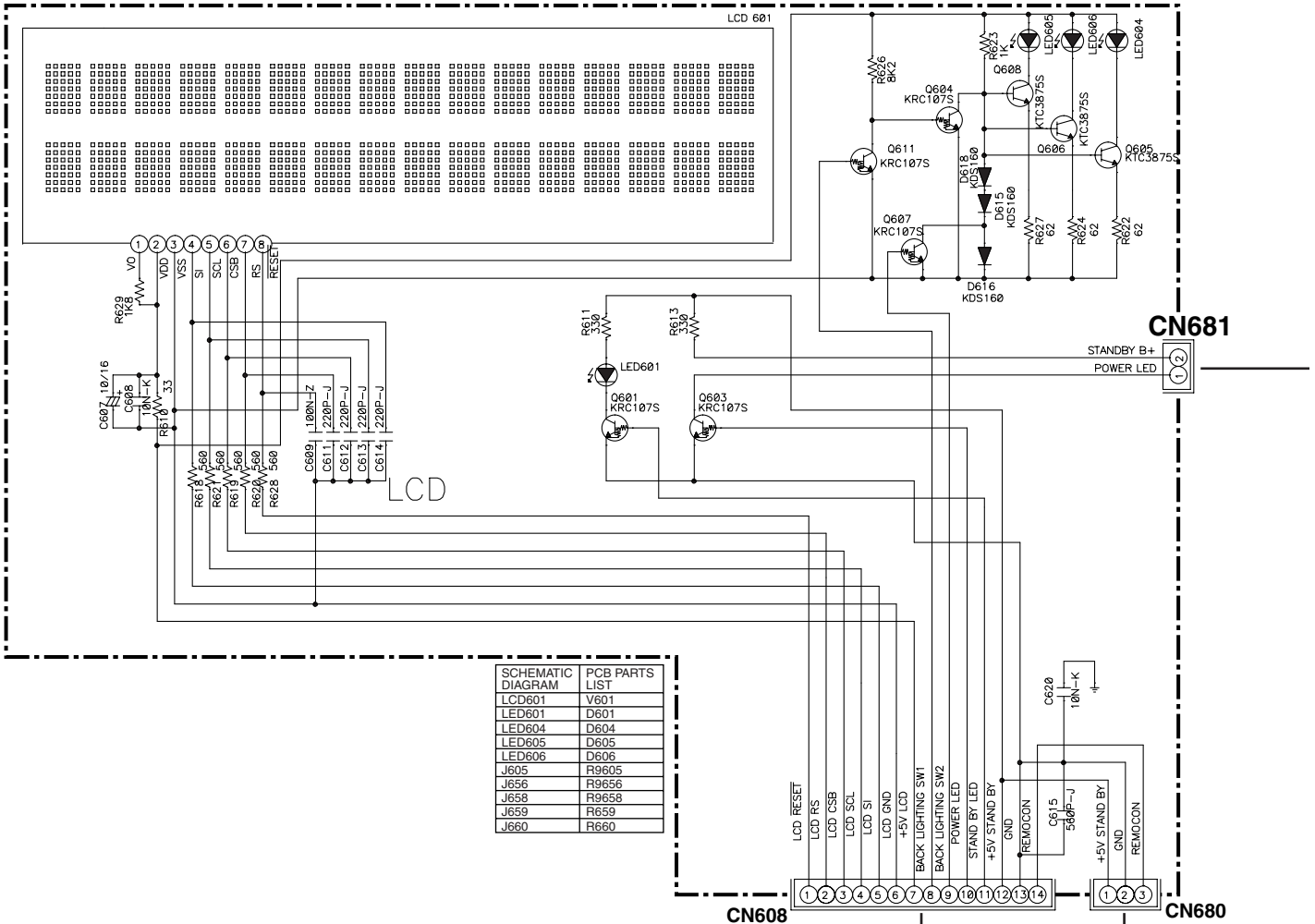


SCHEMATIC DIAGRAM	PCB PARTS LIST
JACK101	JA101
JACK102	JA102
JACK103	JA103
RELAY100	RY100
RELAY101	RY101
SW102	S102
UP101	J101
XTAL101	X101
ZD101	D9101
ZD102	D9102
R214	C214
R215	C215

A  
B  
C  
D  
E  
F

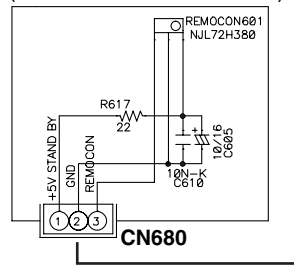
# 3.4 FRONT, MOTOR VR, REMOCON, STATION, POWER LED and VR ASSYS

## **B** FRONT ASSY (A-A9:7028065354060-IL) (A-A6:7028065354010-IL)



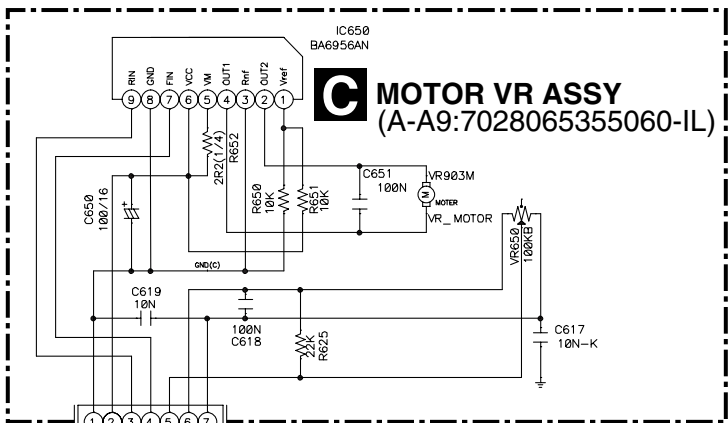
SCHEMATIC DIAGRAM	PCB PARTS LIST
LCD601	V601
LED601	D601
LED604	D604
LED605	D605
LED606	D606
J605	R9605
J656	R9656
J658	R9658
J659	R659
J660	R660

## **D** REMOCON ASSY (A-A9:7028065356060-IL) (A-A6:7028065356010-IL)



SCHEMATIC DIAGRAM	PCB PARTS LIST
REMO601	601

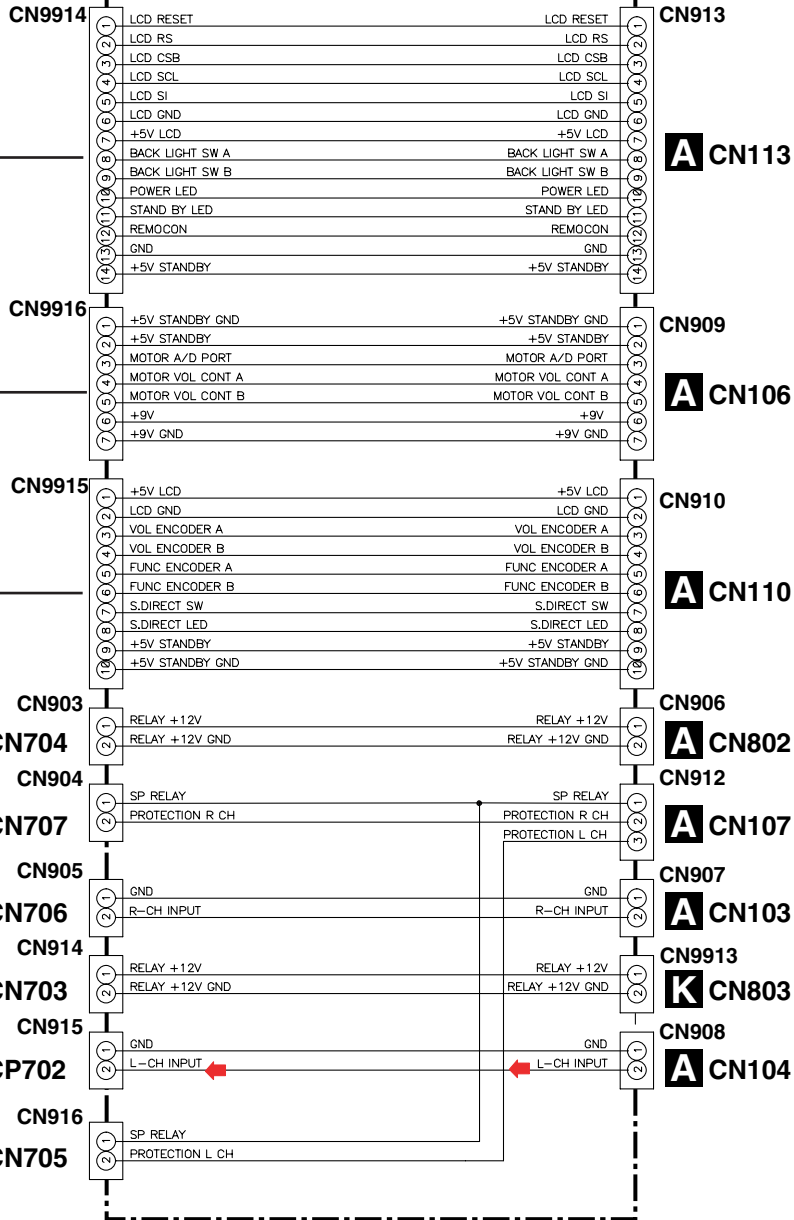
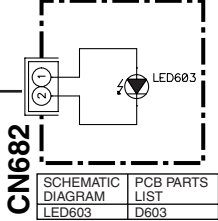
## **C** MOTOR VR ASSY (A-A9:7028065355060-IL)



SCHEMATIC DIAGRAM	PCB PARTS LIST
*	VR601

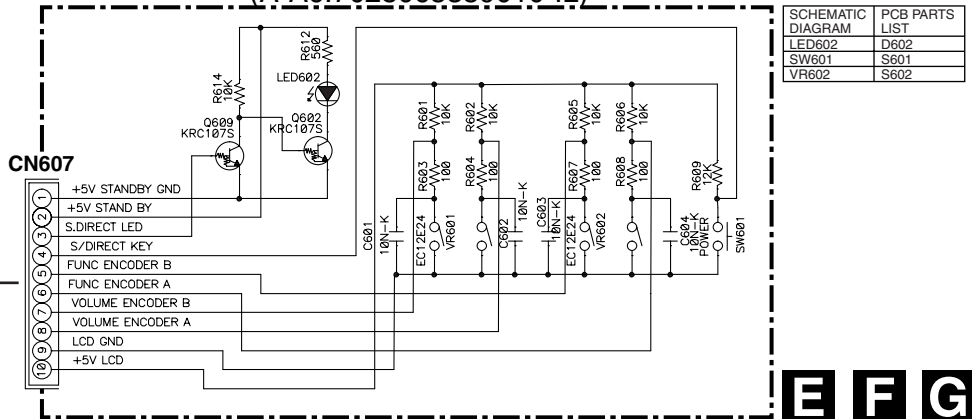
**E STATION ASSY**  
 (A-A9:7028065461020-IL)  
 (A-A6:7028065461010-IL)

**F POWER LED ASSY**  
 (A-A9:7028065358060-IL)  
 (A-A6:7028065358010-IL)



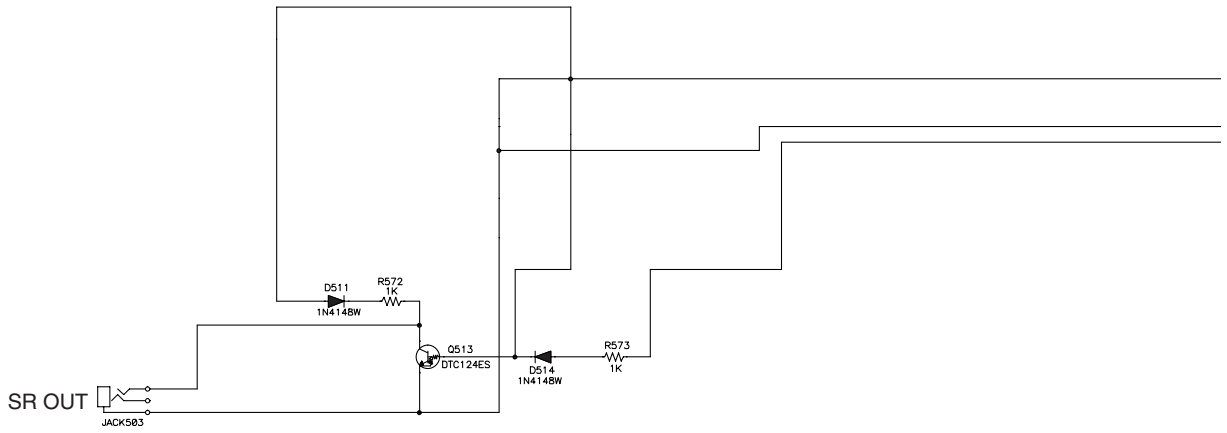
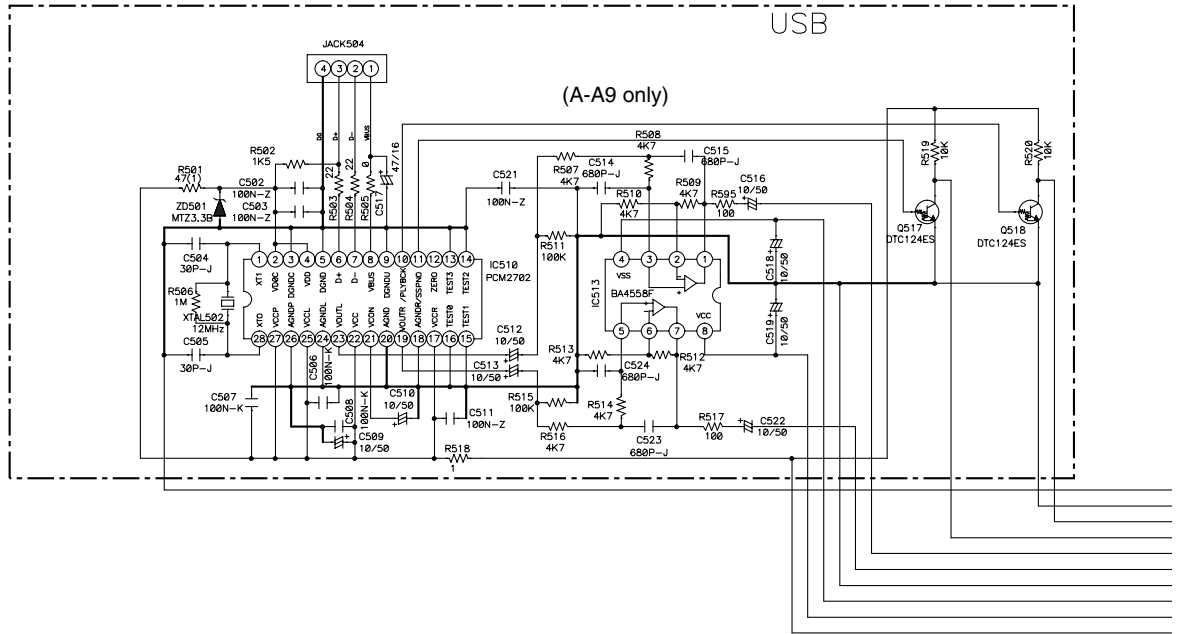
**G VR ASSY** (A-A9:7028065359060-IL)  
 (A-A6:7028065359010-IL)

➔ AUDIO SIGNAL ROUTE (L ch)



# 3.5 XM-READY/USB ASSY

**H** XM-READY/USB ASSY (A-A9:7028065362060-IL)  
 (A-A6:7028065362010-IL)

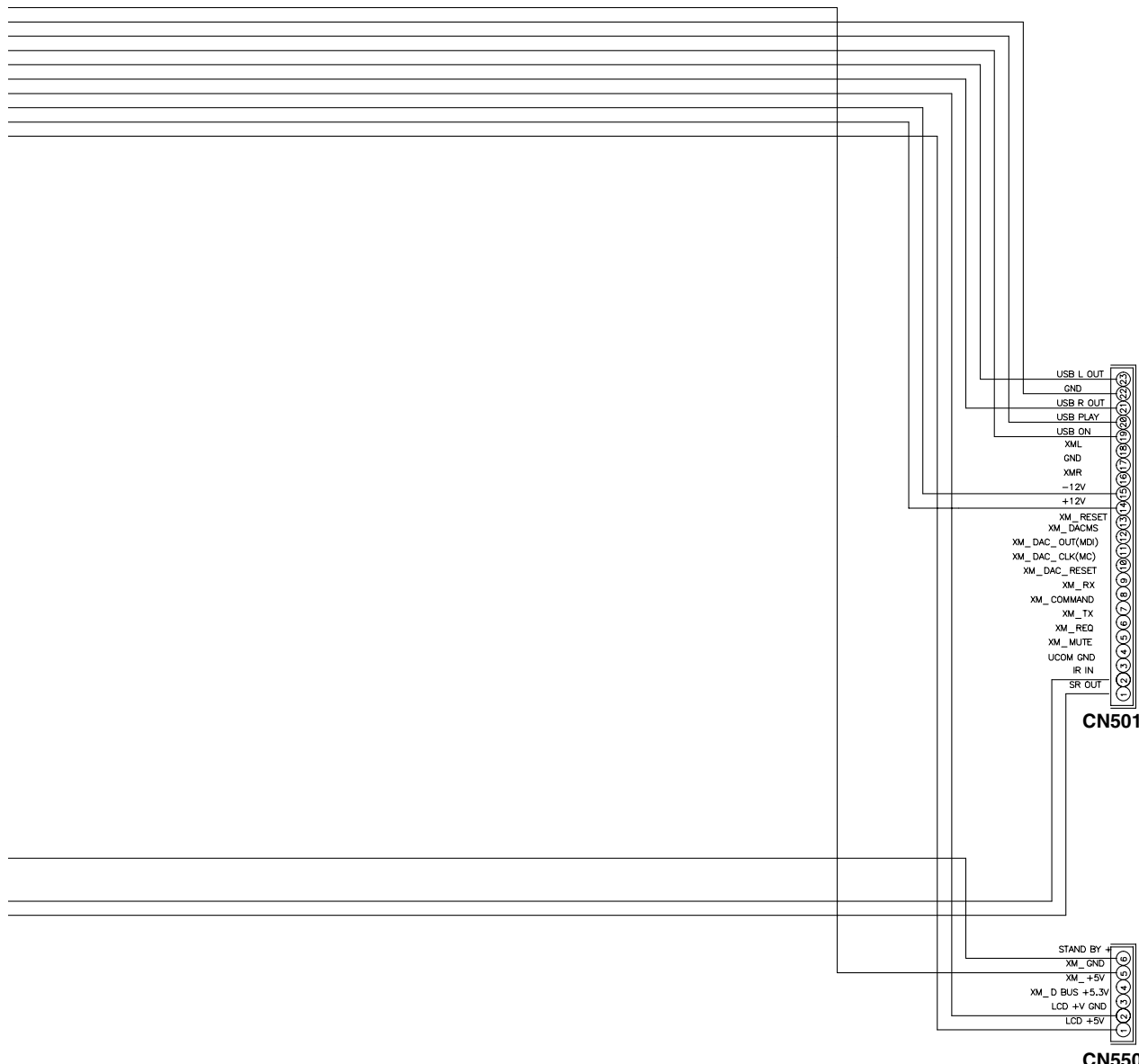


A-A9-J





SCHEMATIC DIAGRAM	PCB PARTS LIST
BKT501	501
BKT502	502
JACK503	JA503
JACK504	JA504
XTAL502	X502
ZD501	D501
GND502	502
GND503	503



**A** CN102

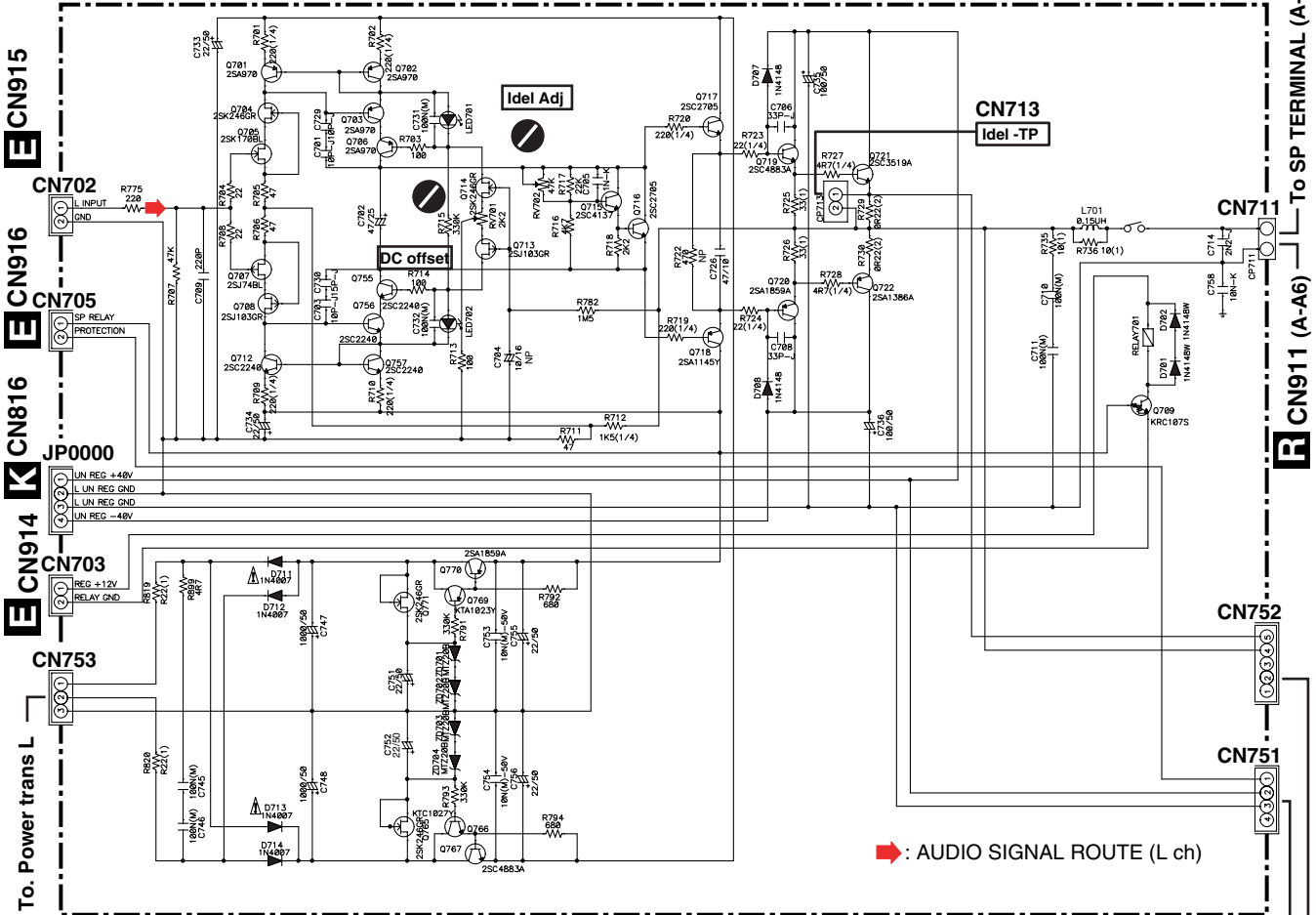
CN501

**K** CN815

CN550

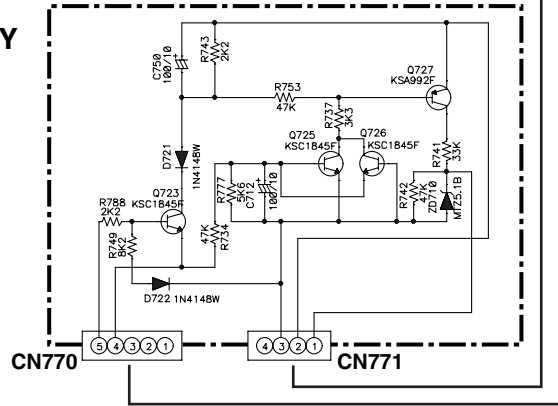
# 3.6 AMP LCH, AMP RCH, PROTECTION L-CH and PROTECTION R-CH ASSYS

**AMP L CH ASSY**  
(7028065351010-IL)

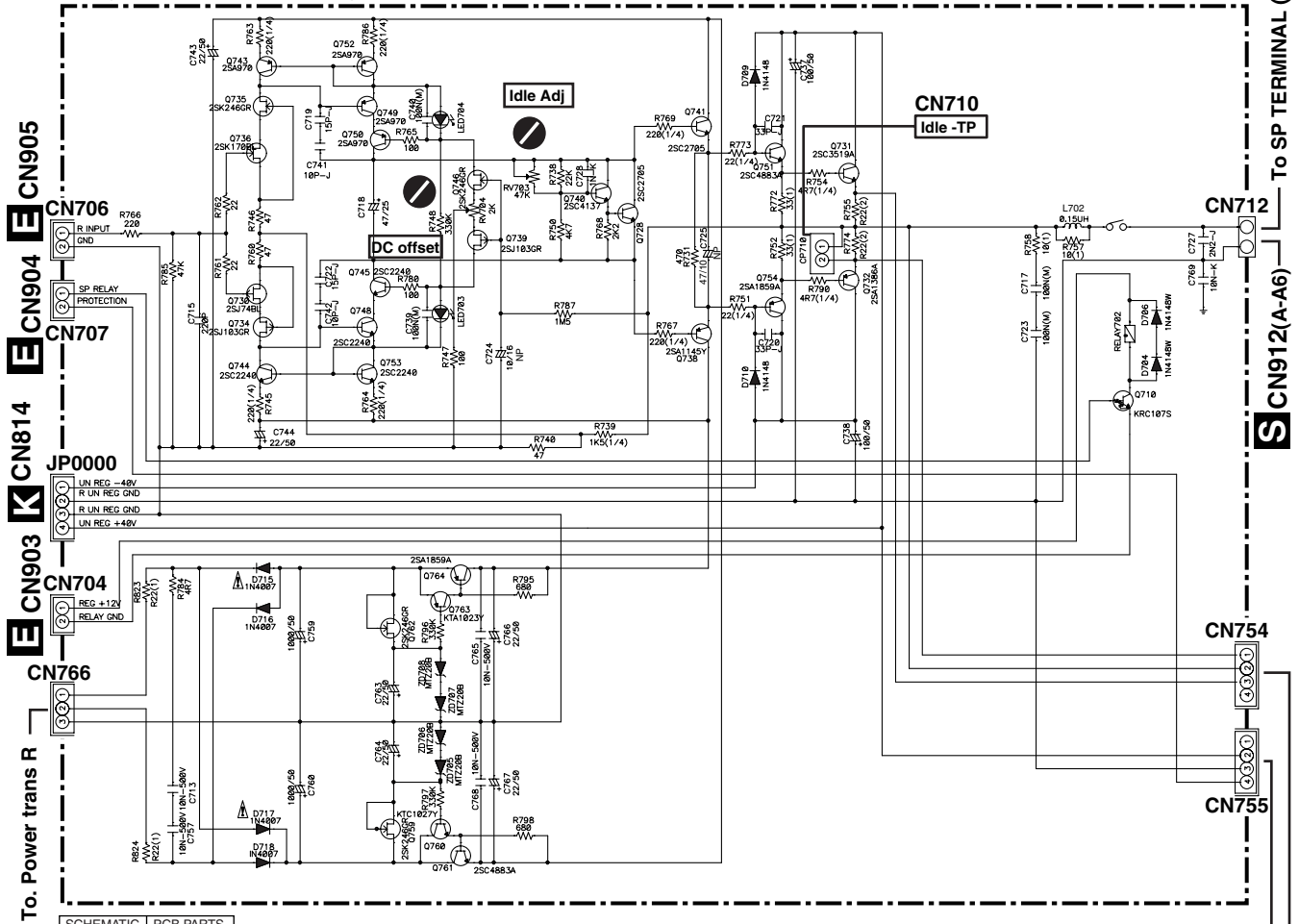


SCHEMATIC DIAGRAM	PCB PARTS LIST
RV701	VR701
RV702	VR702
RELAY701	RY701
ZD701	D9701
ZD702	D9702
ZD703	D9703
ZD704	D9704
LED701	D8701
LED702	D8702
ZD707	D707
ZD708	D708

**PROTECTION L-CH ASSY**  
(7028065363010-IL)



**J** AMP R CH ASSY  
(7028065352010-IL)

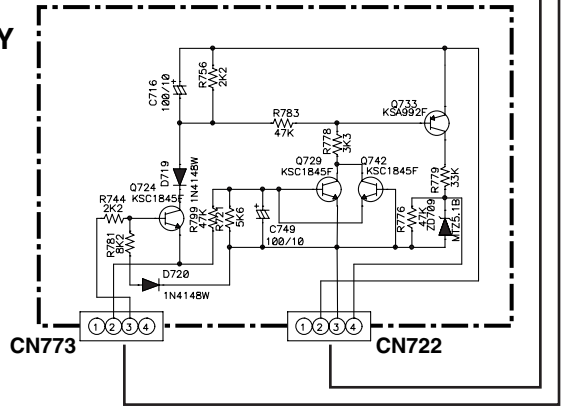


To. Power trans R

To SP TERMINAL (A-A9)

SCHEMATIC DIAGRAM	PCB PARTS LIST
RELAY702	RY702
RV703	VR703
RV704	VR704
ZD706	D706
LED703	D703
ZD705	D705
J716	R9716
J718	R9718
J719	R9719
J720	R9720
J721	R9721
J722	R9722
J729	R9729
J730	R9730
J732	R9732
J735	R9735
J739	R9739
J751	R9751
J752	R9752
J754	R9754
J755	R9755
J756	R9756
J757	R9757
J758	R9758
J759	R9759
J760	R9760

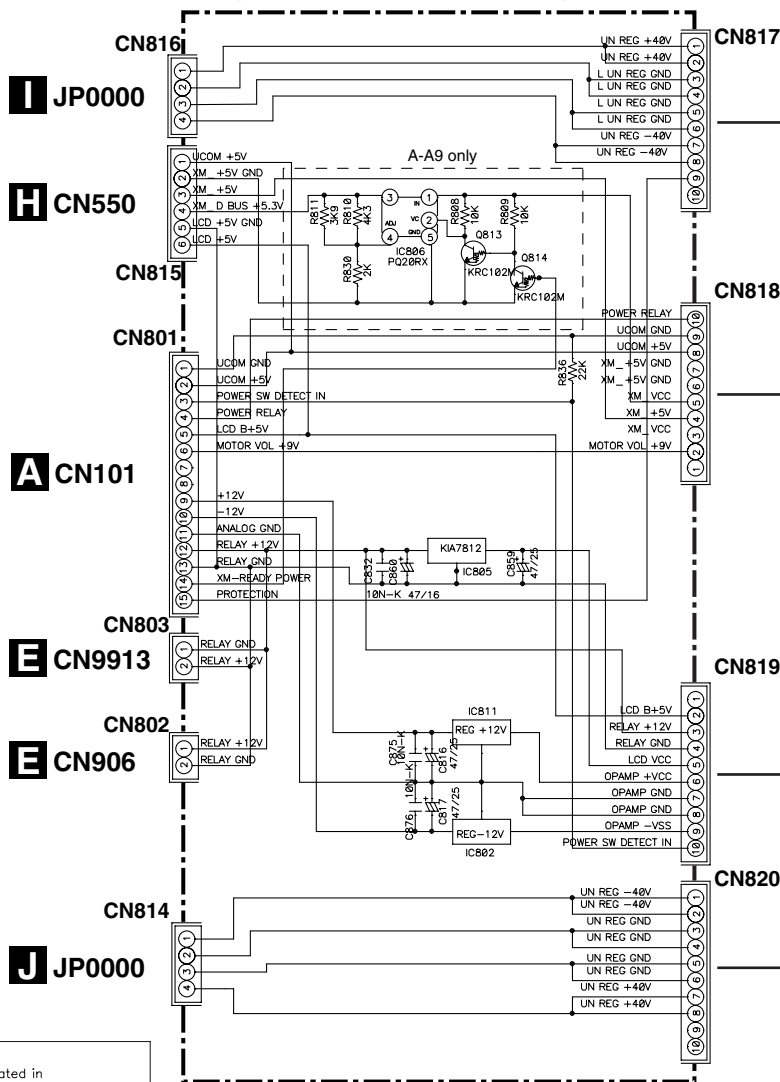
**Q** PROTECTION R-CH ASSY  
(7028065364010-IL)



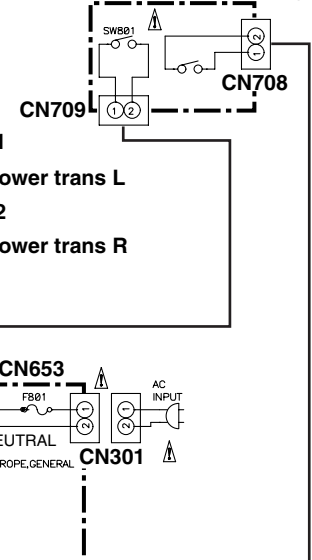
A  
B  
C  
D  
E  
F

# 3.7 REG IC, SUB TRANS, POWER SW and POWER ASSYS

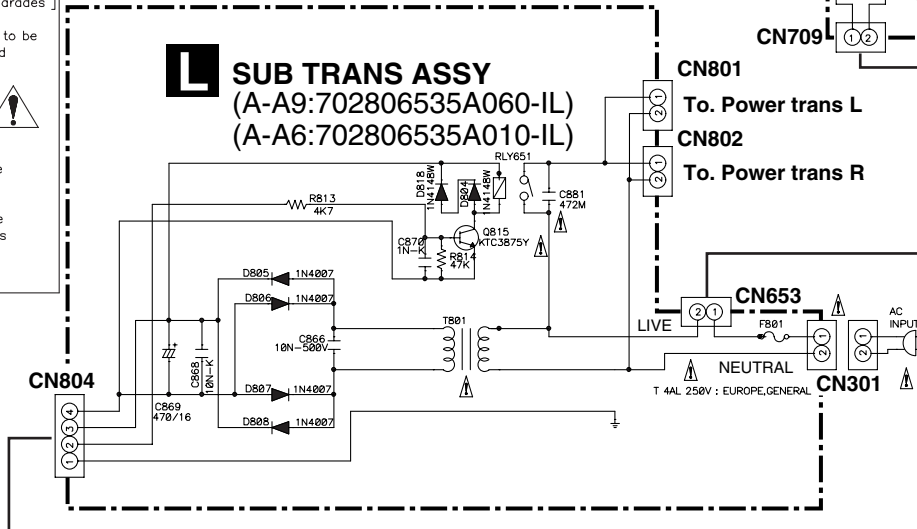
## **K** REG IC ASSY (A-A9:7028065471020-IL) (A-A6:7028065471010-IL)



## **M** POWER SW ASSY (A-A9:7028065357060-IL) (A-A6:7028065357010-IL)



## **L** SUB TRANS ASSY (A-A9:702806535A060-IL) (A-A6:702806535A010-IL)



**NOTES**

1. Resistor values are indicated in ohms unless otherwise specified  
[ k = 1.000 m = 1.000.000 ]
2. Capacitor values are indicated in microfarads unless otherwise specified.  
[ p = micro-microfarades ]
3. : These resistor are to be segregated from printed wiring board or other accessible parts.  
**CAUTION**  
Safety precaution to be followed during servicing

1] Since those parts marked with are critical parts for safety, use only the one described in the parts list

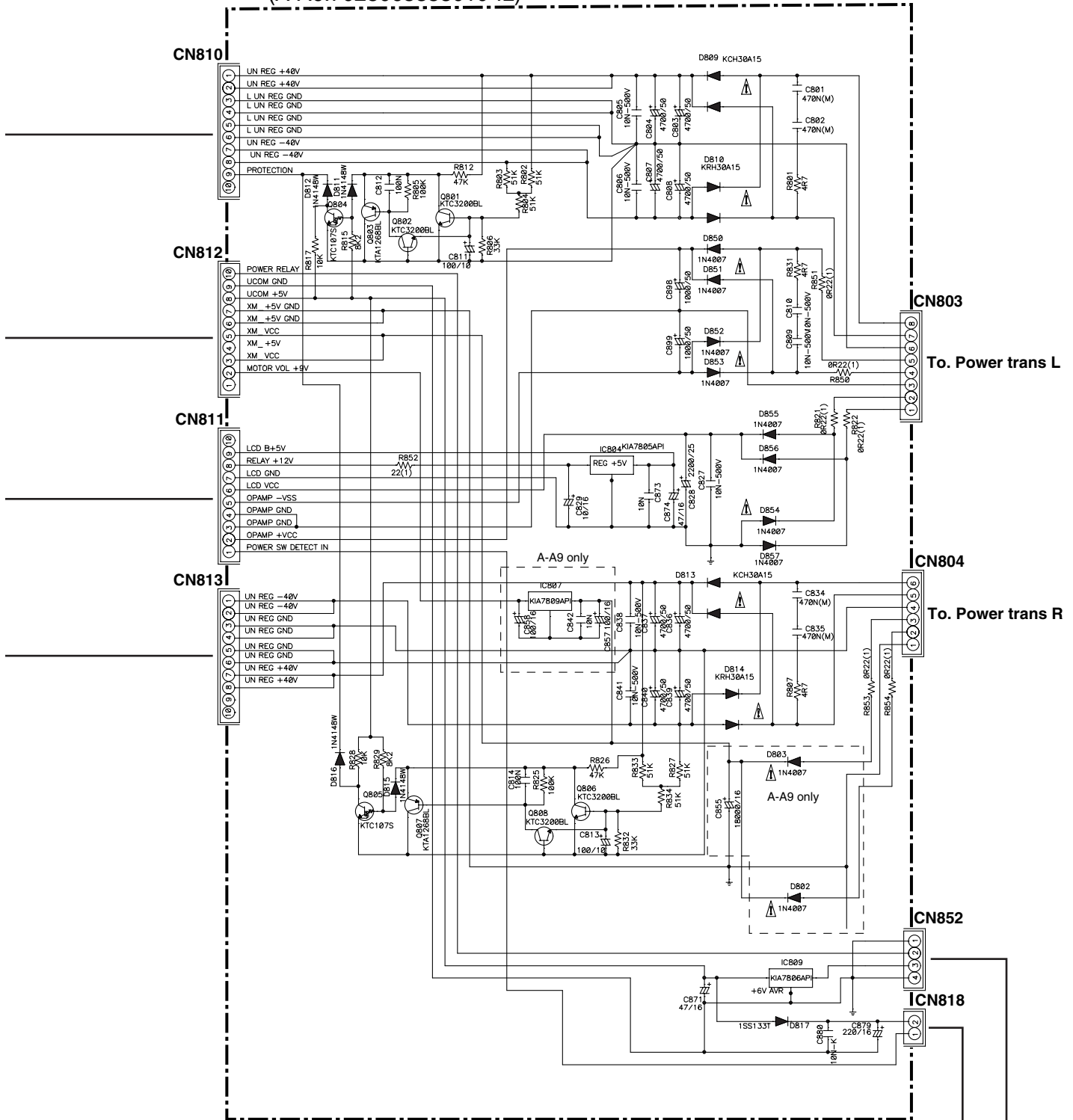
2] Before returning the set to the customer make appropriate leakage current or resistance measurements to determine the exposed parts are properly insulated from the supply circuit.

SCHEMATIC DIAGRAM	PCB PARTS LIST
RLY651	RY651
* FU0	FU0
*	0000

SCHEMATIC DIAGRAM	PCB PARTS LIST
SW801	S801

**K L M**

**N** POWER ASSY  
 (A-A9:7028065353060-IL)  
 (A-A6:7028065353010-IL)



• NOTE FOR FUSE REPLACEMENT

**CAUTION** -FOR CONTINUED PROTECTION AGAINST RISK OF FIRE.  
 REPLACE WITH SAME TYPE AND RATINGS OF FUSE.

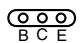
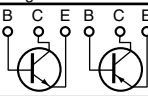

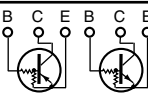
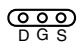
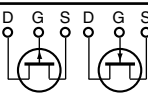

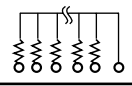
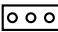
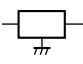
SCHEMATIC DIAGRAM	PCB PARTS LIST
J811	R811
J812	R812
J866	R866
J867	R867

A  
B  
C  
D  
E  
F

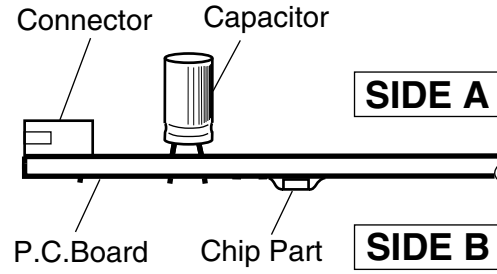
# 4. PCB CONNECTION DIAGRAM

## NOTE FOR PCB DIAGRAMS :

1. Part numbers in PCB diagrams match those in the schematic diagrams.
2. A comparison between the main parts of PCB and schematic diagrams is shown below.

Symbol In PCB Diagrams	Symbol In Schematic Diagrams	Part Name
		Transistor
		Transistor with resistor
		Field effect transistor
		Resistor array
		3-terminal regulator

3. The parts mounted on this PCB include all necessary parts for several destinations.  
For further information for respective destinations, be sure to check with the schematic diagram.
4. View point of PCB diagrams.

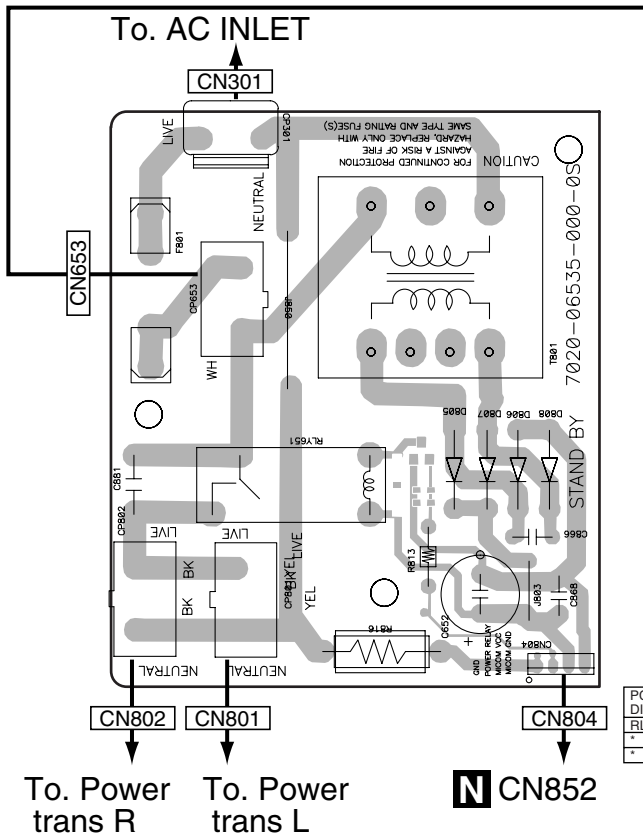


# 4.1 SUB TRANS and POWER SW ASSYS

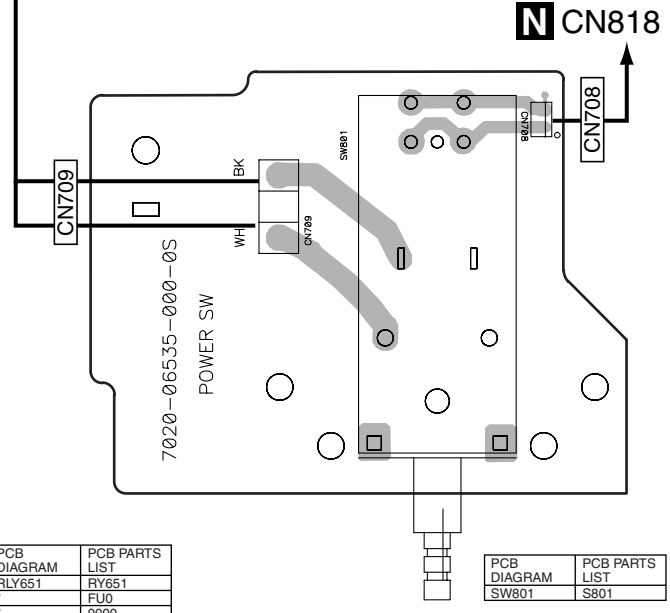
**SIDE A**

**SIDE A**

## L SUB TRANS ASSY



## M POWER SW ASSY



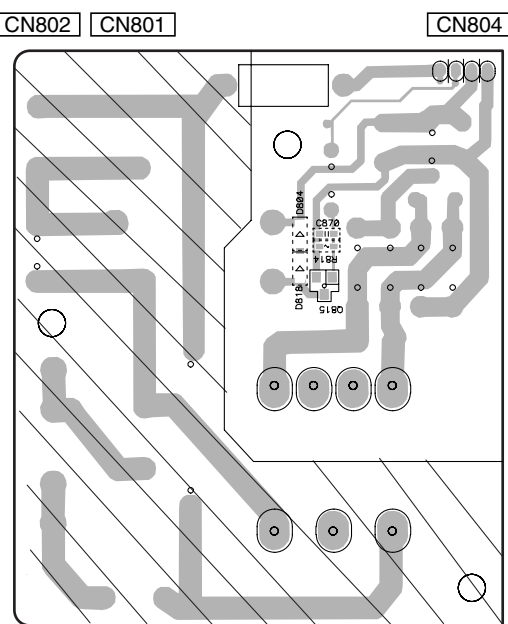
PCB DIAGRAM	PCB PARTS LIST
RLY651	RY651
*	FU0
*	0000

PCB DIAGRAM	PCB PARTS LIST
SW801	S801

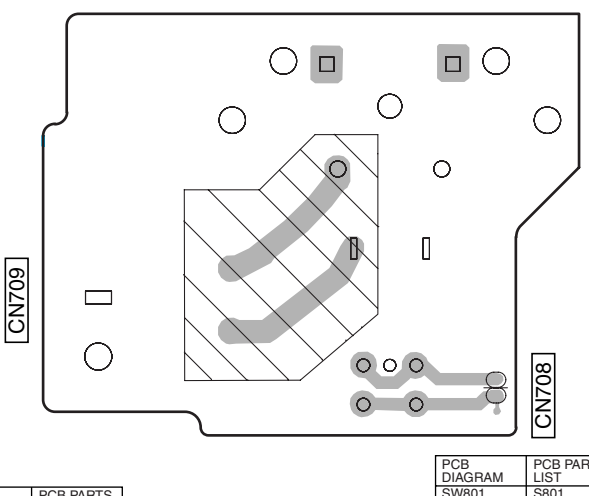
**SIDE B**

**SIDE B**

## L SUB TRANS ASSY



## M POWER SW ASSY



PCB DIAGRAM	PCB PARTS LIST
RLY651	RY651
*	FU0
*	0000

PCB DIAGRAM	PCB PARTS LIST
SW801	S801

**L M**

**L M**

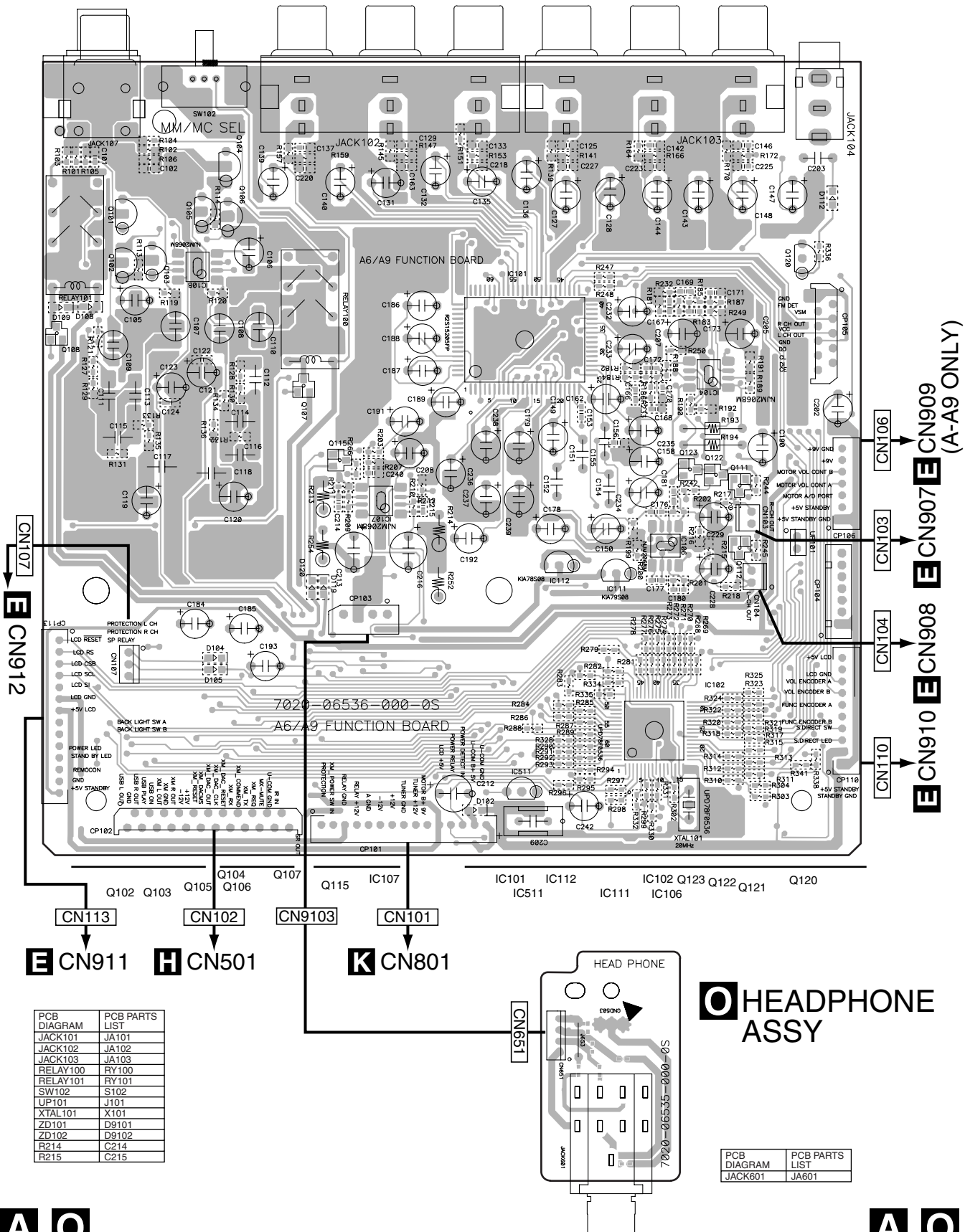
# 4.2 FUNCTION and HEADPHONE ASSYS

SIDE A

SIDE A

## A FUNCTION ASSY

A  
B  
C  
D  
E  
F



PCB DIAGRAM	PCB PARTS LIST
JACK101	JA101
JACK102	JA102
JACK103	JA103
RELAY100	RY100
RELAY101	RY101
SW102	S102
UP101	J101
XTAL101	X101
ZD101	D9101
ZD102	D9102
R214	C214
R215	C215

PCB DIAGRAM	PCB PARTS LIST
JACK601	JA601

**HEADPHONE ASSY**

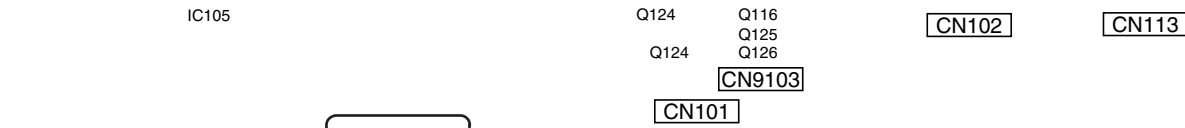
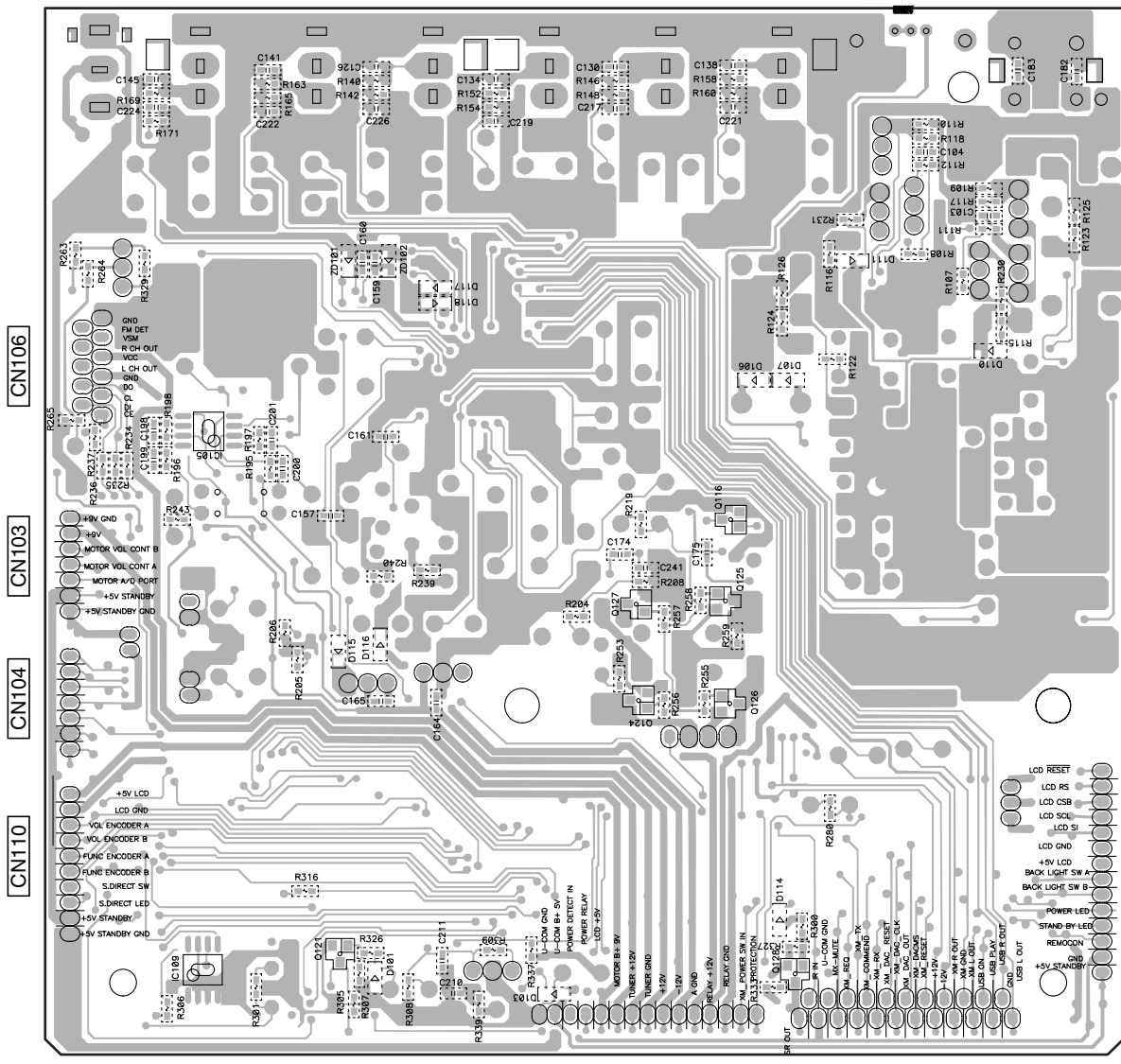
A-A9-J



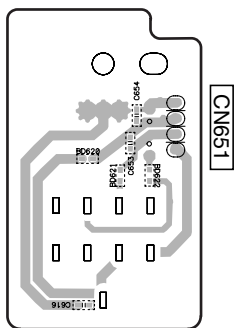
SIDE B

SIDE B

# A FUNCTION ASSY



## O HEADPHONE ASSY



PCB DIAGRAM	PCB PARTS LIST
JACK601	JA601

PCB DIAGRAM	PCB PARTS LIST
JACK101	JA101
JACK102	JA102
JACK103	JA103
RELAY100	RY100
RELAY101	RY101
SW102	SI102
UP101	JI101
XTAL101	XI101
ZD101	D9101
ZD102	D9102
R214	C214
R215	C215

A O

A O

# 4.3 FRONT, REMOCON, POWER LED and VR ASSYS

**SIDE A**

**SIDE A**

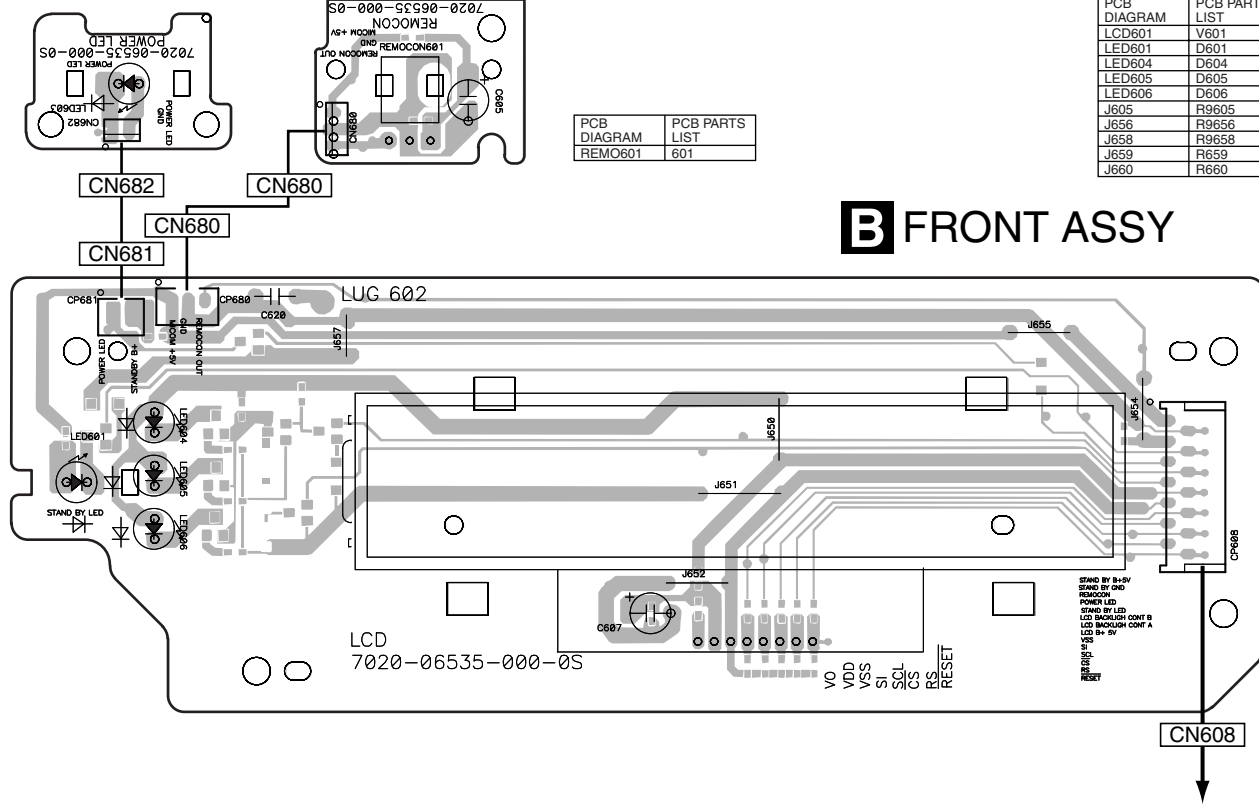
PCB DIAGRAM	PCB PARTS LIST
LED603	D603

**F** POWER LED ASSY

**D** REMOCON ASSY

PCB DIAGRAM	PCB PARTS LIST
LCD601	V601
LED601	D601
LED604	D604
LED605	D605
LED606	D606
J605	R9605
J656	R9656
J658	R9658
J659	R659
J660	R660

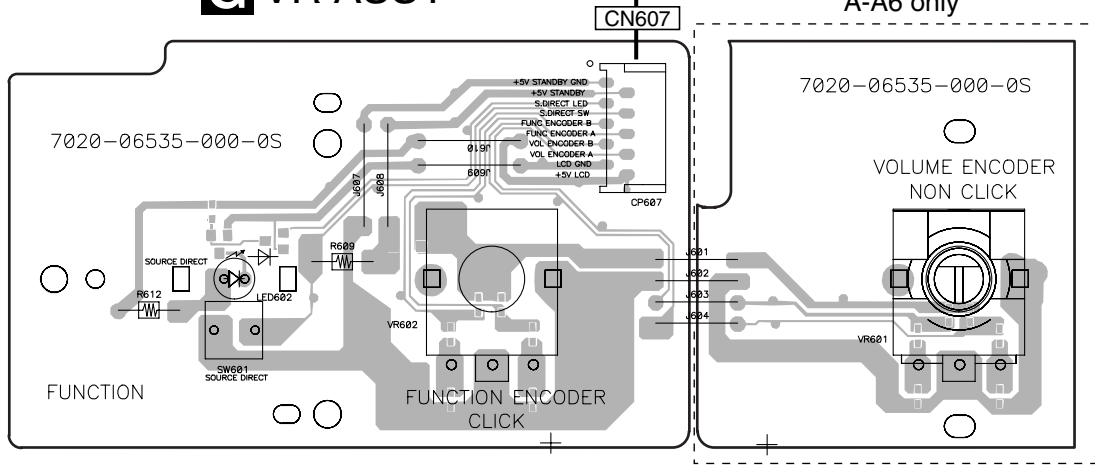
PCB DIAGRAM	PCB PARTS LIST
REMO601	601



**E** CN9914

**E** CN9915

**G** VR ASSY



PCB DIAGRAM	PCB PARTS LIST
LED602	D602
SW601	S601
VR602	S602

**B D F G**

**B D F G**

**SIDE B**

**SIDE B**

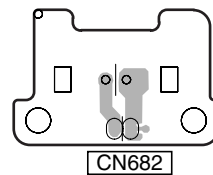
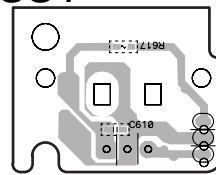
PCB DIAGRAM	PCB PARTS LIST
LCD601	V601
LED601	D601
LED604	D604
LED605	D605
LED606	D606
J605	R9605
J656	R9656
J658	R9658
J659	R9659
J660	R9660

**D** REMOCON ASSY

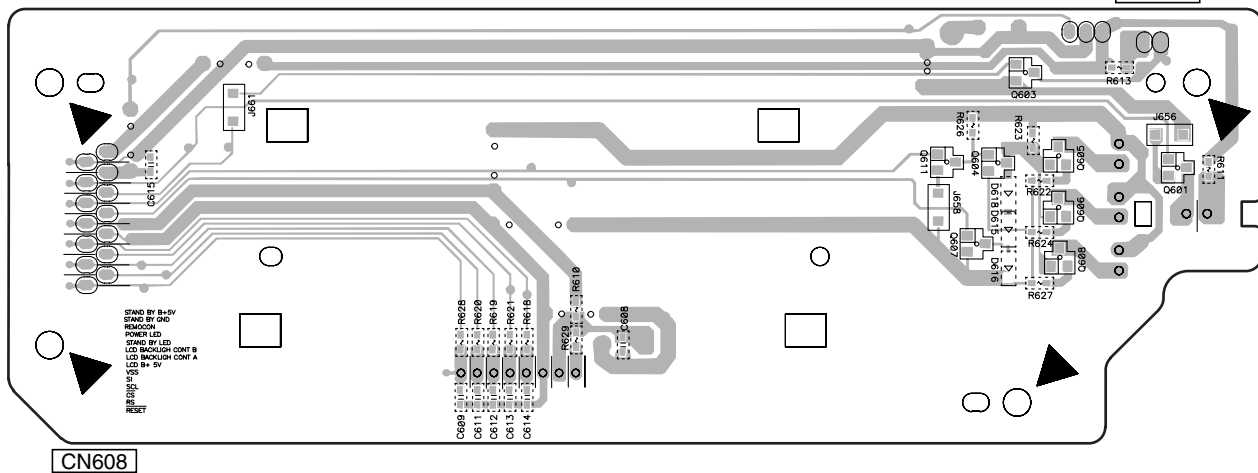
**F** POWER LED ASSY

PCB DIAGRAM	PCB PARTS LIST
LED603	D603

PCB DIAGRAM	PCB PARTS LIST
REMO601	601

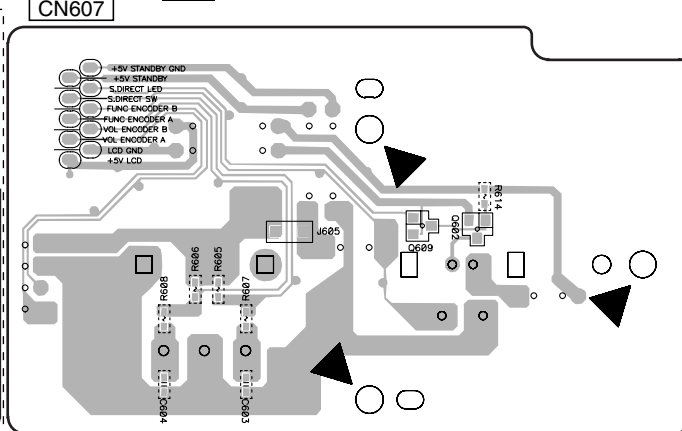
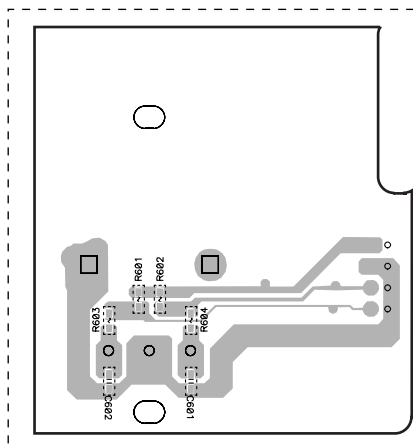


**B** FRONT ASSY



**G** VR ASSY

A-A6 only



PCB DIAGRAM	PCB PARTS LIST
LED602	D602
SW601	S601
VR602	S602

**B D F G**

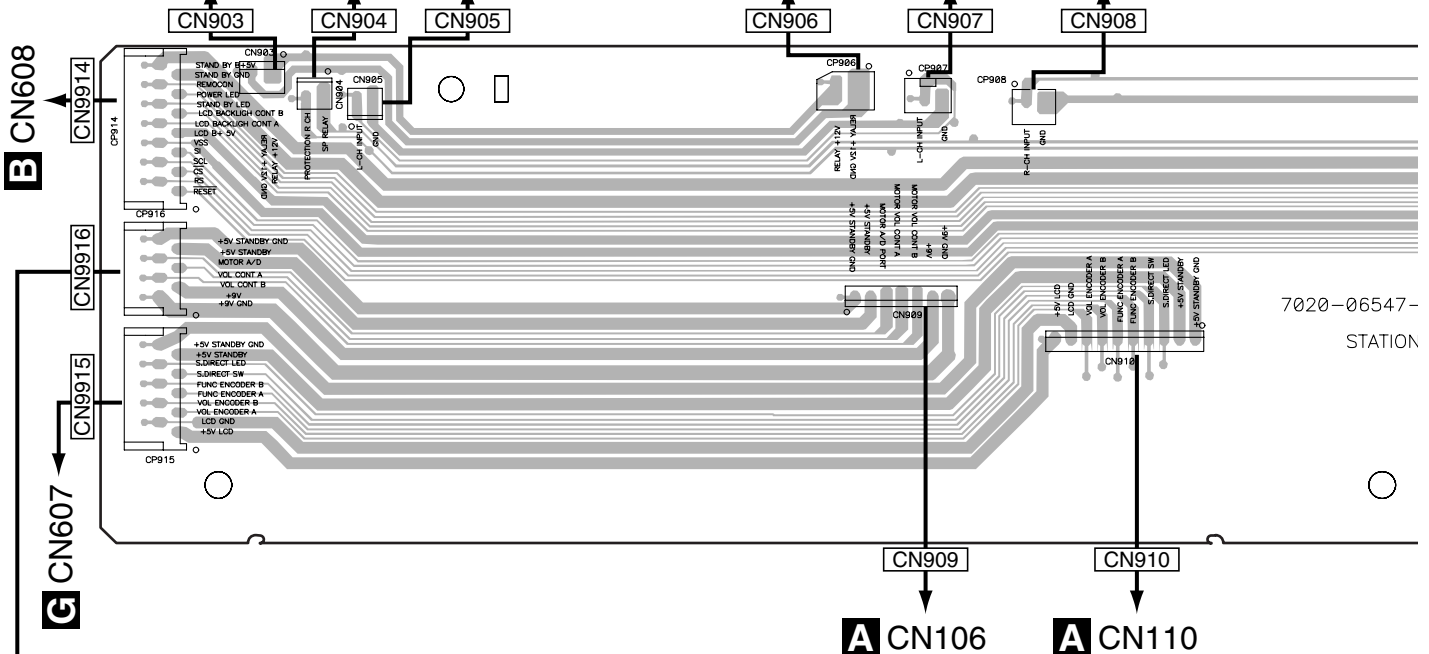
**B D F G**

A-A9-J

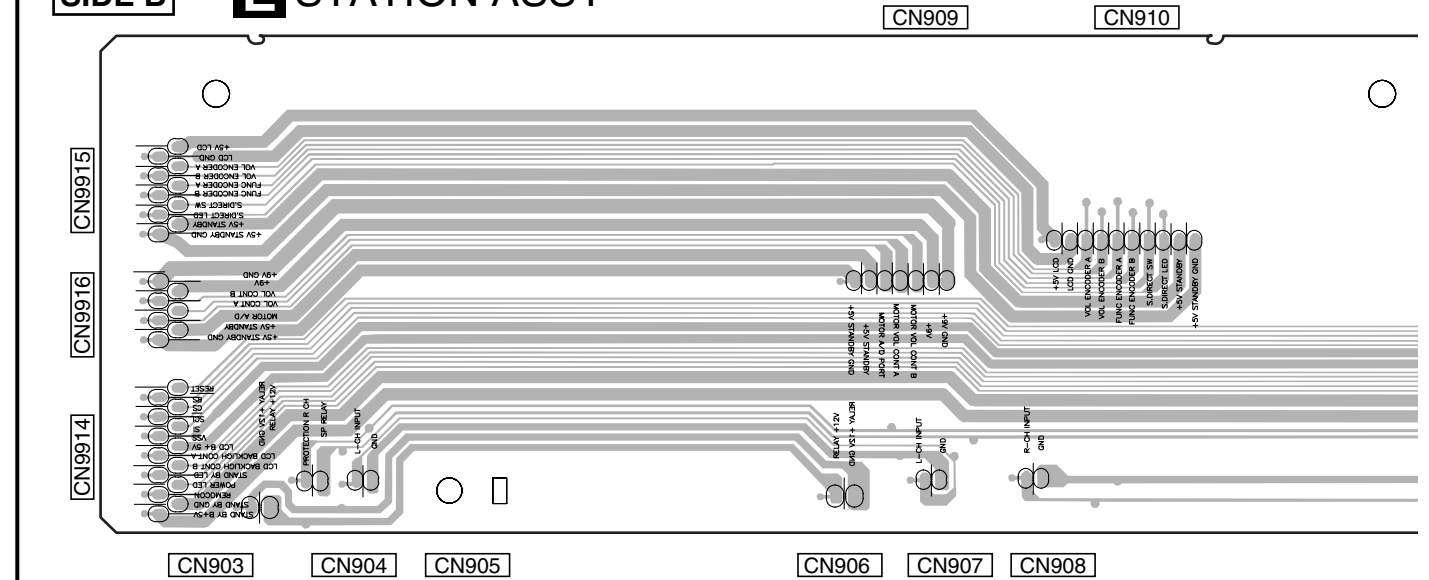
# 4.4 STATION and MOTOR VR ASSYS

## SIDE A E STATION ASSY

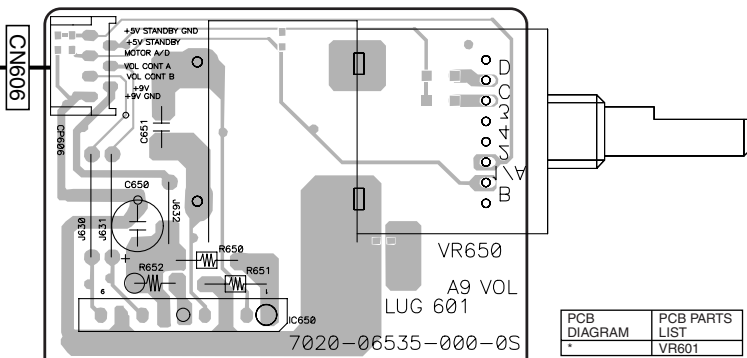
J CN704 J CN707 J CN706 K CN802 A CN103 A CN104



## SIDE B E STATION ASSY



## SIDE A C MOTOR VR ASSY (A-A9 Only)



PCB DIAGRAM	PCB PARTS LIST
*	VR601

**SIDE A**

**A** CN107

**K** CN803

**I** CN703

**I** CN702

**I** CN705

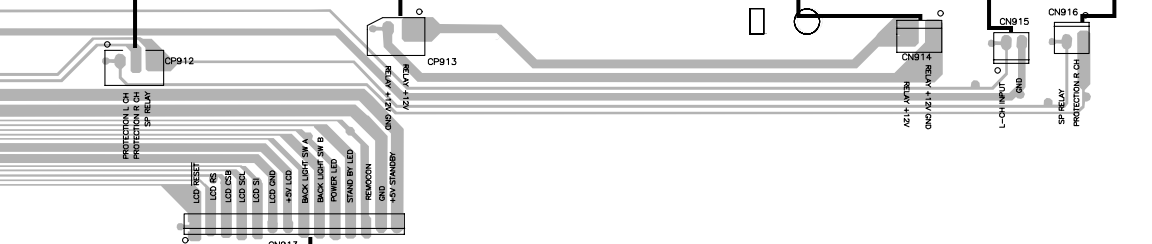
CN912

CN9913

CN914

CN915

CN916



7020-06547-000-0S

STATION

IN	ICT	QP	ADJ	FI

CN913

**A** CN113

**SIDE B**

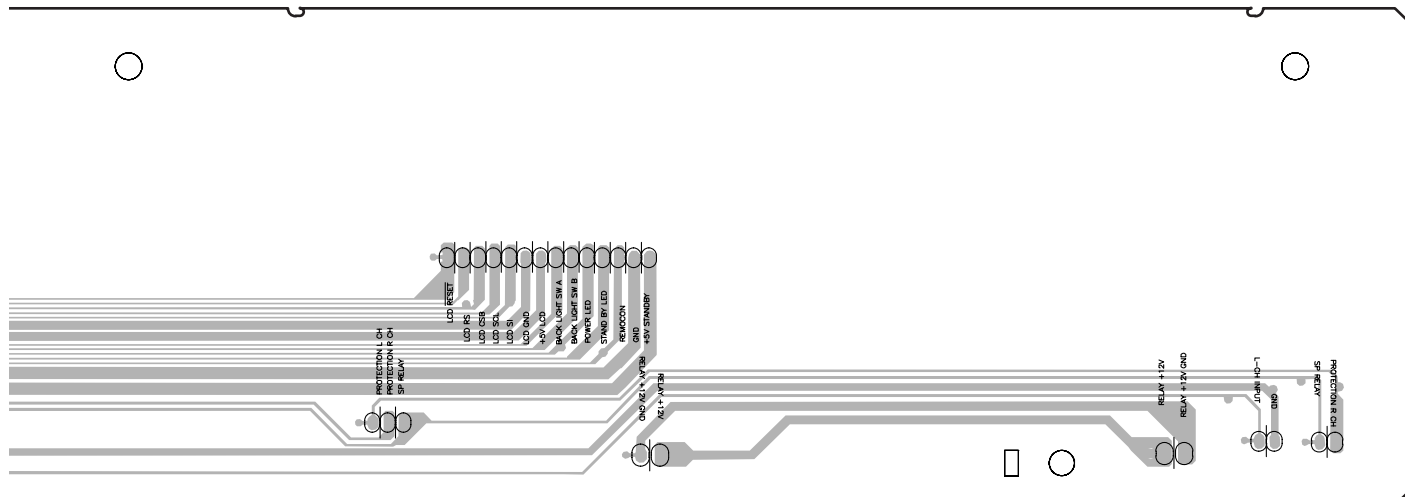
CN912

CN9913

CN914

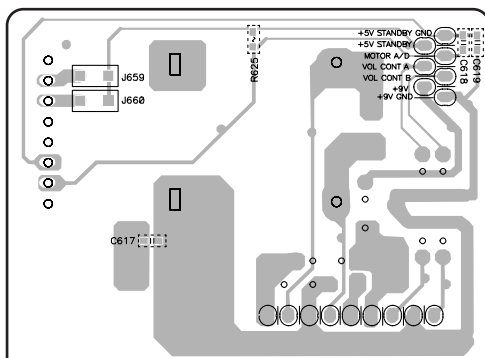
CN914

CN916



**C** MOTOR VR ASSY (A-A9 Only)

**SIDE B**



CN906

PCB DIAGRAM	PCB PARTS LIST
*	VR601

A-A9-J

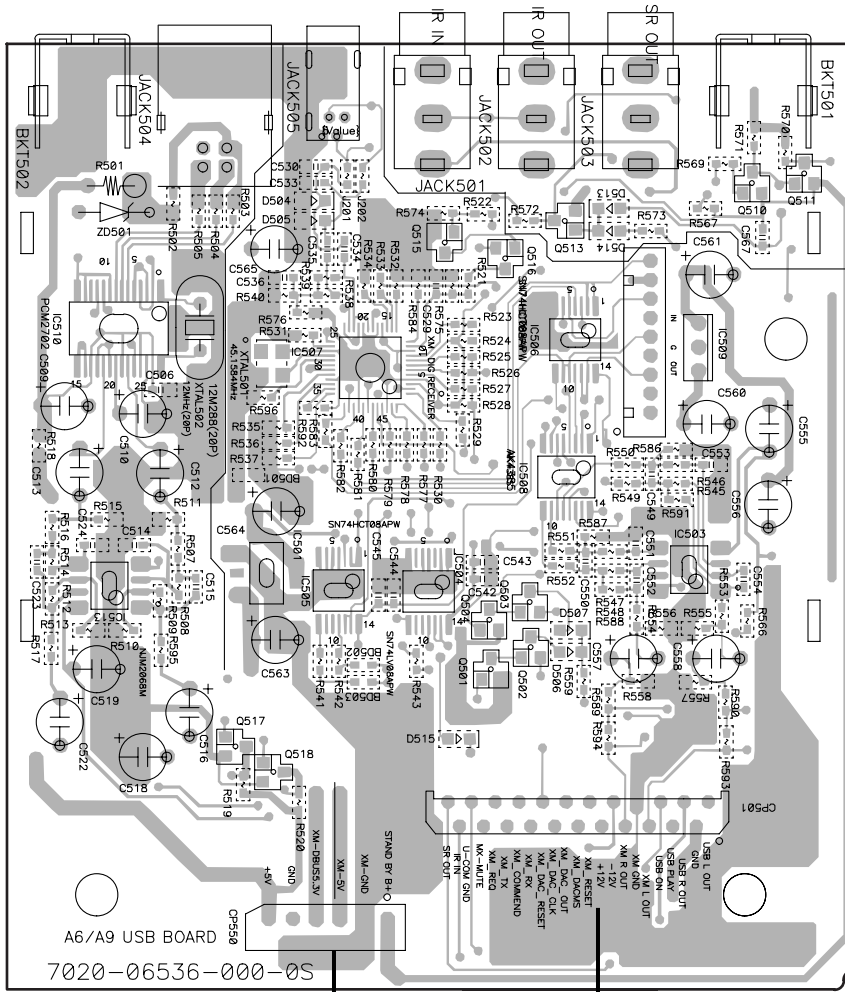
**C E**

# 4.5 XM-READY/USB ASSY

**SIDE A**

**SIDE A**

## XM READY/USB ASSY



- Q510
- Q511
- Q513
- Q515
- Q516
- IC510
- IC507
- IC506
- IC509
- IC508
- IC513
- IC505
- IC504
- Q503
- Q504
- Q502
- Q501
- Q517
- Q518

A6/A9 USB BOARD  
7020-06536-000-05

CN550      CN501

**K** CN815      **A** CN102

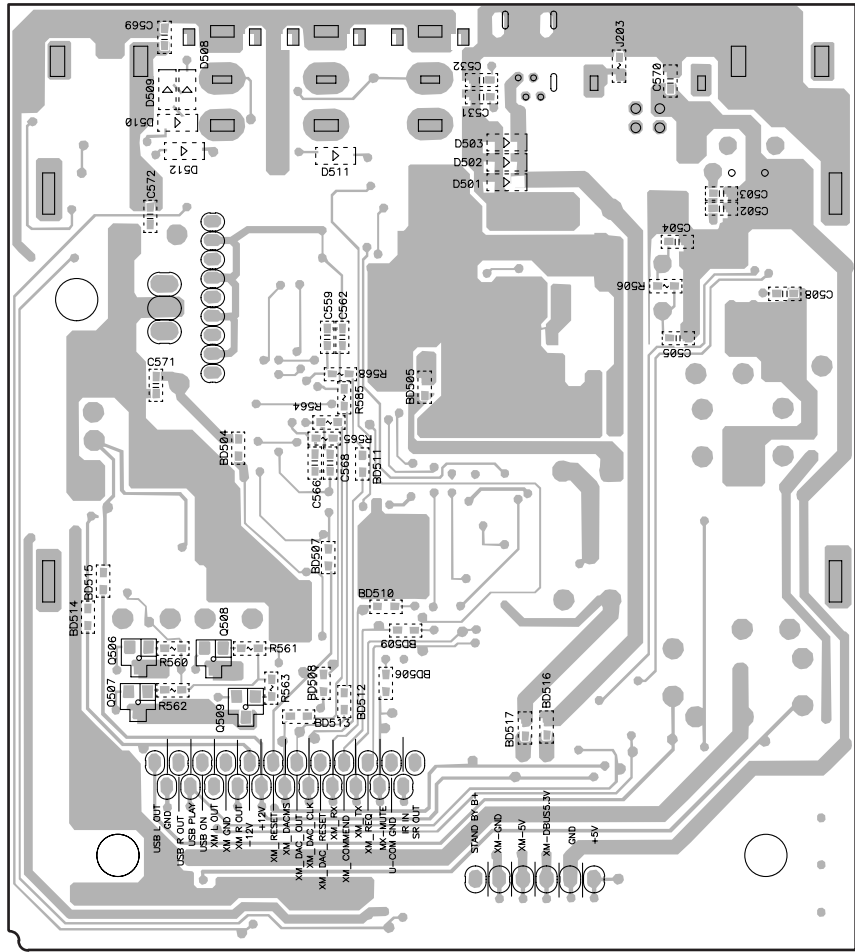
PCB DIAGRAM	PCB PARTS LIST
BKT501	501
BKT502	502
JACK503	JA503
JACK504	JA504
XTAL502	X502
ZD501	D501
GND502	502
GND503	503



SIDE B

SIDE B

# H XM READY/USB ASSY



CN501

CN550

PCB DIAGRAM	PCB PARTS LIST
BKT501	501
BKT502	502
JACK503	JA503
JACK504	JA504
XTAL502	X502
ZD501	D501
GND502	502
GND503	503



# 4.6 AMP LCH, PROTECTION L-CH and SPEAKER L-CH ASSY

**SIDE A**

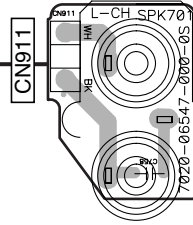
**SIDE A**

PCB DIAGRAM	PCB PARTS LIST
RV701	VR701
RV702	VR702
RELAY701	RY701
ZD701	D9701
ZD702	D9702
ZD703	D9703
ZD704	D9704
LED701	D8701
LED702	D8702
ZD707	D707
ZD708	D708

**R** SPEAKER L-CH ASSY

**I** AMP LCH ASSY

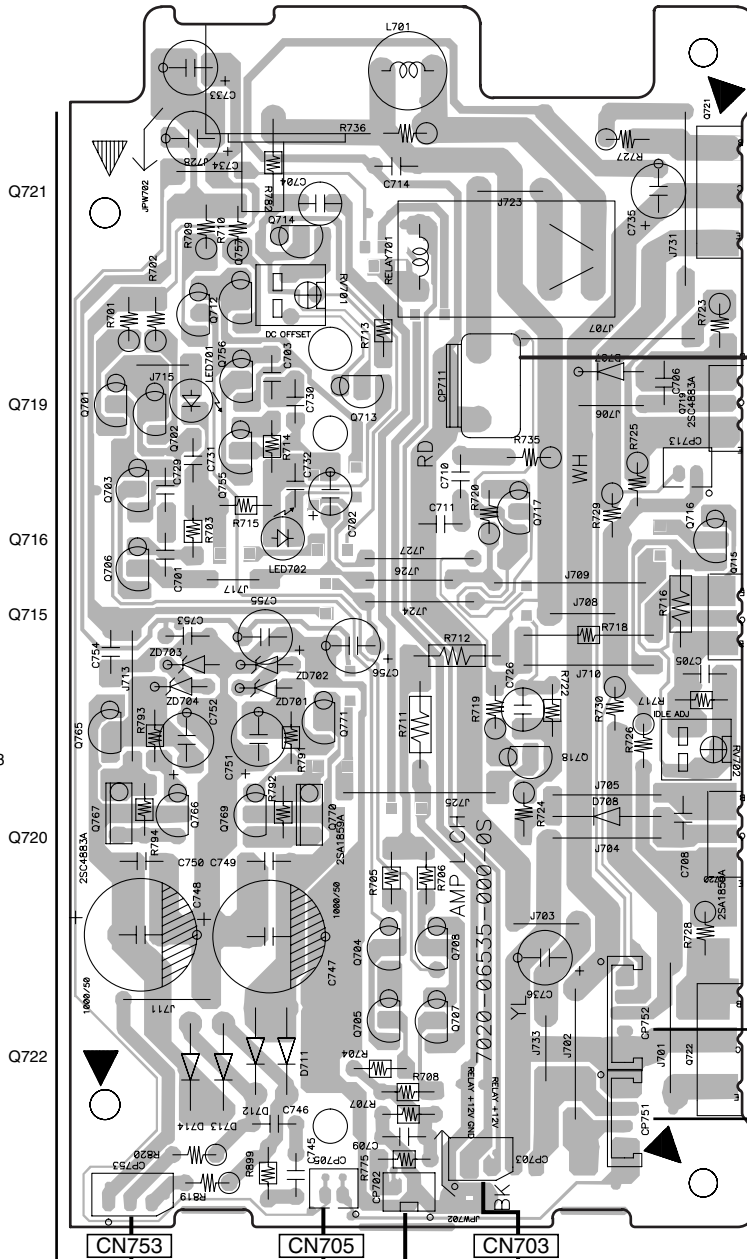
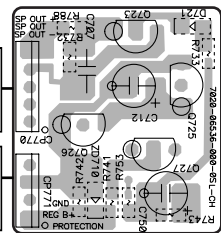
A-A6 only



A-A9 only

To.  
Speaker terminal  
L OUT

**P** PROTECTION L-CH ASSY



To. Power trans L **E** CN916 **E** CN914

**E** CN915

A-A9-J

**I P R**

**I P R**

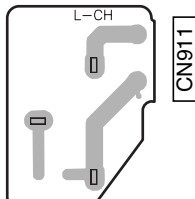


SIDE B

SIDE B

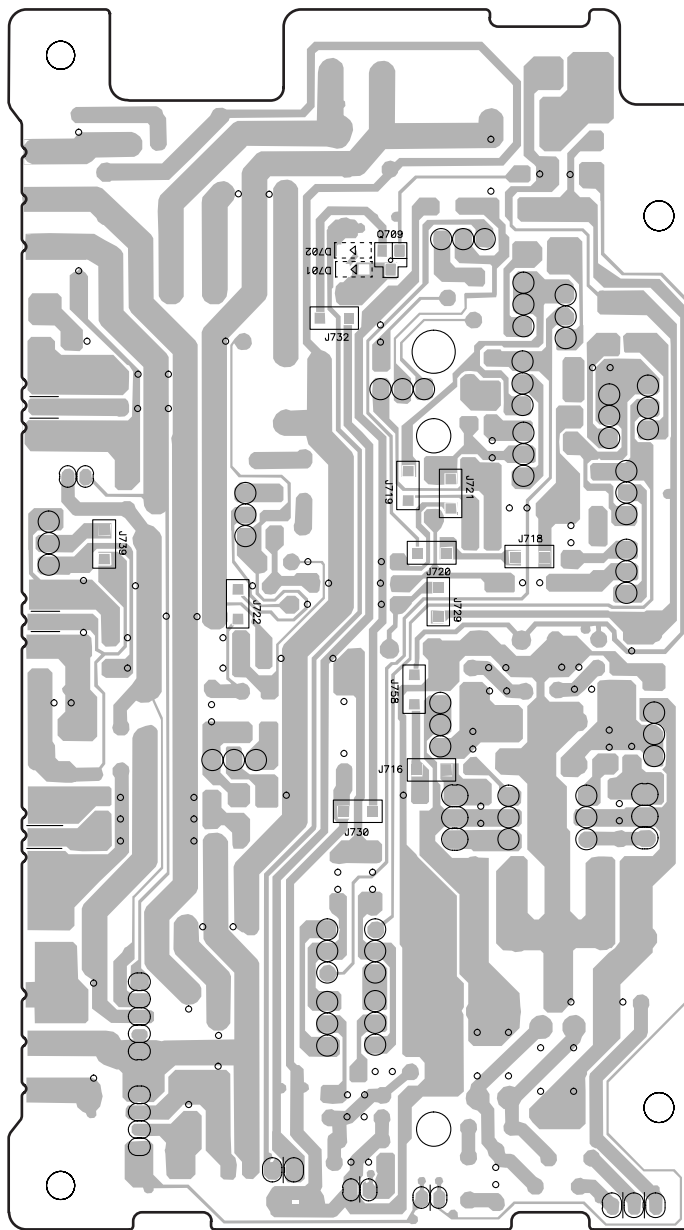
# R SPEAKER L-CH ASSY

A-A6 only

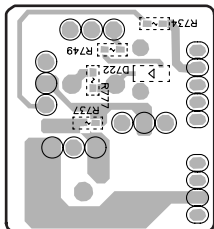


# I AMP LCH ASSY

PCB DIAGRAM	PCB PARTS LIST
RV701	VR701
RV702	VR702
RELAY701	RY701
ZD701	D9701
ZD702	D9702
ZD703	D9703
ZD704	D9704
LED701	D8701
LED702	D8702
ZD707	D707
ZD708	D708



# P PROTECTION L-CH ASSY



CN771 CN770  
 CN751 CN752

CN703

CN705

CN753

CN702

I P R

I P R

# 4.7 AMP RCH, PROTECTION R-CH and SPEAKER R-CH ASSY

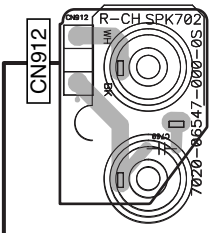
**SIDE A**

**SIDE A**

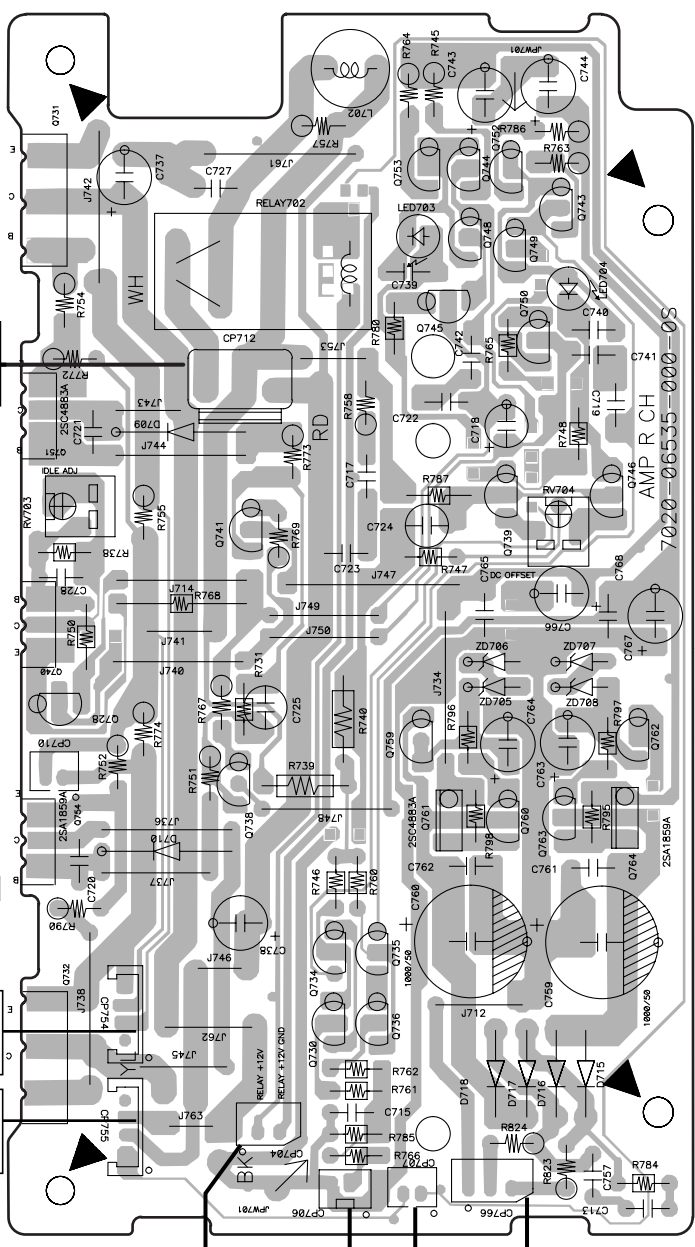
PCB DIAGRAM	PCB PARTS LIST
RELAY702	R702
RV703	VR703
RV704	VR704
ZD706	D706
LED703	D703
ZD705	D705
J716	R9716
J718	R9718
J719	R9719
J720	R9720
J721	R9721
J722	R9722
J729	R9729
J730	R9730
J732	R9732
J735	R9735
J739	R9739
J751	R9751
J752	R9752
J754	R9754
J755	R9755
J756	R9756
J757	R9757
J758	R9758
J759	R9759
J760	R9760

## S SPEAKER R-CH ASSY

A-A6 only



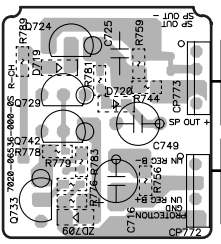
## J AMP RCH ASSY



- Q731
- Q753 Q774 Q752
- Q743
- Q748 Q749
- Q745
- Q750
- Q751
- Q739
- Q741
- Q740
- Q728
- Q759
- Q762
- Q738
- Q761 Q760 Q763 Q764
- Q754
- Q734 Q735
- Q730 Q736

A-A9 only  
To.  
Speaker terminal  
R OUT

## Q PROTECTION R-CH ASSY



**E** CN903 **E** CN904 To. Power trans R  
**E** CN905

**J Q S**

**J Q S**

A-A9-J

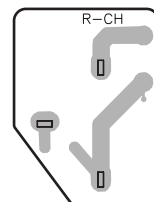
SIDE B

SIDE B

A

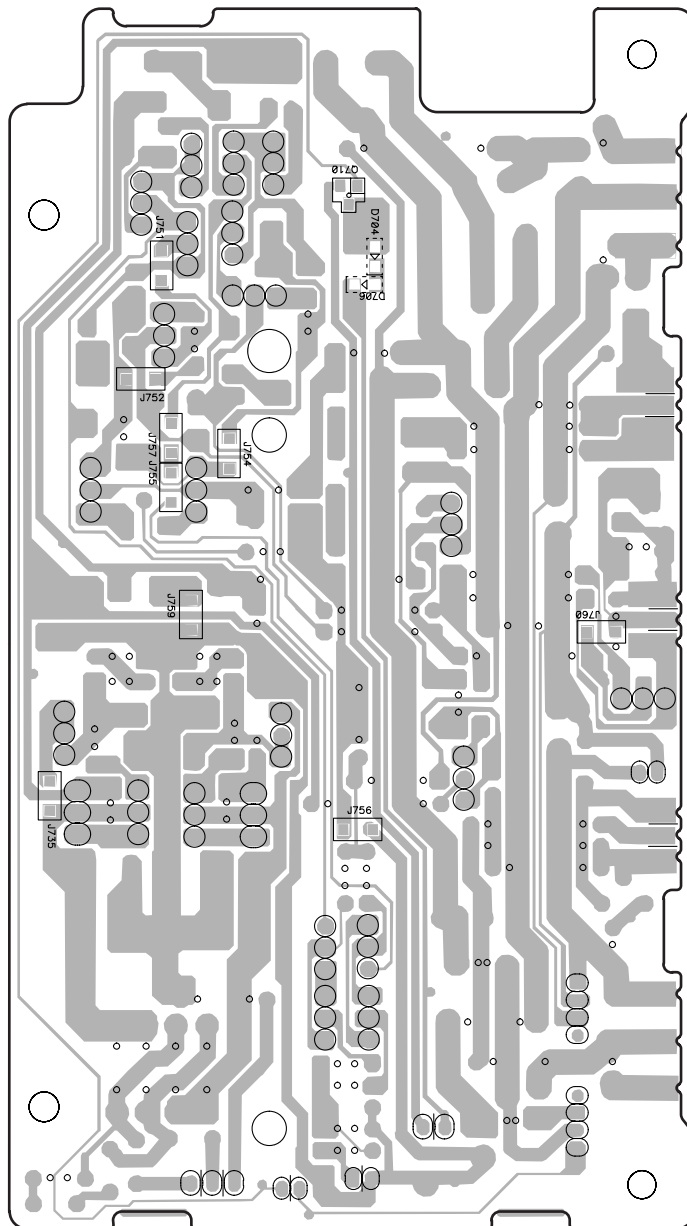
# S SPEAKER R-CH ASSY

A-A6 only



CN912

# J AMP RCH ASSY



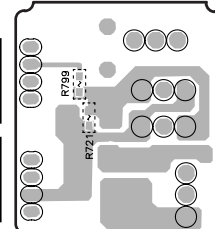
PCB DIAGRAM	PCB PARTS LIST
RELAY702	RY702
RV703	VR703
RV704	VR704
ZD706	D706
LED703	D703
ZD705	D705
J716	R9716
J718	R9718
J719	R9719
J720	R9720
J721	R9721
J722	R9722
J729	R9729
J730	R9730
J732	R9732
J735	R9735
J739	R9739
J751	R9751
J752	R9752
J754	R9754
J755	R9755
J756	R9756
J757	R9757
J758	R9758
J759	R9759
J760	R9760

B

C

D

# Q PROTECTION R-CH ASSY



CN755 CN754

CN772 CN773

E

CN766

CN707

CN704

CN706

F

J Q S

J Q S

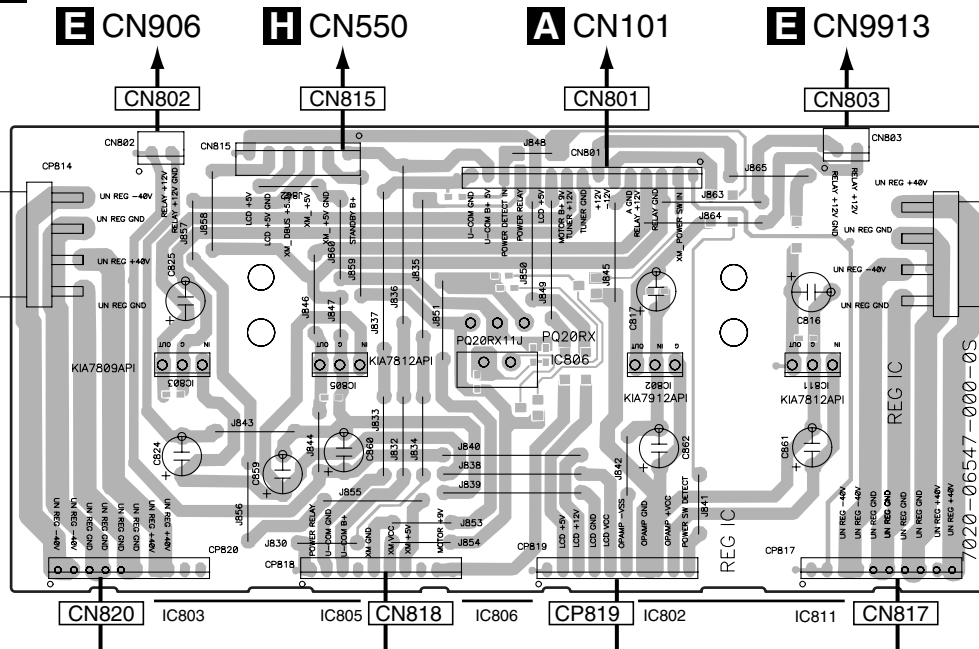
# 4.8 REG IC and POWER ASSYS

## SIDE A K REG IC ASSY

SIDE A

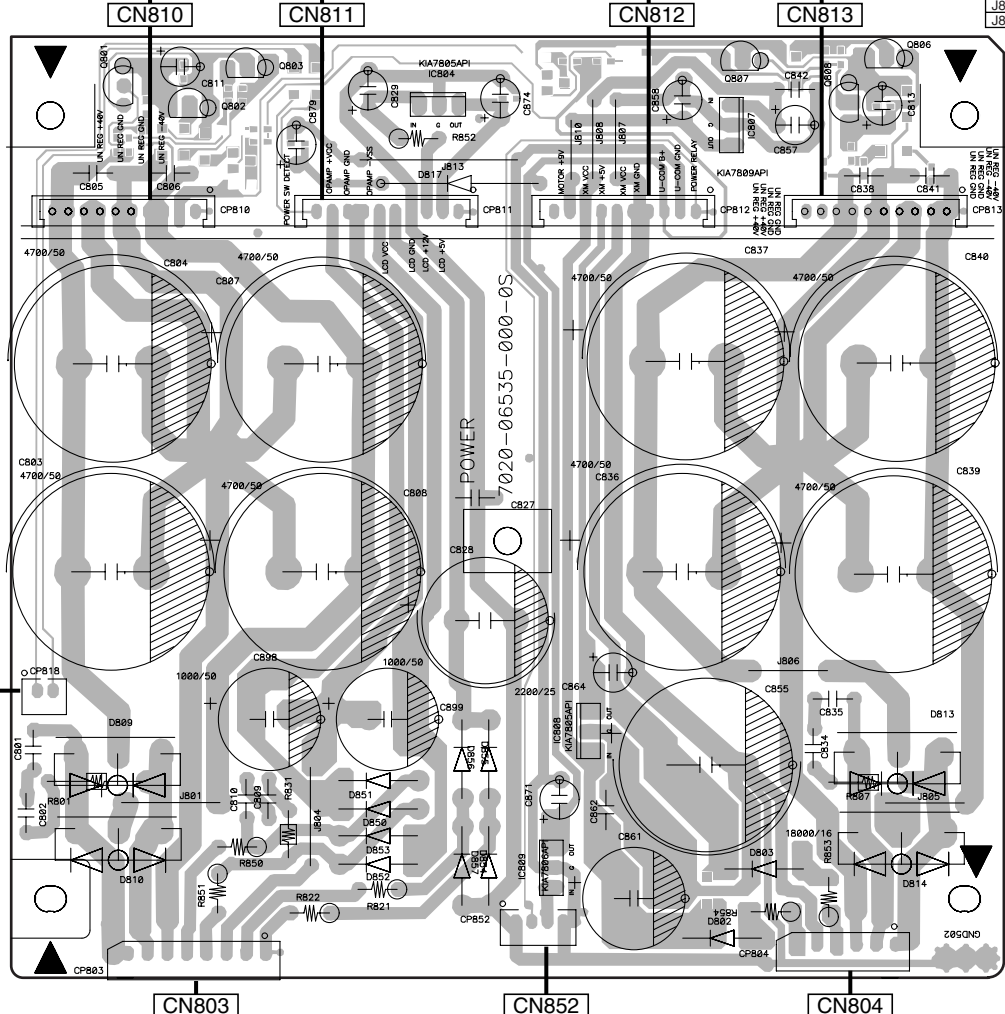
To. AMP RCH Assy

To. AMP LCH Assy



## N POWER ASSY

PCB DIAGRAM	PCB PARTS LIST
J811	F811
J812	F812
J866	F866
J867	F867



Q803 Q807 Q806  
Q801 Q802 IC804 Q808  
IC807

## M CN708

To. Power trans L

L CN804

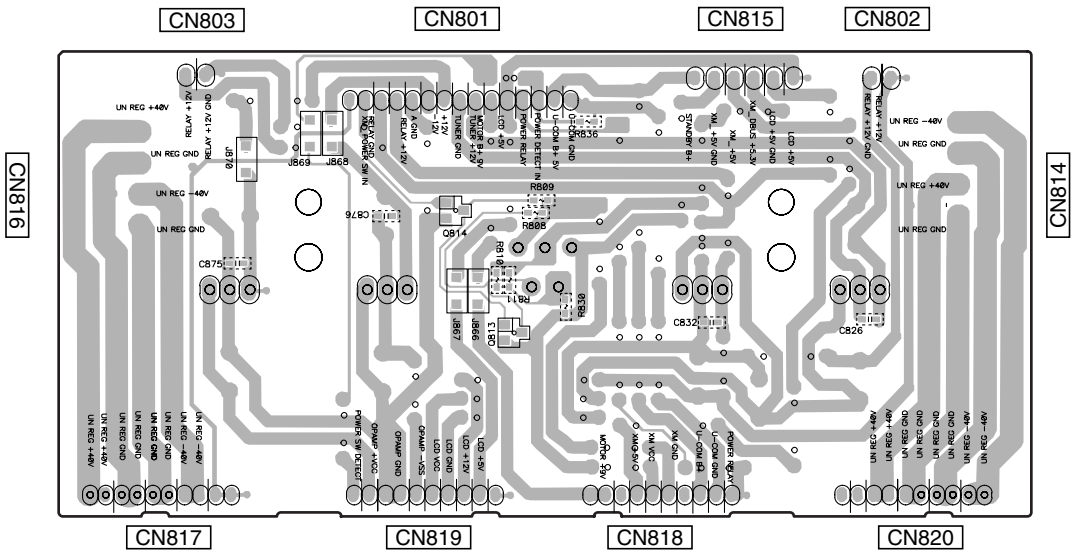
To. Power trans R

## K N

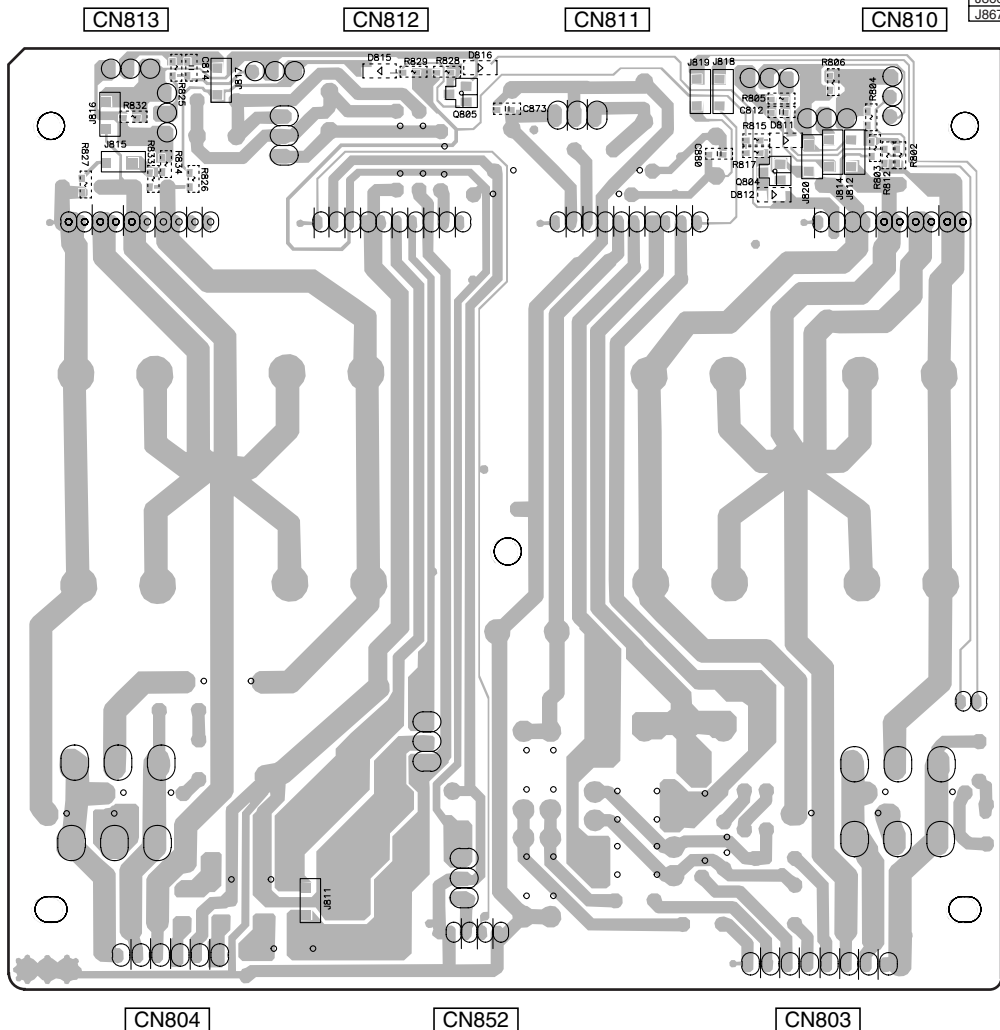
SIDE B

SIDE B

# K REG IC ASSY



# N POWER ASSY



PCB DIAGRAM	PCB PARTS LIST
J811	R811
J812	R812
J866	R866
J867	R867

K N

K N

# 5. PCB PARTS LIST

NOTES: ● Parts marked by "NSP" are generally unavailable because they are not in our Master Spare Parts List.  
 ● The  $\Delta$  mark found on some component parts indicates the importance of the safety factor of the part. Therefore, when replacing, be sure to use parts of identical designation.  
 ● When ordering resistors, first convert resistance values into code form as shown in the following examples.  
 Ex.1 When there are 2 effective digits (any digit apart from 0), such as 560 ohm and 47k ohm (tolerance is shown by J=5%, and K=10%).

560  $\Omega$   $\rightarrow$   $56 \times 10^1$   $\rightarrow$  561 ..... RD1/4PU  $\overline{5}$  $\overline{6}$  $\overline{7}$ J  
 47k  $\Omega$   $\rightarrow$   $47 \times 10^3$   $\rightarrow$  473 ..... RD1/4PU  $\overline{4}$  $\overline{7}$  $\overline{3}$ J  
 0.5  $\Omega$   $\rightarrow$  R50 ..... RN2H  $\overline{R}$  $\overline{5}$  $\overline{0}$ K  
 1  $\Omega$   $\rightarrow$  1R0 ..... RS1P  $\overline{1}$  $\overline{R}$  $\overline{0}$ K

Ex.2 When there are 3 effective digits (such as in high precision metal film resistors).  
 5.62k  $\Omega$   $\rightarrow$   $562 \times 10^1$   $\rightarrow$  5621 ..... RN1/4PC  $\overline{5}$  $\overline{6}$  $\overline{2}$  $\overline{1}$ F

## LIST OF ASSEMBLIES

Mark	Symbol and Description	A-A9-J	A-A6-J
NSP	1..PCB TOTAL ASSY	7025HA0604010-IL	7025HA0603010-IL
	2.SUB TRANS ASSY	702806535A060-IL	702806535A010-IL
	2.HEADPHONE ASSY	702806535B060-IL	702806535B060-IL
	2.AMP LCH ASSY	7028065351010-IL	7028065351010-IL
	2.AMP RCH ASSY	7028065352010-IL	7028065352010-IL
	2.POWER ASSY	7028065353060-IL	7028065353010-IL
	2.FRONT ASSY	7028065354060-IL	7028065354010-IL
	2.MOTOR VR ASSY	7028065355060-IL	Not used
	2.REMOCON ASSY	7028065356060-IL	7028065356010-IL
	2.POWER SW ASSY	7028065357060-IL	7028065357010-IL
	2.POWER LED ASSY	7028065358060-IL	7028065358010-IL
	2.VR ASSY	7028065359060-IL	7028065359010-IL
	NSP	1..PCB TOTAL ASSY	7025HA0604011-IL
2.FUNCTION ASSY		7028065361060-IL	7028065361010-IL
2.XM-READY/USB ASSY		7028065362060-IL	7028065362010-IL
2.PROTECTION L-CH ASSY		7028065363010-IL	7028065363010-IL
2.PROTECTION R-CH ASSY		7028065364010-IL	7028065364010-IL
NSP	1..PCB TOTAL ASSY	7025HA0604012-IL	7025HA0603012-IL
	2.STATION ASSY	7028065461020-IL	7028065461010-IL
	2.SPEAKER L-CH ASSY	Not used	7028065462010-IL
	2.SPEAKER R-CH ASSY	Not used	7028065463010-IL
	2.REG IC ASSY	7028065471020-IL	7028065471010-IL

## CONTRAST OF PCB ASSEMBLIES

### B FRONT ASSY

7028065354060-IL and 7028065354010-IL are constructed the same except for the following:

Mark	Symbol and Description	7028065354060-IL	7028065354010-IL
	Q601, Q603, Q604, Q607, Q611 STOPPER	D010221167160-IL 4380210081000-IL	J522107S00210-IL Not used

### D REMOCON ASSY

7028065356060-IL and 7028065356010-IL are constructed the same except for the following:

Mark	Symbol and Description	7028065356060-IL	7028065356010-IL
	C116 C605	D040100083130-IL Not used	Not used D040100083130-IL

### E STATION ASSY

7028065461020-IL and 7028065461010-IL are constructed the same except for the following:

Mark	Symbol and Description	7028065461020-IL	7028065461010-IL
	CN909 CN9916	L000141070010-IL L131100700010-IL	Not used Not used



**Mark No. Description****Part No.****Mark No. Description****Part No.**

C0159, C0160, C0176, C0177

D010331167160-IL

Q0103, Q0106

J5021845F0000-IL

C0180, C0181

D010820167160-IL

Q0122

J520010100010-IL

C0122, C0124, C0157, C0161

D011103777160-IL

Q0115

J520010200210-IL

C0166, C0167, C0210, C0211

D011103777160-IL

Q0128

J520015040150-IL

C0168, C0169, C0199, C0200

D011104577161-IL

Q0121

J522038750210-IL

C0103, C0104

D011153777160-IL

Q0116, Q0123

J522107S00210-IL

C0153, C0156, C0198, C0201

D011223777160-IL

Q0111, Q0112, Q0124-Q0127

J5222875B0010-IL

C0152, C0154

D020154078050-IL

Q0101, Q0102, Q0104, Q0105

J5410369G0010-IL

C0115, C0116

D020183078060-IL

D0101-D0105, D0110, D0111

K005041480020-IL

C0151, C0155

D020473167050-IL

D0115-D0120

K005041480020-IL

C0111, C0112

D020683167060-IL

D9101, D9102

K06605R14P400-IL

C0193

D040010087150-IL

**CAPACITORS**

C0208

D0400R1087050-IL

C0113, C0114

D004122287050-IL

C0119-C0121, C0123, C0149, C0150

D040100087070-IL

C0117, C0118

D004472277050-IL

C0178, C0186-C0189, C0191, C0192

D040100087070-IL

C0124, C0215

D010101167160-IL

C0205, C0207, C0228, C0229

D040100087070-IL

C0101, C0102, C0125, C0126

D010221167160-IL

C0232-C0235

D040100087070-IL

C0129, C0130, C0133, C0134

D010221167160-IL

C0109, C0110

D040101082090-IL

C0137, C0138, C0142, C0163

D010221167160-IL

C0107, C0108, C0127, C0128

D040220083070-IL

C0182, C0183, C0217-C0221, C0223

D010221167160-IL

C0131, C0132, C0135, C0136

D040220083070-IL

C0226, C0227, C0240, C0241, C1421

D010221167160-IL

C0139, C0140, C0144, C0147, C0148

D040220083070-IL

C2231

D010221167160-IL

C1441

D040220083070-IL

C0159, C0160, C0176, C0177

D010331167160-IL

C0212

D040221081060-IL

C0180, C0181

D010820167160-IL

C0213, C0216

D040221082090-IL

C0122, C0124, C0157, C0161

D011103777160-IL

C0190, C0242

D0402R2087160-IL

C0166, C0167, C0210, C0211

D011103777160-IL

C0105, C0106

D040470082060-IL

C0199, C0200

D011104577161-IL

C0158, C0162, C0179, C0236-C0239

D040470083080-IL

C0103, C0104

D011153777160-IL

C0209

D090473904010-IL

C0153, C0156, C0198, C0201

D011223777160-IL

**RESISTORS**

R0193, R0194

C00001046P520-IL

R0213, R0214

C060022065050-IL

R0252, R0253

C060033065050-IL

Other Resistors

RS1/16S###J

C0111, C0112

D020183078060-IL

C0151, C0155

D020473167050-IL

C0111, C0112

D020683167060-IL

C0193

D040010087150-IL

C0208

D0400R1087050-IL

C0119-C0121, C0123, C0149, C0150

D040100087070-IL

C0178, C0186-C0189, C0191, C0192

D040100087070-IL

C0228, C0229

D040100087070-IL

C0109, C0110

D040101082090-IL

C0107, C0108, C0127, C0128

D040220083070-IL

C0131, C0132, C0135, C0136

D040220083070-IL

C0139, C0140, C0144, C1441

D040220083070-IL

C0212

D040221081060-IL

C0213, C0216

D040221082090-IL

C0190, C0242

D0402R2087160-IL

C0105, C0106

D040470082060-IL

C0158, C0162, C0179, C0236-C0239

D040470083080-IL

C0209

D090473904010-IL

**RESISTORS**

R0193, R0194

C00001046P520-IL

R0213, R0214

C060022065050-IL

R0252, R0253

C060033065050-IL

Other Resistors

RS1/16S###J

**OTHERS**

X0101 RESONATOR,CERAMIC

E830200010010-IL

JA0101 TER,RCA 2PIN

G601207BG020Y-IL

JA0103 TER,RCA 4PIN

G602617AG020Y-IL

JA0102 TER,RCA 6PIN

G603617AG04GY-IL

CN0107 CN,WIRE

L000141030100-IL

CN0104 CN,WIRE

L000161020070-IL

**A FUNCTION ASSY (A-A6-J)****SEMICONDUCTORS**

IC0109

J000240640010-IL

IC0102

J020780536000-IL

IC0101

J084152050010-IL

IC0106-IC0108

J121206800020-IL

IC0511

J125704200010-IL

IC0112

J126780800190-IL

IC0111

J126790800090-IL



Mark No.	Description	Part No.
CN0103	CN,WIRE	L000161020080-IL
CN0110	CONNECTOR(10P)	L101220100000-IL
CN0101, CN0113	CN.WAFER 2.0MM	L101220140000-IL
CN9104	CN.WAFER 2.0MM	L101530140710-IL
CN9103	CN.WAFER 2.5MM	L102526700400-IL
CN0102	CN.FPC 1.25MM	L131112300010-IL
J0101	PIN JUMPER	L424000040000-IL

## **B** FRONT ASSY SEMICONDUCTORS

Q0603, Q0604, Q0607, Q0611	D010221167160-IL
Q0605, Q0606, Q0608	J522038750210-IL
D0515-D0517	K005016000010-IL
D0601	K500032101061-IL
D0604-D0606	K500059000010-IL

## **CAPACITORS**

C0609, C0611-C0614, Q0601	D010221167160-IL
C0615	D010561167160-IL
C0608	D011103777163-IL
C0607	D040100083050-IL

## **RESISTORS**

R9656, R9658, R9812	RS1/8S0R0J
Other Resistors	RS1/16S###J

## **OTHERS**

V0601 LCD MODULE	AAV7111
CN0681 CN.WAFER 2.0MM	L101220020000-IL
CN0680 CONNECTOR(3P)	L101220030000-IL
CN0608 CONNECTOR	L131101400010-IL
0000 SHEET	1210210382000-IL
0000 HOUSING	3050210051000-IL
0000 HOUSING	4310212951000-IL
0000 COVER	4310212961000-IL
0000 COVER	4380210081000-IL
0000 STOPPER	5070212313000-IL

## **C** MOTOR VR ASSY(A-A9-J Only) SEMICONDUCTORS

IC0650	J127695600010-IL
--------	------------------

## **CAPACITORS**

C0651	D006104597050-IL
C0617-C0619	D011103777163-IL
C0650	D040101083070-IL

## **RESISTORS**

R0650, R0651	C00001036P520-IL
R0652	C0602R2063050-IL
R0659, R0660	RS1/8S0R0J
VR0601 VR,ROTARY MOTOR	C495121400350-IL
Other Resistors	RS1/16S###J

## **OTHERS**

CN0606 CN.FPC 1.25MM	L131100700010-IL
----------------------	------------------

## **D** REMOCON ASSY CAPACITORS

C0610	D011103777160-IL
C0116	D040100083130-IL

Mark No.	Description	Part No.
<b>RESISTORS</b>		
All Resistors		RS1/16S###J

## **OTHERS**

0601 MODULE REMOCON	E940633800000-IL
CN0680 CN,WIRE	L000800030110-IL

## **E** STATION ASSY OTHERS

CN0910 CN,WIRE	L000101100080-IL
CN0913 CN,WIRE	L000101140070-IL
CN0909 CN,WIRE	L000141070010-IL
CN0905 CN,WIRE	L000800020140-IL
CN0915 CN,WIRE	L000800020150-IL

CN0903, CN0914 CN,WIRE	L000800020160-IL
CN0904, CN0916 CN,WIRE	L000800020170-IL
CN0908 CN.WAFER 2.0MM	L101220020000-IL
CN0912 CONNECTOR(3P)	L101220030000-IL
CN0907 N.WAFER 2.0MM	L101530140210-IL

CN0906, CN9913 CONNECTOR(2P)	L102526700200-IL
CN9916 CN.FPC 1.25MM	L131100700010-IL
CN9915 CN.FPC 1.25MM	L131101000020-IL
CN9914 CONNECTOR	L131101400010-IL

## **F** POWER LED ASSY SEMICONDUCTORS

D0603	K500036000080-IL
-------	------------------

## **OTHERS**

CN0682 CN,WIRE	L000800020170-IL
0000 STOPPER	4380210081000-IL

## **G** VR ASSY SEMICONDUCTORS

Q0602	J522010200210-IL
D0602	K500032101061-IL

## **SWITCHES AND RELAYS**

S0602	G121162400050-IL
S0601	G180000270010-IL

## **CAPACITORS**

C0603, C0604	D011103777163-IL
--------------	------------------

## **RESISTORS**

R0609	C00001236P520-IL
R0612	C00005616P520-IL
R9605	RS1/8S0R0J
Other Resistors	RS1/16S###J

## **OTHERS**

CN0607 CN.FPC 1.25MM	L131101000020-IL
0000 STOPPER	4380210081000-IL

## **H** XM READY/USB ASSY (A-A9-J) SEMICONDUCTORS

IC0510	J042270200010-IL
IC0513	J121206800020-IL
Q0513, Q0517, Q0518	J522107S00210-IL

1

2

3

4

**Mark No. Description**D0511, D0514  
D0501**Part No.**K005041480020-IL  
K06003R344520-IL**Mark No. Description****COILS AND FILTERS**

L0701 COIL

**Part No.**

D330R15000000-IL

**A CAPACITORS**C0572  
C0504, C0505  
C0514, C0515, C0523, C0524  
C0569, C0570  
C0502, C0503, C0506, C0508C20000006M160-IL  
D010300167160-IL  
D010681167160-IL  
D011103777160-IL  
D011104577161-IL**SWITCHES AND RELAYS**

RY0701 RELAY

G680120528010-IL

C0509, C0510, C0512, C0513, C0516  
C0518, C0519, C0522D040100087070-IL  
D040100087070-IL**CAPACITORS**C0701, C0703, C0729, C0730  
C0706, C0708  
C0705  
C0942, C0950, C745, C746  
C0714D000150167070-IL  
D000330167060-IL  
D004102277050-IL  
D00410359D050-IL  
D004222277050-IL**RESISTORS**R0501  
Other ResistorsC060022063050-IL  
RS1/16S###JC0753, C0754  
C0710, C0711, C0731, C0732  
C0709  
C0735, C0736  
C0747, C0748D020103167050-IL  
D020104167050-IL  
D02122106C010-IL  
CEAT101M50  
CEAT102M50**OTHERS**0501, 0502 SHIELD  
X0502 CRYSTAL  
JA0503 JACK, D3.5  
JA0504 CN, PLUG CONTACT  
CN0550 CONNECTOR(6P)  
CN0501 CN.FPC 1.25MM  
0000 SHIELD3070045526010-IL  
E80012R000080-IL  
G40130802000Y-IL  
G480670680010-IL  
L102526700600-IL  
L131112300010-IL  
3070210286000-ILC0733, C0734, C0751, C0752  
C0755, C0756  
C0702  
C0704  
C0726CEAT220M50  
CEAT220M50  
CEAT470M25  
CEANP100M16  
CEANP470M10**RESISTORS**R0703, R0713, R0714  
R0712  
R0782  
R0704, R0708  
R0775RD1/4PU101J  
C000015263520-IL  
C00001556P520-IL  
RD1/4PU220J  
RD1/4PU221JR0718  
R0717  
R0791, R0793  
R0715  
R0711RD1/4PU222J  
RD1/4PU223J  
RD1/4PU334J  
RD1/4PU334J  
C000047063520-ILR0705, R0706  
R0722  
R0716  
R0707  
R0792, R0794RD1/4PU470J  
RD1/4PU471J  
RD1/4PU472J  
RD1/4PU473J  
RD1/4PU681JR0899  
R0735, R0736  
R0723, R0724  
R0701, R0702, R0709, R0710  
R0719, R0720C0004R706P520-IL  
C060010065050-IL  
C060022063050-IL  
C060022163050-IL  
C060022163050-ILR0725, R0726  
R0727, R0728  
R0819, R0820  
R0729, R0730  
R9716, R9718-R9722, R9729, R9730C060033065050-IL  
C0604R7063050-IL  
C060R22065050-IL  
C060R22066050-IL  
RS1/8S0R0JR9732, R9739, R9758  
VR0701 VR, SEMI CARBON MOLD  
VR0702 VR, SEMI CARBON MOLDRS1/8S0R0J  
C541202115000-IL  
C541503115000-IL**OTHERS**CN0000 CN, WIRE  
CN0751 CONNECTOR(4P)  
CN0752 CN.WAFER 2.0MM  
CN0705, CN0713 CN.WAFER 2.0MM  
CN0702 CN.WAFER 2.0MML000281040050-IL  
L101100040410-IL  
L101100040510-IL  
L101220020000-IL  
L101530140210-ILCN0703 CONNECTOR(2P)  
CN0753 CONNECTOR(3P)L102526700200-IL  
L102526700300-IL**H XM READY/USB ASSY (A-A6-J)  
SEMICONDUCTORS**Q0513  
D0511, D0514J522107S00210-IL  
K005041480020-IL**CAPACITORS**

C0569, C0570

D011103777160-IL

**RESISTORS**

All Resistors

RS1/16S###J

**OTHERS**0501, 0502 SHIELD  
JA0503 JACK, D3.5  
CN0550 CONNECTOR(6P)  
CN0501 CN.FPC 1.25MM3070045526010-IL  
G40130802000Y-IL  
L102526700600-IL  
L131112300010-IL**I AMP LCH ASSY  
SEMICONDUCTORS**Q0720, Q0770  
Q0719, Q0767  
Q0701-Q0703, Q0706  
Q0769  
Q07182SA1859A  
2SC4883A  
2SA970  
J5001023Y0050-IL  
2SA1145Q0766  
Q0709  
Q0712, Q0755-Q0757  
Q0716, Q0717  
Q0707J5021027Y0020-IL  
J522107S00210-IL  
2SC2240  
2SC2705  
2SJ79Q0708, Q0713  
Q0705  
Q0704, Q0714, Q0765, Q0771  
D0711-D0714  
D0701, D07022SJ103  
2SK170  
2SK246  
K000400700520-IL  
K005041480020-ILD9701-D9704  
D8701, D8702  
D0707, D0708K06020R044520-IL  
K500036000080-IL  
1SS133

1

2

3

4

5	6	
Mark No.	Description	Part No.
CN0711	CONNECTOR	L108202000220-IL
<b>J AMP RCH ASSY SEMICONDUCTORS</b>		
Q0754, Q0764	2SA1859A	
Q0751, Q0761	2SC4883A	
Q0743, Q0749, Q0750, Q0752	2SA970	
Q0763	J5001023Y0050-IL	
Q0738	2SA1145	
Q0760	J5021027Y0020-IL	
Q0744, Q0745, Q0748, Q0753	2SC2240	
Q0728, Q0741	2SC2705	
Q0610	J522107S00210-IL	
Q0730	2SJ74	
Q0734, Q0739	2SJ103	
Q0736	2SK170	
Q0735, Q0746, Q0759, Q0762	2SK246	
D0709, D0710	1SS133	
D0715-D0718	K000400700520-IL	
D0704, D0706	K005041480020-IL	
D9705, D9707, D9708, D9706	K06020R044520-IL	
D8703, D8704	K500036000080-IL	

**COILS AND FILTERS**

L0702 COIL D330R15000000-IL

**SWITCHES AND RELAYS**

RY0702 RELAY G680120528010-IL

**CAPACITORS**

C0719, C0722, C0741, C0742 D000150067050-IL  
 C0720, C0721 D000330167060-IL  
 C0728 D004102277050-IL  
 C0713, C0757 D00410359D050-IL  
 C0727 D004222277050-IL

C0765, C0768 D020103167050-IL  
 C0717, C0723, C0739, C0740 D020104167050-IL  
 C0715 D02122106C010-IL  
 C0737, C0738 CEAT101M50  
 C0759, C0760 CEAT102M50

C0743, C0744, C0763, C0764 CEAT220M50  
 C0766, C0767 CEAT220M50  
 C0718 CEAT470M25  
 C0724 CEANP100M16  
 C0725 CEANP470M10

**RESISTORS**

R0747, R0765, R0780 RD1/4PU101J  
 R0739 C000015263520-IL  
 R0787 C00001556P520-IL  
 R0761, R0762 RD1/4PU220J  
 R0766 RD1/4PU221J

R0768 RD1/4PU222J  
 R0738 RD1/4PU223J  
 R0796, R0797 RD1/4PU334J  
 R0748 RD1/4PU334J  
 R0740 C000047063520-IL

R0746, R0760 RD1/4PU470J  
 R0731 RD1/4PU471J  
 R0750 RD1/4PU472J  
 R0785 RD1/4PU473J  
 R0795, R0798 RD1/4PU681J

7	8	
Mark No.	Description	Part No.
R0784		C0004R706P520-IL
R0757, R0758		C060010065050-IL
R0751, R0773		C060022063050-IL
R0745, R0763, R0764, R0767, R0769		C060022163050-IL
R0786		C060022163050-IL
R0752, R0772		C060033065050-IL
R0754, R0790		C0604R7063050-IL
R0823, R0824		C060R22065050-IL
R0755, R0774		C060R22066050-IL
R9735, R9751, R9752, R9754-R9757		RS1/8S0R0J
R9759, R9760		RS1/8S0R0J
VR0704 VR, SEMI CARBON MOLD		C541202115000-IL
VR0703 VR, SEMI CARBON MOLD		C541503115000-IL
<b>OTHERS</b>		
CN0000 CN, WIRE		L000281040060-IL
CN0754, CN0755 CONNECTOR(4P)		L101100040410-IL
CN0707, CN0710 CN.WAFER 2.0MM		L101220020000-IL
CN0706 CN.WAFER 2.0MM		L101530140210-IL
CN0704 CONNECTOR(2P)		L102526700200-IL
CN0766 CONNECTOR(3P)		L102526700300-IL
CN0712 CONNECTOR		L108202000220-IL

**K REG IC ASSY SEMICONDUCTORS**

IC0806 J126201100020-IL  
 IC0803 J126780900020-IL  
 IC0805, IC0811 J126781200040-IL  
 IC0802 J126791200060-IL  
 Q0813, Q0814 J522010200210-IL

**CAPACITORS**

C0826, C0832, C0875, C0876 D011103597160-IL  
 C0816, C0817, C0824, C0825 D040470084070-IL  
 C0859-C0862 D040470084070-IL

**RESISTORS**

R0866, R0867 RS1/8S0R0J  
 Other Resistors RS1/16S###J

**OTHERS**

CN0801 CN, WIRE L000101140070-IL  
 CN0815 CN, WIRE L000141060020-IL  
 CN0802, CN0803 CN, WIRE L000600020040-IL  
 CN0810-CN0813 CN.WAFER 2.0MM L101100031010-IL  
 CN0814, CN0816 CN.WAFER 3.96MM L104359780420-IL

0000 HEAT SINK 2120211008000-IL  
 0000 SCREW B020030081B10-IL

**L SUB TRANS ASSY SEMICONDUCTORS**

Q0815 J522038750210-IL  
 D0805-D0808 K000400700520-IL  
 D0804, D0818 K005041480020-IL

**SWITCHES AND RELAYS**

RY0651 RELAY G680090502010-IL

**CAPACITORS**

C0868 D004103277050-IL  
 C0866 D00410359D050-IL

**Mark No. Description**C0881  
C0870  
C0652**Part No.**D00847208H010-IL  
D011102777160-IL  
D040471083080-IL**Mark No. Description**R0853, R0854  
R0811-R820**Part No.**C060R22065050-IL  
RS1/8S0R0J

A

**RESISTORS**R0813  
Other ResistorsC00004726P520-IL  
RS1/16S###J**OTHERS**0502 TERMINAL  
CN0810-CN0813 CN.WAFER 2.0MM  
CN0818 CN.WAFER 2.0MM  
CN0852 CN.WAFER 2.0MM  
CN0804 CONNECTOR(6P)3790040886000-IL  
L101100041010-IL  
L101220020000-IL  
L101220040000-IL  
L102526700300-IL**OTHERS**△T0801 POWER TRANS  
△FU0000 FUSE(T4A)  
F0651, F0801 HOLDER,FUSE CLIP  
CN0804 CN,WIRE  
CN0301 CONNECTOR8200280150330-IL  
AEK1060  
G645000050010-IL  
L000351040100-IL  
L108202000220-IL

CN0803 CN.WAFER 2.5MM

L102526700600-IL

B

CN0653 CN.WAFER 7.92MM  
CN0802 CN.WAFER 7.92MM  
CN0801 CN.WAFER 7.92MM  
0000 LABELL108353280260-IL  
L108353280270-IL  
L108353280290-IL  
5507000000630-IL**HEADPHONE ASSY  
CAPACITORS**C0653,C0654  
C0616D010221167160-IL  
D011103777163-IL**OTHERS**0503 TERMINAL  
JA0601 JACK,D6.5  
CN0651 CN,WIRE3790040886000-IL  
G402PJ612AG0Y-IL  
L000501040040-IL**POWER SW ASSY  
SWITCHES AND RELAYS**

△S0801 POWER SWITCH

VSA1005

**PROTECTION L-CH ASSY  
SEMICONDUCTORS**Q0727  
Q0723,Q0725,Q0726  
D0721,D0722  
D0710J5000992F0050-IL  
J5021845F0000-IL  
K005041480020-IL  
K06605R14P400-IL**CAPACITORS**

C0712,C0750

CEAT101M10

**RESISTORS**R0733,R0781  
Other ResistorsRS1/8S0R0J  
RS1/16S###J**OTHERS**CN0771 CONNECTOR(4P)  
CN0770 CN.WAFER 2.0MML101100030410-IL  
L101100030510-IL**PROTECTION R-CH ASSY  
SEMICONDUCTORS**Q0733  
Q0724,Q0729,Q0742  
D0719,D0720  
D0709J5000992F0050-IL  
J5021845F0000-IL  
K005041480020-IL  
K06605R14P400-IL**CAPACITORS**

C0716,C0749

CEAT101M10

**RESISTORS**

All Resistors

RS1/16S###J

**OTHERS**

CN0754,CN0755 CONNECTOR(4P)

L101100030410-IL

**SPEAKER L-CH ASSY (A-A6-J Only)  
OTHERS**

JA0701 TER,BOARD SCREW 2P

G611202H0100Y-IL

**OTHERS**CN0709 CN,WIRE  
CN0708 CN,WIREL000121020220-IL  
L000301020060-IL



# 6. ADJUSTMENT

## 6.1 Idle Current and DC offset Adjustment



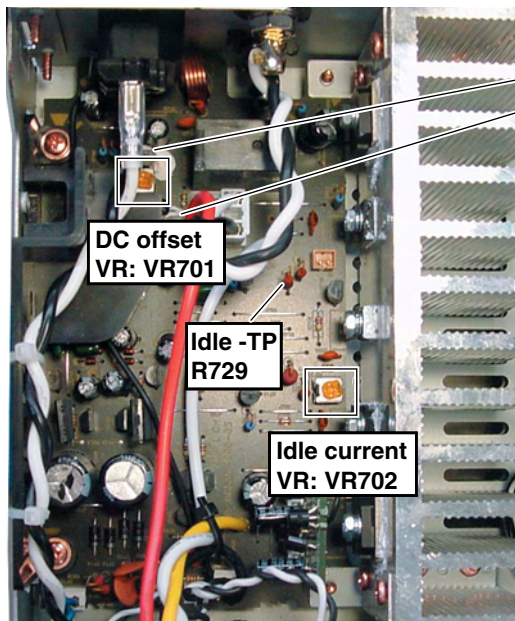
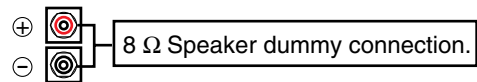
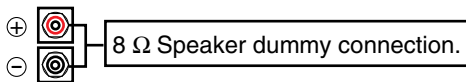
### 1. Idle Current Adjustment

- **Measurement Points:** AMP Lch Assy : R729  
AMP Rch Assy : R774
- **Adjustment Points:** AMP Lch Assy : VR702  
AMP Rch Assy : VR703
- **Procedure**
  - ① Turn on the power
  - ② Connect a digital voltmeter to both ends of resistor of the measurement point. (70 mV of AMP Lch: R729 and AMP Rch: R774).
  - ③ Perform aging for more than five minute.
  - ④ Slowly turn the adjustment VR clockwise so that the voltage becomes in the readjustment of 60 mV

• **Adjustment Point and Measurement Points....** see fig1.

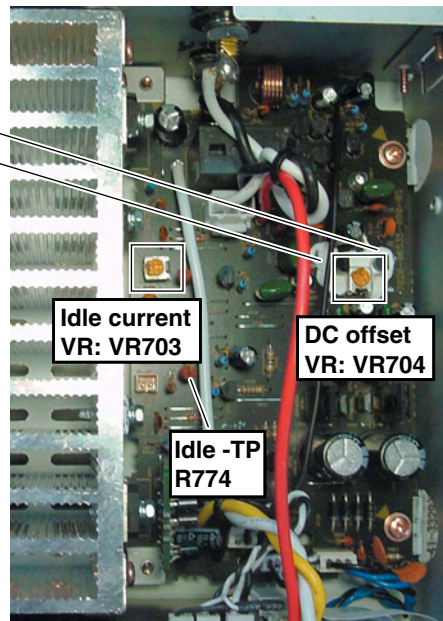
### 2. DC Offset Adjustment

- **Measurement Points:** AMP Lch Assy : SP terminal  
AMP Rch Assy : SP terminal
- **Adjustment Points:** AMP Lch Assy : VR701  
AMP Rch Assy : VR704
- **Procedure**
  - ① The voltage of SP terminal is adjusted to  $0 \pm 10$  mV. (8  $\Omega$  Speaker dummy connection)
- **Adjustment Point and Measurement Points....** see fig1.



**I** AMP Lch Assy

[fig 1.]



**J** AMP Rch Assy

**Caution when transistors (Q713, Q714, Q739 and Q746) are replaced**  
Please cover the leads of the transistors at Silicon bond for the variation prevention of DC Offset when you have exchanged transistors.

# 7. GENERAL INFORMATION

## 7.1 TROUBLE SHOOTIG

- FUSE F801 is blown. → Check whether D809, D810, D813 or D814 is damaged.
- LCD BACK LIGHTING is not lit. → Check whether +5V is output at OUT PUT of IC804 REG IC.  
Check the voltage drop at resistor R852 22Ω.  
Check the voltage drops at resistors R821, R822 0.22Ω.
- MICOM is not functioning. → Check whether +6V is output at OUT PUT of IC809.  
Check whether XTAL101 is oscillating properly.  
Check whether RESET IC of IC511 is functioning properly.
- When SPEAKER PROTECTION is engaged  
Check whether POWER TR is functioning properly.  
Check whether R730, R729 0.22Ω of L-CH and R774, R755 0.22Ω of R-CH are damaged.  
Check whether + power supply and - power supply are supplied.
- ELECTRONIC VOLUME is not functioning. → Check whether +8V is output at OUT PUT of IC112, and whether -8V is output at OUT PUT of IC111.  
Check whether data is input at PIN42, 43 of IC101.
- When there is no sound → Check the operation status of Q111, Q112 MUTE TR.
- HEAT SINK is overheated. Check whether IDLE is adjusted at 52mv+/-10mV without load.
- MOTOR VOLUME is not functioning. → Check whether +9V is output at OUT PUT of IC807.  
Check whether MOTOR DRIVE IC of IC650 is functioning properly.

## 7.2 SPECIFICATION OF PROTECTIVE OPERATION

\*When SPEAKER OUT is overloaded, turn off SPEAKER RELAY immediately and turn off power supply RELAY. Then, blinks the STAND BY LED.

\*When DC voltage is detected at SPEAKER OUT, turn off SPEAKER RELAY and power supply RELAY. Then, blinks the STAND BY LED.

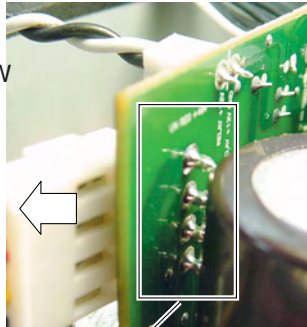
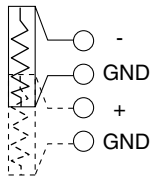
After that, normal operation MODE will be resumed by turning power supply SW off/on. Similarly, normal operation MODE will be resumed by reconnecting the power cord.



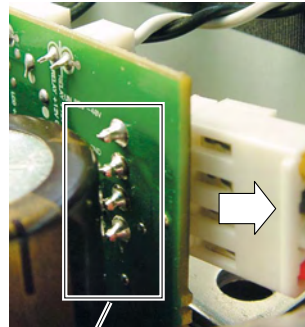
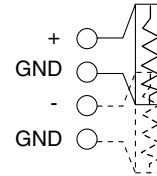
## 7.3 DISCHARGE OF POWER AMPLIFIER

1. Turn off the power of the product.
2. Discharge both ends of capacitor of Power Assy by short-circuiting (connector GND and +, connector GND and -) using a resistor with  $200\Omega/10W$  (and above) for 30 seconds.

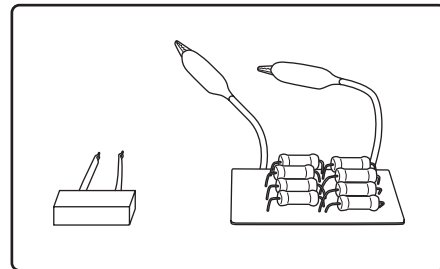
Resistor with  $200\Omega/10W$



Resistor with  $200\Omega/10W$



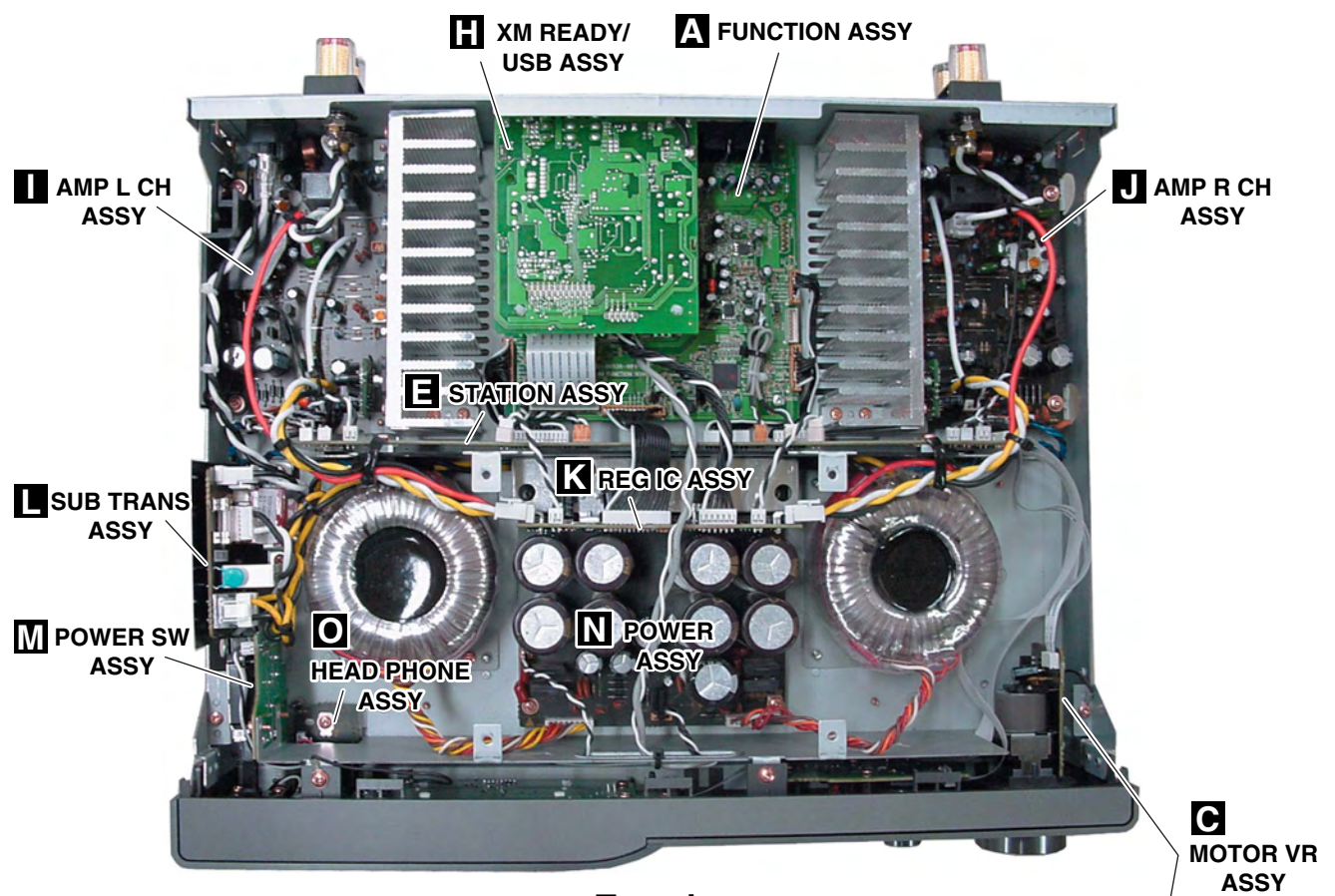
Resistor to be used



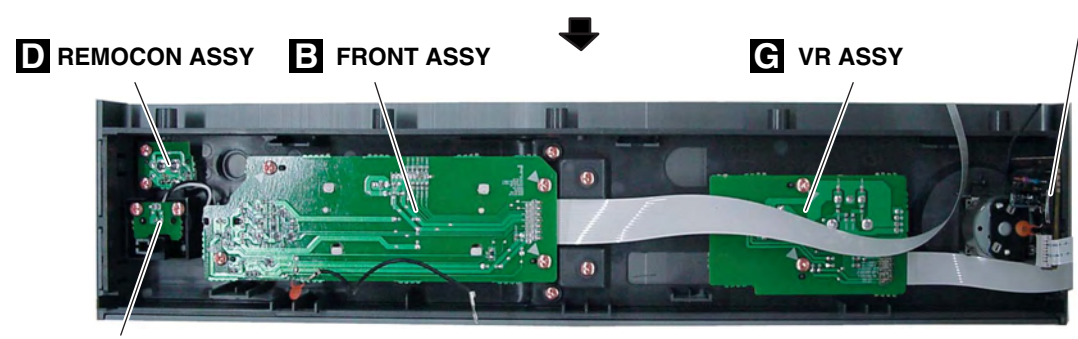


5  
**7.4 PCB LOCATION**

• A-A9 model



• Top view



• Front view

# 7.5 DISASSEMBLY

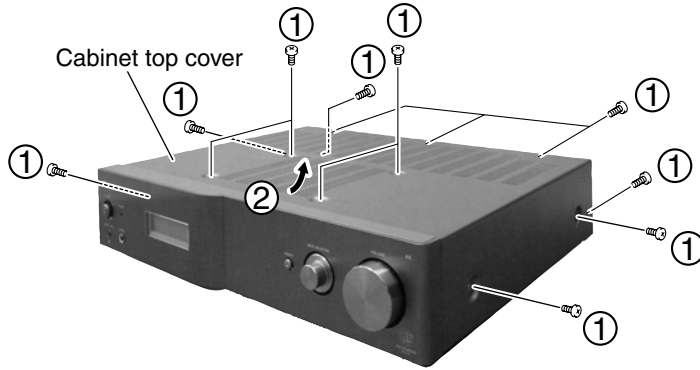
**Note :** Even if the unit shown in the photos and illustrations in this manual may differ from your product, the procedures described here are common.

## Disassembly

### • A-A6 model

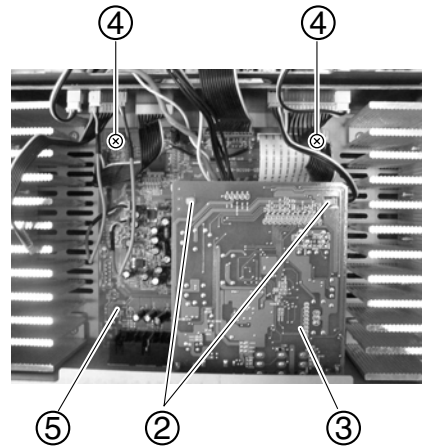
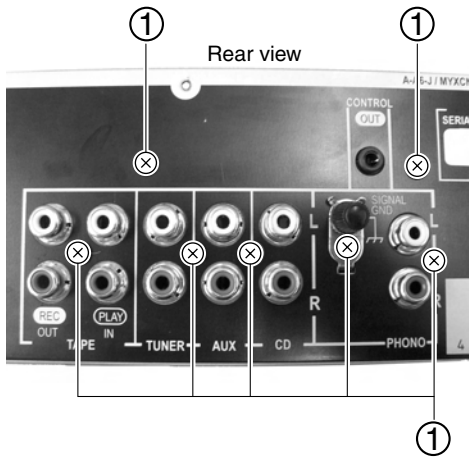
#### 1 Cabinet top cover

- ① Remove 13 screws.
- ② Remove the cabinet top cover.



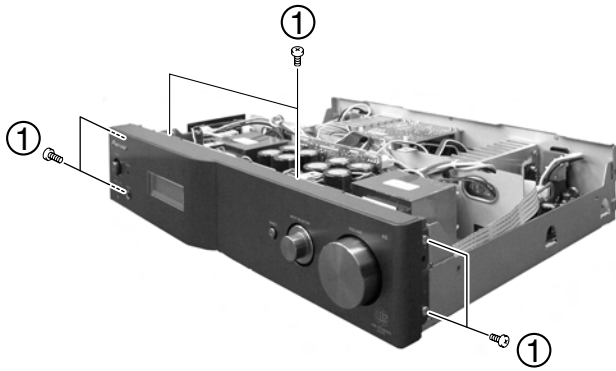
#### 2 FUNCTION Ass'y

- ① Remove 7 screws.
- ② Remove spacers (2 locations) on the board.
- ③ Remove XM-READY/USB Ass'y.
- ④ Remove 2 screws.
- ⑤ Remove FUNCTION Ass'y.



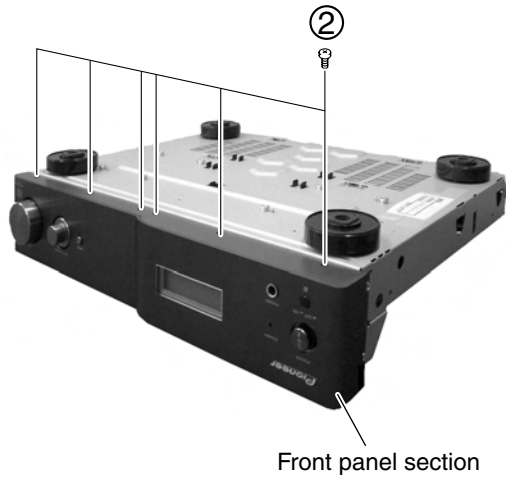
### 3 Front Panel

① Remove the 6 screws.



② Remove the 6 screws.

③ Remove the front panel section.



A  
B  
C  
D  
E  
F

**Note :** Even if the unit shown in the photos and illustrations in this manual may differ from your product, the procedures described here are common.

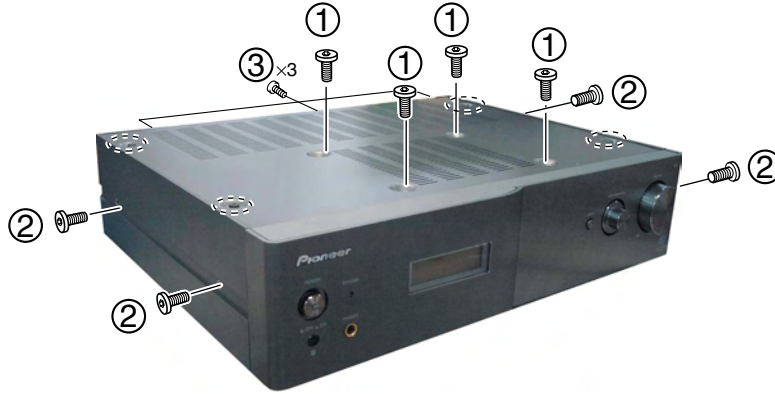
## Disassembly

### • A-A9 model

#### 1 Cabinet top cover

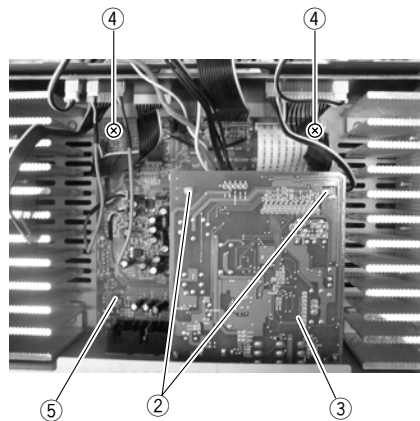
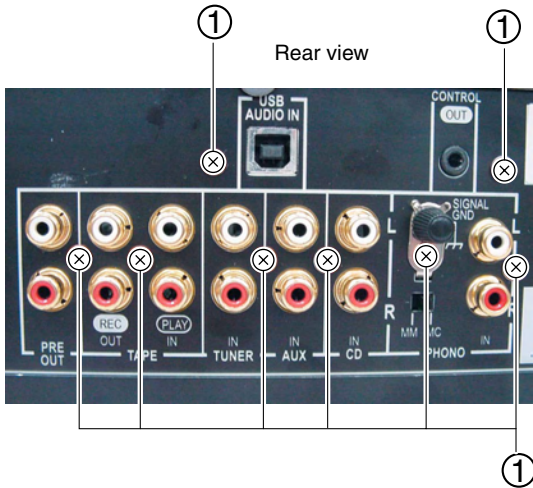
- ① Remove 4 screws.
- ② Remove 4 screws. (Left, Right)
- ③ Remove 4 screws. (Rear section)

**Note:**  
Even if the portion of the round (⊗) mark does not remove the screw, the cabinet top cover separates.



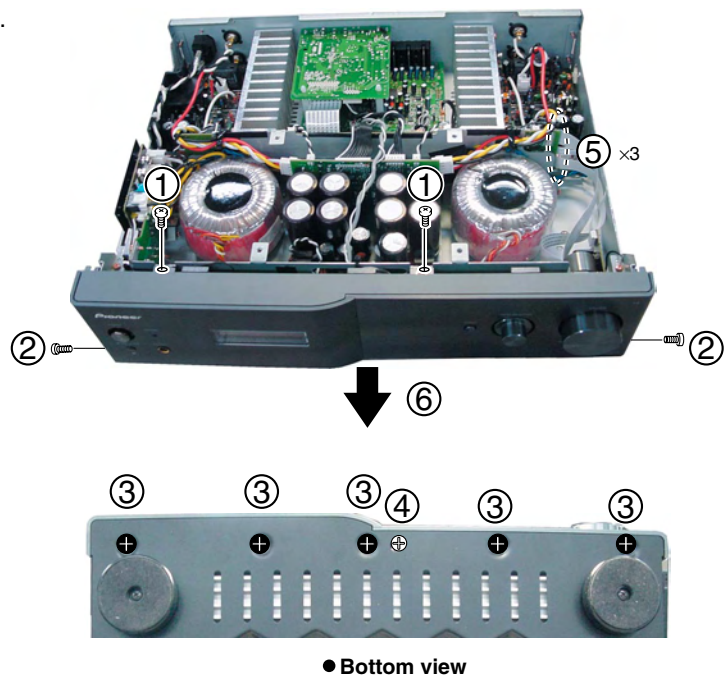
#### 2 FUNCTION Ass'y

- ① Remove 8 screws.
- ② Remove spacers (2 locations) on the board.
- ③ Remove XM-READY/USB Assy.
- ④ Remove 2 screws.
- ⑤ Remove FUNCTION Ass'y.



### 3 Front Panel

- ① Remove the 2 screws.
- ② Remove the 2 screws. (Left, Right)
- ③ Remove the 5 screws. (Bottom side)
- ④ Remove the 1 screws. (Bottom side)
- ⑤ Remove the flexible cable.
- ⑥ Remove the Front panel.



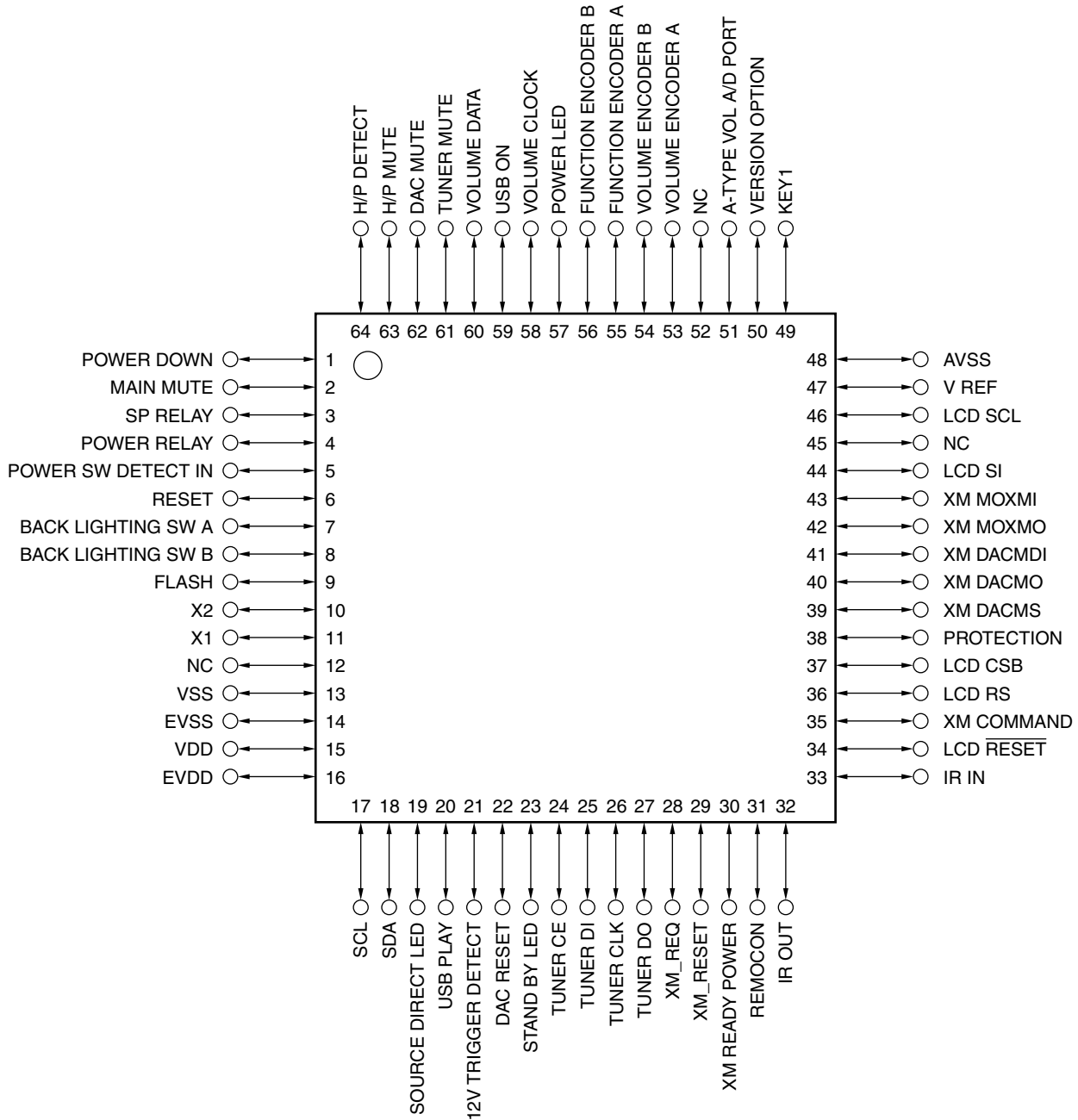
# 7.6 IC INFORMATION

The information shown in the list is basic information and may not correspond exactly to that shown in the schematic diagrams.

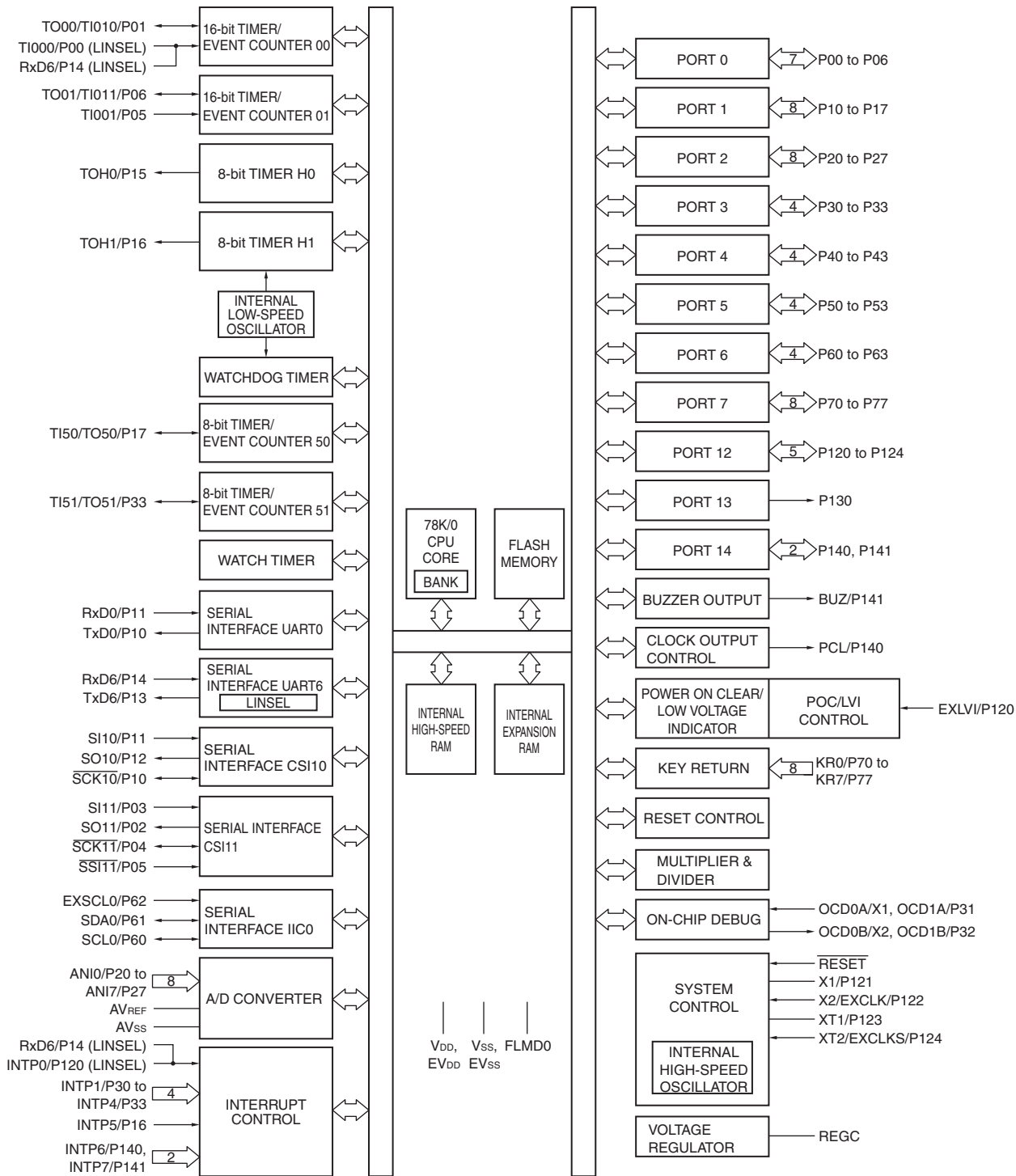
- List of IC  
J020780536000-IL

## J020780536000-IL (FUNCTION ASSY : IC102)

- Main Microcomputer
- Pin Arrangement (Top View)



● Block Diagram



A ● Pin Function

No.	Port	Pin Name
1	P120/INTP0/EXLVI	POWER DOWN
2	P43	MAIN MUTE
3	P42	SP RELAY
4	P41	POWER RELAY
5	P40	POWER SW DETECT IN
6	RESET	RESET
7	P124/XT2/EXCLKS	BACK LIGHTING SW A
8	P123/XT1	BACK LIGHTING SW B
9	FLMD0	FLASH
10	P122/X2/EXCLK/OCD0B	X2
11	P121/X1/OCD0A	X1
12	REGC	NC
13	Vss	VSS
14	EVss	EVSS
15	VDD	VDD
16	EVDD	EVDD
17	P60/SCL0	SCL
18	P61/SDA0	SDA
19	P62/EXSCL0	SOURCE DIRECT LED
20	P63	USB PLAY
21	P33/TI51/TO51/INTP4	12V TRIGGER DETECT
22	P77/KR7	DAC RESET
23	P76/KR6	STAND BY LED
24	P75/KR5	TUNER CE
25	P74/KR4	TUNER DI
26	P73/KR3	TUNER CLK
27	P72/KR2	TUNER DO
28	P71/KR1	XM_REQ
29	P70/KR0	XM_RESET
30	P06/TO01/TI011	XM READY POWER
31	P05/SSI11/TI001	REMOCON
32	P32/INTP3/OCD1B	IR OUT
33	P31/INTP2/OCD1A	IR IN
34	P50	LCD RESET
35	P51	XM COMMAND
36	P52	LCD RS
37	P53	LCD CSB
38	P30/INTP1	PROTECTION
39	P17/TI50/TO50	XM DACMS
40	P16/TOH1/INTP5	XM DACMO
41	P15/TOH0	XM DACMDI
42	P14/RxD6	XM MOXMO
43	P13/TxD6	XM MOXMI
44	P12/SO10	LCD SI
45	P11/SI10/RxD0	NC
46	P10/SCK10/TxD0	LCD SCL
47	AVREF	V REF
48	AVss	AVSS



No.	Port	Pin Name
49	P27/ANI7	KEY1
50	P26/ANI6	VERSION OPTION
51	P25/ANI5	A-TYPE VOL A/D PORT
52	P24/ANI4	NC
53	P23/ANI3	VOLUME ENCODER A
54	P22/ANI2	VOLUME ENCODER B
55	P21/ANI1	FUNCTION ENCODER A
56	P20/ANI0	FUNCTION ENCODER B
57	P130	POWER LED
58	P04/SCK11	VOLUME CLOCK
59	P03/SI11	USB ON
60	P02/SO11	VOLUME DATA
61	P01/TI010/TO00	TUNER MUTE
62	P00/TI000	DAC MUTE
63	P141/BUZ/INTP7	H/P MUTE
64	P140/PCL/INTP6	H/P DETECT

A

B

C

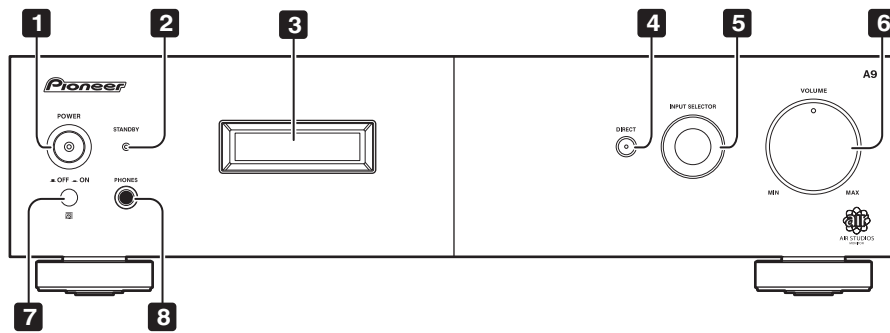
D

E

F

# 8. PANEL FACILITIES

## A Front panel



**1 POWER OFF-ON**

**2 Standby indicator**

**3 Character display**

**4 DIRECT**

Press to switch the Direct listening feature on or off.

**5 INPUT SELECTOR dial**

Selects an input source.

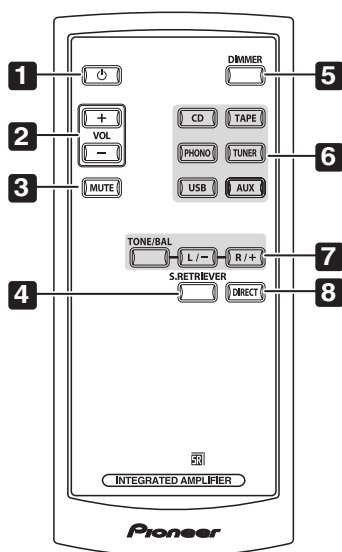
**6 MASTER VOLUME**

**7 Remote sensor**

**8 PHONES jack**

Use to connect headphones (when connected, there is no sound output from speakers).

## Remote control



**1** Switches the amplifier between standby and on.

**2 VOLUME +/-**  
Use to set the listening volume.

**3 MUTE**  
Mutes/unmutes the sound

**4 S. RETRIEVER (A9 Only)**  
Press to switch the Sound Retriever on/off

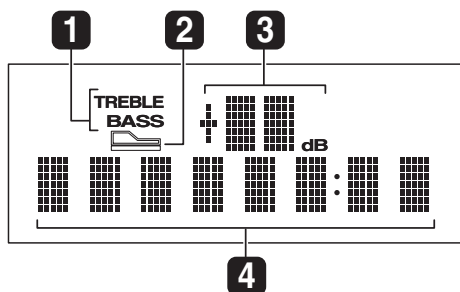
**5 DIMMER**  
Dims or brightens the display (or switches the backlight off).

**6 Input selector buttons**  
Press to select an input source. There select the component connected to the corresponding input on the rear panel.

**7 TONE/BAL controls**  
Use to adjust the tone and balance.

**8 DIRECT**  
Press to access Direct listening.

## Display



**1 Tone control indicators**  
**TREBLE** - Lights when high-range tone adjustment is applied.  
**BASS** - Lights when low-range tone adjustment is applied.

**2 Sound Retriever indicator**  
Lights when the Sound Retriever function is enabled.

**3 Master volume level**

**4 Character display**  
Displays various system information.