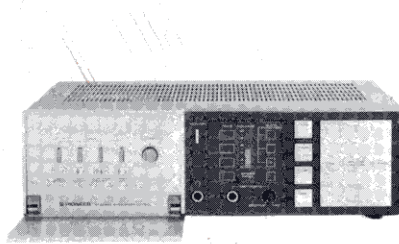


Service Manual

REPAIR & ADJUSTMENTS

**ORDER NO.
ARP-020-0**
STEREO AMPLIFIER

A-X50

MODEL A-X50 COMES IN FIVE VERSIONS DISTINGUISHED AS FOLLOWS:

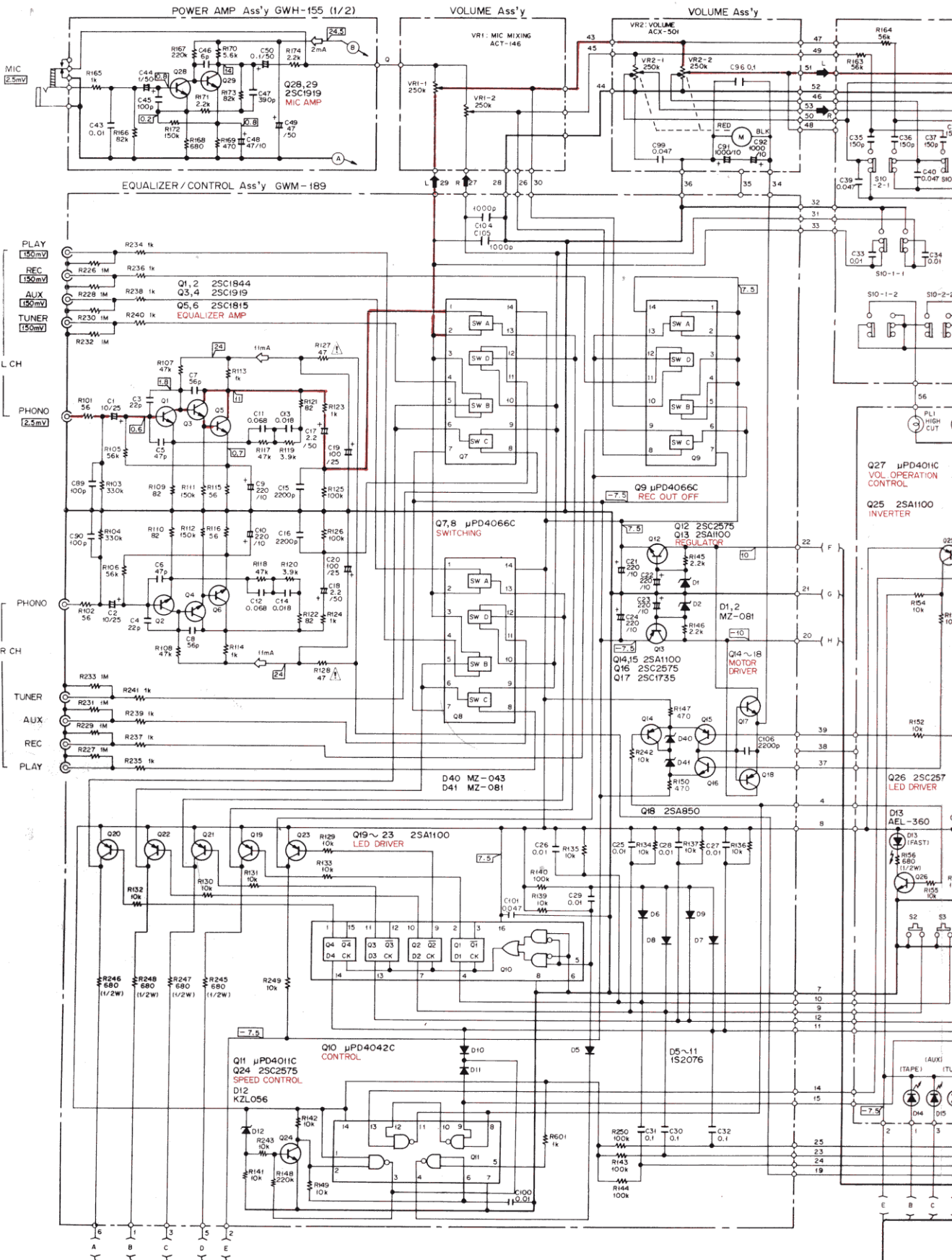
Type	Voltage	Remarks
KU	AC 120V only	U.S.A. model
S	AC 110V, 120V, 220V and 240V (Switchable)	General export model
S/G	AC 110V, 120V, 220V and 240V (Switchable)	U.S. Military model
NE	AC 220V only	Europe model
YB	AC 240V only	U.K. model

- This service manual is applicable to the KU type. When repairing the S, S/G types, please see the additional service manual <ARP-021>, and see the <ARP-022> for NE, YB types.
- For the circuit description, please refer to the model A-X50 service manual <ARP-048-0>.

CONTENTS

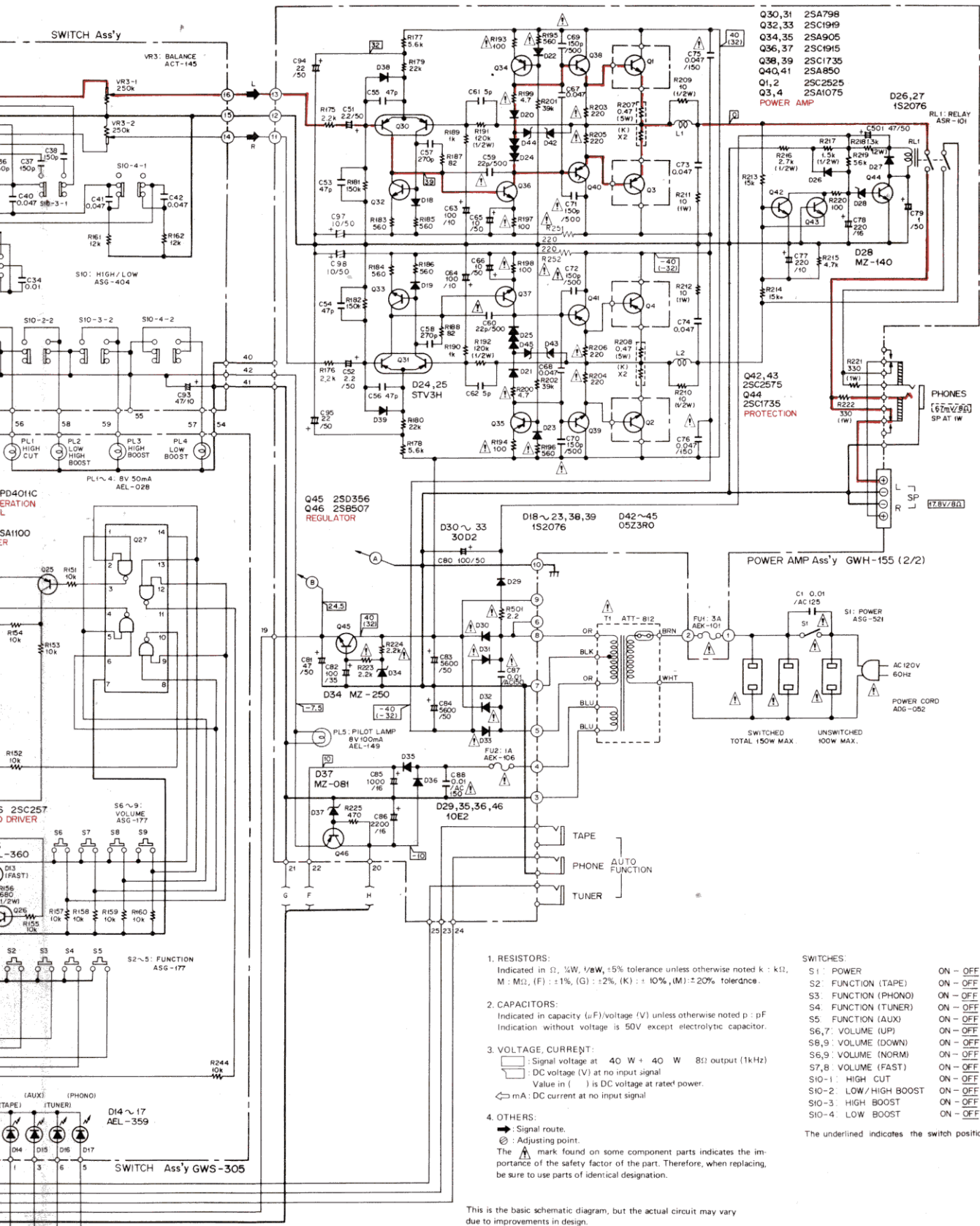
1. SPECIFICATIONS	2	6. P.C. BOARDS CONNECTION DIAGRAM.....	10
2. FRONT PANEL FACILITIES.....	2	7. SCHEMATIC DIAGRAM	13
3. PARTS LOCATION	4	8. PARTS LIST	15
4. BLOCK DIAGRAM.....	6	9. PACKING	17
5. EXPLODED VIEWS	7		

7. SCHEMATIC DIAGRAM



NOTE:

The indicated semiconductors are representative ones only. Other alternative semiconductors may be used and are listed in the parts list.



- Q30,31 2SA798
 - Q32,33 2SC1919
 - Q34,35 2SA905
 - Q36,37 2SC1915
 - Q38,39 2SC1735
 - Q40,41 2SA850
 - Q1,2 2SC2525
 - Q3,4 2SA1075
- POWER AMP

- D26,27 1S2076
 - Q42,43 2SC2575
 - Q44 2SC1735
- PROTECTION

- Q45 2SD356
 - Q46 2SB507
- REGULATOR

- D18~23,36,39 1S2076
- D42~45 05Z3R0

- D30~33 30D2
- D34 MZ-250
- D37 MZ-081
- D29,35,36,46 10E2

- Q45 2SD356
 - Q46 2SB507
- REGULATOR

- D18~23,36,39 1S2076
- D42~45 05Z3R0

- D30~33 30D2
- D34 MZ-250
- D37 MZ-081
- D29,35,36,46 10E2

- Q45 2SD356
 - Q46 2SB507
- REGULATOR

- D18~23,36,39 1S2076
- D42~45 05Z3R0

- D30~33 30D2
- D34 MZ-250
- D37 MZ-081
- D29,35,36,46 10E2

1. RESISTORS:
Indicated in Ω, ¼W, ½W, 1W, 5% tolerance unless otherwise noted k : kΩ, M : MΩ, (F) : ±1%, (G) : ±2%, (K) : ±10%, (M) : ±20% tolerance.
2. CAPACITORS:
Indicated in capacity (μF)/voltage (V) unless otherwise noted p : pF
Indication without voltage is 50V except electrolytic capacitor.
3. VOLTAGE, CURRENT:
□ : Signal voltage at 40 W + 40 W 8Ω output (1kHz)
□ : DC voltage (V) at no input signal
□ : DC voltage (V) at rated power.
□ : DC current at no input signal
4. OTHERS:
⊙ : Signal route.
⊙ : Adjusting point.
⚠ : The mark found on some component parts indicates the importance of the safety factor of the part. Therefore, when replacing, be sure to use parts of identical designation.

- SWITCHES:
- S1 : POWER ON - OFF
 - S2 : FUNCTION (TAPE) ON - OFF
 - S3 : FUNCTION (PHONO) ON - OFF
 - S4 : FUNCTION (TUNER) ON - OFF
 - S5 : FUNCTION (AUX) ON - OFF
 - S6,7 : VOLUME (UP) ON - OFF
 - S8,9 : VOLUME (DOWN) ON - OFF
 - S6,9 : VOLUME (NORM) ON - OFF
 - S7,8 : VOLUME (FAST) ON - OFF
 - S10-1 : HIGH CUT ON - OFF
 - S10-2 : LOW/HIGH BOOST ON - OFF
 - S10-3 : HIGH BOOST ON - OFF
 - S10-4 : LOW BOOST ON - OFF

The underlined indicates the switch position.

This is the basic schematic diagram, but the actual circuit may vary due to improvements in design.