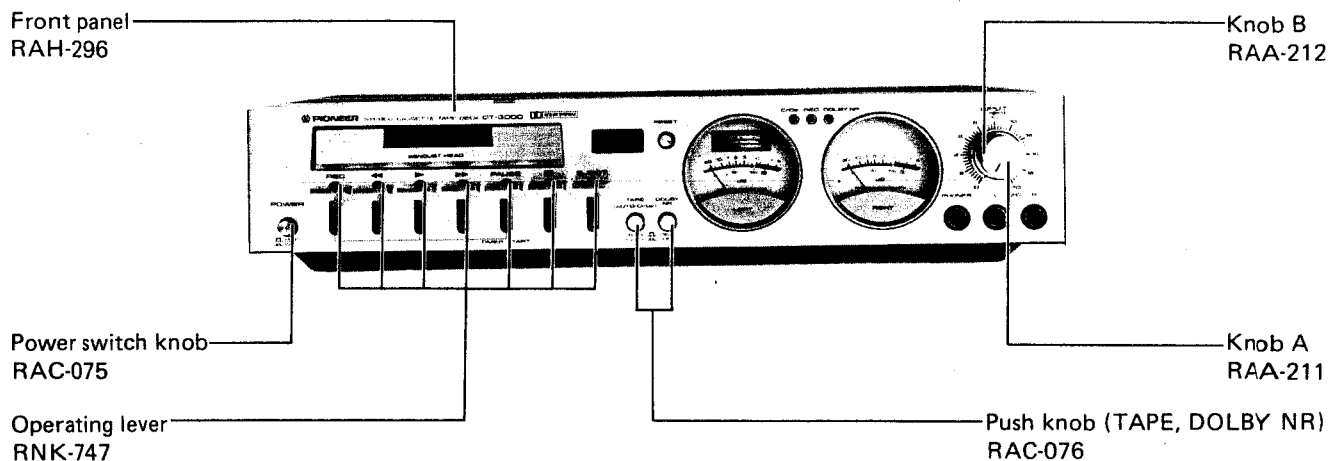
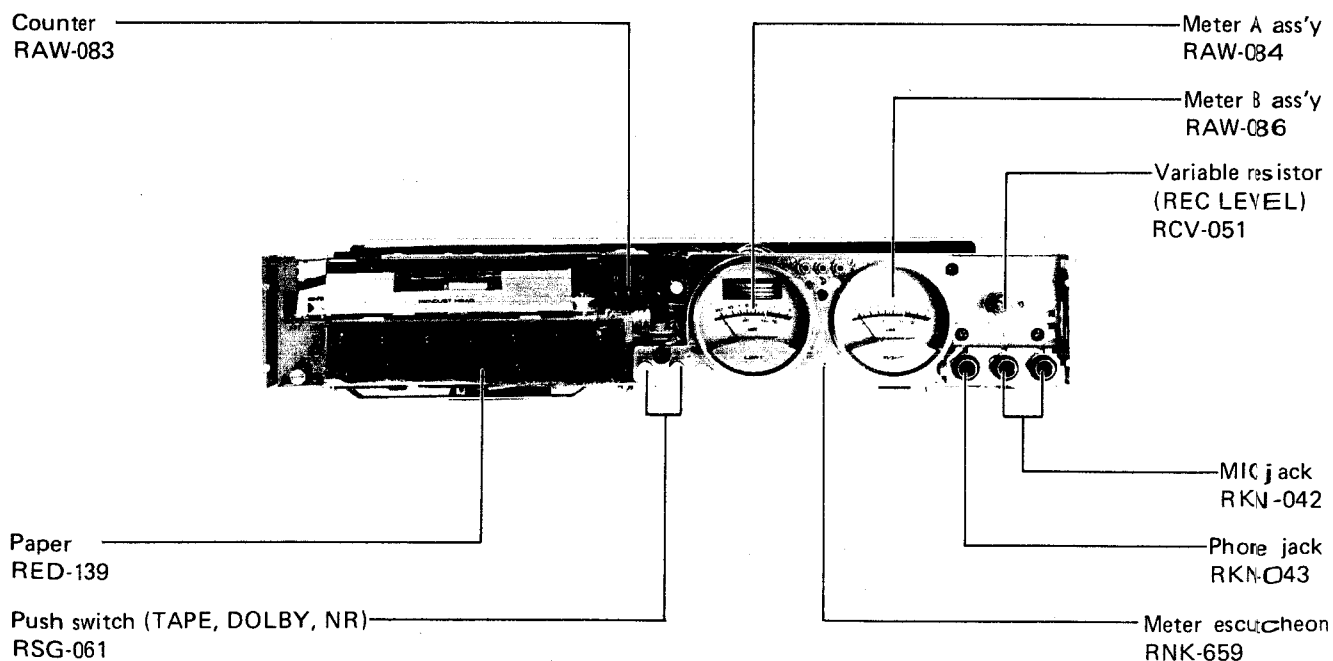


PARTS LOCATION

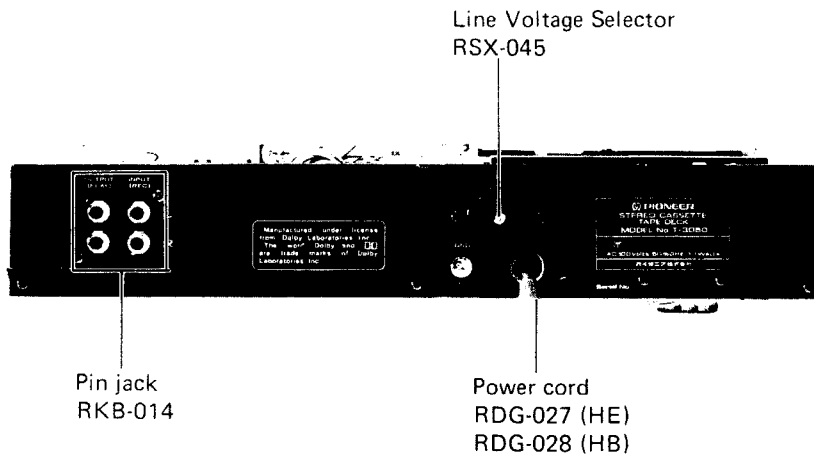
■ FRONT PANEL VIEW



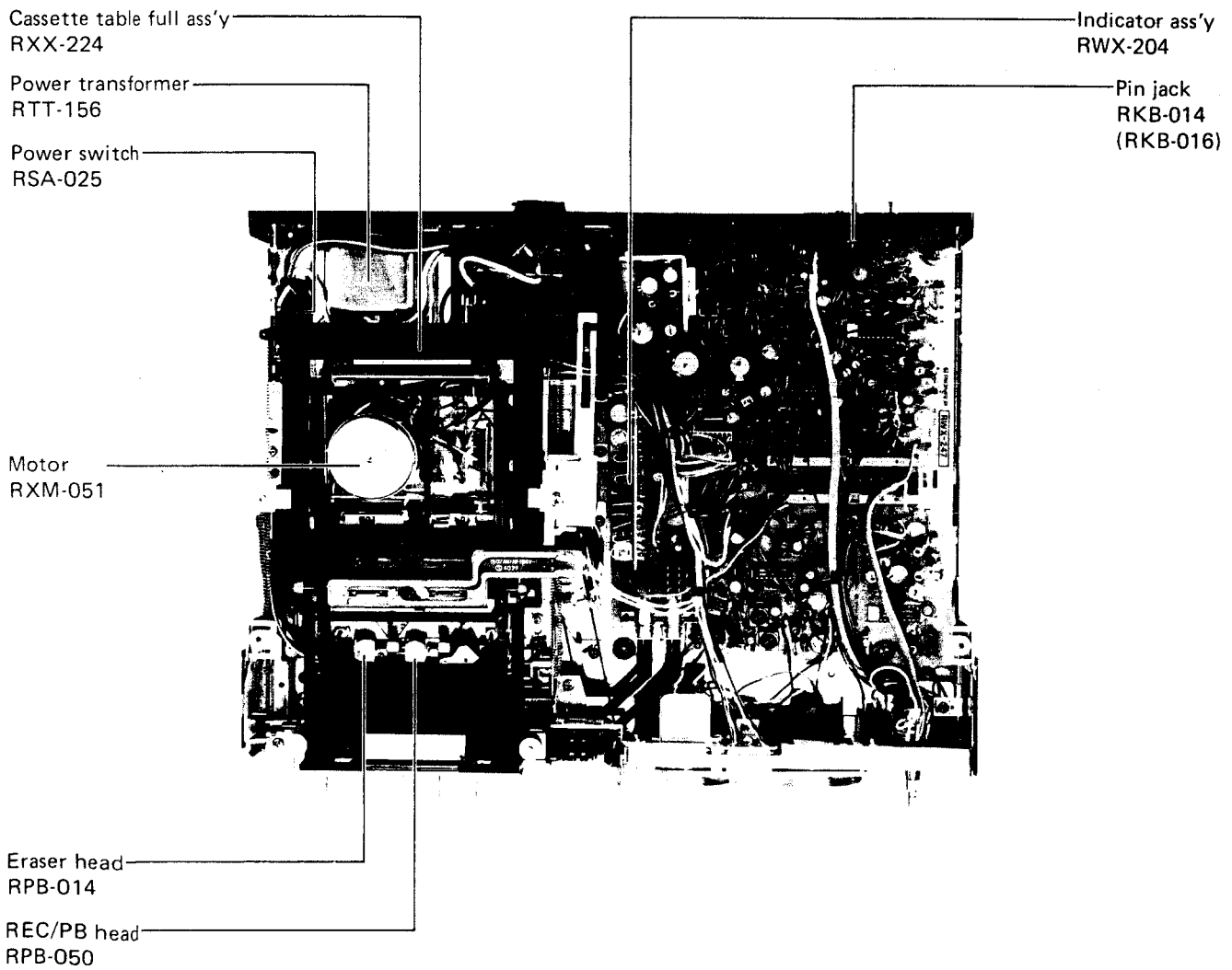
■ FRONT VIEW WITH FRONT PANEL REMOVED



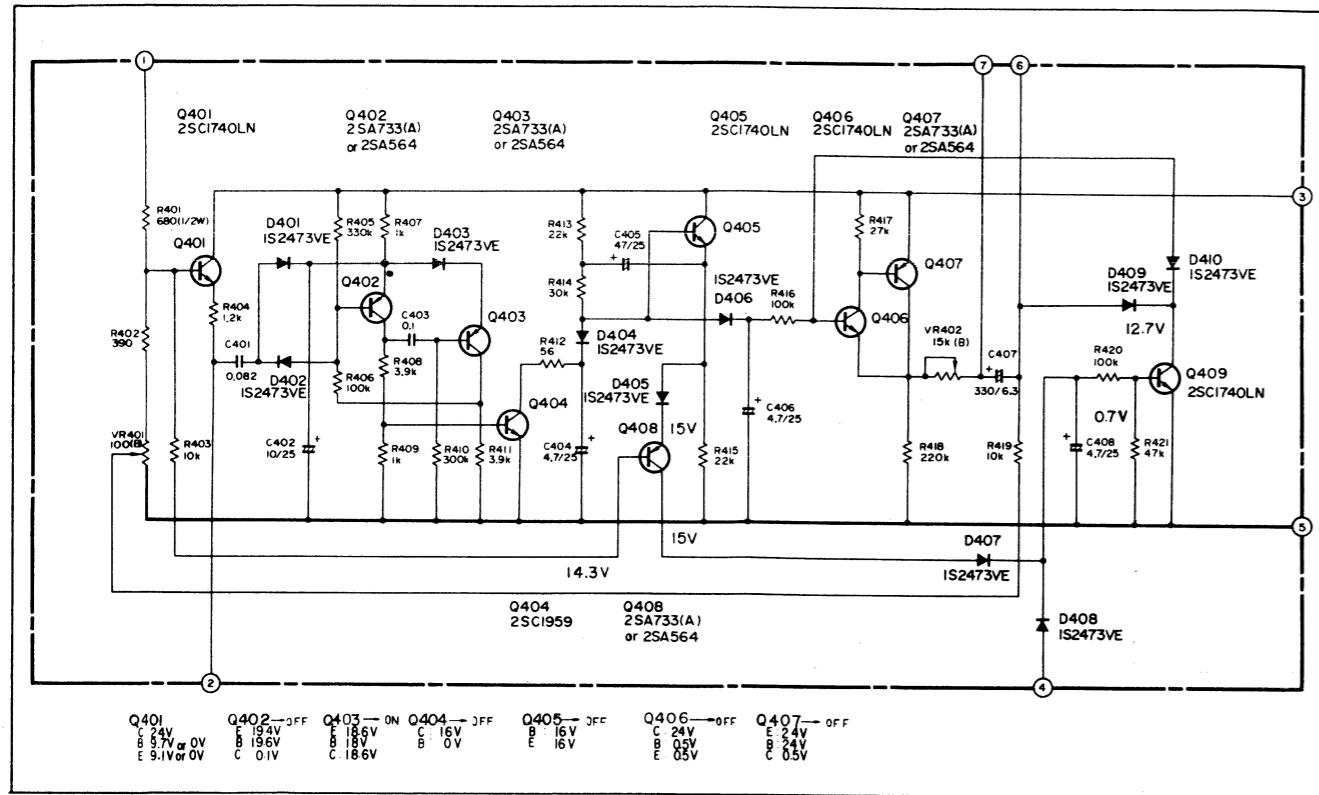
■ **REAR PANEL VIEW**



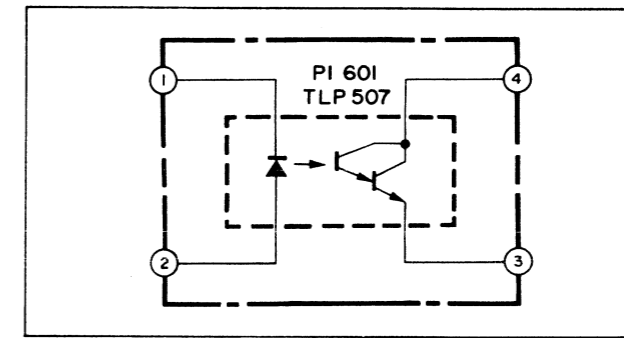
■ **TOP VIEW WITH BONNET REMOVED**



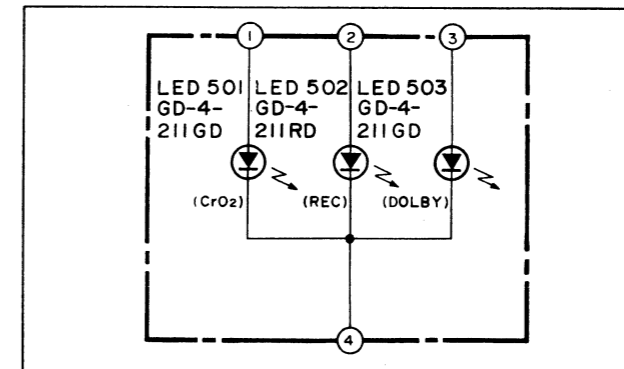
TAPE INDICATION ASSEMBLY (RW-204)



SENSING ASSEMBLY



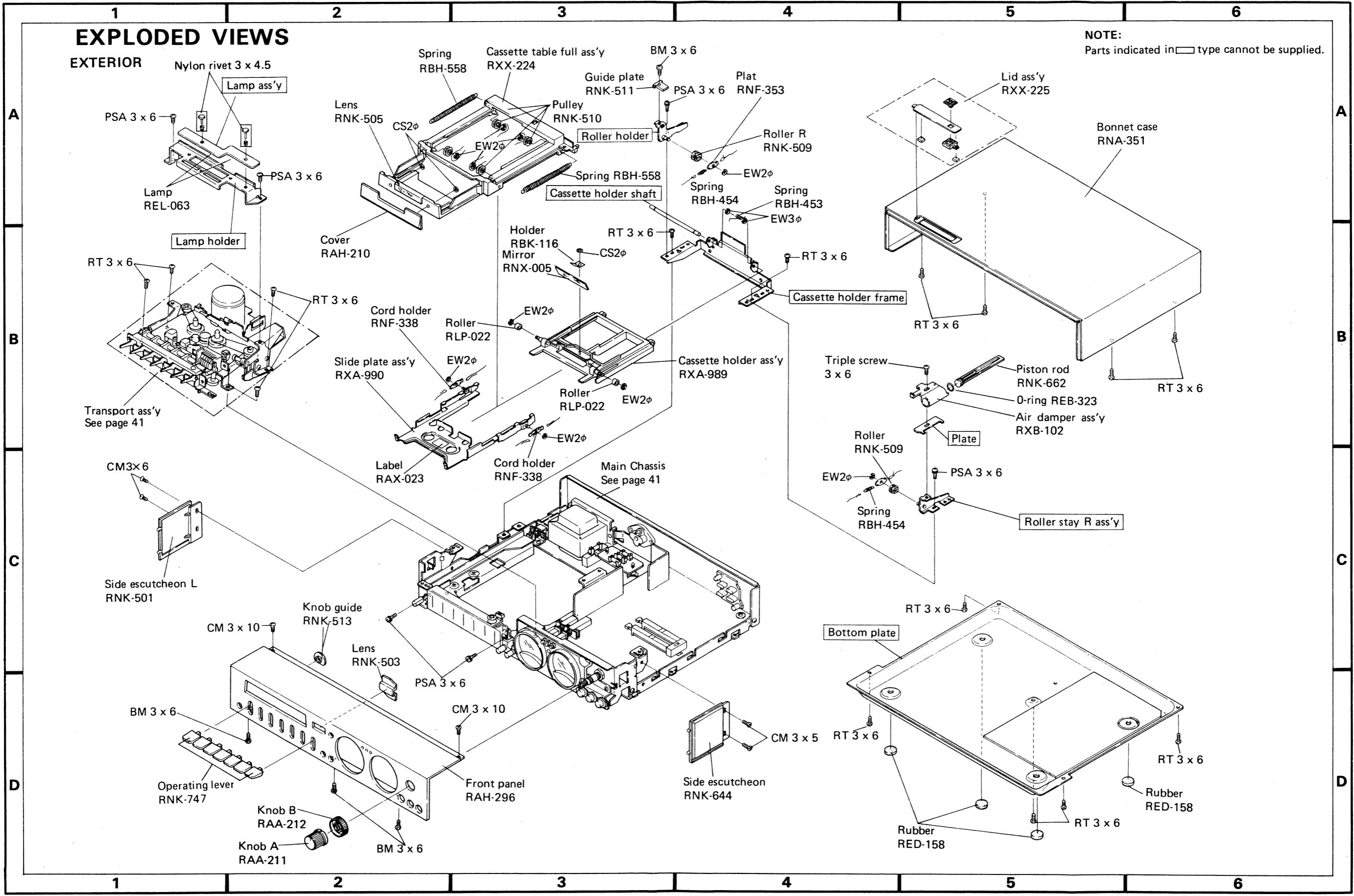
LED ASSEMBLY



EXPLODED VIEWS

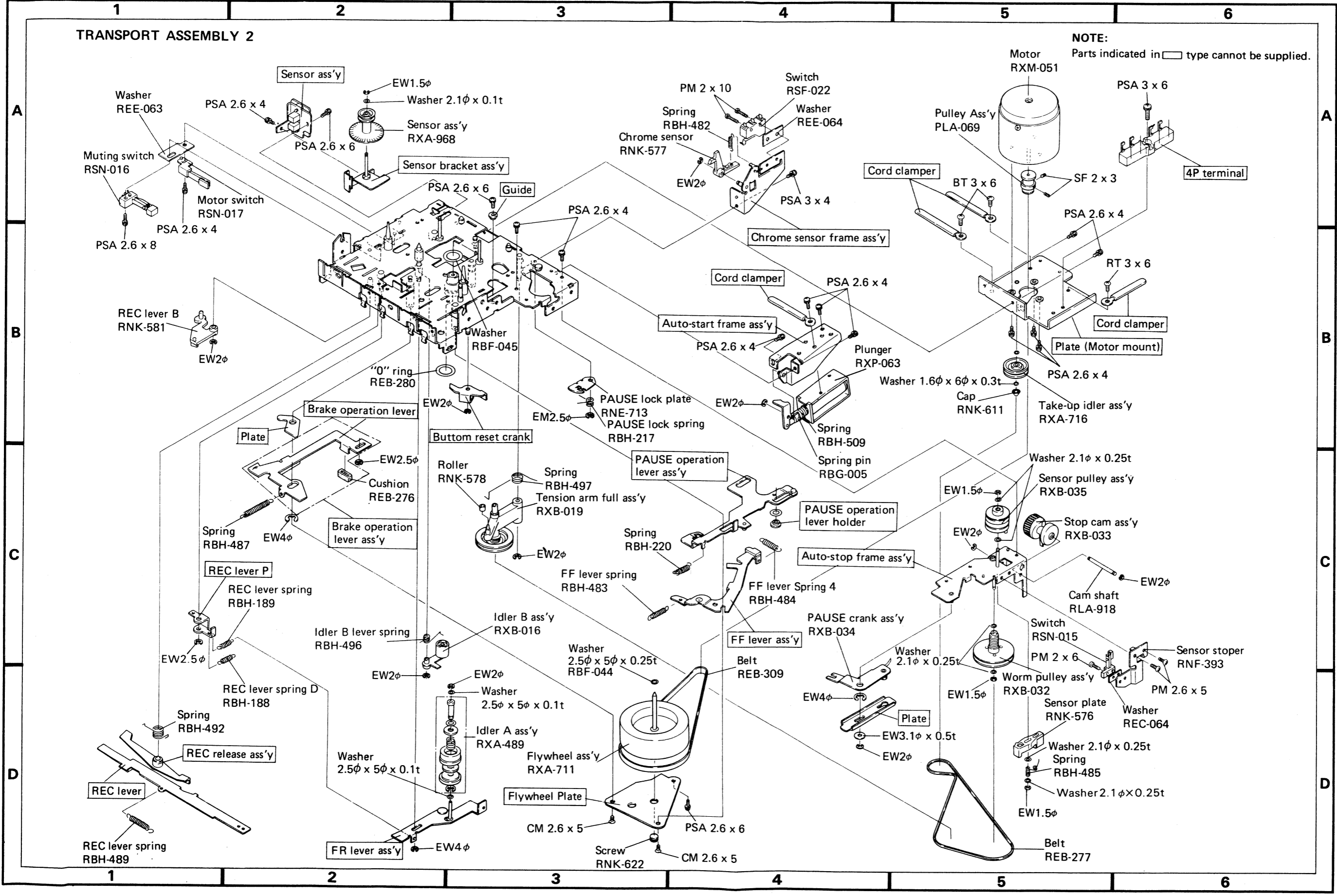
EXTERIOR

NOTE:
Parts indicated in type cannot be supplied.



TRANSPORT ASSEMBLY 2

NOTE:
Parts indicated in type cannot be supplied.



Washer REE-063
Muting switch RSN-016
Motor switch RSN-017
PSA 2.6 x 4
PSA 2.6 x 6
PSA 2.6 x 8

REC lever B RNK-581
EW2φ

REC lever P
REC lever spring RBH-189
EW2.5φ

REC lever spring D RBH-188
Spring RBH-492
REC release ass'y

REC lever spring RBH-489

Sensor ass'y
EW1.5φ
Washer 2.1φ x 0.1t
Sensor ass'y RXA-968
Sensor bracket ass'y
PSA 2.6 x 6
Guide

Brake operation lever
Plate
Cushion REB-276
EW2.5φ
Spring RBH-487
EW4φ

Idler B lever spring RBH-496
EW2φ

Washer 2.5φ x 5φ x 0.1t
Idler A ass'y RXA-489

FR lever ass'y
EW4φ

PM 2 x 10
Spring RBH-482
Chrome sensor RNK-577
EW2φ
Switch RSF-022
Washer REE-064
PSA 3 x 4

Auto-start frame ass'y
PSA 2.6 x 4
Plunger RXP-063
Washer 1.6φ x 6φ x 0.3t
Cap RNK-611

PAUSE lock plate RNE-713
PAUSE lock spring RBH-217
EM2.5φ

PAUSE operation lever ass'y
Spring RBH-220
EW2φ

FF lever spring RBH-483
EW2φ

FF lever ass'y
Belt REB-309

Flywheel ass'y RXA-711
Flywheel Plate
CM 2.6 x 5
Screw RNK-622
PSA 2.6 x 6
CM 2.6 x 5

Motor RXM-051
Pulley Ass'y PLA-069
Cord clamper
BT 3 x 6
SF 2 x 3
PSA 3 x 6
4P terminal

Chrome sensor frame ass'y
Cord clamper
PSA 2.6 x 4
Plate (Motor mount)

Take-up idler ass'y RXA-716
PSA 2.6 x 4

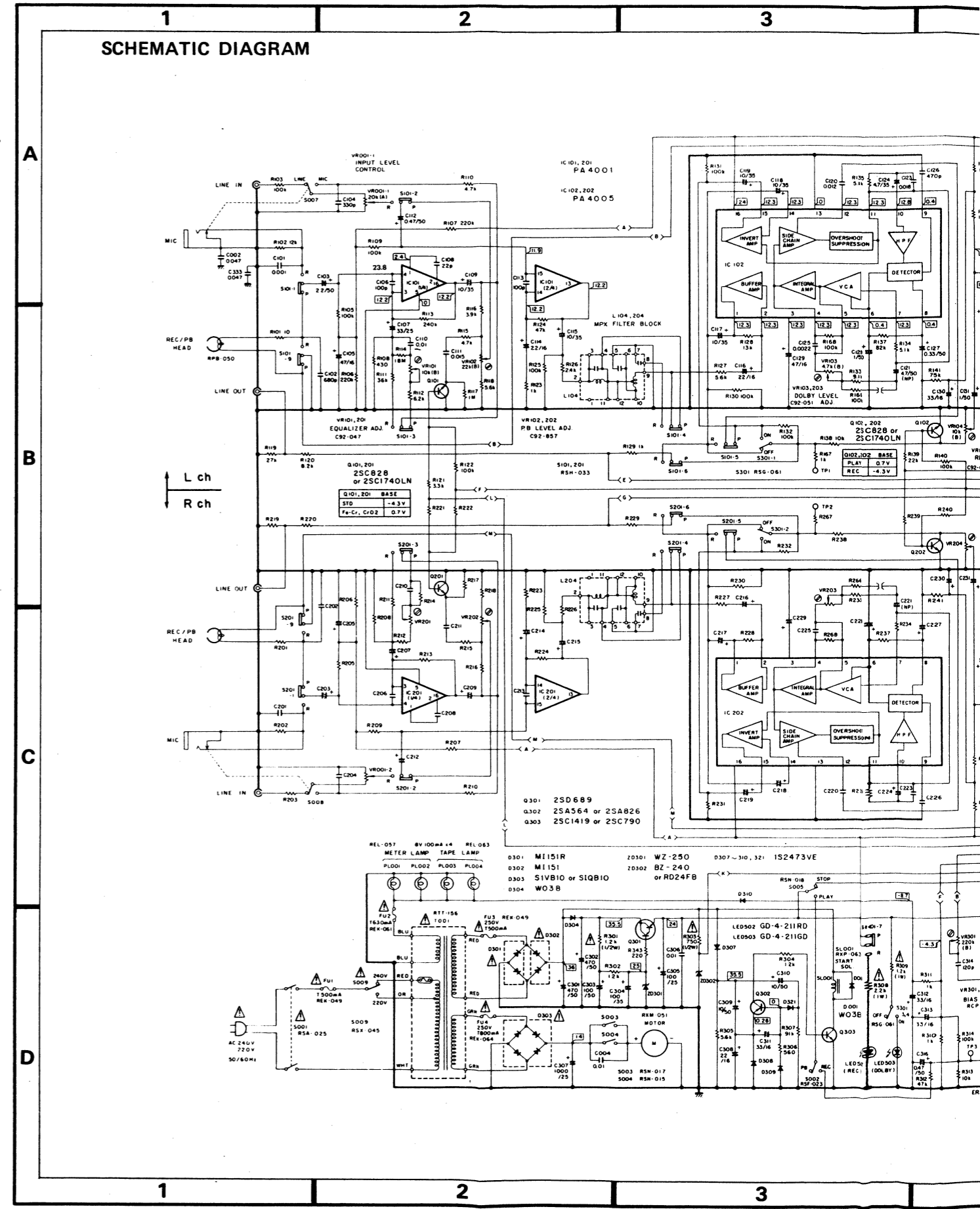
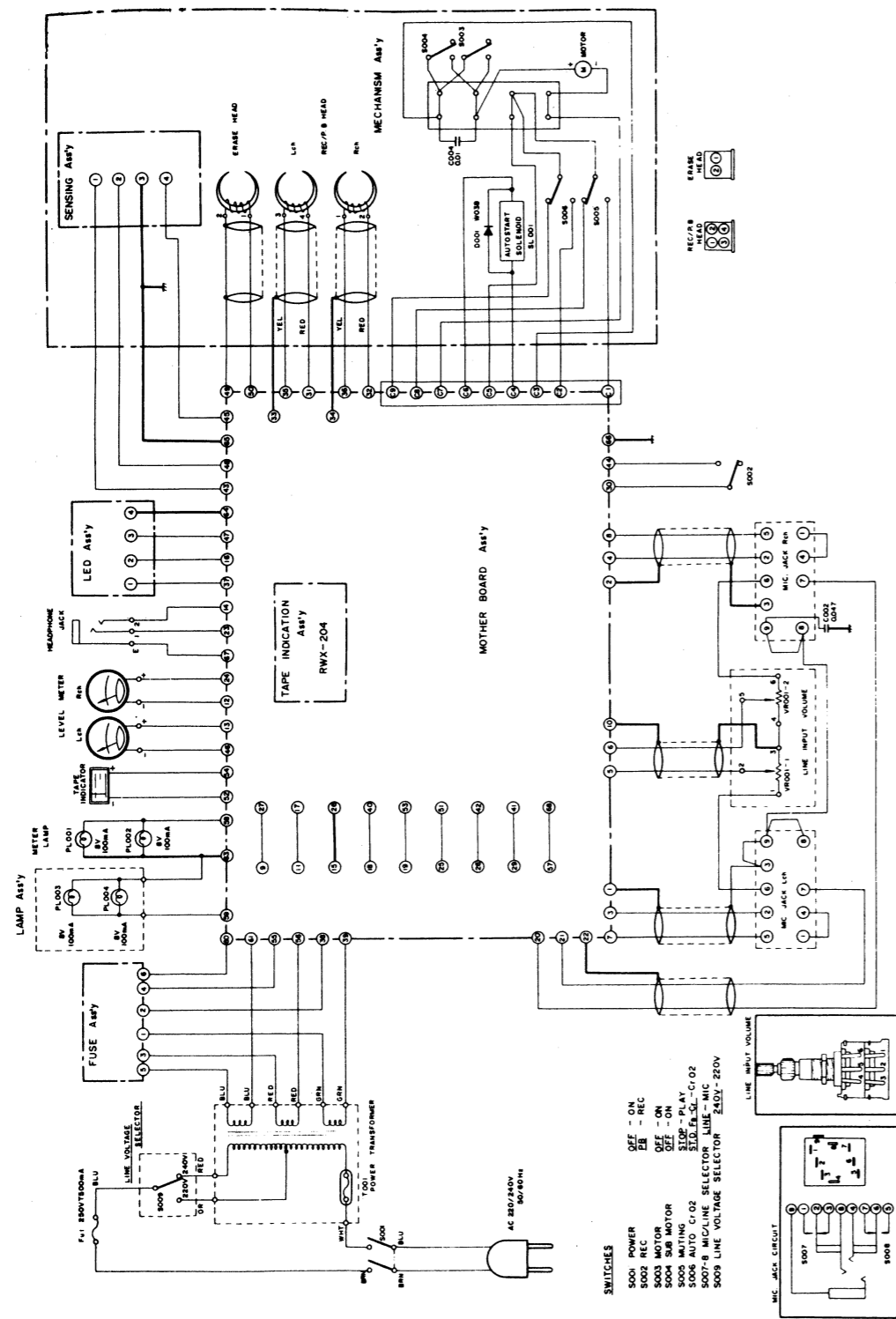
Washer 2.1φ x 0.25t
Sensor pulley ass'y RXB-035
Stop cam ass'y RXB-033
EW2φ

PAUSE operation lever holder
Auto-stop frame ass'y
PAUSE crank ass'y RXB-034
EW4φ

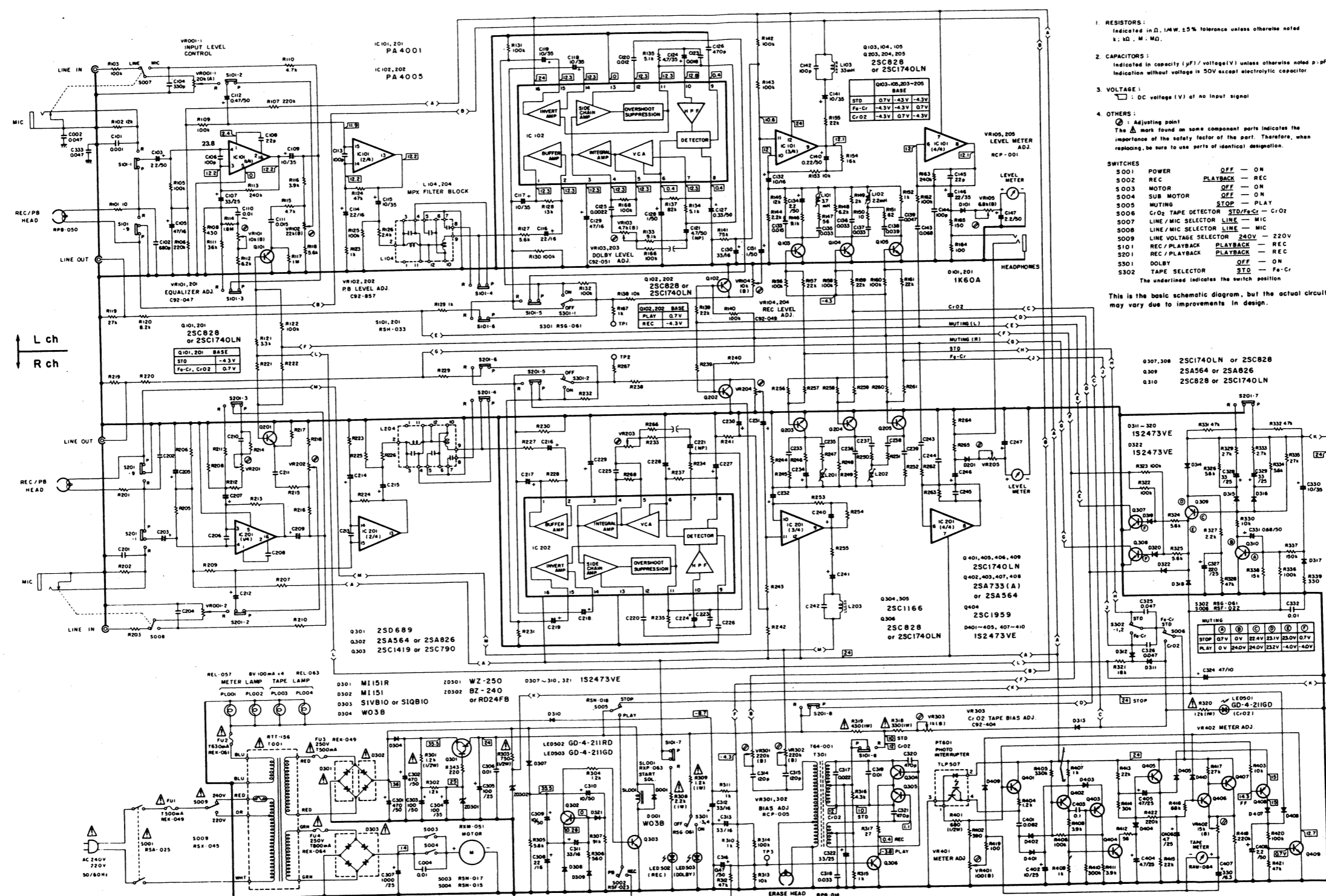
Switch RSN-015
Washer 2.1φ x 0.25t
PM 2 x 6
Worm pulley ass'y RXB-032
Sensor plate RNK-576
Washer REC-064
PM 2.6 x 5
Washer 2.1φ x 0.25t
Spring RBH-485
Washer 2.1φ x 0.25t
EW1.5φ

Belt REB-277

SCHEMATIC DIAGRAMS, P.C. BOARD PATTERNS AND PARTS LIST CONNECTION DIAGRAM



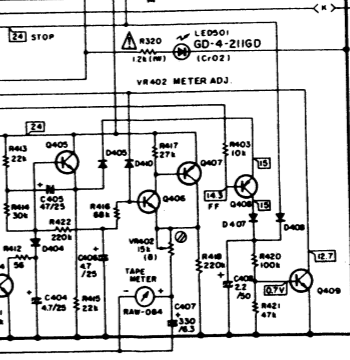
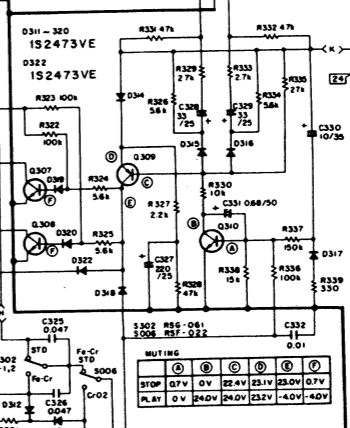
SCHEMATIC DIAGRAM



- 1. RESISTORS:**
Indicated in Ω, 1/4W, 5% tolerance unless otherwise noted
K: KΩ, M: MΩ.
- 2. CAPACITORS:**
Indicated in capacity (μF) / voltage (V) unless otherwise noted
p: pF
Indication without voltage is 50V except electrolytic capacitor.
- 3. VOLTAGE:**
⊖: DC voltage (V) of no input signal
- 4. OTHERS:**
⊕: Adjusting point
The Δ mark found on some component parts indicates the importance of the safety factor of the part. Therefore, when replacing, be sure to use parts of identical designation.
- SWITCHES**
- | | | | |
|------|-----------------------|-----------|-------|
| S001 | POWER | OFF | ON |
| S002 | REC | PLAYBACK | REC |
| S003 | MOTOR | OFF | ON |
| S004 | SUB MOTOR | OFF | ON |
| S005 | MUTING | STOP | PLAY |
| S006 | C/02 TAPE DETECTOR | STO/FA-Cr | Cr/02 |
| S007 | LINE/MIC SELECTOR | LINE | MIC |
| S008 | LINE/MIC SELECTOR | LINE | MIC |
| S009 | LINE VOLTAGE SELECTOR | 240V | 220V |
| S101 | REC/PLAYBACK | PLAYBACK | REC |
| S201 | REC/PLAYBACK | PLAYBACK | REC |
| S301 | DOLBY | OFF | ON |
| S302 | TAPE SELECTOR | STO | FA-Cr |
- The underlined indicates the switch position.

This is the basic schematic diagram, but the actual circuit may vary due to improvements in design.

- Q307, 308 25C1740LN or 25C828
- Q309 25A564 or 25A826
- Q310 25C828 or 25C1740LN



P.C. BOARDS CONNECTION DIAGRAM

