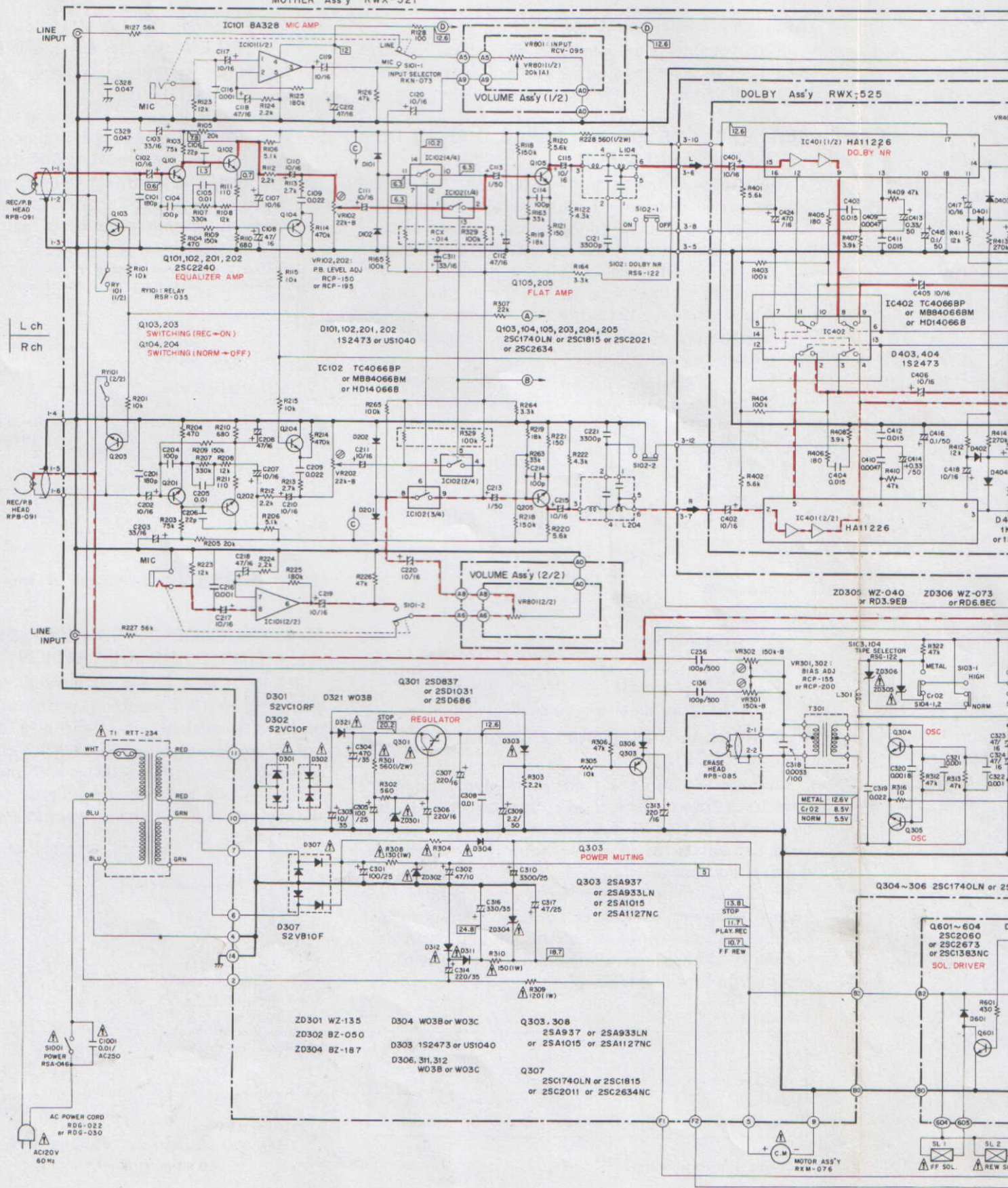
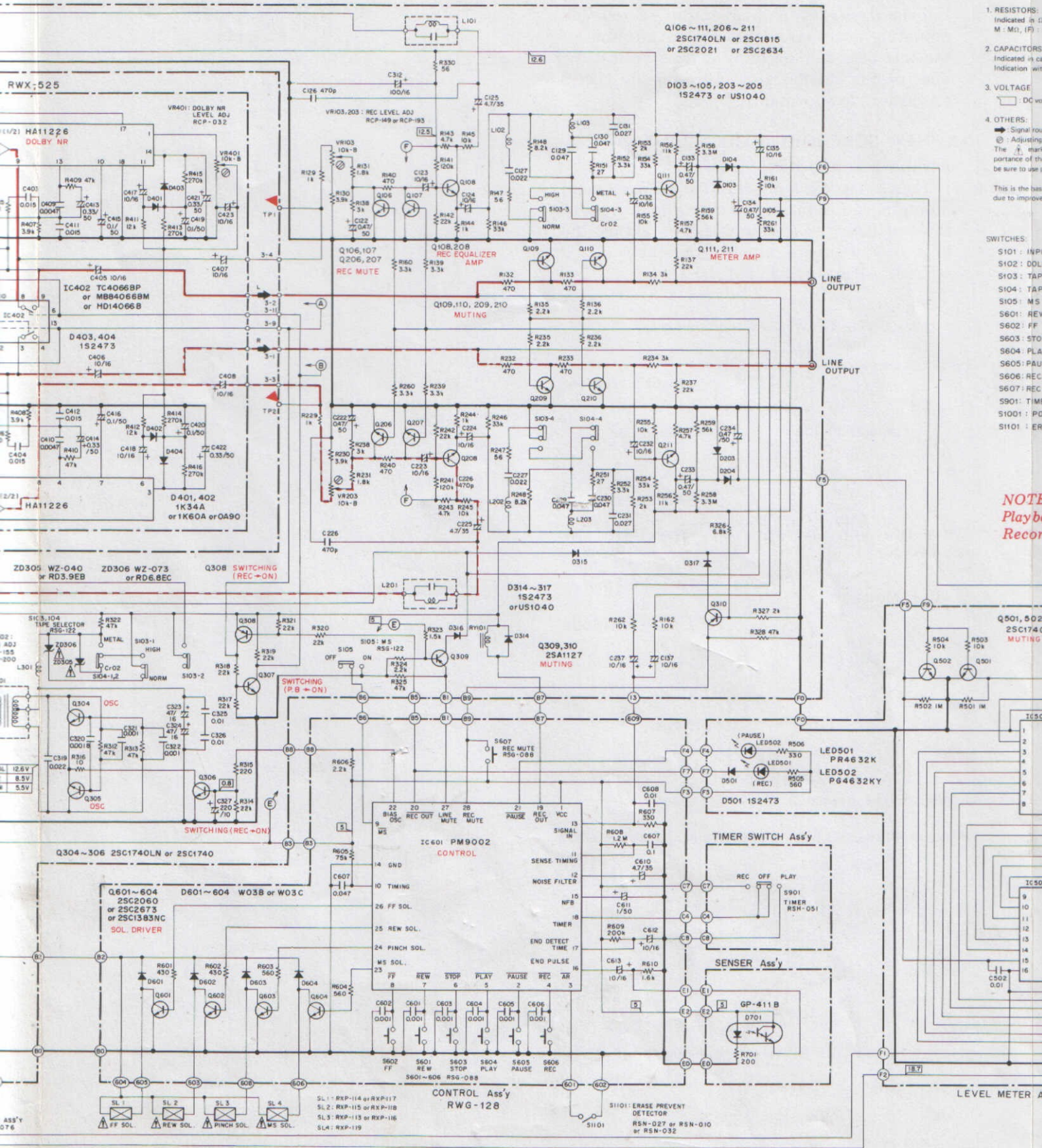


# SCHEMATIC DIAGRAM

MOTHER Ass'y RWX-521





NOTE:  
The in  
only. C  
are list

- RESISTORS:  
Indicated in Ω,  
k, or M; M: MΩ, (F) is  
indicated.
  - CAPACITORS:  
Indicated in p,  
n, or μ; Indication  
in Ω is indicated.
  - VOLTAGE:  
DC voltage is  
indicated by a square  
symbol.
  - OTHERS:  
Signal flow is  
indicated by a circle  
with a dot; Adjusting  
points are marked with  
a triangle; The 2, marking  
partance of the  
be sure to use is  
the basis due to improve.
- SWITCHES:  
S101: INPUT  
S102: DOLBY NR  
S103: TAPE  
S104: TAPE  
S105: MS  
S601: REW  
S602: FF  
S603: STOP  
S604: PLAY  
S605: PAUSE  
S606: REC  
S607: REC MUTE  
S901: TIMER  
S1101: ERASE PREVENT DETECTOR

NOTE:  
Playb  
Recor

**NOTE:**  
The indicated semiconductors are representative ones only. Other alternative semiconductors may be used and are listed in the parts list.

**1. RESISTORS:**  
Indicated in  $\Omega$ ,  $\%W$ ,  $\pm 5\%$  tolerance unless otherwise noted k:  $\times 10^3$ , M:  $\times 10^6$ , (F):  $\pm 1\%$ , (G):  $\pm 2\%$ , (K):  $\pm 10\%$ , (M):  $\pm 20\%$  tolerance

**2. CAPACITORS:**  
Indicated in capacity ( $\mu F$ )/voltage (V) unless otherwise noted p: pF  
Indication without voltage is 50V except electrolytic capacitor.

**3. VOLTAGE**  
□ DC voltage (V) at no input signal

**4. OTHERS:**  
➔ Signal route  
⊙ Adjusting point  
The  $\frac{1}{2}$  mark found on some component parts indicates the importance of the safety factor of the part. Therefore, when replacing, be sure to use parts of identical designation.

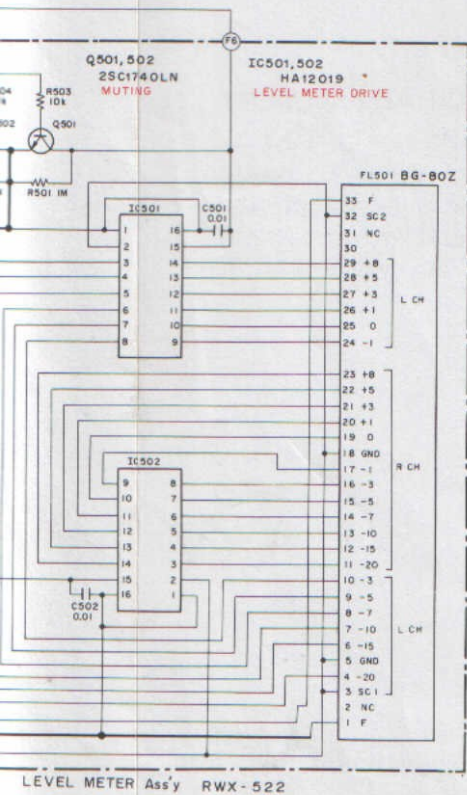
This is the basic schematic diagram, but the actual circuit may vary due to improvements in design.

**SWITCHES:**

S101: INPUT SELECTOR	<u>LINE</u> — MIC
S102: DOLBY NR	<u>OFF</u> — ON
S103: TAPE SELECTOR	<u>NORM</u> — HIGH
S104: TAPE SELECTOR	<u>CrO2</u> — METAL
S105: MS	<u>ON</u> — OFF
S601: REW	<u>ON</u> — OFF
S602: FF	<u>ON</u> — OFF
S603: STOP	<u>ON</u> — OFF
S604: PLAY	<u>ON</u> — OFF
S605: PAUSE	<u>ON</u> — OFF
S606: REC	<u>ON</u> — OFF
S607: REC MUTE	<u>ON</u> — OFF
S901: TIMER	<u>REC</u> — OFF — PLAY
S1001: POWER	<u>ON</u> — OFF
S1101: ERASE PREVENT DETECTOR	<u>MOLE</u> — NO HOLE

The underlined indicates the switch position.

**NOTE;**  
Playback signal route —————  
Recording signal route - - - - -



External Appearance of Transistors and ICs

