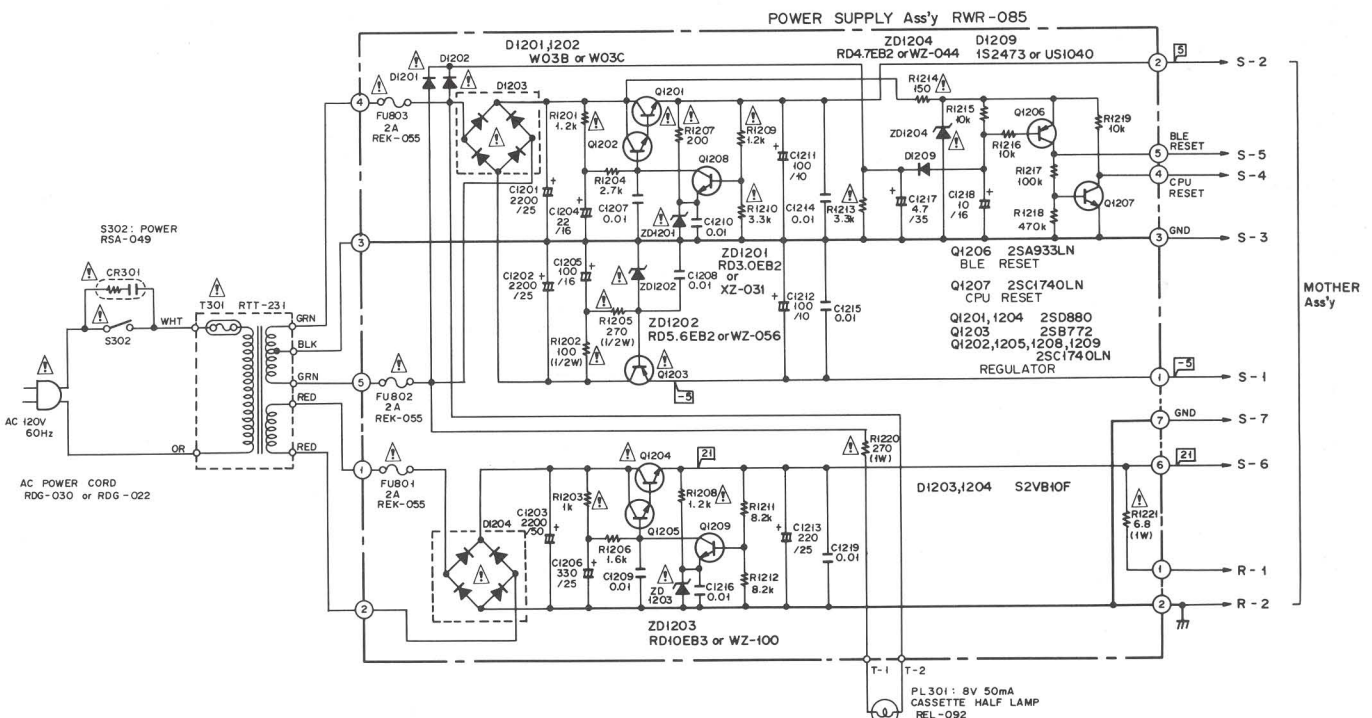
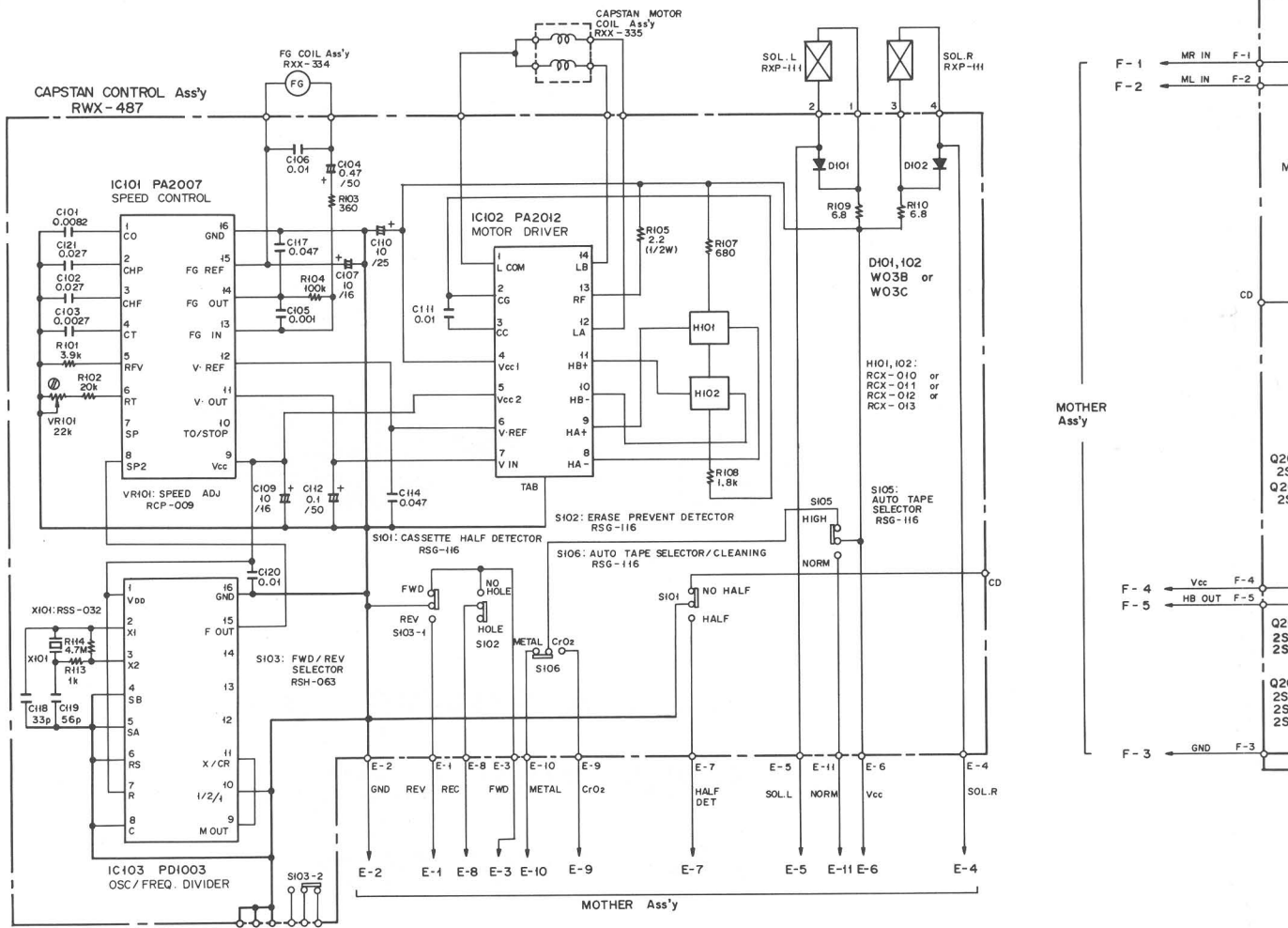


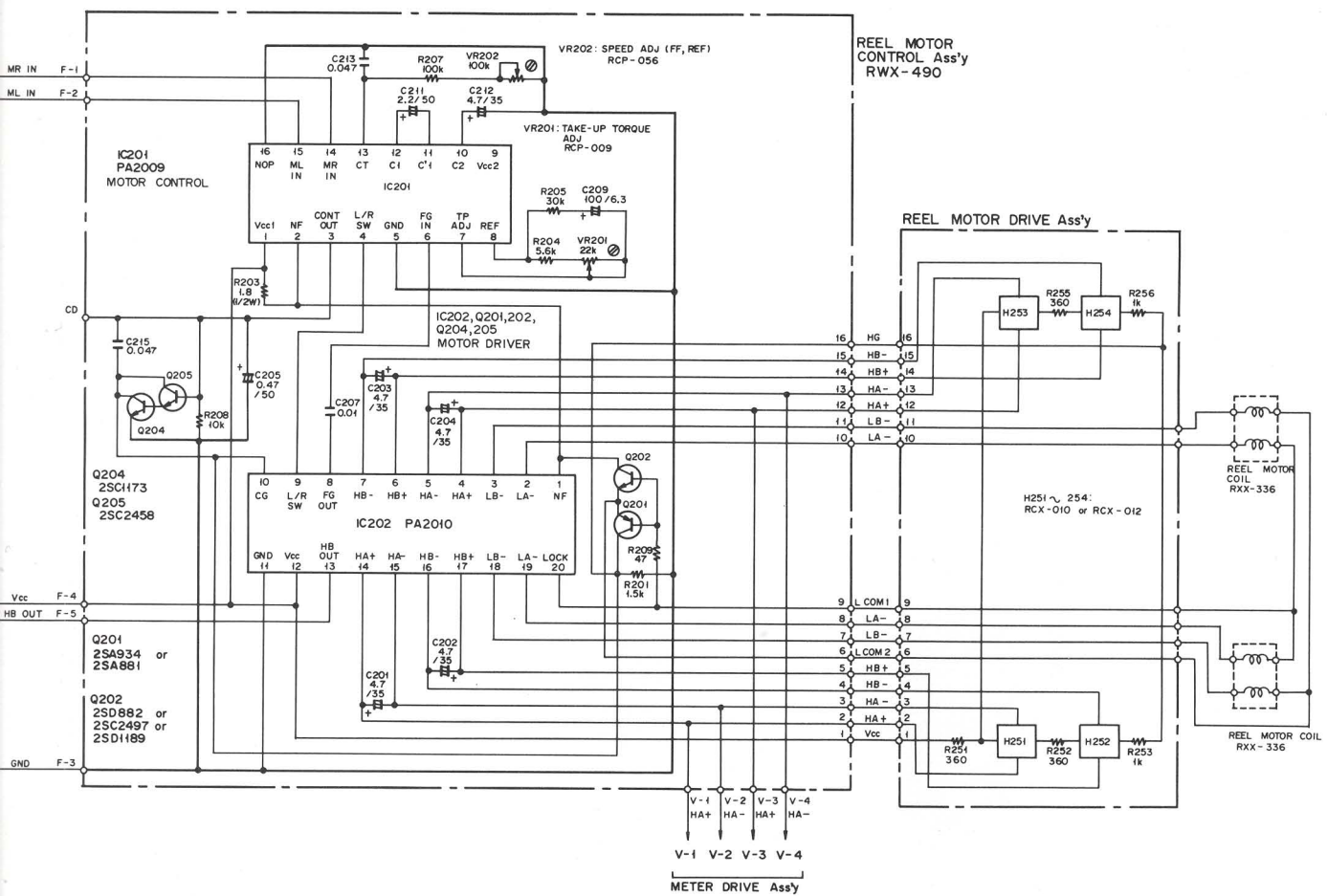
SCHEMATIC DIAGRAM

CT-9R / KU

1 MOTOR DRIVE & POWER SUPPLY SECTION

1 MOTOR DRIVE & POWER SUPPLY SECTION





1. RESISTORS:
Indicated in Ω , $\frac{1}{2}W$, $\pm 5\%$ tolerance unless otherwise noted k : k Ω , M : M Ω , (F) : $\pm 1\%$, (G) : $\pm 2\%$, (K) : $\pm 10\%$, (M) : $\pm 20\%$ tolerance
 2. CAPACITORS:
Indicated in capacity (μF)/voltage (V) unless otherwise noted p : pF
Indication without voltage is 50V except electrolytic capacitor.
 3. VOLTAGE
 : DC voltage (V) at no input signal
 4. OTHERS:
 : Adjusting point.
The mark found on some component parts indicates the importance of the safety factor of the part. Therefore, when replacing, be sure to use parts of identical designation.
- SWITCHES:
- | | |
|-------------------------------------|---|
| S101 : CASSETTE HALF DETECTOR | <u>NO HALF</u> - HALF |
| S102 : ERASE PREVENT DETECTOR | <u>HOLE</u> - NO HOLE |
| S103 : FWD/ REV SELECTOR | <u>FWD</u> - REV |
| S105 : AUTO TAPE SELECTOR | <u>NORM</u> - HIGH |
| S106 : AUTO TAPE SELECTOR/ CLEANING | <u>METAL/OFF</u> - CrO ₂ /ON |
| S302 : POWER | <u>ON</u> - OFF |

The underlined indicates the switch position.

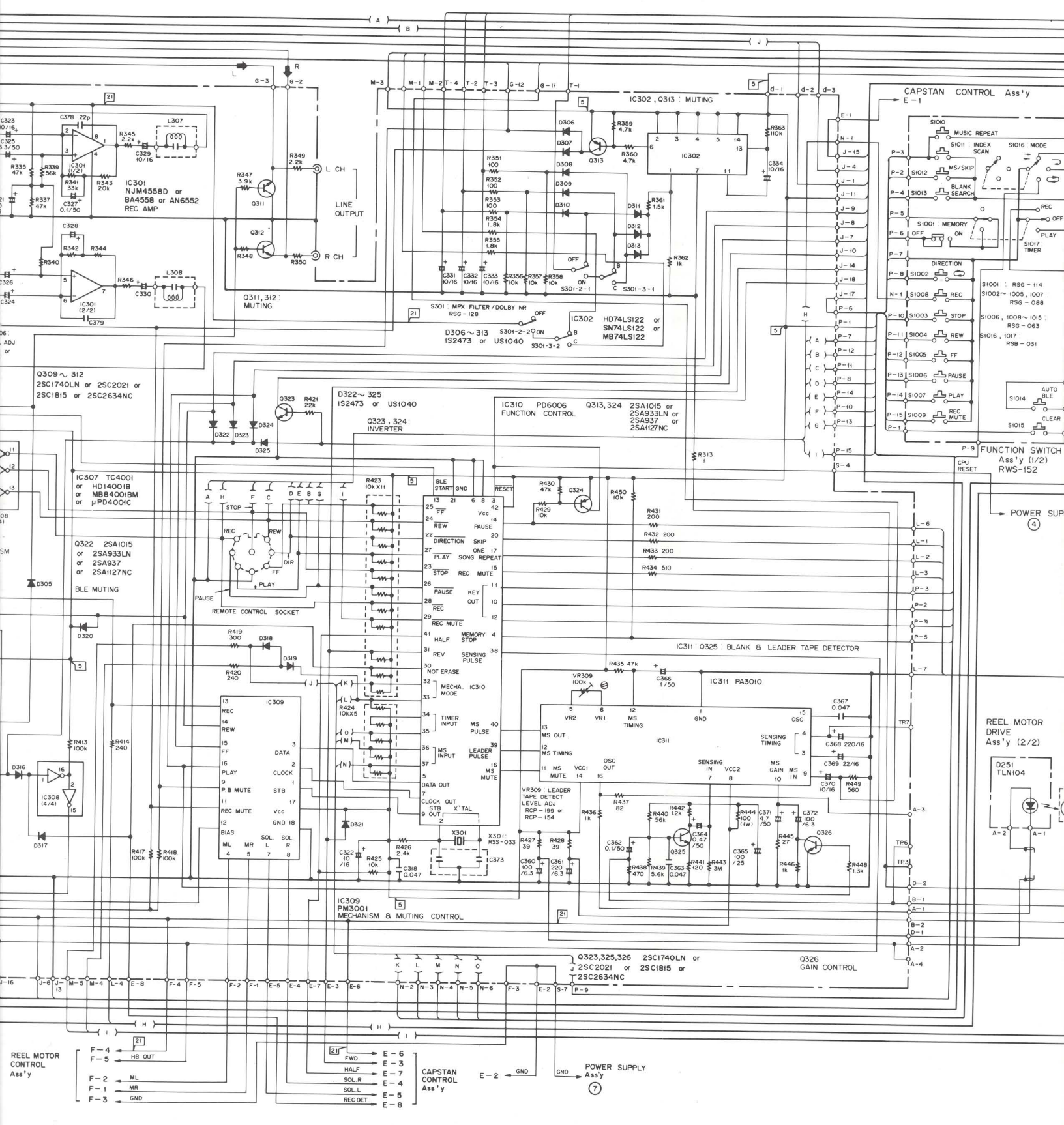
This is the basic schematic diagram, but the actual circuit may vary due to improvements in design.

MOTHER Ass'y

SCHEMATIC DIAGRAM

CT-9R / KU

2 SIGNAL & CONTROL SECTION



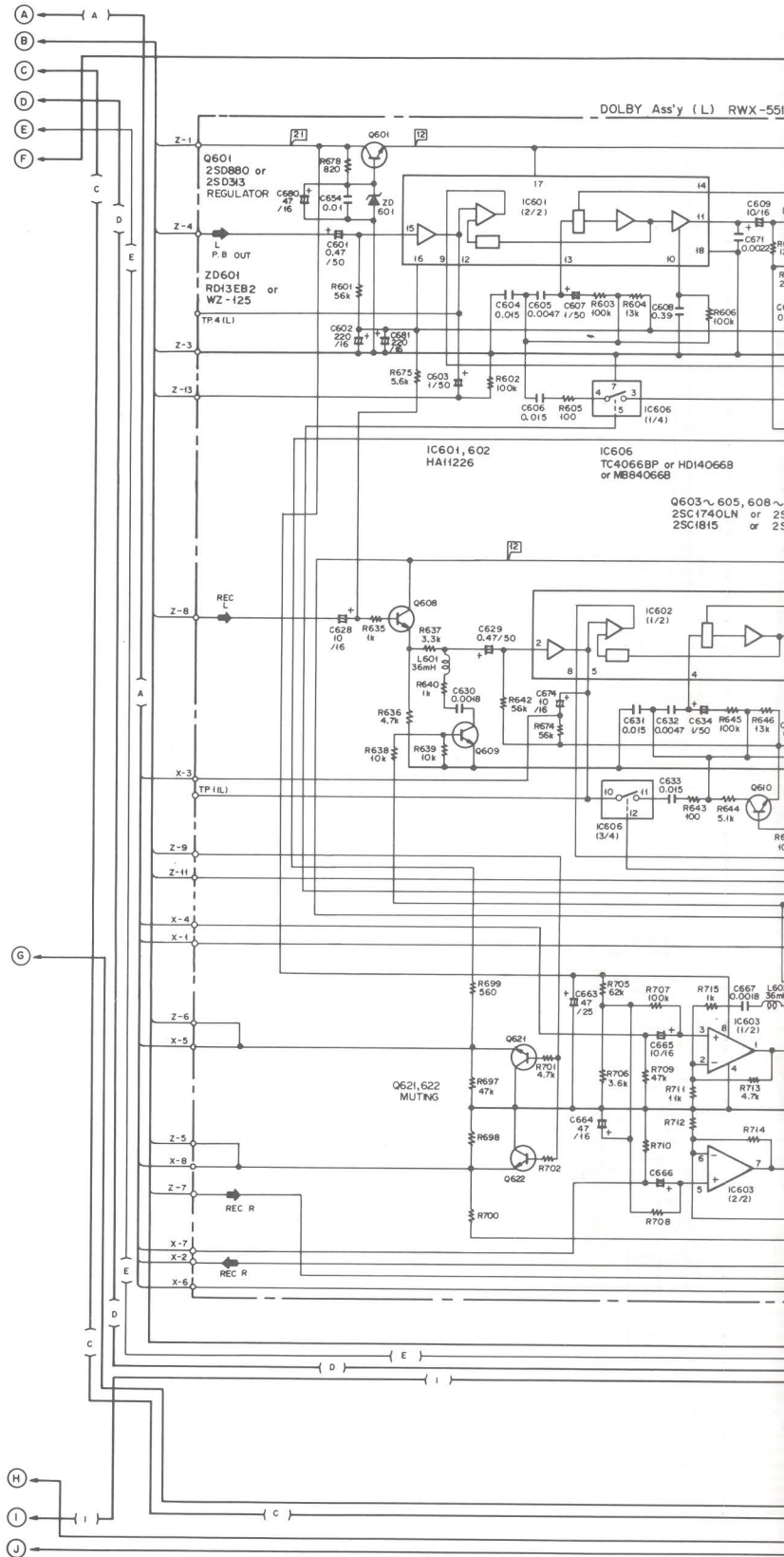
SCHEMATIC DIAGRAM

CT-9R / KU

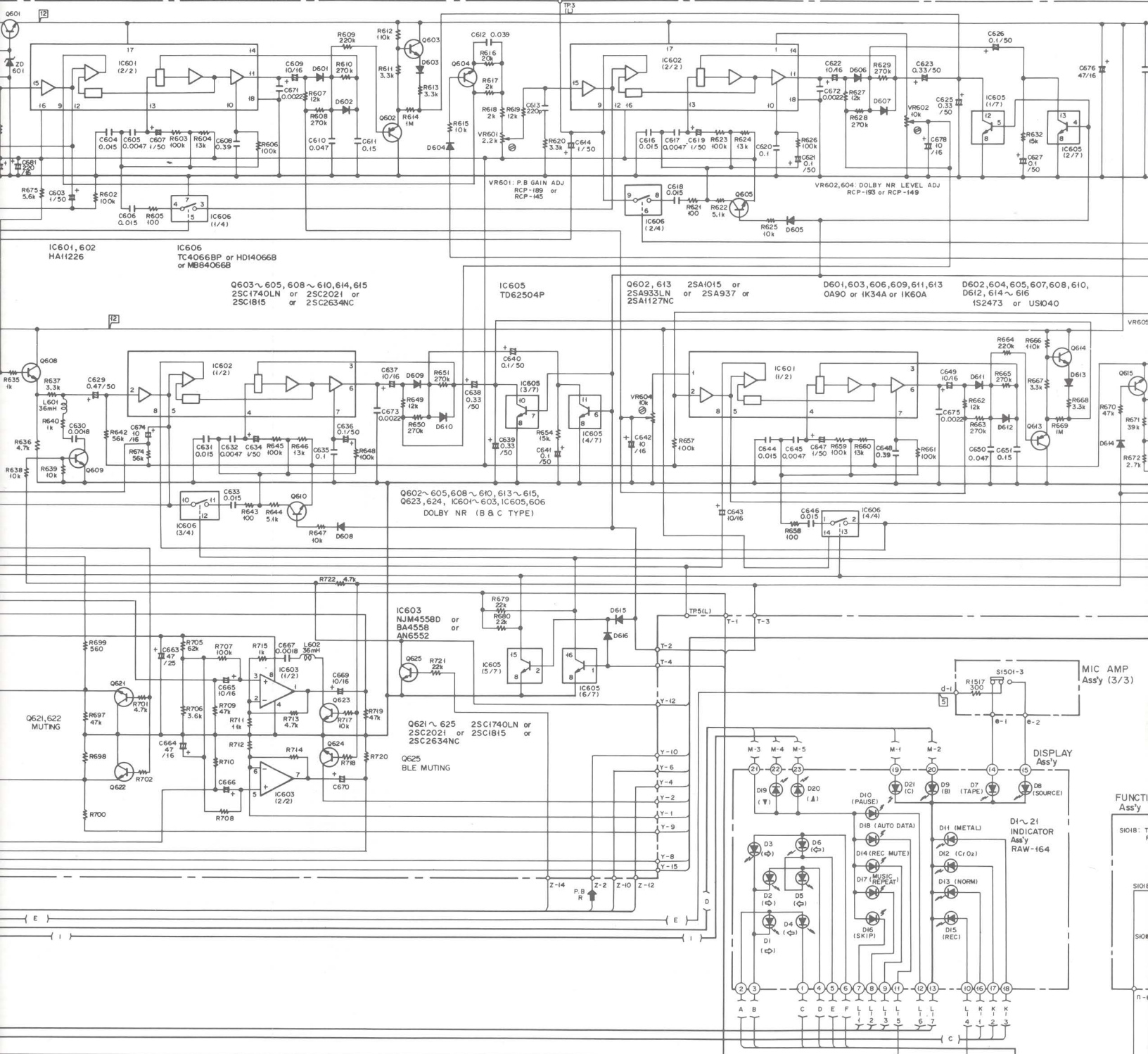
3 DOLBY & INDICATOR SECTION

 **PIONEER®**

3 DOLBY & INDICATOR SECTION



DOLBY Ass'y (L) RWX-551



MIC AMP Ass'y (3/3)

DISPLAY Ass'y

FUNCTION Ass'y

SI018: T

SI018: T

SI018: T

SI018: T

SI018: T

SI018: T

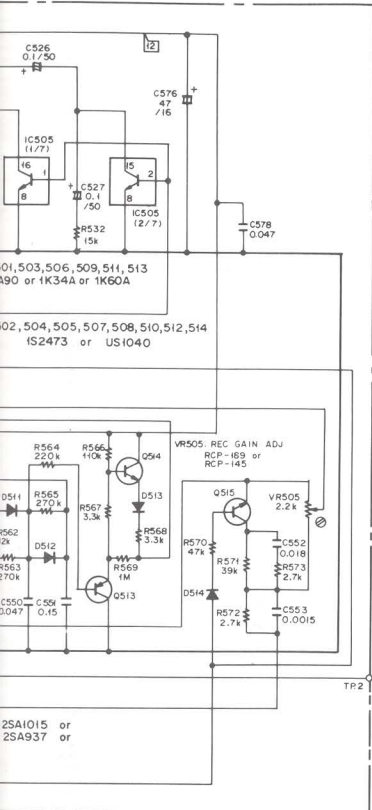
SI018: T

SI018: T

SI018: T

SI018: T

SI018: T



1. RESISTORS:
Indicated in Ω , $\frac{1}{2}W$, $\pm 5\%$ tolerance unless otherwise noted k : k Ω ,
M : M Ω , (F) : $\pm 1\%$, (G) : $\pm 2\%$, (K) : $\pm 10\%$, (M) : $\pm 20\%$ tolerance
2. CAPACITORS:
Indicated in capacity (μF)/voltage (V) unless otherwise noted p : pF
Indication without voltage is 50V except electrolytic capacitor.
3. VOLTAGE
□ : DC voltage (V) at no input signal
4. OTHERS:
➔ : Signal route.
⊗ : Adjusting point.
The Δ mark found on some component parts indicates the importance of the safety factor of the part. Therefore, when replacing, be sure to use parts of identical designation.

SWITCHES:
S1018 : TAPE CAPACITY 46L - 46 - 60 - 90
S1101 : RESET ON - OFF
S1102 : TAPE / TIME SELECTOR TAPE - TIME
S1501 : MONITOR TAPE - SOURCE

The underlined indicates the switch position.

This is the basic schematic diagram, but the actual circuit may vary due to improvements in design.

