

ADDITIONAL

 PIONEER®

# Service Manual

ORDER NO.  
ARP-097-0

STEREO CASSETTE TAPE DECK

# CT-9R

KU, KC, HE,  
HB, HP, D, D/G

- In CT-9R, a one-chip IC (PA3012) is incorporated in the DOLBY NR circuit with the following Serial No.

Type	Serial No.	
KU	3604701	~
KC	3400501	~
HE	8402301	~
HB	8500301	~
HP	8600101	~
D	9302201	~
D/G	9303301	~

- For the contents other than those described in this additional service manual, please see the original service manual.

- The Part No. of the P.C. board was changed as follows:

P.C. Board Type	Mother Assembly		DOLBY NR Assembly		Sub Amp Assembly		MIC Amp Assembly	
	Old	New	Old	New	Old	New	Old	New
KU	RWX-535	RWX-578	RWX-551 and RWX-547	RWX-579	RWF-097	RWF-102	RWF-099	RWF-103
KC								
HE								
HB								
HP								
D								
D/G								

Continued on page 2

**PIONEER ELECTRONIC CORPORATION** 4-1, Meguro 1-Chome, Meguro-ku, Tokyo 153, Japan  
**PIONEER ELECTRONICS (USA) INC.** 1925 E. Dominguez St., Long Beach, California 90810 U.S.A.  
**PIONEER ELECTRONIC (EUROPE) N.V.** Luithagen-Haven 9, 2030 Antwerp, Belgium  
**PIONEER ELECTRONICS AUSTRALIA PTY. LTD.** 178-184 Boundary Road, Braeside, Victoria 3195, Australia

Continued from page 1

P.C. Board Type	Headphones Amp Assembly		Power Supply Assembly		Voltage Change Assembly		Remarks
	Old	New	Old	New	Old	New	
KU	RWF-098	RWF-104	RWR-085	RWR-089	Non-use	RWX-603	
KC			RWR-088	RWR-090			
HE			RWR-086	RWR-091			
HB							
HP							
D						RWR-087	
D/G							

• When replacing the DOLBY NR IC PA3012 in 3-head decks:

1. As a rule, replace ICs with only ICs of the same rank within each channel (right or left).
2. If an IC of the same rank is not available, the IC of one rank higher or lower (see table 1 below) can be used instead. However, after replacement, the ICs on the recording side and the playback side must not differ by more than one rank.
3. The colors in table 1 refer to the color marking on the top surface of the IC package (see fig.1).

**Example:**

**Acceptable replacement:**

	Lch	Rch
Recording Side	PA3012-01-R	PA3012-01-Y
Playback Side	PA3012-01-R	PA3012-01-Y

	Lch	Rch
Recording Side	PA3012-01-O	PA3012-01-V
Playback Side	PA3012-01-O	PA3012-01-G

- Rank does not differ within each channel.

**Unacceptable replacement:**

	Lch	Rch
Recording Side	PA3012-01-O	PA3012-01-Y
Playback Side	PA3012-01-O	PA3012-01-V

- In this example, the rank of yellow and violet are more than one rank.

**Ranking color**

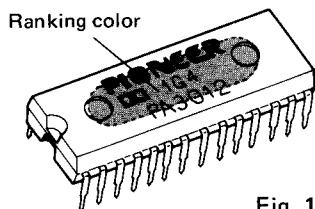


Fig. 1

	Rank	Part No.	Color
HIGH ↑	1	PA3012-01-R	Red
	2	PA3012-01-V	Violet
	3	PA3012-01-G	Green
	4	PA3012-01-Y	Yellow
	5	PA3012-01-O	Orange
LOW ↓	6	PA3012-01-B	Blue

Table 1

# 1. PARTS LIST

**NOTES:**

- When ordering resistors, first convert resistance values into code form as shown in the following examples.
  - Ex. 1 When there are 2 effective digits (any digit apart from 0), such as 560 ohm and 47k ohm (tolerance is shown by J = 5%, and K = 10%).
 

560Ω	56 × 10 <sup>1</sup>	561	.....	RD¼PS	561J
47kΩ	47 × 10 <sup>3</sup>	473	.....	RD¼PS	473J
0.5Ω	0R5	.....	.....	RN2H	0R5K
1Ω	010	.....	.....	RS1P	010K
  - Ex. 2 When there are 3 effective digits (such as in high precision metal film resistors).
 

5.62kΩ	562 × 100	5621	.....	RN¼SR	5621F
--------	-----------	------	-------	-------	-------
- The  $\Delta$  mark found on some component parts indicates the importance of the safety factor of the part. Therefore, when replacing, be sure to use parts of identical designation.
- For your Parts Stock Control, the fast moving items are indicated with the marks **★★** and **★**.
  - ★★** GENERALLY MOVES FASTER THAN **★**.
  - This classification shall be adjusted by each distributor because it depends on model number, temperature, humidity, etc.

**Miscellaneous Parts List**

**P.C. BOARD ASSEMBLIES**

Mark	Part No.	Symbol & Description
	RWX-578	Mother assembly
	RWX-579	DOLBY NR assembly
	RWX-536	Equalizer assembly
	RWF-102	Sub amplifier assembly
	RWF-103	MIC amplifier assembly
	RWX-532	Meter drive assembly
	RWF-104	Headphones amplifier assembly
	RWR-089	Power supply assembly (KU type)
	RWR-090	(KC type)
	RWR-091	(HE, HB and HP types)
	RWR-092	(D and D/G types)
	RWS-151	Function switch assembly
	RWX-533	Counter assembly
	RWX-603	Voltage change assembly (KU, KC, HE, HB and HP types)
	RWX-590	(D and D/G types)
	RWX-588	Reel motor control assembly C
	RWX-584	Capstan motor control assembly E
	RXX-359	Reel motor assembly C (Included in the reel motor drive assembly C and the reel motor drive coil).
	RXX-361	Capstan motor coil assembly (Included in the capstan motor drive coil.)

**OTHERS**

Mark	Part No.	Symbol & Description
$\Delta$ ★	RTT-231	Power transformer (120V; KU type)
	RTT-263	(120V; KC type)
	RTT-251	(220V/240V; HE, HB, HP types)
	RTT-252	(120V/220V/240V; D, D/G types)
$\Delta$ ★★	RSA-049	Power switch (KU, KC types)
	RSA-052	(HE, HB, HP types)
	RSA-043	(D, D/G types)
$\Delta$	RDG-022	AC power cord (KU, KC types)
	(RDG-030)	
	RDG-027	(HE type)
	RDG-032	(HB type)
	RDG-029	(HP type)
	RDG-024	(D, D/G types)
$\Delta$	RWX-234	Spark killer (KU type)
	RWX-235	(KC type)
	C43-003	(D, D/G types)
$\Delta$ ★★	REK-055	Fuse T2A (KU, KC types)
	REK-064	T800mA (HE, HB, HP types)
	REK-054	T2.5A (HE, HB, HP types)
	REK-047	T3.15A (HE, HB, HP types)
	REK-051	T1A (D type)
	REK-063	T1.5A (D/G type)
	RSX-045	Line Voltage Selector (Switchable 2 positions; 220V/240V)
	RSX-020	(switchable 3 positions; 120V/220V/240V)
★	RAW-164	Display assembly
★	RAW-165	Level meter assembly
★★	SLF-201C	Half LED
★★	RXX-337	Head assembly
★	RPB-095	Erase Head
★	RXP-111	Plunger solenoid
	RXX-334	FC coil assembly

**Mother Assembly (RWX-578)**

**CAPACITORS**

Mark	Part No.	Symbol & Description
	CKDYF 473Z 50	C301, C318, C335, C363
	CEA R10M 50	C362
	CEA R22M 50	C327, C328, C339, C343
	CEA R47M 50	C325, C326, C354, C357, C364
	CEA 010M 50	C314, C355, C356, C366
	CEA 4R7M 50	C371, C384
	CEA 3R3M 50	C329, C330
	CEA 100M 25	C313
	CEA 220M 25	C304, C374, C383
	CEA 470M 25	C303
	CEA 101M 25	C365
	CEA 100M 16	C323, C324, C359, C370, C377, C386
	CEA 220M 16	C369
	CEA 221M 16	C302, C321, C368, C376
	CEA 222M 10	C345
	CEA 470M 10	C306, C322
	CEA 221M 6R3	C361
	CEA 101M 6R3	C360, C372
	CQMA 152J 50	C346, C350
	CQMA 122J 50	C342
	CQMA 332J 50	C307, C308, C347, C351
	CQMA 682J 50	C348, C352
	CQMA 272J 50	C319, C320
	CQMA 272K 50	C381, C382
	CQMA 123J 50	C338, C349, C353
	CQMA 103J 50	C309, C310
	CQMA 683K 50	C336, C337
	CQMA 123K 50	C340, C341
	CQMA 103K 50	C312
	CQMA 473K 50	C367
	CQMA 682K 50	C315
	CQMA 472K 50	C358
	CCDSL 220K 50	C378, C379
	CKDYF 103Z 50	C305, C375, C385
	CQSH 181K 50	C316, C317
	CQPA 182J 100	C311

**RESISTORS**

*Note: When ordering resistors, convert the resistance value into code form, and then rewrite the part no. as before.*

Mark	Part No.	Symbol & Description
★	RCP-195 (RCP-150)	VR301, VR305-VR307 Semi-fixed (22k-B)
★	RCP-189 (RCP-145)	VR302 Semi-fixed (2.2k-B)
★	RCP-196 (RCP-151)	VR303, VR304 Semi-fixed (33k-B)
★	RCP-199 (RCP-154)	VR309 Semi-fixed (100k-B)
★	RCP-197 (RCP-152)	VR308 Semi-fixed (47k-B)

Mark	Part No.	Symbol & Description
△	RS1PF 101J	R444
	RM10-273J	R397
	RM11-103J	R423
	RM5-103J	R424
	RM5-223J	R402
	RM8-223J	R463

RD¼PM □□□J	R301-R332, R335, R337, R339-R350, R354, R355, R364-R369, R371-R377, R379-R381, R383, R385-R396, R399-R401, R403, R405-R421, R425-R443, R445, R446, R448-R451, R454-R462, R464
------------	---

**SEMICONDUCTORS**

Mark	Part No.	Symbol & Description
★★	NJM4558D (BA4558) (AN6552)	IC301
★★	PD6006	IC310
★★	PD4012	IC306
★★	PM3001	IC309
★★	PA3010	IC311
★★	PM9001A	IC305
★★	µPD4011BC	IC303, IC304
★★	TC4001BP (HD14001B) (MB84001BM) (µPD4001C)	IC307
★★	BA619	IC308
★★	2SC2497 (2SD1189)	Q301
★★	2SD1189 (2SC2497) (2SD882)	Q303, Q304
★★	2SC2060 (2SC2673) (2SC1383NC)	Q302, Q306
★★	2SA934 (2SA881)	Q307
★★	2SC1740LN (2SC2021) (2SC1815) (2SC2634NC)	Q305, Q314-Q316, Q319-Q321, Q323, Q325, Q326, Q328
★★	2SC1740LN	Q309-Q312
★★	2SA1015 (2SA933LN) (2SA937) (2SA1127NC)	Q317, Q322, Q324, Q327
★	1S2473 (US1040)	D301-D305, D314-D336

**COILS**

Mark	Part No.	Symbol & Description
	RTF-057	L301 Line coil
	RTF-067	L305, L306 Peaking coil (5mH)
	RTF-084	L307, L308 Trap coil
	RTD-015	L309 OSC coil
	RTD-018	L303 Transformer
	RTD-027	L302 OSC coil

**OTHERS**

Mark	Part No.	Symbol & Description
★★	RSG-128	S301 Push switch assembly
	RKB-018	Terminal (LINE)
	RKP-506	Connector assembly (3P)
	RKP-362	Connector assembly (5P)
	RKP-361	Connector assembly (11P)
	RKP-501	Connector assembly (3P)
	RSS-033	X301 (C373) Ceramic resonator assembly
	RBF-041	Spacer

**DOLBY NR Assembly (RWX-579)**

**CAPACITORS**

Mark	Part No.	Symbol & Description
	CEA 101M 16	C601, C602, C659, C660, C711
	CEA R33M 50	C619-C622, C675-C678
	CEA R47M 50	C647, C648, C703, C704
	CEA R15M 50	C645, C646, C701, C702
	CEA 010M 50	C603, C604, C623-C626, C679-C682
	CEA 4R7M 35	C617, C618, C643, C644, C673, C674, C699, C700
	CEA 100M 16	C651-C654, C657, C658, C683, C684, C707-C710
	CEA 470M 25	C712, C714
	CEA 220M 25	C716, C719
	CEA 221M 10	C605, C606, C661, C662
	CEANL 100M 16	C609, C610, C639, C640, C665, C666, C695, C696
	CQMA 182J 50	C649, C650, C705, C706
	CQMA 102K 50	C629, C630, C689, C690
	CQMA 562K 50	C631, C632, C687, C688
	CQMA 103K 50	C607, C608, C633, C634, C667, C668, C691, C692
	CQMA 123K 50	C635, C636, C655, C656
	CQMA 153K 50	C611-C614, C637, C638, C663, C664, C669, C670, C693, C694
	CQMA 183K 50	C615, C616, C671, C672
	CQMA 823K 50	C641, C642, C697, C698
	CKDYF 103Z 50	C713, C715
	CCDSL 390K 50	C627, C628, C685, C686
	CCDSL 221K 50	C717, C718

**RESISTORS**

*Note: When ordering resistors, convert the resistance value into code form, and then rewrite the part no. as before.*

Mark	Part No.	Symbol & Description
	RD¼PM □□□J	R601-R715, R717, R718

**SEMICONDUCTORS**

Mark	Part No.	Symbol & Description
*★★	PA3012-01-R (PA3012-01-V) (PA3012-01-G) (PA3012-01-Y) (PA3012-01-O) (PA3012-01-B)	IC601-IC604

*\* NOTE: Always read the precautions on page 2 before performing IC replacement.*

★★	2SD880 (2SD313)	Q601
★★	2SC1740LN (2SC2021) (2SC1815) (2SC2634NC)	Q602-Q604
★★	2SA1015 (2SA933LN) (2SA937) (2SA1127NC)	Q605
★★	2SC2060 (2SC2673) (2SC1383NC)	Q606
★	1S2473 (US1040)	D601-D605
★	WZ-150	ZD601

**OTHERS**

Mark	Part No.	Symbol & Description
	RSR-035	RL1 Relay
	RTF-091	L601, L602 Coil 36mH
	RTF-092	L603, L604 Coil 36mH
	RTF-083	L607, L608 MPX filter block
	RTF-096	L605, L606 Trap coil

**Equalizer Assembly (RWX-536)**

**CAPACITORS**

Mark	Part No.	Symbol & Description
	CQMA 562K 50	C1313, C1314
	CQMA 272K 50	C1307, C1308
	CQMA 223K 50	C1311, C1312
	CQMA 682K 50	C1303, C1304

**RESISTORS**

*Note: When ordering resistors, convert the resistance value into code form, and then rewrite the part no. as before.*

Mark	Part No.	Symbol & Description
	RD%PM □□□ J	R1301–R1312, R1315–R1318

**SEMICONDUCTOR**

Mark	Part No.	Symbol & Description
★★	TD62504P	IC1301

**Sub Amplifier Assembly (RWF-102)**

**CAPACITORS**

Mark	Part No.	Symbol & Description
	CEANL 100M 16	C1701, C1702
	CEA 4R7M 35	C1719, C1720
	CEA 010M 50	C1727, C1728
	CEA 100M 16	C1717, C1718, C1729, C1730, C1733, C1734
	CEA 220M 25	C1723
	CEA 330M 16	C1705, C1706
	CEA 471M 10	C1715, C1716
	CEA 331M 25	C1724, C1742, C1752
	CQSH 331K 50	C1703, C1704
	CQMA 822K 50	C1713, C1714
	CQMA 473K 50	C1725, C1726
	CQSH 220K 50	C1709, C1710
	CCDSL 471K 50	C1731, C1732
	CQSH 101K 50	C1707, C1708
	CKDYF 473Z 50	C1737
	CCDSL 221K 50	C1739, C1740

**RESISTORS**

*Note: When ordering resistors, convert the resistance value into code form, and then rewrite the part no. as before.*

Mark	Part No.	Symbol & Description
★	RCP-032 (RCP-088)	VR1701, VR1702 Semi-fixed (10k-B)
★	RCP-089 (RCP-009)	VR1703, VR1704 Semi-fixed (22k-B)
	RD%PM □□□ J	R1701–R1705, R1707–R1730, R1733–R1739, R1741–R1756, R1763–R1768, R1771, R1772, R1793
★	33D28 (TD5–C225D)	TH1701, TH1702 Thermistor

**SEMICONDUCTORS**

Mark	Part No.	Symbol & Description
★★	NJM4558D (BA4558) (AN6552)	IC1701
★★	2SC2240	Q1701, Q1702
★★	2SC1740LN	Q1703, Q1704
★★	2SC1740LN (2SC2021) (2SC1815) (2SC2634NC)	Q1705–Q1710
★	1S2473 (US1040)	D1701

**OTHERS**

Mark	Part No.	Symbol & Description
	RTF-058	L1701, L1702 Trap coil
	RKP-444	Connector assembly (3P)

**MIC Amplifier Assembly (RWF-103)**

**CAPACITORS**

Mark	Part No.	Symbol & Description
	CEA R47M 50	C1501, C1502
	CEA 010M 50	C1515, C1516
	CEA 470M 25	C1509
	CEA 100M 16	C1507, C1508
	CEA 470M 16	C1510
	CEA 101M 16	C1505, C1506
	CKDYB 332K 50	C1511, C1512
	CKDYF 473Z 50	C1513
	CCDSL 101K 50	C1503, C1504

**RESISTORS**

*Note: When ordering resistors, convert the resistance value into code form, and then rewrite the part no. as before.*

Mark	Part No.	Symbol & Description
	RD%PM □□□ J	R1501-R1514, R1517

**SEMICONDUCTORS**

Mark	Part No.	Symbol & Description
★★	NJM4558D (AN6552) (BA4558)	IC1501
★	1S2473 (US1040)	D1501, D1502

**OTHERS**

Mark	Part No.	Symbol & Description
	RKN-075	J1501 Jack assembly
★★	RSG-134	S1501 Push switch

## Meter Drive Assembly (RWX-532)

### CAPACITORS

Mark	Part No.	Symbol & Description
	CEA 470M 16	C903
	CEA R47M 50	C905, C906
	CEA 2R2M 50	C909, C910
	CEA 470M 25	C911
	CEA 100M 16	C913, C914
	CEA 221M 16	C907, C908
	CEA 471M 6.3	C912
	CEA 221M 6.3	C921
	CQMA 104K 50	C915-C917
	CKDYF 102Z 50	C920
★	RSS-033 (CSC 101K)	X901 (C922) Ceramic resonator assembly

### RESISTORS

Note: When ordering resistors, convert the resistance value into code form, and then rewrite the part no. as before.

Mark	Part No.	Symbol & Description
★	RCP-032 (RCP-088)	VR901, VR902 Semi-fixed (10k-B)
	RD¼PM □□□J	R901-R942, R944-R947, R951-R966
	4RM-103J	R943 4-resistors network (10k)
	4RM-332J	R950 4-resistors network (3.3k)
	3RM-103J	R949 3-resistors network (10k)
	RM4-103J	R948 4-resistors network (10k)

### SEMICONDUCTORS

Mark	Part No.	Symbol & Description
★★	BA4558 (NJM4558D) (AN6552)	IC901
★★	NJM2903	IC903
★★	PD6008	IC904
★★	MSL9350RS	IC902
★★	M54517P	IC905
★★	2SC1740LN (2SC2021) (2SC1815) (2SC2634NC)	Q901-Q904, Q906, Q911-Q913, Q921
★★	N13T-1	Q905
★★	2SA934 (2SA881)	Q907-Q910, Q917-Q920
★★	2SA1015 (2SA933LN) (2SA937) (2SA1127NC)	Q914-Q916
★	1S2473 (US1040)	D901-D910

## HEADPHONES Amplifier Assembly (RWF-104)

### CAPACITORS

Mark	Part No.	Symbol & Description
	CEA 010M 50	C1601, C1602
	CEA 470M 25	C1603-C1605, C1607
	CKDYF 473Z 50	C1606

### RESISTORS

Note: When ordering resistors, convert the resistance value into code form, and then rewrite the part no. as before.

Mark	Part No.	Symbol & Description
★	RCV-097	VR1601 Variable (20k-B)
★	RCV-096	VR1602 Variable (100k-A)
△	RS1PF 331J	R1607, R1608
△	RD½PSF 181J	R1619, R1623
	RD¼PM □□□J	R1601-R1606, R1609-R1618, R1620-R1622

### SEMICONDUCTORS

Mark	Part No.	Symbol & Description
★★	2SC2060 (2SC2673) (2SC1383NC)	Q1601, Q1602
★★	2SC1740LN	Q1603, Q1604

### OTHERS

Mark	Part No.	Symbol & Description
	RBF-041	Spacer

**Power Supply Assembly (RWR-089; KU),  
(RWR-090; KC),  
(RWR-091; HB, HE and HP),  
(RWR-092; D and D/G)**

**CAPACITORS**

Mark	Part No.	Symbol & Description
	CEA 222M 25	C1201, C1202
	CEA 222M 50	C1203
	CEA 4R7M 35	C1217
	CEA 221M 25	C1213
	CEA 331M 25	C1206
	CEA 101M 16	C1205
	CEA 101M 10	C1211, C1212
	CEA 220M 16	C1204
	CKDYF 103Z 50	C1208-C1210, C1214-C1216, C1219

**RESISTORS**

*Note: When ordering resistors, convert the resistance value into code form, and then rewrite the part no. as before.*

Mark	Part No.	Symbol & Description
⚠	RS1PF 6R8J	R1221 (KU type)
⚠	RS½PSF 101J	R1202
⚠	RS½PSF 271J	R1205
⚠	RD¼PM □□□J	R1201, R1203, R1207-R1210, R1213, R1214, R1218, R1224
	RD¼PM □□□J	R1204, R1206, R1211, R1212, R1215-R1217, R1219, R1220, R1222, R1223, R1225

**SEMICONDUCTORS**

Mark	Part No.	Symbol & Description
⚠	★★ 2SD880 (2SD313)	Q1201, Q1204
⚠	★★ 2SB772 (2SA1096)	Q1203

Mark	Part No.	Symbol & Description
★★	2SC1740LN (2SC2021) (2SC1815) (2SC2634NC)	Q1202, Q1207, Q1208
★★	2SA933LN (2SA937) (2SA1015) (2SA1127NC)	Q1206
★★	2SC1740LN (2SC2240)	Q1205, Q1209
⚠	★ W03B (W03C)	D1201, D1202
⚠	★ S2VB10F ★ 1S2473 (US1040)	D1203, D1204 D1209-D1211
⚠	★ RD3.0EB2 (XZ031)	ZD1201
⚠	★ RD5.6EB2 (WZ-056)	ZD1202
⚠	★ RD4.7EB2 (WZ-044)	ZD1204
⚠	★ RD10EB3 (WZ-100)	ZD1203
★	WZ-085 (RD8.2EB2) (RD8.2EB3)	ZD1205

**OTHERS**

Mark	Part No.	Symbol & Description
	RBF-041	Spacer (KU type)
	REE-051	Insulator
	RKH-005	Insulator
	RBA-026	Special screw
	RKP-366	Connector assembly (7P)
	RKP-475	Connector assembly (3P) Fuse holder C (KU and KC types) Fuse holder B (HE, HB and HP types)

The Power Supply Assembly (RWR-090) (RWR-091) and (RWR-092) are the same as the Power Supply Assembly (RWR-089) except for following sections.

Mark	Symbol & Description	Part No.			
		KU type (RWR-089)	KC type (RWR-090)	HE, HB, HP type (RWR-091)	D, D/G types (RWR-092)
⚠	R1211 Resistor	RD¼PM 822J	RD¼PM 682J	RD¼PM 682J	RD¼PM 682J
	R1221 Resistor	RS1PF 6R8J	.....	.....	.....
	Spacer	RBF-041	.....	.....	.....
	Fuse holder C	Be used	Be used	.....	.....
	Fuse holder B	.....	.....	Be used	.....



## Function Switch Assembly (RWS-151)

### SWITCHES

Mark	Part No.	Symbol & Description
★★	RSG-114	S1001 Push switch
★★	RSG-063	S1006, S1008—S1015 Function switch
★★	RSG-088	S1002—S1005, S1007 Function switch
★★	RSB-031	S1016, S1017 Rotary switch
★★	RSB-032	S1018 Rotary switch

### OTHERS

Mark	Part No.	Symbol & Description
	RKP-365	Connector assembly (4P)

## Counter Assembly (RWX-533)

Mark	Part No.	Symbol & Description
★★	LN543-GA	LED1101
★★	RSG-063	S1101, S1102 Function switch
	RKP-368	Connector assembly (15P)

## Voltage Change Assembly (RWX-603); KU, KC, HE, HB and HP types) (RWX-590; D and D/G types)

### RESISTORS

Note: When ordering resistors, convert the resistance value into code form, and then rewrite the part no. as before.

Mark	Part No.	Symbol & Description
△	RS2PF 111J	R2001
	RD¼PM □□□J	R2002—R2005
△	RD1/8PM 8R2J	R2006, R2007

### SEMICONDUCTORS

Mark	Part No.	Symbol & Description
★★	2SA934 (2SA881)	Q2001
★★	2SC1740LN (2SC2021) (2SC1815) (2SC2634NC)	Q2002

### OTHERS

Mark	Part No.	Symbol & Description
	RBF-041	Spacer (KU, KC, HE, HB and HP types)

### NOTE:

The voltage change assemblies (RWX-603 and RWX-590) have basically the same circuits.

## Reel Motor Control Assembly C (RWX-588)

### CAPACITORS

Mark	Part No.	Symbol & Description
	CEA 4R7M 35	C201, C204, C212
	CEA R47M 50	C205
	CEA 2R2M 50	C211
	CEA 101M 6R3	C209
	CEA 4R7M 35	C202, C203
	CQMA 473K 50	C213
	CKDYF 103Z 50	C207
	CKDYF 473Z 50	C215

### RESISTORS

Note: When ordering resistors, convert the resistance value into code form, and then rewrite the part no. as before.

Mark	Part No.	Symbol & Description
★	RCP-009	VR201 Semi-fixed (22k-B)
★	RCP-056	VR202 Semi-fixed (100k-B)
	RD¼PM □□□J	R201, R204, R205, R207—R209
	RD¼PS 1R8J	R203

### SEMICONDUCTORS

Mark	Part No.	Symbol & Description
★★	PA2009	IC201
★★	PA2010	IC202
★★	2SA934 (2SA881)	Q201
★★	2SD882 (2SC2497) (2SD1189)	Q202
★★	2SC2458	Q205
★★	2SC1173	Q204

### OTHERS

Mark	Part No.	Symbol & Description
	RKP-280	Connector assembly (4P)
	REE-051	Insulator
	RKH-005	Insulator
	RBA-026	Special screw

**Capstan Motor Control Assembly E (RWX-584)**

**CAPACITORS**

Mark	Part No.	Symbol & Description
	CQSH 822K 50	C101
	CEA R47M 50	C104, C111, C114
	CEA 100M 16	C107, C109
	CEA 100M 25	C110
	CQMA 272K 50	C103
	CQMA 273K 50	C102, C121
	CCDCH 330J 50	C118
	CCDCH 560J 50	C119
	CKDYF 103Z 50	C106, C120, C122
	CKDYF 102Z 50	C105
	CKDYF 473Z 50	C117

**RESISTORS**

*Note: When ordering resistors, convert the resistance value into code form, and then rewrite the part no. as before.*

Mark	Part No.	Symbol & Description
★	RCP-117	VR101 Semi-fixed (15k-B)
	RD¼PM □□□ J	R101, R103, R104, R107, R108, R113, R114
	RN¼PR 2002F	R102
	RD¼PF 2R7J	R105

**SEMICONDUCTORS**

Mark	Part No.	Symbol & Description
★★	PA2007	IC101
★★	PA2012	IC102
★★	PD1003	IC103
★	W03B (W03C)	D101, D102
★	RCX-010 (RCX-012)	H101, H102 Hall device
★	RSS-032	X101 Crystal resonator

**SWITCHES**

Mark	Part No.	Symbol & Description
★★	RSC-116	S101, S102, S105, S106 Push switch
★★	RSH-063	S103 Slide switch

**Capstan Motor Coil Assembly (RXX-361)**

Mark	Part No.	Symbol & Description
		Bottom plate A Capstan motor drive coil

**Reel Motor Assembly C (RXX-359)**

**RESISTORS**

*Note: When ordering resistors, convert the resistance value into code form, and then rewrite the part no. as before.*

Mark	Part No.	Symbol & Description
	RD¼PM □□□ J	R251—R253, R255, R256

**SEMICONDUCTORS**

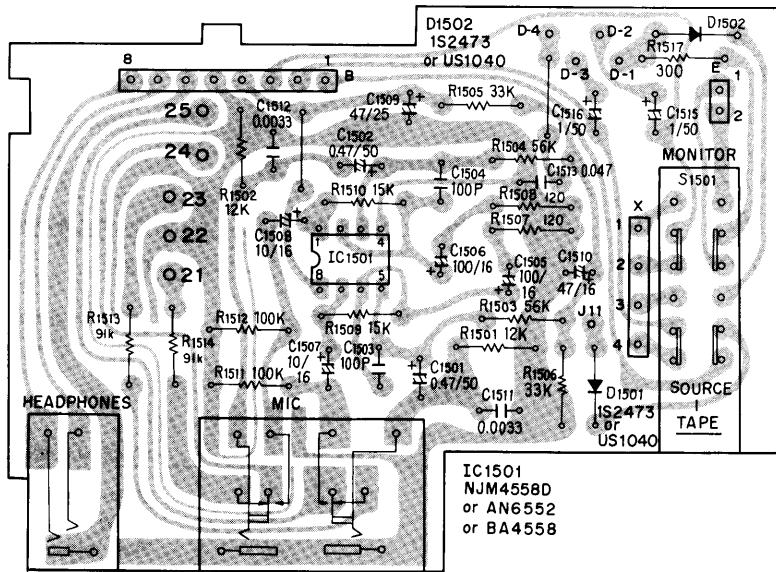
Mark	Part No.	Symbol & Description
★	TLN104	D251
★	RCX-010 (RCX-012)	H251—H254 Hall device

**OTHERS**

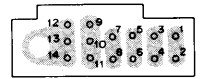
Mark	Part No.	Symbol & Description
		Bottom plate B Shaft B Reel motor drive assembly C Reel motor drive coil

# 2. P.C. BOARD PATTERNS

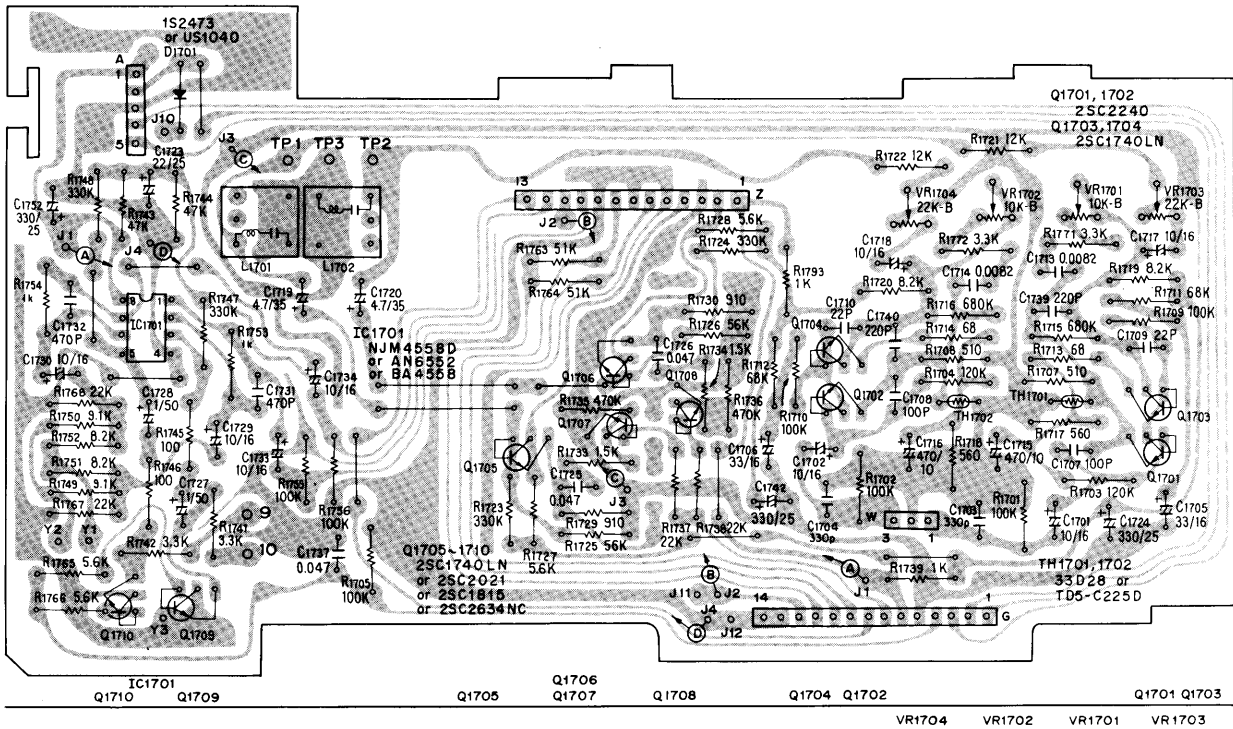
### MIC AMPLIFIER Ass'y RWF-103



### CONNECTOR Ass'y



### SUB AMPLIFIER Ass'y RWF-102



A

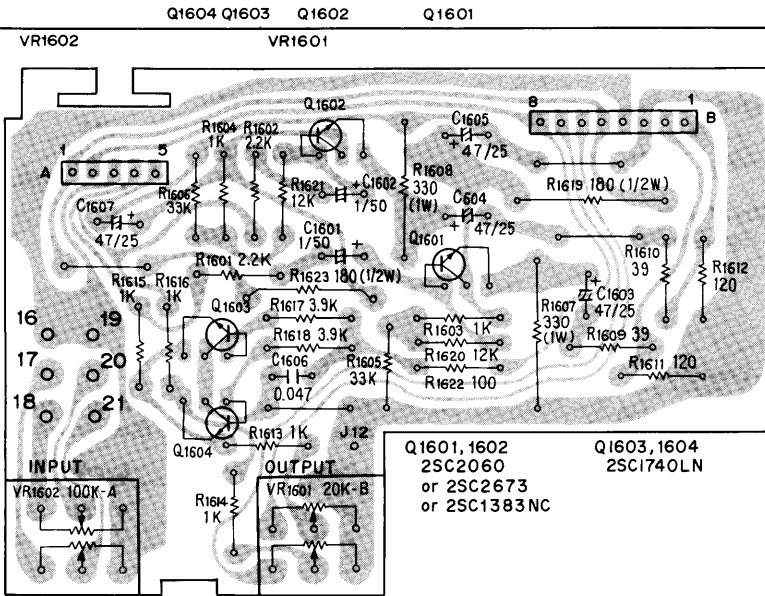
B

C

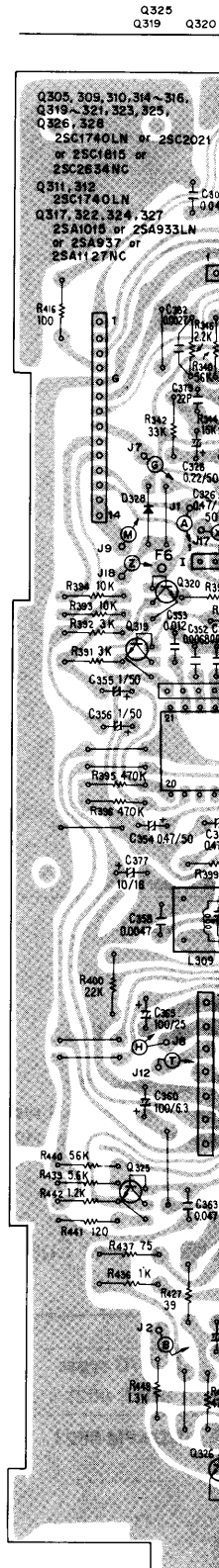
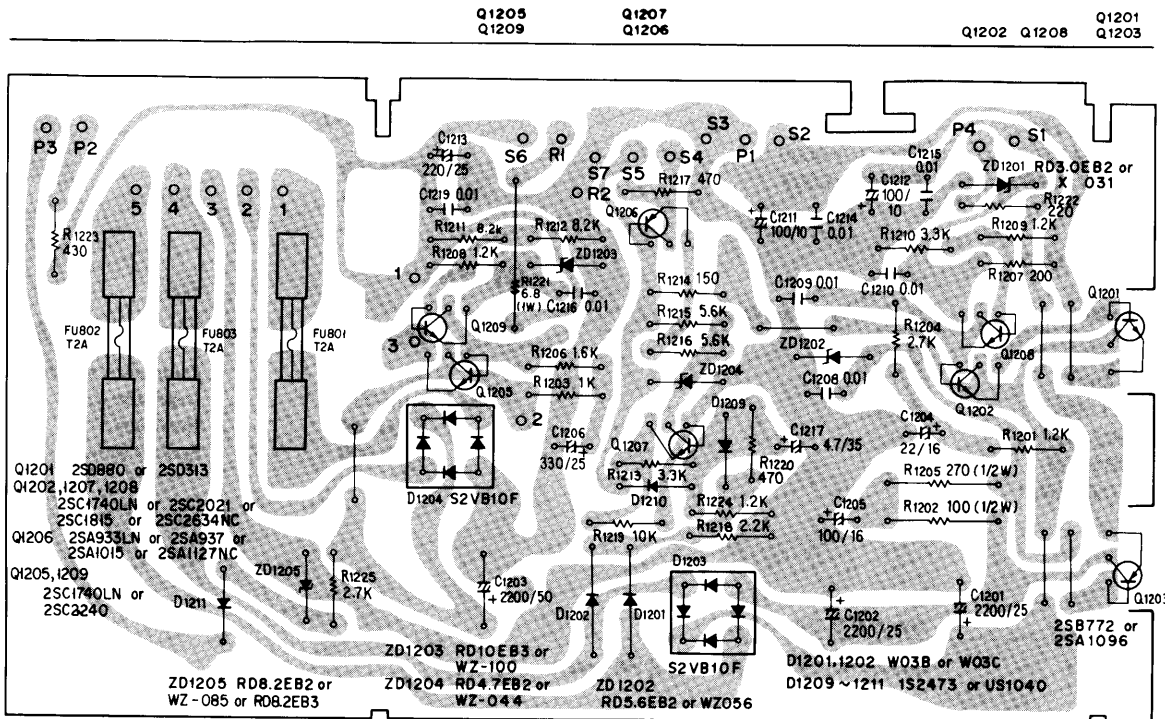
D

### HEADPHONES AMPLIFIER Ass'y RWF-104

### MOTHER Ass'y RWX-578

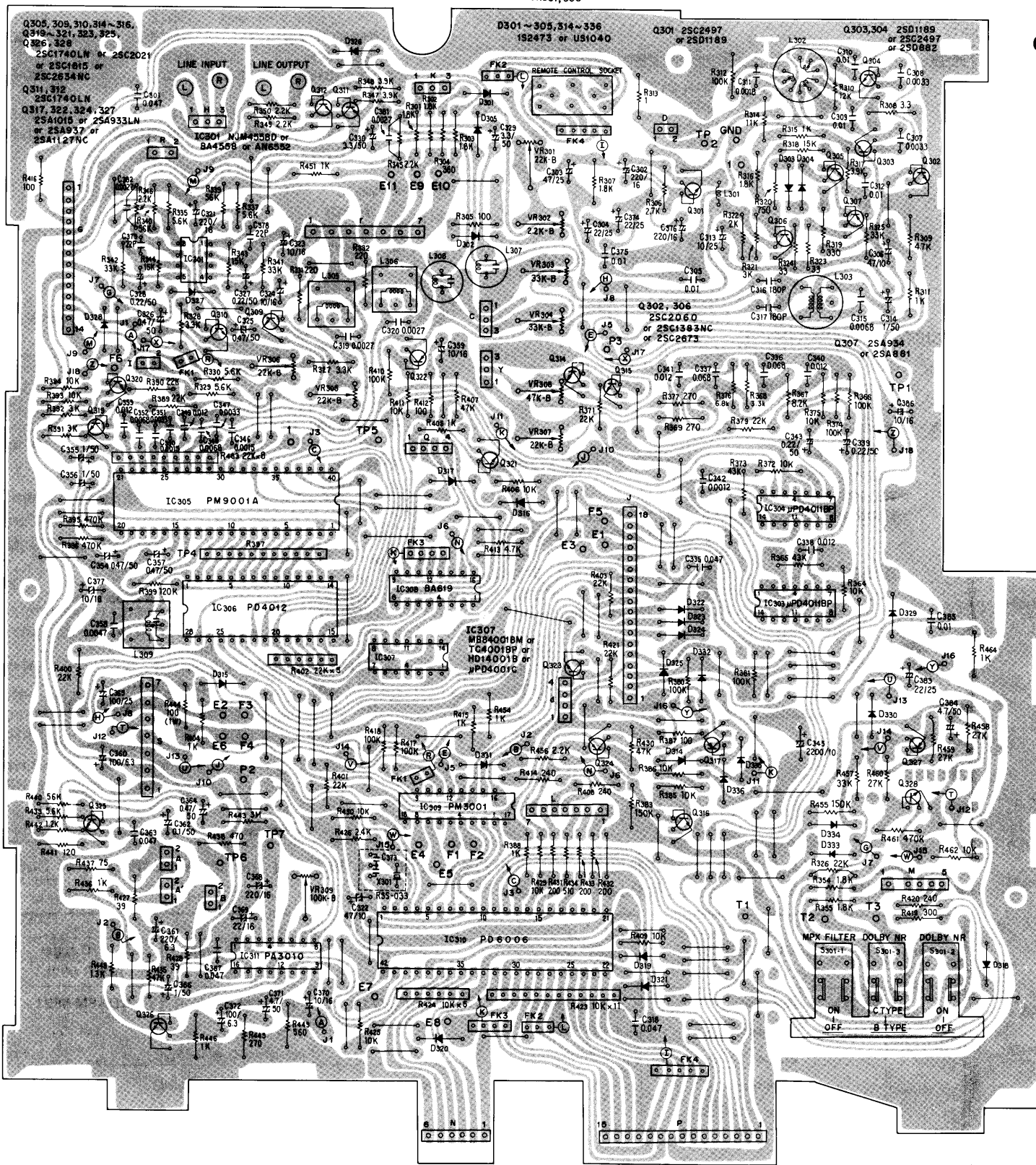


### POWER SUPPLY Ass'y RWR-089



# MOTHER Ass'y RWX-578

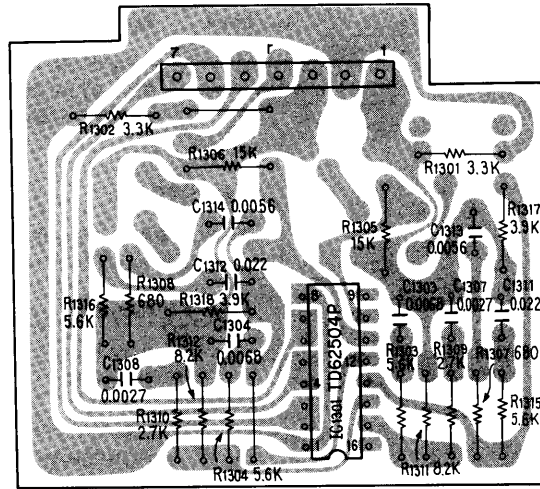
Q325	IC305	IC301	IC306	IC311	Q312	Q311	IC307	IC308	IC309	Q321	Q323	Q324	Q316	IC303,304	Q307	Q327	Q328		
Q319	Q320	Q326	Q310	Q309			Q322	IC310			Q314	Q315	Q301	Q317	Q306	Q305	Q304	Q303	Q302
	TP4		TP6	TP7			TP5						TP2					TP1	
			VR306	VR305		VR309													



CONNECT

### EQUALIZER Ass'y RWX-536

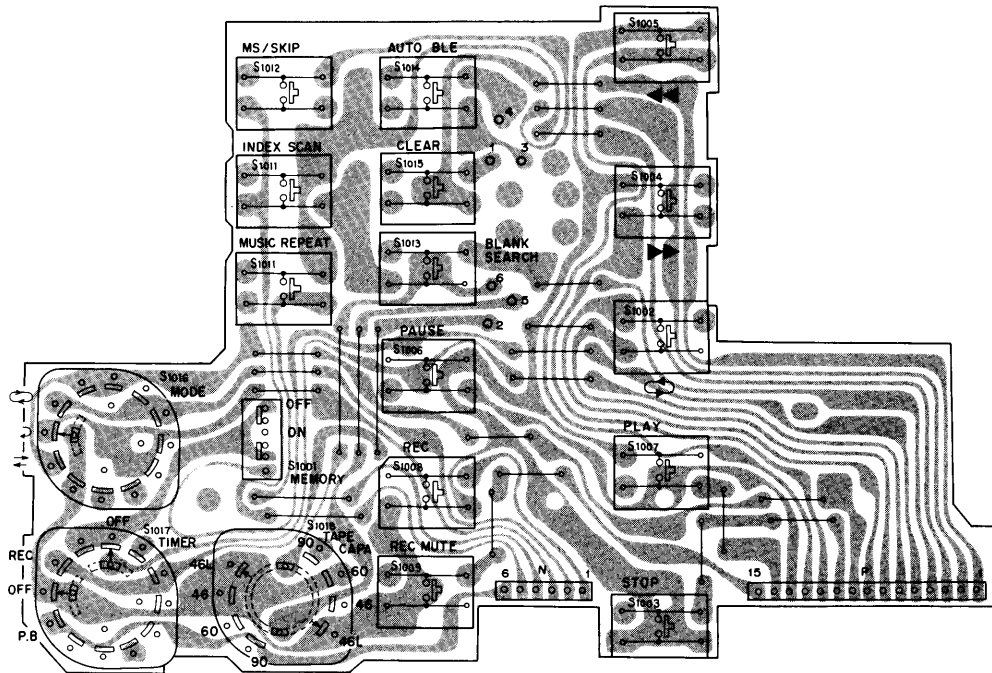
### CONNECTOR Ass'y



A

B

### FUNCTION SWITCH Ass'y RWS-151



C

D

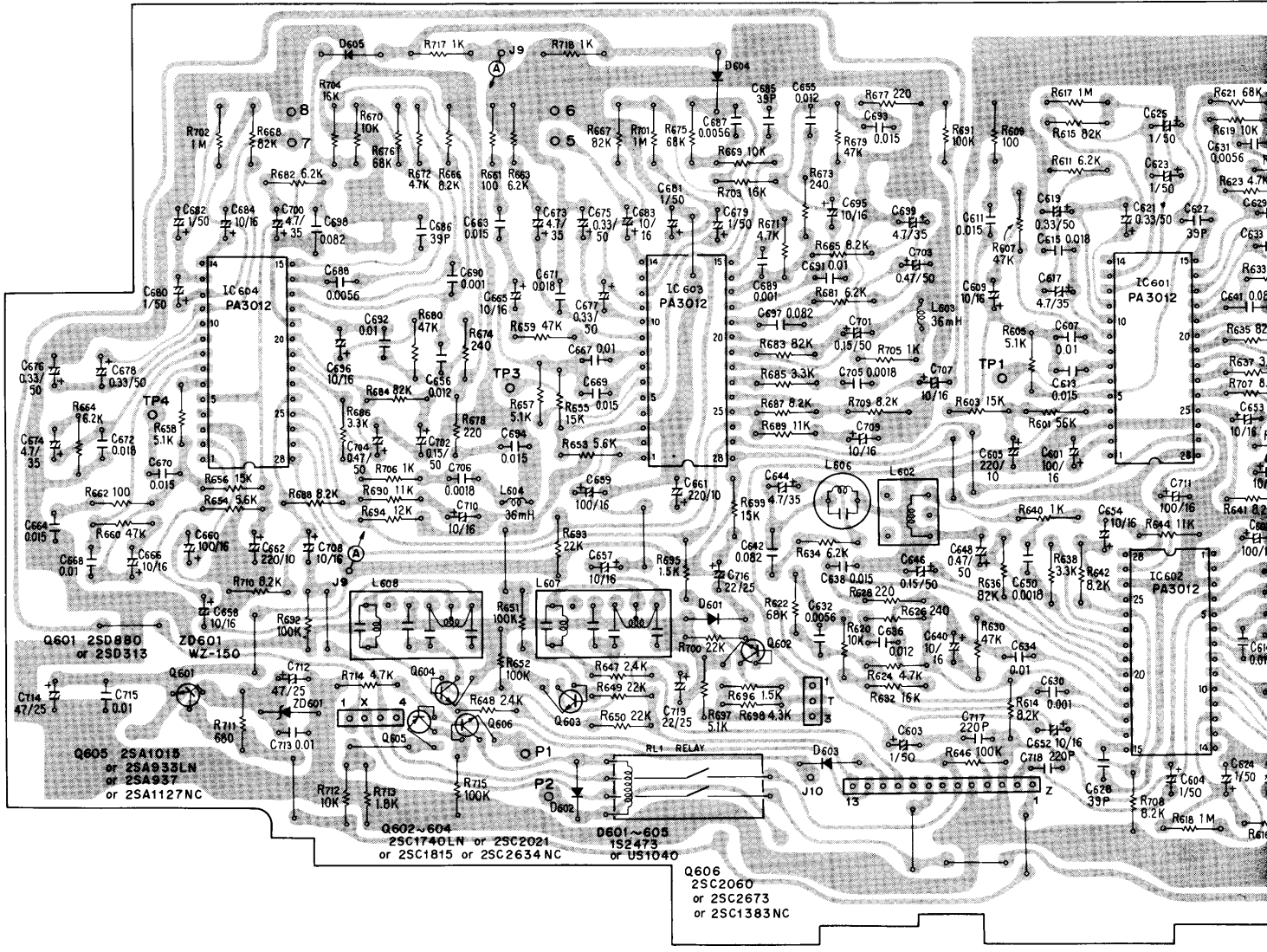
# DOLBY NR Ass'y RWX-579

A

Q601 IC604      Q605 Q604      Q606      Q603      IC603      Q602

IC601  
IC602

TP4      TP3      TP1



B

C

D

Q606  
2SC2060  
or 2SC2673  
or 2SC1383NC

Q602 ~ 604  
2SC1740LN or 2SC2021  
or 2SC1815 or 2SC2634 NC

D601 ~ 605  
1S2473  
or US1040

Q601 2SD880  
or 2SD313

Q605 2SA1015  
or 2SA933LN  
or 2SA937  
or 2SA1127NC

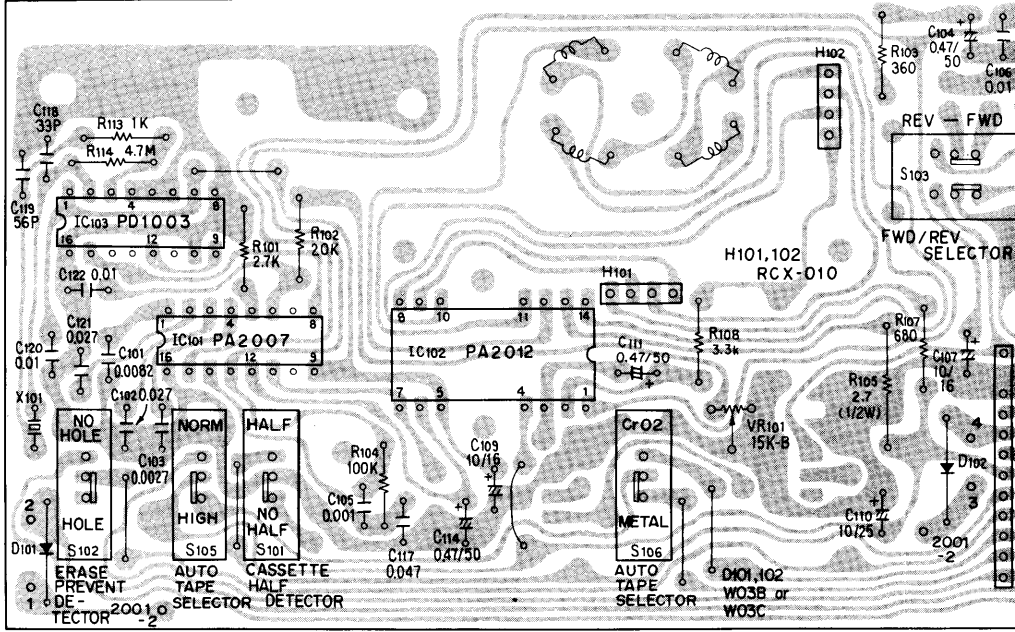
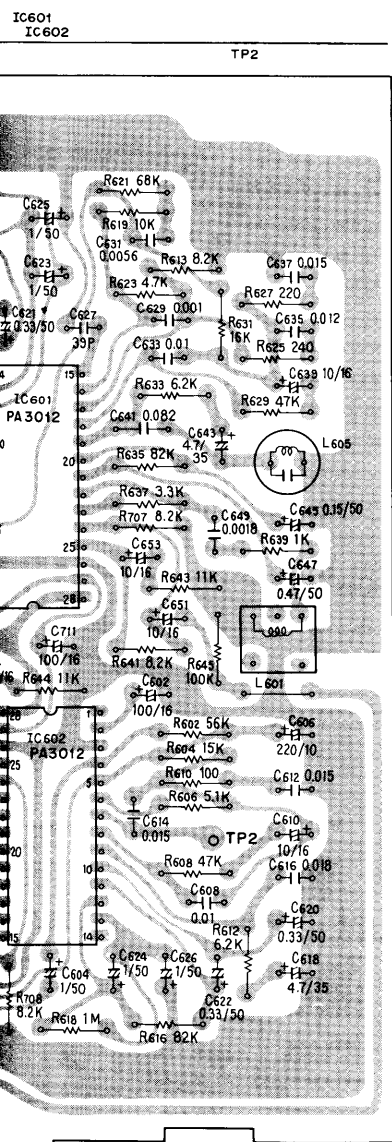
IC604  
PA3012

IC603  
PA3012

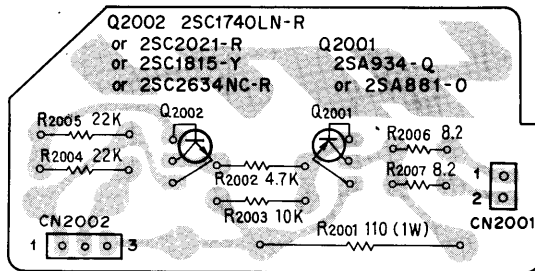
IC601  
PA3012

IC602  
PA3012

### CAPSTAN MOTOR CONTROL Ass'y E RWX-584

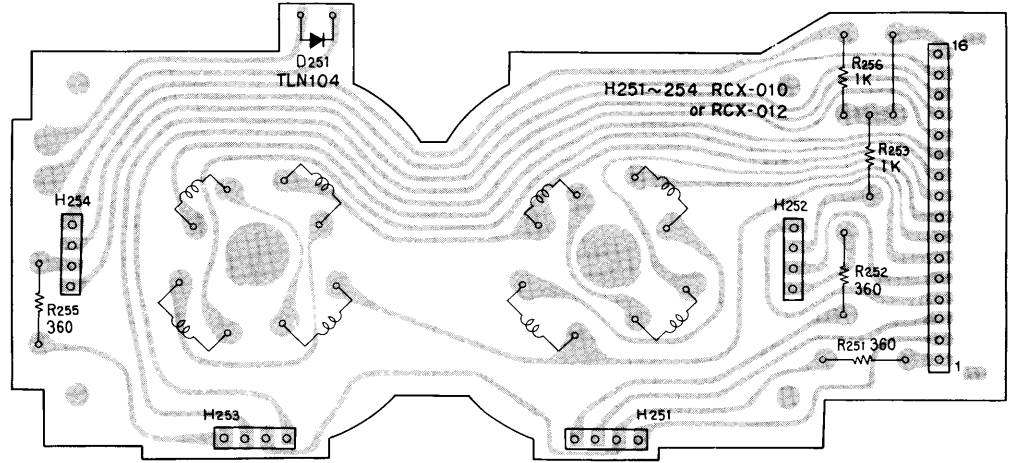
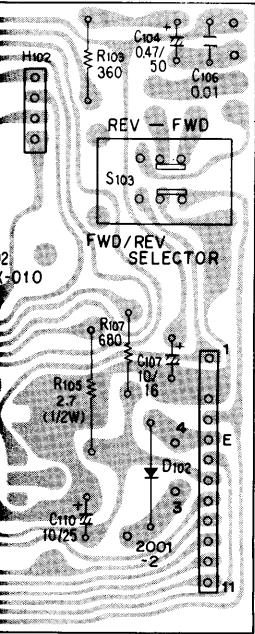


### VOLTAGE CHANGE Ass'y RWX-603

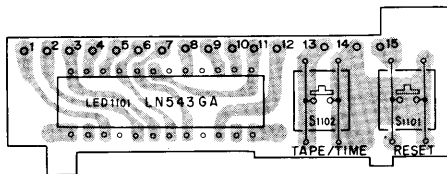




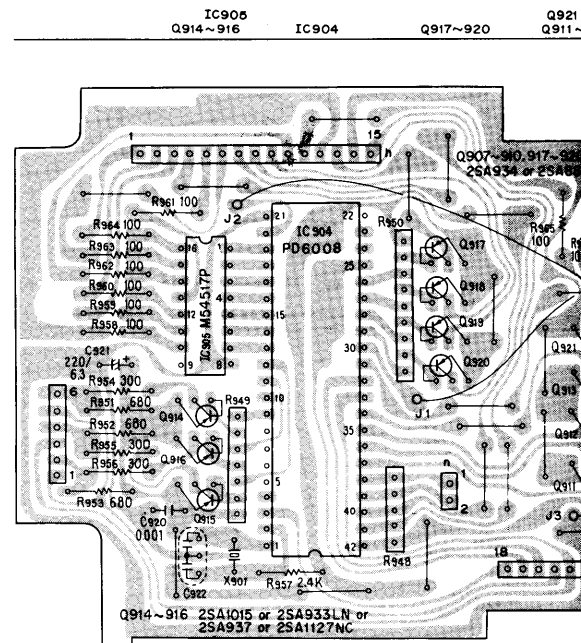
### REEL MOTOR Ass'y C RXX-359



### COUNTER Ass'y RWX-533

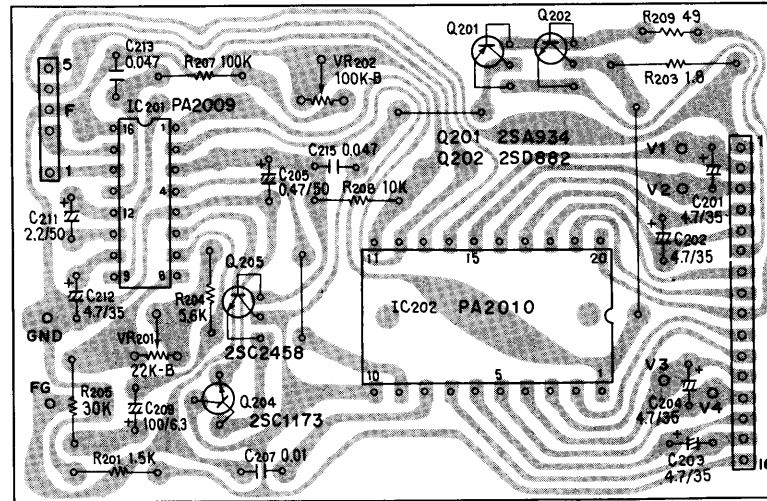
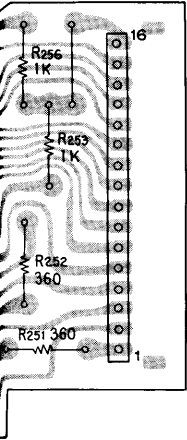


### METER DRIVE Ass'y RWX-532



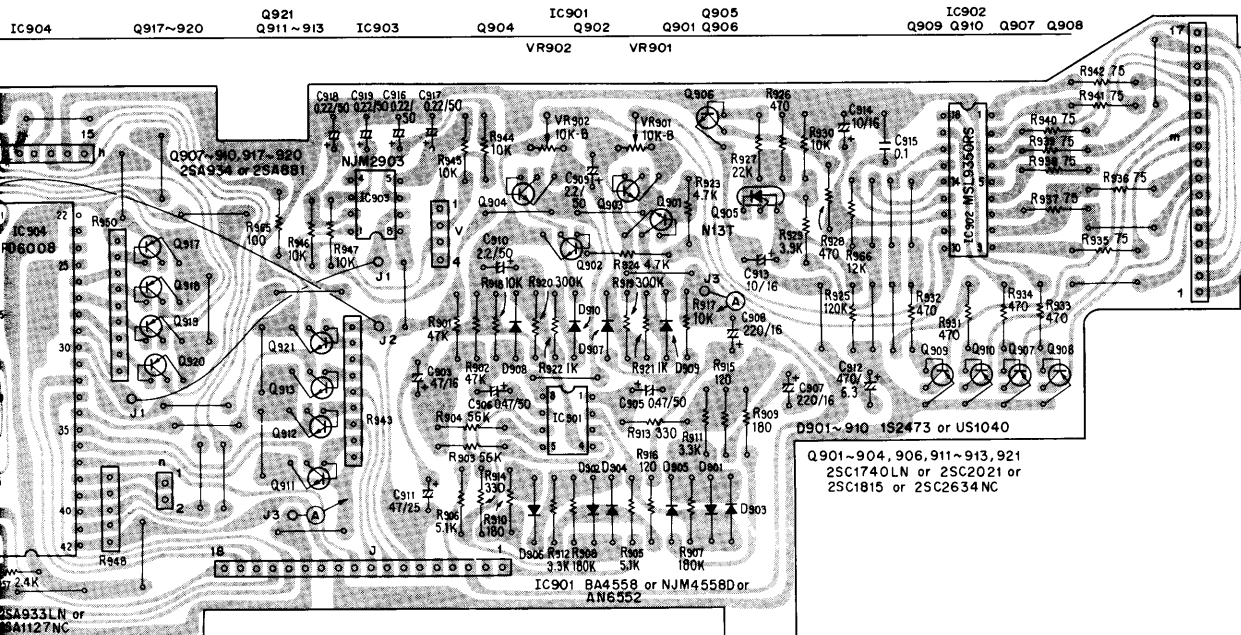
### REEL MOTOR CONTROL Ass'y C RWX-588

IC201	Q204	Q205	Q201	Q202
VR201	VR202			



A

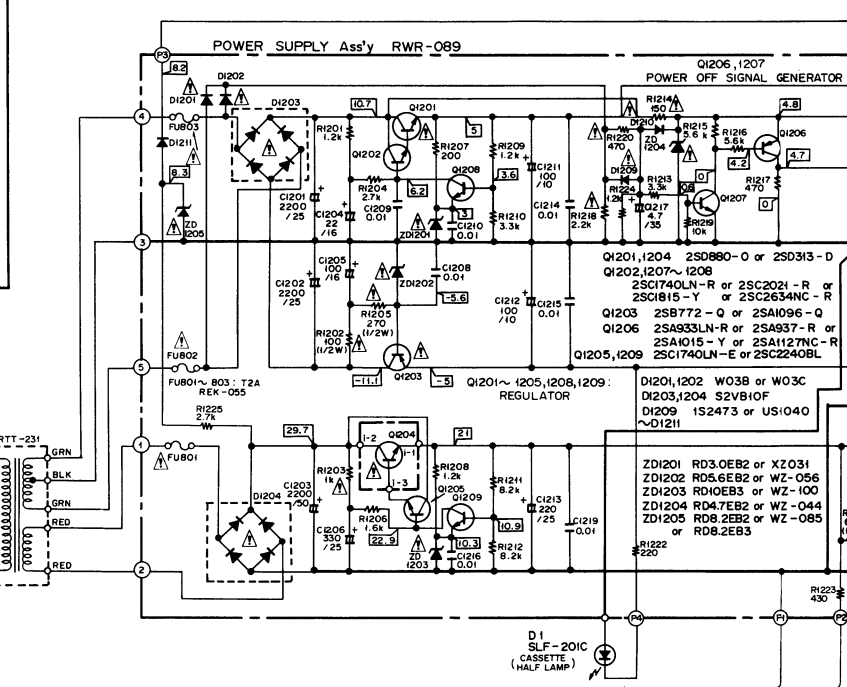
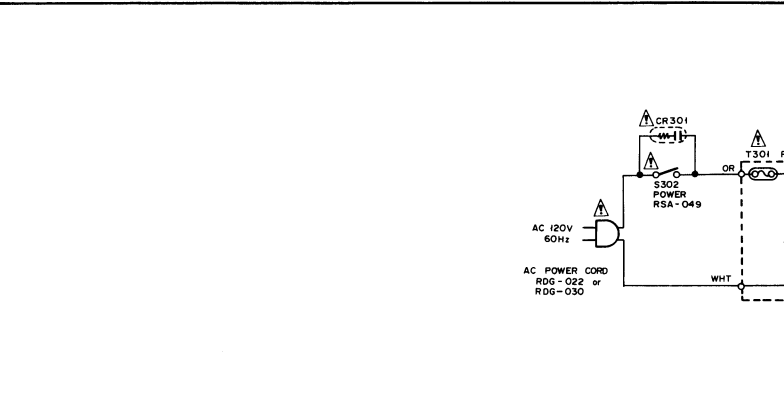
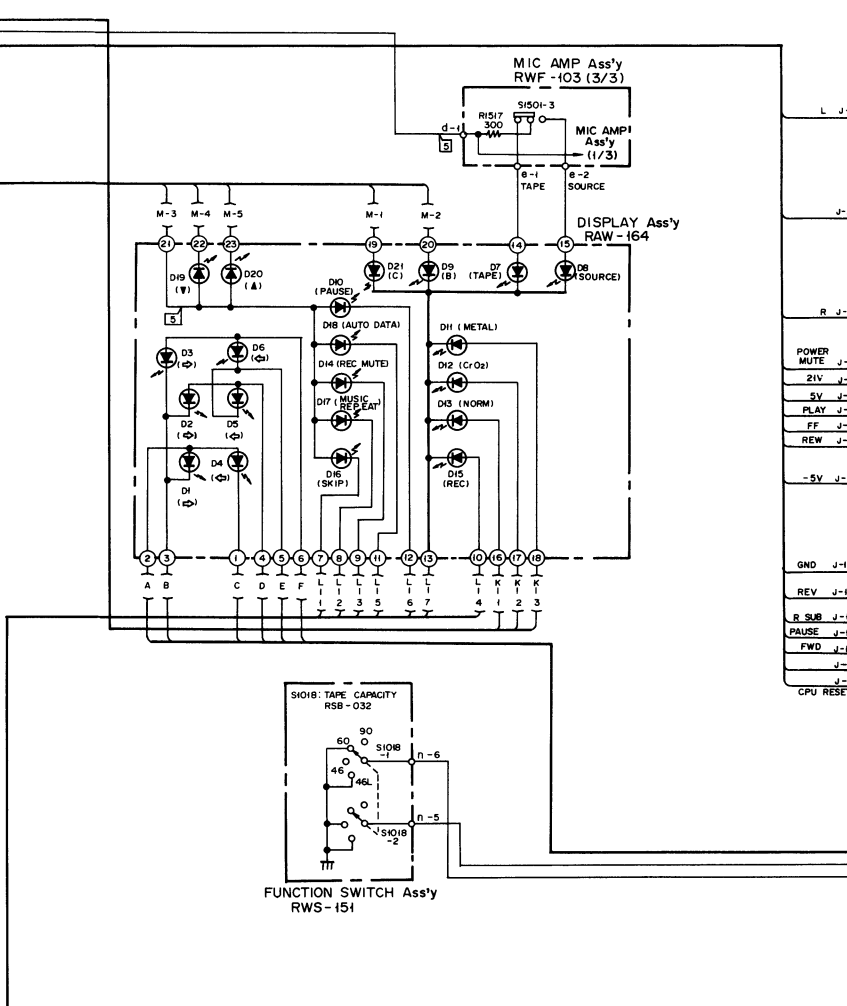
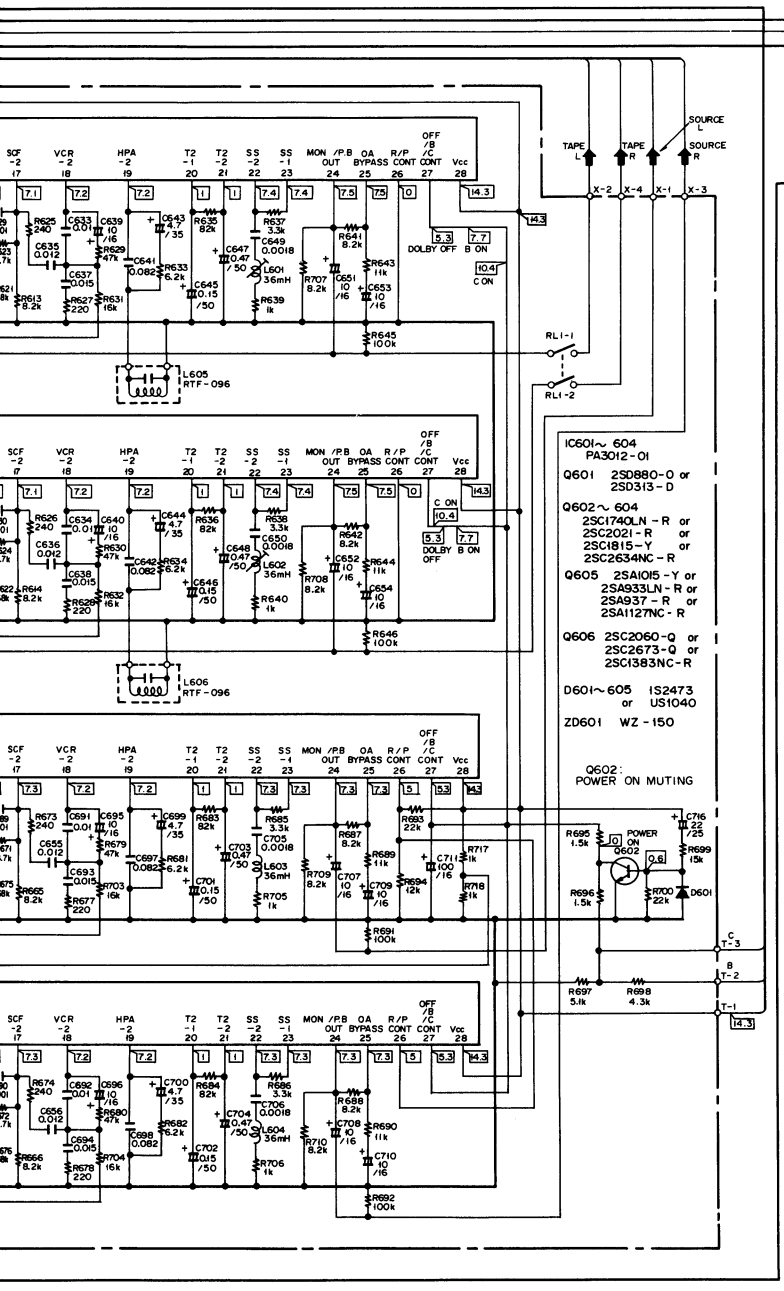
B



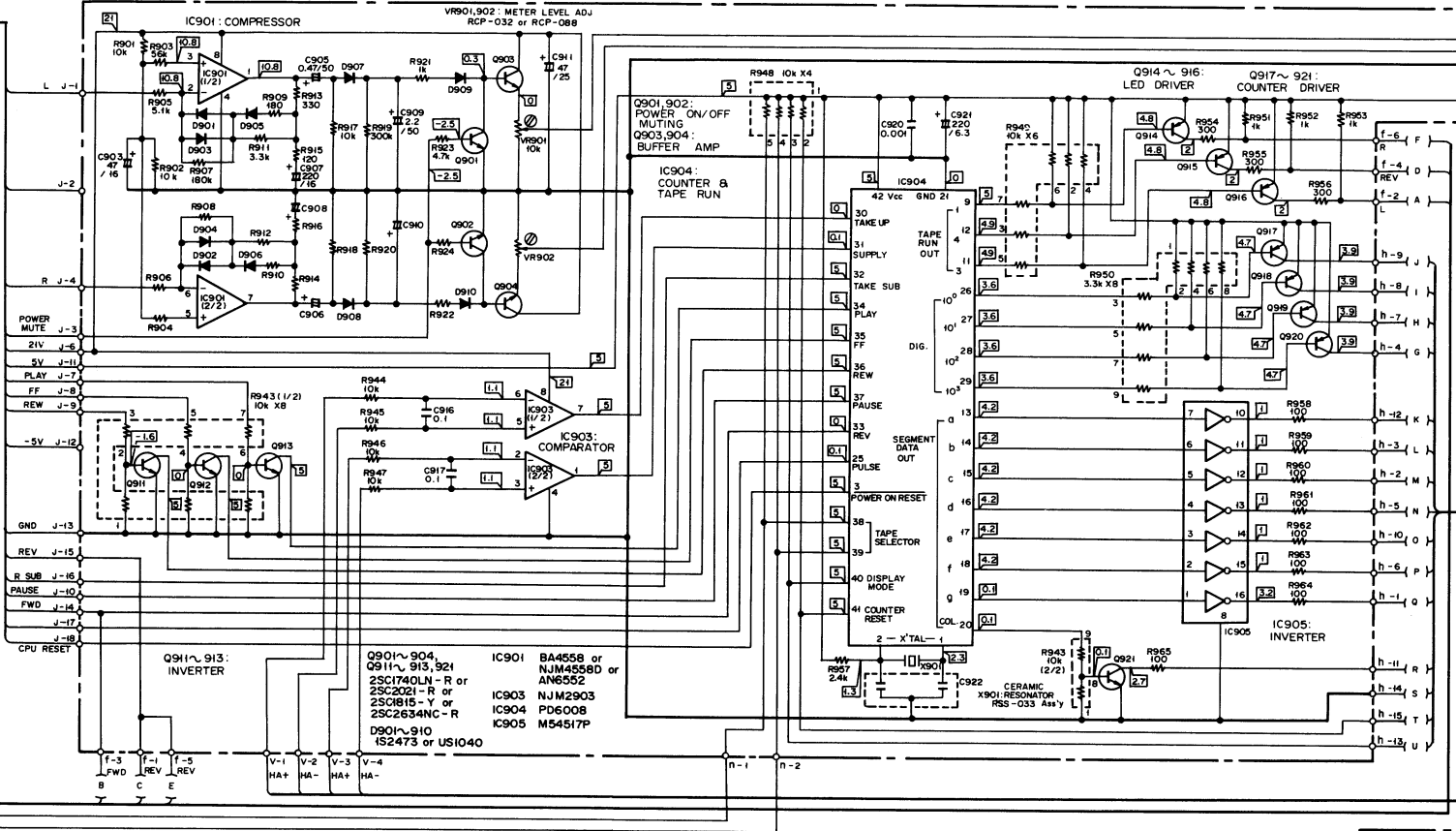
C

D

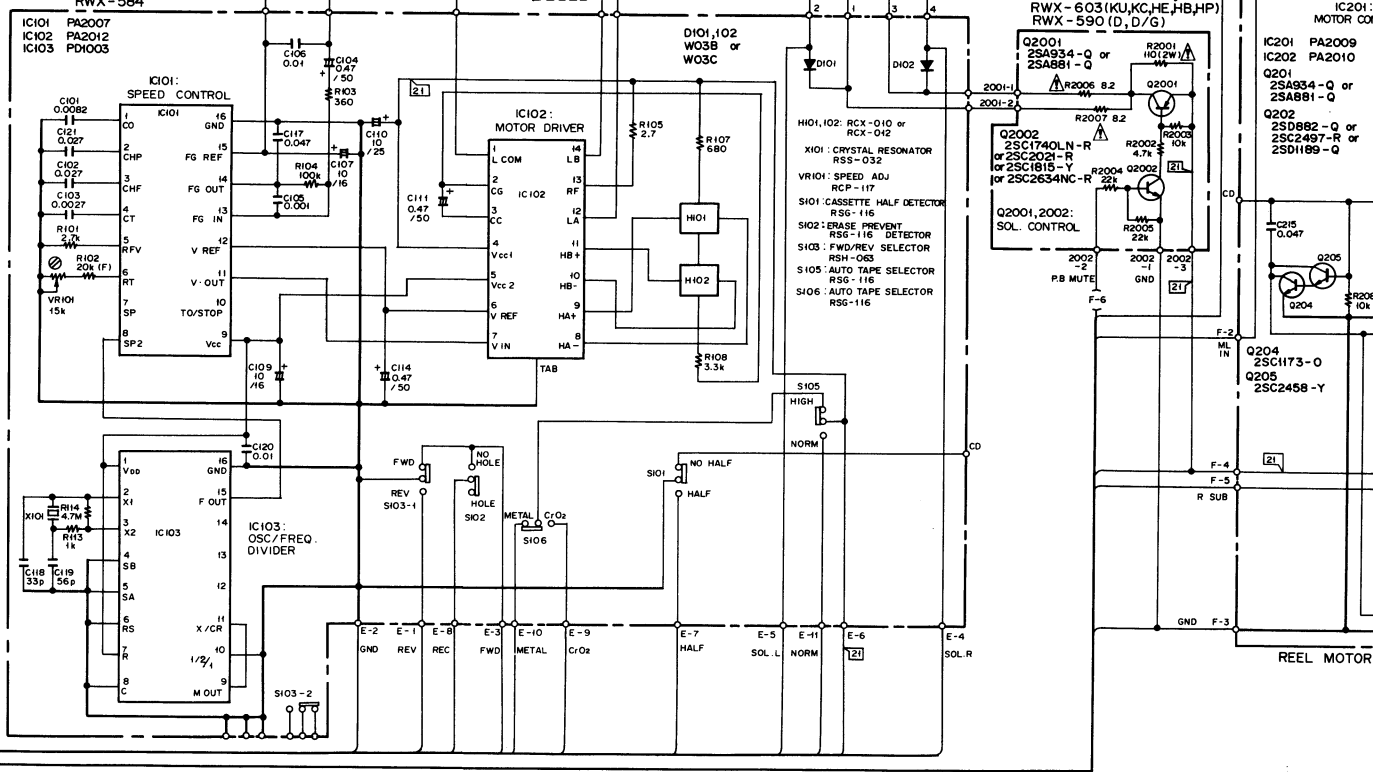


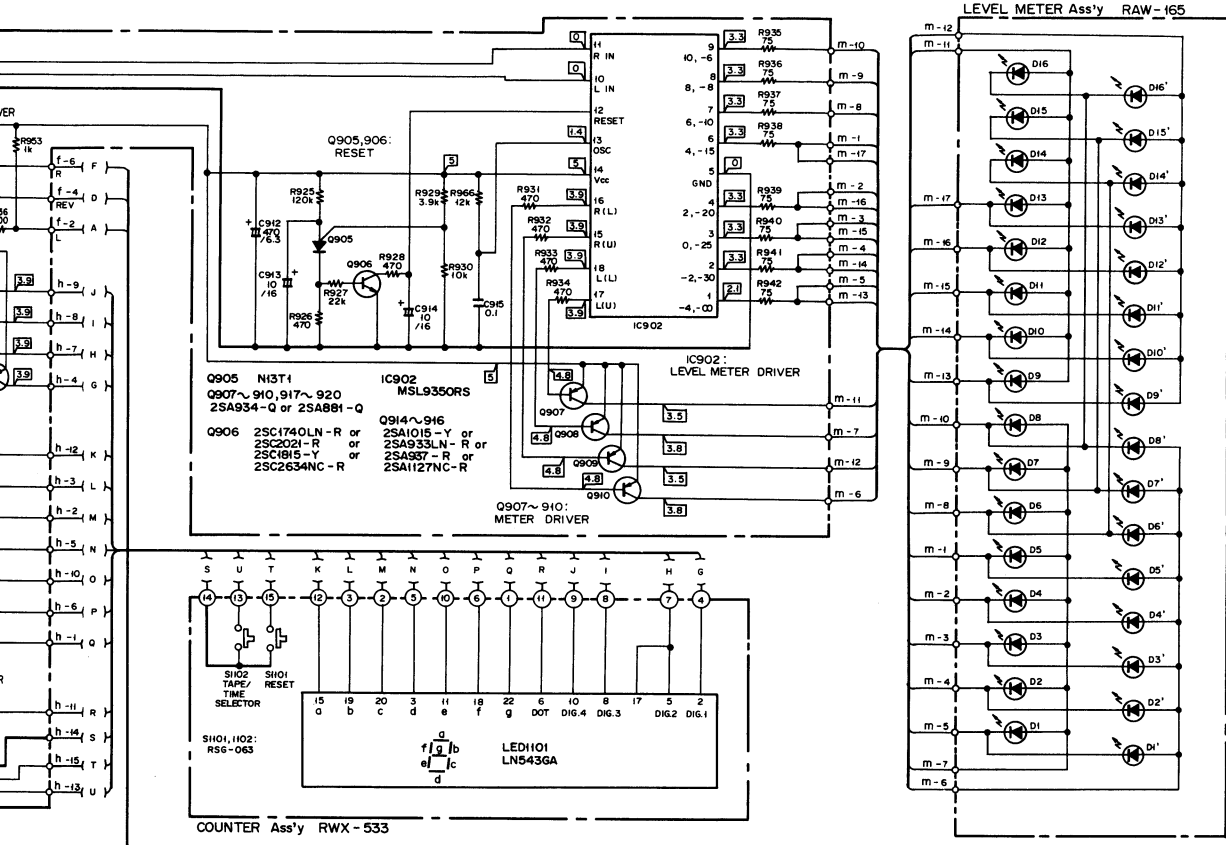


METER DRIVE Ass'y RWX-532



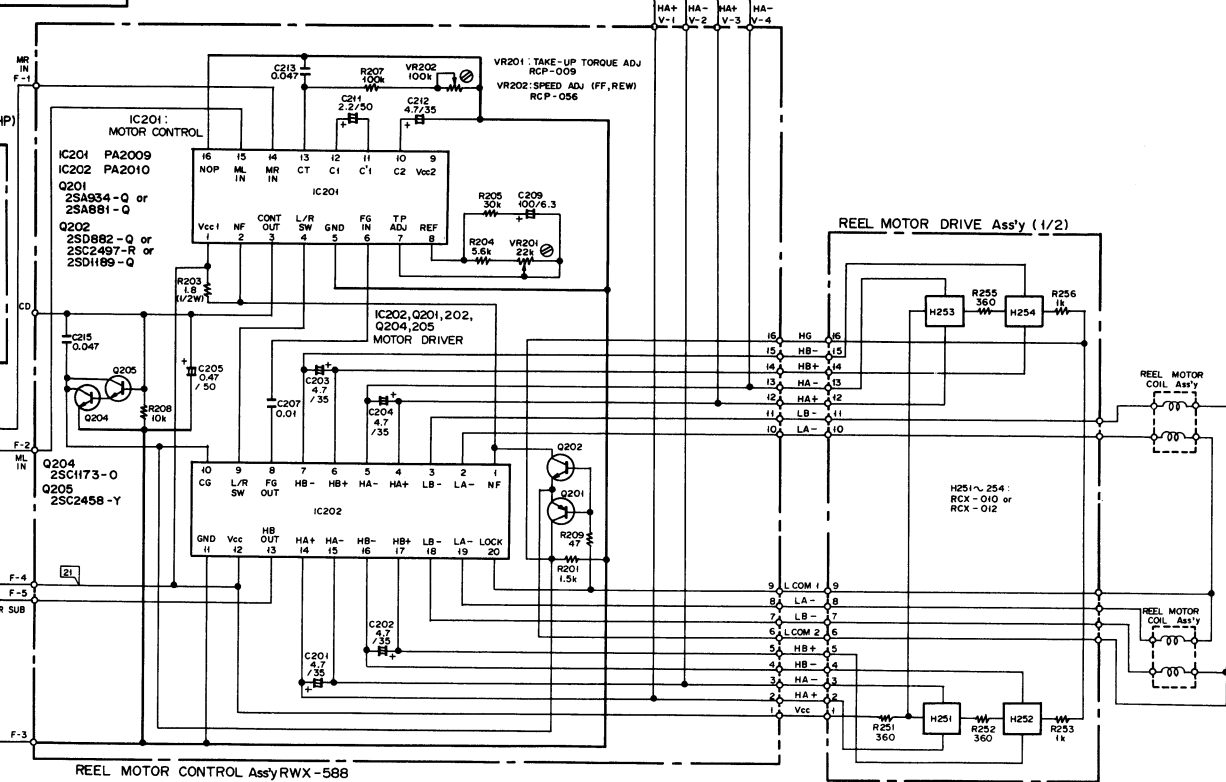
CAPSTAN CONTROL Ass'y RWX-584





A

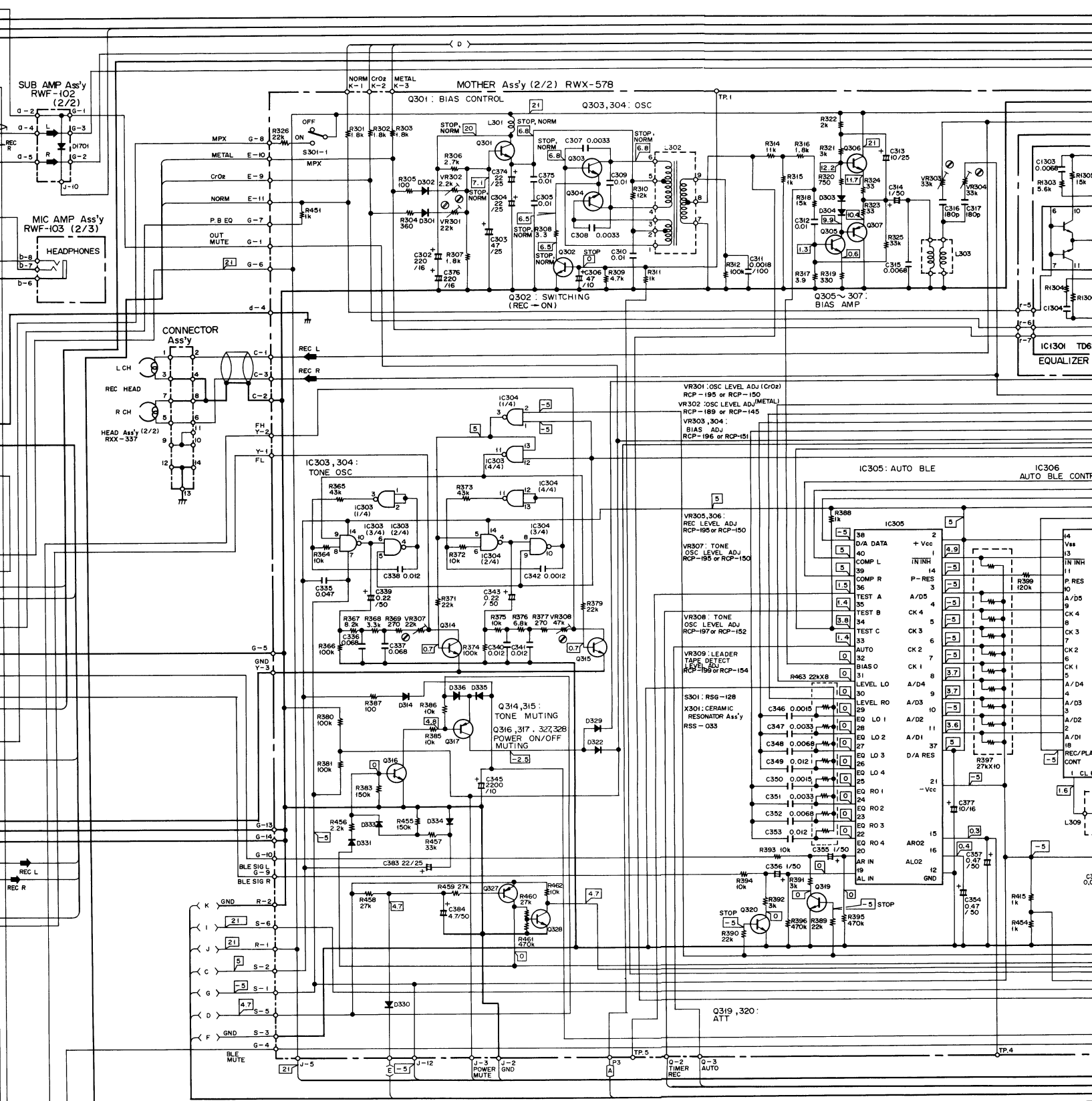
B



C

D





SWITCHES

- S301-1 : MPX FILTER
- S301-2 : DOLBY NR
- S301-3 : DOLBY NR
- S1001 : MEMORY

- ON - OFF
- ON - OFF
- B TYPE - C TYPE
- ON - OFF

- S1002 : DIRECTION
- S1003 : STOP
- S1004 : REW
- S1005 : FF
- S1006 : PAUSE

- ON - OFF
- ON - OFF
- ON - OFF
- ON - OFF
- ON - OFF

- S1007 : PLAY
- S1008 : REC
- S1009 : REC MUTE
- S1010 : MUSIC REPEAT
- S1011 : INDEX SCAN

- ON - OFF
- ON - OFF
- ON - OFF
- ON - OFF
- ON - OFF

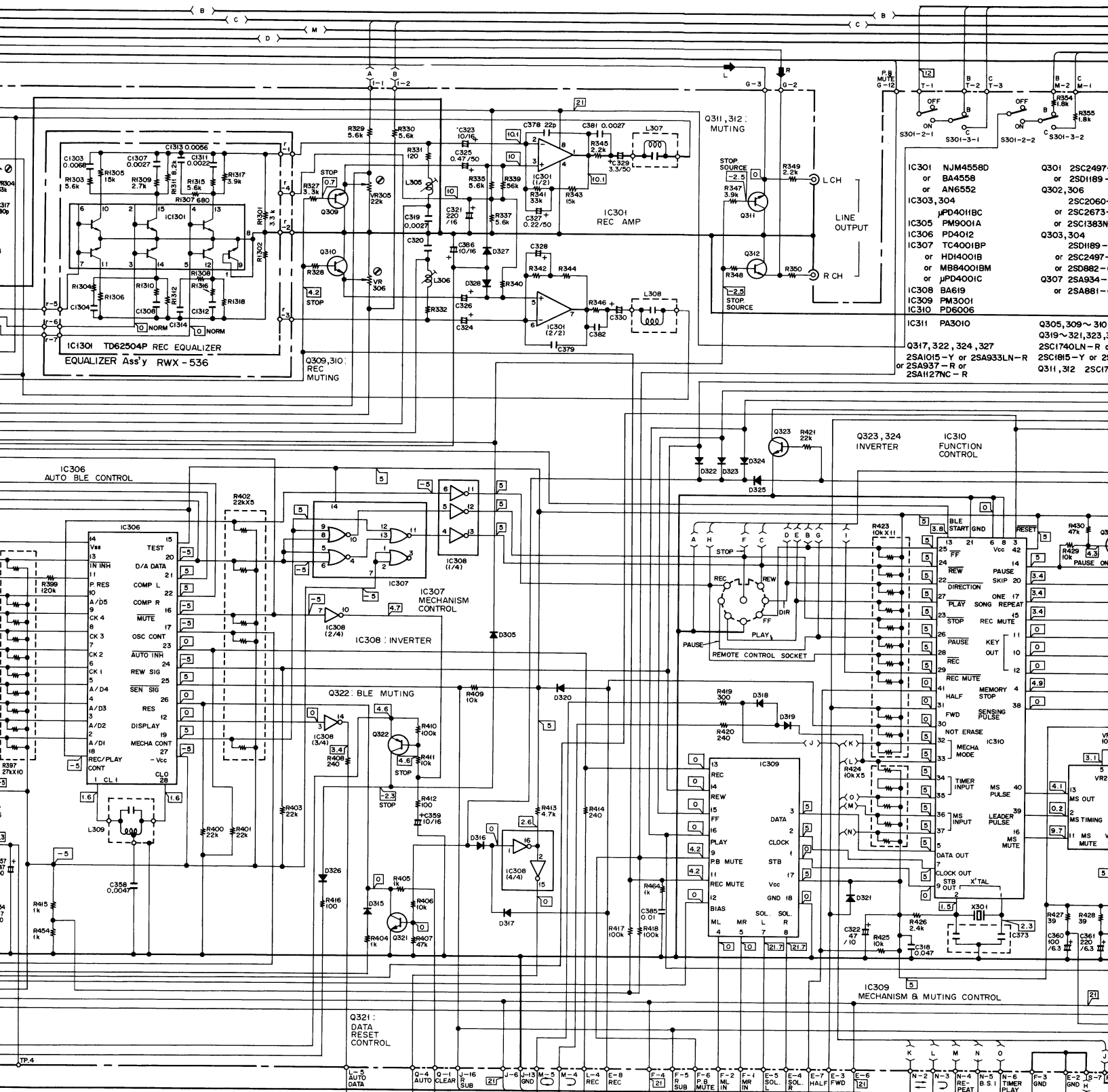
- S1012 : MS/SKIP
- S1013 : BLANK SEARCH
- S1014 : AUTO BLE
- S1015 : CLEAR
- S1016 : MODE

- ON - OFF
- ON - OFF
- ON - OFF
- ON - OFF

- S1017 : TIMER
- S1500 : INPUT SELECT
- S1501 : MONITOR

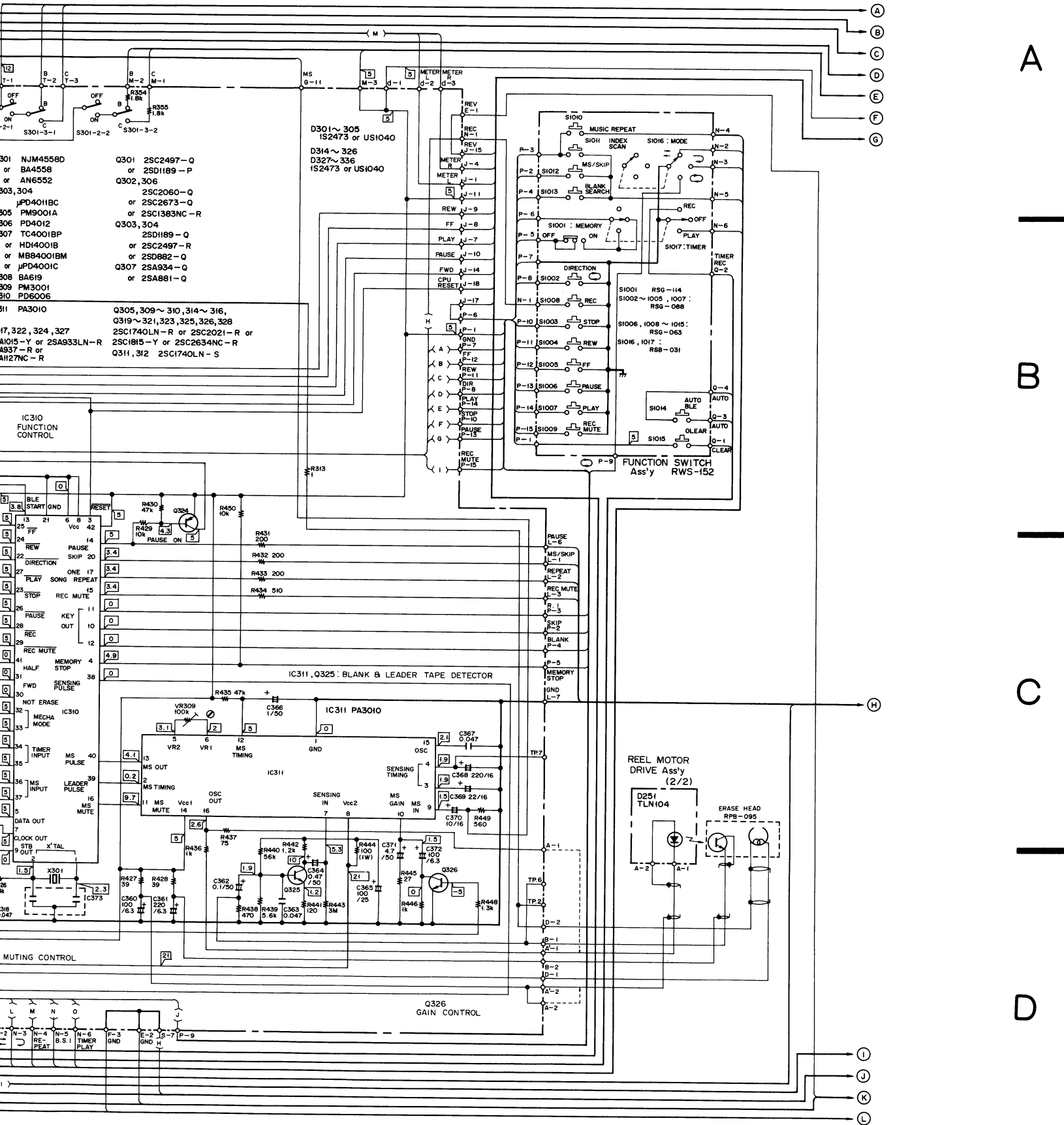
The underlined indicate





NOTE:

The indicated semiconductors are representative ones only. Other alternative semiconductors may be used and are listed in the parts list.



A

B

C

D





## 4. MECHANICAL ADJUSTMENTS

### 4.1 Pinch Roller Pressure Check

1. Put the tape deck into the playback mode (FORWARD and REVERSE).
2. Gently push against the pinch roller arm with the tension gauge (Part No. G GK-047) and read the value when the pinch roller stops rotating. If the reading fails to lie within 250 ~ 400g, replace the pinch roller pressure spring.

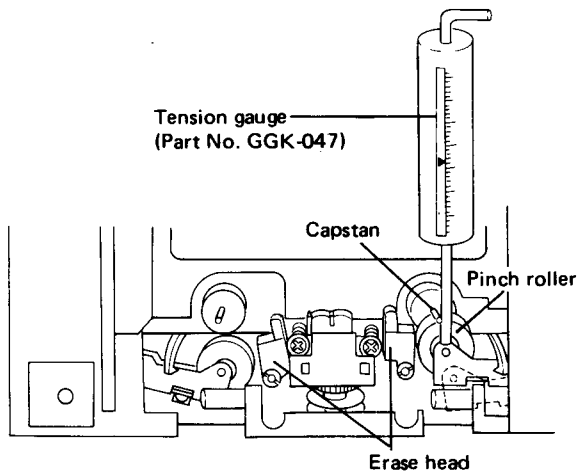


Fig. 4-1 Pinch roller pressure adjustment

### 4.2 Azimuth Preadjustment

1. Set the DIRECTION switch to FORWARD and then the mode to STOP.
2. Adjust the azimuth screw ① using a (-) screwdriver as shown in Fig. 4-2, 3 so that the distance (A) between housing and rotating base is 1.5 mm.
3. Set the DIRECTION switch to REVERSE.
4. Adjust the azimuth screw ② using a (-) screwdriver as shown in Fig. 4-2, 3 so that the distance (B) between housing and rotating base is 1.5 mm.

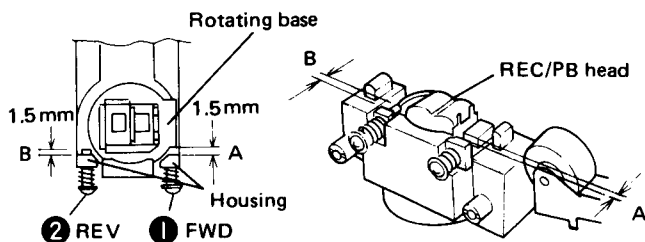


Fig. 4-2 Azimuth adjustment point

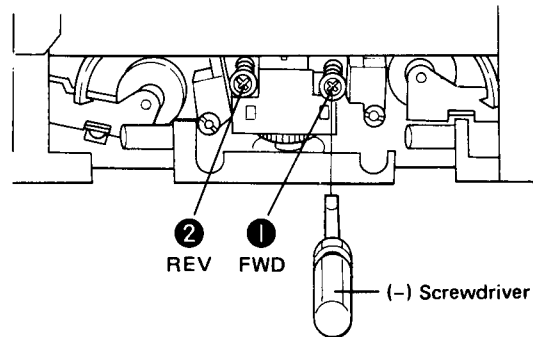


Fig. 4-3 Azimuth preadjustment

### 4.3 Tape Transport Adjustment

1. Load a mirror-equipped cassette half.
2. Set the DIRECTION switch to FORWARD and then the mode to PLAY.
3. Adjust the adjust nut ① so that no curling takes place on REC/PB head guide and erase head guide as shown in Fig. 4-4.
4. Set the DIRECTION switch to REVERSE.
5. Adjust the adjust nut ② so that no curling occurs on REC/PB head guide and dummy head guide.
6. Play a tape in both FORWARD and REVERSE directions and check that no curling on tape is found.

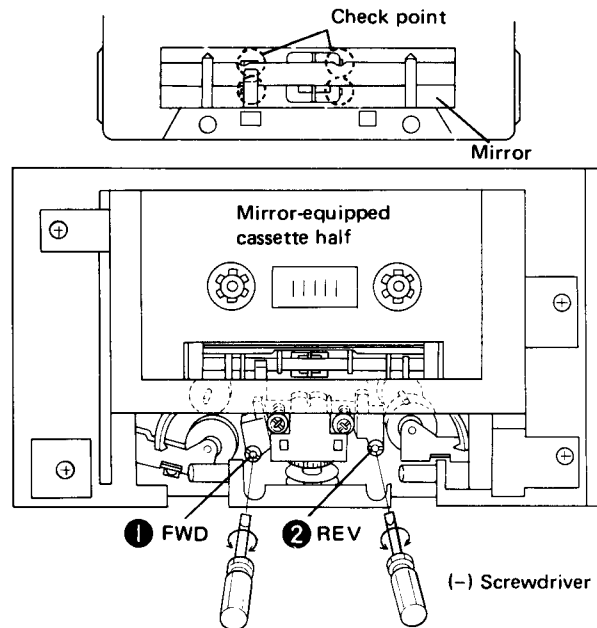


Fig. 4-4 Tape transport adjustment

#### 4.4 FF/REW Rotating Speed Adjustment

1. Connect the frequency counter between FG of reel motor control assembly and GND (Fig. 4-5).
2. Set the DIRECTION switch to FORWARD and then the mode to FF.
3. Adjust VR202 so that the frequency counter indicates  $72 \text{ Hz} \pm 2 \text{ Hz}$ .
4. Set the mode to REW and at this time check that a reading of frequency counter is within  $72 \text{ Hz} \pm 5 \text{ Hz}$ .

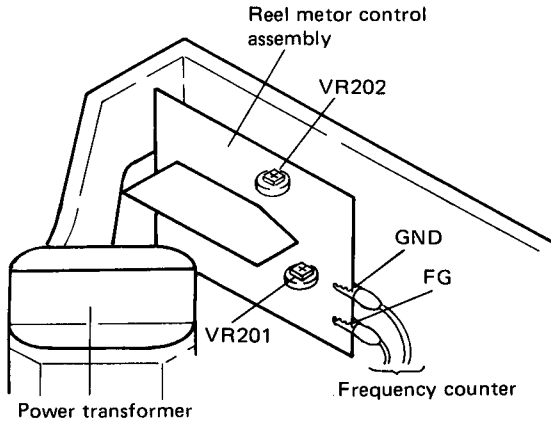


Fig. 4-5 FF/REW Rotating speed adjustment

#### 4.5 TAKE-UP Torque Adjustment

1. Mount a cassette type torque meter.
2. Set the DIRECTION switch to FORWARD and then the mode to PLAY.
3. Adjust VR201 so that the take-up torque is  $45 \pm 5 \text{ g-cm}$  (Fig. 4-5).
4. Set the DIRECTION switch to REVERSE.
5. Check that the take-up torque is within  $35 \sim 55 \text{ g-cm}$  (Fig. 4-6).

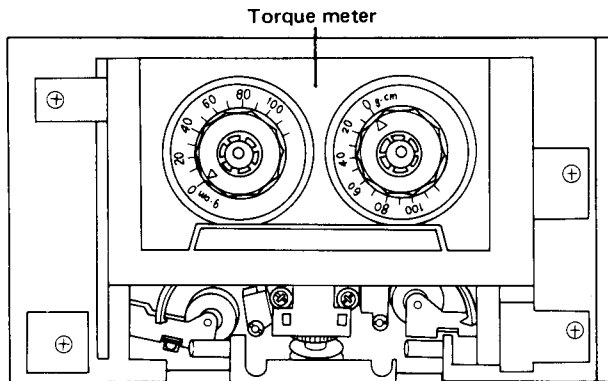


Fig. 4-6 Take-up torque adjustment

#### 4.6 Tape Speed Check

1. Connect the frequency counter to the OUTPUT terminal (L or R).
2. Load the STD-301 test tape and set it at the beginning of REW.
3. Set the DIRECTION switch to FORWARD and then the mode to PLAY.
4. Set the DIRECTION switch to REVERSE and a reading of frequency counter is within  $3000 \pm 30 \text{ Hz}$  at the beginning of tape rewinding.

#### 4.7 Fast Torque Check

1. Mount a cassette type torque meter.
2. Set the DIRECTION switch to FORWARD and then the mode to FF.
3. Check that the FAST torque is within  $100 \pm 30 \text{ g-cm}$  in the condition described in above 2.
4. Set the mode to REW and at this time check that the FAST torque is within  $100 \pm 30 \text{ g-cm}$ .

#### 4.8 Reel Base Back Tension Torque

1. Mount a cassette type torque meter.
2. Set the DIRECTION switch to FORWARD and then the mode to PLAY.
3. At this time, check that the back tension on a supply reel side (left reel base) is within  $3.5 \pm 1.5 \text{ g-cm}$ .
4. Set the DIRECTION switch to REVERSE.
5. At this time, check that the back tension on the supply reel side (right reel base) is within  $3.5 \pm 1.5 \text{ g-cm}$ .

# 5. ELECTRICAL ADJUSTMENT

## Precaution

1. Mechanical adjustment should be completed.
2. Clean the following parts with an alcohol moistened swab; Record/Playback head, Pinch roller, Erase head, Rubber belts and Capstan.
3. Demagnetize record/playback head with a head demagnetizer.
4. Do not use magnetized screwdriver for adjustments.
5. Adjustment and measurements should be performed for both L-ch and R-ch with rated power supply voltage.
6. Adjustments should be performed in the order given in this service manual. Altering the order can hinder proper adjustments, resulting in loss of performance.
7. Level during measurements are based on  $0\text{dBv}=1\text{V}$ . Connect a  $50\text{k}\Omega$  dummy resistor across the OUTPUT terminals.
8. Let the CT-9R warm up (aging) for a few minutes before proceeding with the adjustment.
9. Set the DOLBY NR switch OFF and MONITOR switch TAPE unless directed otherwise.

## Test Equipment/Tools Required;

1. Test tape
  - STD-331A . . . . . for general playback purpose
  - STD-341A . . . . . for playback adjustment
  - STD-608A . . . . . NORMAL blank tape
  - STD-603 . . . . . CrO<sub>2</sub> blank tape
  - STD-604 . . . . . METAL blank tape
2. Audio oscillator
3. AC millivoltmeter (AC mV)
4. Attenuator
5. Oscilloscope
6. Resistor  $50\text{k}\Omega$  (1/4W)

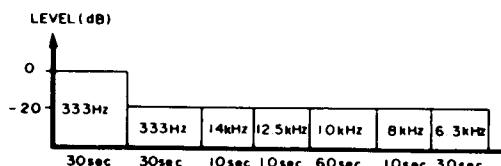


Fig. 5-1 Contents of test tape STD-331A

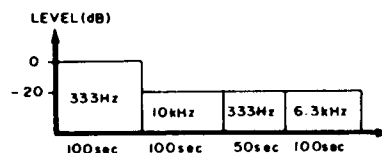


Fig. 5-2 Contents of the test tape STD-341A

## 5.1 Head Azimuth Adjustment

### Setting:

Mode . . . . . Playback (FWD and REV)  
 Test tape . . . . . STD-341A, 10kHz portion  
 AC mV meter . . . . . OUTPUT terminals  
 OUTPUT level control . Max.

### Procedure:

Play back the test tape in both FWD and REV directions. Adjust the head azimuth screw to the position of maximum output level.

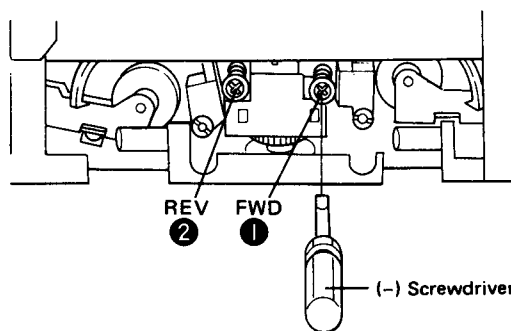


Fig. 5-3 Azimuth adjustment points

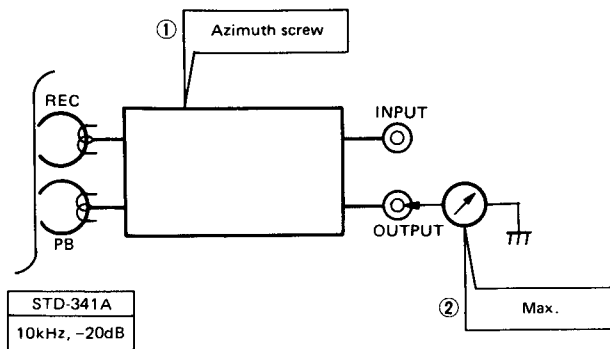


Fig. 5-4 Head azimuth adjustment

### 5.2 Playback Equalizer Adjustment

**Setting:**

Mode . . . . . Playback (FWD and REV)  
 Test tape . . . . . STD-331A, 333Hz and 10kHz portions  
 AC mV meter . . . . . OUTPUT terminals  
 VR1703, VR1704 . . . . . Max.  
 VR1701, VR1702 . . . . . Center position

**Procedure:**

1. Set the CT-9R to FWD direction and play back 333Hz and 10kHz portions of the test tape.
2. Adjust the VR1701 (Lch) and VR1702 (Rch) so that the 10kHz playback level reads 2dB higher than that of 333Hz.
3. Set to the REV direction and play back the 10kHz portion, then confirm that the playback output deviation is within +2dB±1dB of the 333Hz portion.
4. Set to the FWD direction and play back the 14kHz portion, then the difference from the 333Hz portion should lie within the -1 to +4dB range.
5. Set to the REV direction and repeat step 4.

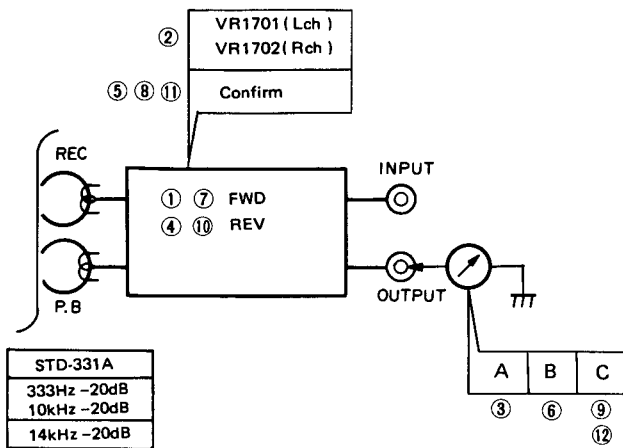


Fig. 5-5 Playback equalizer adjustment

### 5.3 Playback Level Adjustment

Since this adjustment determines the DOLBY NR level during playback, it should be performed precisely.

**Setting:**

Mode . . . . . Playback (FWD and REV)  
 Test tape . . . . . STD-341A, 333Hz 0dB portion  
 AC mV meter . . . . . TP1 (Lch) and TP2 (Rch) for the DOLBY NR assembly

**Procedure:**

1. Set the CT-9R the FWD direction, then adjust the VR1703 (Lch) and VR1704 (Rch) of the Sub amplifier assembly so that the AC mV meter reads -3.7dBv (653mV).
2. Next set to the REV direction and confirm that the AC mV meter reads -3.7dBv±0.5dB (691mV~616mV)

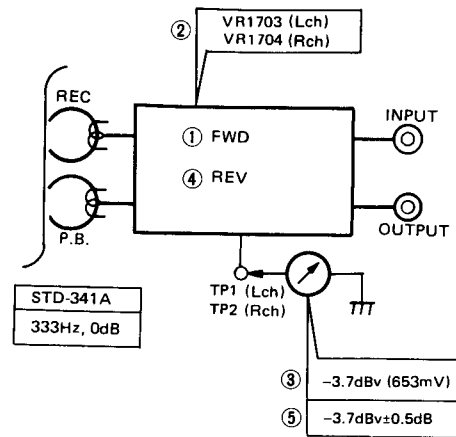


Fig. 5-6 Playback level adjustment



**5.4 Level Meter Check**

**Step 1.**

**Setting:**

- Mode ..... STOP
- MONITOR switch .... SOURCE
- Input Signal ..... 333Hz, -10dBv (316mV)  
(from INPUT)
- AC mV meter ..... TP3 (Lch) and TP4 (Rch)  
for the DOLBY NR assembly

**Procedure:**

Adjust the INPUT level control so that the level meter reads -7.7dBv (412mV).

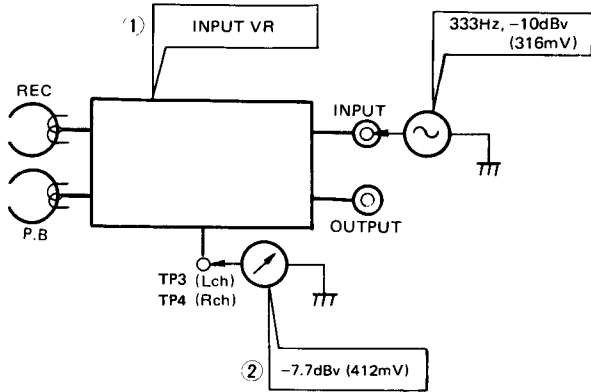


Fig. 5-7 Level meter check

**Step 2.**

**Setting:**

- Mode ..... STOP
- Input Signal ..... 333Hz, -10dBv (316mV)  
(from INPUT)

**Procedure:**

Adjust the VR901 (Lch) and VR902 (Rch) so that the level meter reads 0dB.

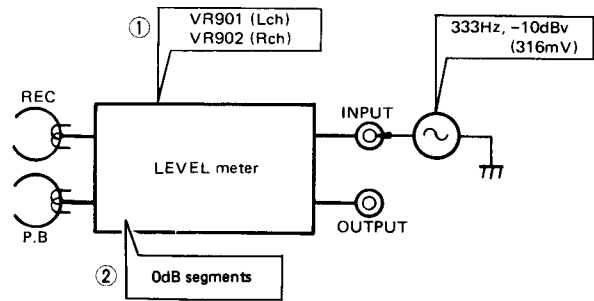


Fig. 5-8 Level meter check

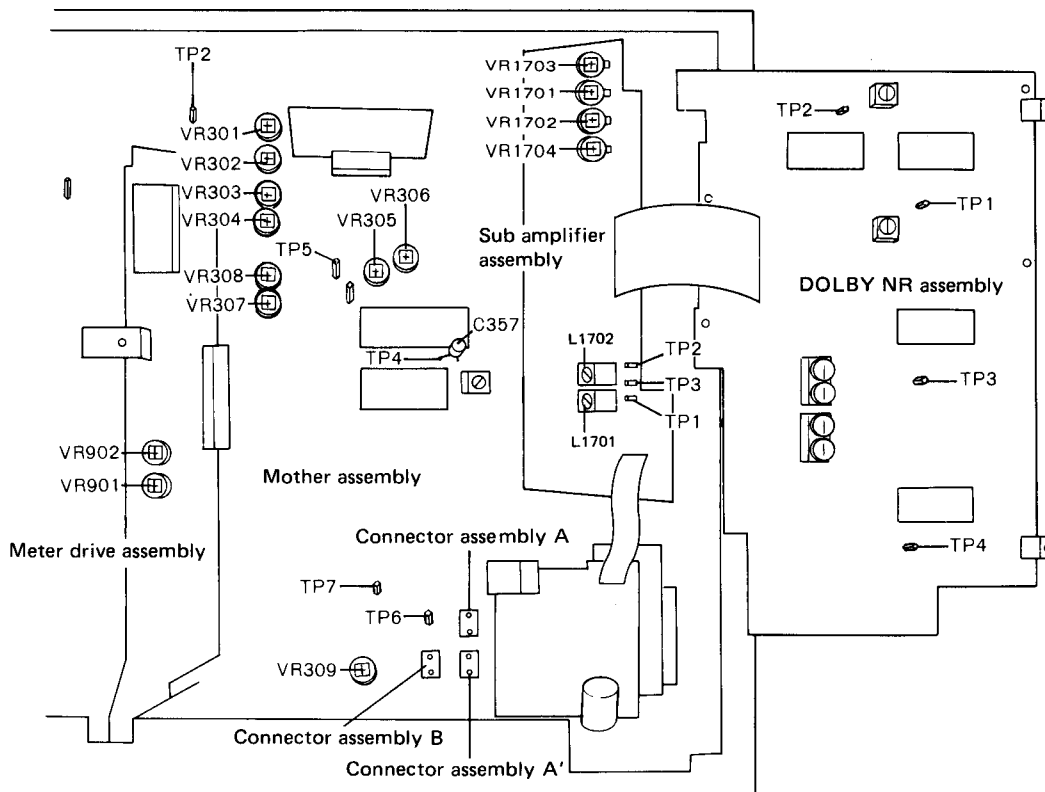


Fig. 5-9 Adjust point

### 5.5 Erasure Current Adjustment

**Setting:**

Mode ..... Record  
 Test tape ..... STD-604  
 INPUT level control ... Min.  
 AC mV meter ..... TP2 of the Mother assembly

**Procedure:**

Adjust the VR302 so that the AC mV meter reads 160mV.

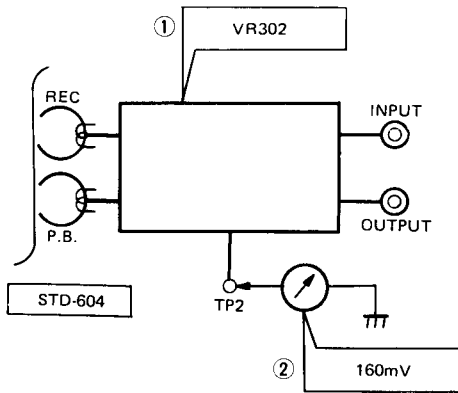


Fig. 5-10 Erasure current adjustment

### 5.6 Bias Trap Adjustment

**Setting:**

Mode ..... Record  
 MONITOR switch .... TAPE  
 OUTPUT level control . Max.  
 AC mV meter ..... OUTPUT terminals  
 Oscilloscope ..... OUTPUT terminals

**Procedure:**

Adjust the L1701 (Lch) and L1702 (Rch) so that the AC mV meter reads minimum level.

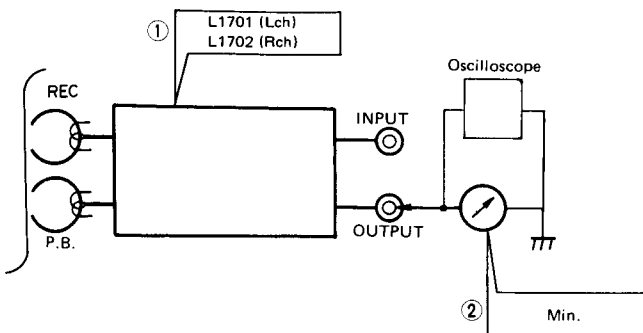


Fig. 5-11 Bias trap adjustment

### 5.7 Recording Bias Adjustment

**Setting:**

Mode ..... Record  
 MONITOR switch .... SOURCE  
 Input Signal ..... 6.3kHz, -20dBv (100mV)  
 OUTPUT level control . Max.  
 Test tape ..... STD-608A  
 AC mV meter ..... OUTPUT terminals  
 VR303, VR304 ..... Min.

**Procedure:**

1. Adjust the INPUT level control so that the AC mV meter reads -14dBv (199mV).
2. Set the MONITOR switch to the TAPE position.
3. Adjust the VR303 (Lch) and VR304 (Rch) so that the AC mV meter reads the maximum output level, and then bring back until the output level drops 2dB (Fig. 5-12).

As VR303 and VR304 interact with one another, carry out the above procedures by alternatively and repetitively adjusting VR303 and VR304.

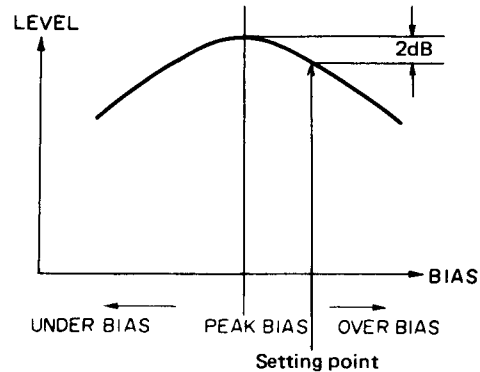


Fig. 5-12 Bias setting point

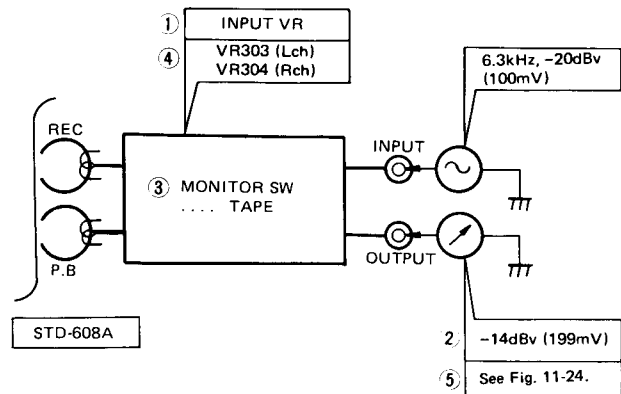


Fig. 5-13 Recording bias adjustment

### 5.8 Recording Level Adjustment

**Setting:**

Mode ..... Record  
 Input Signal ..... 333Hz, -10dBv (316mV)  
 Test tape ..... STD-608A  
 AC mV meter 1 ..... TP1 (Lch) and TP2 (Rch) for the DOLBY NR assembly  
 AC mV meter 2 ..... TP3 (Lch) and TP4 (Rch) for the DOLBY NR assembly

**Procedure:**

1. Adjust the INPUT level control so that the AC mV meter 1 reads -7.7dBv (412mV).
2. Adjust the VR305 (Lch) and VR306 (Rch) so that the AC mV meter 2 reads -7.7dBv (412mV)

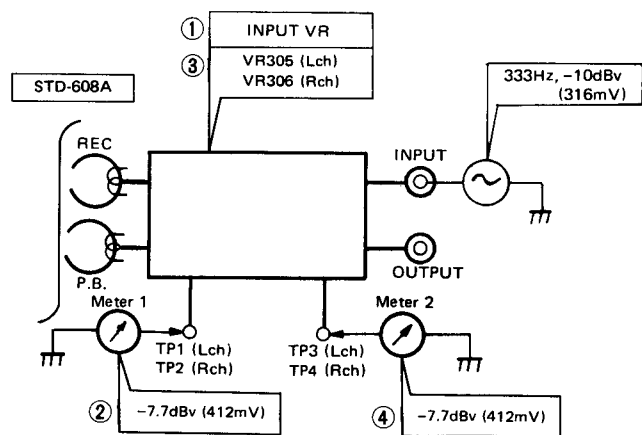


Fig. 5-14 Recording level adjustment

### 5.9 Recording/Playback Frequency Response Adjustment

**Setting:**

Mode ..... Record/Playback  
 MONITOR switch ..... SOURCE  
 Input Signal ..... 333Hz, -30dBv (31.6mV)  
 10kHz, -30dBv (31.6mV)  
 Test Tape ..... STD-608A, STD-603 and STD-604  
 AC mV meter ..... OUTPUT terminals

**Procedure:**

1. Adjust the INPUT level control so that the AC mV meter reads -24dBv (61.3mV).
2. Set the MONITOR switch to the TAPE position.
3. Record and play back the input signals (333Hz and 10kHz, -30dBv) onto the STD-608A. Adjust the VR303 (Lch) and VR304 (Rch) so that the 10kHz playback level reads 1.0dB higher than that of 333Hz.
4. Record and play back the input signals onto the STD-603. Adjust the VR301 so that the 10kHz playback level reads within  $\pm 0.5$ dB at 333Hz.
5. Likewise record and playback the input signals onto the STD-604. Confirm that the playback level meet specifications. If the playback level does not meet the specifications, adjust VR302 on the condition that erase current is within  $160 \pm 15$ mA, to meet the specifications.
6. As listed in the specifications in Fig. 5-16 check to see that performance meets specifications.

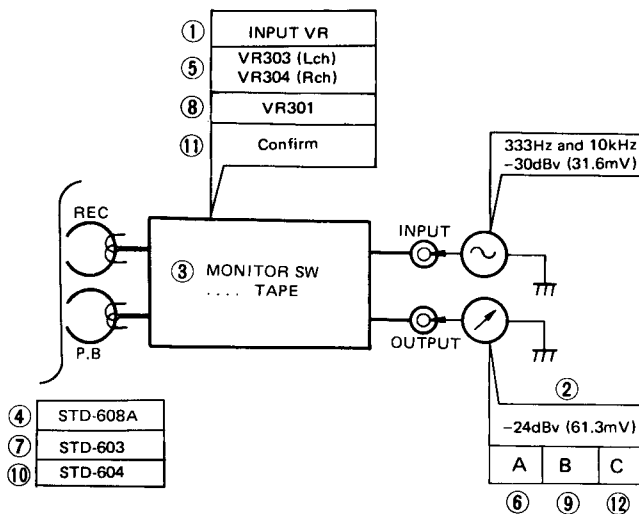


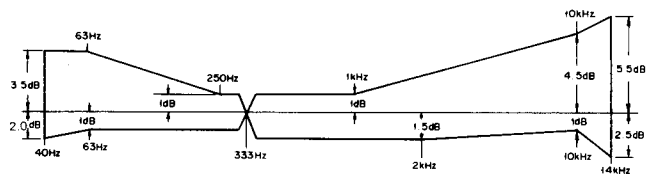
Fig. 5-15 Recording/Playback frequency response adjustment

	Level = Playback level
A	10kHz level - 333Hz level = +1.0dB
B	10kHz level - 333Hz level = $0.5\text{dB} \pm 0.5\text{dB}$
C	See Fig. 11-28.

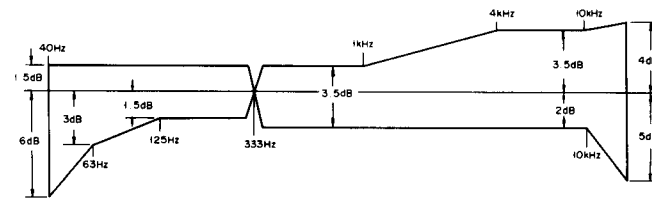
**Frequency Response**

Using STD-331A with DOLBY NR OFF

However, the right channel is compensated by -1dB at 63Hz, and -0.5dB of 125Hz because of the insulation effect.

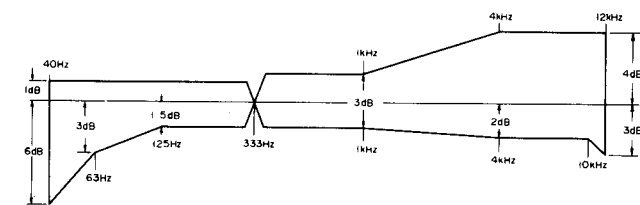


Using STD-604 with DOLBY NR OFF

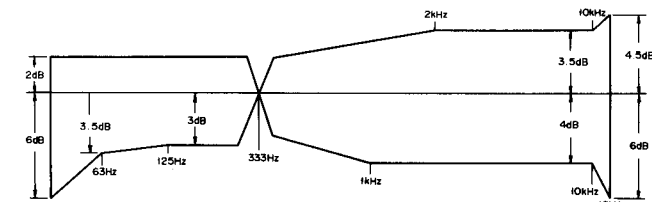


**Overall Frequency Response**

Using STD-608A with DOLBY NR OFF



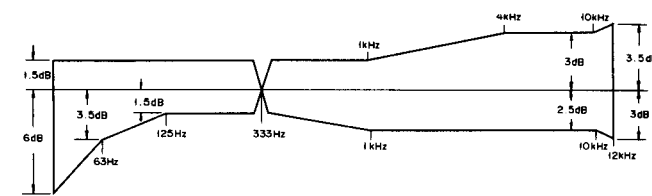
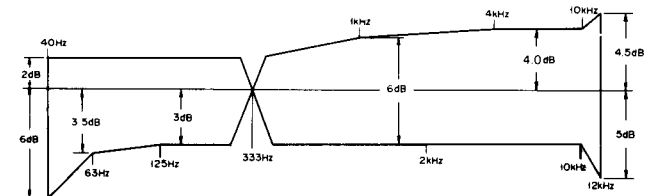
Using STD-604 with DOLBY NR ON (B and C type)



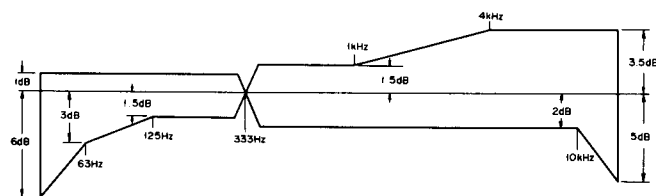
**Overall Frequency Response after AUTO B.L.E. has been adjusted.**

Using STD-608A, STD-603 and STD-604 with DOLBY NR OFF

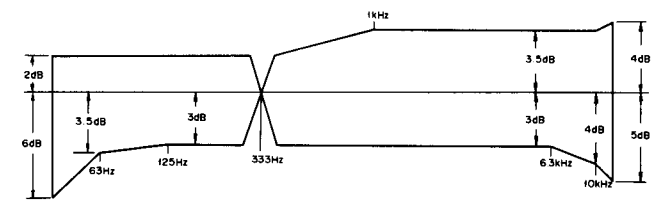
Using STD-608A with DOLBY NR ON (B and C type)



Using STD-603 with DOLBY NR OFF



Using STD-608A, STD-603 and STD-604 with DOLBY NR ON (B and C types)



Using STD-603 with DOLBY NR ON (B and C type)

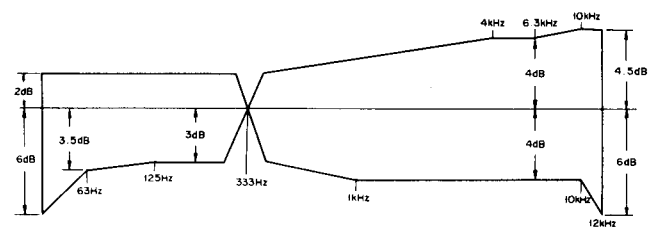


Fig. 5-16 Frequency response

### 5.10 B.L.E. Adjustment

**Setting:**

- Mode ..... STOP
- TIMER switch ..... OFF
- Test tape ..... STD-608A
- Oscilloscope ..... Between C357 (+) terminal of mother assembly and ground

**Procedure:**

1. Connect the jumper cord between TP5 and ground momentarily and then depress the REC button.
2. Adjust the VR307 so that the DC mV meter reads 2V and depress the STOP button.
3. Set the CT-9R to REW mode and then REC mode.
4. Adjust the VR308 so that the DC mV meter reads 2V and depress the STOP and RESET buttons.

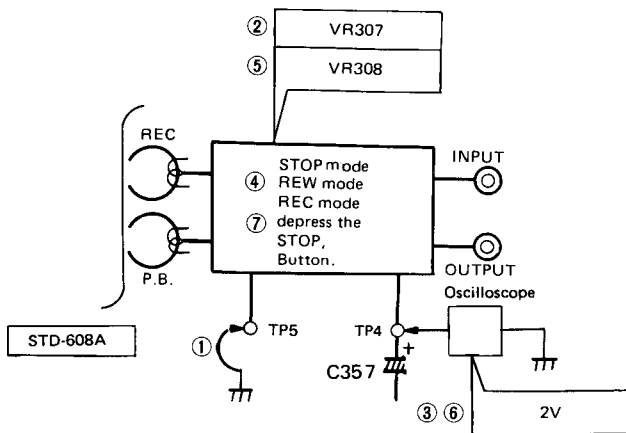


Fig. 5-17 B.L.E. adjustment

### 5.11 Leader Tape Detect Adjustment

**Step 1.**

**Setting:**

- Mode ..... STOP
- Input Signal ..... 2kHz, -17dBv (0.4V P-P Sine wave) to TP6 of the Mother assembly
- DC mV meter ..... TP7 of the Mother assembly

**Procedure:**

1. Remove the connector B of the Mother assembly.
2. Adjust the VR309 so that the DC mV meter reads 10.5V±0.25V.
3. Return the connector B to the original position.

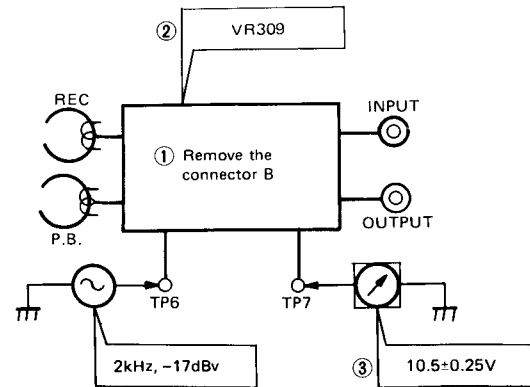


Fig. 5-18 Leader tape detect adjustment

**Step 2.**

**Setting:**

- Mode ..... Playback
- Tape ..... Cassette half without tape
- AC mV meter ..... TP6 of the Mother assembly

**Procedure:**

1. Confirm that the AC mV meter reads -10dBv (0.6V P-P square wave).
2. If -10dBv is exceeded, substitute the connector assembly A for the connector assembly A'.

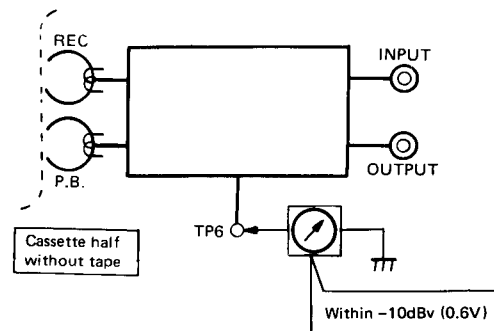


Fig. 5-19 Leader tape detect adjustment