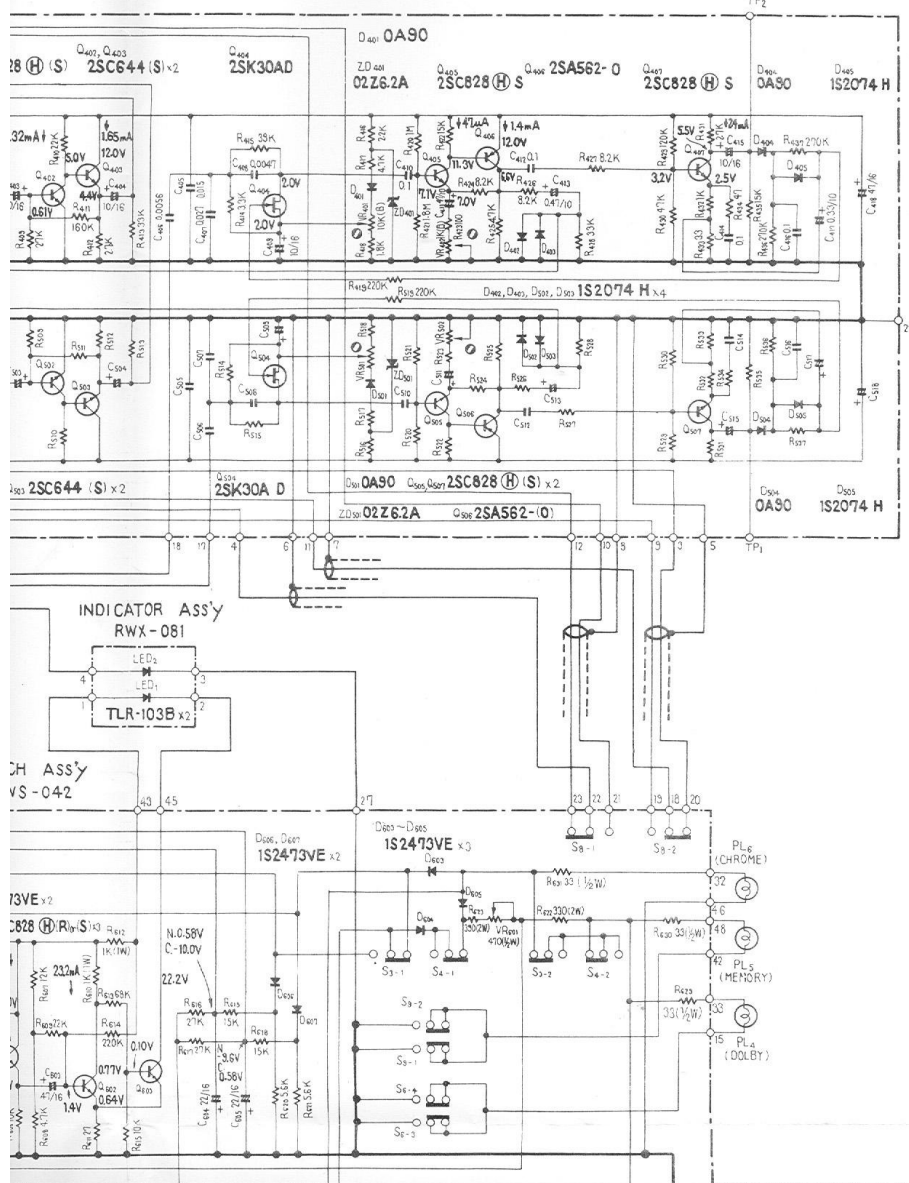
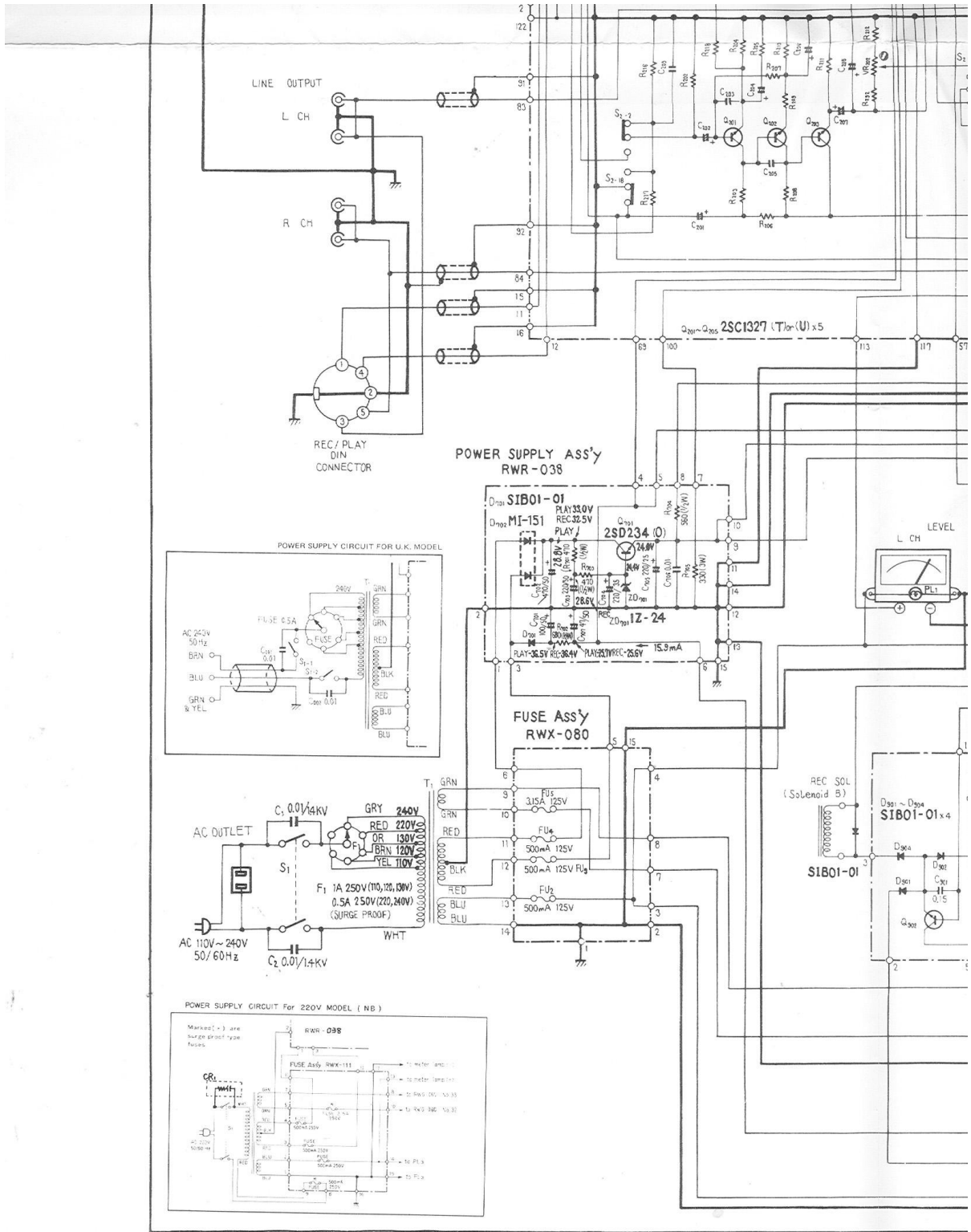
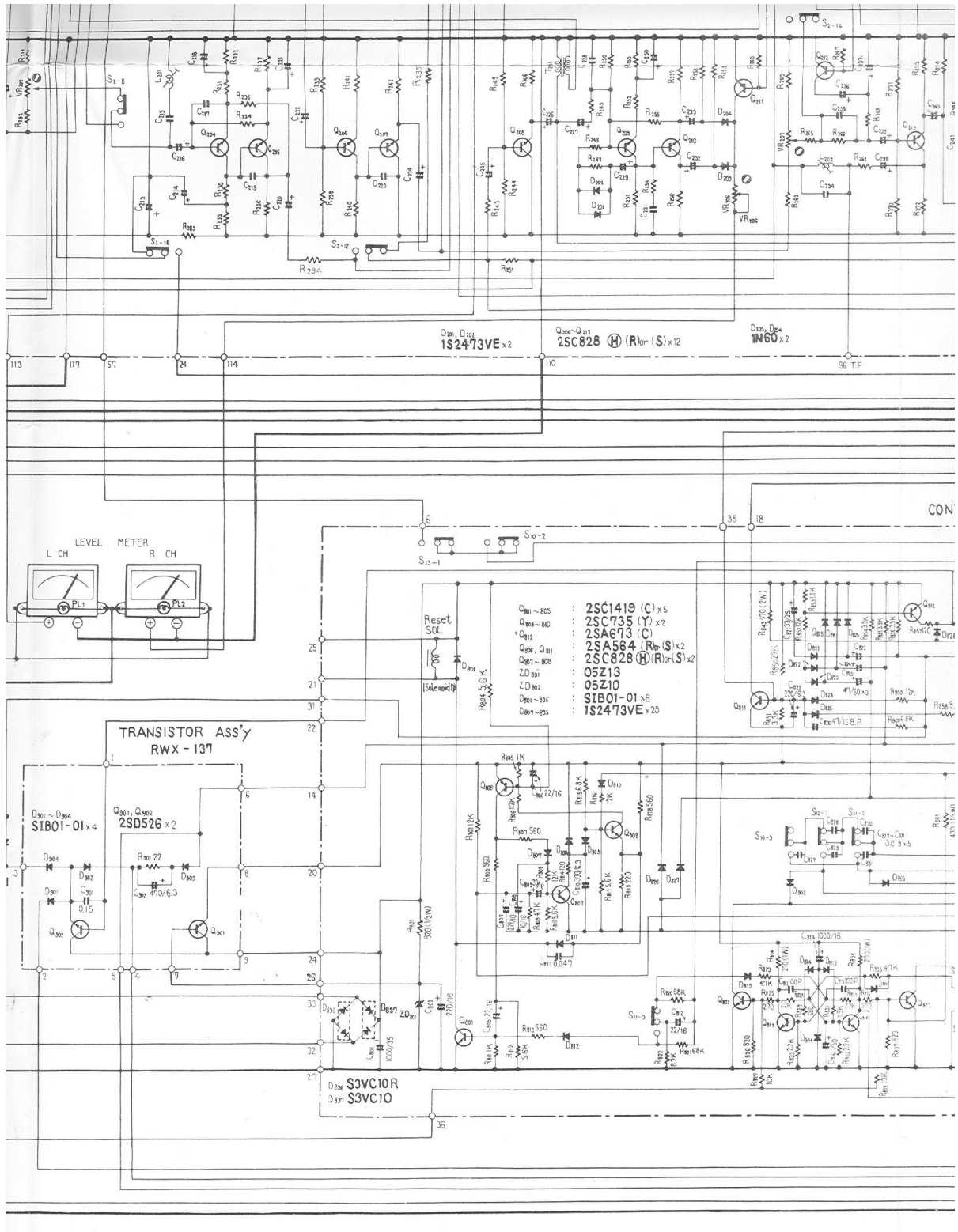


DOLBY Ass'y RWX-076



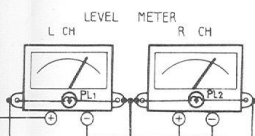




Q301, Q302  
IS2473VE x2

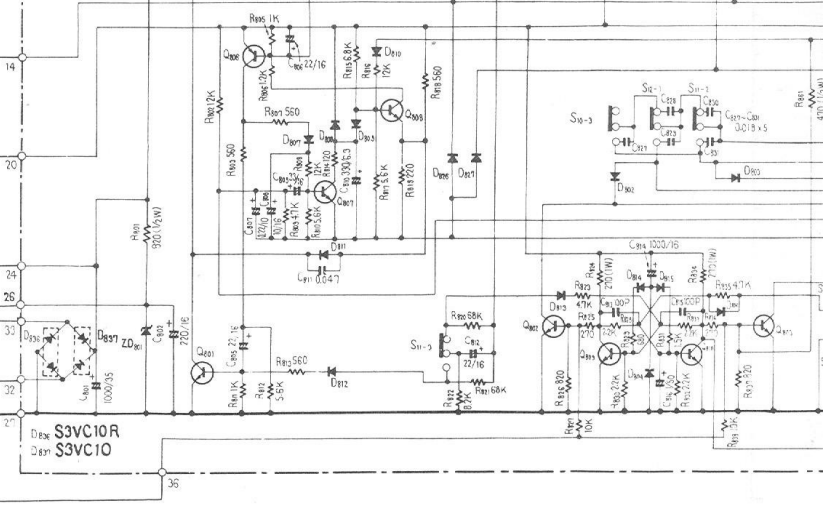
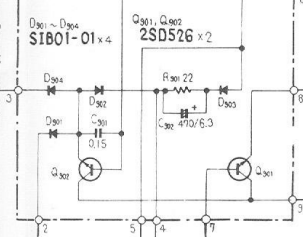
Q303-Q317  
2SC828 (H) (R) (S) x12

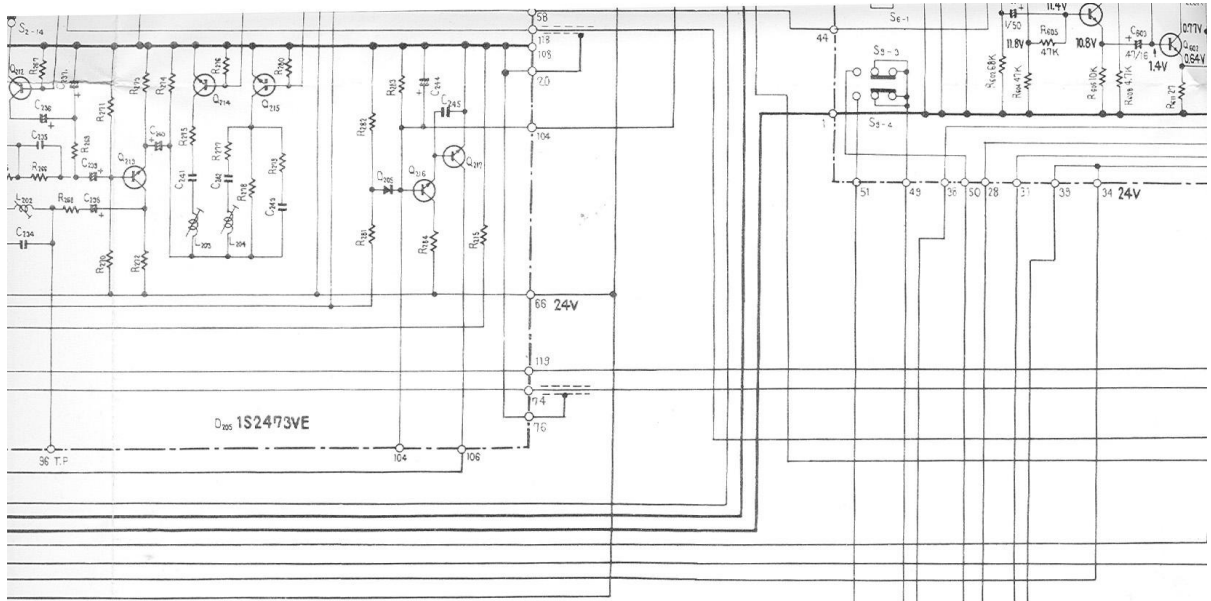
D301, D304  
1N60 x2



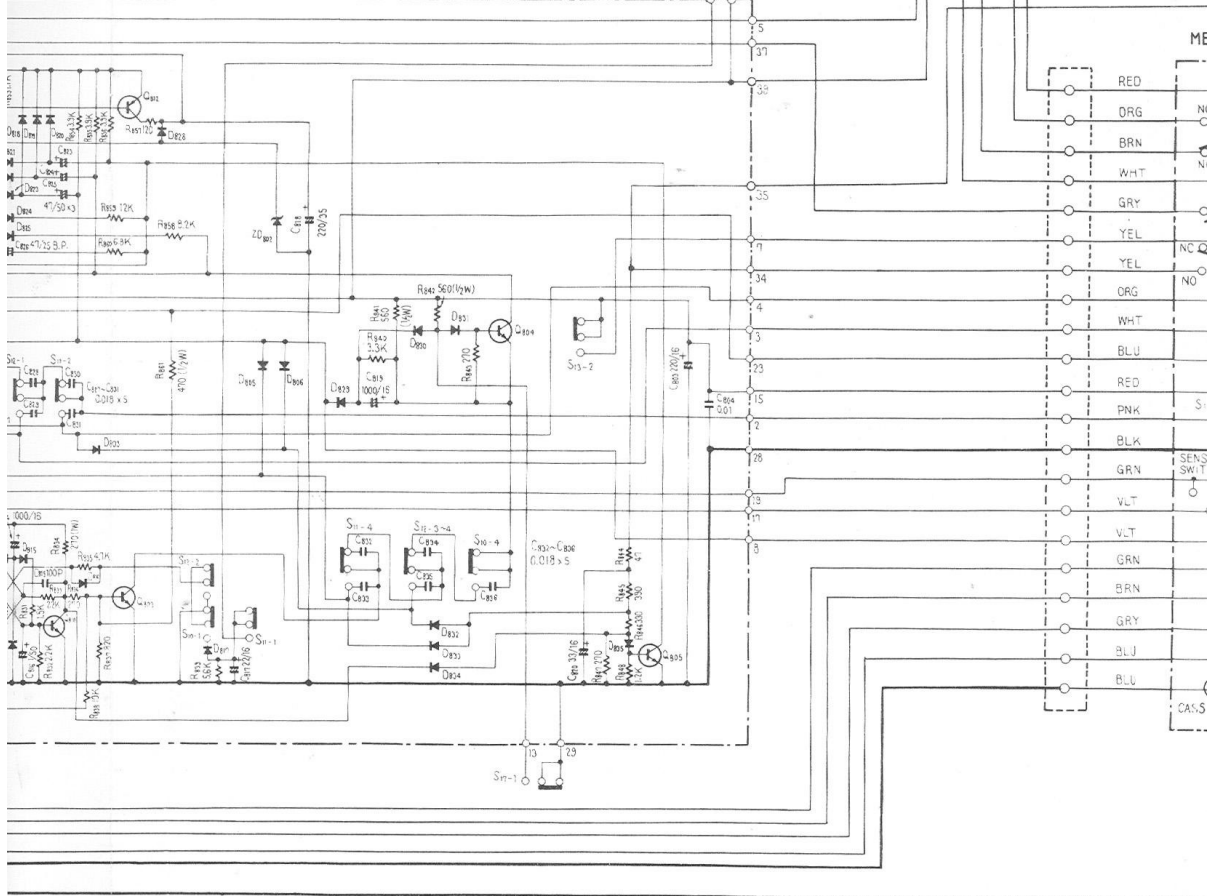
TRANSISTOR ASS'y  
RWX-137

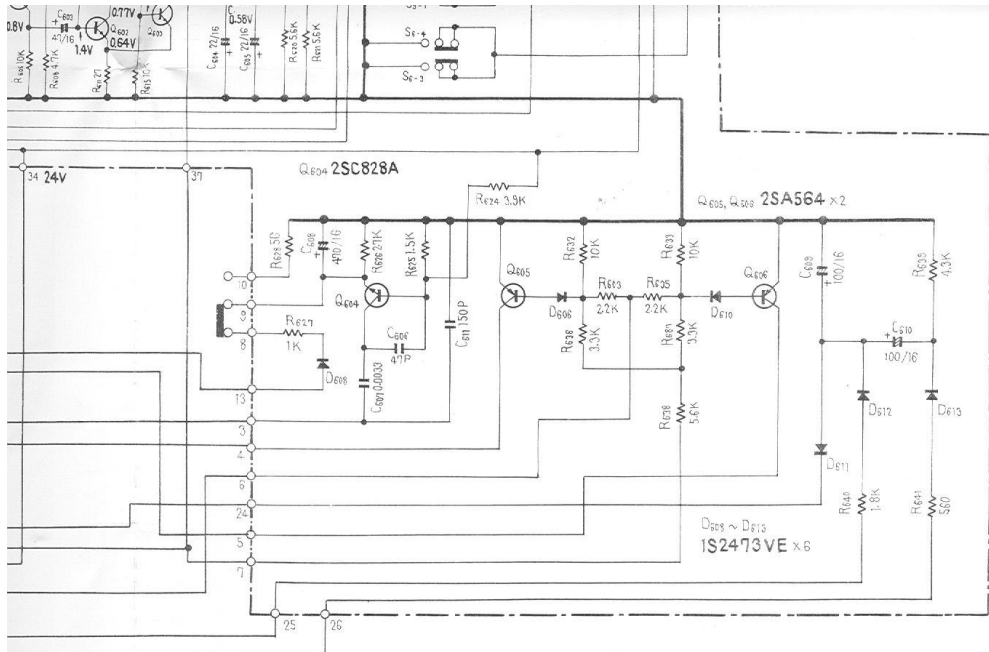
- |            |                         |
|------------|-------------------------|
| Q301 - 805 | : 2SC1419 (C) x5        |
| Q303 - 806 | : 2SC735 (Y) x2         |
| Q310       | : 2SA673 (C)            |
| D301, Q301 | : 2SA564 (R) (S) x2     |
| D302 - 808 | : 2SC828 (H) (R) (S) x2 |
| ZD 801     | : 05Z13                 |
| ZD 802     | : 05Z10                 |
| D301 - 805 | : S1B01-01 x6           |
| D301 - 805 | : IS2473VE x23          |



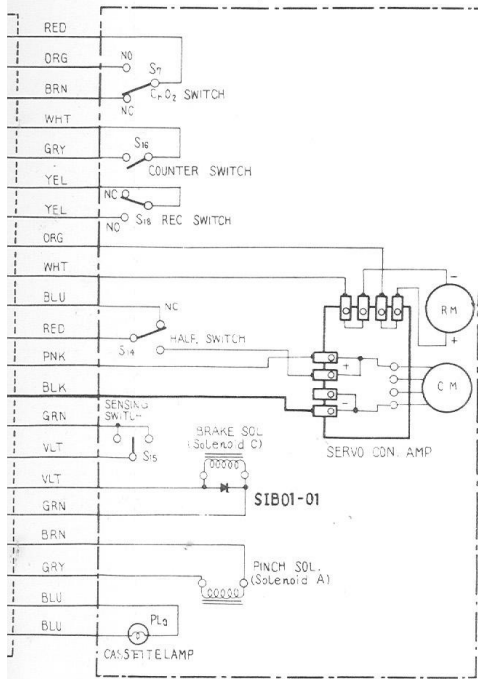


CONTROL Ass'y RWG-060





**MECHANISM Ass'y RYM-032**



**RESISTORS**  
 IN OHM, 1/4W, ±5% TOLERANCE UNLESS  
 OTHERWISE NOTED K: kΩ M: MΩ

**CAPACITORS**  
 IN μF UNLESS OTHERWISE NOTED P: pF

- SWITCHES**
- S<sub>1</sub> : POWER SWITCH (OFF POSITION)
  - S<sub>2-1~18</sub> : REC-PLAY SWITCH (PLAY POSITION)
  - S<sub>3-1~2</sub> : EQ. SWITCH (CHROME POSITION)
  - S<sub>4-1~2</sub> : BIAS SWITCH (CHROME POSITION)
  - S<sub>5-1~2</sub> : LIMITER SWITCH (OFF POSITION)
  - S<sub>6-1~2</sub> : DOLBY SWITCH (OFF POSITION)
  - S<sub>7</sub> : CHROME TAPE DETECTOR (NO HOLE POSITION)
  - S<sub>8-1~2</sub> : MPX FILTER SWITCH (OFF POSITION)
  - S<sub>9-1~4</sub> : MEMORY SWITCH (OFF POSITION)
  - S<sub>10-1~4</sub> : PLAY SWITCH (OFF POSITION)
  - S<sub>11-1~4</sub> : REW SWITCH (OFF POSITION)
  - S<sub>12-1~4</sub> : FAST FORWARD SWITCH (OFF POSITION)
  - S<sub>13-1~2</sub> : REC SWITCH (OFF POSITION)
  - S<sub>14</sub> : CASSETTE DETECTOR SWITCH (NO HOLE POSITION)
  - S<sub>15</sub> : SENSING SWITCH
  - S<sub>16</sub> : COUNTER SWITCH
  - S<sub>17-1~2</sub> : PAUSE SWITCH (OFF POSITION)
  - S<sub>18</sub> : ERASE PREVENT DETECTOR SWITCH (NOT RECORDING POSITION)