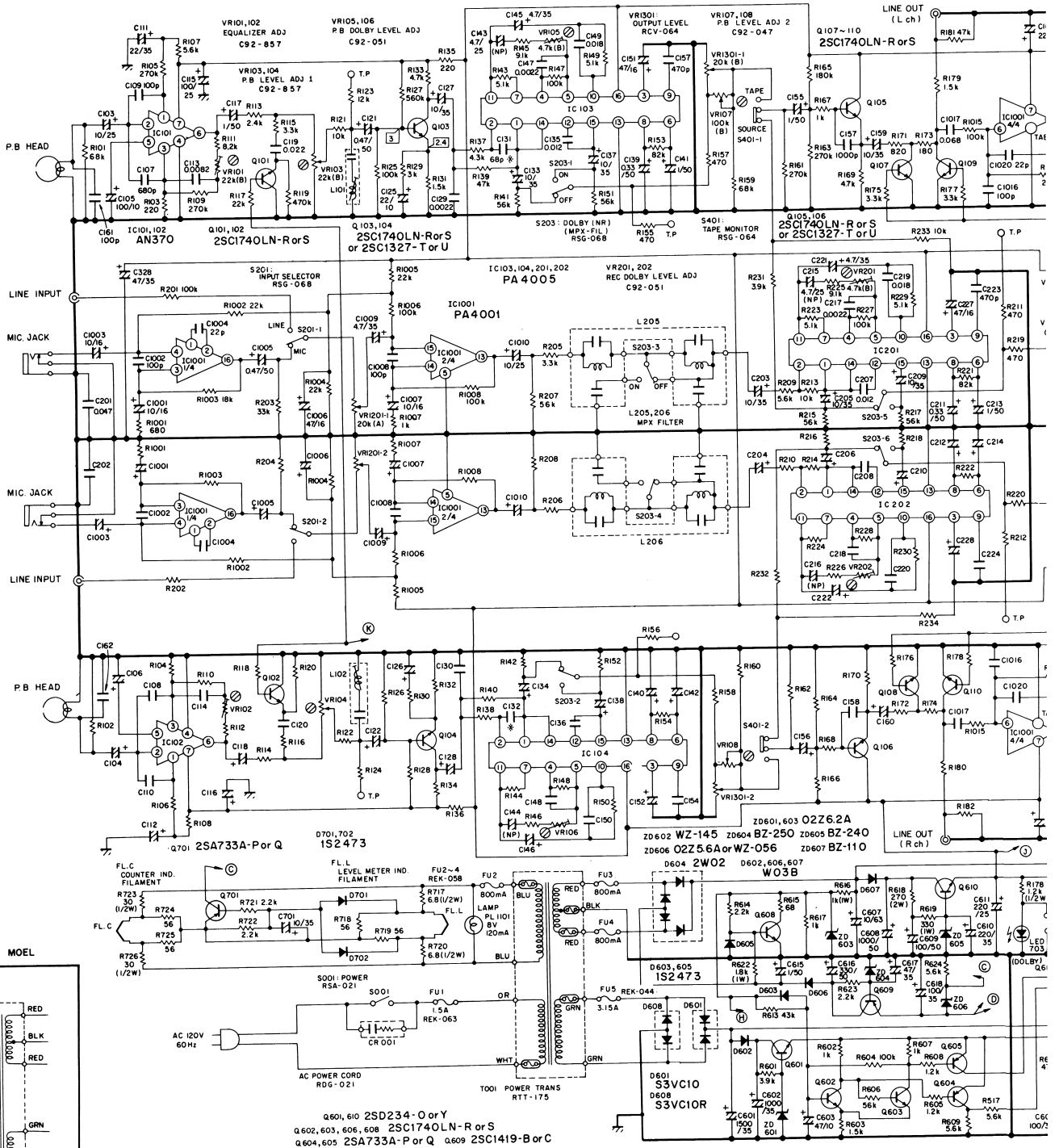
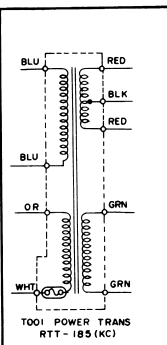


# CT-F 950 KC KU

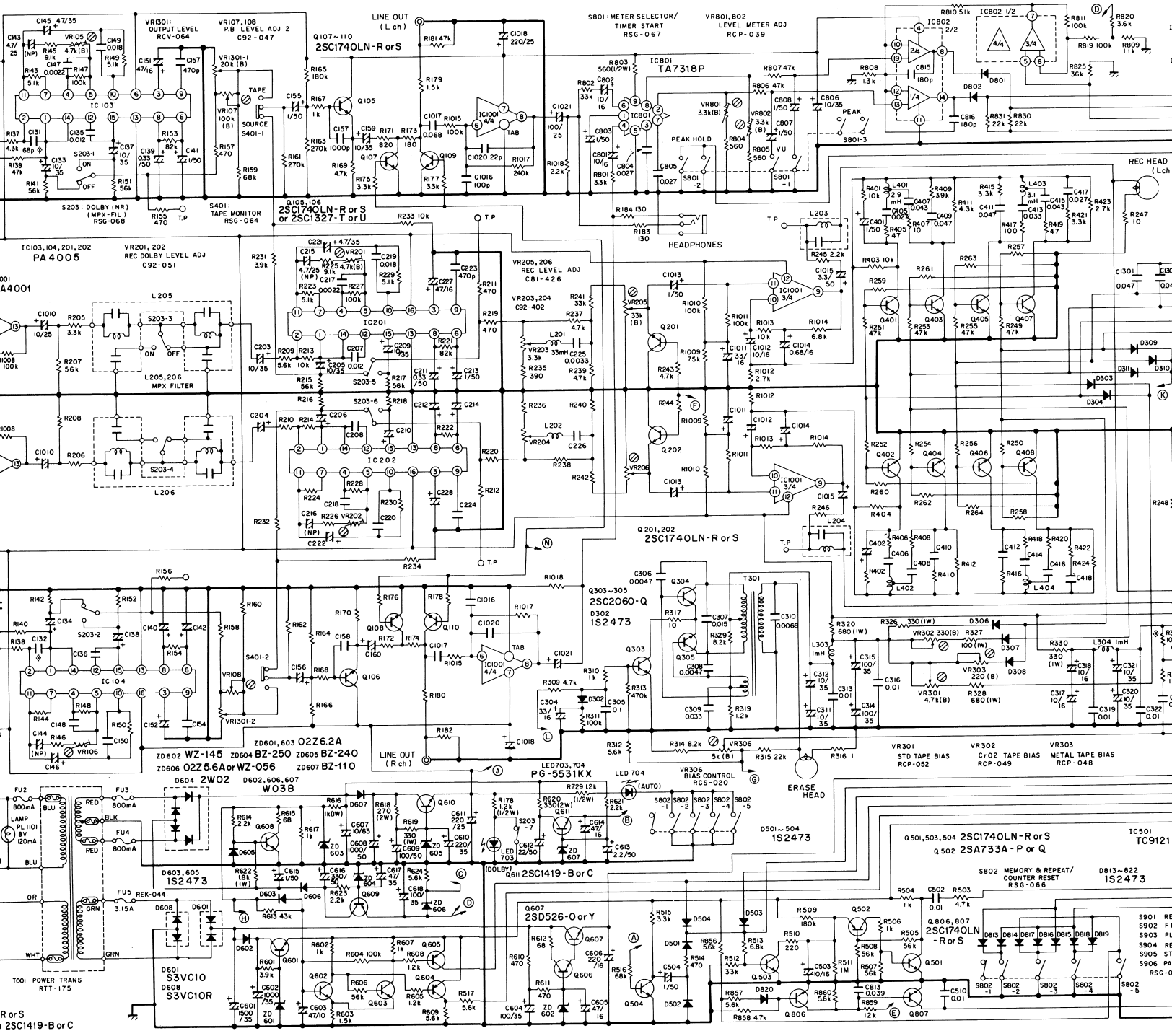


CANADA MOEL



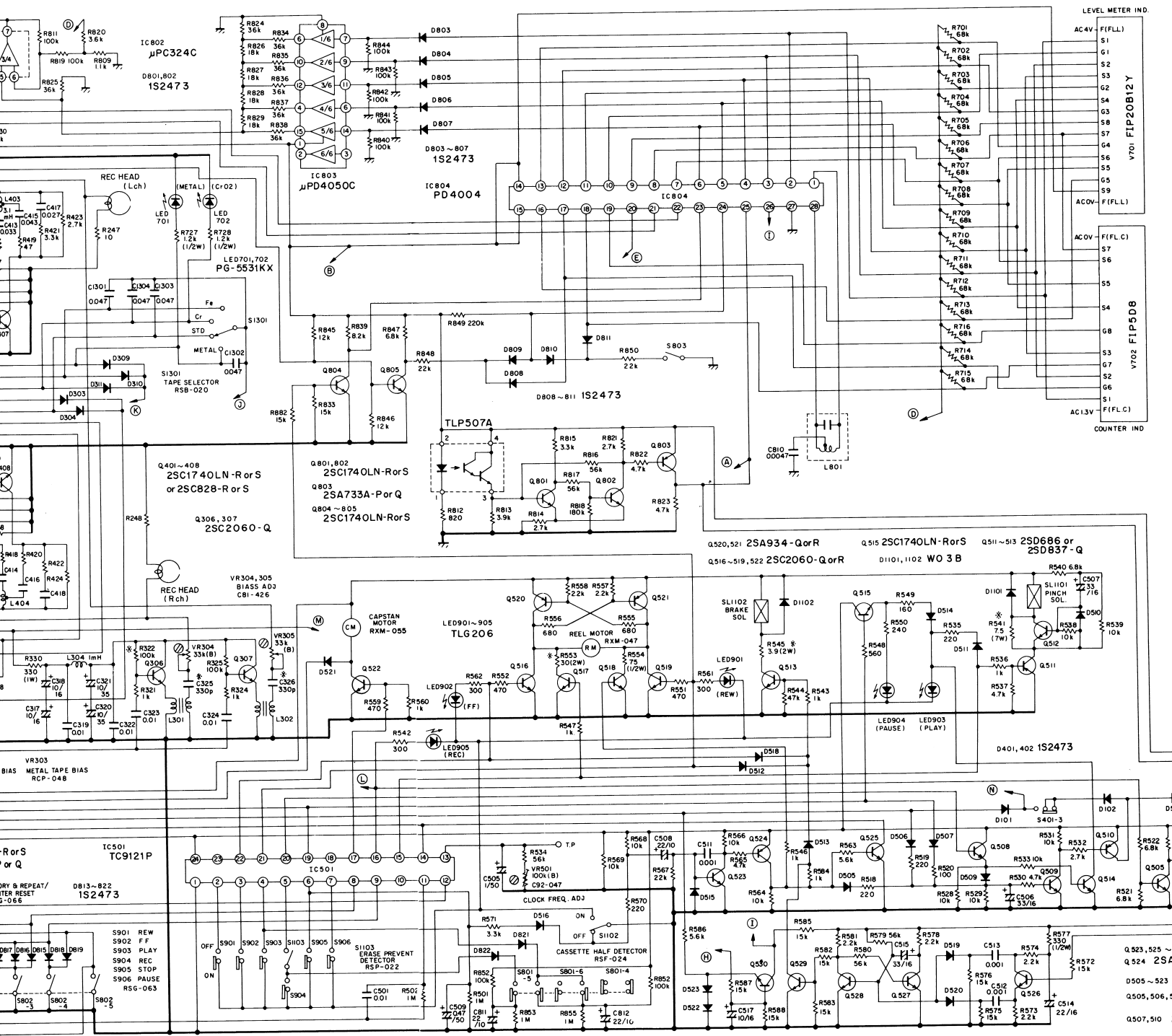
TO01 POWER TRANS  
RTT-183 (KC)

Q601, 610 2SD234-O or Y  
Q602, 603, 606, 608 2SC1740LN-R or S  
Q604, 605 2SA733A-P or Q Q609 2SC1419-B or C



R or S  
2SC1419-B or C





Q801~802 2SC1740LN-R or S  
 or 2SC828-R or S  
 Q306, 307 2SC2060-Q  
 Q803 2SA733A-P or Q  
 Q804~805 2SC1740LN-R or S  
 Q520, 521 2SA934-Q or R  
 Q515 2SC1740LN-R or S  
 Q511~513 2SD686 or 2SD837-Q  
 Q523, 525 ~ Q524 2SA  
 Q505 ~ 523  
 Q505, 506, 5  
 Q507, 510

LEVEL METER IND  
 AC4V (F.LL)  
 S1  
 S2  
 S3  
 S4  
 S5  
 S6  
 S7  
 S8  
 S9  
 AC0V (F.LL)  
 AC0V (F.LL C)  
 S7  
 S6  
 S5  
 S4  
 S3  
 S2  
 S1  
 AC1.3V (F.LL C)  
 COUNTER IND

Q523, 525 ~  
 Q524 2SA  
 Q505 ~ 523  
 Q505, 506, 5  
 Q507, 510

This ta  
both th  
knob fo

BAS

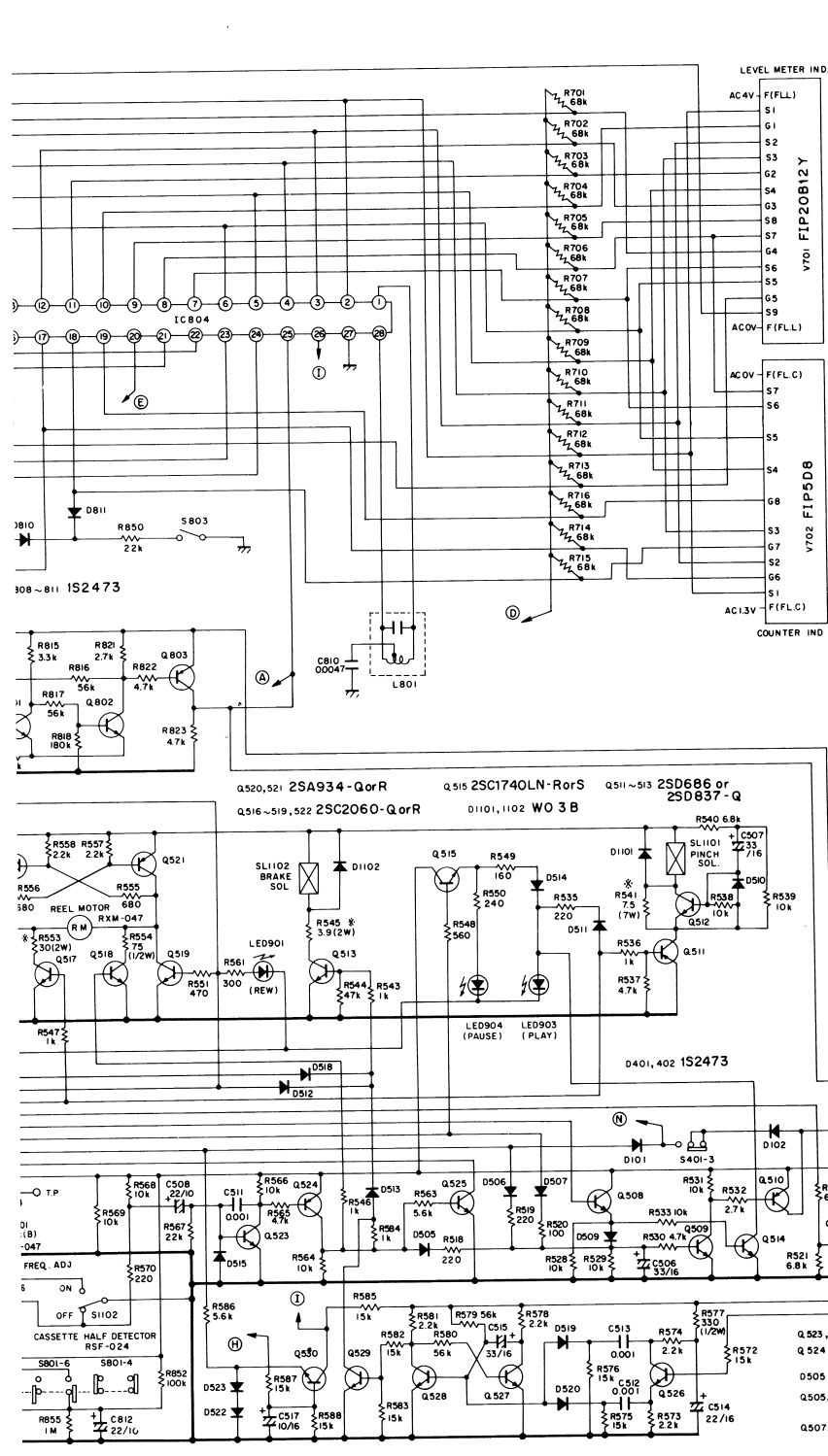
AGF

SCOT

TDR

MAXE

FUJ



- RESISTORS:  
Indicated in Ω, 1/4W, ±5% tolerance unless otherwise noted  
k: kΩ, M: MΩ, (F): ±1%, (G): ±2%, (K): ±10% tolerance
- CAPACITORS:  
Indicated in capacity (μF) / voltage (V) unless otherwise noted p: pF  
Indication without voltage is 50V except electrolytic capacitor
- VOLTAGE, CURRENT:  
□: DC voltage (V) at no input signal
- OTHERS:  
⊙: Adjusting point.

This is the basic schematic diagram, but the actual circuit may vary due to improvements in design.

- SWITCHES
- S001 POWER ON - OFF
  - S201 INPUT SELECTOR LINE - MIC
  - S203 DOLBY NR (MPX FIL) ON - OFF
  - S401 TAPE MONITOR SOURCE - TAPE
- S801-1~3 METER SELECTOR PEAK - PEAK HOLD - AVERAGE  
S801-4~6 TIMER START PLAY - REC - OFF  
S802-1~5 MEMORY & REPEAT STOP - PLAY - COUNTER - END - OFF  
S802-6~ COUNTER RESET ON - OFF
- S901 REW ON - OFF
  - S902 FF ON - OFF
  - S903 PLAY ON - OFF
  - S904 REC ON - OFF
  - S905 STOP ON - OFF
  - S906 PAUSE ON - OFF

- S1102 CASSETTE HALF DETECTOR HOLE - NO HOLE
- S1103 ERASE PREVENT DETECTOR NO HOLE - HOLE
- S1301 TAPE SELECTOR METAL - STD - CrO<sub>2</sub> - Fe-Cr

The underlined indicates the switch position.

- Q523, 525 ~ 530 2SC1740LN-R or S
- Q524 2SA733A-P or Q
- D505 ~ 523 1S2473
- Q505, 506, 508, 509, 514 2SC1740LN-R or S
- Q507, 510 2SA733A-P or Q