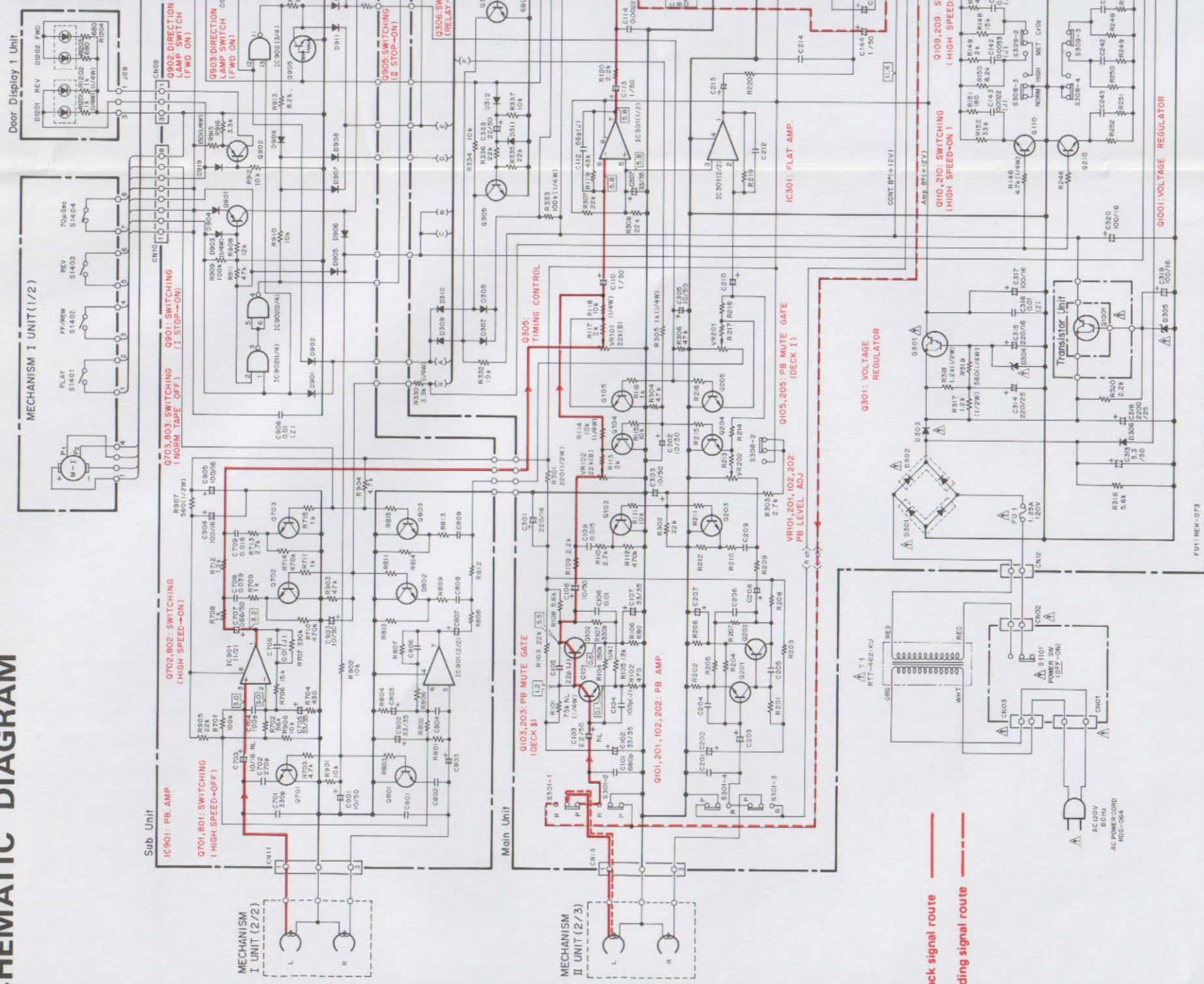
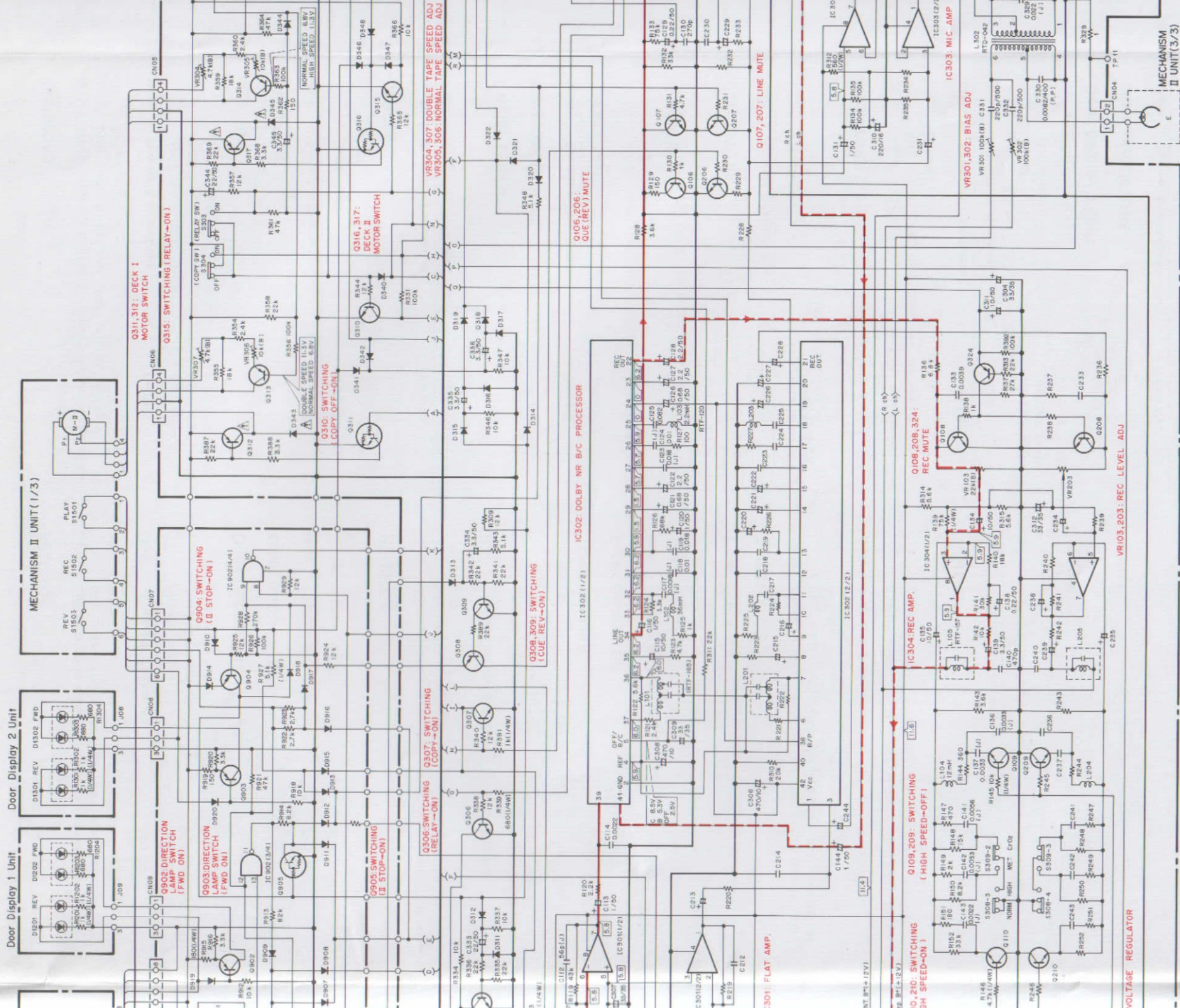


SCHEMATIC DIAGRAM



Playback signal route (Lch)

Recording signal route (Rch)



7

8

9

SWITCHES:

MECHANISM 1 UNIT
 S301 PLAY
 S342 FF/REV
 S343 REV
 S304 70µsec

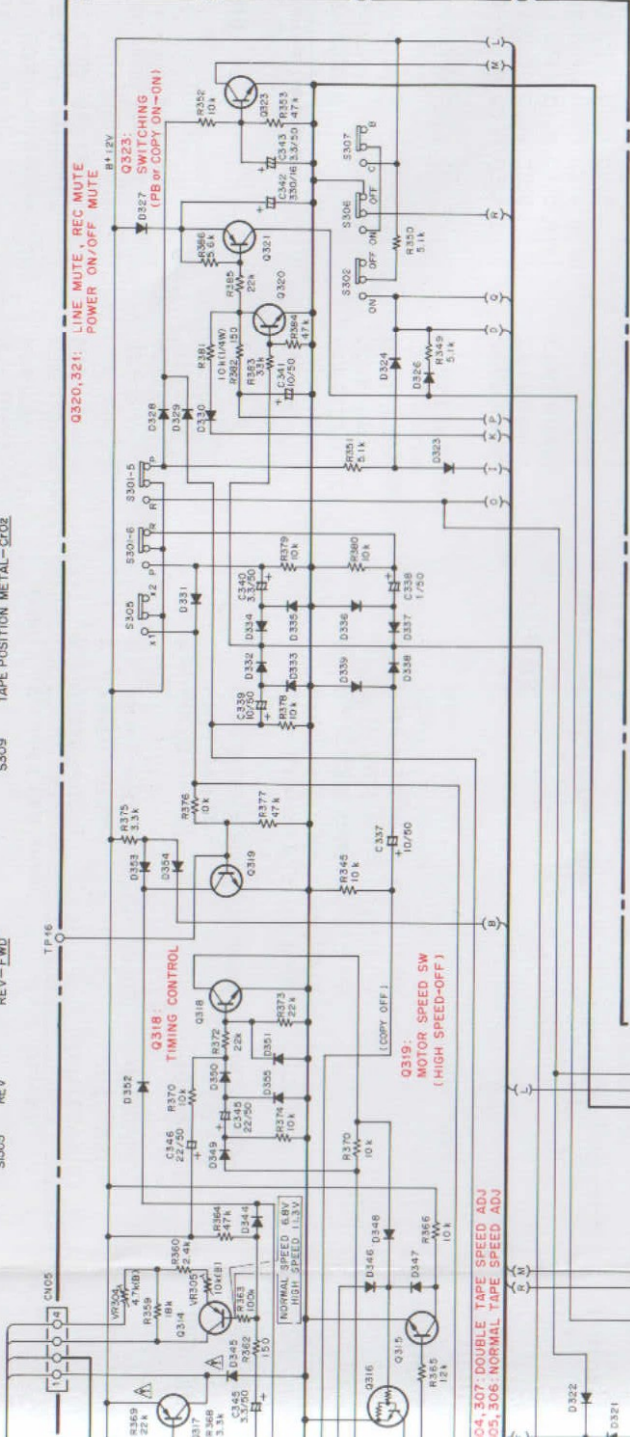
MECHANISM 2 UNIT
 S301 PLAY
 S302 REC
 S303 REV

MAIN UNIT
 REC-PB
 REC MUTE
 RELAY
 COPY
 SPEED
 DOLBY
 NR TYPE
 TAPE POSITION HIGH-NORM
 TAPE POSITION METAL-COOL

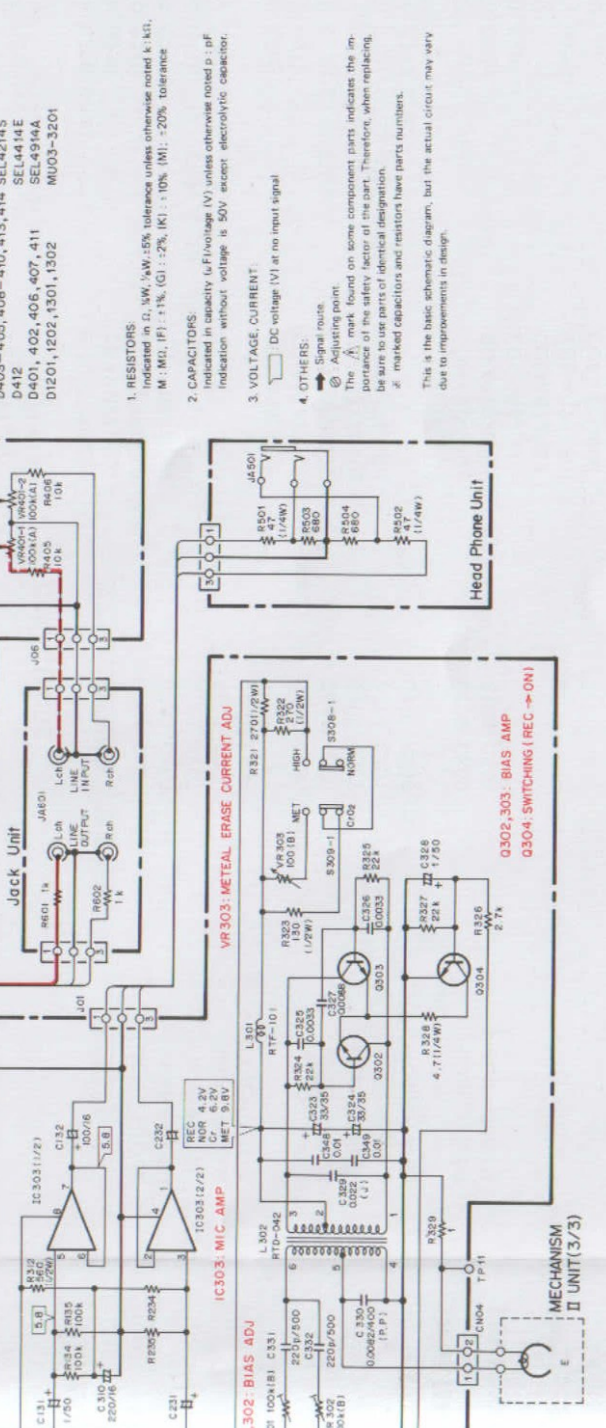
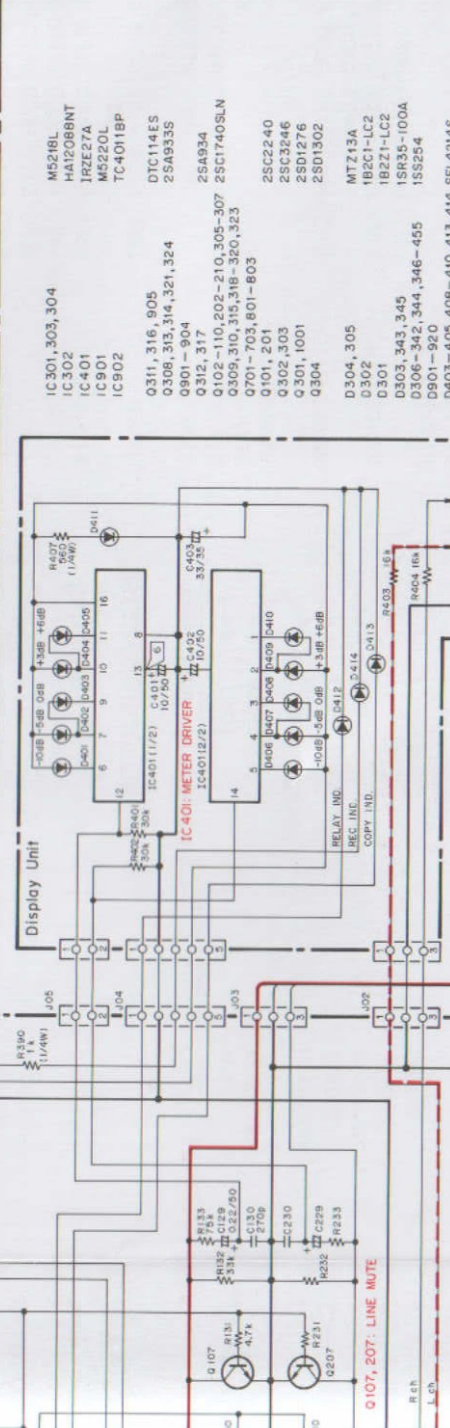
REC-PB
 ON-OFF
 ON-OFF
 ON-OFF
 ON-OFF
 X2-X1
 ON-OFF
 C-B
 ON-OFF
 HIGH-NORM
 METAL-COOL

POWER SW. UNIT
 S101 POWER
 ON-OFF

TP-46



Q4, 307: DOUBLE TAPE SPEED ADJ
 Q5, 306: NORMAL TAPE SPEED ADJ



- IC301, 303, 304
 M5216L
 HA12089NT
 IRZE27A
 M5220L
 TC-40119P
- IC401
 IC901
 IC902
- Q311, 316, 905
 Q308, 313, 314, 321, 324
 Q901-904
 Q312, 317
 Q102-110, 202-210, 305-307
 Q309, 310, 315, 316-320, 323
 Q701-703, 801-803
 Q101, 201
 Q302, 303
 Q301, 1001
 Q304
- Q304, 305
 Q302
 Q301
- Q303, 343, 345
 Q306-342, 344, 346-455
 Q901-920
 Q403-405, 406-410, 413, 414
 SEL4214S
 SEL4414E
 SEL4914A
 MU03-3201
- MT243A
 1B221-LC2
 1B221-LC2
 1S855-100A
 1S8554
- DTC114ES
 2SA935S
 2SA934
 2SC1740SLN
 2SC2240
 2SC3246
 2SD1276
 2SD1302
- VR303

1. RESISTORS: Indicated in Ω, MW, KW, MW, 5% tolerance unless otherwise noted. S: 5%
 M: MEL, PF: ±1% (G): ±2%, (K): ±10%, (J): ±20% tolerance

2. CAPACITORS: Indicated in capacity (μF) or voltage (V) unless otherwise noted. p: pF
 Indication without voltage is 50V except electrolytic capacitor.

3. VOLTAGE CURRENT: ⚡ DC voltage (V) at no input signal

4. OTHERS: ⚡ Signal noise
 ⊕ Adjusting point
 The ⚡ mark found on some component parts indicates the importance of the safety factor of the part. Therefore, when replacing, be sure to use parts of identical designation.
 ⚡ marked capacitors and resistors have parts numbers.

This is the basic schematic diagram, but the actual circuit may vary due to improvements in design.

7

8

9