

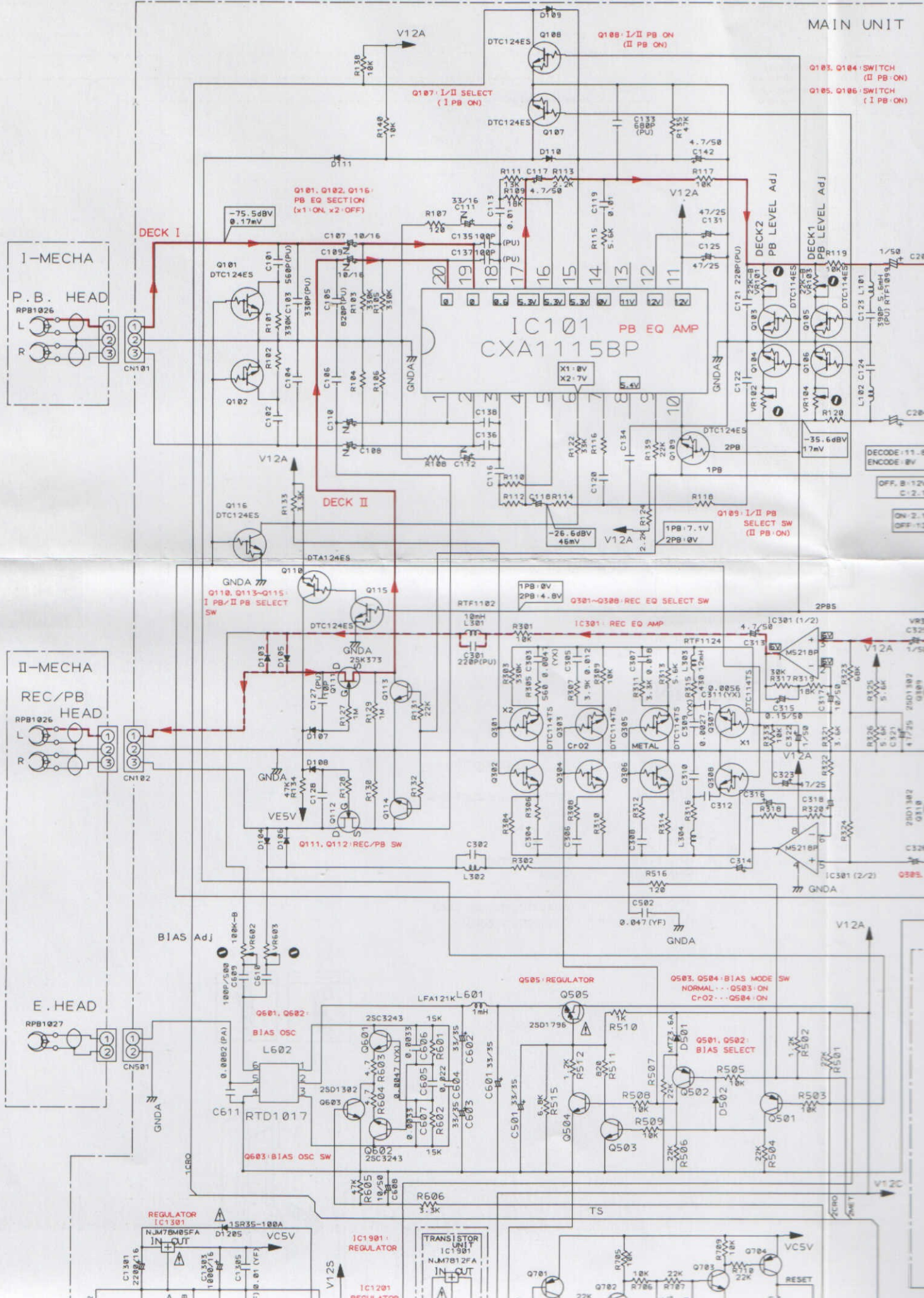
5. SCHEMATIC DIAGRAM

A

B

C

D



MAIN UNIT

Q103, Q104: SWITCH (II PB-ON)
Q105, Q106: SWITCH (I PB-ON)

Q101, Q102, Q115: PB EQ SECTION (X1-ON, X2-OFF)

DECK I

DECK II

Q110, Q113-Q115: I PB/II PB SELECT SW

Q109: I/II PB SELECT SW (II PB-ON)

Q301-Q308: REC EQ SELECT SW

Q505: REGULATOR

Q503, Q504: BIAS MODE SW (NORMAL: Q503-ON, C-02: Q504-ON)

Q501, Q502: BIAS SELECT

BIAS Adj

BIAS OSC

BIAS OSC SW

REGULATOR

IC1901: REGULATOR

IC1901: REGULATOR

TRANSISTOR

IC1901: REGULATOR

DECODE: 11.8V
ENCODE: 8V

OFF: B-12V
C-2: 21V

ON: 2: 11V
OFF: 12V

2001387
Q311

2001387
Q311

2001387
Q311

2001387
Q311

2001387
Q311

2001387
Q311

2001387
Q311

2001387
Q311

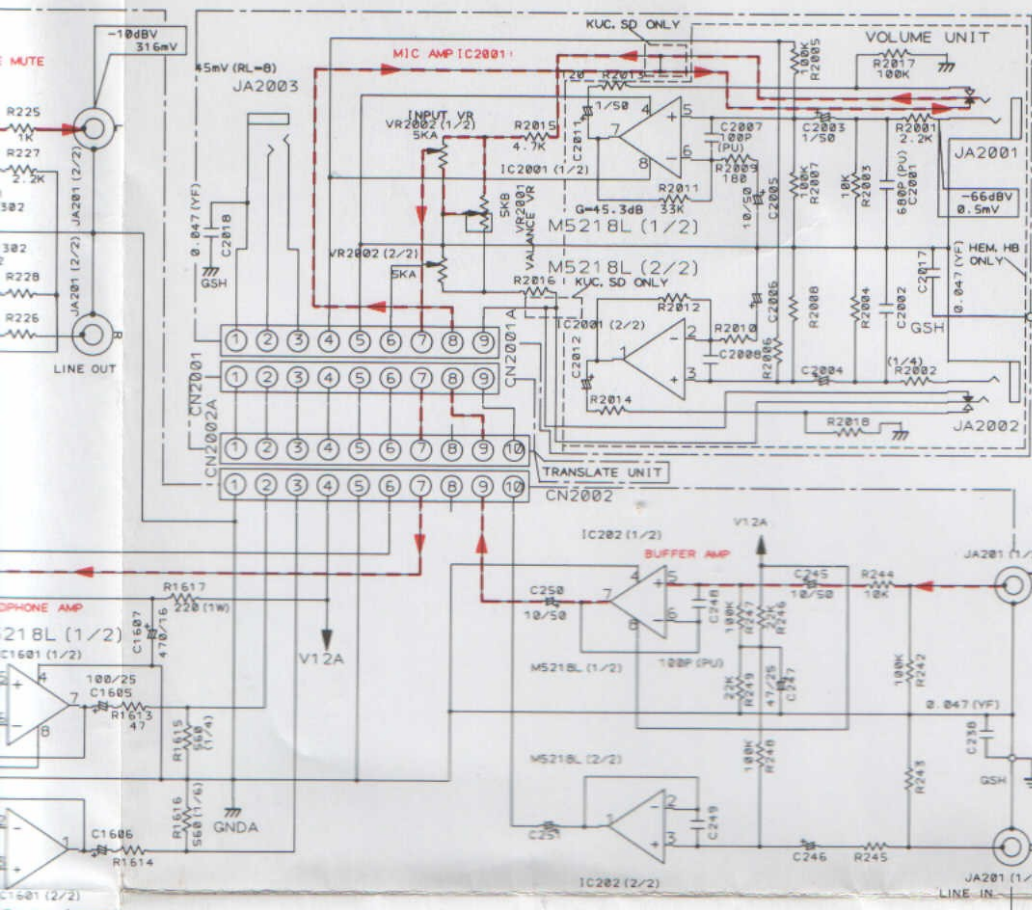
2001387
Q311

2001387
Q311

2001387
Q311

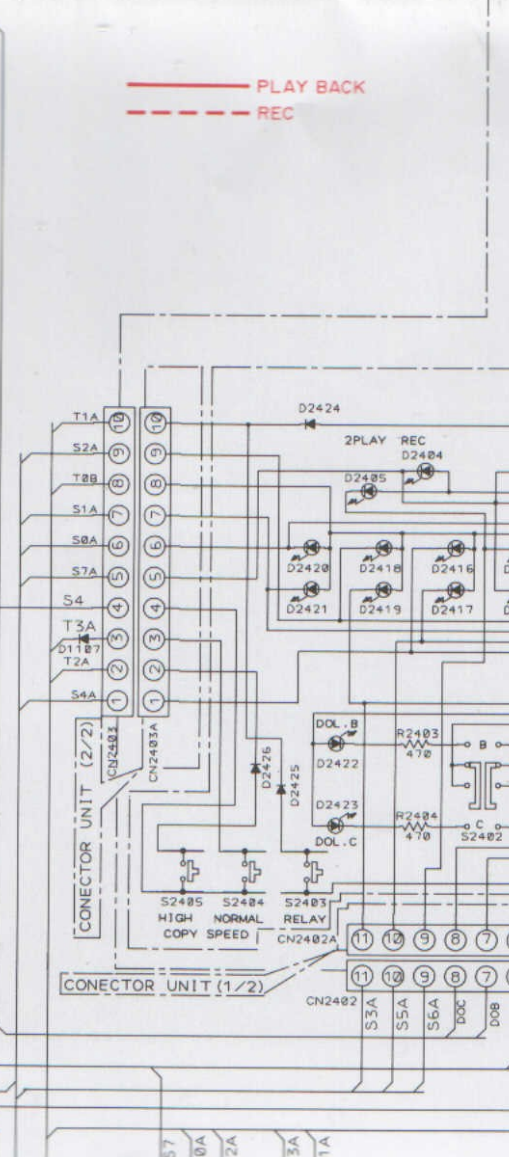
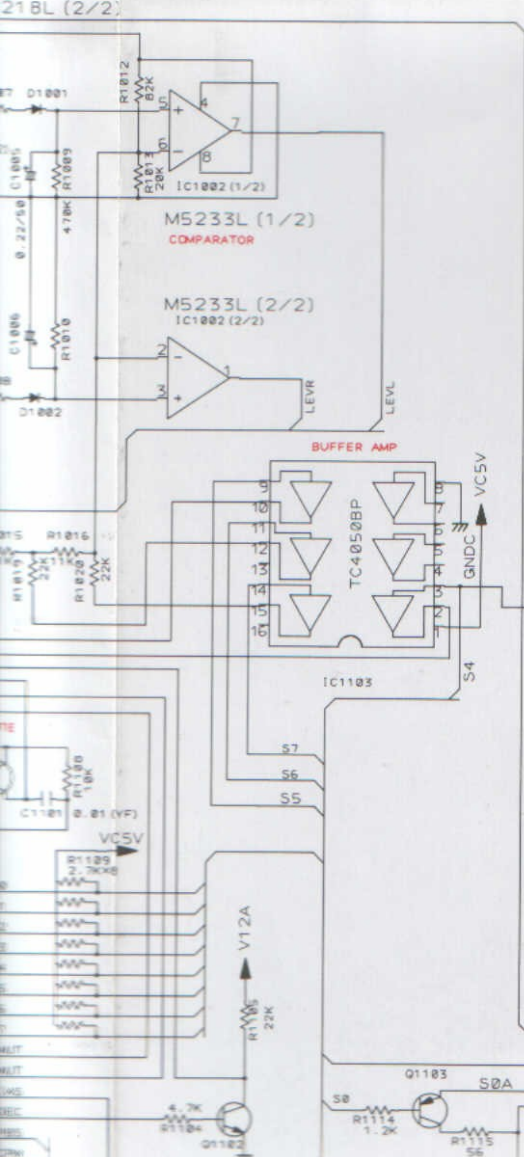
2001387
Q311

2001387
Q311

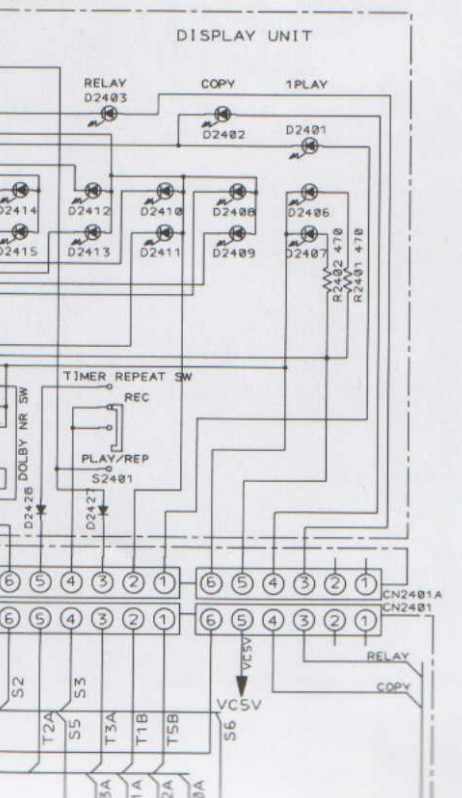


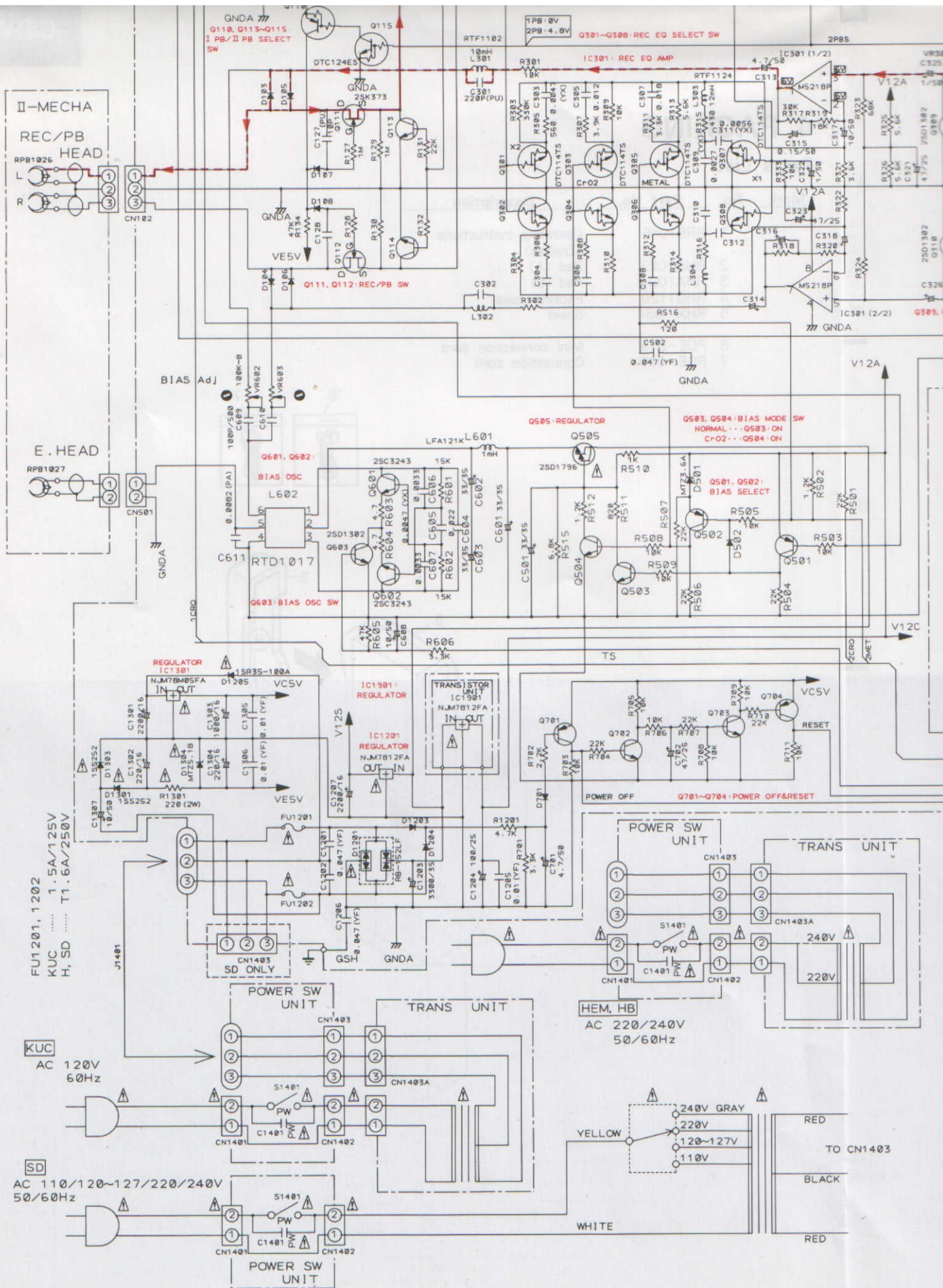
1. RESISTORS:
Indicated in Ω , 1/8, 1/4W, $\pm 5\%$ tolerance unless otherwise noted k: k Ω , M: M Ω , (F) $\pm 1\%$, (G) $\pm 2\%$, (K) $\pm 10\%$, (M) $\pm 20\%$ tolerance.
2. CAPACITORS:
Indicated in capacity (μ F)/voltage (V) unless otherwise noted p: pF. Indication without voltage is 50V except electrolytic capacitor.
3. VOLTAGE, CURRENT
 : Signal voltage at W+ W, B Ω output (1kHz)
 : DC voltage (V) at no input signal. Value in () is DC voltage at rated power.
 mA: DC current at no input signal.
 mV: Signal voltage at FM 1kHz ± 75 Hz DEV.

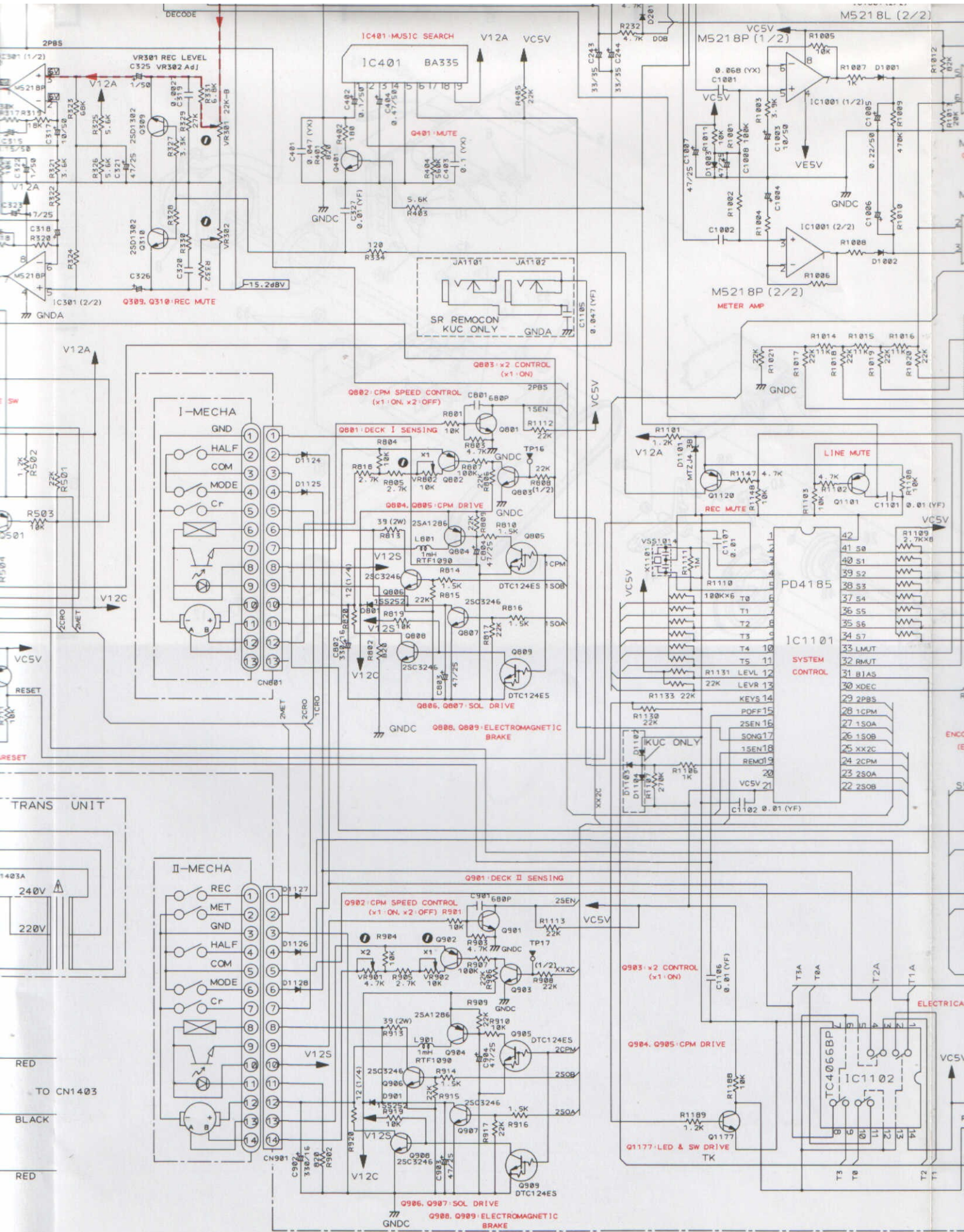
4. OTHERS
 : Signal route.
 : Adjusting point.
- The Δ mark found on some component parts indicates the importance of the safety factor of the part. Therefore, when replacing, be sure to use parts of identical designation.
 * marked capacitor and resistor have parts number.
- This is the basic schematic diagram, but the actual circuit may vary due to improvements in design.



5. SWITCHES
(The underline indicates the switch position)
- POWER SW UNIT
 - S1401: POWER ON-OFF
 - DISPLAY UNIT
 - S2401: TIMER MODE
 - S2402: REC-OFF-PLAY/REPEAT
 - S2403: DOLBY NR B-OFF-C
 - S2404: PLAY MODE I (RELAY/SKIP)
 - S2405: SYNCRO COPY MODE I=II (NORMAL SPEED)
 - S2406: SYNCRO COPY MODE I=II (HIGH SPEED)
 - CONTROL 1 UNIT
 - S2201: FF
 - S2202: PLAY
 - S2203: STOP
 - S2204: REW
 - CONTROL 2 UNIT
 - S2301: REW
 - S2302: STOP
 - S2303: MUTE
 - S2304: PAUSE
 - S2305: REC
 - S2306: PLAY
 - S2307: FF

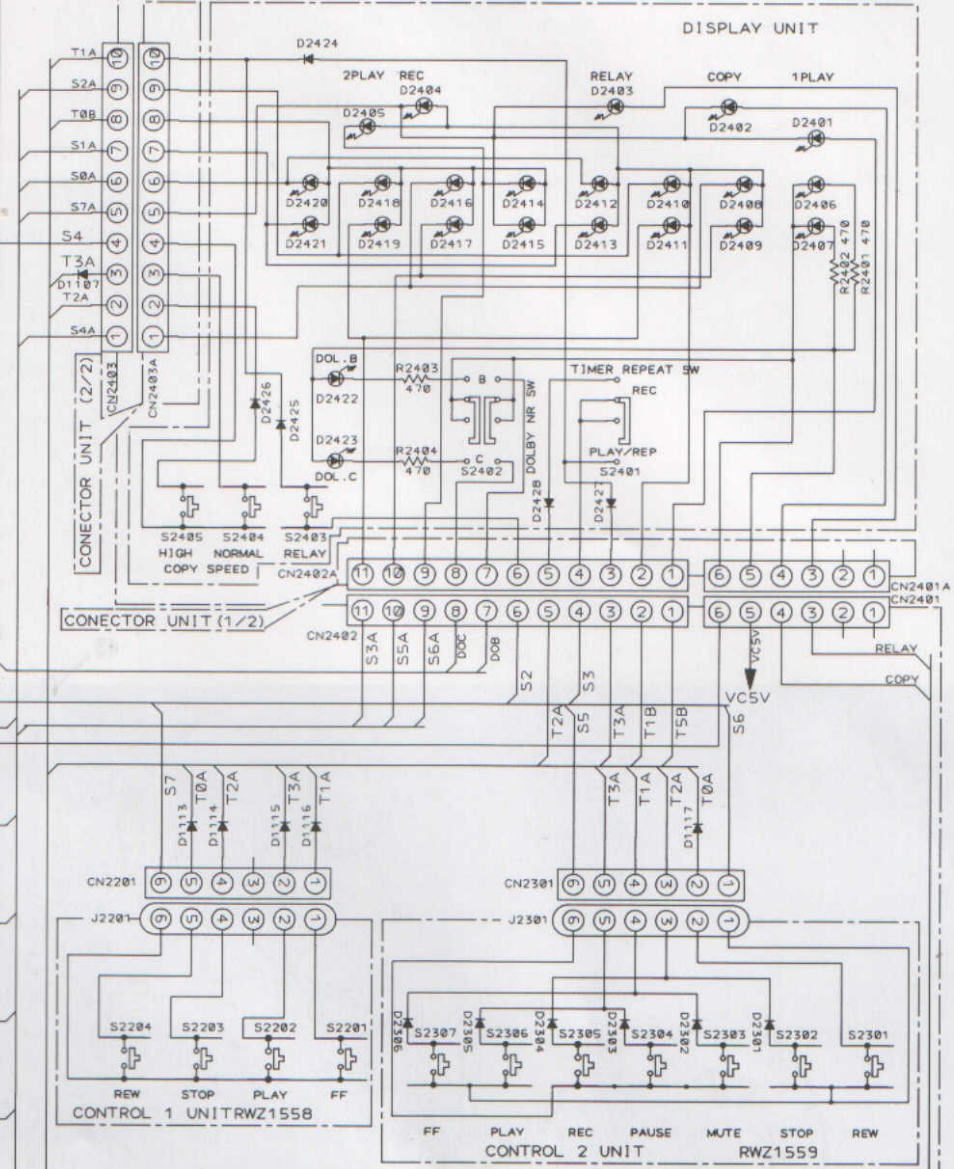
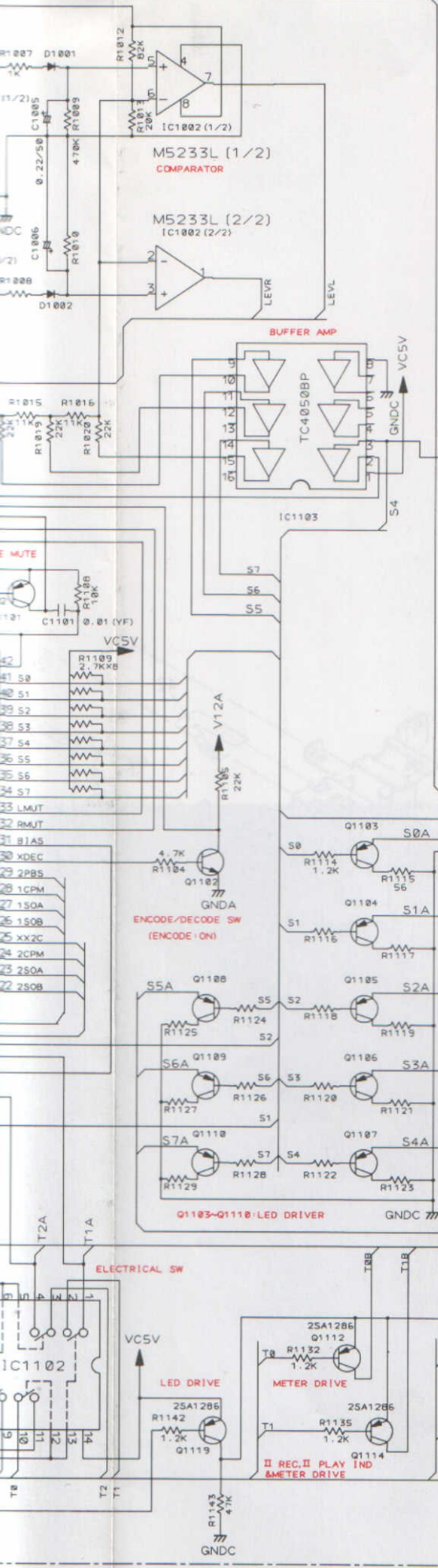






PLAY BACK
REC

- POWER SW UNIT
- S1401: POWER ON-OFF
- DISPLAY UNIT
- S2401: TIMER MODE
- REC-OFF-PLAY/REPEAT
- S2402: DOLBY NR B-OFF-C
- S2403: PLAY MODE (RELAY/SKIP)
- S2404: SYNCRO COPY MODE I=II (NORMAL SPEED)
- S2405: SYNCRO COPY MODE I=II (HIGH SPEED)
- CONTROL 1 UNIT
- S2201: FF
- S2202: PLAY
- S2203: STOP
- S2204: REW
- CONTROL 2 UNIT
- S2301: REW
- S2302: STOP
- S2303: MUTE
- S2304: PAUSE
- S2305: REC
- S2306: PLAY
- S2307: FF



- D2402, D2404, 2416~2421 SEL4214R
- D2401, 2403, 2405~2415, 2422 2423 KUC, SD SEL4914D
- HEM, HB SEL4414G

NOTE: If the parts are not identified in the diagram, the followings are used.

- 1SS254
- NPN 2SC3311A
- PNP 2SA1309A