

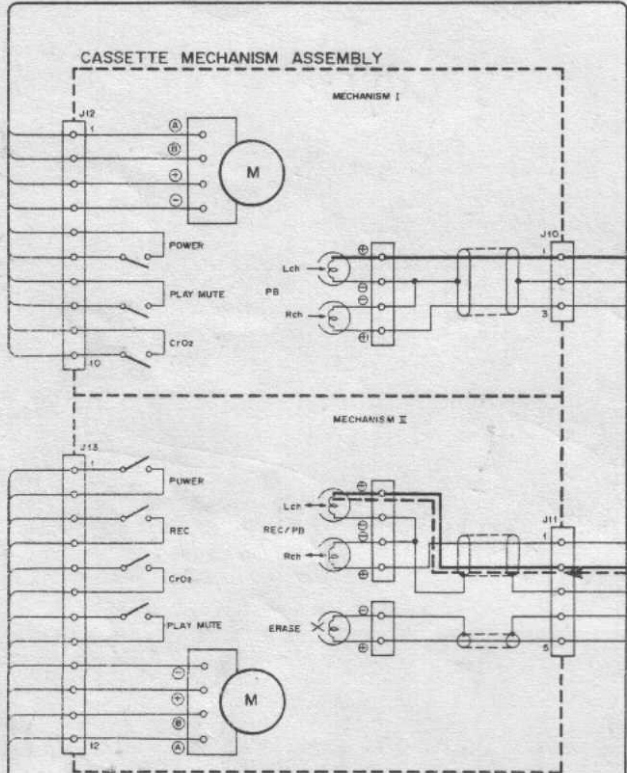
4. SCHEMATIC DIAGRAM

A

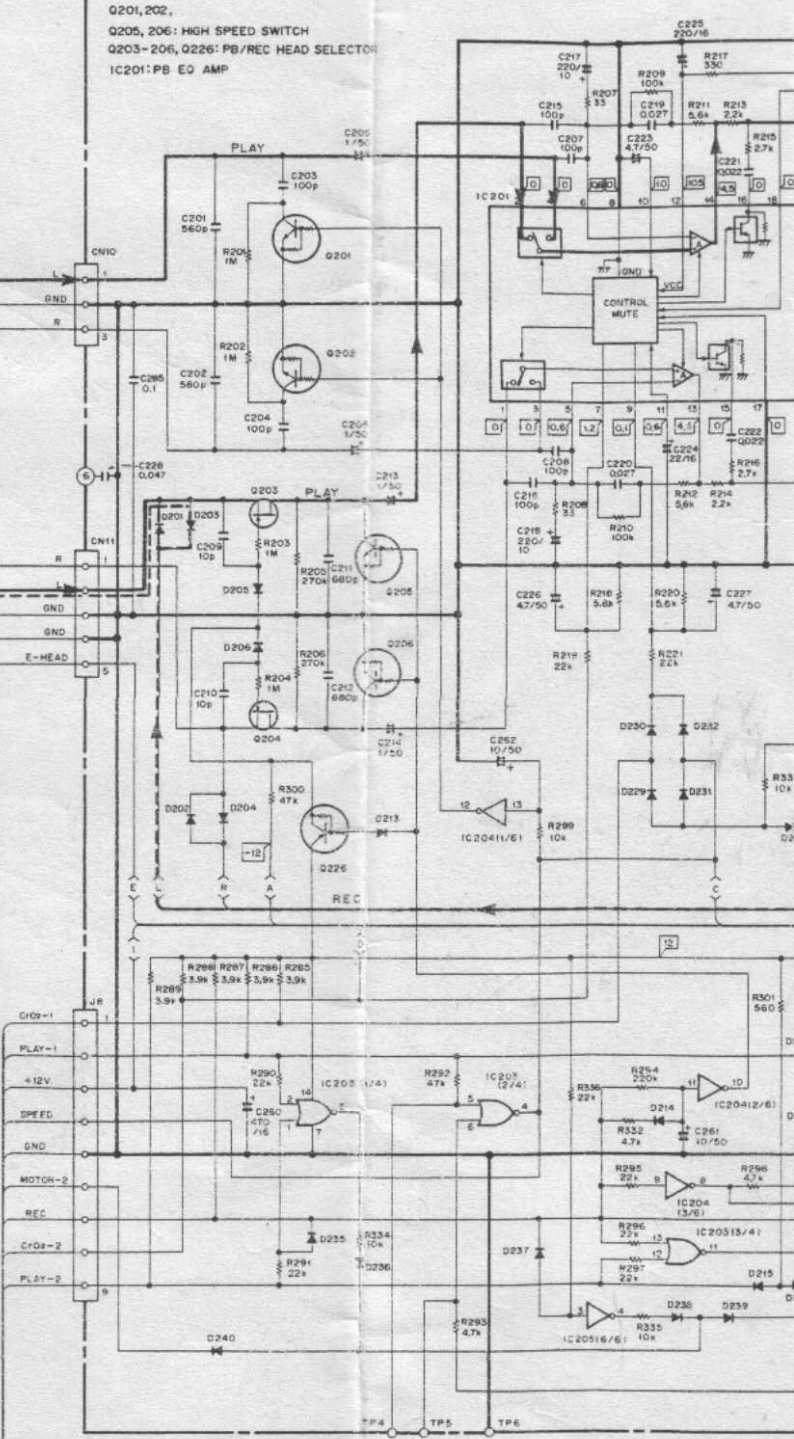
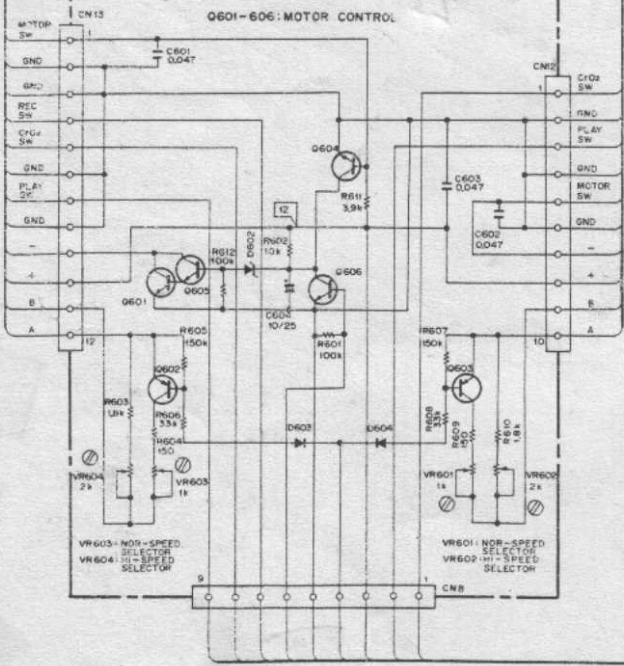
3

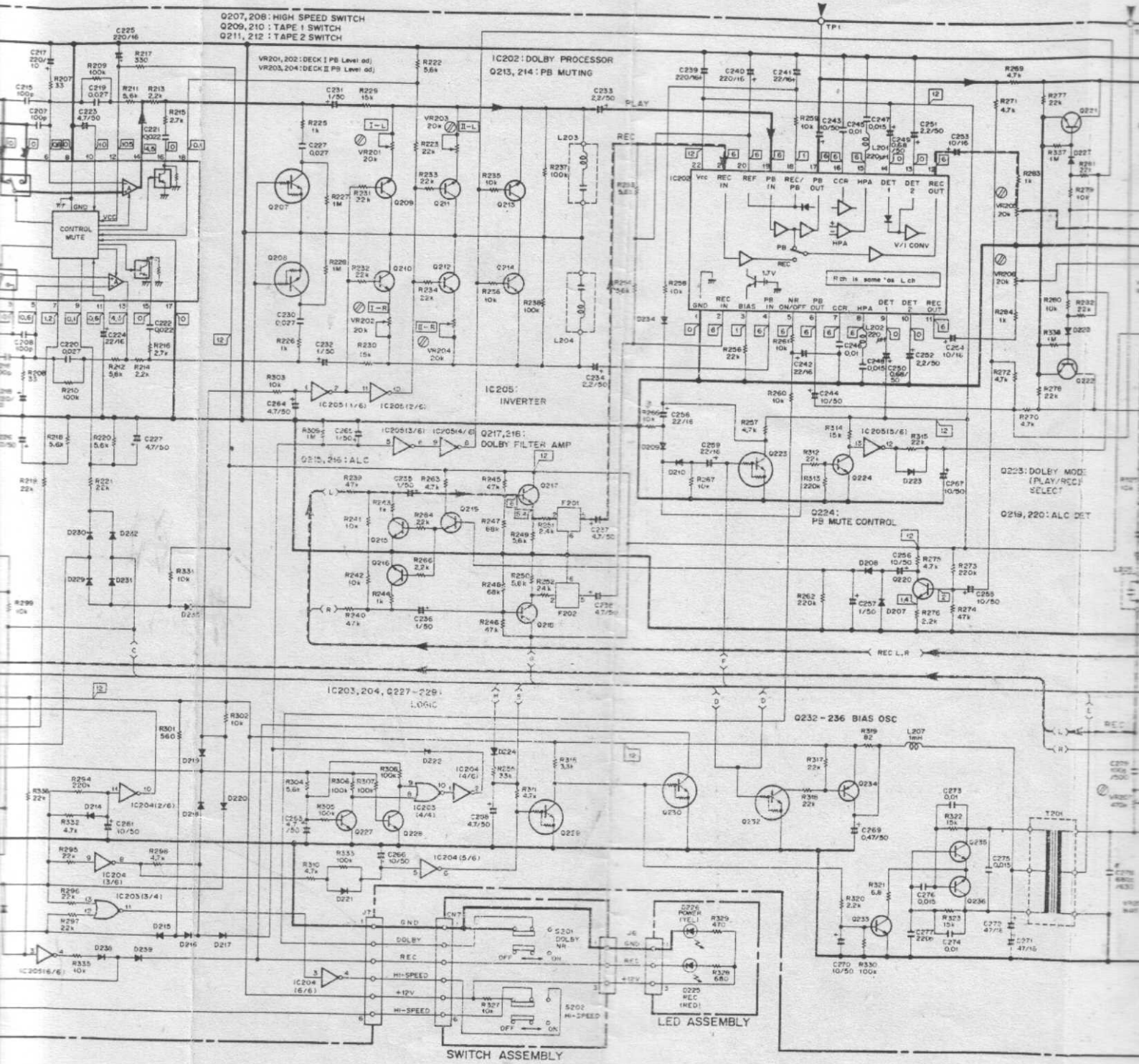
MAIN ASSEMBLY AWZ1289 (1/2)

Q201, 202,
 Q205, 206: HIGH SPEED SWITCH
 Q203-206, Q226: PB/REC HEAD SELECTOR
 IC201: PB EG AMP



MECHANISM CONTROL ASSEMBLY AWZ1309





Q207, 208: HIGH SPEED SWITCH
 Q209, 210: TAPE 1 SWITCH
 Q211, 212: TAPE 2 SWITCH

IC202: DOLBY PROCESSOR
 Q213, 214: PB MUTING

IC205: INVERTER

Q215, 216: ALC
 IC207, 208: HIGH SPEED SWITCH

Q217, 218: DOLBY FILTER AMP

Q224: PS MUTE CONTROL

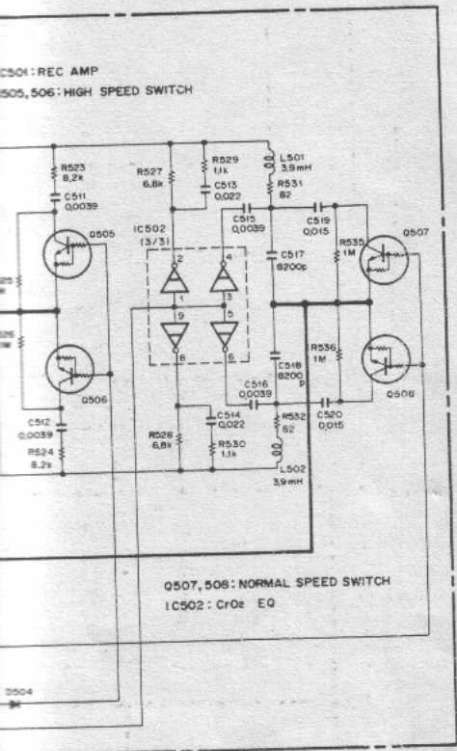
Q223: DOLBY MODE (PLAY/REC) SELECT
 Q219, 220: ALC DET

IC203, 204, Q227-229: LOGIC

Q232-236 BIAS OSC

SWITCH ASSEMBLY

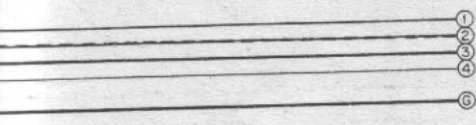
LED ASSEMBLY



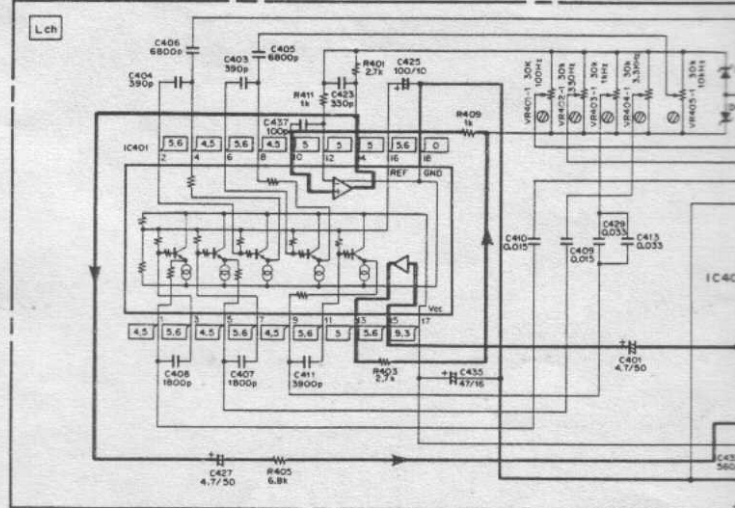
Q507, 506: NORMAL SPEED SWITCH
 IC502: CrO₂ EQ

SWITCH Assembly
 S201, S202 A5G-424

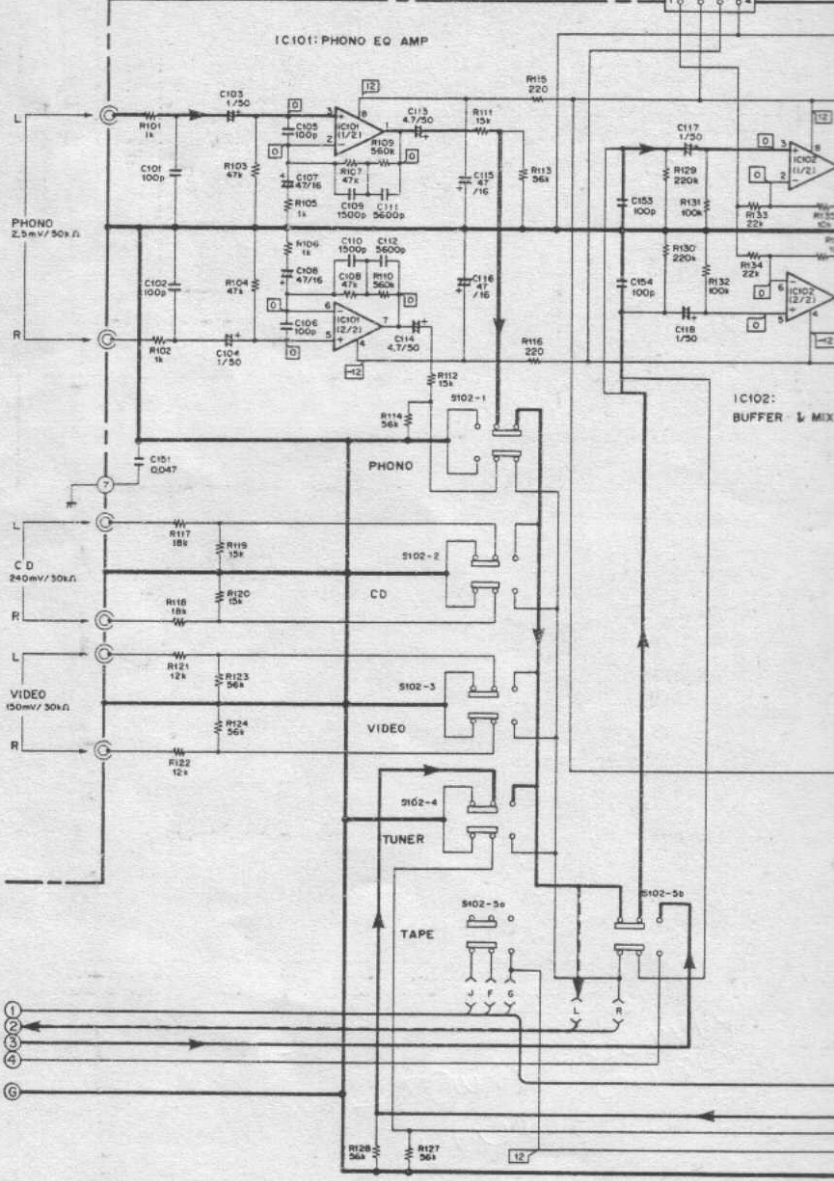
LED Assembly
 D225 AEL-443
 D226 AEL1033

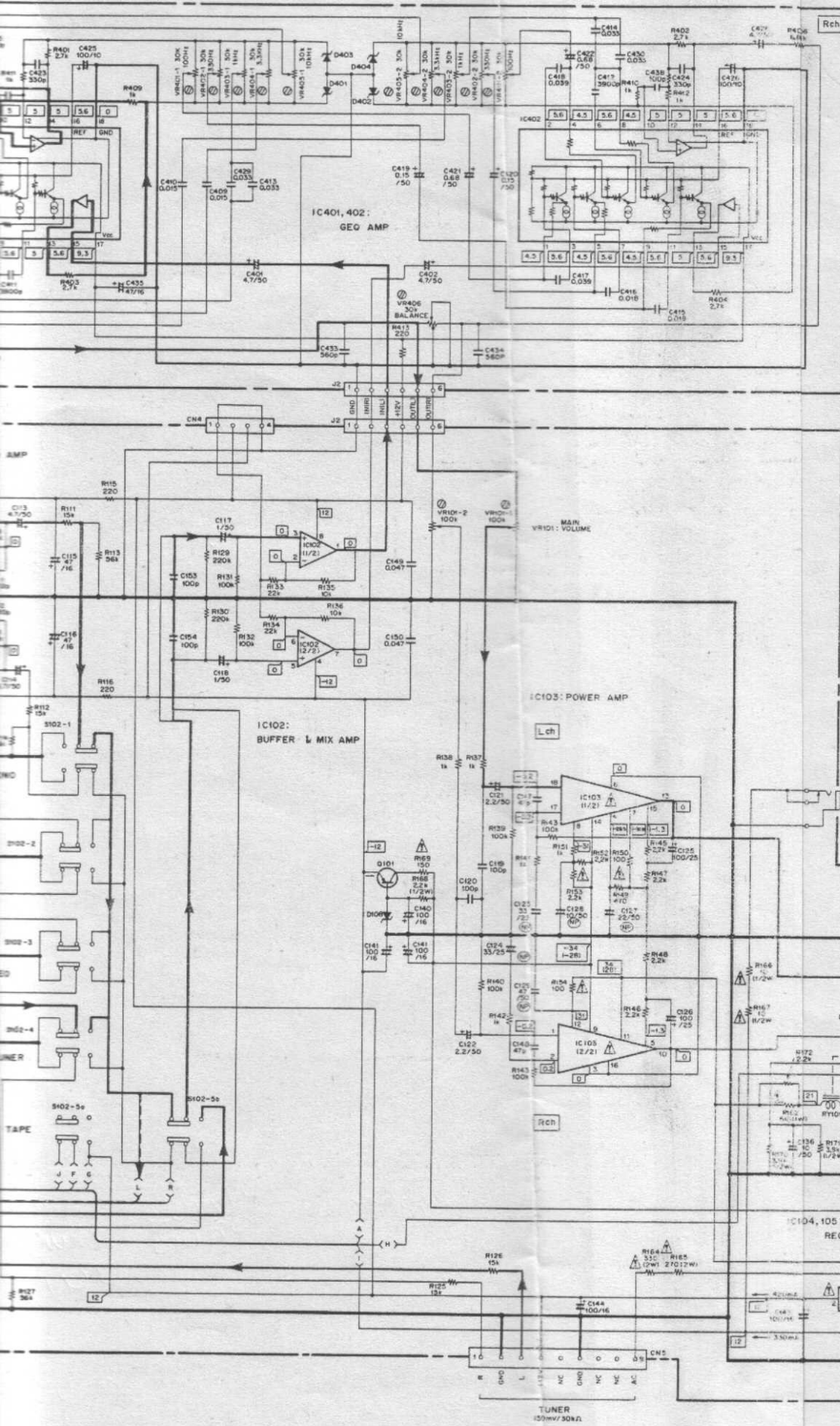


GRAPHIC EQ ASSEMBLY (1/2)



MAIN ASSEMBLY AWZ1289 (2/2)





Main Assembly

IC201	BA3146BL
IC202	HA12086NT
IC101, IC102	M5218P
IC103	STK4141
IC203	TC4001BP
IC204, IC205	TC4069UBP
IC104	UPC78M12H
IC105	uPC7812H
Q226	DTA124ES
Q201, Q202, Q205-Q208, Q223, Q229, Q231, Q232	DTC124ES
Q230	DTC143ES
Q234	Z5A9335
Q101	258B34
Q102, Q103, Q209-Q216, Q219-Q222, Q224, Q227, Q228, Q233, Q217, Q218	25C17405
Q104, Q235, Q236	25C3377
Q203, Q204	25K373
D110	H2515L
D108	RD13EB
Q102-D107	55566
D109, D201-D210, D213-D224, D227-D240	15S131
S101	40484
S101	ASG1005
S101	(ASG1007)
RY101	ASR1005
S102	(ASR-111)
S102	SUJBL22224L
F201, F202	ATF-210
L101, L102	ATH-133
L205, L206	ATM-037
L203, L204	ATM1001
T201	ATX-035
L201, L202	LAU221K
L207	LT102J
C278	ACE-134
C145, C146	ACE1002
C135	AGG1005
C137, C138	ACH-249
VR101	ACU1002
VR201-VR206	VRTM6V203
VR207, VR208	VRTM6V504

Main Assembly

1C201	BA3416BL
1C202	HA12086NT
1C101, 1C102	M5218P
1C103	STK4141
1C203	TC4001BP
1C204, 1C205	TC4069UBP
1C104	uPC78M12H
1C105	uPC7812H
Q226	0TA124ES
Q201, Q202, Q205-Q208, Q223, Q229, Q231, Q232	0TC124ES
Q230	0TC143ES
Q234	2S4933S
Q101	2S8834
Q102, Q103, Q209-Q216, Q219-Q222, Q224, Q227, Q228, Q233	2SC1740S
Q217, Q218	2SC1740SLN
Q104, Q235, Q236	2SC3377
Q203, Q204	2SK1735
Q110	H2S15L
Q108	RD135B
Q102-Q107	S5566
Q109, Q201-Q210, Q213-Q224, Q227-Q240	15S131
Q101	4D4B44
S101	AS6100S
RY101	(AS6100?)
S102	ASR100S
S102	(ASR-111)
S102	SUJ8L22224L
F201, F202	ATF-210
L101, L102	ATM-133
L205, L206	ATM-037
L203, L204	ATM1001
T201	ATX-035
L201, L202	LAU221K
L207	LTA102J
C278	ACE-134
C145, C146	ACG1002
C135	ACG1005
C137, C138	ACH-249
VR101	ACU1002
VR201-VR206	VRTM6V203
VR207, VR208	VRTM6V504

Graphic EQ Assembl

1C401, 1C402	BA3812L
VR401-VR405	ACU1011
D401-D404	RD10E58

- RESISTORS:
Indicated in Ω, 1/4W, 1/6W and 1/8W, ±5% tolerance unless otherwise noted L: 1K1, M: MΩ, F: ±1%, G: ±2%, K: ±10%, (M): ±20% tolerance
- CAPACITORS:
Indicated in capacity (μF)/voltage (V) unless otherwise noted p, pF. Indication without voltage is 50V except electrolytic capacitor.
- VOLTAGE, CURRENT:
V: Signal voltage at 30 W + 30 W, 8Ω output (1 kHz)
V: DC voltage (V) at no input signal Value in () is DC voltage at rated power.
mA: DC current at no input signal
mV: Signal voltage at FM 400 Hz ± 75 kHz DEV.
- OTHERS:
→: Signal route
⊗: Adjusting point.

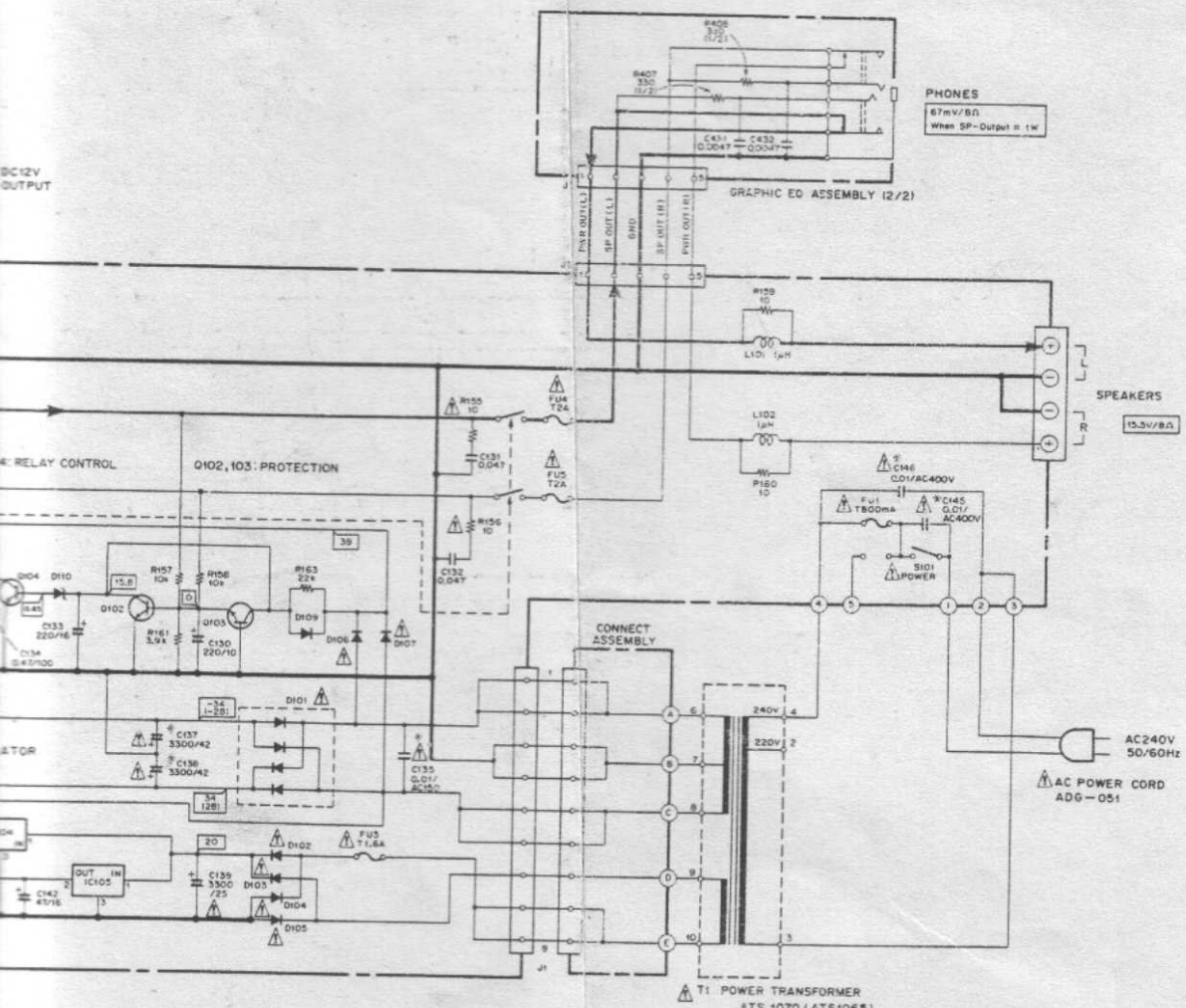
The ⊗ mark found on some component parts indicates the importance of the safety factor of the part. Therefore, when replacing, be sure to use parts of identical designation.
* Marked capacitors and resistors have parts numbers.
The underlined indicates the switch position.

This is the basic schematic diagram, but the actual circuit may vary due to improvements in design.

5. SWITCHES:

THE UNDERLINED INDICATES THE SWITCH POSITION

Main Assembly		
S101	POWER	<u>ON-OFF</u>
S102-1	PHONO	<u>ON-OFF</u>
S102-2	CD	<u>ON-OFF</u>
S102-3	VHS	<u>ON-OFF</u>
S102-4	TUNER	<u>ON-OFF</u>
S102-5	TAPE	<u>ON-OFF</u>
Switch Assembly		
S201	DOLBY NR	<u>ON-OFF</u>
S202	H1-SPEED	<u>ON-OFF</u>



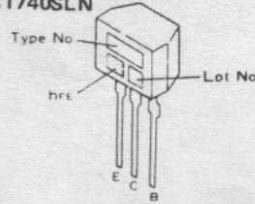
T1: POWER TRANSFORMER
ATS 1070 (ATS1065)

NOTE:
The indicated sem only. Other alterna are listed in the par

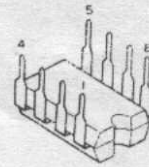
NOTE:
The indicated semiconductors are representative ones only. Other alternative semiconductors may be used and are listed in the parts list.

External Appearance of Transistor and ICs

2SA933S
2SC1740S
2SC1740SLN

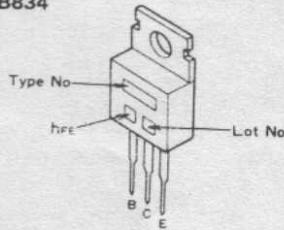


M5218P

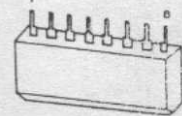


A

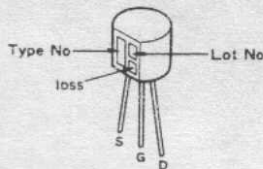
2SB834



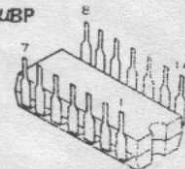
M5218L



2SK373

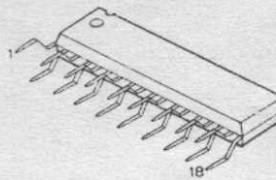


M74LS05P
TC4001BP
TC4069/4BP

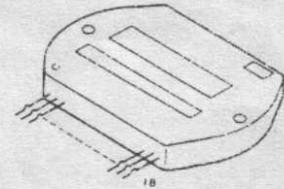


B

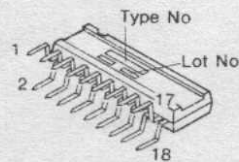
BA3812L



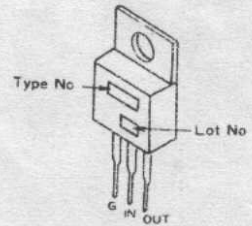
STK4141



BA3416BL

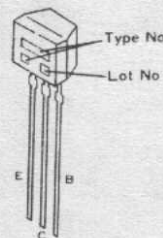


μPC7812H

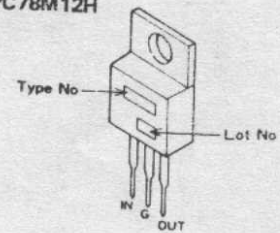


C

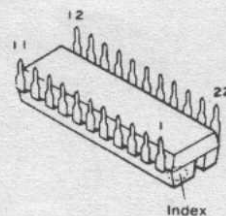
DTA124ES
DTC124ES
DTC143ES



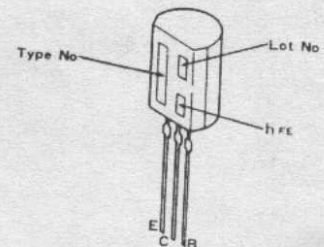
μPC78M12H



HA12086NT



2SC3377



D