

## Service Manual



DDJ-WEGO4-K

ORDER NO.  
RRV4663

### DJ Controller

# DDJ-WEGO4-K DDJ-WEGO4-W

This unit is designed based on the DDJ-WEGO3 model. The major difference is as follows.

- The connecting terminal to the iOS device is changed from 13 pin to USB A.  
The connecting cable to use is changed from the exclusive cable of unit accessory to the cable of iOS device accessory.
- The surface treatment of Aluminum panel and JOG plate is changed. JOG dial painting color is changed.
- EQ knob is changed from HI/MID/LOW 3 band to HI/LOW 2 band and Color FX Filter.
- The signal processing of the MIC is changed from Analog MIX to Digital MIX.

This service manual contains the difference between this model and DDJ-WEGO3 about each item separately.

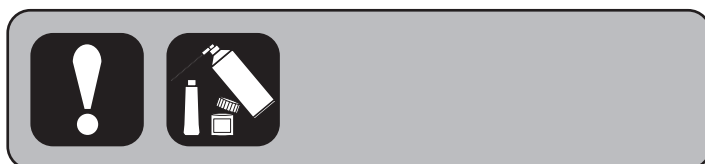
Refer to the service manual of DDJ-WEGO3 about the contents that is not described in this service manual.

### THIS MANUAL IS APPLICABLE TO THE FOLLOWING MODEL(S) AND TYPE(S).

Model	Type	Power Requirement	Remarks
DDJ-WEGO4-K, W	SYXJ	AC 220 V to 240 V	
DDJ-WEGO4-K, W	UXJCB	AC 120 V	
DDJ-WEGO4-K, W	LWPWXJ	AC 110 V to 240 V	
DDJ-WEGO4-K, W	AXJ	AC 220 V	

### THIS SERVICE MANUAL SHOULD BE USED TOGETHER WITH THE FOLLOWING MANUAL(S).

Model	Order No.	Remarks
DDJ-WEGO3-K, W, R	RRV4567	





### Pioneer DJ Corporation

6F, Yokohama i-Mark Place, 4-4-5 Minatomirai, Nishi-ku, Yokohama, Kanagawa 220-0012 JAPAN

# 9. EXPLODED VIEWS AND PARTS LIST

NOTES: ● Parts marked by "NSP" are generally unavailable because they are not in our Master Spare Parts List.

- The  mark found on some component parts indicates the importance of the safety factor of the part. Therefore, when replacing, be sure to use parts of identical designation.
- Screws adjacent to  mark on product are used for disassembly.
- For the applying amount of lubricants or glue, follow the instructions in this manual. (In the case of no amount instructions, apply as you think it appropriate.)

## 9.1 PACKING SECTION

DDJ-WEGO3-K/SYXJ5 and DDJ-WEGO4-K/SYXJ, UXJCB, LWPWXJ and AXJ are constructed the same except for the following:

Mark	No.	Symbol and Description	DDJ-WEGO3-K/SYXJ5	DDJ-WEGO4-K/SYXJ	DDJ-WEGO4-K/UXJCB	Remarks
	1	Power Cord	ADG1154	ADG1154	XDG3052	
	2	AC Adapter	DWR1546	DWR1551	DWR1552	
	4	iPhone/iPad Connection Cable (Lightning)	DDE1145	Not used	Not used	
	5	Operating Instructions (DJ unit Setup) (En, Fe, De, It, NI)	DRH1287	Not used	Not used	
	6	Operating Instructions (DJ unit Setup) (Es, Pt, Ru, Ko, Ja)	DRH1288	Not used	Not used	
	9	Pad/L	DHA1918	DHA1957	DHA1957	
	10	Pad/R	DHA1919	DHA1958	DHA1958	
	11	Partition/ACC	DHC1086	DHC1097	DHC1097	
	12	Packing Case	DHG3373	Not used	Not used	
		Operating Instructions (Quick Start Guide) (En, Fr, De, It, NI, Es, Pt, Ru)	Not used	DRH1405	Not used	No.17
		Operating Instructions (Quick Start Guide) (En)	Not used	Not used	DRH1404	No.18
		Operating Instructions (Quick Start Guide) (En, Es)	Not used	Not used	Not used	No.19
		Operating Instructions (Quick Start Guide) (Zhc)	Not used	Not used	Not used	No.20
		Packing Case	Not used	DHG3497	DHG3497	No.21
		Packing Case	Not used	DHG3503	DHG3498	No.22
		Master carton	DHG3387	DHG3512	DHG3499	No.23
NSP		Leaflet	DRH1376	Not used	Not used	No.24
NSP		Leaflet	DRM1402	DRM1410	DRM1410	No.25
NSP		Leaflet	DRM1403	DRM1417	DRM1417	No.26
NSP		Label	DRW2690	Not used	Not used	No.27
NSP		Label	DRW2702	Not used	Not used	No.28
NSP		Label	Not used	Not used	Not used	No.29
NSP		Warranty	DRY1270	DRY1270	Not used	No.30
NSP		ERRATA	Not used	DRM1418	DRM1418	No.31
NSP		rekordbox dj license key label	Not used	DXA2304	DXA2304	No.32
NSP		VirtualDJ LE 8 license key label	Not used	DXA2328	DXA2328	No.33

Mark	No.	Symbol and Description	DDJ-WEGO3-K/SYXJ5	DDJ-WEGO4-K/LWPWXJ	DDJ-WEGO4-K/AXJ	Remarks
△	1	Power Cord	ADG1154	ADG1154	ADG7079	
△	2	AC Adapter	DWR1546	DWR1551	DWR1551	
	4	iPhone/iPad Connection Cable (Lightning)	DDE1145	Not used	Not used	A
	5	Operating Instructions (DJ unit Setup) (En, Fe, De, It, NI)	DRH1287	Not used	Not used	
	6	Operating Instructions (DJ unit Setup) (Es, Pt, Ru, Ko, Ja)	DRH1288	Not used	Not used	
	9	Pad/L	DHA1918	DHA1957	DHA1957	
	10	Pad/R	DHA1919	DHA1958	DHA1958	
	11	Partition/ACC	DHC1086	DHC1097	DHC1097	
	12	Packing Case	DHG3373	Not used	Not used	
		Operating Instructions (Quick Start Guide) (En, Fr, De, It, NI, Es, Pt, Ru)	Not used	Not used	Not used	No.17
		Operating Instructions (Quick Start Guide) (En)	Not used	Not used	Not used	No.18
		Operating Instructions (Quick Start Guide) (En, Es)	Not used	DRH1407	Not used	No.19
		Operating Instructions (Quick Start Guide) (Zhcn)	Not used	Not used	DRH1409	No.20
		Packing Case	Not used	DHG3497	DHG3501	No.21
		Packing Case	Not used	DHG3504	DHG3506	No.22
		Master carton	DHG3387	DHG3513	DHG3515	No.23
NSP		Leaflet	DRH1376	Not used	Not used	No.24
NSP		Leaflet	DRM1402	DRM1410	DRM1410	No.25
NSP		Leaflet	DRM1403	DRM1417	DRM1417	No.26
NSP		Label	DRW2690	Not used	Not used	No.27
NSP		Label	DRW2702	Not used	Not used	No.28
NSP		Label	Not used	Not used	DRW2711	No.29
NSP		Warranty	DRY1270	Not used	Not used	No.30
NSP		ERRATA	Not used	DRM1418	DRM1418	No.31
NSP		rekordbox dj license key label	Not used	DXA2304	DXA2304	No.32
NSP		VirtualDJ LE 8 license key label	Not used	DXA2328	DXA2328	No.33

D

E

F

DDJ-WEGO3-W/SYXJ5 and DDJ-WEGO4-W/SYXJ, UXJCB, LWPWXJ and AXJ are constructed the same except for the following:

Mark	No.	Symbol and Description	DDJ-WEGO3-W/SYXJ5	DDJ-WEGO4-W/SYXJ	DDJ-WEGO4-W/UXJCB	Remaks	
A	1	Power Cord	ADG1154	ADG1154	XDG3052		
	2	AC Adapter	DWR1546	DWR1551	DWR1552		
	4	iPhone/iPad Connection Cable (Lightning)	DDE1145	Not used	Not used		
	5	Operating Instructions (DJ unit Setup) (En, Fe, De, It, NI)	DRH1287	Not used	Not used		
	6	Operating Instructions (DJ unit Setup) (Es, Pt, Ru, Ko, Ja)	DRH1288	Not used	Not used		
	9	Pad/L	DHA1918	DHA1957	DHA1957		
	10	Pad/R	DHA1919	DHA1958	DHA1958		
	11	Partition/ACC	DHC1086	DHC1097	DHC1097		
	12	Packing Case	DHG3369	Not used	Not used		
	B		Operating Instructions (Quick Start Guide) (En, Fr, De, It, NI, Es, Pt, Ru)	Not used	DRH1405	Not used	No.17
			Operating Instructions (Quick Start Guide) (En)	Not used	Not used	DRH1404	No.18
			Operating Instructions (Quick Start Guide) (En, Es)	Not used	Not used	Not used	No.19
		Operating Instructions (Quick Start Guide) (Zhc)	Not used	Not used	Not used	No.20	
		Packing Case	Not used	DHG3500	DHG3500	No.21	
		Packing Case	Not used	DHG3508	DHG3507	No.22	
C		Master carton	DHG3387	DHG3517	DHG3516	No.23	
	NSP	Leaflet	DRH1376	Not used	Not used	No.24	
	NSP	Leaflet	DRM1402	DRM1410	DRM1410	No.25	
	NSP	Leaflet	DRM1403	DRM1417	DRM1417	No.26	
	NSP	Label	DRW2690	Not used	Not used	No.27	
	NSP	Label	DRW2702	Not used	Not used	No.28	
	NSP	Label	Not used	Not used	Not used	No.29	
	NSP	Warranty	DRY1270	DRY1270	Not used	No.30	
	NSP	ERRATA	Not used	DRM1418	DRM1418	No.31	
	NSP	rekordbox dj license key label	Not used	DXA2304	DXA2304	No.32	
D	NSP	VirtualDJ LE 8 license key label	Not used	DXA2328	DXA2328	No.33	

Mark	No.	Symbol and Description	DDJ-WEGO3-W/SYXJ5	DDJ-WEGO4-W/LWPWXJ	DDJ-WEGO4-W/AXJ	Remarks
△	1	Power Cord	ADG1154	ADG1154	ADG7079	
△	2	AC Adapter	DWR1546	DWR1551	DWR1551	
	4	iPhone/iPad Connection Cable (Lightning)	DDE1145	Not used	Not used	A
	5	Operating Instructions (DJ unit Setup) (En, Fe, De, It, NI)	DRH1287	Not used	Not used	
	6	Operating Instructions (DJ unit Setup) (Es, Pt, Ru, Ko, Ja)	DRH1288	Not used	Not used	
	9	Pad/L	DHA1918	DHA1957	DHA1957	
	10	Pad/R	DHA1919	DHA1958	DHA1958	
	11	Partition/ACC	DHC1086	DHC1097	DHC1097	
	12	Packing Case	DHG3369	Not used	Not used	
		Operating Instructions (Quick Start Guide) (En, Fr, De, It, NI, Es, Pt, Ru)	Not used	Not used	Not used	No.17
		Operating Instructions (Quick Start Guide) (En)	Not used	Not used	Not used	No.18
		Operating Instructions (Quick Start Guide) (En, Es)	Not used	DRH1407	Not used	No.19
		Operating Instructions (Quick Start Guide) (Zhcn)	Not used	Not used	DRH1409	No.20
		Packing Case	Not used	DHG3500	DHG3502	No.21
		Packing Case	Not used	DHG3509	DHG3511	No.22
		Master carton	DHG3387	DHG3518	DHG3520	No.23
NSP		Leaflet	DRH1376	Not used	Not used	No.24
NSP		Leaflet	DRM1402	DRM1410	DRM1410	No.25
NSP		Leaflet	DRM1403	DRM1417	DRM1417	No.26
NSP		Label	DRW2690	Not used	Not used	No.27
NSP		Label	DRW2702	Not used	Not used	No.28
NSP		Label	Not used	Not used	DRW2712	No.29
NSP		Warranty	DRY1270	Not used	Not used	No.30
NSP		ERRATA	Not used	DRM1418	DRM1418	No.31
NSP		rekordbox dj license key label	Not used	DXA2304	DXA2304	No.32
NSP		VirtualDJ LE 8 license key label	Not used	DXA2328	DXA2328	No.33

D

E

F

### 9.2 EXTERIOR SECTION

DDJ-WEGO3-K/SYXJ5 and DDJ-WEGO4-K/SYXJ, UXJCB, LWPWXJ and AXJ are constructed the same except for the following:

A

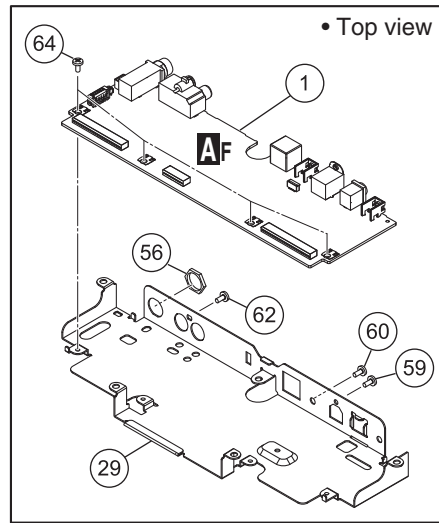
Mark	No.	Symbol and Description	DDJ-WEGO3-K/SYXJ5	DDJ-WEGO4-W/SYXJ DDJ-WEGO4-K/UXJCB DDJ-WEGO4-K/LWPWXJ DDJ-WEGO4-K/AXJ	Remaks
	1	MAIN Assy	DWX3591	DWX3933	
	12	Plate/JOG	DAH2999	DAH3129	
	15	Jog Dial/ASW	DXB2160	DXB2166	
	22	Button/CUE	DAC3012	DAC3255	
	23	Sheet/TML	DAH3001	DAH3127	
⚠	27	Panel/AL	DNB1236	DNB1250	
	38	Panel/BS Screw	DXB2159 Not used	DXB2180 ABZ30P060FTC	No.64

B

DDJ-WEGO3-W/SYXJ5 and DDJ-WEGO4-W/SYXJ, UXJCB, LWPWXJ and AXJ are constructed the same except for the following:

Mark	No.	Symbol and Description	DDJ-WEGO3-W/SYXJ5	DDJ-WEGO4-W/SYXJ DDJ-WEGO4-W/UXJCB DDJ-WEGO4-W/LWPWXJ DDJ-WEGO4-W/AXJ	Remaks
	1	MAIN Assy	DWX3591	DWX3933	
	12	Plate/JOG	DAH2999	DAH3130	
	22	Button/CUE	DAC3007	DAC3256	
	23	Sheet/TML	DAH3000	DAH3128	
	27	Panel/AL	DNB1235	DNB1251	
⚠	38	Panel/BS Screw	DXB2158 Not used	DXB2181 ABZ30P060FTC	No.64

C



D

E

F

# 12. PCB PARTS LIST

NOTES: ● Parts marked by "NSP" are generally unavailable because they are not in our Master Spare Parts List.

● The  $\Delta$  mark found on some component parts indicates the importance of the safety factor of the part. Therefore, when replacing, be sure to use parts of identical designation.

● When ordering resistors, first convert resistance values into code form as shown in the following examples.

Ex.1 When there are 2 effective digits (any digit apart from 0), such as 560 ohm and 47 k ohm (tolerance is shown by J = 5%, and K = 10%).

560  $\Omega$  → 56 × 10<sup>1</sup> → 561 ..... RD1/APU  $\boxed{5}$   $\boxed{6}$   $\boxed{7}$  J

47 k $\Omega$  → 47 × 10<sup>3</sup> → 473 ..... RD1/APU  $\boxed{4}$   $\boxed{7}$   $\boxed{3}$  J

0.5  $\Omega$  → R50 ..... RN2H  $\boxed{R}$   $\boxed{5}$   $\boxed{0}$  K

1  $\Omega$  → 1R0 ..... RSIP  $\boxed{7}$   $\boxed{R}$   $\boxed{0}$  K

Ex.2 When there are 3 effective digits (such as in high precision metal film resistors).

5.62 k $\Omega$  → 562 × 10<sup>1</sup> → 5621 ..... RN1/4PC  $\boxed{5}$   $\boxed{6}$   $\boxed{2}$   $\boxed{1}$  F

Mark No.	Description	Part No.	Mark No.	Description	Part No.
<b>LIST OF ASSEMBLIES</b>					
	1..MAIN ASSY	DWX3933	NSP	1..PNL2 ASSY	DWM2544
				2..PNL2B ASSY *2	DWX3595
NSP	1..PNL1 ASSY	DWM2543	NSP	2..JOG2 ASSY *2	DWX3596
	2..PNL1B ASSY *1	DWX3592			
NSP	2..JOG1 ASSY *1	DWX3593			
	2..HPJK ASSY	DWX3594			
	2..CRFD ASSY	DWX3597			

\*1: As the PNL1B Assy and JOG1 Assy are wired with jumper leads.

If a DWX3592 (PNL1B Assy) is ordered, the PNL1B Assy and JOG1 Assy wired with jumper leads will be delivered. The part supply is impossible in JOG1 Assy alone (NSP: non-service part).

\*2: As the PNL2B Assy and JOG2 Assy are wired with jumper leads.

If a DWX3595 (PNL2B Assy) is ordered, the PNL2B Assy and JOG2 Assy wired with jumper leads will be delivered. The part supply is impossible in JOG2 Assy alone (NSP: non-service part).

Mark No.	Description	Part No.	Mark No.	Description	Part No.
			Q	127,224,225	RN1903S1
			Q	201,205,211,218	LTC024EEB
			Q	207,209,213,713	LSAR523UB
			Q	216,219,411,705	LSCR523UB
			$\Delta$ Q	401	RTQ045N03
			Q	403,406,409,704	LTC024EEB
			Q	407,408,412	RN4983S1
			Q	413	LTC124EUB
			Q	706,711	LSCR523UB
			Q	707,708	IMX9
			Q	710,720	LTC024EEB
			Q	712	LTA024EEB
			D	101,203,206,210	RB551VM-30
			D	104,111	RB060M-30
			D	106,108,112,115	DA2J101
			$\Delta$ D	107	RB060M-30
			D	110	DZ2J150M0
			D	113,218	DZ2J051M0
			D	114,214	DAN202UM
			D	119,202,212,215	DA2J101
			D	123,124	DZ2J062M0
			$\Delta$ D	207-209	RB551VM-30
			D	216	DZ2J075M0
			D	217,401,404,702	DA2J101
			D	219-221	DZ2J056M0
			D	222,705,708	RB551VM-30
			D	704	DA2J101
$\Delta$	Q	105,112,113,203			
$\Delta$	Q	107,116			
	Q	108,111,114,128			
	IC	201,205		BD9328EFJ	
	IC	202,208,211		MM3411A33N	
	IC	203		S-1172B1C-U5	
	IC	204,210		MM1856A50N	
	IC	206		TPS2557DRB	
	IC	207		NJM2392M	
	IC	209		S-80942CNMC-G9C	
NSP	IC	401		R5S72690RW266FP	
	IC	402		DYW1961	
	IC	403		H337S3959	
	IC	404		S-80927CNMC-G8X	
	IC	405		TS3USB30RSW	
	IC	407,408		74VHC4051AFT	
	IC	701,703		AK4387ET	
	IC	702		NJM4565MD	
	IC	705		NJM4580MD	
	IC	706		BH3547F	
	IC	708		AK5358AET	
	Q	101,115,202,206		LSCR523UB	
	Q	103,402,410,709		LTA024EEB	
$\Delta$	Q	105,112,113,203		RTQ040P02	
$\Delta$	Q	107,116		RSQ035P03	
	Q	108,111,114,128		LTC024EEB	

Mark	No.	Description	Part No.	Mark	No.	Description	Part No.
------	-----	-------------	----------	------	-----	-------------	----------

**MISCELLANEOUS**

A

L 104,105	COIL	ATH7015
L 202	INDUCTOR	CTH1253
L 205	POWER INDUCTOR	ATH7053
L 206	COIL	CTH1475
L 402-405	INDUCTOR	CTF1793

R 450	RS1/16SS5601D
R 451	RS1/16SS2402D
R 467	RAB4CQ472J
R 506	RAB4CQ221J
R 545,761,790	RS1/10SR0R0J

L 406-409	INDUCTOR	CTF1545
L 704-709,727	INDUCTOR	CTF1778
L 710	INDUCTOR	CTF1786
JA 101	USB CONNECTOR	DKN1237
JA 102	DC POWER JACK	DKN1649

R 707	RS1/10SR1501D
R 709	RS1/10SR6802D
R 710	RS1/16SS1801D
R 711,794	RS1/16SS3301D
R 722,727	RS1/10SR100J

B

JA 106	USB JACK	DKB1118
JA 702	PIN JACK(2P)	AKB7181
JA 703	6.5 DIA JACK	DKN1653
KN 106	SCREW PLATE	VNE1948
KN 107	HOLDER	DNH3290

R 724	RS1/16SS9101D
R 728,837	RS1/10SR7500D
R 740,741	RS1/10SR4701D
R 746,747	RS1/10SR271J
R 750,751	RS1/10SR1002D

C

X 401	CRYSTAL RESONATOR	CSS1840
X 402	RESONATOR	CSS1760
X 403	CRYSTAL(24.576MHZ)	DSS1204
CN 101,102	39P CONNECTOR	VKN2098
CN 103	15P CONNECTOR	VKN1275

R 752,753	RS1/10SR3301D
R 775	RS1/10SR473J
R 780,781,783,785	RS1/10SR331J
R 836	RS1/10SR1001D
Other Resistors	RS1/16SS###J

**CAPACITORS**

C



JH 101	7P CABLE HOLDER	51048-0700
JP 101	JUMPER WIRE	D20PDY0720E
JP 102	BOARD IN JUMPER/3P	DKP3957
P 101	PROTECTOR(1.250A)	DEK1123
P 102	PROTECTOR(3.000A)	DEK1103
P 203	PROTECTOR(0.500A)	DEK1095
VA 103,701,702	VARISTORS	EZJZ1V270RM

C 102,116,216,220	CKSRBY103K50
C 104,128,204,229	DCH1201
C 106,107	CCSSCH470J50
C 109	CKSRBY474K16
C 111	CKSQYB474K25

D

**RESISTORS**

R 101,110	RS1/10SR101J
R 103,138	RS1/10SR1801D
R 113,116,119,202	RS1/10SR103J
R 120,737,738,774	RS1/10SR473J
R 121,206,528	RS1/10SR104J

C 117,701,781	CKSRBY104K50
C 118,122,124,126	CKSRBY104K16
C 120,130,254,521	CKSQYB105K25
C 125	CKSRBY102K50
C 129,201,230,261	CCH1565

R 134,145	RS1/16SS2702D
R 148,153,154,208	RS1/10SR0R0J
R 207,250	RS1/10SR220J
R 218,248,401,402	RS1/10SR0R0J
R 219,252	RS1/4SA100J

C 144,148,152-157	CKSSYB102K50
C 145,242,249,285	CKSSYB104K10
C 151	CKSQYB104K25
C 202,203,231	CCG1221
C 205,213,214,218	CKSRBY104K16

E

R 221	RS1/16SS8200D
R 222	RS1/16SS4702D
R 223,242	RS1/16SS1002D
R 224,226	RS1/4SA1R5J
R 231	RS1/4SA271J

C 206,210,211,215	CKSRBY105K10
C 209	CKSQYB105K10
C 217,226,232,243	CKSRBY105K10
C 233,235,236,240	CKSRBY104K16
C 234,712,721,731	CEVW470M6R3

E

R 232	RS1/10SR221J
R 234	RS1/16SS4302D
R 238	RS1/16SS1201D
R 240	RS1/16SS7501D
R 241	RS1/16SS3902D

C 239,253,255,256	DCH1201
C 241,714,716,720	CKSRBY104K16
C 244	CCSRCH121J50
C 245,250,727,728	CKSRBY103K50
C 252,267,270	CEVW471M10

F

R 243,527,776,777	RS1/10SR102J
R 245	RS1/16SS1802F
R 246	RS1/16SS3901D
R 247,833	RS1/10SR472J
R 251	RS1/10SR103J

C 257	CCSRCH221J50
C 258,719,724	CEVW101M16
C 262,274,280,284	CKSRBY105K10
C 264,422,425,430	DCH1201
C 269	CEVW470M16

R 259,267	RS1/4SA0R0J
R 260	RS1/4SA471J
R 292	RS1/8SQ0R0J
R 304	RS1/16SS39R0D
R 403,405,507	RAB4CQ560J

C 286,745	CCSSCH221J50
C 287,290,729,742	CKSRBY105K10
C 401,404	CEHVV470M6R3
C 407-421,442,443	CKSSYB103K16
C 423,426,429,431	CKSSYB104K10

C 424,427,428,432	CKSSYB102K50
C 433,436,439,444	DCH1201
C 434,437,440,445	CKSSYB104K10



Mark No.	Description	Part No.
C 435,438,441,446		CKSSYB102K50
C 448-467,487,491		CKSSYB103K16
C 468-481,483-486		CCSSCH101J50
C 482,496,513,514		CKSSYB471K50
C 492,500,501,504		CKSSYB103K16
C 493-495,522,523		CKSSYB104K10
C 497-499,502,503		CCSSCH101J50
C 505-512		CCSSCH101J50
C 515-517,519,520		CCSSCH120J50
C 518		CCSSCH100D50
C 524,526		CKSSYB222K50
C 525,527,532,540		CKSSYB104K10
C 528,529,533-538		CKSSYB102K50
C 541-546,708,709		CKSSYB102K50
C 702,715,730,734		CCSRCH102J50
C 704,749,750		CCSRCH471J50
C 705		CKSRYP332K50
C 706,710,747,748		CKSSYB103K16
C 707		ACG1147
C 717,718		CCSRCH222J50
C 722,723,725,726		CKSRYP104K16
C 732,733,765,804		DCH1201
C 735,766		CEVW470M6R3
C 739,740,773,774		CEVW220M16
C 743,785		CKSRYP105K10
C 751,752		CCSRCH101J50
C 753		CKSQYB475K6R3
C 755,761		DCH1156
C 782,786		CCSRCH102J50
C 783,814		CKSSYB103K16
C 784		CEVW331M6R3
C 806,809,811		CKSSYB104K10
C 807		DCH1263
C 808,810		DCH1201

A

B

C

D

E

F