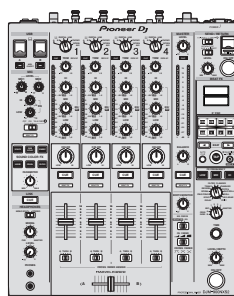


Pioneer Dj

Service Manual



DJM-900NXS2

ORDER NO.
RRV4644

DJ MIXER

DJM-900NXS2

THIS MANUAL IS APPLICABLE TO THE FOLLOWING MODEL(S) AND TYPE(S).

Model	Type	Power Requirement	Remarks
DJM-900NXS2	LSYXJ	AC 110 V to 240 V	
DJM-900NXS2	UXJCB	AC 110 V to 240 V	
DJM-900NXS2	XJCN	AC 220 V	
DJM-900NXS2	JXJ	AC 100 V	

This service manual should be used together with the following manual(s).

Model No.	Order No.	Remarks
DJM-900NXS2	RRV4643	BLOCK DIAGRAM, EXPLODED VIEWS AND PARTS LIST etc.



PIONEER CORPORATION 1-1, Shin-ogura, Saiwai-ku, Kawasaki-shi, Kanagawa 212-0031, Japan
PIONEER ELECTRONICS (USA) INC. P.O. Box 1760, Long Beach, CA 90801-1760, U.S.A.
PIONEER EUROPE NV Haven 1087, Keetberglaan 1, 9120 Melsele, Belgium
PIONEER ELECTRONICS ASIACENTRE PTE. LTD. 2 Jalan Kilang Barat, #07-01, Singapore 159346
©Pioneer DJ Corporation 2016

K-ZZZ FEB. 2016 Printed in Japan

SAFETY INFORMATION

A



This service manual is intended for qualified service technicians; it is not meant for the casual do-it-yourselfer. Qualified technicians have the necessary test equipment and tools, and have been trained to properly and safely repair complex products such as those covered by this manual.

Improperly performed repairs can adversely affect the safety and reliability of the product and may void the warranty. If you are not qualified to perform the repair of this product properly and safely, you should not risk trying to do so and refer the repair to a qualified service technician.

WARNING

This product may contain a chemical known to the State of California to cause cancer, or birth defects or other reproductive harm.

Health & Safety Code Section 25249.6 - Proposition 65

C

D

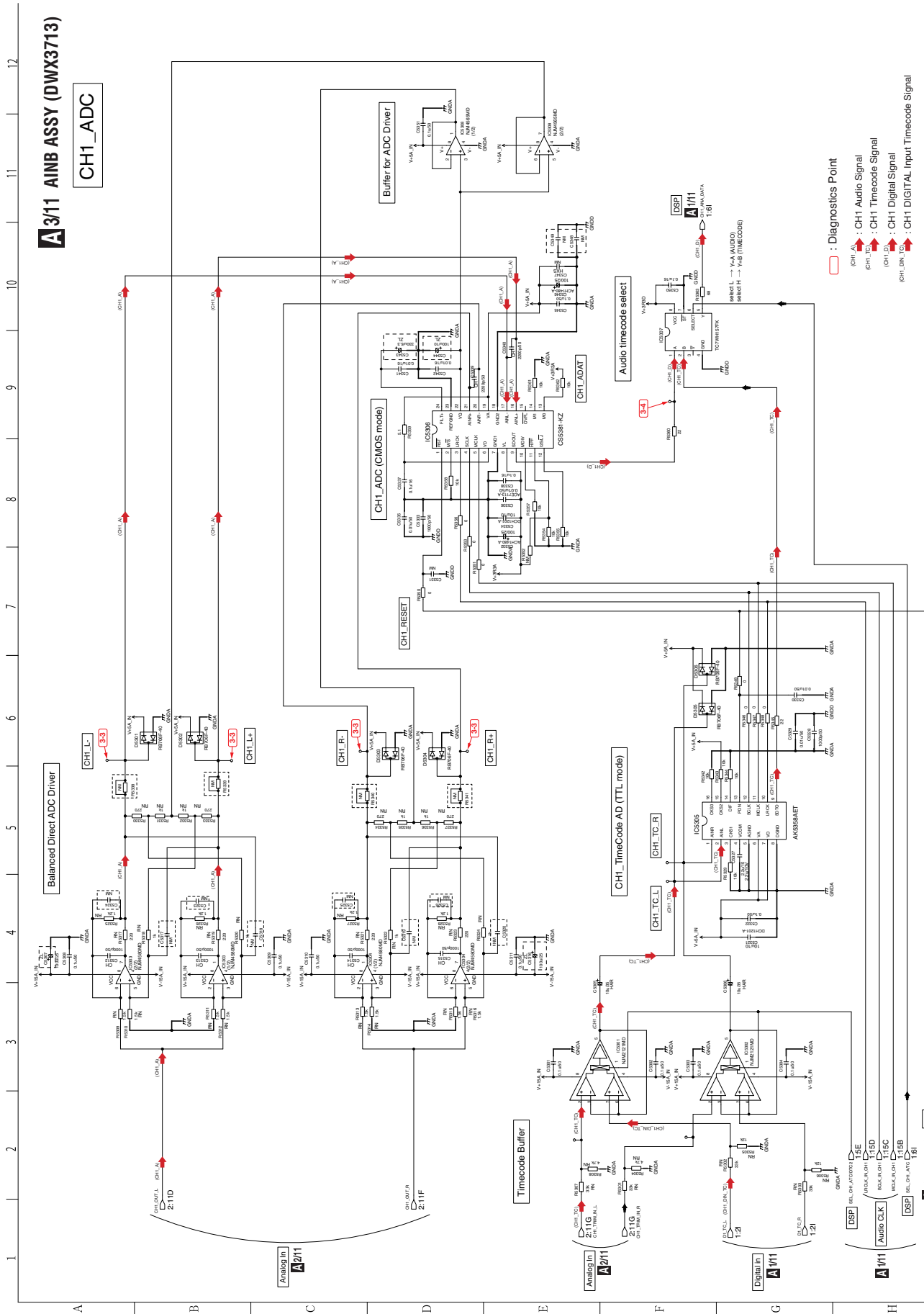
E

F

CONTENTS

SAFETY INFORMATION.....	2	
10. SCHEMATIC DIAGRAM.....	4	
10.1 OVERALL WIRING DIAGRAM.....	4	A
10.2 AINB ASSY (1/11).....	5	
10.3 AINB ASSY (2/11).....	6	
10.4 AINB ASSY (3/11).....	7	
10.5 AINB ASSY (4/11).....	8	
10.6 AINB ASSY (5/11).....	9	
10.7 AINB ASSY (6/11).....	10	
10.8 AINB ASSY (7/11).....	11	
10.9 AINB ASSY (8/11).....	12	
10.10 AINB ASSY (9/11).....	13	
10.11 AINB ASSY (10/11).....	14	
10.12 AINB ASSY (11/11).....	15	
10.13 TRM1 to TRM4 and MTRM ASSYS.....	16	B
10.14 MAIN ASSY (1/24).....	17	
10.15 MAIN ASSY (2/24).....	18	
10.16 MAIN ASSY (3/24).....	19	
10.17 MAIN ASSY (4/24).....	20	
10.18 MAIN ASSY (5/24).....	21	
10.19 MAIN ASSY (6/24).....	22	
10.20 MAIN ASSY (7/24).....	23	
10.21 MAIN ASSY (8/24).....	24	
10.22 MAIN ASSY (9/24).....	25	
10.23 MAIN ASSY (10/24).....	26	
10.24 MAIN ASSY (11/24).....	27	
10.25 MAIN ASSY (12/24).....	28	C
10.26 MAIN ASSY (13/24).....	29	
10.27 MAIN ASSY (14/24).....	30	
10.28 MAIN ASSY (15/24).....	31	
10.29 MAIN ASSY (16/24).....	32	
10.30 MAIN ASSY (17/24).....	33	
10.31 MAIN ASSY (18/24).....	34	
10.32 MAIN ASSY (19/24).....	35	
10.33 MAIN ASSY (20/24).....	36	
10.34 MAIN ASSY (21/24).....	37	
10.35 MAIN ASSY (22/24).....	38	
10.36 MAIN ASSY (23/24).....	39	
10.37 MAIN ASSY (24/24).....	40	D
10.38 REGB and USBP ASSYS.....	41	
10.39 USBC, USBB and SEND ASSYS.....	42	
10.40 HPPW ASSY.....	43	
10.41 HPJK and HPJM ASSYS.....	44	
10.42 PNLA (1/3) and FAD1 to FAD4 ASSYS.....	45	
10.43 PNLA ASSY (2/3).....	46	
10.44 PNLA ASSY (3/3).....	47	
10.45 CDCB ASSY.....	48	
10.46 PNLB and CRFD ASSYS.....	49	
10.47 SW POWER SUPPLY (1/3) and ACSW ASSYS.....	50	
10.48 SW POWER SUPPLY (2/3).....	51	E
10.49 SW POWER SUPPLY (3/3).....	52	
11. PCB CONNECTION DIAGRAM.....	53	
11.1 AINB ASSY.....	53	
11.2 TRM1 to TRM4 and MTRIM ASSYS.....	55	
11.3 MAIN ASSY.....	57	
11.4 REGB, USBP, USBC, USBB and SEND ASSYS.....	60	
11.5 HPPW, HPJK and HPJM ASSY.....	62	
11.6 PNLA ASSY.....	64	
11.7 FAD1 to FAD4 ASSYS.....	66	
11.8 CDCB ASSY.....	67	
11.9 PNLB ASSY.....	68	
11.10 SW POWER SUPPLY, ACSW and GRDM ASSYS.....	70	F
12. PCB PARTS LIST.....	72	

10.4 AINB ASSY (3/11)



A 3/11 AINB ASSY (DWX3713)

CH1_ADC

Balanced Direct ADC Driver

Timecode Buffer

DJM-900XS2

CH1_TimeCode AD (TTL mode)

Buffer for ADC Driver

Audio timecode select

- : Diagnosics Point
- CH1_A : CH1 Audio Signal
- CH1_B : CH1 Timecode Signal
- CH1_C : CH1 Digital Signal
- CH1_D : CH1 DIGITAL Input Timecode Signal

A3/11

A3/11

A 1/11, 5/11, 11/11 [AM] [REVISION] 1:15E:52H:11:2F

10.5 AINB ASSY (4/11)

1

2

3

4

A

B

C

D

E

F

G

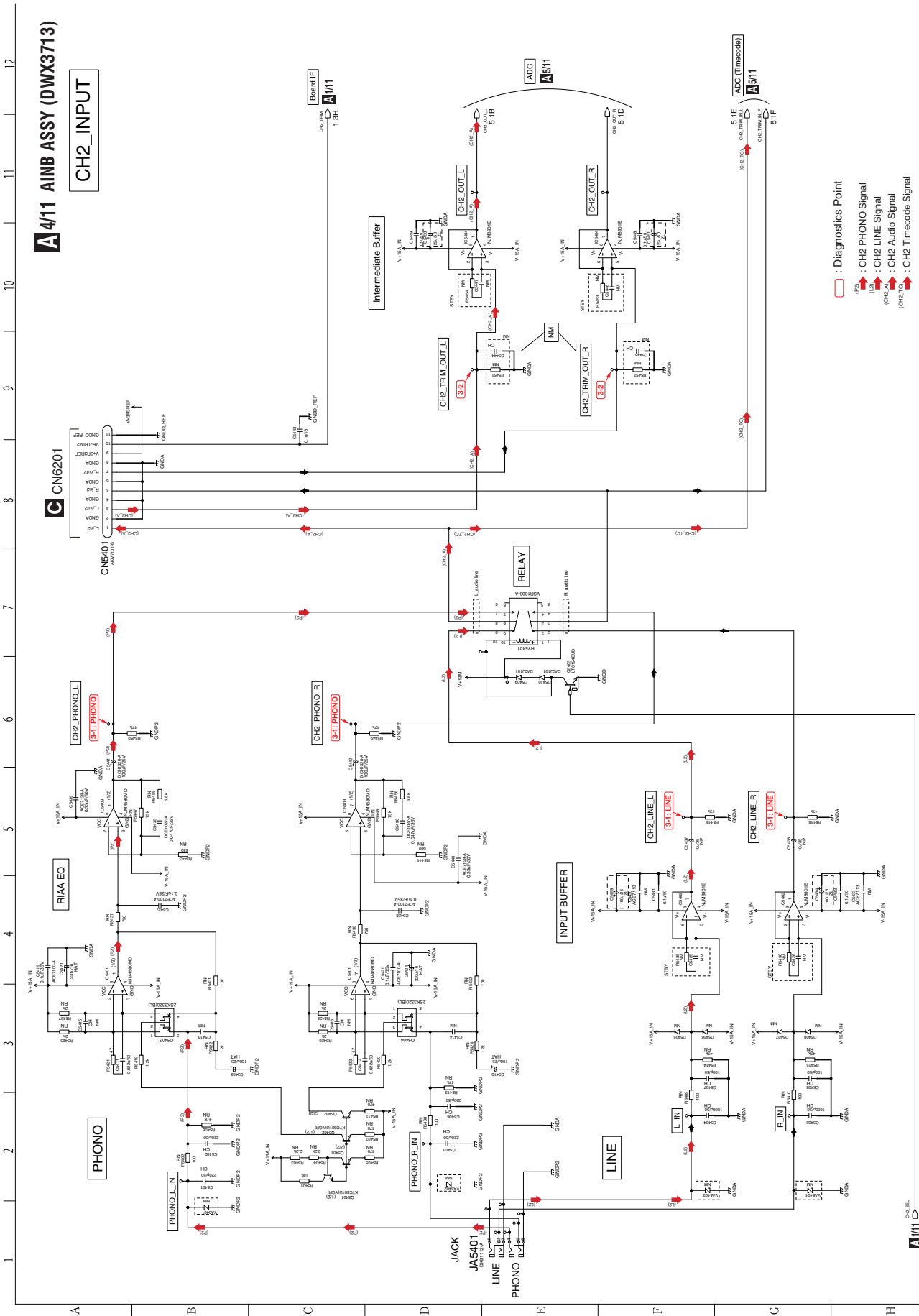
H

A 4/11 AINB ASSY (DWX3713)

CH2_INPUT

A 4/11

A 4/11



- : Diagnostics Point
- ▶ (P2) : CH2 PHONO Signal
- ▶ (L2) : CH2 LINE Signal
- ▶ (O2) : CH2 Audio Signal
- ▶ (CH2-TD) : CH2 Timecode Signal

DJM-900NXS2

1.8H

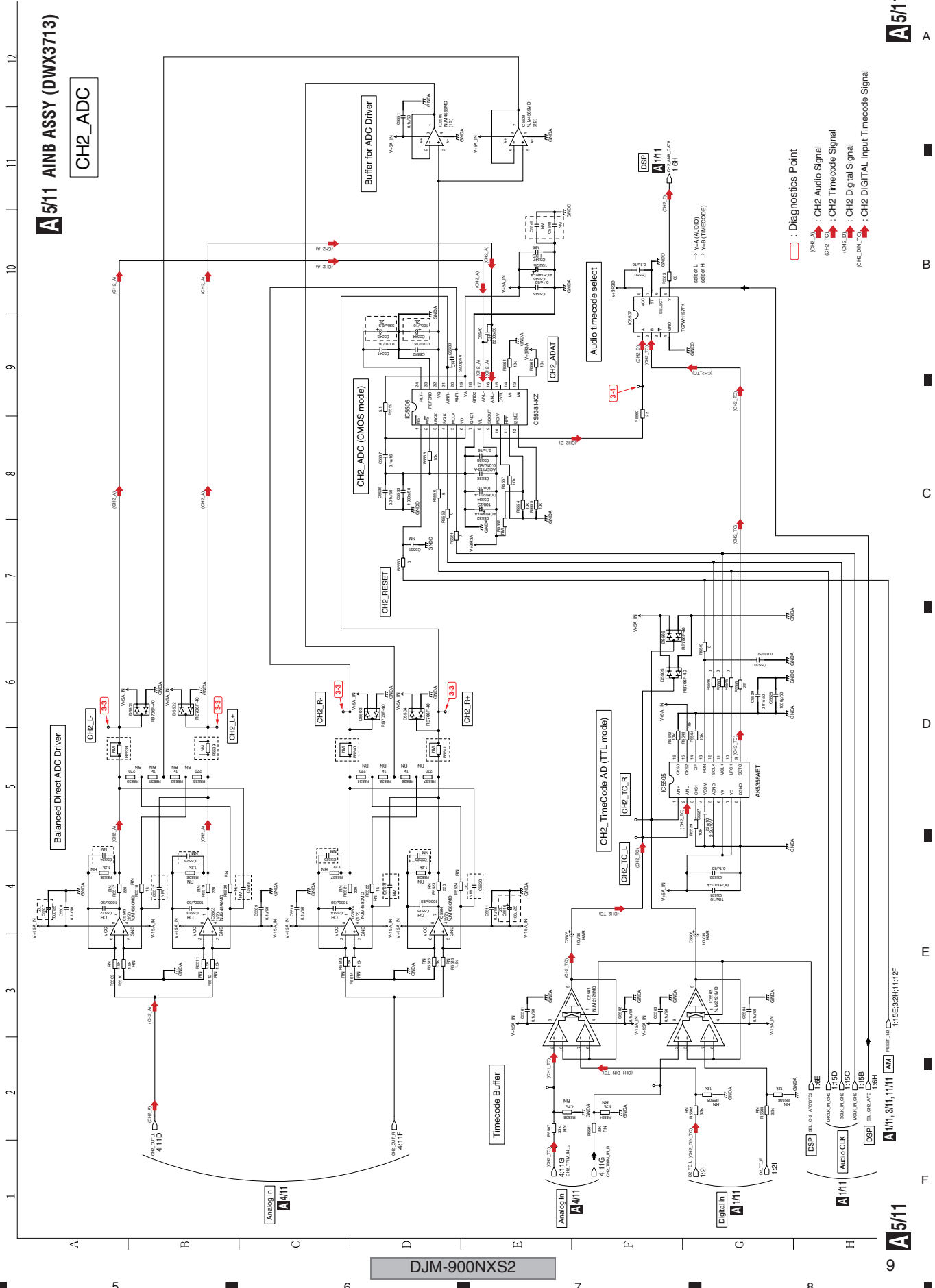
1

2

3

4

10.6 AINB ASSY (5/11)



A 5/11 AINB ASSY (DWX3713)
CH2_ADC

Balanced Direct ADC Driver

DJM-900NXS2

□ : Diagnostics Point
 CH2_A_{IN} : CH2 Audio Signal
 CH2_T_{IN} : CH2 Timecode Signal
 CH2_D_{IN} : CH2 Digital Signal
 CH2_D_{OUT} : CH2 DIGITAL Input Timecode Signal

10.9 AINB ASSY (8/11)

1

2

3

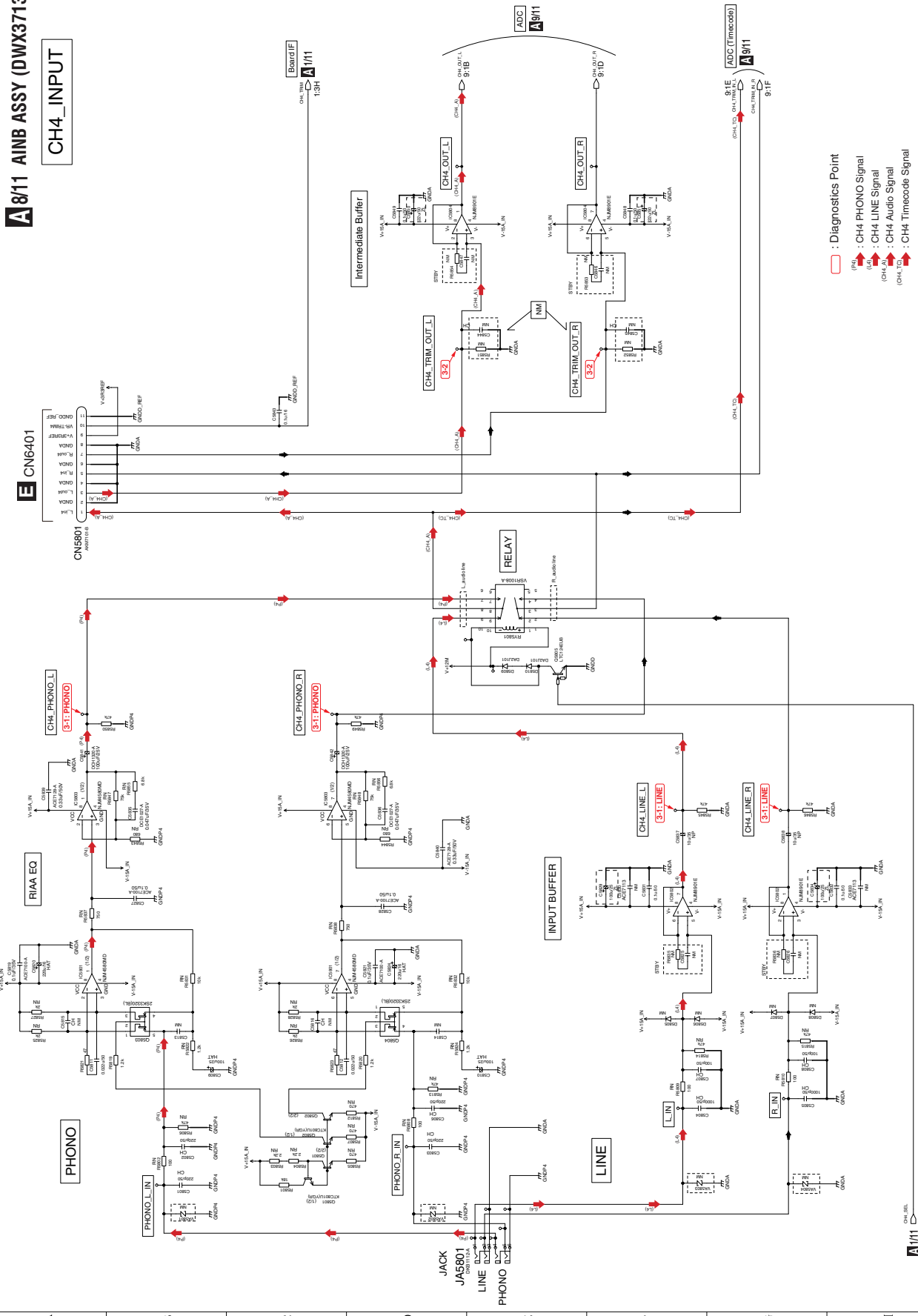
4

A
B
C
D
E
F

12
11
10
9
8
7
6
5
4
3
2
1

A 8/11 AINB ASSY (DWX3713)

CH4_INPUT



- : Diagnostics Point
- ▶ (PH) : CH4 PHONO Signal
- ▶ (LN) : CH4 LINE Signal
- ▶ (CH) : CH4 Audio Signal
- ▶ (CH,TD) : CH4 Timecode Signal

A 8/11

A 8/11

1:101

DJM-900NXS2

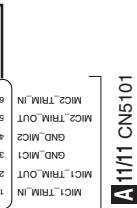
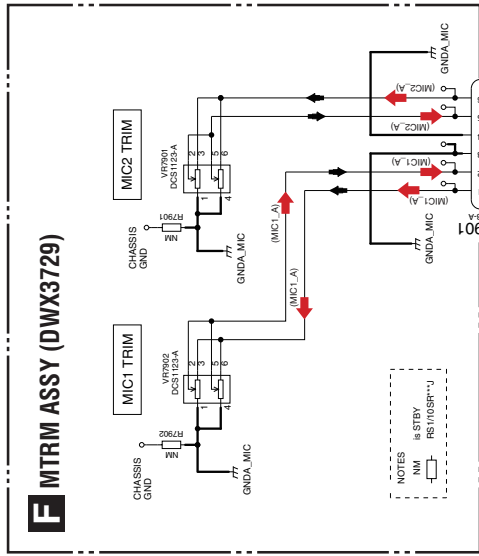
1

2

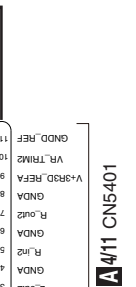
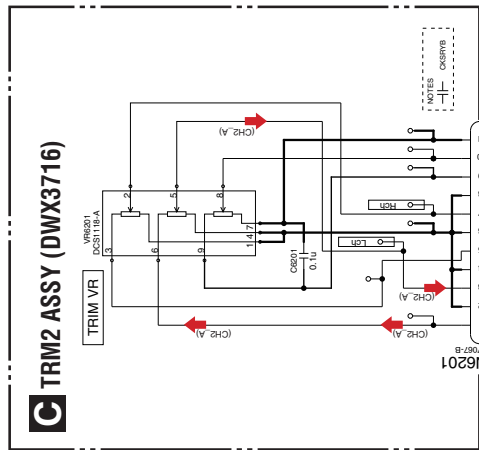
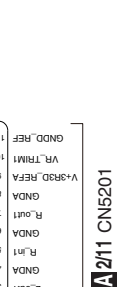
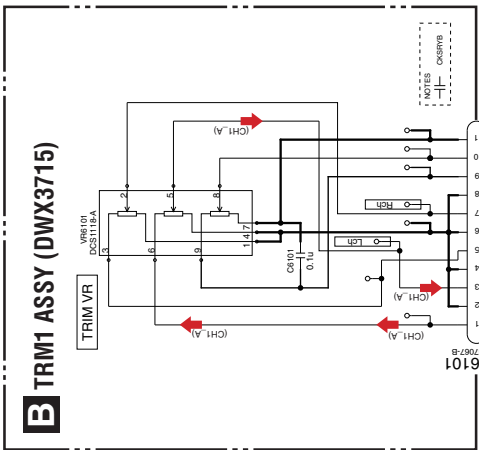
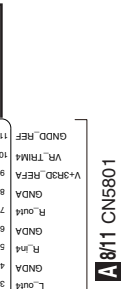
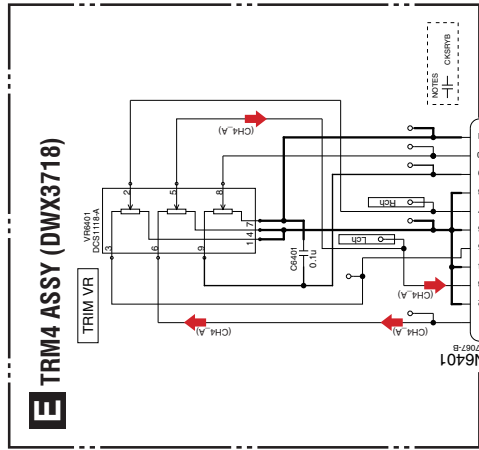
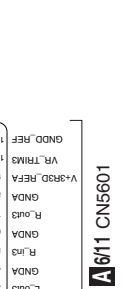
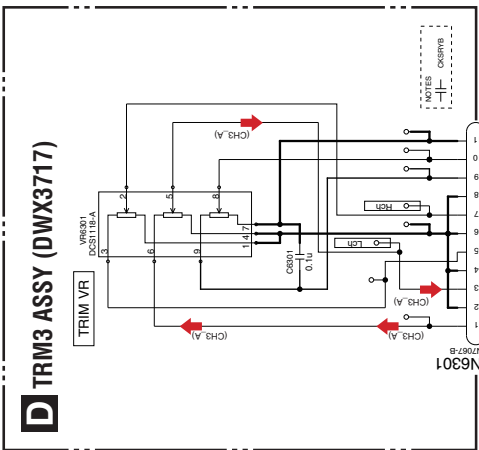
3

4

10.13 TRM1 to TRM4 and MTRM ASSYS



- : Voltage measuring point
- : Waveform measuring point
- (CH1_A) : CH1 Audio Signal
- (CH2_A) : CH2 Audio Signal
- (CH3_A) : CH3 Audio Signal
- (CH4_A) : CH4 Audio Signal
- (MIC1_A) : MIC1 Audio Signal
- (MIC2_A) : MIC2 Audio Signal



B C D E F

B C D E F

1

2

3

4

1

2

3

4

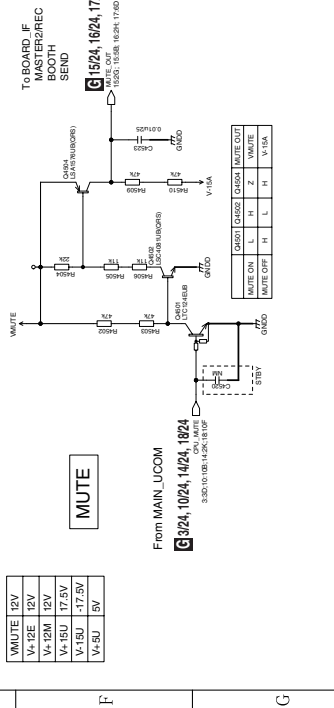
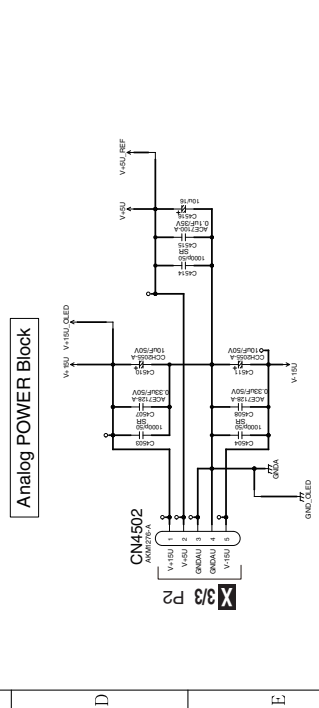
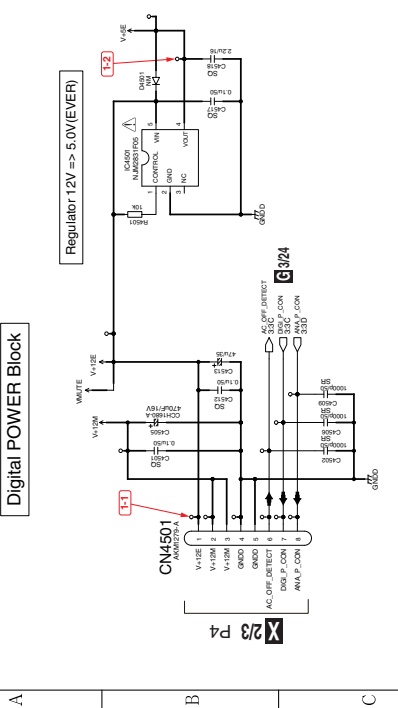
10.14 MAIN ASSY (1/24)

G1/24 MAIN ASSY (DWX3710) POWER (IF/REG) BLOCK

□ : Diagnostics Point

• The Δ mark found on some component parts indicates the importance of the safety factor of the part. Therefore, when replacing, be sure to use parts of identical designation.
 • Δ印の部品は、安全上重要な部品です。
 交換するときは、安全および性能維持のため必ず指定の部品をご使用ください。

MARK	NAME
Δ	RS V158E**J
Δ	RS V158E**D
Δ	RS V158E**F
Δ	RS V158E**D
Δ	RS V158E**F
Δ	RS V158E**D
Δ	RS V158E**F
Δ	RS V158A**J
Δ	RAMCO2**J
Δ	CR50V**
Δ	CO50CH**C
Δ	CR50V**
Δ	SO
Δ	SP5CH**T
Δ	CO50CH**
Δ	CH
Δ	CO50CH**C
Δ	CEVAP**
Δ	AMP
Δ	CEVAP**



11
10
9
8
7
6
5
4
3
2
1

A

B

C

D

E

F

G

10.15 MAIN ASSY (2/24)

1

2

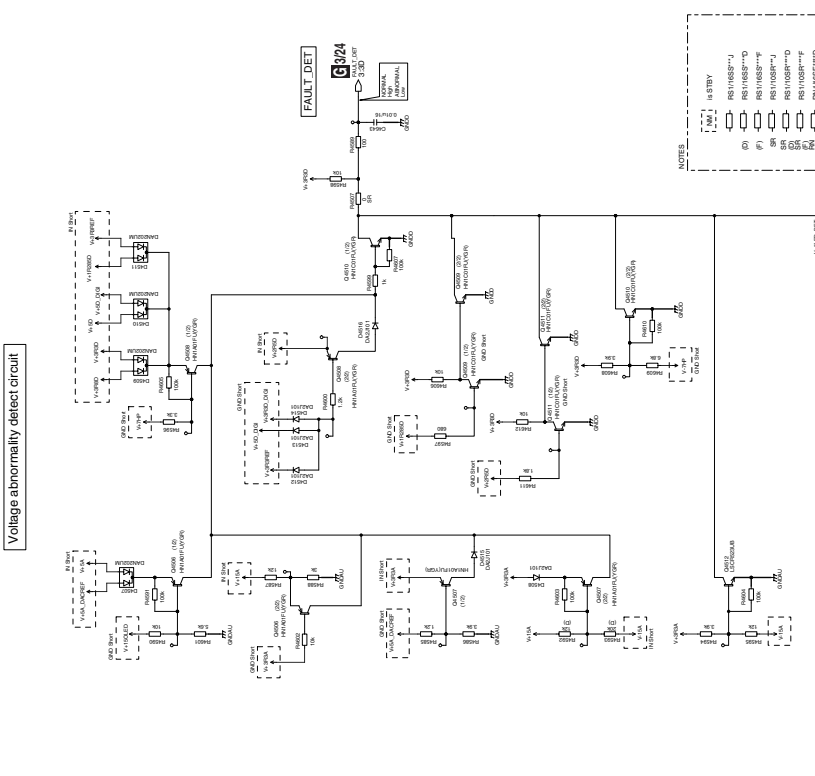
3

4

POWER BLOCK

G/24 MAIN ASSY (DWX3710)

Voltage abnormality detect circuit



NOTES

- ① 1.2V ⇒ 1.875V
- ② RES108BP**J
- ③ RES108BP**D
- ④ SR
- ⑤ RES108BP**F
- ⑥ RY118SE**D
- ⑦ RES18A8**J
- ⑧ PARM3C2**J
- ⑨ CKE5V**
- ⑩ CC38CH**C
- ⑪ CC38CH**D
- ⑫ CKE5V**
- ⑬ CKE5V**
- ⑭ CKE5V**
- ⑮ CKE5V**
- ⑯ CC38CH**C
- ⑰ CC38CH**D
- ⑱ HAWK
- ⑲ CE5VAP**
- ⑳ CE5VAP**
- ㉑ AMP
- ㉒ CEAMP**

● The Δ mark found on some component parts indicates the importance of the safety factor of the part. Therefore, when replacing, be sure to use parts of identical designation.
 ● Δ 印の部品は、安全上重要な部品です。
 交換するときは、安全および性能維持のため必ず指定の部品をご使用ください。



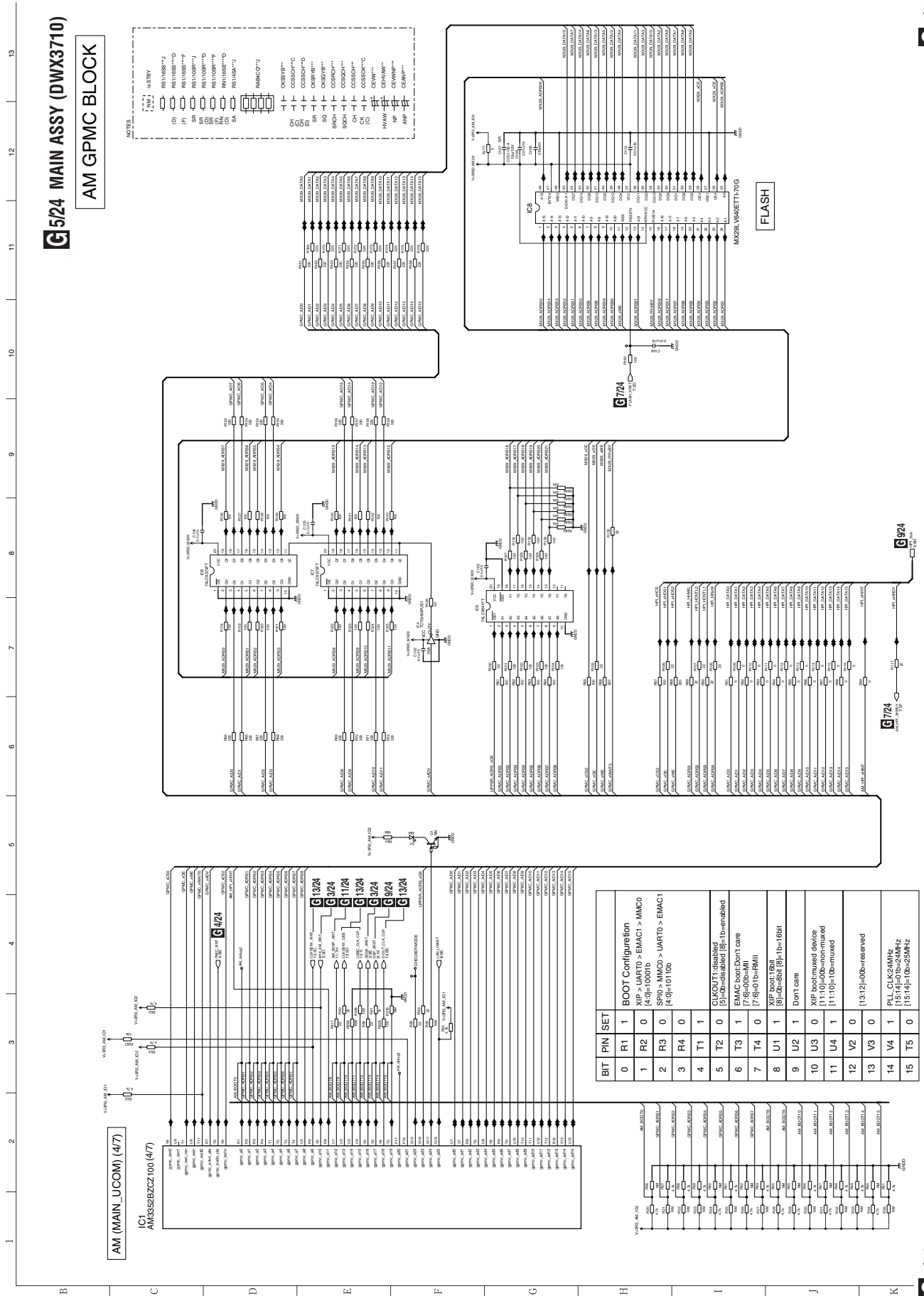
1

2

3

4

10.18 MAIN ASSY (5/24)



DJM-900XS2

10.19 MAIN ASSY (6/24)

1

2

3

4

A

B

C

D

E

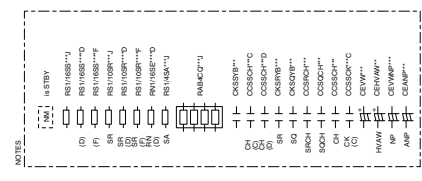
F

G624 MAIN ASSY (DWX3710)

AM EMIF BLOCK

IC9
K4B1G1646G-BCK0

IC1
AM335BZCZ100



G624

G624

DJM-900NXS2

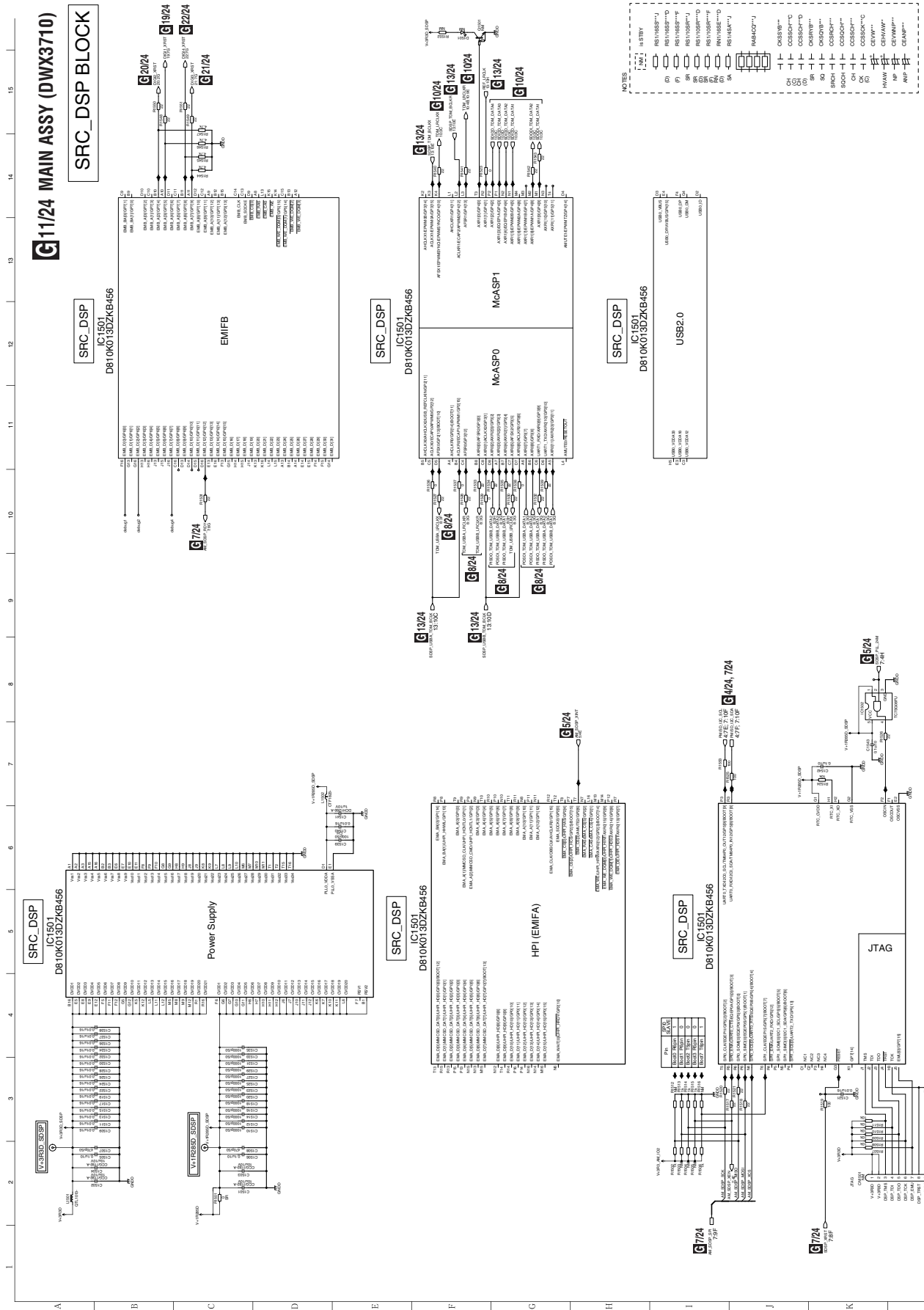
1

2

3

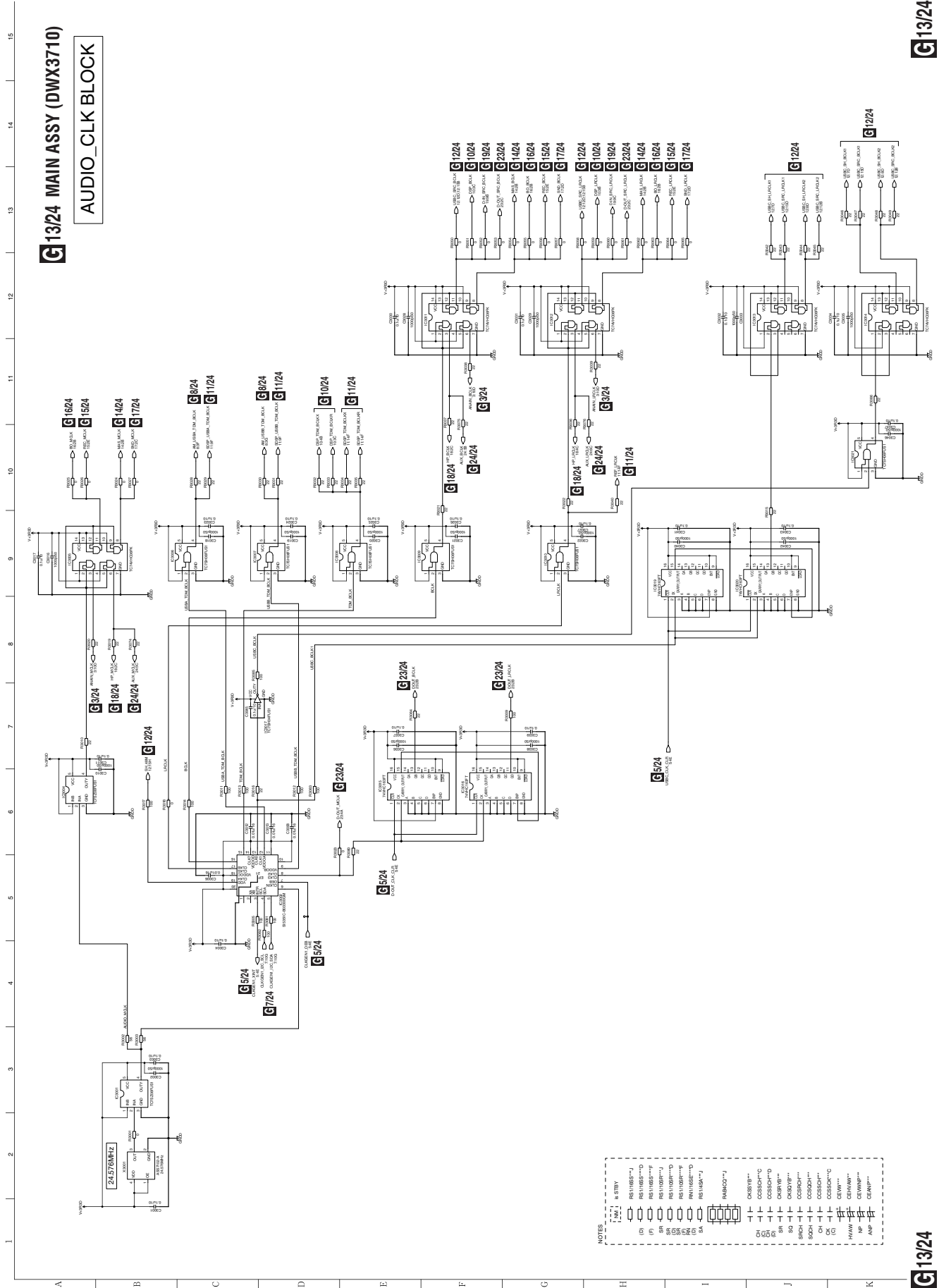
4

10.24 MAIN ASSY (11/24)



- NOTES**
- 1. "J" is STBY
 - 2. "J" is STBY
 - 3. "J" is STBY
 - 4. "J" is STBY
 - 5. "J" is STBY
 - 6. "J" is STBY
 - 7. "J" is STBY
 - 8. "J" is STBY
 - 9. "J" is STBY
 - 10. "J" is STBY
 - 11. "J" is STBY
 - 12. "J" is STBY
 - 13. "J" is STBY
 - 14. "J" is STBY
 - 15. "J" is STBY
 - 16. "J" is STBY
 - 17. "J" is STBY
 - 18. "J" is STBY
 - 19. "J" is STBY
 - 20. "J" is STBY
 - 21. "J" is STBY
 - 22. "J" is STBY
 - 23. "J" is STBY
 - 24. "J" is STBY
 - 25. "J" is STBY
 - 26. "J" is STBY
 - 27. "J" is STBY
 - 28. "J" is STBY
 - 29. "J" is STBY
 - 30. "J" is STBY
 - 31. "J" is STBY
 - 32. "J" is STBY
 - 33. "J" is STBY
 - 34. "J" is STBY
 - 35. "J" is STBY
 - 36. "J" is STBY
 - 37. "J" is STBY
 - 38. "J" is STBY
 - 39. "J" is STBY
 - 40. "J" is STBY
 - 41. "J" is STBY
 - 42. "J" is STBY
 - 43. "J" is STBY
 - 44. "J" is STBY
 - 45. "J" is STBY
 - 46. "J" is STBY
 - 47. "J" is STBY
 - 48. "J" is STBY
 - 49. "J" is STBY
 - 50. "J" is STBY
 - 51. "J" is STBY
 - 52. "J" is STBY
 - 53. "J" is STBY
 - 54. "J" is STBY
 - 55. "J" is STBY
 - 56. "J" is STBY
 - 57. "J" is STBY
 - 58. "J" is STBY
 - 59. "J" is STBY
 - 60. "J" is STBY
 - 61. "J" is STBY
 - 62. "J" is STBY
 - 63. "J" is STBY
 - 64. "J" is STBY
 - 65. "J" is STBY
 - 66. "J" is STBY
 - 67. "J" is STBY
 - 68. "J" is STBY
 - 69. "J" is STBY
 - 70. "J" is STBY
 - 71. "J" is STBY
 - 72. "J" is STBY
 - 73. "J" is STBY
 - 74. "J" is STBY
 - 75. "J" is STBY
 - 76. "J" is STBY
 - 77. "J" is STBY
 - 78. "J" is STBY
 - 79. "J" is STBY
 - 80. "J" is STBY
 - 81. "J" is STBY
 - 82. "J" is STBY
 - 83. "J" is STBY
 - 84. "J" is STBY
 - 85. "J" is STBY
 - 86. "J" is STBY
 - 87. "J" is STBY
 - 88. "J" is STBY
 - 89. "J" is STBY
 - 90. "J" is STBY
 - 91. "J" is STBY
 - 92. "J" is STBY
 - 93. "J" is STBY
 - 94. "J" is STBY
 - 95. "J" is STBY
 - 96. "J" is STBY
 - 97. "J" is STBY
 - 98. "J" is STBY
 - 99. "J" is STBY
 - 100. "J" is STBY

10.26 MAIN ASSY (13/24)



G13/24 MAIN ASSY (DWX3710)
AUDIO_CLK BLOCK

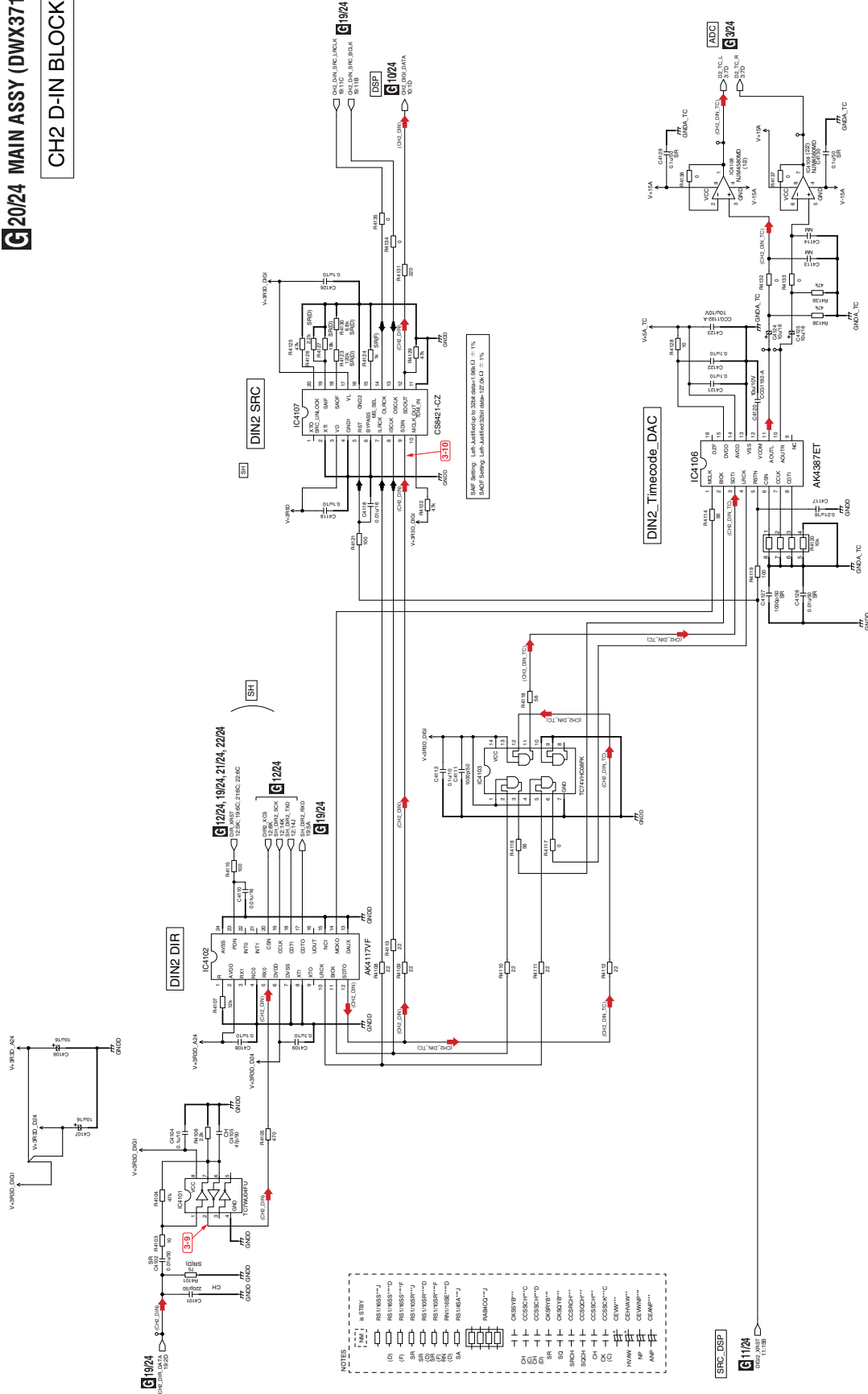
- NOTES
- 1. ALL SMD
 - 2. RESISTOR
 - 3. CAPACITOR
 - 4. IC
 - 5. CONNECTOR
 - 6. WIRE
 - 7. MECHANICAL PART
 - 8. OTHER
 - 9. UNDEFINED
 - 10. UNDEFINED
 - 11. UNDEFINED
 - 12. UNDEFINED
 - 13. UNDEFINED
 - 14. UNDEFINED
 - 15. UNDEFINED

DJM-900NXS2

10.33 MAIN ASSY (20/24)

G2024 MAIN ASSY (DWX3710)

CH2 D-IN BLOCK



- NOTES
- (J) 1 8 BIT
 - (K) 1 8 BIT
 - (L) 1 8 BIT
 - (M) 1 8 BIT
 - (N) 1 8 BIT
 - (O) 1 8 BIT
 - (P) 1 8 BIT
 - (Q) 1 8 BIT
 - (R) 1 8 BIT
 - (S) 1 8 BIT
 - (T) 1 8 BIT
 - (U) 1 8 BIT
 - (V) 1 8 BIT
 - (W) 1 8 BIT
 - (X) 1 8 BIT
 - (Y) 1 8 BIT
 - (Z) 1 8 BIT
 - (AA) 1 8 BIT
 - (AB) 1 8 BIT
 - (AC) 1 8 BIT
 - (AD) 1 8 BIT
 - (AE) 1 8 BIT
 - (AF) 1 8 BIT
 - (AG) 1 8 BIT
 - (AH) 1 8 BIT
 - (AI) 1 8 BIT
 - (AJ) 1 8 BIT
 - (AK) 1 8 BIT
 - (AL) 1 8 BIT
 - (AM) 1 8 BIT
 - (AN) 1 8 BIT
 - (AO) 1 8 BIT
 - (AP) 1 8 BIT
 - (AQ) 1 8 BIT
 - (AR) 1 8 BIT
 - (AS) 1 8 BIT
 - (AT) 1 8 BIT
 - (AU) 1 8 BIT
 - (AV) 1 8 BIT
 - (AW) 1 8 BIT
 - (AX) 1 8 BIT
 - (AY) 1 8 BIT
 - (AZ) 1 8 BIT
 - (BA) 1 8 BIT
 - (BB) 1 8 BIT
 - (BC) 1 8 BIT
 - (BD) 1 8 BIT
 - (BE) 1 8 BIT
 - (BF) 1 8 BIT
 - (BG) 1 8 BIT
 - (BH) 1 8 BIT
 - (BI) 1 8 BIT
 - (BJ) 1 8 BIT
 - (BK) 1 8 BIT
 - (BL) 1 8 BIT
 - (BM) 1 8 BIT
 - (BN) 1 8 BIT
 - (BO) 1 8 BIT
 - (BP) 1 8 BIT
 - (BQ) 1 8 BIT
 - (BR) 1 8 BIT
 - (BS) 1 8 BIT
 - (BT) 1 8 BIT
 - (BU) 1 8 BIT
 - (BV) 1 8 BIT
 - (BW) 1 8 BIT
 - (BX) 1 8 BIT
 - (BY) 1 8 BIT
 - (BZ) 1 8 BIT
 - (CA) 1 8 BIT
 - (CB) 1 8 BIT
 - (CC) 1 8 BIT
 - (CD) 1 8 BIT
 - (CE) 1 8 BIT
 - (CF) 1 8 BIT
 - (CG) 1 8 BIT
 - (CH) 1 8 BIT
 - (CI) 1 8 BIT
 - (CJ) 1 8 BIT
 - (CK) 1 8 BIT
 - (CL) 1 8 BIT
 - (CM) 1 8 BIT
 - (CN) 1 8 BIT
 - (CO) 1 8 BIT
 - (CP) 1 8 BIT
 - (CQ) 1 8 BIT
 - (CR) 1 8 BIT
 - (CS) 1 8 BIT
 - (CT) 1 8 BIT
 - (CU) 1 8 BIT
 - (CV) 1 8 BIT
 - (CW) 1 8 BIT
 - (CX) 1 8 BIT
 - (CY) 1 8 BIT
 - (CZ) 1 8 BIT
 - (DA) 1 8 BIT
 - (DB) 1 8 BIT
 - (DC) 1 8 BIT
 - (DD) 1 8 BIT
 - (DE) 1 8 BIT
 - (DF) 1 8 BIT
 - (DG) 1 8 BIT
 - (DH) 1 8 BIT
 - (DI) 1 8 BIT
 - (DJ) 1 8 BIT
 - (DK) 1 8 BIT
 - (DL) 1 8 BIT
 - (DM) 1 8 BIT
 - (DN) 1 8 BIT
 - (DO) 1 8 BIT
 - (DP) 1 8 BIT
 - (DQ) 1 8 BIT
 - (DR) 1 8 BIT
 - (DS) 1 8 BIT
 - (DT) 1 8 BIT
 - (DU) 1 8 BIT
 - (DV) 1 8 BIT
 - (DW) 1 8 BIT
 - (DX) 1 8 BIT
 - (DY) 1 8 BIT
 - (DZ) 1 8 BIT
 - (EA) 1 8 BIT
 - (EB) 1 8 BIT
 - (EC) 1 8 BIT
 - (ED) 1 8 BIT
 - (EE) 1 8 BIT
 - (EF) 1 8 BIT
 - (EG) 1 8 BIT
 - (EH) 1 8 BIT
 - (EI) 1 8 BIT
 - (EJ) 1 8 BIT
 - (EK) 1 8 BIT
 - (EL) 1 8 BIT
 - (EM) 1 8 BIT
 - (EN) 1 8 BIT
 - (EO) 1 8 BIT
 - (EP) 1 8 BIT
 - (EQ) 1 8 BIT
 - (ER) 1 8 BIT
 - (ES) 1 8 BIT
 - (ET) 1 8 BIT
 - (EU) 1 8 BIT
 - (EV) 1 8 BIT
 - (EW) 1 8 BIT
 - (EX) 1 8 BIT
 - (EY) 1 8 BIT
 - (EZ) 1 8 BIT
 - (FA) 1 8 BIT
 - (FB) 1 8 BIT
 - (FC) 1 8 BIT
 - (FD) 1 8 BIT
 - (FE) 1 8 BIT
 - (FF) 1 8 BIT
 - (FG) 1 8 BIT
 - (FH) 1 8 BIT
 - (FI) 1 8 BIT
 - (FJ) 1 8 BIT
 - (FK) 1 8 BIT
 - (FL) 1 8 BIT
 - (FM) 1 8 BIT
 - (FN) 1 8 BIT
 - (FO) 1 8 BIT
 - (FP) 1 8 BIT
 - (FQ) 1 8 BIT
 - (FR) 1 8 BIT
 - (FS) 1 8 BIT
 - (FT) 1 8 BIT
 - (FU) 1 8 BIT
 - (FV) 1 8 BIT
 - (FW) 1 8 BIT
 - (FX) 1 8 BIT
 - (FY) 1 8 BIT
 - (FZ) 1 8 BIT
 - (GA) 1 8 BIT
 - (GB) 1 8 BIT
 - (GC) 1 8 BIT
 - (GD) 1 8 BIT
 - (GE) 1 8 BIT
 - (GF) 1 8 BIT
 - (GG) 1 8 BIT
 - (GH) 1 8 BIT
 - (GI) 1 8 BIT
 - (GJ) 1 8 BIT
 - (GK) 1 8 BIT
 - (GL) 1 8 BIT
 - (GM) 1 8 BIT
 - (GN) 1 8 BIT
 - (GO) 1 8 BIT
 - (GP) 1 8 BIT
 - (GQ) 1 8 BIT
 - (GR) 1 8 BIT
 - (GS) 1 8 BIT
 - (GT) 1 8 BIT
 - (GU) 1 8 BIT
 - (GV) 1 8 BIT
 - (GW) 1 8 BIT
 - (GX) 1 8 BIT
 - (GY) 1 8 BIT
 - (GZ) 1 8 BIT
 - (HA) 1 8 BIT
 - (HB) 1 8 BIT
 - (HC) 1 8 BIT
 - (HD) 1 8 BIT
 - (HE) 1 8 BIT
 - (HF) 1 8 BIT
 - (HG) 1 8 BIT
 - (HH) 1 8 BIT
 - (HI) 1 8 BIT
 - (HJ) 1 8 BIT
 - (HK) 1 8 BIT
 - (HL) 1 8 BIT
 - (HM) 1 8 BIT
 - (HN) 1 8 BIT
 - (HO) 1 8 BIT
 - (HP) 1 8 BIT
 - (HQ) 1 8 BIT
 - (HR) 1 8 BIT
 - (HS) 1 8 BIT
 - (HT) 1 8 BIT
 - (HU) 1 8 BIT
 - (HV) 1 8 BIT
 - (HW) 1 8 BIT
 - (HX) 1 8 BIT
 - (HY) 1 8 BIT
 - (HZ) 1 8 BIT
 - (IA) 1 8 BIT
 - (IB) 1 8 BIT
 - (IC) 1 8 BIT
 - (ID) 1 8 BIT
 - (IE) 1 8 BIT
 - (IF) 1 8 BIT
 - (IG) 1 8 BIT
 - (IH) 1 8 BIT
 - (II) 1 8 BIT
 - (IJ) 1 8 BIT
 - (IK) 1 8 BIT
 - (IL) 1 8 BIT
 - (IM) 1 8 BIT
 - (IN) 1 8 BIT
 - (IO) 1 8 BIT
 - (IP) 1 8 BIT
 - (IQ) 1 8 BIT
 - (IR) 1 8 BIT
 - (IS) 1 8 BIT
 - (IT) 1 8 BIT
 - (IU) 1 8 BIT
 - (IV) 1 8 BIT
 - (IW) 1 8 BIT
 - (IX) 1 8 BIT
 - (IY) 1 8 BIT
 - (IZ) 1 8 BIT
 - (JA) 1 8 BIT
 - (JB) 1 8 BIT
 - (JC) 1 8 BIT
 - (JD) 1 8 BIT
 - (JE) 1 8 BIT
 - (JF) 1 8 BIT
 - (JG) 1 8 BIT
 - (JH) 1 8 BIT
 - (JI) 1 8 BIT
 - (JJ) 1 8 BIT
 - (JK) 1 8 BIT
 - (JL) 1 8 BIT
 - (JM) 1 8 BIT
 - (JN) 1 8 BIT
 - (JO) 1 8 BIT
 - (JP) 1 8 BIT
 - (JQ) 1 8 BIT
 - (JR) 1 8 BIT
 - (JS) 1 8 BIT
 - (JT) 1 8 BIT
 - (JU) 1 8 BIT
 - (JV) 1 8 BIT
 - (JW) 1 8 BIT
 - (JX) 1 8 BIT
 - (JY) 1 8 BIT
 - (JZ) 1 8 BIT
 - (KA) 1 8 BIT
 - (KB) 1 8 BIT
 - (KC) 1 8 BIT
 - (KD) 1 8 BIT
 - (KE) 1 8 BIT
 - (KF) 1 8 BIT
 - (KG) 1 8 BIT
 - (KH) 1 8 BIT
 - (KI) 1 8 BIT
 - (KJ) 1 8 BIT
 - (KK) 1 8 BIT
 - (KN) 1 8 BIT
 - (KO) 1 8 BIT
 - (KP) 1 8 BIT
 - (KQ) 1 8 BIT
 - (KR) 1 8 BIT
 - (KS) 1 8 BIT
 - (KT) 1 8 BIT
 - (KU) 1 8 BIT
 - (KV) 1 8 BIT
 - (KW) 1 8 BIT
 - (KX) 1 8 BIT
 - (KY) 1 8 BIT
 - (KZ) 1 8 BIT
 - (LA) 1 8 BIT
 - (LB) 1 8 BIT
 - (LC) 1 8 BIT
 - (LD) 1 8 BIT
 - (LE) 1 8 BIT
 - (LF) 1 8 BIT
 - (LG) 1 8 BIT
 - (LH) 1 8 BIT
 - (LI) 1 8 BIT
 - (LJ) 1 8 BIT
 - (LK) 1 8 BIT
 - (LL) 1 8 BIT
 - (LM) 1 8 BIT
 - (LN) 1 8 BIT
 - (LO) 1 8 BIT
 - (LP) 1 8 BIT
 - (LQ) 1 8 BIT
 - (LR) 1 8 BIT
 - (LS) 1 8 BIT
 - (LT) 1 8 BIT
 - (LU) 1 8 BIT
 - (LV) 1 8 BIT
 - (LW) 1 8 BIT
 - (LX) 1 8 BIT
 - (LY) 1 8 BIT
 - (LZ) 1 8 BIT
 - (MA) 1 8 BIT
 - (MB) 1 8 BIT
 - (MC) 1 8 BIT
 - (MD) 1 8 BIT
 - (ME) 1 8 BIT
 - (MF) 1 8 BIT
 - (MG) 1 8 BIT
 - (MH) 1 8 BIT
 - (MI) 1 8 BIT
 - (MJ) 1 8 BIT
 - (MK) 1 8 BIT
 - (ML) 1 8 BIT
 - (MM) 1 8 BIT
 - (MN) 1 8 BIT
 - (MO) 1 8 BIT
 - (MP) 1 8 BIT
 - (MQ) 1 8 BIT
 - (MR) 1 8 BIT
 - (MS) 1 8 BIT
 - (MT) 1 8 BIT
 - (MU) 1 8 BIT
 - (MV) 1 8 BIT
 - (MW) 1 8 BIT
 - (MX) 1 8 BIT
 - (MY) 1 8 BIT
 - (MZ) 1 8 BIT
 - (NA) 1 8 BIT
 - (NB) 1 8 BIT
 - (NC) 1 8 BIT
 - (ND) 1 8 BIT
 - (NE) 1 8 BIT
 - (NF) 1 8 BIT
 - (NG) 1 8 BIT
 - (NH) 1 8 BIT
 - (NI) 1 8 BIT
 - (NJ) 1 8 BIT
 - (NK) 1 8 BIT
 - (NL) 1 8 BIT
 - (NM) 1 8 BIT
 - (NN) 1 8 BIT
 - (NO) 1 8 BIT
 - (NP) 1 8 BIT
 - (NQ) 1 8 BIT
 - (NR) 1 8 BIT
 - (NS) 1 8 BIT
 - (NT) 1 8 BIT
 - (NU) 1 8 BIT
 - (NV) 1 8 BIT
 - (NW) 1 8 BIT
 - (NX) 1 8 BIT
 - (NY) 1 8 BIT
 - (NZ) 1 8 BIT
 - (OA) 1 8 BIT
 - (OB) 1 8 BIT
 - (OC) 1 8 BIT
 - (OD) 1 8 BIT
 - (OE) 1 8 BIT
 - (OF) 1 8 BIT
 - (OG) 1 8 BIT
 - (OH) 1 8 BIT
 - (OI) 1 8 BIT
 - (OJ) 1 8 BIT
 - (OK) 1 8 BIT
 - (OL) 1 8 BIT
 - (OM) 1 8 BIT
 - (ON) 1 8 BIT
 - (OO) 1 8 BIT
 - (OP) 1 8 BIT
 - (OQ) 1 8 BIT
 - (OR) 1 8 BIT
 - (OS) 1 8 BIT
 - (OT) 1 8 BIT
 - (OU) 1 8 BIT
 - (OV) 1 8 BIT
 - (OW) 1 8 BIT
 - (OX) 1 8 BIT
 - (OY) 1 8 BIT
 - (OZ) 1 8 BIT
 - (PA) 1 8 BIT
 - (PB) 1 8 BIT
 - (PC) 1 8 BIT
 - (PD) 1 8 BIT
 - (PE) 1 8 BIT
 - (PF) 1 8 BIT
 - (PG) 1 8 BIT
 - (PH) 1 8 BIT
 - (PI) 1 8 BIT
 - (PJ) 1 8 BIT
 - (PK) 1 8 BIT
 - (PL) 1 8 BIT
 - (PM) 1 8 BIT
 - (PN) 1 8 BIT
 - (PO) 1 8 BIT
 - (PP) 1 8 BIT
 - (PQ) 1 8 BIT
 - (PR) 1 8 BIT
 - (PS) 1 8 BIT
 - (PT) 1 8 BIT
 - (PU) 1 8 BIT
 - (PV) 1 8 BIT
 - (PW) 1 8 BIT
 - (PX) 1 8 BIT
 - (PY) 1 8 BIT
 - (PZ) 1 8 BIT
 - (QA) 1 8 BIT
 - (QB) 1 8 BIT
 - (QC) 1 8 BIT
 - (QD) 1 8 BIT
 - (QE) 1 8 BIT
 - (QF) 1 8 BIT
 - (QG) 1 8 BIT
 - (QH) 1 8 BIT
 - (QI) 1 8 BIT
 - (QJ) 1 8 BIT
 - (QK) 1 8 BIT
 - (QL) 1 8 BIT
 - (QM) 1 8 BIT
 - (QN) 1 8 BIT
 - (QO) 1 8 BIT
 - (QP) 1 8 BIT
 - (QQ) 1 8 BIT
 - (QR) 1 8 BIT
 - (QS) 1 8 BIT
 - (QT) 1 8 BIT
 - (QU) 1 8 BIT
 - (QV) 1 8 BIT
 - (QW) 1 8 BIT
 - (QX) 1 8 BIT
 - (QY) 1 8 BIT
 - (QZ) 1 8 BIT
 - (RA) 1 8 BIT
 - (RB) 1 8 BIT
 - (RC) 1 8 BIT
 - (RD) 1 8 BIT
 - (RE) 1 8 BIT
 - (RF) 1 8 BIT
 - (RG) 1 8 BIT
 - (RH) 1 8 BIT
 - (RI) 1 8 BIT
 - (RJ) 1 8 BIT
 - (RK) 1 8 BIT
 - (RL) 1 8 BIT
 - (RM) 1 8 BIT
 - (RN) 1 8 BIT
 - (RO) 1 8 BIT
 - (RP) 1 8 BIT
 - (RQ) 1 8 BIT
 - (RR) 1 8 BIT
 - (RS) 1 8 BIT
 - (RT) 1 8 BIT
 - (RU) 1 8 BIT
 - (RV) 1 8 BIT
 - (RW) 1 8 BIT
 - (RX) 1 8 BIT
 - (RY) 1 8 BIT
 - (RZ) 1 8 BIT
 - (SA) 1 8 BIT
 - (SB) 1 8 BIT
 - (SC) 1 8 BIT
 - (SD) 1 8 BIT
 - (SE) 1 8 BIT
 - (SF) 1 8 BIT
 - (SG) 1 8 BIT
 - (SH) 1 8 BIT
 - (SI) 1 8 BIT
 - (SJ) 1 8 BIT
 - (SK) 1 8 BIT
 - (SL) 1 8 BIT
 - (SM) 1 8 BIT
 - (SN) 1 8 BIT
 - (SO) 1 8 BIT
 - (SP) 1 8 BIT
 - (SQ) 1 8 BIT
 - (SR) 1 8 BIT
 - (SS) 1 8 BIT
 - (ST) 1 8 BIT
 - (SU) 1 8 BIT
 - (SV) 1 8 BIT
 - (SW) 1 8 BIT
 - (SX) 1 8 BIT
 - (SY) 1 8 BIT
 - (SZ) 1 8 BIT
 - (TA) 1 8 BIT
 - (TB) 1 8 BIT
 - (TC) 1 8 BIT
 - (TD) 1 8 BIT
 - (TE) 1 8 BIT
 - (TF) 1 8 BIT
 - (TG) 1 8 BIT
 - (TH) 1 8 BIT
 - (TI) 1 8 BIT
 - (TJ) 1 8 BIT
 - (TK) 1 8 BIT
 - (TL) 1 8 BIT
 - (TM) 1 8 BIT
 - (TN) 1 8 BIT
 - (TO) 1 8 BIT
 - (TP) 1 8 BIT
 - (TQ) 1 8 BIT
 - (TR) 1 8 BIT
 - (TS) 1 8 BIT
 - (TT) 1 8 BIT
 - (TU) 1 8 BIT
 - (TV) 1 8 BIT
 - (TW) 1 8 BIT
 - (TX) 1 8 BIT
 - (TY) 1 8 BIT
 - (TZ) 1 8 BIT
 - (UA) 1 8 BIT
 - (UB) 1 8 BIT
 - (UC) 1 8 BIT
 - (UD) 1 8 BIT
 - (UE) 1 8 BIT
 - (UF) 1 8 BIT
 - (UG) 1 8 BIT
 - (UH) 1 8 BIT
 - (UI) 1 8 BIT
 - (UJ) 1 8 BIT
 - (UK) 1 8 BIT
 - (UL) 1 8 BIT
 - (UM) 1 8 BIT
 - (UN) 1 8 BIT
 - (UO) 1 8 BIT
 - (UP) 1 8 BIT
 - (UQ) 1 8 BIT
 - (UR) 1 8 BIT
 - (US) 1 8 BIT
 - (UT) 1 8 BIT
 - (UU) 1 8 BIT
 - (UV) 1 8 BIT
 - (UW) 1 8 BIT
 - (UX) 1 8 BIT
 - (UY) 1 8 BIT
 - (UZ) 1 8 BIT
 - (VA) 1 8 BIT
 - (VB) 1 8 BIT
 - (VC) 1 8 BIT
 - (VD) 1 8 BIT
 - (VE) 1 8 BIT
 - (VF) 1 8 BIT
 - (VG) 1 8 BIT
 - (VH) 1 8 BIT
 - (VI) 1 8 BIT
 - (VJ) 1 8 BIT
 - (VK) 1 8 BIT
 - (VL) 1 8 BIT
 - (VM) 1 8 BIT
 - (VN) 1 8 BIT
 - (VO) 1 8 BIT
 - (VP) 1 8 BIT
 - (VQ) 1 8 BIT
 - (VR) 1 8 BIT
 - (VS) 1 8 BIT
 - (VT) 1 8 BIT
 - (VU) 1 8 BIT
 - (VV) 1 8 BIT
 - (VW) 1 8 BIT
 - (VX) 1 8 BIT
 - (VY) 1 8 BIT
 - (VZ) 1 8 BIT
 - (WA) 1 8 BIT
 - (WB) 1 8 BIT
 - (WC) 1 8 BIT
 - (WD) 1 8 BIT
 - (WE) 1 8 BIT
 - (WF) 1 8 BIT
 - (WG) 1 8 BIT
 - (WH) 1 8 BIT
 - (WI) 1 8 BIT
 - (WJ) 1 8 BIT
 - (WK) 1 8 BIT
 - (WL) 1 8 BIT
 - (WM) 1 8 BIT
 - (WN) 1 8 BIT
 - (WO) 1 8 BIT
 - (WP) 1 8 BIT
 - (WQ) 1 8 BIT
 - (WR) 1 8 BIT
 - (WS) 1 8 BIT
 - (WT) 1 8 BIT
 - (WU) 1 8 BIT
 - (WV) 1 8 BIT
 - (WW) 1 8 BIT
 - (WX) 1 8 BIT
 - (WY) 1 8 BIT
 - (WZ) 1 8 BIT
 - (XA) 1 8 BIT
 - (XB) 1 8 BIT
 - (XC) 1 8 BIT
 - (XD) 1 8 BIT
 - (XE) 1 8 BIT
 - (XF) 1 8 BIT
 - (XG) 1 8 BIT
 - (XH) 1 8 BIT
 - (XI) 1 8 BIT
 - (XJ) 1 8 BIT
 - (XK) 1 8 BIT
 - (XL) 1 8 BIT
 - (XM) 1 8 BIT
 - (XN) 1 8 BIT
 - (XO) 1 8 BIT
 - (XP) 1 8 BIT
 - (XQ) 1 8 BIT
 - (XR) 1 8 BIT
 - (XS) 1 8 BIT
 - (XT) 1 8 BIT
 - (XU) 1 8 BIT
 - (XV) 1 8 BIT
 - (XW) 1 8 BIT
 - (XX) 1 8 BIT
 - (XY) 1 8 BIT
 - (XZ) 1 8 BIT
 - (YA) 1 8 BIT
 - (YB) 1 8 BIT
 - (YC) 1 8 BIT
 - (YD) 1 8 BIT
 - (YE) 1 8 BIT
 - (YF) 1 8 BIT
 - (YG) 1 8 BIT
 - (YH) 1 8 BIT
 - (YI) 1 8 BIT
 - (YJ) 1 8 BIT
 - (YK) 1 8 BIT
 - (YL) 1 8 BIT
 - (YM) 1 8 BIT
 - (YN) 1 8 BIT
 - (YO) 1 8 BIT
 - (YP) 1 8 BIT
 - (YQ) 1 8 BIT
 - (YR) 1 8 BIT
 - (YS) 1 8 BIT
 - (YT) 1 8 BIT
 - (YU) 1 8 BIT
 - (YV) 1 8 BIT
 - (YW) 1 8 BIT
 - (YX) 1 8 BIT
 - (YY) 1 8 BIT
 - (YZ) 1 8 BIT
 - (ZA) 1 8 BIT
 - (ZB) 1 8 BIT
 - (ZC) 1 8 BIT
 - (ZD) 1 8 BIT
 - (ZE) 1 8 BIT
 - (ZF) 1 8 BIT
 - (ZG) 1 8 BIT
 - (ZH) 1 8 BIT
 - (ZI) 1 8 BIT
 - (ZJ) 1 8 BIT
 - (ZK) 1 8 BIT
 - (ZL) 1 8 BIT
 - (ZM) 1 8 BIT
 - (ZN) 1 8 BIT
 - (ZO) 1 8 BIT
 - (ZP) 1 8 BIT
 - (ZQ) 1 8 BIT
 - (ZR) 1 8 BIT
 - (ZS) 1 8 BIT
 - (ZT) 1 8 BIT
 - (ZU) 1 8 BIT
 - (ZV) 1 8 BIT
 - (ZW) 1 8 BIT
 - (ZX) 1 8 BIT
 - (ZY) 1 8 BIT
 - (ZZ) 1 8 BIT

 : Diagnostics Point
● : CH2 DIGITAL Input Signal
▶ : CH2 DIGITAL Input Timecode Signal

G2024

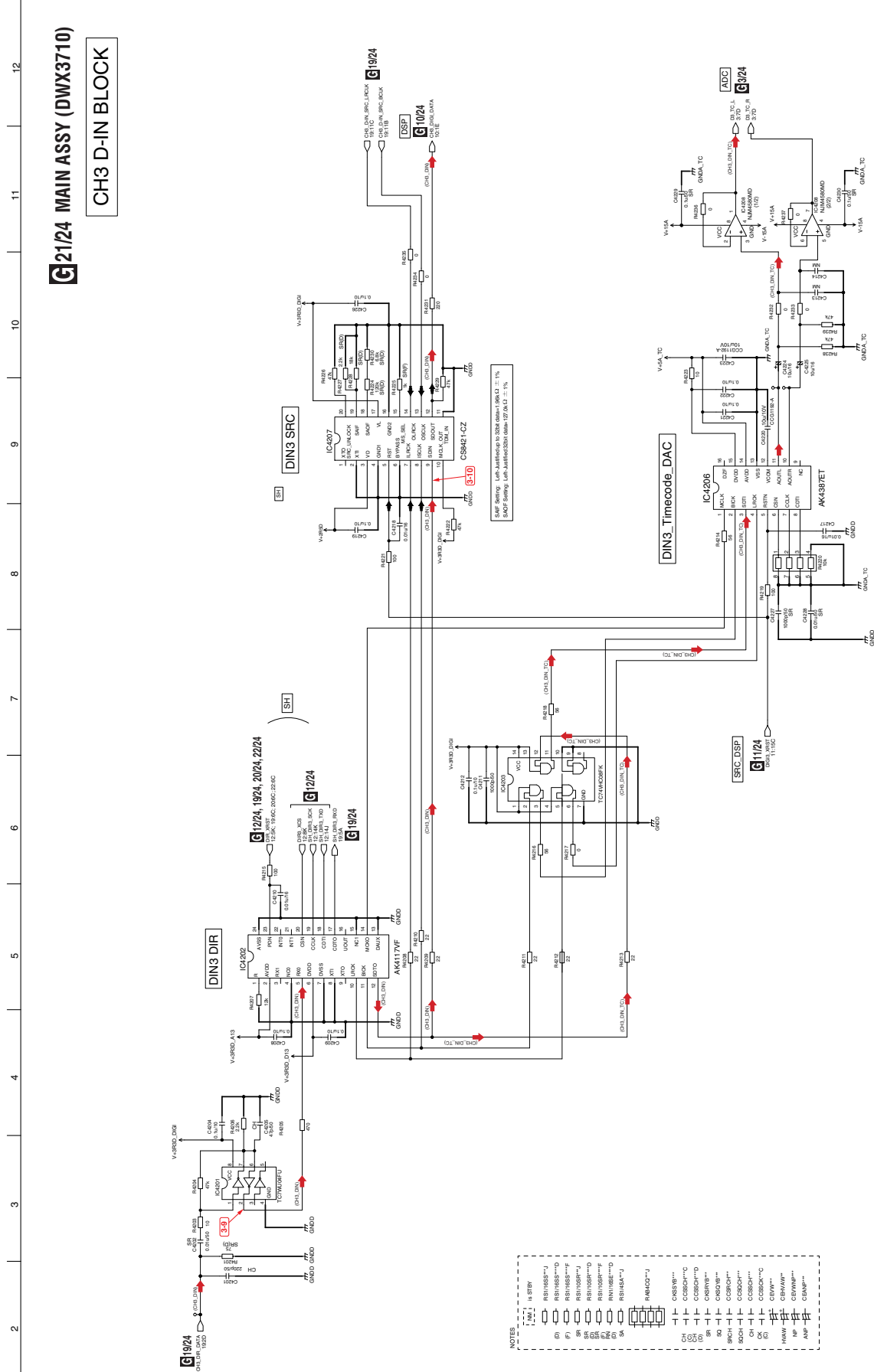
G2024

DJM-900NXS2

10.34 MAIN ASSY (21/24)

G21/24 MAIN ASSY (DWX3710)

CH3 D-IN BLOCK



- NOTES**
- (M) : M-STRY
 - (P) : P-STRY
 - (S) : S-STRY
 - (D) : D-STRY
 - (A) : A-STRY
 - (V) : V-STRY
 - (W) : W-STRY
 - (X) : X-STRY
 - (Y) : Y-STRY
 - (Z) : Z-STRY
 - (AA) : AA-STRY
 - (AB) : AB-STRY
 - (AC) : AC-STRY
 - (AD) : AD-STRY
 - (AE) : AE-STRY
 - (AF) : AF-STRY
 - (AG) : AG-STRY
 - (AH) : AH-STRY
 - (AI) : AI-STRY
 - (AJ) : AJ-STRY
 - (AK) : AK-STRY
 - (AL) : AL-STRY
 - (AM) : AM-STRY
 - (AN) : AN-STRY
 - (AO) : AO-STRY
 - (AP) : AP-STRY
 - (AQ) : AQ-STRY
 - (AR) : AR-STRY
 - (AS) : AS-STRY
 - (AT) : AT-STRY
 - (AU) : AU-STRY
 - (AV) : AV-STRY
 - (AW) : AW-STRY
 - (AX) : AX-STRY
 - (AY) : AY-STRY
 - (AZ) : AZ-STRY
 - (BA) : BA-STRY
 - (BB) : BB-STRY
 - (BC) : BC-STRY
 - (BD) : BD-STRY
 - (BE) : BE-STRY
 - (BF) : BF-STRY
 - (BG) : BG-STRY
 - (BH) : BH-STRY
 - (BI) : BI-STRY
 - (BJ) : BJ-STRY
 - (BK) : BK-STRY
 - (BL) : BL-STRY
 - (BM) : BM-STRY
 - (BN) : BN-STRY
 - (BO) : BO-STRY
 - (BP) : BP-STRY
 - (BQ) : BQ-STRY
 - (BR) : BR-STRY
 - (BS) : BS-STRY
 - (BT) : BT-STRY
 - (BU) : BU-STRY
 - (BV) : BV-STRY
 - (BW) : BW-STRY
 - (BX) : BX-STRY
 - (BY) : BY-STRY
 - (BZ) : BZ-STRY
 - (CA) : CA-STRY
 - (CB) : CB-STRY
 - (CC) : CC-STRY
 - (CD) : CD-STRY
 - (CE) : CE-STRY
 - (CF) : CF-STRY
 - (CG) : CG-STRY
 - (CH) : CH-STRY
 - (CI) : CI-STRY
 - (CJ) : CJ-STRY
 - (CK) : CK-STRY
 - (CL) : CL-STRY
 - (CM) : CM-STRY
 - (CN) : CN-STRY
 - (CO) : CO-STRY
 - (CP) : CP-STRY
 - (CQ) : CQ-STRY
 - (CR) : CR-STRY
 - (CS) : CS-STRY
 - (CT) : CT-STRY
 - (CU) : CU-STRY
 - (CV) : CV-STRY
 - (CW) : CW-STRY
 - (CX) : CX-STRY
 - (CY) : CY-STRY
 - (CZ) : CZ-STRY
 - (DA) : DA-STRY
 - (DB) : DB-STRY
 - (DC) : DC-STRY
 - (DD) : DD-STRY
 - (DE) : DE-STRY
 - (DF) : DF-STRY
 - (DG) : DG-STRY
 - (DH) : DH-STRY
 - (DI) : DI-STRY
 - (DJ) : DJ-STRY
 - (DK) : DK-STRY
 - (DL) : DL-STRY
 - (DM) : DM-STRY
 - (DN) : DN-STRY
 - (DO) : DO-STRY
 - (DP) : DP-STRY
 - (DQ) : DQ-STRY
 - (DR) : DR-STRY
 - (DS) : DS-STRY
 - (DT) : DT-STRY
 - (DU) : DU-STRY
 - (DV) : DV-STRY
 - (DW) : DW-STRY
 - (DX) : DX-STRY
 - (DY) : DY-STRY
 - (DZ) : DZ-STRY
 - (EA) : EA-STRY
 - (EB) : EB-STRY
 - (EC) : EC-STRY
 - (ED) : ED-STRY
 - (EE) : EE-STRY
 - (EF) : EF-STRY
 - (EG) : EG-STRY
 - (EH) : EH-STRY
 - (EI) : EI-STRY
 - (EJ) : EJ-STRY
 - (EK) : EK-STRY
 - (EL) : EL-STRY
 - (EM) : EM-STRY
 - (EN) : EN-STRY
 - (EO) : EO-STRY
 - (EP) : EP-STRY
 - (EQ) : EQ-STRY
 - (ER) : ER-STRY
 - (ES) : ES-STRY
 - (ET) : ET-STRY
 - (EU) : EU-STRY
 - (EV) : EV-STRY
 - (EW) : EW-STRY
 - (EX) : EX-STRY
 - (EY) : EY-STRY
 - (EZ) : EZ-STRY
 - (FA) : FA-STRY
 - (FB) : FB-STRY
 - (FC) : FC-STRY
 - (FD) : FD-STRY
 - (FE) : FE-STRY
 - (FF) : FF-STRY
 - (FG) : FG-STRY
 - (FH) : FH-STRY
 - (FI) : FI-STRY
 - (FJ) : FJ-STRY
 - (FK) : FK-STRY
 - (FL) : FL-STRY
 - (FM) : FM-STRY
 - (FN) : FN-STRY
 - (FO) : FO-STRY
 - (FP) : FP-STRY
 - (FQ) : FQ-STRY
 - (FR) : FR-STRY
 - (FS) : FS-STRY
 - (FT) : FT-STRY
 - (FU) : FU-STRY
 - (FV) : FV-STRY
 - (FW) : FW-STRY
 - (FX) : FX-STRY
 - (FY) : FY-STRY
 - (FZ) : FZ-STRY
 - (GA) : GA-STRY
 - (GB) : GB-STRY
 - (GC) : GC-STRY
 - (GD) : GD-STRY
 - (GE) : GE-STRY
 - (GF) : GF-STRY
 - (GG) : GG-STRY
 - (GH) : GH-STRY
 - (GI) : GI-STRY
 - (GJ) : GJ-STRY
 - (GK) : GK-STRY
 - (GL) : GL-STRY
 - (GM) : GM-STRY
 - (GN) : GN-STRY
 - (GO) : GO-STRY
 - (GP) : GP-STRY
 - (GQ) : GQ-STRY
 - (GR) : GR-STRY
 - (GS) : GS-STRY
 - (GT) : GT-STRY
 - (GU) : GU-STRY
 - (GV) : GV-STRY
 - (GW) : GW-STRY
 - (GX) : GX-STRY
 - (GY) : GY-STRY
 - (GZ) : GZ-STRY
 - (HA) : HA-STRY
 - (HB) : HB-STRY
 - (HC) : HC-STRY
 - (HD) : HD-STRY
 - (HE) : HE-STRY
 - (HF) : HF-STRY
 - (HG) : HG-STRY
 - (HH) : HH-STRY
 - (HI) : HI-STRY
 - (HJ) : HJ-STRY
 - (HK) : HK-STRY
 - (HL) : HL-STRY
 - (HM) : HM-STRY
 - (HN) : HN-STRY
 - (HO) : HO-STRY
 - (HP) : HP-STRY
 - (HQ) : HQ-STRY
 - (HR) : HR-STRY
 - (HS) : HS-STRY
 - (HT) : HT-STRY
 - (HU) : HU-STRY
 - (HV) : HV-STRY
 - (HW) : HW-STRY
 - (HX) : HX-STRY
 - (HY) : HY-STRY
 - (HZ) : HZ-STRY
 - (IA) : IA-STRY
 - (IB) : IB-STRY
 - (IC) : IC-STRY
 - (ID) : ID-STRY
 - (IE) : IE-STRY
 - (IF) : IF-STRY
 - (IG) : IG-STRY
 - (IH) : IH-STRY
 - (II) : II-STRY
 - (IJ) : IJ-STRY
 - (IK) : IK-STRY
 - (IL) : IL-STRY
 - (IM) : IM-STRY
 - (IN) : IN-STRY
 - (IO) : IO-STRY
 - (IP) : IP-STRY
 - (IQ) : IQ-STRY
 - (IR) : IR-STRY
 - (IS) : IS-STRY
 - (IT) : IT-STRY
 - (IU) : IU-STRY
 - (IV) : IV-STRY
 - (IW) : IW-STRY
 - (IX) : IX-STRY
 - (IY) : IY-STRY
 - (IZ) : IZ-STRY
 - (JA) : JA-STRY
 - (JB) : JB-STRY
 - (JC) : JC-STRY
 - (JD) : JD-STRY
 - (JE) : JE-STRY
 - (JF) : JF-STRY
 - (JG) : JG-STRY
 - (JH) : JH-STRY
 - (JI) : JI-STRY
 - (JJ) : JJ-STRY
 - (JK) : JK-STRY
 - (JL) : JL-STRY
 - (JM) : JM-STRY
 - (JN) : JN-STRY
 - (JO) : JO-STRY
 - (JP) : JP-STRY
 - (JQ) : JQ-STRY
 - (JR) : JR-STRY
 - (JS) : JS-STRY
 - (JT) : JT-STRY
 - (JU) : JU-STRY
 - (JV) : JV-STRY
 - (JW) : JW-STRY
 - (JX) : JX-STRY
 - (JY) : JY-STRY
 - (JZ) : JZ-STRY
 - (KA) : KA-STRY
 - (KB) : KB-STRY
 - (KC) : KC-STRY
 - (KD) : KD-STRY
 - (KE) : KE-STRY
 - (KF) : KF-STRY
 - (KG) : KG-STRY
 - (KH) : KH-STRY
 - (KI) : KI-STRY
 - (KJ) : KJ-STRY
 - (KK) : KK-STRY
 - (KL) : KL-STRY
 - (KM) : KM-STRY
 - (KN) : KN-STRY
 - (KO) : KO-STRY
 - (KP) : KP-STRY
 - (KQ) : KQ-STRY
 - (KR) : KR-STRY
 - (KS) : KS-STRY
 - (KT) : KT-STRY
 - (KU) : KU-STRY
 - (KV) : KV-STRY
 - (KW) : KW-STRY
 - (KX) : KX-STRY
 - (KY) : KY-STRY
 - (KZ) : KZ-STRY
 - (LA) : LA-STRY
 - (LB) : LB-STRY
 - (LC) : LC-STRY
 - (LD) : LD-STRY
 - (LE) : LE-STRY
 - (LF) : LF-STRY
 - (LG) : LG-STRY
 - (LH) : LH-STRY
 - (LI) : LI-STRY
 - (LJ) : LJ-STRY
 - (LK) : LK-STRY
 - (LL) : LL-STRY
 - (LM) : LM-STRY
 - (LN) : LN-STRY
 - (LO) : LO-STRY
 - (LP) : LP-STRY
 - (LQ) : LQ-STRY
 - (LR) : LR-STRY
 - (LS) : LS-STRY
 - (LT) : LT-STRY
 - (LU) : LU-STRY
 - (LV) : LV-STRY
 - (LW) : LW-STRY
 - (LX) : LX-STRY
 - (LY) : LY-STRY
 - (LZ) : LZ-STRY
 - (MA) : MA-STRY
 - (MB) : MB-STRY
 - (MC) : MC-STRY
 - (MD) : MD-STRY
 - (ME) : ME-STRY
 - (MF) : MF-STRY
 - (MG) : MG-STRY
 - (MH) : MH-STRY
 - (MI) : MI-STRY
 - (MJ) : MJ-STRY
 - (MK) : MK-STRY
 - (ML) : ML-STRY
 - (MN) : MN-STRY
 - (MO) : MO-STRY
 - (MP) : MP-STRY
 - (MQ) : MQ-STRY
 - (MR) : MR-STRY
 - (MS) : MS-STRY
 - (MT) : MT-STRY
 - (MU) : MU-STRY
 - (MV) : MV-STRY
 - (MW) : MW-STRY
 - (MX) : MX-STRY
 - (MY) : MY-STRY
 - (MZ) : MZ-STRY
 - (NA) : NA-STRY
 - (NB) : NB-STRY
 - (NC) : NC-STRY
 - (ND) : ND-STRY
 - (NE) : NE-STRY
 - (NF) : NF-STRY
 - (NG) : NG-STRY
 - (NH) : NH-STRY
 - (NI) : NI-STRY
 - (NJ) : NJ-STRY
 - (NK) : NK-STRY
 - (NL) : NL-STRY
 - (NM) : NM-STRY
 - (NN) : NN-STRY
 - (NO) : NO-STRY
 - (NP) : NP-STRY
 - (NQ) : NQ-STRY
 - (NR) : NR-STRY
 - (NS) : NS-STRY
 - (NT) : NT-STRY
 - (NU) : NU-STRY
 - (NV) : NV-STRY
 - (NW) : NW-STRY
 - (NX) : NX-STRY
 - (NY) : NY-STRY
 - (NZ) : NZ-STRY
 - (OA) : OA-STRY
 - (OB) : OB-STRY
 - (OC) : OC-STRY
 - (OD) : OD-STRY
 - (OE) : OE-STRY
 - (OF) : OF-STRY
 - (OG) : OG-STRY
 - (OH) : OH-STRY
 - (OI) : OI-STRY
 - (OJ) : OJ-STRY
 - (OK) : OK-STRY
 - (OL) : OL-STRY
 - (OM) : OM-STRY
 - (ON) : ON-STRY
 - (OO) : OO-STRY
 - (OP) : OP-STRY
 - (OQ) : OQ-STRY
 - (OR) : OR-STRY
 - (OS) : OS-STRY
 - (OT) : OT-STRY
 - (OU) : OU-STRY
 - (OV) : OV-STRY
 - (OW) : OW-STRY
 - (OX) : OX-STRY
 - (OY) : OY-STRY
 - (OZ) : OZ-STRY
 - (PA) : PA-STRY
 - (PB) : PB-STRY
 - (PC) : PC-STRY
 - (PD) : PD-STRY
 - (PE) : PE-STRY
 - (PF) : PF-STRY
 - (PG) : PG-STRY
 - (PH) : PH-STRY
 - (PI) : PI-STRY
 - (PJ) : PJ-STRY
 - (PK) : PK-STRY
 - (PL) : PL-STRY
 - (PM) : PM-STRY
 - (PN) : PN-STRY
 - (PO) : PO-STRY
 - (PP) : PP-STRY
 - (PQ) : PQ-STRY
 - (PR) : PR-STRY
 - (PS) : PS-STRY
 - (PT) : PT-STRY
 - (PU) : PU-STRY
 - (PV) : PV-STRY
 - (PW) : PW-STRY
 - (PX) : PX-STRY
 - (PY) : PY-STRY
 - (PZ) : PZ-STRY
 - (QA) : QA-STRY
 - (QB) : QB-STRY
 - (QC) : QC-STRY
 - (QD) : QD-STRY
 - (QE) : QE-STRY
 - (QF) : QF-STRY
 - (QG) : QG-STRY
 - (QH) : QH-STRY
 - (QI) : QI-STRY
 - (QJ) : QJ-STRY
 - (QK) : QK-STRY
 - (QL) : QL-STRY
 - (QM) : QM-STRY
 - (QN) : QN-STRY
 - (QO) : QO-STRY
 - (QP) : QP-STRY
 - (QQ) : QQ-STRY
 - (QR) : QR-STRY
 - (QS) : QS-STRY
 - (QT) : QT-STRY
 - (QU) : QU-STRY
 - (QV) : QV-STRY
 - (QW) : QW-STRY
 - (QX) : QX-STRY
 - (QY) : QY-STRY
 - (QZ) : QZ-STRY
 - (RA) : RA-STRY
 - (RB) : RB-STRY
 - (RC) : RC-STRY
 - (RD) : RD-STRY
 - (RE) : RE-STRY
 - (RF) : RF-STRY
 - (RG) : RG-STRY
 - (RH) : RH-STRY
 - (RI) : RI-STRY
 - (RJ) : RJ-STRY
 - (RK) : RK-STRY
 - (RL) : RL-STRY
 - (RM) : RM-STRY
 - (RN) : RN-STRY
 - (RO) : RO-STRY
 - (RP) : RP-STRY
 - (RQ) : RQ-STRY
 - (RR) : RR-STRY
 - (RS) : RS-STRY
 - (RT) : RT-STRY
 - (RU) : RU-STRY
 - (RV) : RV-STRY
 - (RW) : RW-STRY
 - (RX) : RX-STRY
 - (RY) : RY-STRY
 - (RZ) : RZ-STRY
 - (SA) : SA-STRY
 - (SB) : SB-STRY
 - (SC) : SC-STRY
 - (SD) : SD-STRY
 - (SE) : SE-STRY
 - (SF) : SF-STRY
 - (SG) : SG-STRY
 - (SH) : SH-STRY
 - (SI) : SI-STRY
 - (SJ) : SJ-STRY
 - (SK) : SK-STRY
 - (SL) : SL-STRY
 - (SM) : SM-STRY
 - (SN) : SN-STRY
 - (SO) : SO-STRY
 - (SP) : SP-STRY
 - (SQ) : SQ-STRY
 - (SR) : SR-STRY
 - (SS) : SS-STRY
 - (ST) : ST-STRY
 - (SU) : SU-STRY
 - (SV) : SV-STRY
 - (SW) : SW-STRY
 - (SX) : SX-STRY
 - (SY) : SY-STRY
 - (SZ) : SZ-STRY
 - (TA) : TA-STRY
 - (TB) : TB-STRY
 - (TC) : TC-STRY
 - (TD) : TD-STRY
 - (TE) : TE-STRY
 - (TF) : TF-STRY
 - (TG) : TG-STRY
 - (TH) : TH-STRY
 - (TI) : TI-STRY
 - (TJ) : TJ-STRY
 - (TK) : TK-STRY
 - (TL) : TL-STRY
 - (TM) : TM-STRY
 - (TN) : TN-STRY
 - (TO) : TO-STRY
 - (TP) : TP-STRY
 - (TQ) : TQ-STRY
 - (TR) : TR-STRY
 - (TS) : TS-STRY
 - (TT) : TT-STRY
 - (TU) : TU-STRY
 - (TV) : TV-STRY
 - (TW) : TW-STRY
 - (TX) : TX-STRY
 - (TY) : TY-STRY
 - (TZ) : TZ-STRY
 - (UA) : UA-STRY
 - (UB) : UB-STRY
 - (UC) : UC-STRY
 - (UD) : UD-STRY
 - (UE) : UE-STRY
 - (UF) : UF-STRY
 - (UG) : UG-STRY
 - (UH) : UH-STRY
 - (UI) : UI-STRY
 - (UJ) : UJ-STRY
 - (UK) : UK-STRY
 - (UL) : UL-STRY
 - (UM) : UM-STRY
 - (UN) : UN-STRY
 - (UO) : UO-STRY
 - (UP) : UP-STRY
 - (UQ) : UQ-STRY
 - (UR) : UR-STRY
 - (US) : US-STRY
 - (UT) : UT-STRY
 - (UU) : UU-STRY
 - (UV) : UV-STRY
 - (UW) : UW-STRY
 - (UX) : UX-STRY
 - (UY) : UY-STRY
 - (UZ) : UZ-STRY
 - (VA) : VA-STRY
 - (VB) : VB-STRY
 - (VC) : VC-STRY
 - (VD) : VD-STRY
 - (VE) : VE-STRY
 - (VF) : VF-STRY
 - (VG) : VG-STRY
 - (VH) : VH-STRY
 - (VI) : VI-STRY
 - (VJ) : VJ-STRY
 - (VK) : VK-STRY
 - (VL) : VL-STRY
 - (VM) : VM-STRY
 - (VN) : VN-STRY
 - (VO) : VO-STRY
 - (VP) : VP-STRY
 - (VQ) : VQ-STRY
 - (VR) : VR-STRY
 - (VS) : VS-STRY
 - (VT) : VT-STRY
 - (VU) : VU-STRY
 - (VV) : VV-STRY
 - (VW) : VW-STRY
 - (VX) : VX-STRY
 - (VY) : VY-STRY
 - (VZ) : VZ-STRY
 - (WA) : WA-STRY
 - (WB) : WB-STRY
 - (WC) : WC-STRY
 - (WD) : WD-STRY
 - (WE) : WE-STRY
 - (WF) : WF-STRY
 - (WG) : WG-STRY
 - (WH) : WH-STRY
 - (WI) : WI-STRY
 - (WJ) : WJ-STRY
 - (WK) : WK-STRY
 - (WL) : WL-STRY
 - (WM) : WM-STRY
 - (WN) : WN-STRY
 - (WO) : WO-STRY
 - (WP) : WP-STRY
 - (WQ) : WQ-STRY
 - (WR) : WR-STRY
 - (WS) : WS-STRY
 - (WT) : WT-STRY
 - (WU) : WU-STRY
 - (WV) : WV-STRY
 - (WW) : WW-STRY
 - (WX) : WX-STRY
 - (WY) : WY-STRY
 - (WZ) : WZ-STRY
 - (XA) : XA-STRY
 - (XB) : XB-STRY
 - (XC) : XC-STRY
 - (XD) : XD-STRY
 - (XE) : XE-STRY
 - (XF) : XF-STRY
 - (XG) : XG-STRY
 - (XH) : XH-STRY
 - (XI) : XI-STRY
 - (XJ) : XJ-STRY
 - (XK) : XK-STRY
 - (XL) : XL-STRY
 - (XM) : XM-STRY
 - (XN) : XN-STRY
 - (XO) : XO-STRY
 - (XP) : XP-STRY
 - (XQ) : XQ-STRY
 - (XR) : XR-STRY
 - (XS) : XS-STRY
 - (XT) : XT-STRY
 - (XU) : XU-STRY
 - (XV) : XV-STRY
 - (XW) : XW-STRY
 - (XX) : XX-STRY
 - (XY) : XY-STRY
 - (XZ) : XZ-STRY
 - (YA) : YA-STRY
 - (YB) : YB-STRY
 - (YC) : YC-STRY
 - (YD) : YD-STRY
 - (YE) : YE-STRY
 - (YF) : YF-STRY
 - (YG) : YG-STRY
 - (YH) : YH-STRY
 - (YI) : YI-STRY
 - (YJ) : YJ-STRY
 - (YK) : YK-STRY
 - (YL) : YL-STRY
 - (YM) : YM-STRY
 - (YN) : YN-STRY
 - (YO) : YO-STRY
 - (YP) : YP-STRY
 - (YQ) : YQ-STRY
 - (YR) : YR-STRY
 - (YS) : YS-STRY
 - (YT) : YT-STRY
 - (YU) : YU-STRY
 - (YV) : YV-STRY
 - (YW) : YW-STRY
 - (YX) : YX-STRY
 - (YY) : YY-STRY
 - (YZ) : YZ-STRY
 - (ZA) : ZA-STRY
 - (ZB) : ZB-STRY
 - (ZC) : ZC-STRY
 - (ZD) : ZD-STRY
 - (ZE) : ZE-STRY
 - (ZF) : ZF-STRY
 - (ZG) : ZG-STRY
 - (ZH) : ZH-STRY
 - (ZI) : ZI-STRY
 - (ZJ) : ZJ-STRY
 - (ZK) : ZK-STRY
 - (ZL) : ZL-STRY
 - (ZM) : ZM-STRY
 - (ZN) : ZN-STRY
 - (ZO) : ZO-STRY
 - (ZP) : ZP-STRY
 - (ZQ) : ZQ-STRY
 - (ZR) : ZR-STRY
 - (ZS) : ZS-STRY
 - (ZT) : ZT-STRY
 - (ZU) : ZU-STRY
 - (ZV) : ZV-STRY
 - (ZW) : ZW-STRY
 - (ZX) : ZX-STRY
 - (ZY) : ZY-STRY
 - (ZZ) : ZZ-STRY

Diagnosics Point
 (M) : CHE DIGITAL Input Signal
 (S) : CHE DIGITAL Input Timecode Signal

10.37 MAIN ASSY (24/24)

1

2

3

4

A

B

C

D

E

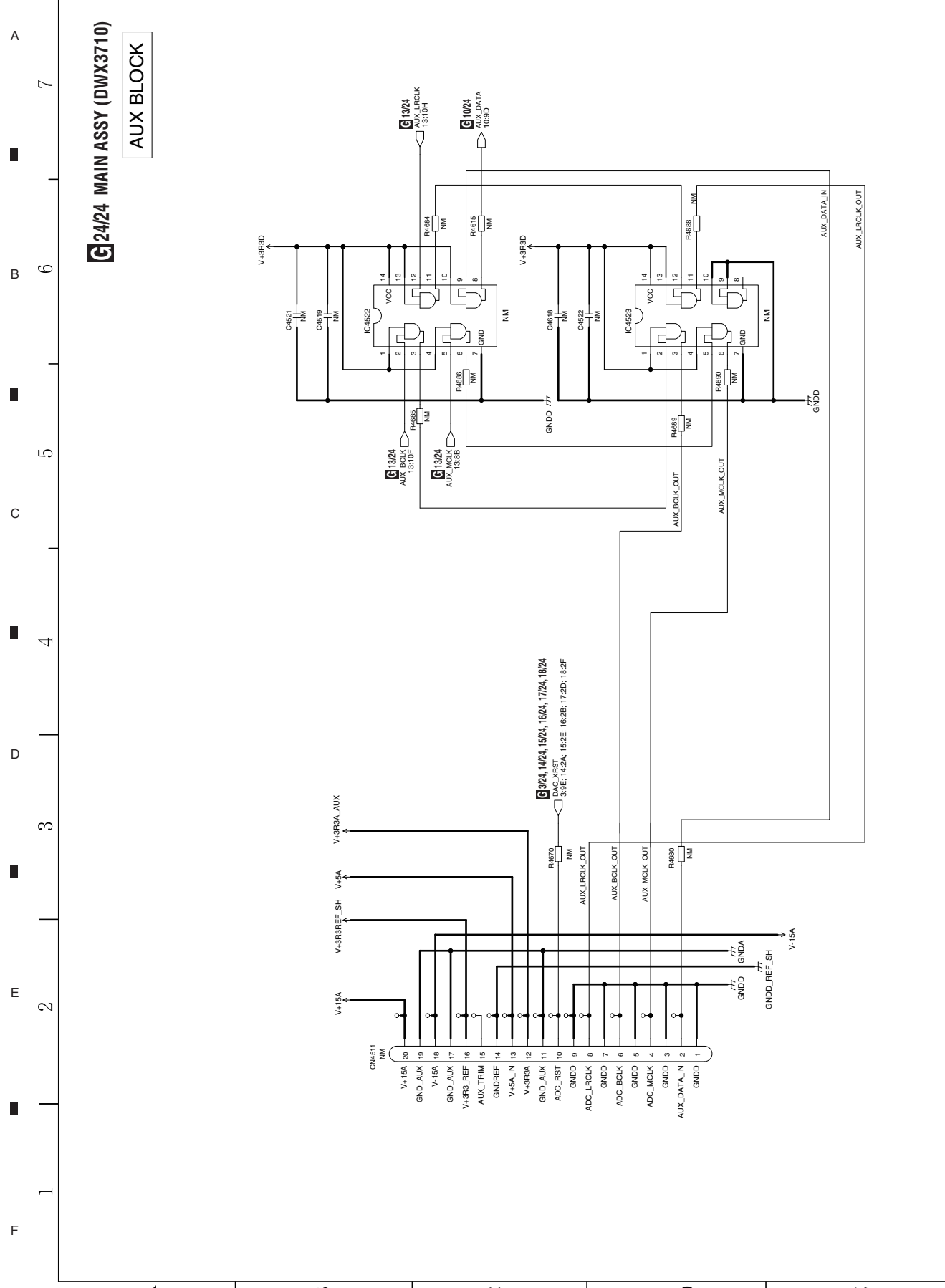
G24/24

G24/24

AUX BLOCK

G24/24 MAIN ASSY (DWX3710)

DJM-900NXS2



40

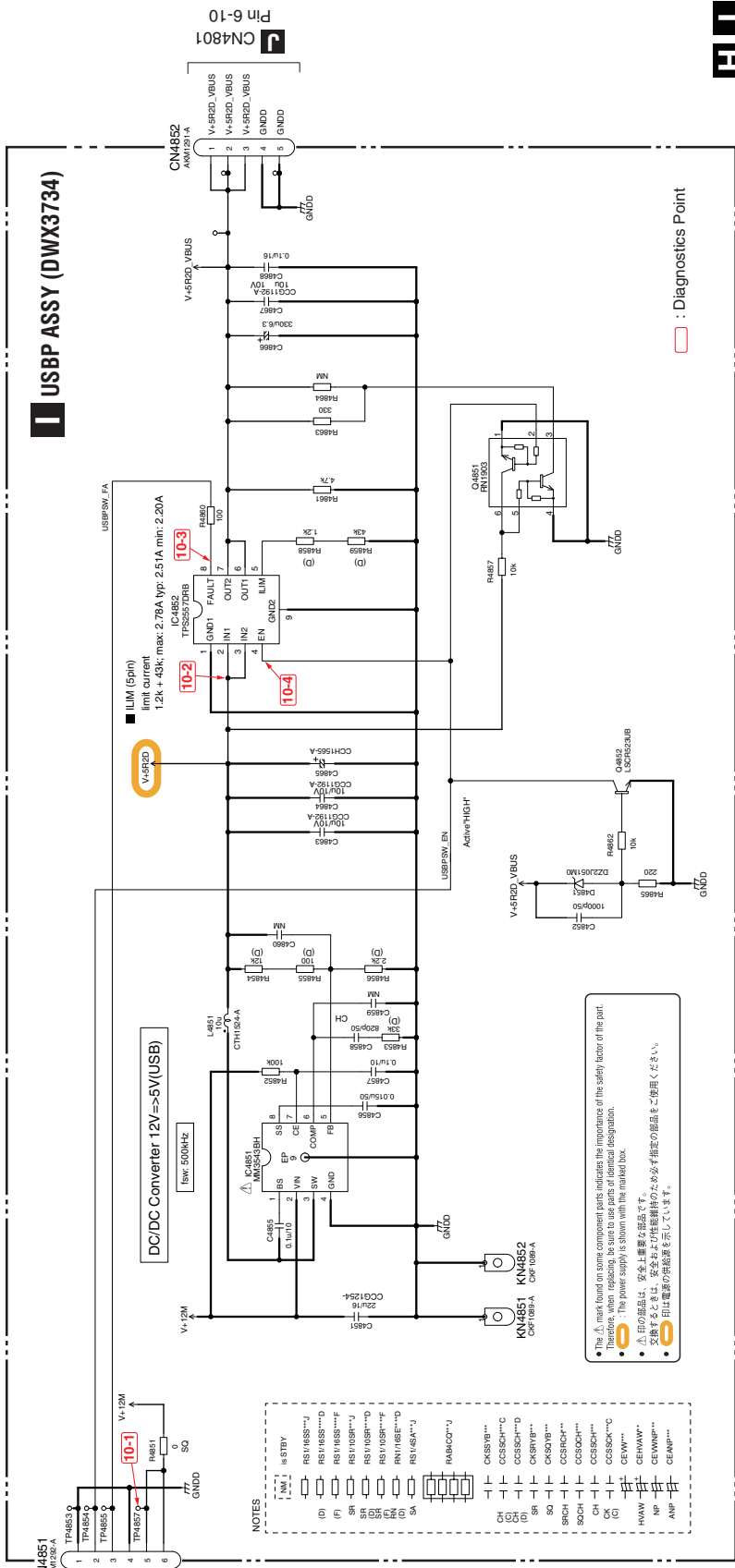
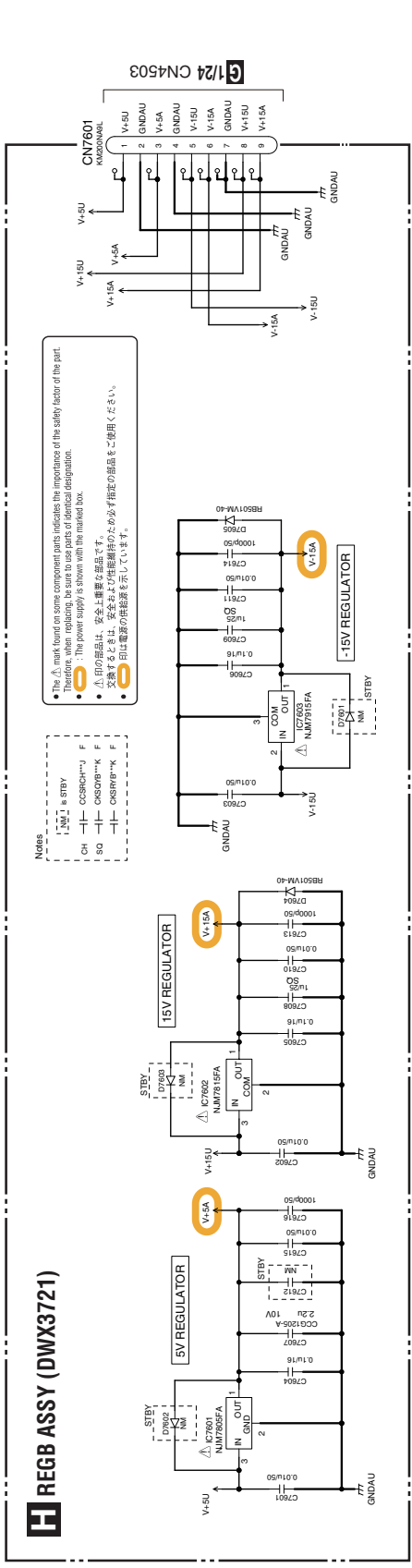
1

2

3

4

10.38 REGB and USBP ASSYS



10.39 USBC, USBB and SEND ASSYS

1

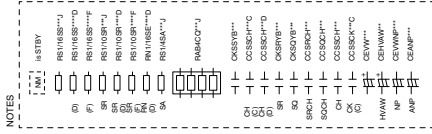
2

3

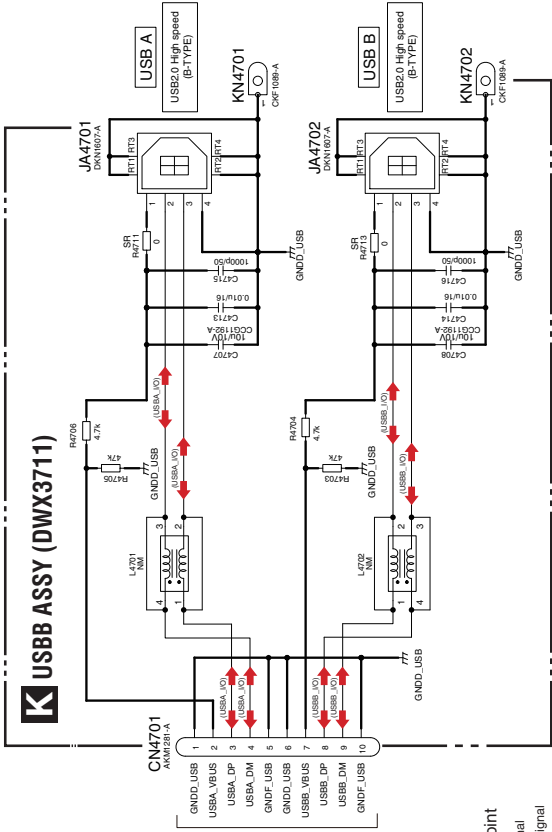
4

J K L

A



B

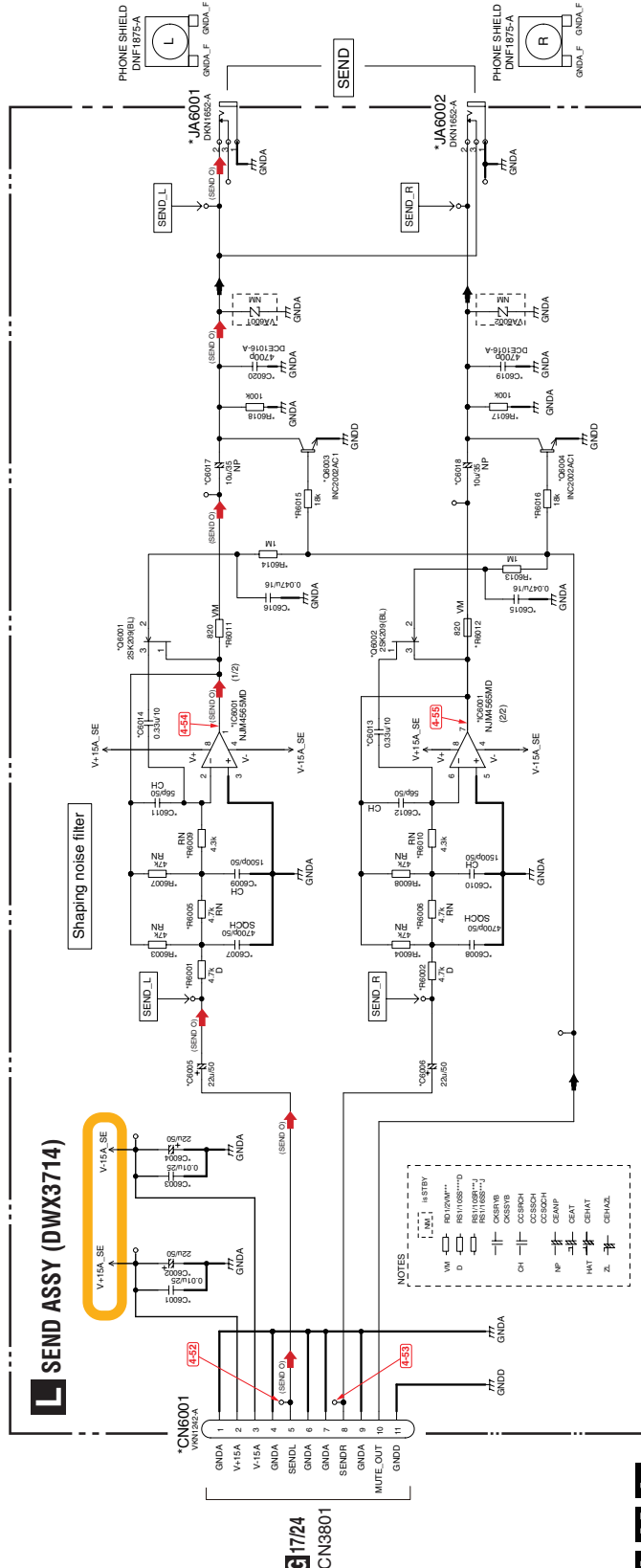
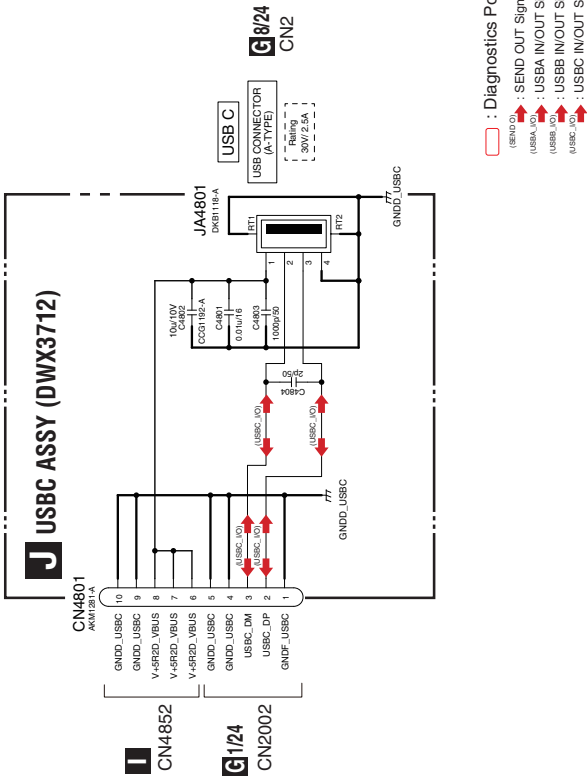


C

D

E

F



J K L

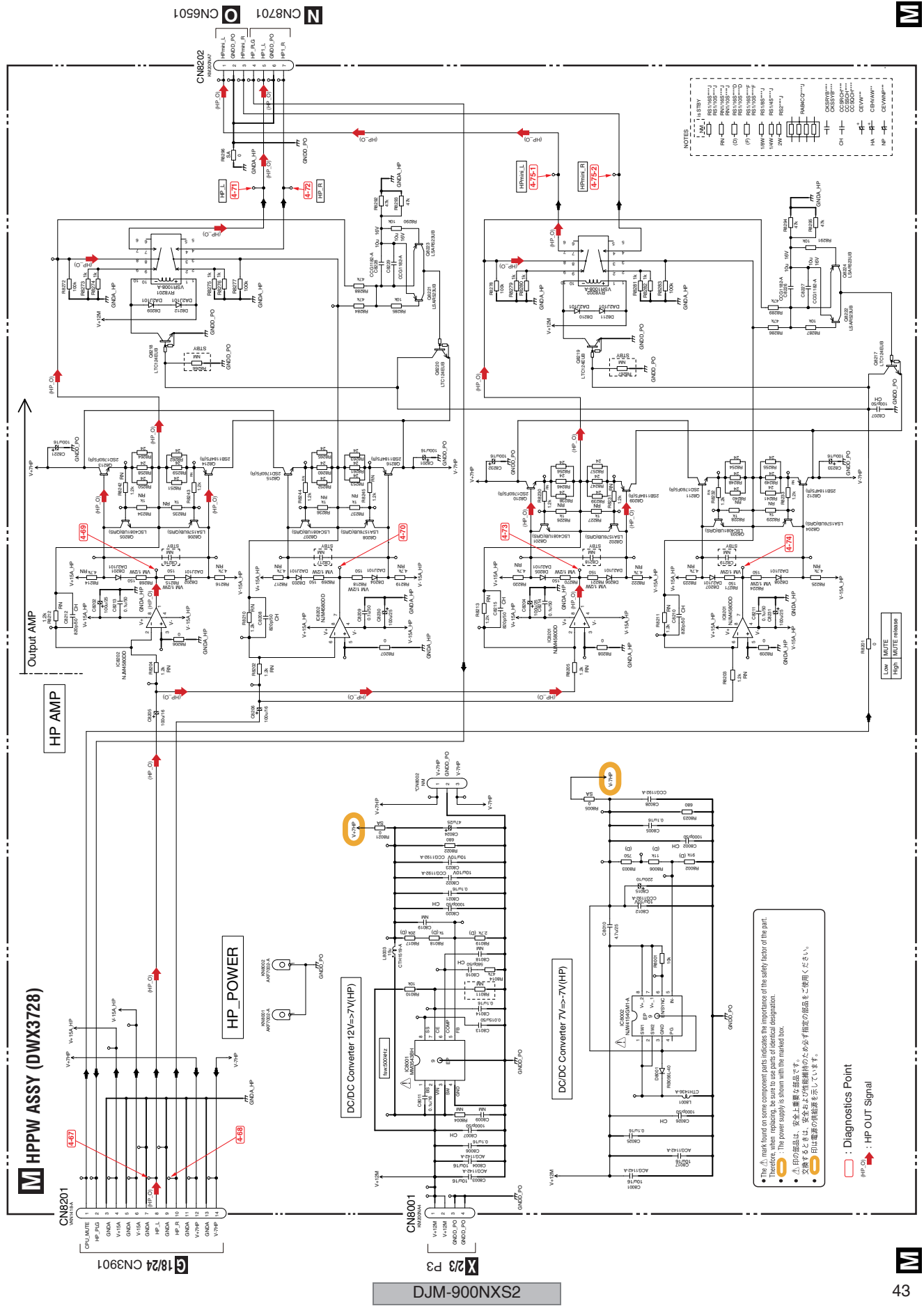
1

2

3

4

10.40 HPPW ASSY



- NOTES
- ①: In 82BY
 - ②: RS1N5908...J
 - ③: RS1N4148...J
 - ④: RS1N5908...D
 - ⑤: RS1N4148...D
 - ⑥: RS1N5908...F
 - ⑦: RS1N4148...F
 - ⑧: RS1N5908...G
 - ⑨: RS1N4148...G
 - ⑩: RS1N5908...H
 - ⑪: RS1N4148...H
 - ⑫: RS1N5908...I
 - ⑬: RS1N4148...I
 - ⑭: RS1N5908...J
 - ⑮: RS1N4148...J
 - ⑯: RS1N5908...K
 - ⑰: RS1N4148...K
 - ⑱: RS1N5908...L
 - ⑲: RS1N4148...L
 - ⑳: RS1N5908...M
 - ㉑: RS1N4148...M
 - ㉒: RS1N5908...N
 - ㉓: RS1N4148...N
 - ㉔: RS1N5908...O
 - ㉕: RS1N4148...O
 - ㉖: RS1N5908...P
 - ㉗: RS1N4148...P
 - ㉘: RS1N5908...Q
 - ㉙: RS1N4148...Q
 - ㉚: RS1N5908...R
 - ㉛: RS1N4148...R
 - ㉜: RS1N5908...S
 - ㉝: RS1N4148...S
 - ㉞: RS1N5908...T
 - ㉟: RS1N4148...T
 - ㊱: RS1N5908...U
 - ㊲: RS1N4148...U
 - ㊳: RS1N5908...V
 - ㊴: RS1N4148...V
 - ㊵: RS1N5908...W
 - ㊶: RS1N4148...W
 - ㊷: RS1N5908...X
 - ㊸: RS1N4148...X
 - ㊹: RS1N5908...Y
 - ㊺: RS1N4148...Y
 - ㊻: RS1N5908...Z
 - ㊼: RS1N4148...Z

● The Δ mark found on some component parts indicates the importance of the safety factor of the part. Therefore, when replacing, be sure to use parts of identical designation.
 ○ The power supply is shown with the marked box.
 ▲ The part number is shown with the marked box.
 ● The part number is shown with the marked box.
 ○ The part number is shown with the marked box.

● : Diagnostics Point
 HP_O : HP OUT Signal

10.41 HPJK and HPJM ASSYS

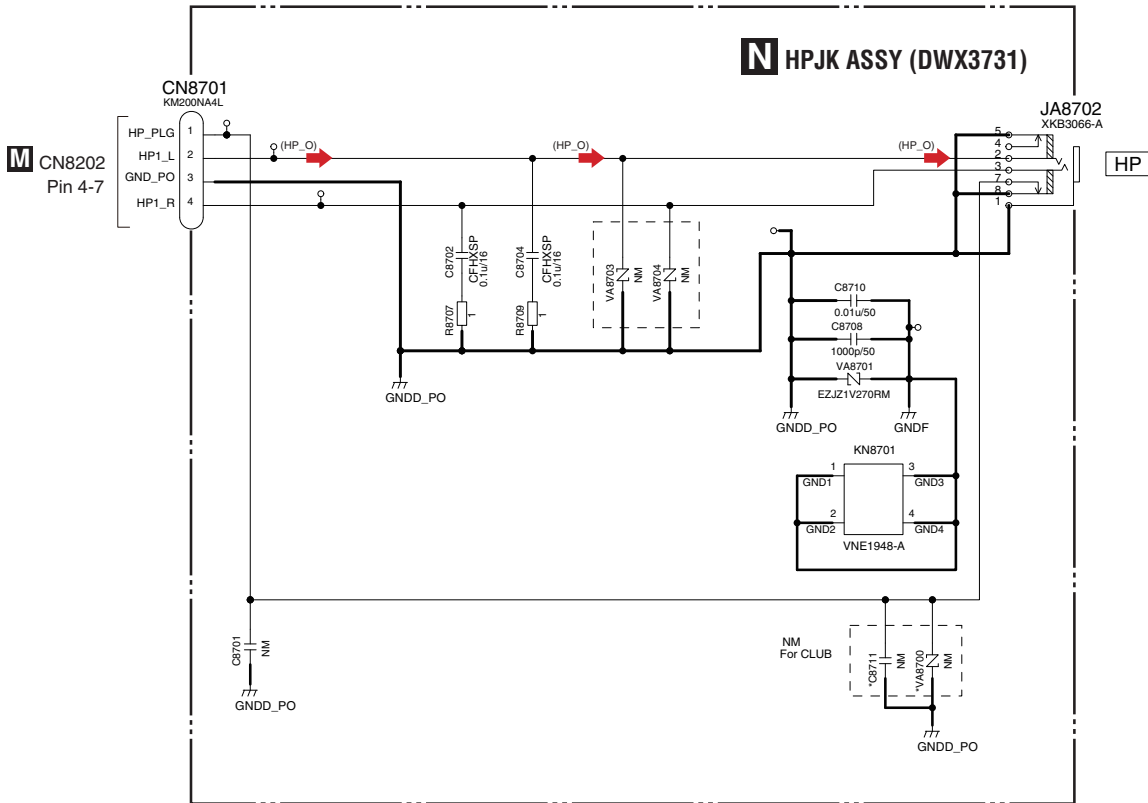
1

2

3

4

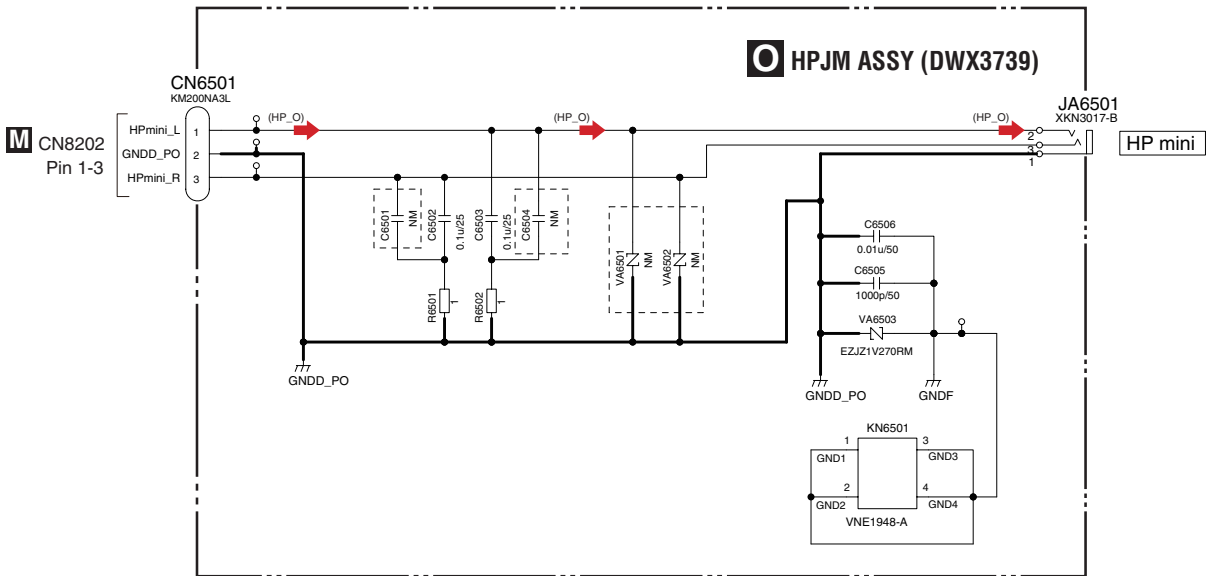
A



B

C

D



E

F

1

2

3

4

10.43 PNLA ASSY (2/3)

1

2

3

4

P2/3

A

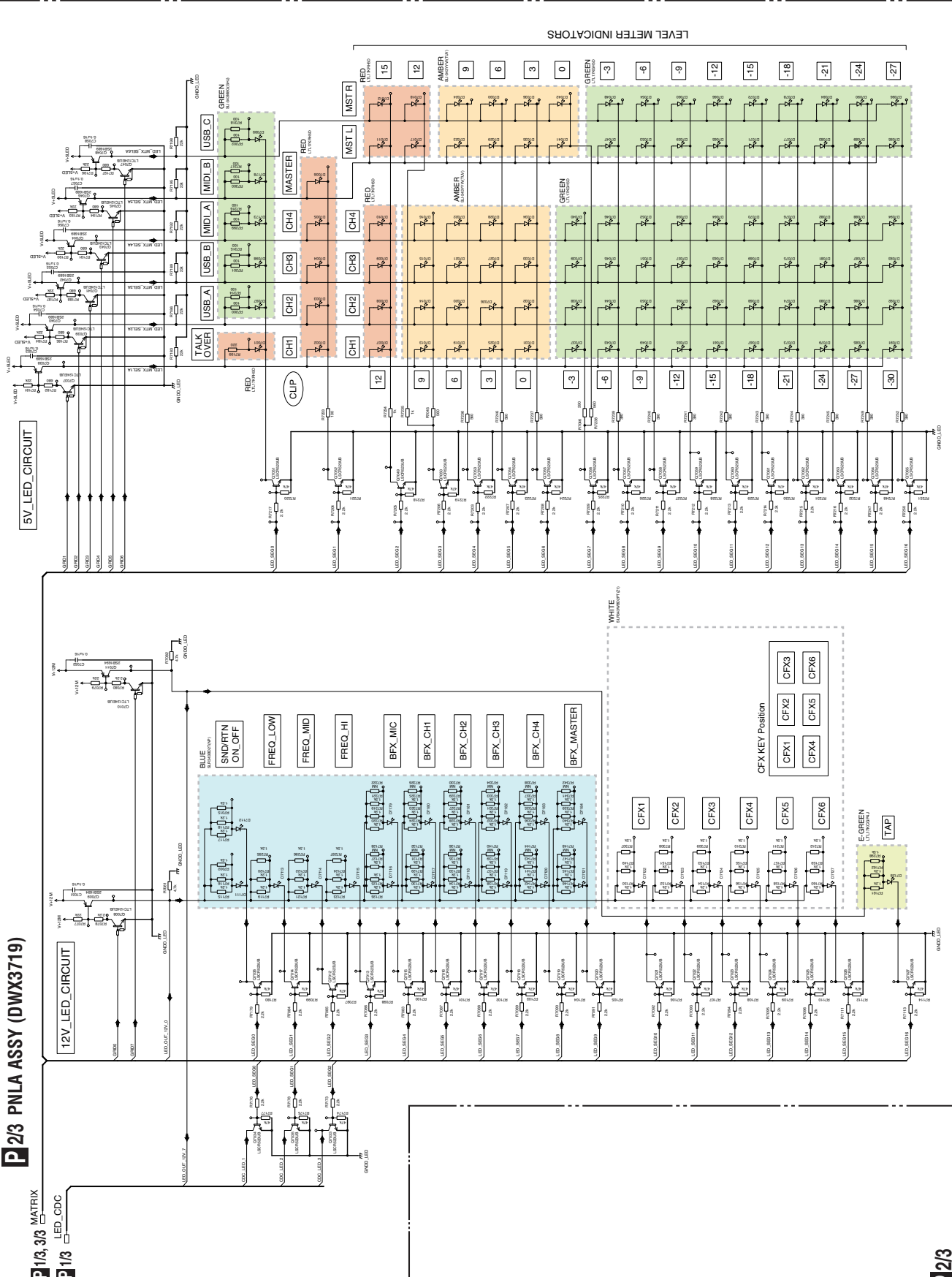
B

C

D

E

F



P2/3 PNLA ASSY (DWX3719)

P1/3, 3/3 MATRIX
LED_CDC
P1/3

DJM-900NXS2

P2/3

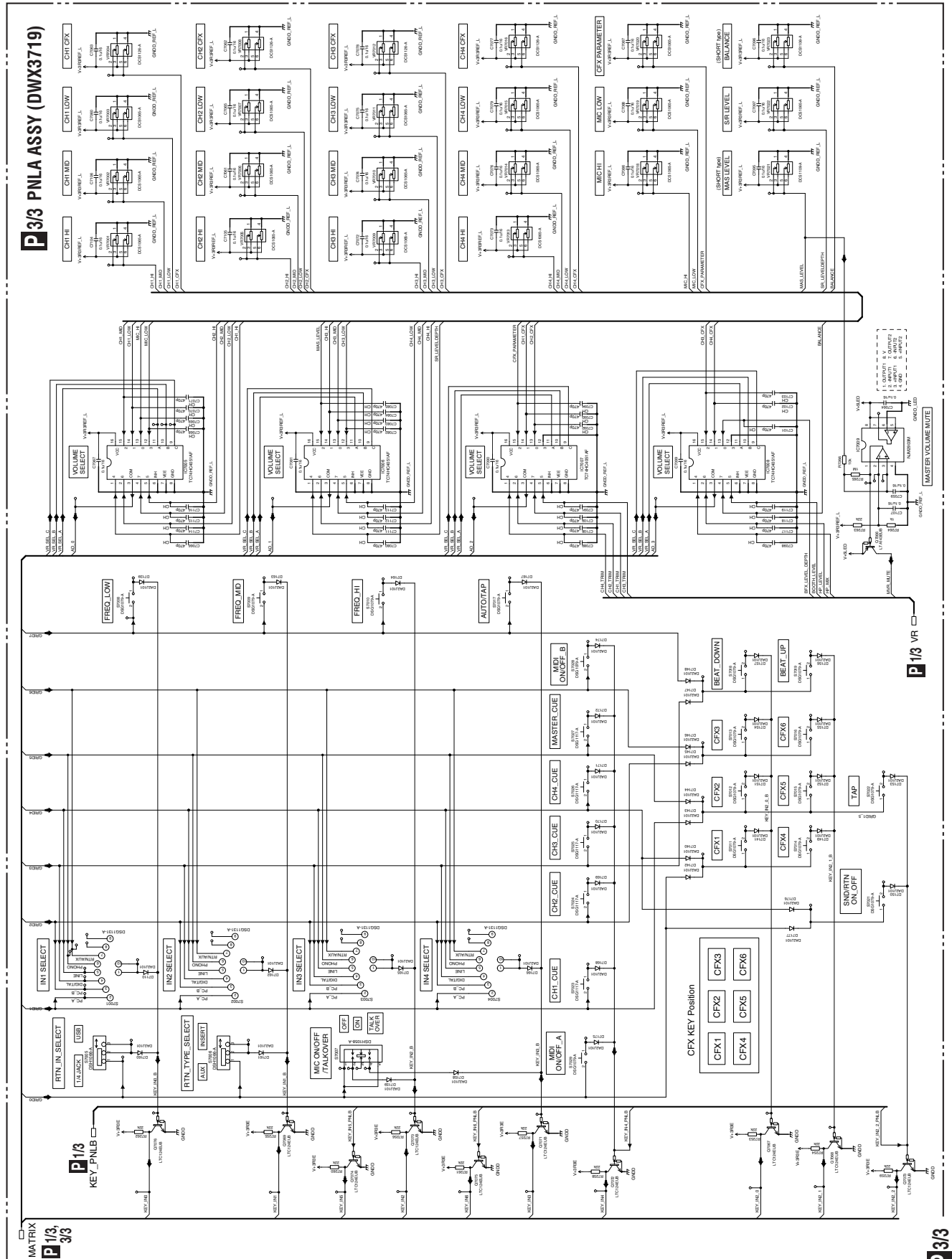
1

2

3

4

10.44 PNLA ASSY (3/3)



5

6

7

8

5

6

7

8

10.45 CDCB ASSY

1

2

3

4

A

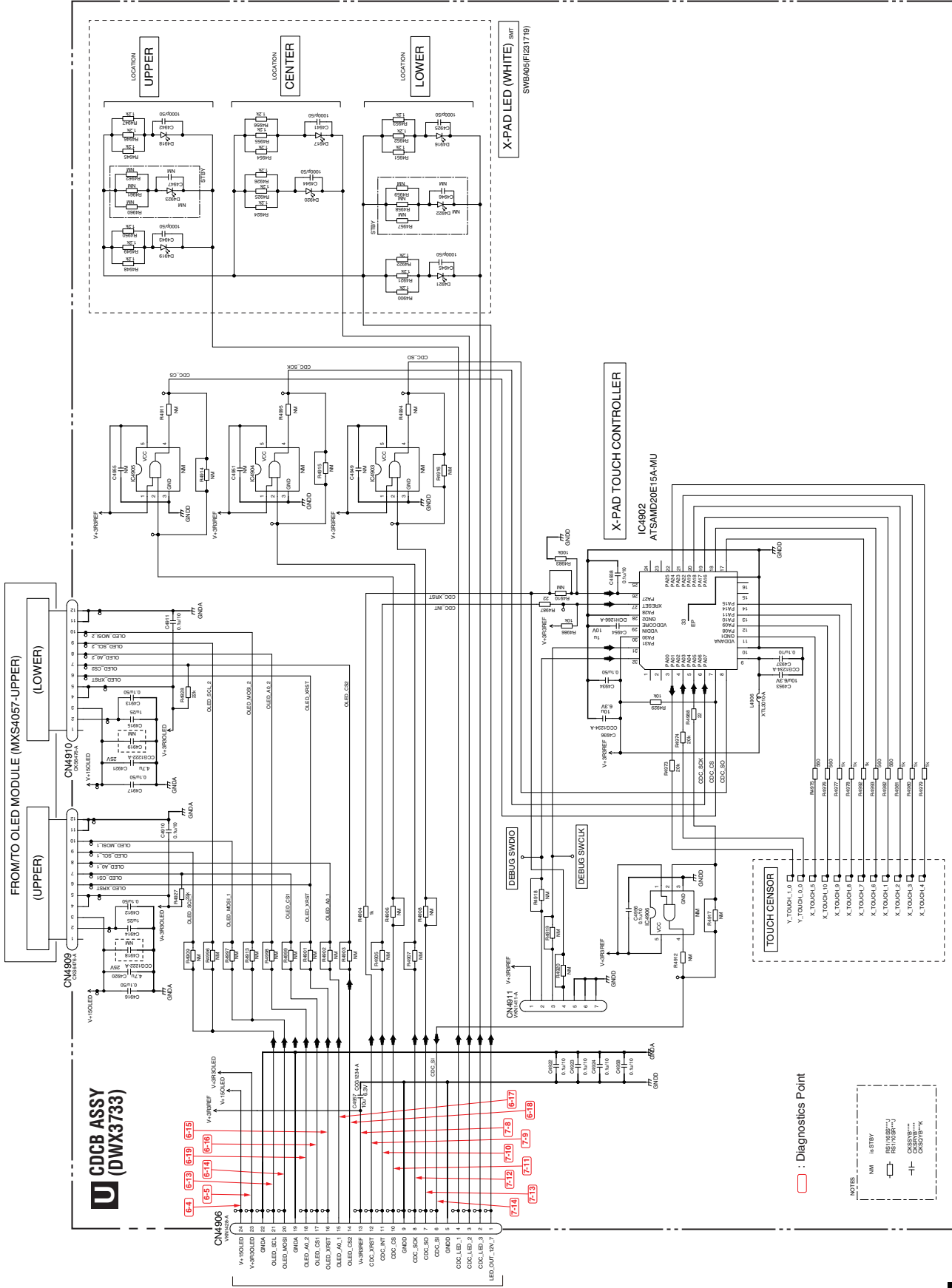
B

C

D

E

F



□ : Diagnostics Point

NOTES:
 NM is STBY
 RS10000-1J
 RS10000-1J
 CS30000-1
 CS30000-1
 CS30000-1

P1/3 CN704

DJM-900NXS2

1

2

3

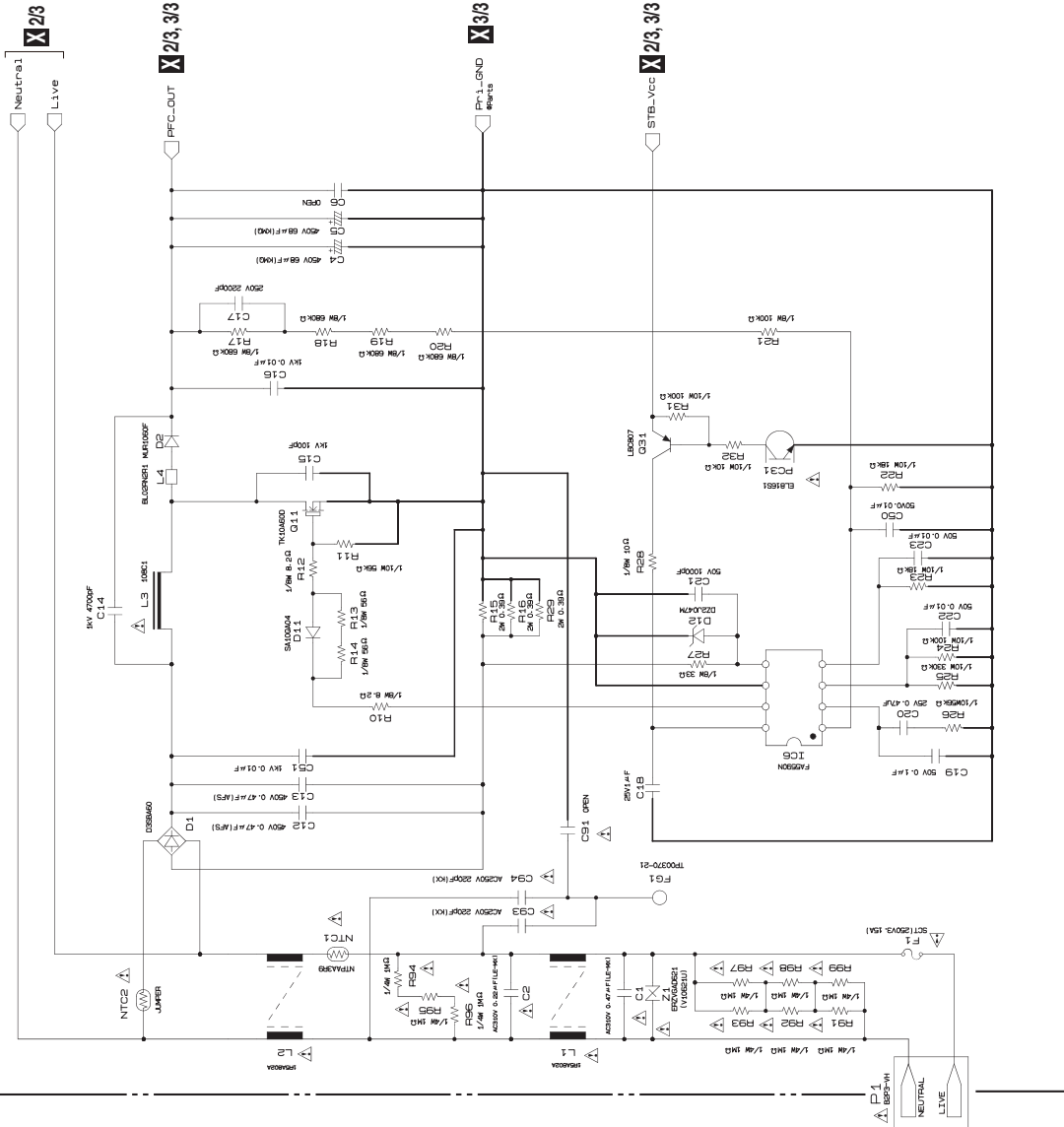
4

10.47 SW POWER SUPPLY (1/3) and ACSW ASSYS

1 2 3 4

A B C D E F

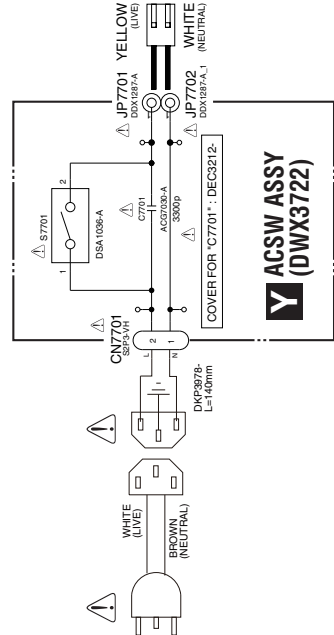
X 1/3 SW POWER SUPPLY (DWR1549)



X 1/3 Y

● The Δ mark found on some component parts indicates the importance of the safety factor of the part. Therefore, when replacing, be sure to use parts of identical designation.

● Δ 印の部品は、安全上重要な部品です。交換するときは、安全および性能維持のため必ず指定の部品をご使用ください。



X 1/3 Y

1 2 3 4

10.49 SW POWER SUPPLY (3/3)

1

2

3

4

X3/3

A

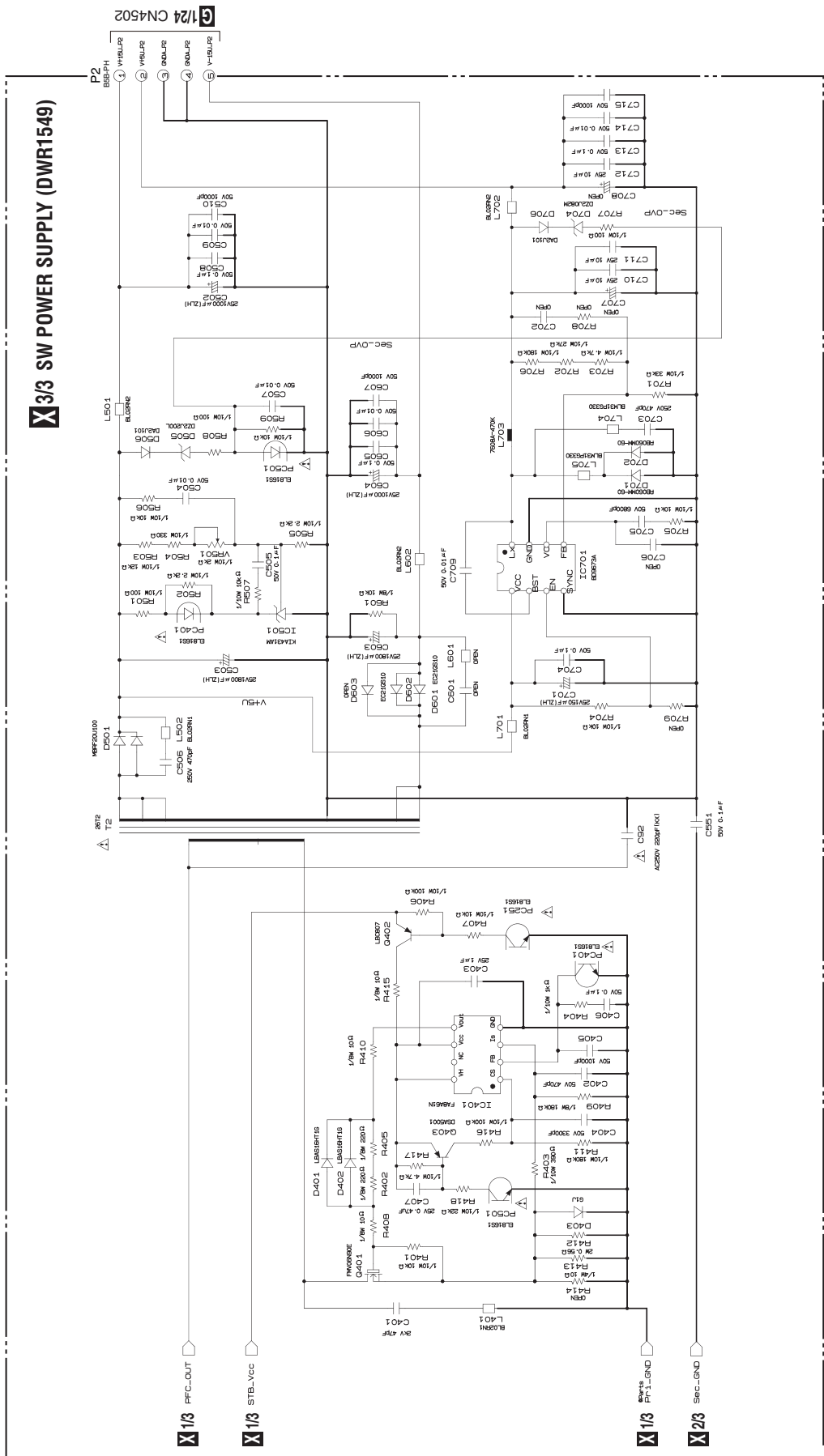
B

C

D

E

F



- The \triangle mark found on some component parts indicates the importance of the safety factor of the part. Therefore, when replacing, be sure to use parts of identical designation.
- \triangle 印の部品は、安全上重要な部品です。交換するときは、安全および性能維持のため必ず指定の部品をご使用ください。

X3/3

1

2

3

4

1

2

3

4

SIDE B

A

A

B

C

D

E

F

CN5881 1. 0.5MM
 2. 0.5MM
 3. 0.5MM
 4. 0.5MM
 5. 0.5MM
 6. 0.5MM
 7. 0.5MM
 8. 0.5MM
 9. 0.5MM
 10. 0.5MM
 11. 0.5MM

CN5801

LEP VI TU

CN5003

CN5002

CN5004

CN5101

A AINB ASSY

SIDE B

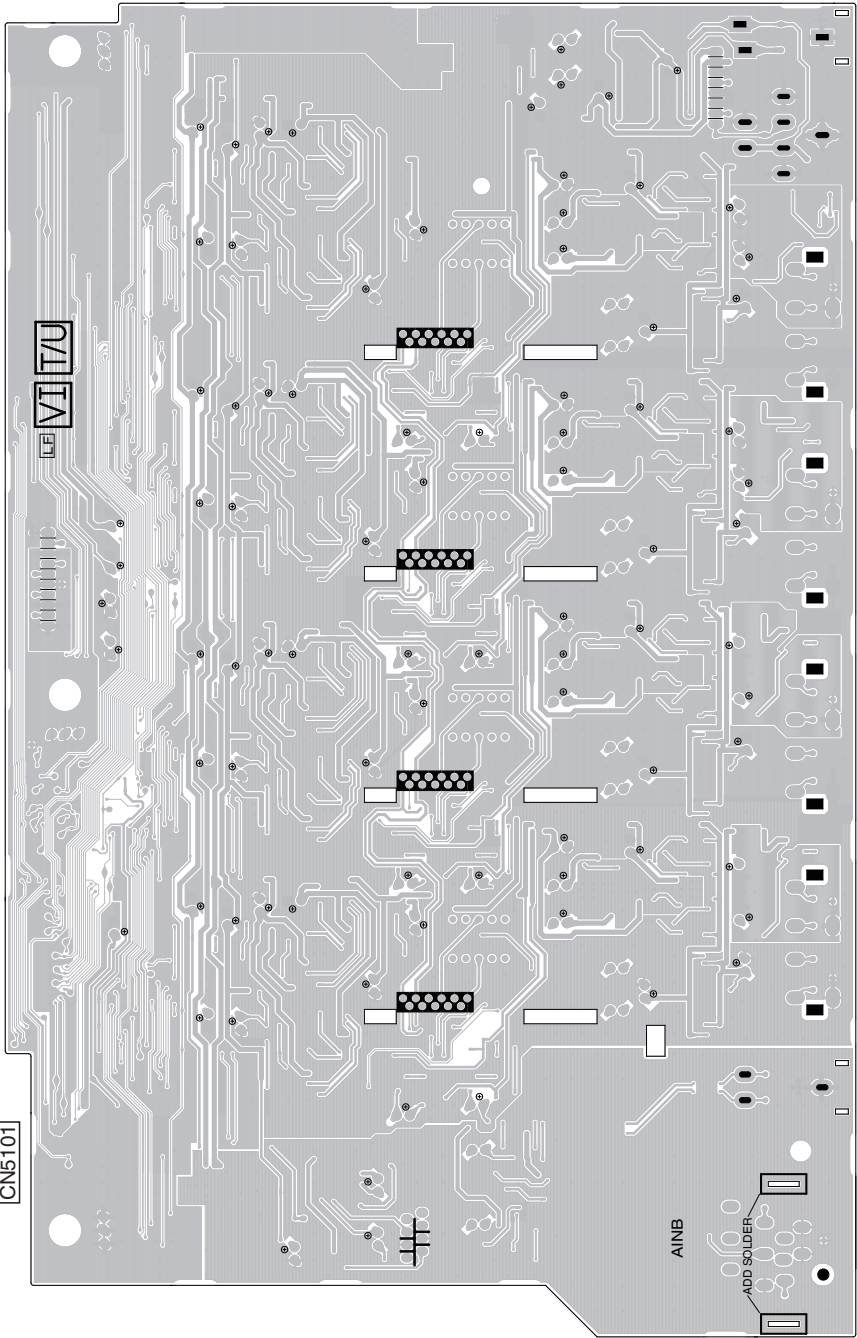
1

2

3

4

A



(DNP2783-B)

CN5601

CN5401

CN5201

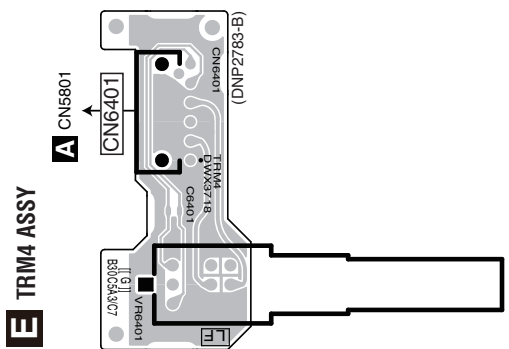
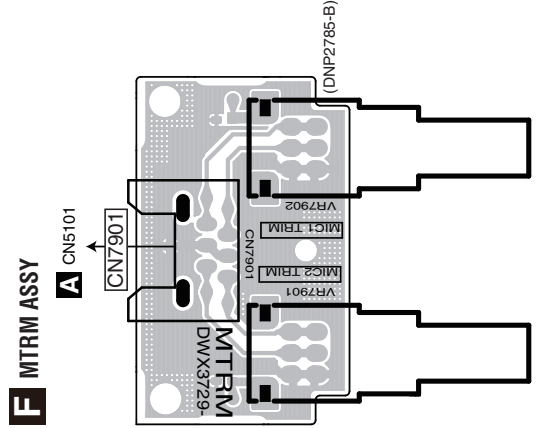
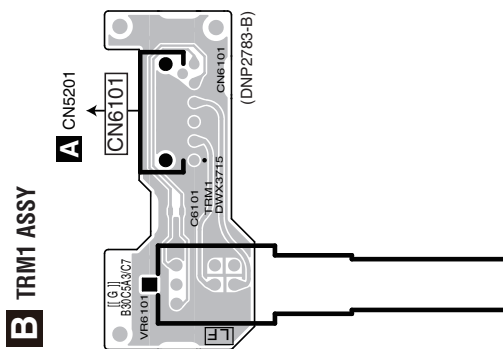
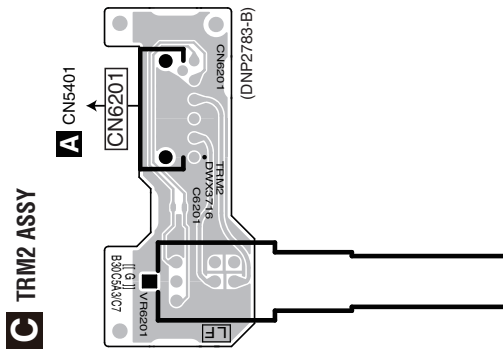
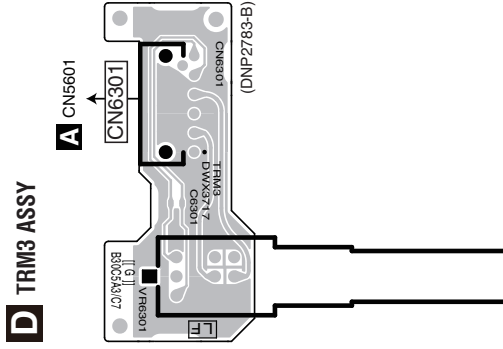
CN5681 1. 0.5MM
 2. 0.5MM
 3. 0.5MM
 4. 0.5MM
 5. 0.5MM
 6. 0.5MM
 7. 0.5MM
 8. 0.5MM
 9. 0.5MM
 10. 0.5MM
 11. 0.5MM

CN5481 1. 0.5MM
 2. 0.5MM
 3. 0.5MM
 4. 0.5MM
 5. 0.5MM
 6. 0.5MM
 7. 0.5MM
 8. 0.5MM
 9. 0.5MM
 10. 0.5MM
 11. 0.5MM

CN5281 1. 0.5MM
 2. 0.5MM
 3. 0.5MM
 4. 0.5MM
 5. 0.5MM
 6. 0.5MM
 7. 0.5MM
 8. 0.5MM
 9. 0.5MM
 10. 0.5MM
 11. 0.5MM

11.2 TRM1 to TRM4 and MTRIM ASSYS

SIDE A



SIDE A

B C D E F

B

C

D

E

B C D E F

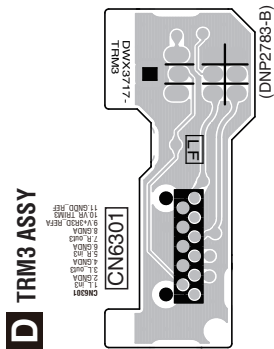
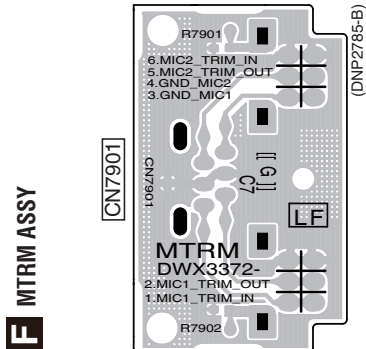
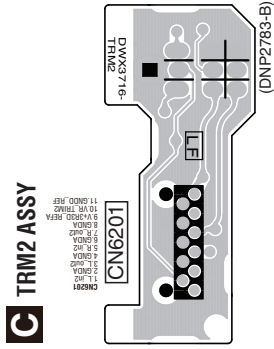
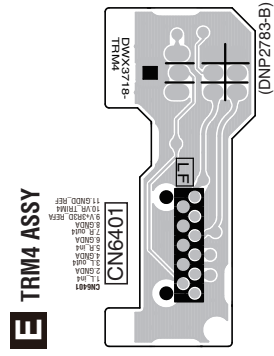
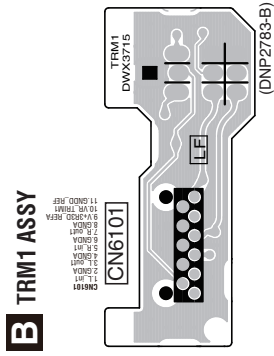
1

2

3

4

SIDE B



SIDE B

1

2

3

4

DJM-900NXS2

A

B

C

D

E

F

B C D E F

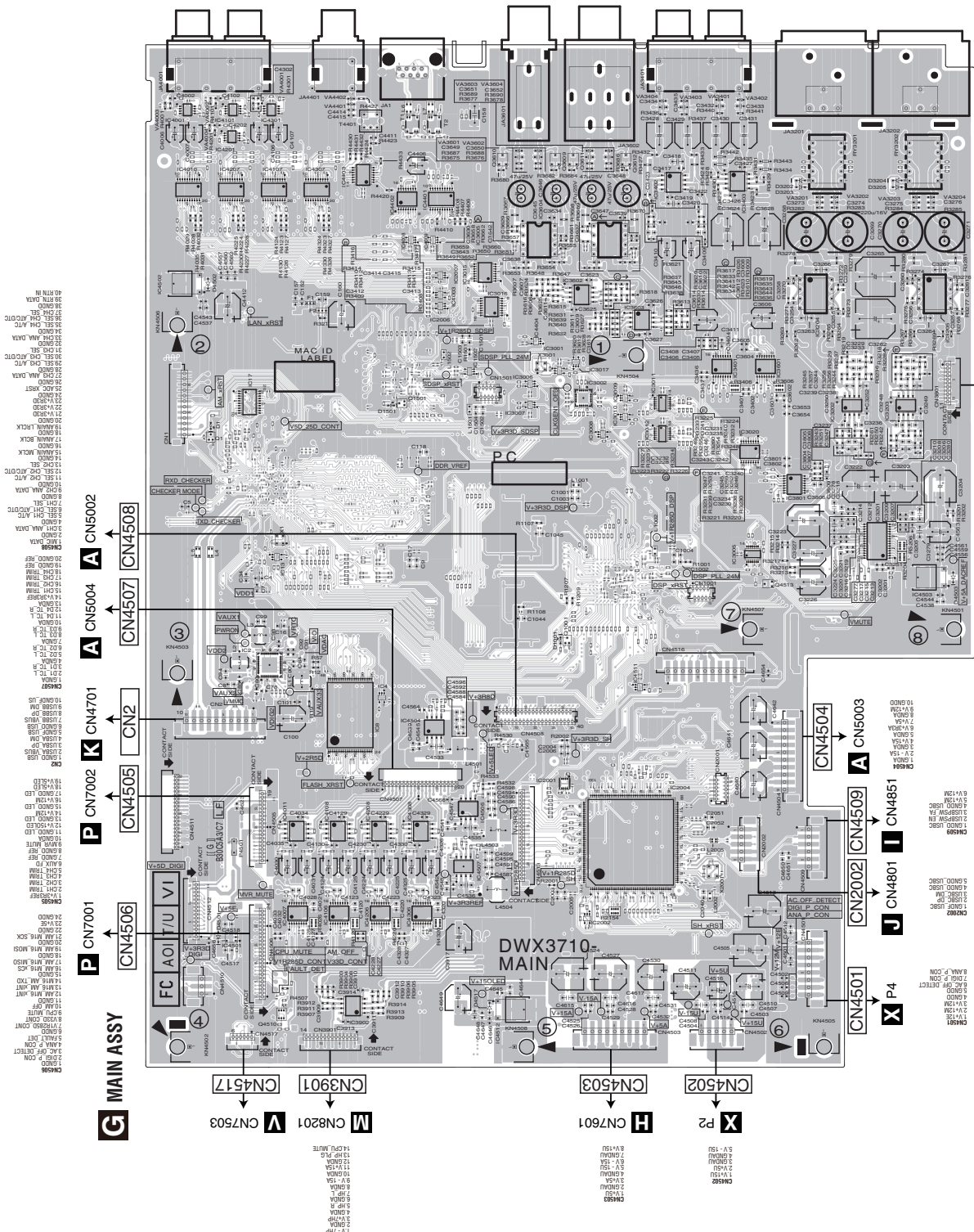
B C D E F

11.3 MAIN ASSY

SIDE A

SIDE A

- IC0002
- IC0003
- IC0004
- IC0005
- IC0006
- IC0007
- IC0008
- IC0009
- IC0010
- IC0011
- IC0012
- IC0013
- IC0014
- IC0015
- IC0016
- IC0017
- IC0018
- IC0019
- IC0020
- IC0021
- IC0022
- IC0023
- IC0024
- IC0025
- IC0026
- IC0027
- IC0028
- IC0029
- IC0030
- IC0031
- IC0032
- IC0033
- IC0034
- IC0035
- IC0036
- IC0037
- IC0038
- IC0039
- IC0040
- IC0041
- IC0042
- IC0043
- IC0044
- IC0045
- IC0046
- IC0047
- IC0048
- IC0049
- IC0050
- IC0051
- IC0052
- IC0053
- IC0054
- IC0055
- IC0056
- IC0057
- IC0058
- IC0059
- IC0060
- IC0061
- IC0062
- IC0063
- IC0064
- IC0065
- IC0066
- IC0067
- IC0068
- IC0069
- IC0070
- IC0071
- IC0072
- IC0073
- IC0074
- IC0075
- IC0076
- IC0077
- IC0078
- IC0079
- IC0080
- IC0081
- IC0082
- IC0083
- IC0084
- IC0085
- IC0086
- IC0087
- IC0088
- IC0089
- IC0090
- IC0091
- IC0092
- IC0093
- IC0094
- IC0095
- IC0096
- IC0097
- IC0098
- IC0099
- IC0100
- IC0101
- IC0102
- IC0103
- IC0104
- IC0105
- IC0106
- IC0107
- IC0108
- IC0109
- IC0110
- IC0111
- IC0112
- IC0113
- IC0114
- IC0115
- IC0116
- IC0117
- IC0118
- IC0119
- IC0120
- IC0121
- IC0122
- IC0123
- IC0124
- IC0125
- IC0126
- IC0127
- IC0128
- IC0129
- IC0130
- IC0131
- IC0132
- IC0133
- IC0134
- IC0135
- IC0136
- IC0137
- IC0138
- IC0139
- IC0140
- IC0141
- IC0142
- IC0143
- IC0144
- IC0145
- IC0146
- IC0147
- IC0148
- IC0149
- IC0150
- IC0151
- IC0152
- IC0153
- IC0154
- IC0155
- IC0156
- IC0157
- IC0158
- IC0159
- IC0160
- IC0161
- IC0162
- IC0163
- IC0164
- IC0165
- IC0166
- IC0167
- IC0168
- IC0169
- IC0170
- IC0171
- IC0172
- IC0173
- IC0174
- IC0175
- IC0176
- IC0177
- IC0178
- IC0179
- IC0180
- IC0181
- IC0182
- IC0183
- IC0184
- IC0185
- IC0186
- IC0187
- IC0188
- IC0189
- IC0190
- IC0191
- IC0192
- IC0193
- IC0194
- IC0195
- IC0196
- IC0197
- IC0198
- IC0199
- IC0200



SIDE A

SIDE A

DJM-900XS2

SIDE A

SIDE A

DJM-900XS2

57

SIDE B

SIDE B

5

6

7

8

G

A

B

C

D

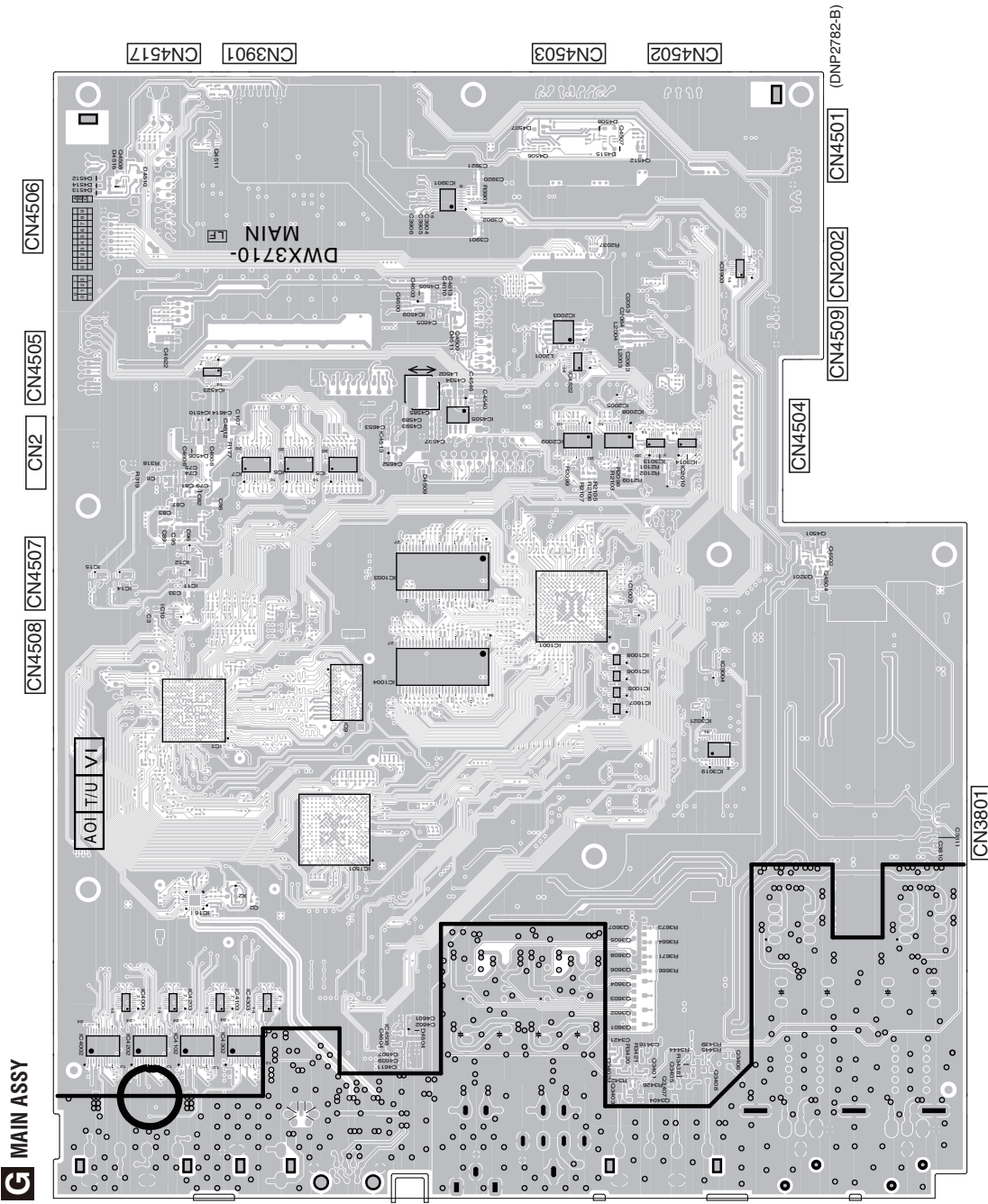
E

F

G

59

IC400	IC401	IC402	IC403	IC404	IC405	IC406	IC407	IC408	IC409	IC410	IC411	IC412	IC413	IC414	IC415	IC416	IC417	IC418	IC419	IC420	IC421	IC422	IC423	IC424	IC425	IC426	IC427	IC428	IC429	IC430	IC431	IC432	IC433	IC434	IC435	IC436	IC437	IC438	IC439	IC440	IC441	IC442	IC443	IC444	IC445	IC446	IC447	IC448	IC449	IC450	IC451	IC452	IC453	IC454	IC455	IC456	IC457	IC458	IC459	IC460	IC461	IC462	IC463	IC464	IC465	IC466	IC467	IC468	IC469	IC470	IC471	IC472	IC473	IC474	IC475	IC476	IC477	IC478	IC479	IC480	IC481	IC482	IC483	IC484	IC485	IC486	IC487	IC488	IC489	IC490	IC491	IC492	IC493	IC494	IC495	IC496	IC497	IC498	IC499	IC500	IC501	IC502	IC503	IC504	IC505	IC506	IC507	IC508	IC509	IC510	IC511	IC512	IC513	IC514	IC515	IC516	IC517	IC518	IC519	IC520	IC521	IC522	IC523	IC524	IC525	IC526	IC527	IC528	IC529	IC530	IC531	IC532	IC533	IC534	IC535	IC536	IC537	IC538	IC539	IC540	IC541	IC542	IC543	IC544	IC545	IC546	IC547	IC548	IC549	IC550	IC551	IC552	IC553	IC554	IC555	IC556	IC557	IC558	IC559	IC560	IC561	IC562	IC563	IC564	IC565	IC566	IC567	IC568	IC569	IC570	IC571	IC572	IC573	IC574	IC575	IC576	IC577	IC578	IC579	IC580	IC581	IC582	IC583	IC584	IC585	IC586	IC587	IC588	IC589	IC590	IC591	IC592	IC593	IC594	IC595	IC596	IC597	IC598	IC599	IC600	IC601	IC602	IC603	IC604	IC605	IC606	IC607	IC608	IC609	IC610	IC611	IC612	IC613	IC614	IC615	IC616	IC617	IC618	IC619	IC620	IC621	IC622	IC623	IC624	IC625	IC626	IC627	IC628	IC629	IC630	IC631	IC632	IC633	IC634	IC635	IC636	IC637	IC638	IC639	IC640	IC641	IC642	IC643	IC644	IC645	IC646	IC647	IC648	IC649	IC650	IC651	IC652	IC653	IC654	IC655	IC656	IC657	IC658	IC659	IC660	IC661	IC662	IC663	IC664	IC665	IC666	IC667	IC668	IC669	IC670	IC671	IC672	IC673	IC674	IC675	IC676	IC677	IC678	IC679	IC680	IC681	IC682	IC683	IC684	IC685	IC686	IC687	IC688	IC689	IC690	IC691	IC692	IC693	IC694	IC695	IC696	IC697	IC698	IC699	IC700	IC701	IC702	IC703	IC704	IC705	IC706	IC707	IC708	IC709	IC710	IC711	IC712	IC713	IC714	IC715	IC716	IC717	IC718	IC719	IC720	IC721	IC722	IC723	IC724	IC725	IC726	IC727	IC728	IC729	IC730	IC731	IC732	IC733	IC734	IC735	IC736	IC737	IC738	IC739	IC740	IC741	IC742	IC743	IC744	IC745	IC746	IC747	IC748	IC749	IC750	IC751	IC752	IC753	IC754	IC755	IC756	IC757	IC758	IC759	IC760	IC761	IC762	IC763	IC764	IC765	IC766	IC767	IC768	IC769	IC770	IC771	IC772	IC773	IC774	IC775	IC776	IC777	IC778	IC779	IC780	IC781	IC782	IC783	IC784	IC785	IC786	IC787	IC788	IC789	IC790	IC791	IC792	IC793	IC794	IC795	IC796	IC797	IC798	IC799	IC800	IC801	IC802	IC803	IC804	IC805	IC806	IC807	IC808	IC809	IC810	IC811	IC812	IC813	IC814	IC815	IC816	IC817	IC818	IC819	IC820	IC821	IC822	IC823	IC824	IC825	IC826	IC827	IC828	IC829	IC830	IC831	IC832	IC833	IC834	IC835	IC836	IC837	IC838	IC839	IC840	IC841	IC842	IC843	IC844	IC845	IC846	IC847	IC848	IC849	IC850	IC851	IC852	IC853	IC854	IC855	IC856	IC857	IC858	IC859	IC860	IC861	IC862	IC863	IC864	IC865	IC866	IC867	IC868	IC869	IC870	IC871	IC872	IC873	IC874	IC875	IC876	IC877	IC878	IC879	IC880	IC881	IC882	IC883	IC884	IC885	IC886	IC887	IC888	IC889	IC890	IC891	IC892	IC893	IC894	IC895	IC896	IC897	IC898	IC899	IC900	IC901	IC902	IC903	IC904	IC905	IC906	IC907	IC908	IC909	IC910	IC911	IC912	IC913	IC914	IC915	IC916	IC917	IC918	IC919	IC920	IC921	IC922	IC923	IC924	IC925	IC926	IC927	IC928	IC929	IC930	IC931	IC932	IC933	IC934	IC935	IC936	IC937	IC938	IC939	IC940	IC941	IC942	IC943	IC944	IC945	IC946	IC947	IC948	IC949	IC950	IC951	IC952	IC953	IC954	IC955	IC956	IC957	IC958	IC959	IC960	IC961	IC962	IC963	IC964	IC965	IC966	IC967	IC968	IC969	IC970	IC971	IC972	IC973	IC974	IC975	IC976	IC977	IC978	IC979	IC980	IC981	IC982	IC983	IC984	IC985	IC986	IC987	IC988	IC989	IC990	IC991	IC992	IC993	IC994	IC995	IC996	IC997	IC998	IC999	IC1000
-------	-------	-------	-------	-------	-------	-------	-------	-------	-------	-------	-------	-------	-------	-------	-------	-------	-------	-------	-------	-------	-------	-------	-------	-------	-------	-------	-------	-------	-------	-------	-------	-------	-------	-------	-------	-------	-------	-------	-------	-------	-------	-------	-------	-------	-------	-------	-------	-------	-------	-------	-------	-------	-------	-------	-------	-------	-------	-------	-------	-------	-------	-------	-------	-------	-------	-------	-------	-------	-------	-------	-------	-------	-------	-------	-------	-------	-------	-------	-------	-------	-------	-------	-------	-------	-------	-------	-------	-------	-------	-------	-------	-------	-------	-------	-------	-------	-------	-------	-------	-------	-------	-------	-------	-------	-------	-------	-------	-------	-------	-------	-------	-------	-------	-------	-------	-------	-------	-------	-------	-------	-------	-------	-------	-------	-------	-------	-------	-------	-------	-------	-------	-------	-------	-------	-------	-------	-------	-------	-------	-------	-------	-------	-------	-------	-------	-------	-------	-------	-------	-------	-------	-------	-------	-------	-------	-------	-------	-------	-------	-------	-------	-------	-------	-------	-------	-------	-------	-------	-------	-------	-------	-------	-------	-------	-------	-------	-------	-------	-------	-------	-------	-------	-------	-------	-------	-------	-------	-------	-------	-------	-------	-------	-------	-------	-------	-------	-------	-------	-------	-------	-------	-------	-------	-------	-------	-------	-------	-------	-------	-------	-------	-------	-------	-------	-------	-------	-------	-------	-------	-------	-------	-------	-------	-------	-------	-------	-------	-------	-------	-------	-------	-------	-------	-------	-------	-------	-------	-------	-------	-------	-------	-------	-------	-------	-------	-------	-------	-------	-------	-------	-------	-------	-------	-------	-------	-------	-------	-------	-------	-------	-------	-------	-------	-------	-------	-------	-------	-------	-------	-------	-------	-------	-------	-------	-------	-------	-------	-------	-------	-------	-------	-------	-------	-------	-------	-------	-------	-------	-------	-------	-------	-------	-------	-------	-------	-------	-------	-------	-------	-------	-------	-------	-------	-------	-------	-------	-------	-------	-------	-------	-------	-------	-------	-------	-------	-------	-------	-------	-------	-------	-------	-------	-------	-------	-------	-------	-------	-------	-------	-------	-------	-------	-------	-------	-------	-------	-------	-------	-------	-------	-------	-------	-------	-------	-------	-------	-------	-------	-------	-------	-------	-------	-------	-------	-------	-------	-------	-------	-------	-------	-------	-------	-------	-------	-------	-------	-------	-------	-------	-------	-------	-------	-------	-------	-------	-------	-------	-------	-------	-------	-------	-------	-------	-------	-------	-------	-------	-------	-------	-------	-------	-------	-------	-------	-------	-------	-------	-------	-------	-------	-------	-------	-------	-------	-------	-------	-------	-------	-------	-------	-------	-------	-------	-------	-------	-------	-------	-------	-------	-------	-------	-------	-------	-------	-------	-------	-------	-------	-------	-------	-------	-------	-------	-------	-------	-------	-------	-------	-------	-------	-------	-------	-------	-------	-------	-------	-------	-------	-------	-------	-------	-------	-------	-------	-------	-------	-------	-------	-------	-------	-------	-------	-------	-------	-------	-------	-------	-------	-------	-------	-------	-------	-------	-------	-------	-------	-------	-------	-------	-------	-------	-------	-------	-------	-------	-------	-------	-------	-------	-------	-------	-------	-------	-------	-------	-------	-------	-------	-------	-------	-------	-------	-------	-------	-------	-------	-------	-------	-------	-------	-------	-------	-------	-------	-------	-------	-------	-------	-------	-------	-------	-------	-------	-------	-------	-------	-------	-------	-------	-------	-------	-------	-------	-------	-------	-------	-------	-------	-------	-------	-------	-------	-------	-------	-------	-------	-------	-------	-------	-------	-------	-------	-------	-------	-------	-------	-------	-------	-------	-------	-------	-------	-------	-------	-------	-------	-------	-------	-------	-------	-------	-------	-------	-------	-------	-------	-------	-------	-------	-------	-------	-------	-------	-------	-------	-------	-------	-------	-------	-------	-------	-------	-------	-------	-------	-------	-------	-------	-------	--------



DJM-900XS2

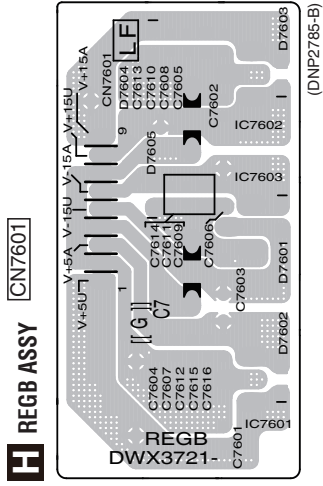
5

6

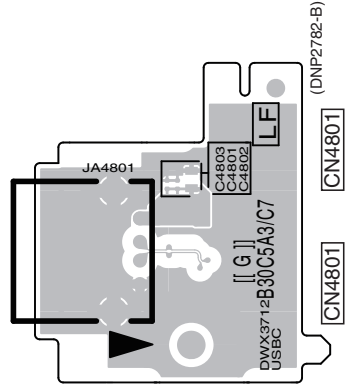
7

8

SIDE B

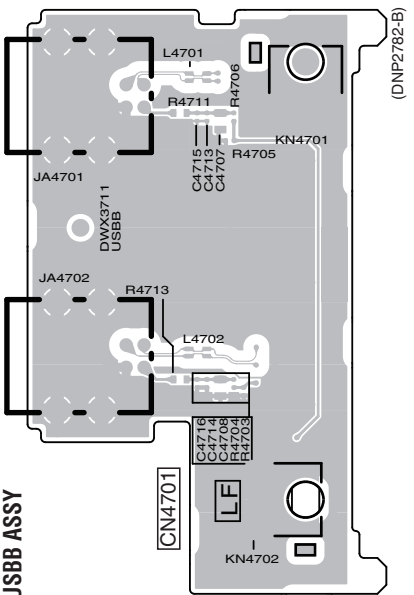


J USBC ASSY

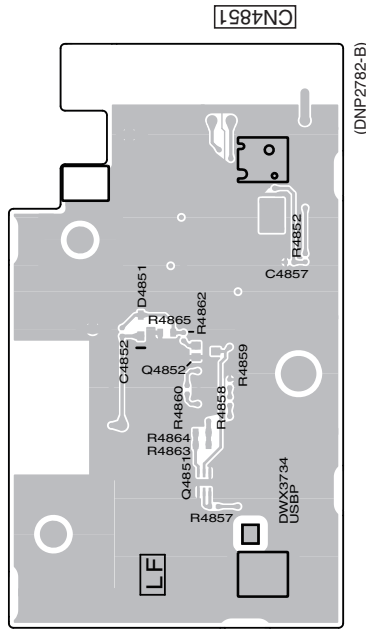


SIDE B

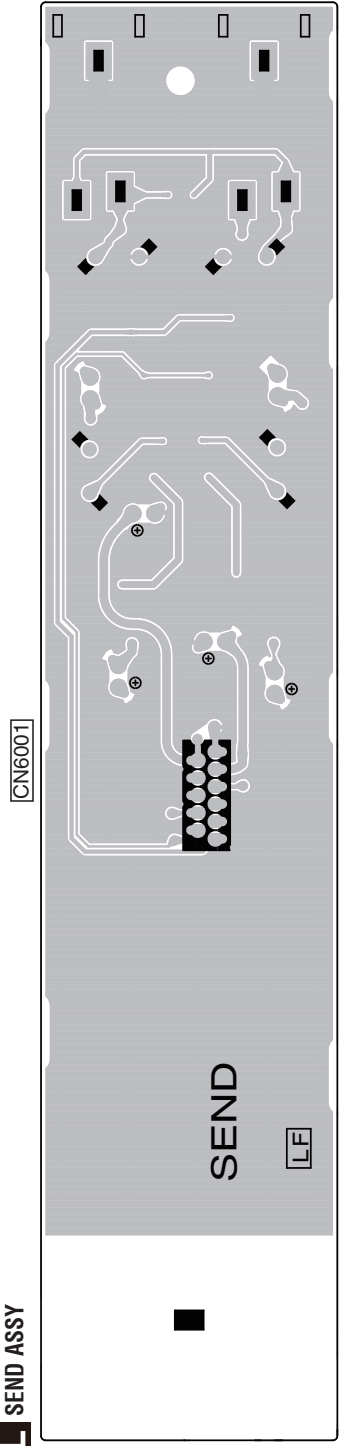
K USBB ASSY



I USBP ASSY



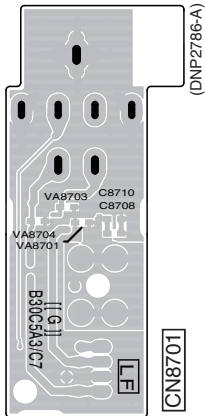
L SEND ASSY



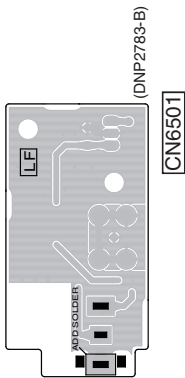
H I J K L A
 H I J K L B
 H I J K L C
 H I J K L D
 H I J K L E
 H I J K L F

SIDE B

HPJK ASSY

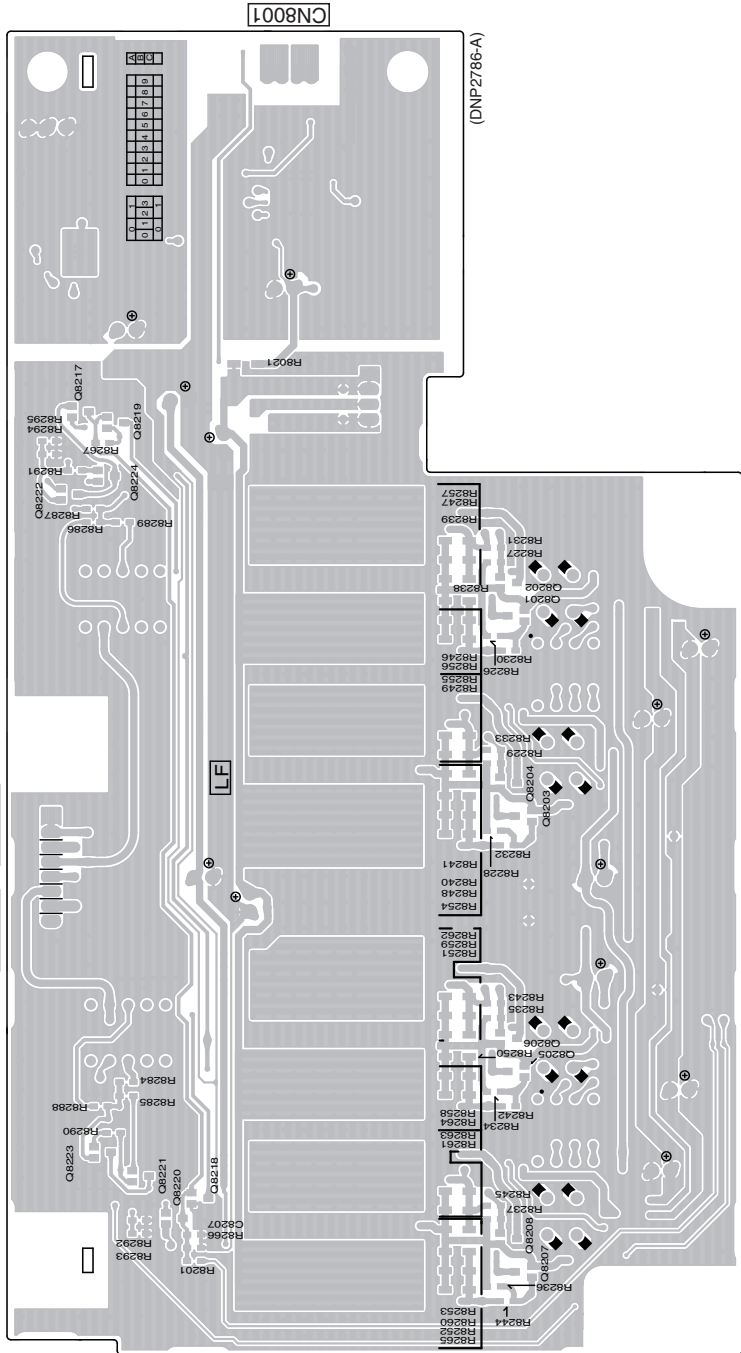


HPJM ASSY



SIDE B

HPPW ASSY



M N O

A

B

C

D

E

M N O

F

11.6 PNLA ASSY

1

2

3

4

A

B

C

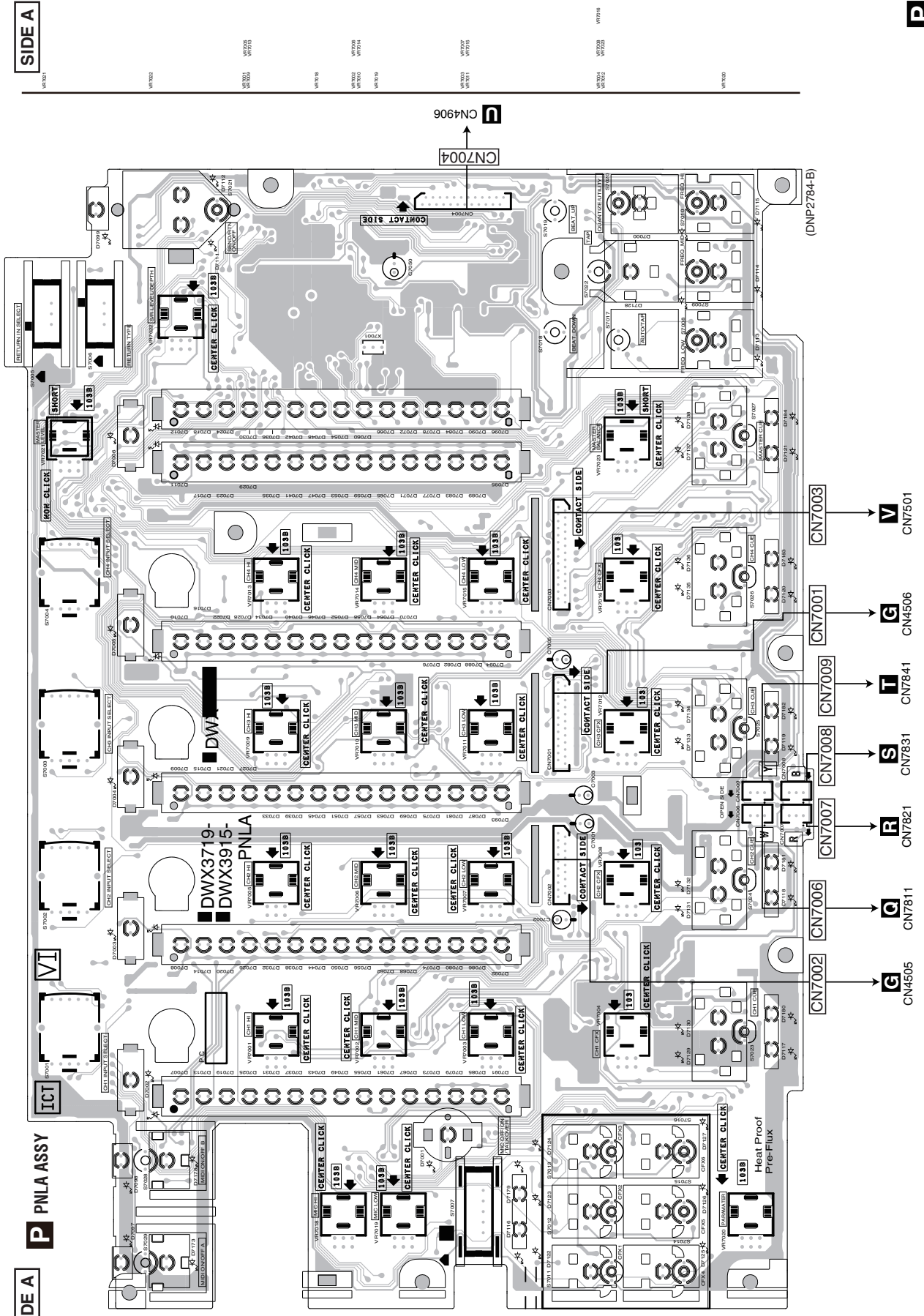
D

E

F

P

P



1

2

3

4

11.7 FAD1 to FAD4 ASSYS

1

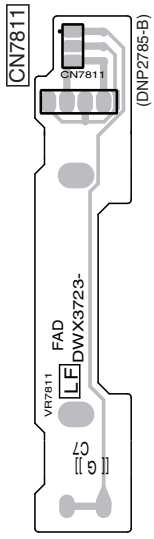
2

3

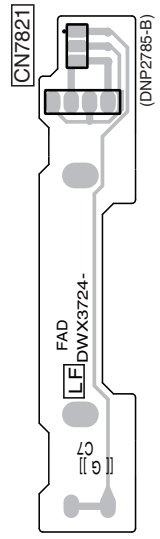
4

SIDE B

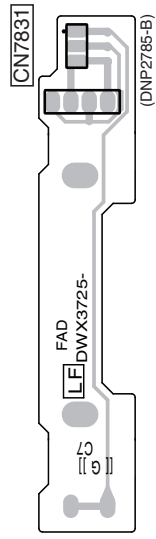
Q FAD1 ASSY



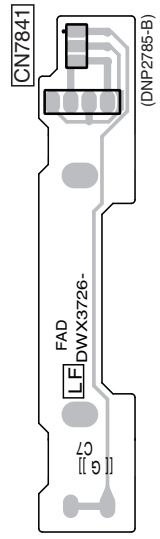
R FAD2 ASSY



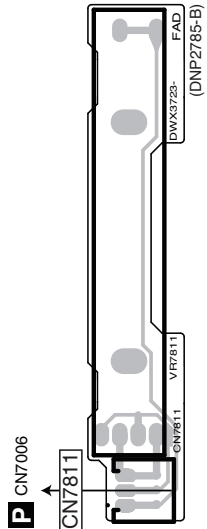
S FAD3 ASSY



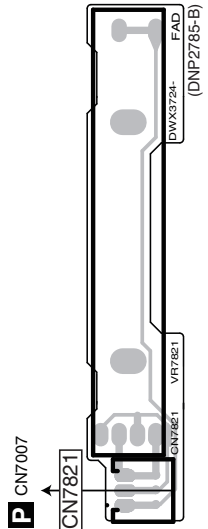
T FAD4 ASSY



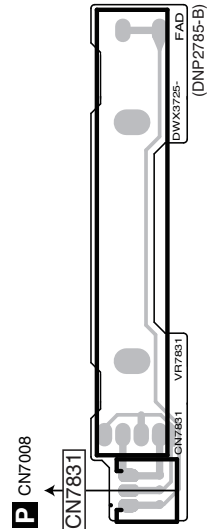
Q FAD1 ASSY



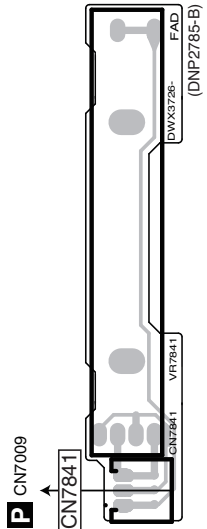
R FAD2 ASSY



S FAD3 ASSY



T FAD4 ASSY



SIDE A

1

2

3

4

DJM-900NXS2

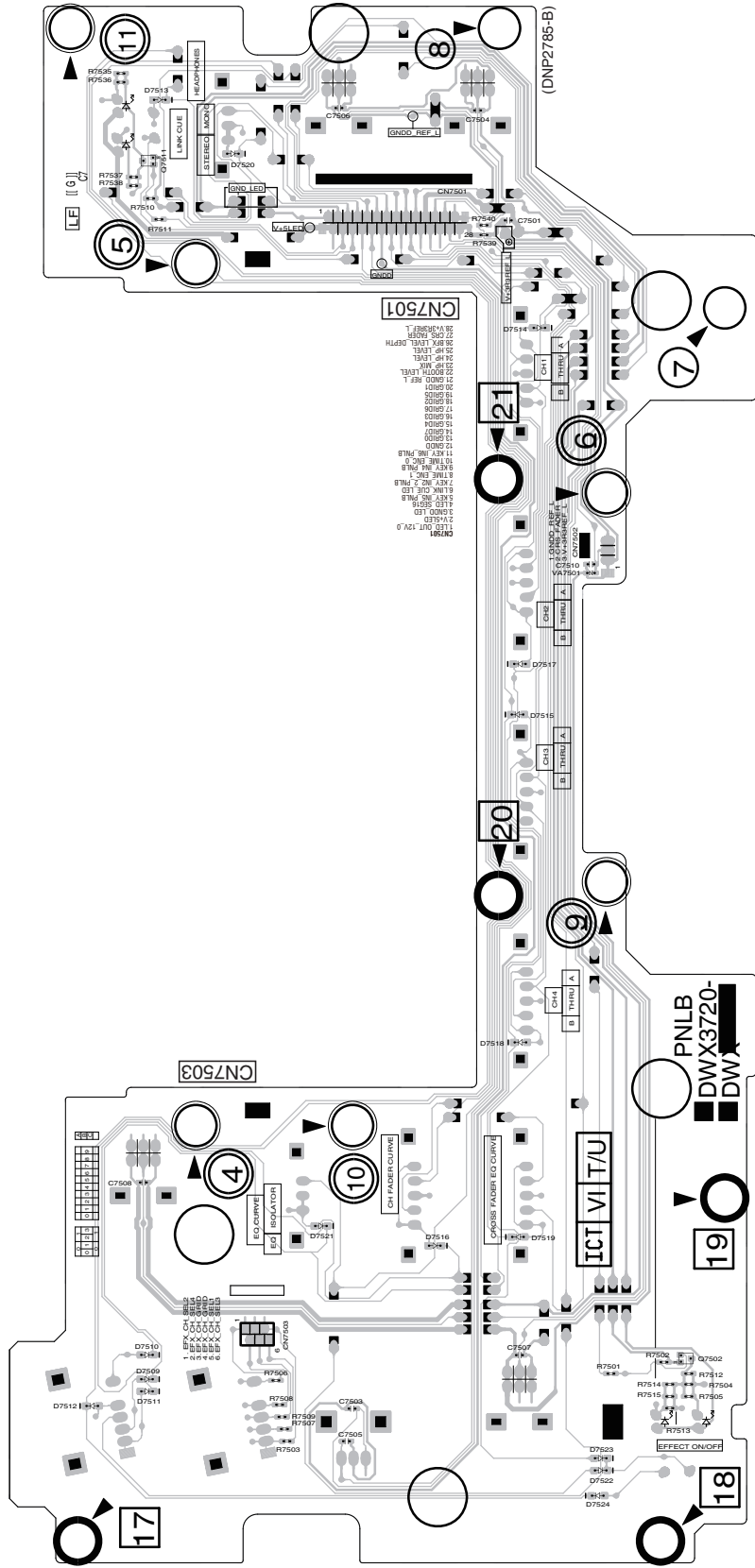
Q R S T

Q R S T

SIDE B

SIDE B

V PNLB ASSY



DJM-900XS2

11.10 SW POWER SUPPLY, ACSW and GRDM ASSYS

1

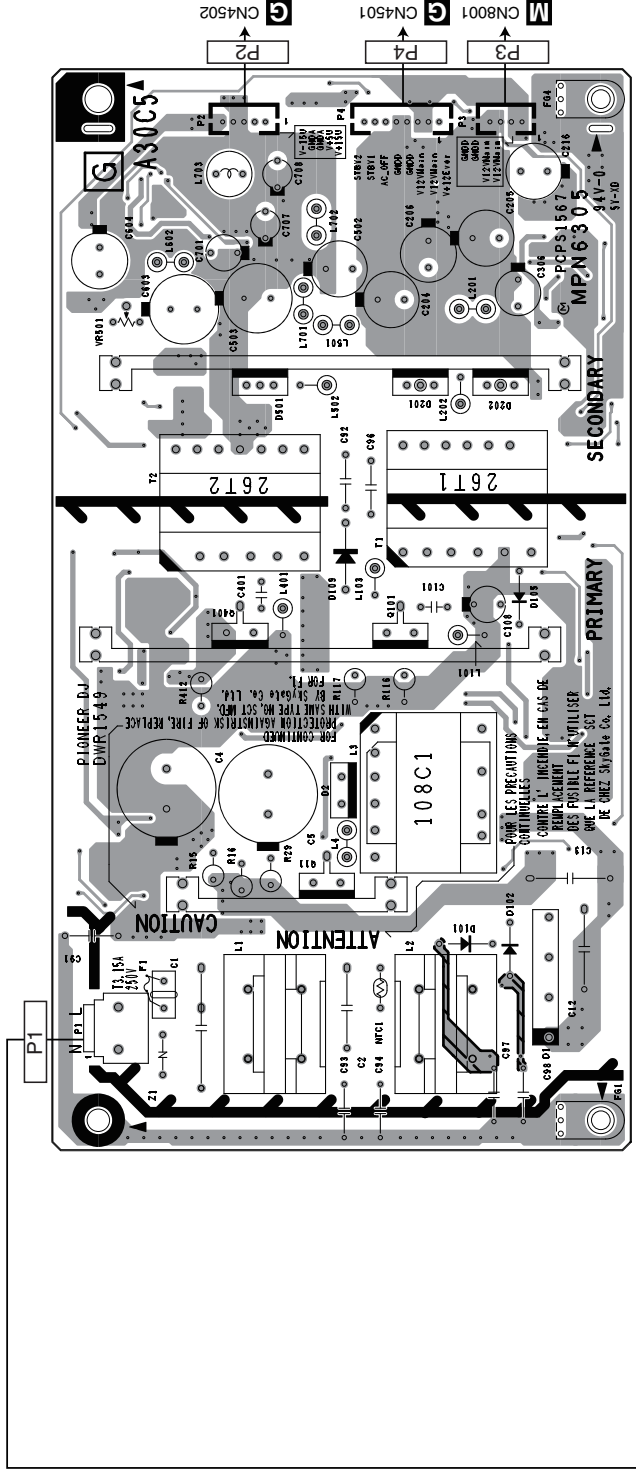
2

3

4

SIDE A

X SW POWER SUPPLY



SIDE A

DJM-900NXS2

1

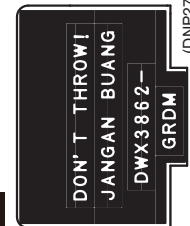
2

3

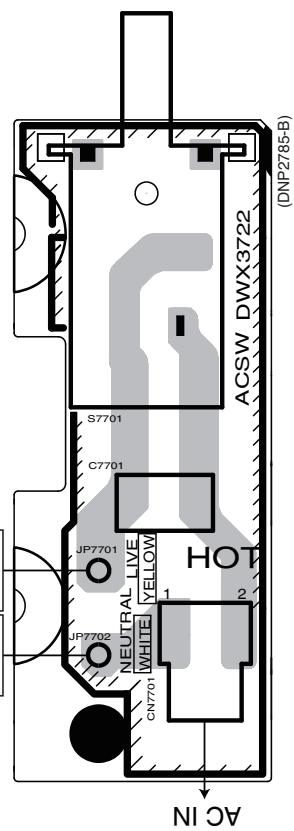
4

X
Y
Z

Z GRDM ASSY

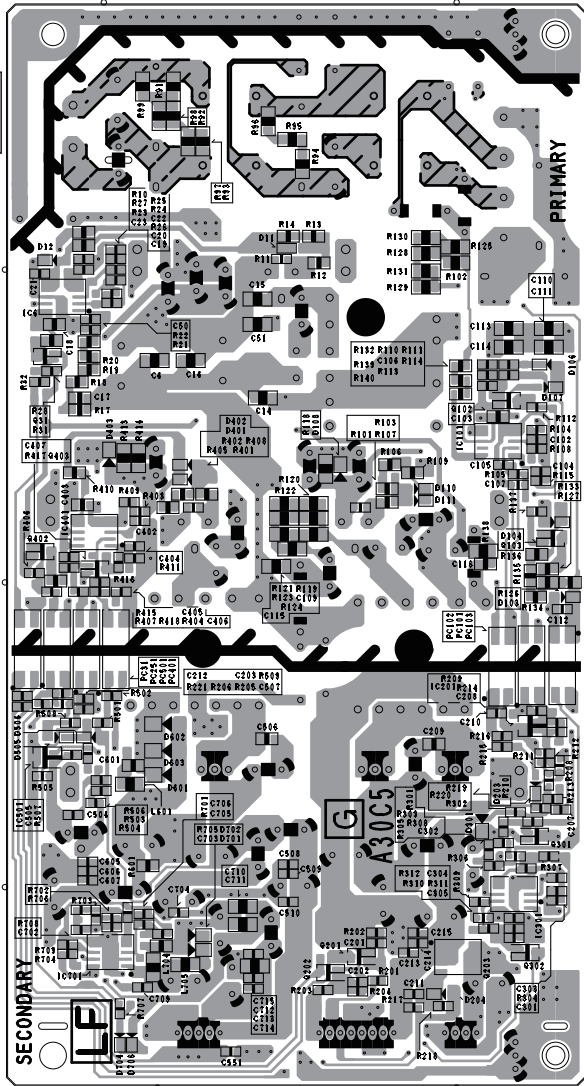


Y ACSW ASSY



X
Y
Z

SIDE B



SIDE B

DJM-900XS2

X Y Z

A

B

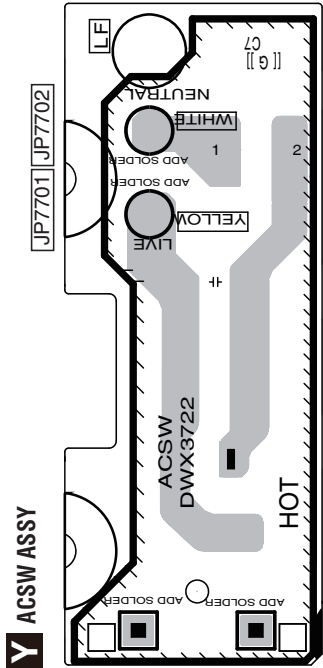
C

D

E

F

X Y Z



ACSW ASSY

GRDM ASSY

DWX3862-
DON'T THROW!
JANGAN BUANG
GRDM

(DNP2785-B)

(DNP2785-B)

12. PCB PARTS LIST

NOTES: ● Parts marked by "NSP" are generally unavailable because they are not in our Master Spare Parts List.

● The Δ mark found on some component parts indicates the importance of the safety factor of the part. Therefore, when replacing, be sure to use parts of identical designation.

● When ordering resistors, first convert resistance values into code form as shown in the following examples.

Ex.1 When there are 2 effective digits (any digit apart from 0), such as 560 ohm and 47 k ohm (tolerance is shown by J = 5%, and K = 10%).

560 Ω \rightarrow 56 \times 10¹ \rightarrow 561 RD1/4PU $\boxed{5}$ $\boxed{6}$ $\boxed{1}$ J
 47 k Ω \rightarrow 47 \times 10³ \rightarrow 473 RD1/4PU $\boxed{4}$ $\boxed{7}$ $\boxed{3}$ J
 0.5 Ω \rightarrow R50 RN2H \boxed{R} $\boxed{5}$ $\boxed{0}$ K
 1 Ω \rightarrow 1R0 RS1P $\boxed{1}$ \boxed{R} $\boxed{0}$ K

Ex.2 When there are 3 effective digits (such as in high precision metal film resistors).

5.62 k Ω \rightarrow 562 \times 10¹ \rightarrow 5621 RN1/4PC $\boxed{5}$ $\boxed{6}$ $\boxed{2}$ $\boxed{1}$ F

LIST OF ASSEMBLIES

Mark No.	Description	Part No.	Mark No.	Description	Part No.
NSP	1..MOTHER ASSY	DWM2574	IC 5101,5308,5508,5708		NJM4565MD
	2..MAIN ASSY	DWX3710	IC 5102,5105,5305,5505		AK5358AET
	2..USBB ASSY	DWX3711	IC 5103,5104,5201,5203		NJM4580MD
	2..USBC ASSY	DWX3712	IC 5202,5204,5402,5404		NJM8901E
	2..USBP ASSY	DWX3734	IC 5301,5302,5501,5502		NJM2121MD
			IC 5303,5304,5401,5403		NJM4580MD
NSP	1..AUDIO ASSY	DWM2575	IC 5306,5506,5706,5906		CS5381-KZ
	2..AINB ASSY	DWX3713			
	2..SEND ASSY	DWX3714	IC 5307,5507,5707,5907		TC7WH157FK
	2..TRM1 ASSY	DWX3715	IC 5503,5504,5601,5603		NJM4580MD
	2..TRM2 ASSY	DWX3716	IC 5602,5604,5802,5804		NJM8901E
			IC 5701,5702,5901,5902		NJM2121MD
			IC 5703,5704,5801,5803		NJM4580MD
	2..TRM3 ASSY	DWX3717			
	2..TRM4 ASSY	DWX3718	IC 5705,5905		AK5358AET
	2..HPJM ASSY	DWX3739	IC 5903,5904		NJM4580MD
			IC 5908		NJM4565MD
	1..PNLA ASSY	DWX3719	Q 5001,5002		LSC4081UB
			Q 5001,5002		LSCR523UB
NSP	1..SUB ASSY	DWM2576			
	2..PNLB ASSY	DWX3720	Q 5001,5002		2SC4154-11
	2..REGB ASSY	DWX3721	Q 5003-5006		LTC114EUB
	2..ACSW ASSY	DWX3722	Q 5101-5104		2SK209
	2..FAD1 ASSY	DWX3723	Q 5201,5202,5401,5402		KTC801U
	2..FAD2 ASSY	DWX3724	Q 5203,5204,5403,5404		2SK3320
	2..FAD3 ASSY	DWX3725	Q 5205,5405,5605,5805		RT1N241M
	2..FAD4 ASSY	DWX3726	Q 5205,5405,5605,5805		LTC124EUB
	2..MTRM ASSY	DWX3729	Q 5601,5602,5801,5802		KTC801U
	2..GRDM ASSY	DWX3862	Q 5603,5604,5803,5804		2SK3320
			D 5106-5109,5301-5306		RB706F-40
NSP	1..HPAB ASSY	DWM2577			
	2..HPPW ASSY	DWX3728	D 5209,5210,5409,5410		DA2J101
	2..HPJK ASSY	DWX3731	D 5209,5210,5409,5410		1SS355VM
			D 5501-5506,5701-5706		RB706F-40
	1..CDCB ASSY	DWX3733	D 5609,5610,5809,5810		DA2J101
			D 5609,5610,5809,5810		1SS355VM
E	1..CROSS FADER ASSY	DXA2257			
	2..CRFD ASSY	DWX3258	D 5901-5906		RB706F-40
Δ	1..SW POWER SUPPLY	DWR1549			

MISCELLANEOUS

JA 5101	6.5 DIA JACK	DKN1654
JA 5102	6.5 DIA JACK	DKN1652
JA 5103	XLR SOCKET	DKB1124
JA 5104	6.5 DIA JACK	DKN1653
JA 5201,5401,5601,5801	RCA JACK/4P	DKB1112

Mark No. Description Part No.

KN 5001-5003	EARTH TERMINAL	AKF7002
RY 5201,5401,5601,5801	RELAY	VSR1008
CN 5002	FFC CONNECTOR	VKN1811
CN 5003	L-PLUG(10P)	KM200NA10L
CN 5004	FFC/FPC CONNECTOR	DKN1663

A AINB ASSY

SEMICONDUCTORS

IC 5001-5003,5005-5009	TC7SH08FUS1
IC 5004	TC74VHC74FK
Δ IC 5010	MM3571A33P

Mark No.	Description	Part No.	Mark No.	Description	Part No.
	CN5101 CONNECTOR	CKS3561			
	CN5201,5401 B TO B 11PIN PLUG	AKM7101	R 5637,5638,5837,5838		RN1/16SE7500D
	CN5601,5801 B TO B 11PIN PLUG	AKM7101	R 5643,5644,5843,5844		RN1/16SE6800D
	VA 5101-5104 VARISTORS	EZJZ1V270RM	R 5645,5646,5649,5650		RS1/10SR473J
			R 5647,5648,5847,5848		RN1/16SE7502D
			R 5655,5656,5855,5856		RN1/16SE6801D
RESISTORS					
R 5028-5030		RS1/4SA130J	R 5701-5703,5707		RN1/16SE3302D
R 5101,5102		RS1/10SR101J	R 5704,5708,5904,5908		RN1/16SE4701D
R 5103,5104,5301-5303		RN1/16SE3302D	R 5705,5706,5905,5906		RN1/16SE1202D
R 5105,5106		RN1/16SE1502D	R 5709-5716,5909-5916		RN1/16SE1501D
R 5109,5154		RAB4CQ103J	R 5717,5719,5721,5723		RN1/16SE2200D
R 5115,5116,5151		RS1/10SR0R0J	R 5718,5720,5722,5724		RN1/16SE1001D
R 5117-5124,5202		RN1/16SE1000D	R 5725-5728,5819,5820		RN1/16SE1201D
R 5125-5128,5231,5232		RN1/16SE1002D	R 5731,5732,5735,5736		RN1/16SE1001D
R 5129,5130,5143,5144		RN1/16SE2701D	R 5734,5737,5930,5933		RN1/16SE2700D
R 5131,5133,5137,5138		RN1/16SE1501D	R 5808-5810		RN1/16SE1000D
R 5132,5134,5140,5142		RN1/16SE4701D	R 5813-5815		RN1/16SE4702D
R 5135,5136		RN1/16SE8200D	R 5822,5824,5925-5928		RN1/16SE1201D
R 5139,5141		RN1/16SE1500D	R 5831,5832		RN1/16SE1002D
R 5145,5146		RN1/16SE3900D	R 5845,5846,5849,5850		RS1/10SR473J
R 5147,5148		RN1/16SE3301D	R 5901-5903,5907		RN1/16SE3302D
R 5149,5150,5330,5333		RN1/16SE2700D	R 5917,5919,5921,5923		RN1/16SE2200D
R 5203,5204,5403,5404		RN1/16SE2201D	R 5918,5920,5922,5924		RN1/16SE1001D
R 5205,5207,5212,5405		RN1/16SE4700D	R 5931,5932,5935,5936		RN1/16SE1001D
R 5206,5213-5215,5406		RN1/16SE4702D	R 5934,5937		RN1/16SE2700D
R 5208-5210,5402		RN1/16SE1000D	Other Resistors		RS1/16SS###J
R 5219,5220,5222,5224		RN1/16SE1201D			
R 5221,5223,5421,5423		RS1/10SR470J	CAPACITORS		
R 5225-5228,5425-5428		RN1/16SE2001D	C 5003,5016,5020,5027		CCSSCH102J50
R 5237,5238,5437,5438		RN1/16SE7500D	C 5004,5009-5015,5017		CKSSYB104K16
R 5243,5244,5443,5444		RN1/16SE6800D	C 5006,5156		CEAT101M16
R 5245,5246,5249,5250		RS1/10SR473J	C 5019,5021,5022,5028		CKSSYB104K16
R 5247,5248,5447,5448		RN1/16SE7502D	C 5025,5026		CCG1328
R 5255,5256,5455,5456		RN1/16SE6801D	C 5030		CEAT221M10
R 5304,5308,5504,5508		RN1/16SE4701D	C 5031,5035,5103,5104		CCSSCH102J50
R 5305,5306,5505,5506		RN1/16SE1202D	C 5033,5037		CKSYB104K25
R 5307,5501-5503,5507		RN1/16SE3302D	C 5034,5038,5332,5346		ACH1480
R 5309-5316,5509-5516		RN1/16SE1501D	C 5041-5044		CKSRBY104K16
R 5317,5319,5321,5323		RN1/16SE2200D	C 5101,5102		CCSSCH101J50
R 5318,5320,5322,5324		RN1/16SE1001D	C 5105,5108		CEAT470M25
R 5325-5328,5419,5420		RN1/16SE1201D	C 5106,5107,5142,5143		CKSSYB103K25
R 5331,5332,5335,5336		RN1/16SE1001D	C 5109,5110		CEAT220M50
R 5334,5337,5530,5533		RN1/16SE2700D	C 5111,5113,5117,5157		DCH1201
R 5359,5559,5759,5959		RS1/10SR5R1J	C 5114,5115,5118,5158		CKSSYB104K16
R 5407,5412,5605,5607		RN1/16SE4700D	C 5116,5344,5544,5744		CEHAZL101M10
R 5408-5410,5602		RN1/16SE1000D	C 5119		CKSSYB102K50
R 5413-5415,5606		RN1/16SE4702D	C 5120,5121,5341,5342		CKSSYB103K16
R 5422,5424,5525-5528		RN1/16SE1201D	C 5122,5123,5126,5127		ACE7113
R 5431,5432,5631,5632		RN1/16SE1002D	C 5124,5125,5128-5137		CCSRCH102J50
R 5445,5446,5449,5450		RS1/10SR473J	C 5138,5139		CKSSYB471K50
R 5517,5519,5521,5523		RN1/16SE2200D	C 5140,5141,5146,5147		CCSSCH471J50
R 5518,5520,5522,5524		RN1/16SE1001D	C 5144,5145		CKSSYB331K50
R 5531,5532,5535,5536		RN1/16SE1001D	C 5148,5149		CKSRBY104K25
R 5534,5537,5730,5733		RN1/16SE2700D	C 5150,5151		CEJQNP100M35
R 5603,5604,5803,5804		RN1/16SE2201D	C 5154,5155		CEJQ100M35
R 5608-5610,5802		RN1/16SE1000D	C 5159,5161,5321,5334		DCH1201
R 5612,5805,5807,5812		RN1/16SE4700D	C 5160,5162,5243,5337		CKSSYB104K16
R 5613-5615,5806		RN1/16SE4702D	C 5163		CKSSYB103K25
R 5619,5620,5622,5624		RN1/16SE1201D	C 5164		CKSRBY103K25
R 5621,5623,5821,5823		RS1/10SR470J	C 5165,5328,5333,5528		CKSRBY102K50
R 5625-5628,5825-5828		RN1/16SE2001D	C 5201-5203,5206		CCSRCH221J50

Mark No. Description

C 5204,5205,5404,5405
C 5207,5208,5407,5408

A

C 5209,5210,5409,5410
C 5211,5212,5411,5412
C 5219,5221,5227,5228
C 5220,5224,5420,5424
C 5229,5234,5307,5316

C 5231,5232,5248,5249
C 5235,5236,5435,5436
C 5237,5238,5437,5438
C 5239,5240,5439,5440
C 5241,5242,5441,5442

B

C 5250,5251,5450,5451
C 5301-5304,5308-5311
C 5305,5306,5505,5506
C 5312-5315,5512-5515
C 5322,5345,5351,5431

C 5327,5527,5727,5927
C 5329,5330,5335,5529
C 5336,5536,5736,5936
C 5338,5350,5443,5537
C 5339,5340,5539,5540

C

C 5343,5543,5743,5943
C 5401-5403,5406
C 5419,5421,5427,5428
C 5429,5434,5507,5516
C 5432,5448,5449

C 5501-5504,5508-5511
C 5521,5534,5721,5734
C 5522,5545,5551,5631
C 5530,5535,5729,5730
C 5532,5546,5732,5746

D

C 5533,5728,5733,5928
C 5538,5550,5643,5737
C 5541,5542,5741,5742
C 5601-5603,5606
C 5604,5605,5804,5805

C 5607,5608,5807,5808
C 5609,5610,5809,5810
C 5611,5612,5811,5812
C 5619,5621,5627,5628
C 5620,5624,5820,5824

E

C 5629,5634,5707,5716
C 5632,5648,5649
C 5635,5636,5835,5836
C 5637,5638,5837,5838
C 5639,5640,5839,5840

C 5641,5642,5841,5842
C 5650,5651,5850,5851
C 5701-5704,5708-5711
C 5705,5706,5905,5906
C 5712-5715,5912-5915

F

C 5722,5745,5751,5831
C 5735,5929,5930,5935
C 5738,5750,5843,5937
C 5739,5740,5939,5940
C 5801-5803,5806

C 5819,5821,5827,5828
C 5829,5834,5907,5916

Part No.

CCSRCH102J50
CCSRCH101J50

CEHAT101M25
CKSRYB223K50
ACE7100
CEHAT221M16
CEHAZL101M25

CKSRYB104K50
DCE1027
CEANP100M35
ACE7128
DCH1320

CEHAZL220M50
CKSRYB104K50
CEHAR100M35
CCSSCH102J50
CKSRYB104K50

CCG1218
CKSRYB103K50
ACE7113
CKSSYB104K16
CCSRCH222J50

CEHAZL331M6R3
CCSRCH221J50
ACE7100
CEHAZL101M25
CKSRYB104K50

CKSRYB104K50
DCH1201
CKSRYB104K50
CKSRYB103K50
ACH1480

CKSRYB102K50
CKSSYB104K16
CKSSYB103K16
CCSRCH221J50
CCSRCH102J50

CCSRCH101J50
CEHAT101M25
CKSRYB223K50
ACE7100
CEHAT221M16

CEHAZL101M25
CKSRYB104K50
DCE1027
CEANP100M35
ACE7128

DCH1320
CEHAZL220M50
CKSRYB104K50
CEHAR100M35
CCSSCH102J50

CKSRYB104K50
CKSRYB103K50
CKSSYB104K16
CCSRCH222J50
CCSRCH221J50

ACE7100
CEHAZL101M25

Mark No. Description

C 5832,5848,5849
C 5901-5904,5908-5911
C 5921,5934

C 5922,5945,5951
C 5932,5946
C 5933
C 5938,5950
C 5941,5942

C 5944

B TRM1 ASSY**MISCELLANEOUS**

VR 6101 ROTARY VR
CN 6101 B TO B 11PIN JACK

CAPACITORS

C 6101

C TRM2 ASSY**MISCELLANEOUS**

VR 6201 ROTARY VR
CN 6201 B TO B 11PIN JACK

CAPACITORS

C 6201

D TRM3 ASSY**MISCELLANEOUS**

VR 6301 ROTARY VR
CN 6301 B TO B 11PIN JACK

CAPACITORS

C 6301

E TRM4 ASSY**MISCELLANEOUS**

VR 6401 ROTARY VR
CN 6401 B TO B 11PIN JACK

CAPACITORS

C 6401

F MTRM ASSY**MISCELLANEOUS**

VR 7901,7902 ROTARY VR
CN 7901 PLUG

G MAIN ASSY**SEMICONDUCTORS**

IC 1
IC 4,3017
IC 5
IC 6,7
IC 9

IC 11-13,1002,1502

Part No.

CKSRYB104K50
CKSRYB104K50
DCH1201

CKSRYB104K50
ACH1480
CKSRYB102K50
CKSSYB104K16
CKSSYB103K16

CEHAZL101M10

DCS1118
AKN7067

CKSRYB104K25

DCS1118
AKN7067

CKSRYB104K25

DCS1118
AKN7067

CKSRYB104K25

DCS1118
AKN7067

CKSRYB104K25

DCS1123
CKS3533

AM3352BZCZ100
TC7SH04FUS1
74LCX541FT
74LCX373FT
K4B1G1646G-BCKO

TC7SG08FU

Mark No. Description**Part No.****Mark No. Description****Part No.**

R 2102,2106,4032,4127
R 2107,4408
R 2109,4035,4130,4230
R 3215,4427,4507

RS1/10SR1802D
RS1/10SR1503D
RS1/10SR6801D
RS1/10SR0R0J

C 33,34,74,75
C 35,37-41,43
C 42,44,48,52
C 45-47,49-51
C 53,66-73,76

CCG1192
CKSSYB103K16
CKSSYB104K10
CKSSYB103K16
CKSSYB103K16

R 3218-3225
R 3226-3233,3242-3249
R 3234-3241
R 3250-3257
R 3262-3269,3647-3654

RN1/16SE1501D
RN1/16SE8201D
RN1/16SE1301D
RN1/16SE1101D
RN1/16SE2001D

C 54-61,88
C 62-64,111,112
C 77,93
C 78-80,83,85
C 81,82,87,91

CKSSYB104K10
DCH1266
CCSSCH7R0D50
CCG1218
CCG1212

R 3270-3277,3639-3646
R 3278-3281,3667-3670
R 3282-3285,3675-3678
R 3406,3606,3901,4026
R 3408,3409

RN1/16SE3901D
DCN1198
RN1/16SE1001D
RAB4CQ103J
RS1/10SR5101D

C 84,86,89,94
C 90,92,98
C 95,99,107,118
C 96,152,4606,4609
C 100,160,3226,3227

CCG1192
CCG1218
CCG1192
CCG1212
CEVW101M16

R 3410,3411,3414,3415
R 3412,3413
R 3416,3417
R 3420,3421
R 3422,3423,3440,3441

RS1/10SR4702D
RS1/10SR4701D
RS1/10SR4301D
RS1/10SR105J
RN1/16SE1002D

C 101
C 102-105,113-117
C 106,109,110,131
C 108,150,1007,1008
C 119-129

CKSRBY105K10
CKSSYB104K10
CKSSYB103K16
CKSSYB471K50
CKSSYB224K6R3

R 3424,3427
R 3425,3426,3444,3445
R 3428,3429,3623-3630
R 3430,3431
R 3432,3433

DCN1200
RS1/10SR183J
RN1/16SE4701D
RN1/16SE6801D
RS1/10SR100J

C 130,133-137,140
C 138,139,149,1041
C 141,144,145,148
C 142,143,146,147
C 153,154,161,1005

CKSSYB104K10
DCH1266
CKSSYB104K10
CKSSYB102K50
CKSSYB104K10

R 3434,3435,3442,3443
R 3436,3437,3687-3690
R 3607-3614
R 3615-3622,3631-3638
R 3655-3662,3907-3910

RS1/4SA101J
RS1/10SR104J
RN1/16SE5601D
RN1/16SE2702D
RN1/16SE4701D

C 155,156
C 157,159,1001-1004
C 158
C 1006,1042,1043
C 1009,1011,1013,1015

CKSSYB223K16
CCG1192
ACG1127
CKSSYB104K10
CKSSYB103K16

R 3680,3682,3684,3686
R 3903-3906
R 3911-3914
R 4001,4101,4201,4301
R 4120,4220,4320

RS1/10SR183J
RN1/16SE2701D
RN1/16SE1801D
RS1/10SR75R0D
RAB4CQ103J

C 1010,1012,1014,1016
C 1017,1019,1021,1022
C 1018,1020,1023,1025
C 1024,1026,1028,1030
C 1027,1029,1031,1033

CKSSYB102K50
CKSSYB103K16
CKSSYB102K50
CKSSYB103K16
CKSSYB102K50

R 4225,4324,4410
R 4227,4326,4406
R 4228,4327,4407
R 4323
R 4330,4532

RS1/10SR1001F
RS1/10SR2201D
RS1/10SR1802D
RS1/10SR1203D
RS1/10SR6801D

C 1032,1034,1036-1038
C 1035,1510,1512,1514
C 1039,1539,2036,3272
C 1040,1048-1061,1067
C 1044,1045,1501-1504

CKSSYB103K16
CKSSYB102K50
CCSSCH101J50
CKSSYB103K16
CCG1192

R 4423,4430-4433
R 4424
R 4522
R 4524
R 4525

RN1/16SE1000D
RN1/16SE3300D
RS1/16SS2702D
RS1/16SS2202D
RS1/16SS4701D

C 1062-1065,1505,1506
C 1068,1509,1511,1513
C 1507,1508,2009,2010
C 1515,1517,1519,1521
C 1516,1518,1520,1523

CKSSYB104K10
CKSSYB103K16
CKSSYB471K50
CKSSYB103K16
CKSSYB102K50

R 4526
R 4527
R 4528,4531,4534
R 4529
R 4530

RS1/16SS8201D
RS1/16SS51R0D
RS1/16SS2201D
RS1/16SS1102D
RS1/10SR5600D

C 1522,1524,1526,1528
C 1525,1527,1529,1531
C 1530,1532,1534
C 1533,1535,2037
C 1536-1538,1540

CKSSYB103K16
CKSSYB102K50
CKSSYB103K16
CKSSYB102K50
CKSSYB103K16

R 4533
R 4536
R 4592
R 4593
Other Resistors

RS1/10SR75R0D
RS1/16SS3301D
RS1/16SS1202D
RS1/16SS2002D
RS1/16SS###J

C 1541
C 1542,1543,2002,2007
C 2001
C 2003-2006,2040
C 2008,2011,2016,2039

DCH1266
CKSSYB104K10
CKSSYB222K50
CCG1192
CKSSYB104K10

CAPACITORS

C 1,2,10,11
C 3-9,16,17
C 12-15,19-25
C 18,26,30,36
C 27-29,31,32

CKSSYB104K10
CCG1192
CKSSYB103K16
CKSSYB104K10
CKSSYB103K16

C 2012-2015,2017-2031
C 2034,2035,2038
C 2041,2048-2050
C 2042-2044,2054,2055

CKSSYB103K16
CKSSYB103K16
CKSSYB104K10
CKSSYB102K50

Mark No.	Description	Part No.	Mark No.	Description	Part No.
C 2045-2047,2056,2057		CKSSYB103K16	C 3907,3908,4407,4408		CCSSCH102J50
C 2051-2053,2063,2064		CCG1192	C 3909-3912		CCSRCH331J50
C 2058-2060,2062,2065		CKSSYB104K10	C 3913,3914,4034,4035		CKSRYP104K50
C 2061,2082,3002,3010		CKSSYB102K50	C 3915		CCSSCH101J50
C 2066,2069,2070,2073		CKSSYB104K10	C 3917,4530,4640		CEVW101M16
C 2067,2068,2075,2076		CKSSYB103K16	C 4001,4101,4201,4301		CCSSCH221J50
C 2071,2072		CCSSCH5R0C50	C 4004,4008,4009,4011		CKSSYB104K10
C 2074,2083,3001,3003		CKSSYB104K10	C 4005,4105,4205,4305		CCSSCH470J50
C 3004,3011,3017		CKSSYB104K10	C 4012,4020,4022-4024		CKSSYB104K10
C 3006,3008,3012,3013		CKSSYB103K16	C 4025,4026,4111,4211		CKSSYB102K50
C 3016,3018-3022,3028		CKSSYB102K50	C 4027,4029,4104,4108		CKSSYB104K10
C 3023-3027,3030-3032		CKSSYB104K10	C 4030,4031,4106,4107		CEVW100M16
C 3029,3033,3035,3036		CKSSYB102K50	C 4102,4128,4202,4228		CKSRYP103K50
C 3034,3037,3039,3041		CKSSYB104K10	C 4109,4112,4119,4121		CKSSYB104K10
C 3038,3040,3042,3046		CKSSYB102K50	C 4110,4117,4118,4210		CKSSYB103K16
C 3043,3045,3047,3919		CKSSYB104K10	C 4120,4123,4220,4223		CCG1192
C 3201,3401,3601,3801		CKSRYP102K50	C 4122,4126,4204,4208		CKSSYB104K10
C 3202,3251,3402,3602		CKSRYP103K50	C 4124,4125,4224,4225		CEVW100M16
C 3203,3204,3222,3223		CEVW221M25	C 4129,4130,4229,4230		CKSRYP104K50
C 3205,3206,3217,3218		CCG1192	C 4209,4212,4219,4221		CKSSYB104K10
C 3207,3208,3214,3215		CKSRYP104K16	C 4217,4218,4310,4317		CKSSYB103K16
C 3209,3210,3212,3213		CCSRCH102J50	C 4222,4226,4304,4308		CKSSYB104K10
C 3211,3403,3603,3803		CKSSYB103K16	C 4302,4328,4604,4605		CKSRYP103K50
C 3216,3219,3405,3406		CCSRCH102J50	C 4309,4312,4319,4321		CKSSYB104K10
C 3220,3221,3407,3408		CKSRYP104K16	C 4311,4413,4626		CKSSYB102K50
C 3224,3225,3404,3806		CCG1192	C 4318,4401,4404,4643		CKSSYB103K16
C 3228-3231,3649-3652		ACE7115	C 4320,4323,4562		CCG1192
C 3232-3235		ACE7099	C 4322,4324,4402,4403		CKSSYB104K10
C 3236-3243		ACE7101	C 4325,4326,4406,4516		CEVW100M16
C 3248-3250,3252,3417		CKSRYP104K50	C 4327,4502-4504,4506		CKSRYP102K50
C 3258-3261,3273-3276		ACE7119	C 4329,4330,4622,4623		CKSRYP104K50
C 3262,3265		CEHVAW221M35	C 4405,4409,4416		CKSSYB104K10
C 3263,3264,3266,3267		ACE7128	C 4411		CKSRYP104K16
C 3268-3271		CEANP221M16	C 4414,4415		CCSRCH102J50
C 3409,3410,4006,4007		CEVW100M16	C 4501,4512,4517,4525		CKSQYB104K50
C 3411,3606,4563		CEVW220M16	C 4505		CCH1680
C 3412,3413		CCSQCH472J50	C 4507,4508		ACE7128
C 3414,3415		CCSRCH152J50	C 4509,4514,4526,4529		CKSRYP102K50
C 3416,3421		CKSRYP334K10	C 4510,4511		CCH2055
C 3418,3420,4533-4536		CCG1236	C 4513		CEVW470M35
C 3419,3426,3427,3623		CKSRYP104K50	C 4515		ACE7100
C 3422,3423		CCSRCH560J50	C 4518		CKSQYB225K16
C 3424,3425,3918,4015		CKSSYB102K50	C 4523		CKSSYB103K25
C 3428-3431		CEVWNP100M35	C 4528,4531,4539-4542		CKSQYB104K50
C 3432-3435		CFHXSQ472J16	C 4532,4543-4548,4557		CKSRYP102K50
C 3604,3804,3805,3904		CCSRCH102J50	C 4537,4538,4600,4644		CKSQYB334K50
C 3605,3807,3808,3905		CKSRYP104K16	C 4553-4555,4558		CKSSYB104K10
C 3607-3610		CCSRCH332J50	C 4556,4646		CCSRCH101J50
C 3611-3614		CCSRCH122J50	C 4559,4584-4587,4602		CKSRYP102K50
C 3615-3622		CCSSCH121J50	C 4560,4561,4588-4591		CKSQYB104K50
C 3624,3628,4524,4527		CEVW101M25	C 4564-4566		CKSRYP153K50
C 3625-3627,3634,3638		CKSRYP104K50	C 4567-4571,4621,4624		CKSSYB104K10
C 3629,3630,3637,3642		CCSRCH101J50	C 4572		CCSSCH821J50
C 3639,3643,3810,3811		CKSRYP104K50	C 4573		CKSSYB682K25
C 3645-3648		CEANP470M25	C 4574		CKSSYB122K50
C 3802,3902,4002,4033		CKSRYP103K50	C 4575		CKSSYB332K50
C 3809,3906,4021,4028		CCG1192	C 4592-4599,4611,4613		CCG1192
C 3901,4032,4127,4227		CKSRYP102K50	C 4601,4648,4650,4652		CKSQYB104K50
C 3903,4010,4018,4019		CKSSYB103K16	C 4603,4607,4608,4645		CKSRYP102K50

Mark No. Description

C 4610,4612
C 4614
C 4625,4627,4628,4633

C 4641,4642
C 4647,4651
C 4653
C 4654
C 4655,4661

**H REGB ASSY
SEMICONDUCTORS**

△ IC 7601
△ IC 7602
△ IC 7603
D 7604,7605
D 7604,7605

MISCELLANEOUS

CN 7601 L-PLUG(9P)

CAPACITORS

C 7601-7603,7610,7611
C 7604-7606
C 7607
C 7608,7609
C 7613,7614,7616

C 7615

**I USBP ASSY
SEMICONDUCTORS**

△ IC 4851
IC 4852
Q 4851
Q 4851
Q 4852

Q 4852
Q 4852
D 4851

MISCELLANEOUS

L 4851 SMD SPL INDUCTOR
KN 4851,4852 WRAPPING TERMINAL
CN 4851 CONNECTOR
CN 4852 CONNECTOR

RESISTORS

R 4851
R 4852
R 4857,4862
R 4860
R 4861

R 4863
R 4865
Other Resistors

CAPACITORS

C 4851
C 4852
C 4855,4857
C 4856
C 4858

Part No.

CCG1212
CCG1192
CKSSYB104K10

CCH2000
CKSRYB102K50
CKSQYB104K50
CKSRYB104K50
CKSSYB104K10

NJM7805FA
NJM7815FA
NJM7915FA
RB501V-40
RB501VM-40

KM200NA9L

CKSRYB103K50
CKSRYB104K16
CCG1205
CKSQYB105K25
CKSRYB102K50

CKSRYB103K50

MM3543BH
TPS2557DRB
RN1903
UMH1N
LSCR523UB

2SC4154-11
LSC4081UB
DZ2J051M0

CTH1524
CKF1089
AKM1292
AKM1291

RS1/8SQ0R0J
RS1/16SS104J
RS1/16SS103J
RS1/16SS101J
RS1/10SR472J

RS1/10SR331J
RS1/10SR221J
RS1/16SS####D

CCG1254
CKSSYB102K50
CKSSYB104K10
CKSRYB153K50
CCSSCH821J50

Mark No. Description

C 4863,4864,4867
C 4865
C 4866
C 4868

**J USBC ASSY
MISCELLANEOUS**

JA 4801 USB JACK
CN 4801 CONNECTOR

CAPACITORS

C 4801
C 4802
C 4803
C 4804

**K USBB ASSY
MISCELLANEOUS**

JA 4701,4702 CONNECTOR
KN 4701,4702 WRAPPING TERMINAL
CN 4701 CONNECTOR

RESISTORS

R 4711,4713
Other Resistors

CAPACITORS

C 4707,4708
C 4713,4714
C 4715,4716

**L SEND ASSY
SEMICONDUCTORS**

IC 6001
Q 6001,6002
Q 6003,6004

MISCELLANEOUS

JA 6001,6002 6.5 DIA JACK
CN 6001 11P CONNECTOR

RESISTORS

R 6001,6002
R 6003,6004,6007,6008
R 6005,6006
R 6009,6010
R 6011,6012

Other Resistors

CAPACITORS

C 6001,6003
C 6002,6004-6006
C 6007,6008
C 6009,6010
C 6011,6012

C 6013,6014
C 6015,6016
C 6017,6018
C 6019

Part No.

CCG1192
CCH1565
CEVW331M6R3
CKSRYB104K16

DKB1118
AKM1281

CKSSYB103K16
CCG1192
CKSSYB102K50
CCSSCK2R0C50

DKN1607
CKF1089
AKM1281

RS1/10SR0R0J
RS1/16SS###J

CCG1192
CKSSYB103K16
CKSSYB102K50

NJM4565MD
2SK209
INC2002AC1

DKN1652
VKN1242

RS1/10SR4701D
RN1/16SE4702D
RN1/16SE4701D
RN1/16SE4301D
RD1/2VM821J

RS1/10SR###J

CKSRYB103K25
CEAT220M50
CCSQCH472J50
CCSRCH152J50
CCSRCH560J50

CKSRYB334K10
CKSSYB473K16
CEANP100M35
DCE1016

Mark No. Description

M HPPW ASSY SEMICONDUCTORS

⚠ IC 8001	MM3543BH
⚠ IC 8002	NJW4154GM1-A
IC 8201,8202	NJM4580DD
Q 8201,8203,8205,8207	LSCR523UB
Q 8201,8203,8205,8207	2SC4154-11
Q 8201,8203,8205,8207	LSC4081UB
Q 8202,8204,8206,8208	LSAR523UB
Q 8202,8204,8206,8208	LSA1576UB
Q 8202,8204,8206,8208	ISA1602AM1
Q 8209,8212,8214,8216	2SB1184F5
Q 8210,8211,8213,8215	2SD1760F5
Q 8217-8220	LTC124EUB
Q 8217-8220	RT1N241M
Q 8221-8224	LSAR523UB
Q 8221-8224	ISA1602AM1
D 8001	RB056L-40
D 8201-8212	1SS355VM
D 8201-8212	DA2J101

MISCELLANEOUS

L 8001 CHOKE COIL	CTH1436
L 8003 SMD SPL INDUCTOR	CTH1519
KN 8001,8002 EARTH TERMINAL	AKF7002
RY 8201,8202 RELAY	VSR1008
CN 8001 PLUG(4P)	KM200NA4
CN 8201 14P CONNECTOR	VKN1418
CN 8202 PLUG(7P)	KM200NA7

RESISTORS

R 8001,8010	RS1/16SS103J
R 8002	RS1/10SR9102D
R 8005,8021,8296	RS1/4SA0R0J
R 8022,8023	RS1/4SA681J
R 8201,8206-8209	RS1/10SR0R0J
R 8202-8205,8210-8213	RN1/16SE1201D
R 8214,8216,8217,8219	RN1/16SE4701D
R 8215,8218,8221,8224	RD1/2VM151J
R 8220,8222,8223,8225	RN1/16SE4701D
R 8226-8229,8234-8237	RN1/16SE1001D
R 8230-8233,8242-8245	RN1/16SE1201D
R 8238-8241,8246-8265	RS1/4SA240J
R 8268-8271	RD1/2VM151J
R 8272,8277,8278,8283	RS1/10SR104J
R 8273-8276,8279-8282	RS1/10SR102J
R 8284,8286,8288,8289	RS1/10SR473J
R 8285,8287,8290,8291	RS1/10SR103J
R 8292-8295	RS1/10SR473J
Other Resistors	RS1/16SS####D

CAPACITORS

C 8001,8003,8004,8017	ACG1142
C 8002,8007,8020,8026	CCSSCH102J50
C 8005,8006,8011,8014	CKSSYB104K16
C 8010	CKSYB475K25
C 8012,8022,8023,8028	CCG1192
C 8013	CKSRYB153K50
C 8015	CEAT221M10

Mark No. Description

C 8016	CCSSCH561J50
C 8021,8025	CKSSYB104K16
C 8024	CEAT470M25
C 8201,8205,8206,8221	CEAT101M16
C 8202,8204,8230,8231	CEAT101M25
C 8207	CCSRCH101J50
C 8208,8210,8212,8215	CCSRCH821J50
C 8209,8211,8213,8214	CKSRYB104K50
C 8226-8229	CCG1182
C 8232,8233	CEAT101M16

N HPJK ASSY MISCELLANEOUS

JA 8702 HEADPHONE JACK	XKB3066
KN 8701 SCREW PLATE	VNE1948
CN 8701 L-PLUG(4P)	KM200NA4L
VA 8701 VARISTORS	EZJZ1V270RM

RESISTORS

All Resistors	RS1/10SR###J
---------------	--------------

CAPACITORS

C 8702,8704	CFHXSP104J16
C 8708	CKSRYB102K50
C 8710	CKSRYB103K50

O HPJM ASSY MISCELLANEOUS

JA 6501 STEREO MINI JACK	XKN3017
KN 6501 SCREW PLATE	VNE1948
CN 6501 L-PLUG(3P)	KM200NA3L
VA 6503 VARISTORS	EZJZ1V270RM

RESISTORS

All Resistors	RS1/10SR###J
---------------	--------------

CAPACITORS

C 6502,6503	CKSRYB104K25
C 6505	CKSRYB102K50
C 6506	CKSRYB103K50

P PNL A ASSY SEMICONDUCTORS

IC 7001	DYW1933*
*Part number of the initial firmware equipped	
IC 7002	S-80927CNMC-G8X
IC 7003,7004	NJM2872BF33
IC 7005-7008	TC74HC4051AF
IC 7009	NJM2903M
Q 7001	RT1P141M
Q 7001	LTA114EUB
Q 7002	RT1P241M-11
Q 7002	LTA124EUB
Q 7003,7012-7027	LSCR523UB
Q 7003,7012-7027	2SC4154-11
Q 7008,7010,7037,7039	RT1N241M
Q 7008,7010,7037,7039	LTC124EUB
Q 7033-7036,7049-7065	LSCR523UB
Q 7033-7036,7049-7065	2SC4154-11

Mark No. Description

Q 7038,7040,7042,7044
Q 7041,7043,7045,7047
Q 7041,7043,7045,7047
Q 7046,7048
Q 7066

Q 7066
Q 7067-7076
Q 7067-7076
Q 7079-7082
Q 7079-7082

D 7000-7012,7017,7018
D 7013-7016,7019-7036
D 7037-7040,7043-7096
D 7041,7042,7129-7138
D 7097-7099,7173,7178

D 7110,7139-7172
D 7110,7139-7172
D 7111-7121,7179-7184
D 7122-7127
D 7128

D 7174-7177
D 7174-7177

MISCELLANEOUS

VR 7001-7003 POTENTIOMETER
VR 7004,7008,7012,7016 ROTARY VR
VR 7005-7007 POTENTIOMETER
VR 7009-7011 POTENTIOMETER
VR 7013-7015 POTENTIOMETER

VR 7018-7020,7022 POTENTIOMETER
VR 7021 POTENTIOMETER
VR 7023 POTENTIOMETER
S 7001-7004 ROTARY SWITCH
S 7005,7006 SLIDE SWITCH

S 7007 SLIDE SWITCH
S 7008-7022,7028,7029 TACT SWITCH
S 7023-7027 TACT SWITCH
X 7001 CERAMIC RESONATOR
CN 7001,7004 24P CONNECTOR

CN 7002 19P CONNECTOR
CN 7003 28P CONNECTOR
CN 7006 PLUG(3P)
CN 7007 PLUG(3P)
CN 7008 PLUG(3P)

CN 7009 PLUG(3P)

RESISTORS

All Resistors

CAPACITORS

C 7001-7003,7005
C 7006-7008,7010,7013
C 7009,7125
C 7014,7017
C 7015,7018,7028-7032

C 7016,7019-7023,7026
C 7024
C 7025,7066,7068-7071
C 7034-7037,7131
C 7038,7043-7045

C 7039,7040,7042,7120

Part No.

2SB1689
LTC124EUB
RT1N241M
2SB1689
RT1P431M

LTA143EUB
RT1N241M
LTC124EUB
LSCR523UB
2SC4154-11

LTL17KRH5D
SLI-343YYW
LTL17KGH5D
SLI-343YYW
SLI-343M8G

1SS355VM
DA2J101
SLR343BD2T
SLR343WBD2PT
LTL17KCGP4J

DA2J101
1SS355VM

DCS1065
DCS1126
DCS1065
DCS1065
DCS1065

DCS1065
DCS1109
DCS1108
DSG1131
DSH1066

DSH1058
DSG1079
DSG1117
DSS1147
VKN1255

VKN1250
VKN1259
KM200NA3
KM200NA3R
KM200NA3E

KM200NA3Y

RS1/10SR###J

XCEJQ470M16
CKSRYB104K16
CKSRYB104K50
CKSRYB105K10
CCSRCH102J50

CKSRYB104K16
DCH1256
CCSRCH471J50
CCSRCH102J50
CKSRYB104K16

CKSRYB103K50

Mark No. Description

C 7048
C 7049,7127,7128
C 7050
C 7051-7065,7067

C 7072-7079,7081
C 7080,7082-7085,7089
C 7086-7088,7090
C 7091-7094,7098
C 7095-7097,7099

C 7101-7103,7108,7109
C 7104-7107,7123,7126
C 7111-7119
C 7121,7130
C 7124

Q FAD1 ASSY
MISCELLANEOUS

VR 7811 SLIDE VR
CN 7811 L-PLUG(3P)

DCV1027
KM200NA3L

R FAD2 ASSY
MISCELLANEOUS

VR 7821 SLIDE VR
CN 7821 L-PLUG(3P)

DCV1027
KM200NA3L

S FAD3 ASSY
MISCELLANEOUS

VR 7831 SLIDE VR
CN 7831 L-PLUG(3P)

DCV1027
KM200NA3L

T FAD4 ASSY
MISCELLANEOUS

VR 7841 SLIDE VR
CN 7841 L-PLUG(3P)

DCV1027
KM200NA3L

U CDCB ASSY
SEMICONDUCTORS

NSP IC 4902
D 4916-4921

ATSAMD20E15A-MU
SWBA05

MISCELLANEOUS

L 4906 CHIP SOLID INDUCTOR
CN 4906 24P CONNECTOR
CN 4909,4910 FFC/FPC CONNECTOR
CN 4911 7P CONNECTOR

XTL3010
VKN1428
CKS6476
VKN1411

RESISTORS

R 4900,4921,4922
R 4924-4926,4945-4956
Other Resistors

RS1/10SR122J
RS1/10SR122J
RS1/16SS###J

CAPACITORS

C 4910,4911,4922-4924
C 4912,4913,4916,4917
C 4914,4915
C 4920,4921
C 4925,4941-4945

CKSSYB104K10
CKSRYB104K50
CKSQYB105K25
CCG1222
CKSSYB102K50

Mark No.	Description	Part No.
C 4934		CKSRYB104K50
C 4936,4953,4957		CCG1234
C 4937,4938,4956,4958		CKSSYB104K10
C 4954		DCH1266

V PNLB ASSY

SEMICONDUCTORS

Q 7502,7511	2SC4154-11
Q 7502,7511	LSCR523UB
D 7505,7506	SLR343BD2T
D 7509-7524	DA2J101
D 7509-7524	1SS355VM
D 7525,7526	SLI-343YYW

MISCELLANEOUS

VR 7501,7504 ROTARY VR	DCS1125
VR 7502,7503 POTENTIOMETER	DCS1065
S 7501-7506 SLIDE SWITCH	DSH1058
S 7507,7508 SLIDE SWITCH	DSH1066
S 7509,7513 ROTARY ENCODER	DSX1068
S 7510 TACT SWITCH	DSG1117
S 7511 TACT SWITCH	DSG1079
S 7512 12MM GS ENCODER	DSX1064
CN 7501 28P CONNECTOR	VKN1259
CN 7502 PLUG(3P)	KM200NA3
CN 7503 6P CONNECTOR	VKN1237

RESISTORS

All Resistors	RS1/10SR###J
---------------	--------------

CAPACITORS

C 7501,7504,7506-7508	CKSRYB104K16
C 7502	XCEJQ470M16
C 7503,7505	CKSRYB103K50
C 7510	CKSRYB104K16

W CRFD ASSY

* When replacement of the CRFD Assy is required, be sure to order the CROSS FADER Assy (DXA2257) which is a parent Assy.

X SW POWER SUPPLY

There is no service parts.

Y ACSW ASSY

MISCELLANEOUS

⚠ S 7701 SWITCH	DSA1036
⚠ CN 7701 2P-SIDE VA-CONNECTOR	S2P3-VH
⚠ JP 7701 BOARD IN CONNECTOR	DDX1287

CAPACITORS

⚠ C 7701	ACG7030
----------	---------

Z GRDM ASSY

There is no service parts.