

Service Manual



DV-79AVi

ORDER NO.
RRV3286

DVD PLAYER

DV-79AVi DV-79AVi-S

THIS MANUAL IS APPLICABLE TO THE FOLLOWING MODEL(S) AND TYPE(S).

Model	Type	Power Requirement	Region No.	Remarks
DV-79AVi	KUXJ/CA	AC120V	1	
DV-79AVi-S	KUXJ/CA	AC120V	1	



For details, refer to "Important symbols for good services".

SAFETY INFORMATION



This service manual is intended for qualified service technicians ; it is not meant for the casual do-it-yourselfer. Qualified technicians have the necessary test equipment and tools, and have been trained to properly and safely repair complex products such as those covered by this manual.

Improperly performed repairs can adversely affect the safety and reliability of the product and may void the warranty. If you are not qualified to perform the repair of this product properly and safely, you should not risk trying to do so and refer the repair to a qualified service technician.

WARNING

This product contains lead in solder and certain electrical parts contain chemicals which are known to the state of California to cause cancer, birth defects or other reproductive harm.

Health & Safety Code Section 25249.6 – Proposition 65

NOTICE

(FOR CANADIAN MODEL ONLY)

Fuse symbols (fast operating fuse) and/or (slow operating fuse) on PCB indicate that replacement parts must be of identical designation.

REMARQUE

(POUR MODÈLE CANADIEN SEULEMENT)

Les symboles de fusible (fusible de type rapide) et/ou (fusible de type lent) sur CCI indiquent que les pièces de remplacement doivent avoir la même désignation.

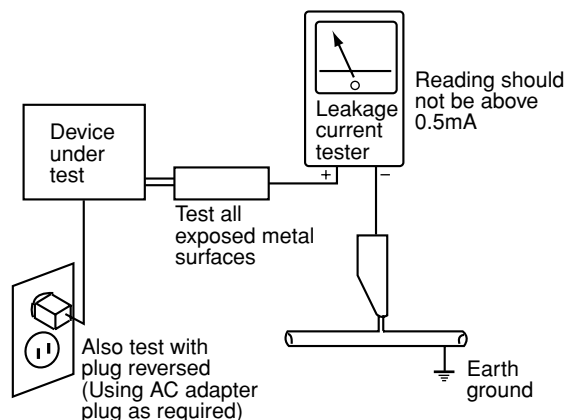
(FOR USA MODEL ONLY)

1. SAFETY PRECAUTIONS

The following check should be performed for the continued protection of the customer and service technician.

LEAKAGE CURRENT CHECK

Measure leakage current to a known earth ground (waterpipe, conduit, etc.) by connecting a leakage current tester such as Simpson Model 229-2 or equivalent between the earth ground and all exposed metal parts of the appliance (input/output terminals, screwheads, metal overlays, control shaft, etc.). Plug the AC line cord of the appliance directly into a 120V AC 60Hz outlet and turn the AC power switch on. Any current measured must not exceed 0.5mA.



AC Leakage Test

ANY MEASUREMENTS NOT WITHIN THE LIMITS OUTLINED ABOVE ARE INDICATIVE OF A POTENTIAL SHOCK HAZARD AND MUST BE CORRECTED BEFORE RETURNING THE APPLIANCE TO THE CUSTOMER.

2. PRODUCT SAFETY NOTICE

Many electrical and mechanical parts in the appliance have special safety related characteristics. These are often not evident from visual inspection nor the protection afforded by them necessarily can be obtained by using replacement components rated for voltage, wattage, etc. Replacement parts which have these special safety characteristics are identified in this Service Manual.

Electrical components having such features are identified by marking with a Δ on the schematics and on the parts list in this Service Manual.

The use of a substitute replacement component which does not have the same safety characteristics as the PIONEER recommended replacement one, shown in the parts list in this Service Manual, may create shock, fire, or other hazards.

Product Safety is continuously under review and new instructions are issued from time to time. For the latest information, always consult the current PIONEER Service Manual. A subscription to, or additional copies of, PIONEER Service Manual may be obtained at a nominal charge from PIONEER.

[Important Check Points for Good Servicing]

In this manual, procedures that must be performed during repairs are marked with the below symbol. Please be sure to confirm and follow these procedures.

1. Product safety



Please conform to product regulations (such as safety and radiation regulations), and maintain a safe servicing environment by following the safety instructions described in this manual.

- ① Use specified parts for repair.

Use genuine parts. Be sure to use important parts for safety.

- ② Do not perform modifications without proper instructions.

Please follow the specified safety methods when modification (addition/change of parts) is required due to interferences such as radio/TV interference and foreign noise.

- ③ Make sure the soldering of repaired locations is properly performed.

When you solder while repairing, please be sure that there are no cold solder and other debris. Soldering should be finished with the proper quantity. (Refer to the example)

- ④ Make sure the screws are tightly fastened.

Please be sure that all screws are fastened, and that there are no loose screws.

- ⑤ Make sure each connectors are correctly inserted.

Please be sure that all connectors are inserted, and that there are no imperfect insertion.

- ⑥ Make sure the wiring cables are set to their original state.

Please replace the wiring and cables to the original state after repairs. In addition, be sure that there are no pinched wires, etc.

- ⑦ Make sure screws and soldering scraps do not remain inside the product.

Please check that neither solder debris nor screws remain inside the product.

- ⑧ There should be no semi-broken wires, scratches, melting, etc. on the coating of the power cord.

Damaged power cords may lead to fire accidents, so please be sure that there are no damages. If you find a damaged power cord, please exchange it with a suitable one.

- ⑨ There should be no spark traces or similar marks on the power plug.

When spark traces or similar marks are found on the power supply plug, please check the connection and advise on secure connections and suitable usage. Please exchange the power cord if necessary.

- ⑩ Safe environment should be secured during servicing.

When you perform repairs, please pay attention to static electricity, furniture, household articles, etc. in order to prevent injuries. Please pay attention to your surroundings and repair safely.

2. Adjustments



To keep the original performance of the products, optimum adjustments and confirmation of characteristics within specification. Adjustments should be performed in accordance with the procedures/instructions described in this manual.

3. Lubricants, Glues, and Replacement parts



Use grease and adhesives that are equal to the specified substance. Make sure the proper amount is applied.

4. Cleaning



For parts that require cleaning, such as optical pickups, tape deck heads, lenses and mirrors used in projection monitors, proper cleaning should be performed to restore their performances.

5. Shipping mode and Shipping screws





To protect products from damages or failures during transit, the shipping mode should be set or the shipping screws should be installed before shipment. Please be sure to follow this method especially if it is specified in this manual.

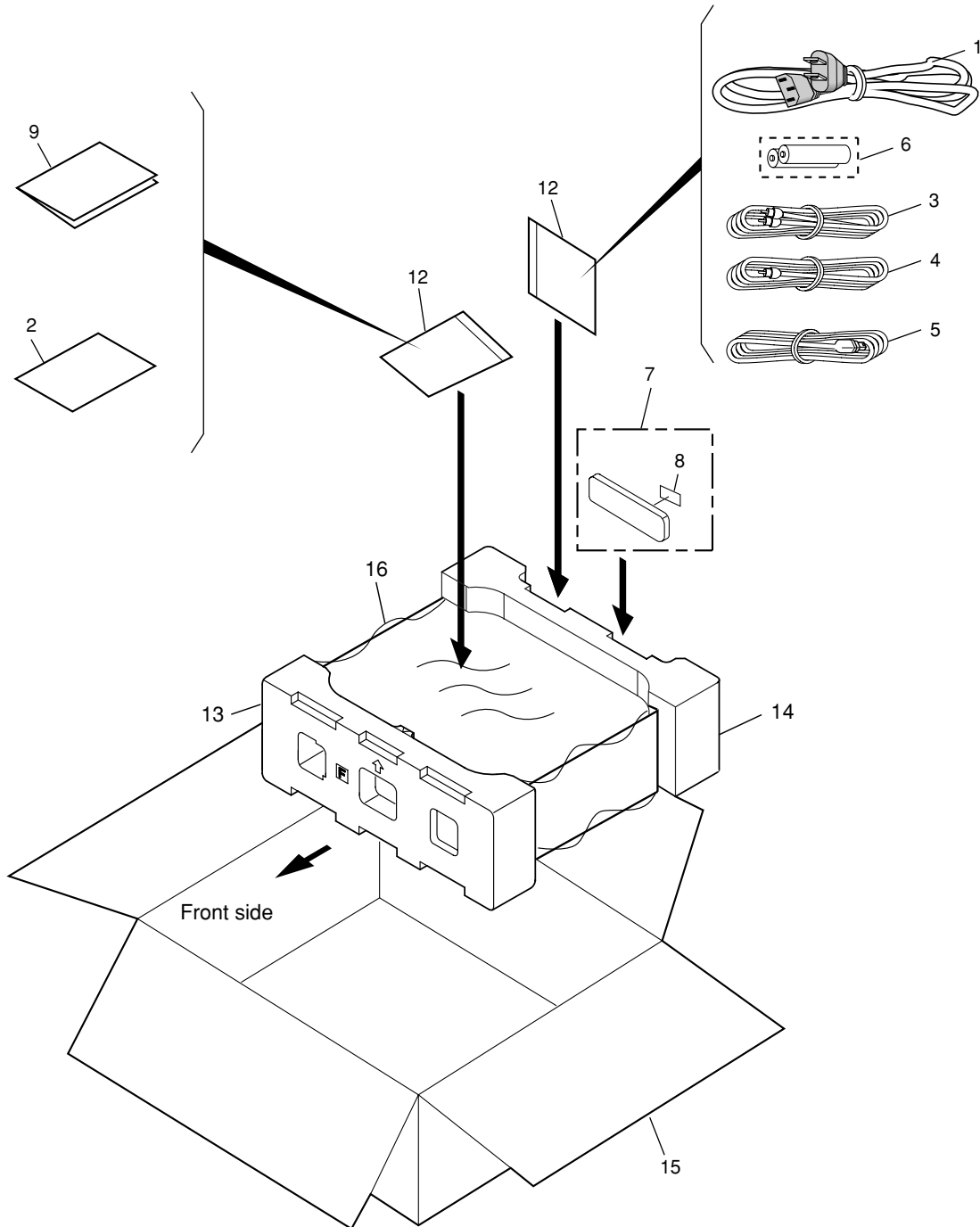
CONTENTS

	SAFETY INFORMATION	2
A	1. SPECIFICATIONS	5
	2. EXPLODED VIEWS AND PARTS LIST	6
	2.1 PACKING	6
	2.2 EXTERIOR SECTION.....	8
	2.3 FRONT PANEL SECTION	10
	2.4 LOADER MECHA. ASSY.....	12
	2.5 TRAVERSE MECHA. ASSY-S	14
	3. BLOCK DIAGRAM AND SCHEMATIC DIAGRAM	16
	3.1 OVERAL BLOCK DIAGRAM.....	16
	3.2 LOAB ASSY and OVERALL WIRING DIAGRAM.....	18
	3.3 DVDM ASSY 1/6 [FTS BLOCK]	20
	3.4 DVDM ASSY 2/6 [FR BLOCK]	22
B	3.5 DVDM ASSY 3/6 [EBY/AV1 BLOCK]	24
	3.6 DVDM ASSY 4/6 [i.LINK BLOCK]	26
	3.7 DVDM ASSY 5/6 [VIDEO BLOCK].....	28
	3.8 DVDM ASSY 6/6 [A-DSP/AQE/SACD BLOCK].....	30
	3.9 AJKB ASSY	32
	3.10 VJKB ASSY	34
	3.11 FLKY, KEYB and MSWB ASSYS.....	36
	3.12 POWER SUPPLY UNIT.....	38
	3.13 WAVEFORMS	40
	4. PCB CONNECTION DIAGRAM	43
	4.1 LOAB ASSY	43
	4.2 DVDM ASSY	44
C	4.3 AJKB ASSY	48
	4.4 VJKB ASSY.....	50
	4.5 FLKY and KEYB ASSYS	52
	4.6 PS ASSY.....	56
	4.7 POWER SUPPLY UNIT.....	57
	5. PCB PARTS LIST	58
	6. ADJUSTMENT	75
	6.1 ADJUSTMENT ITEMS AND LOCATION	75
	6.2 JIGS AND MEASURING INSTRUMENTS.....	75
	6.3 NECESSARY ADJUSTMENT POINTS	76
	6.4 TEST MODE	77
	6.5 MECHANISM ADJUSTMENT	78
D	7. GENERAL INFORMATION	80
	7.1 DIAGNOSIS	80
	7.1.1 ID NUMBER AND ID DATA SETTING	80
	7.1.2 SELF-DIAGNOSIS FUNCTION OF PICKUP DEFECTIVE	82
	7.1.3 TEST MODE SCREEN DISPLAY	83
	7.1.4 SELF-DIAGNOSIS FUNCTION	85
	7.1.5 FUNCTIONAL SPECIFICATION OF THE SERVICE MODE	86
	7.1.6 ERROR DISPLAY	87
	7.1.7 TROUBLE SHOOTING	90
	7.1.8 FAILURE-TEST METHOD FOR THE HDMI TRANSMITTER IC	92
	7.1.9 SERIAL-DOWNLOAD	93
	7.1.10 DISASSEMBLY	94
E	8. PANEL FACILITIES	104

2. EXPLODED VIEWS AND PARTS LIST

- NOTES:
- Parts marked by "NSP" are generally unavailable because they are not in our Master Spare Parts List.
 - The  mark found on some component parts indicates the importance of the safety factor of the part. Therefore, when replacing, be sure to use parts of identical designation.
 - Screws adjacent to  mark on product are used for disassembly.
 - For the applying amount of lubricants or glue, follow the instructions in this manual. (In the case of no amount instructions, apply as you think it appropriate.)

2.1 PACKING



PACKING parts List

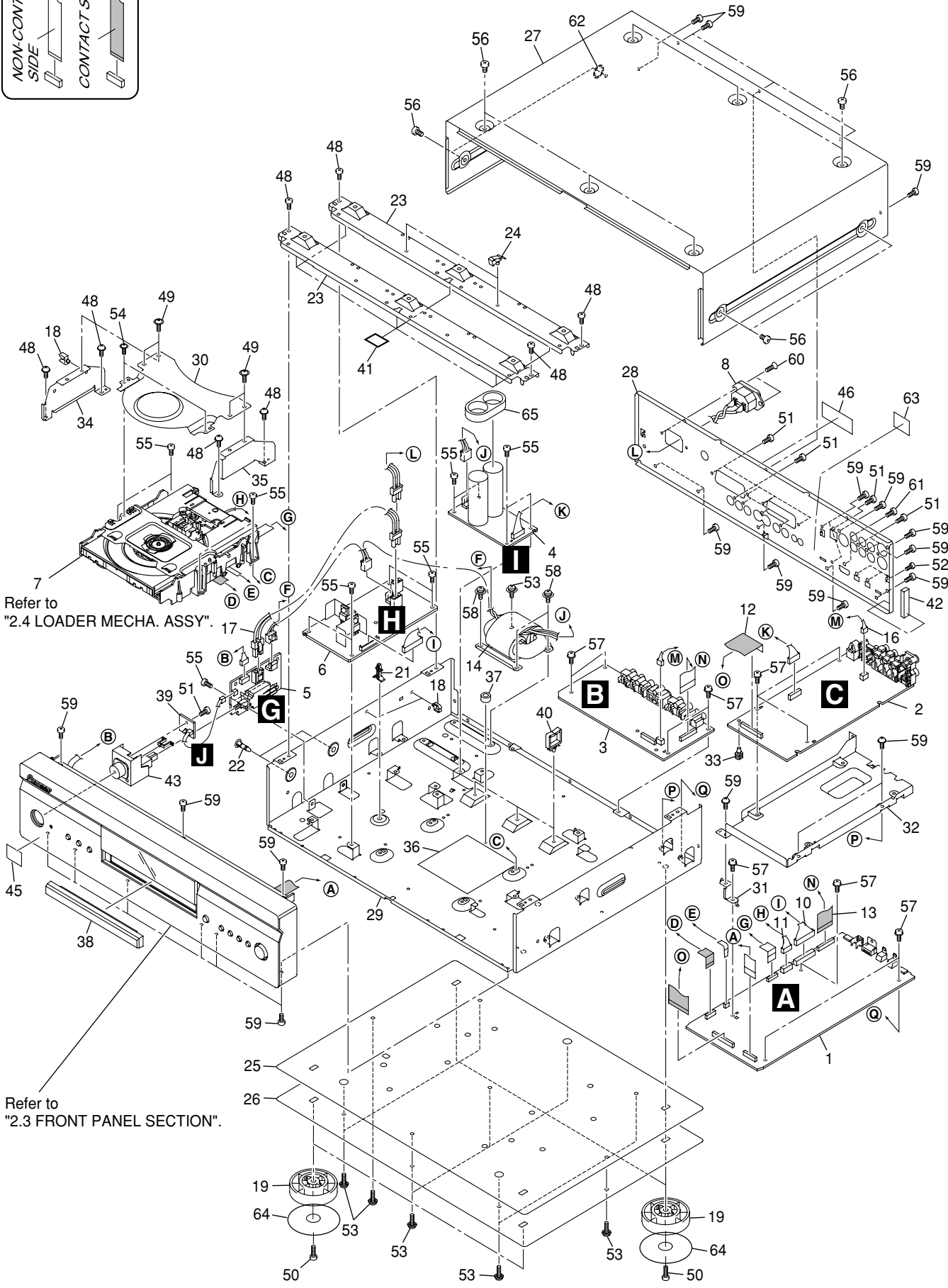
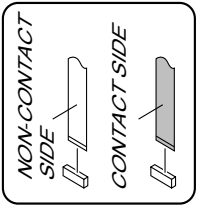
<u>Mark No.</u>	<u>Description</u>	<u>Part No.</u>	<u>Mark No.</u>	<u>Description</u>	<u>Part No.</u>
△ 1	Power Cable	ADG7061	11	• • • • •	
NSP 2	Warranty Card	ARY7007	12	Polyethylene Bag	VHL1051
3	Stereo Audio Cable (L = 1.5 m)	VDE1064	13	Pad F	VHA1394
4	Video Cable (L = 1.5 m)	VDE1065	14	Pad R	VHA1395
5	4-pin S400 i.LINK Cable (L = 1.5 m)	VDE1076	15	Packing Case	See Contrast table (2)
			16	Mirror Mat Sheet	AHG7010
NSP 6	Dry Cell Battery	VEM1031			
7	Remote Control	VXX2893			
8	Battery Cover	VNK4423			
9	Operating Instructions (English)	VRB1390			
10	• • • • •				

(2) CONTRAST TABLE

DV-79AVi / KUXJ/CA and DV-79AVi-S / KUXJ/CA are constructed the same except for the following :

Mark	No.	Symbol and Description	DV-79AVi /KUXJ/CA	DV-79AVi-S /KUXJ/CA
	15	Packing Case	VHG2643	VHG2661

2.2 EXTERIOR SECTION



EXTERIOR SECTION parts List

Mark No.	Description	Part No.	Mark No.	Description	Part No.
1	DVDM Assy	VWS1600	NSP 34	MECHA Angle L	VNE2411
2	AJKB Assy	VWV2148	NSP 35	MECHA Angle R	VNE2412
3	VJKB Assy	VWV2151	36	Protection Barrier	VEC2485
4	PS Assy	VWV2153	NSP 37	Spacer	AEB7092
5	MSWB Assy	VWG2548	38	Tray Panel	See Contrast table (2)
⚠ 6	POWER SUPPLY Unit	VWR1397	39	PLED Assy	VWG2557
NSP 7	LOADER MECHA. Assy	VWT1218	40	Wire Saddle	VEC2310
⚠ 8	AC Inlet Assy	VKP2364	41	Beam Spacer 989	VEC2499
9	• • • • •		42	Gasket 3*5*80	VEC2501
10	Connector Assy(13P)	VKP2378	43	Power Button Assy	See Contrast table (2)
11	Connector Assy	PG05KK-E30	44	• • • • •	
12	FFC (31P, AVKB)	VDA2102	NSP 45	Energy Star Label	AAX8022
13	FFC (23P, VJKB)	VDA1972	NSP 46	ID Label Assy	VXW1004
⚠ 14	Power Transformer	VTT1168	47	• • • • •	
15	• • • • •		48	Screw 3x6 B T (FE)	ABA1192
16	• • • • •		49	Screw	IBZ30P080FTC
⚠ 17	Housing Assy (2P)	VKP2379	50	Screw	BBZ30P100FCC
18	Mini Clamp	AEC7373	51	Screw	PPZ30P080FCC
19	Insulator	AMR7198	52	Screw	PCZ26P060FCC
20	• • • • •		53	Screw (3x9 BT)	ABA7101
21	PCB Support	VEC2184	54	Screw	VBA1094
NSP 22	PCB Holder	PNW2029	55	Screw	BBZ30P080FCC
NSP 23	Beam 989	VNE2408	56	Screw	See Contrast table (2)
24	Mini Clamp 2	AEC7507	57	Screw (3x8 BT)	ABA7017
NSP 25	Bottom Plate	VNA2836	58	Screw	VBA1110
NSP 26	Bottom Plate 989B	VNA2852	59	Screw	BBT30P100FCC
27	Bonnet	See Contrast table (2)	60	Screw	CBZ30P080FCC
28	Rear Panel	VNA2838	61	Screw	PCZ30P060FCC
NSP 29	Chassis 989	VNA2843	62	Toothed Lock Washers	WH40FNI
NSP 30	Mechanism Cover	VNE2410	63	Label 79S	See Contrast table (2)
NSP 31	PCB Angle	VNE2409	64	Cushion 55	PNM1339
32	PCB Holder AJ	VNE2330	65	C Cushion	VEB1375
33	Card Spacer	AEC7214			

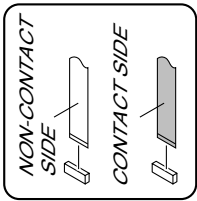
(2) CONTRAST TABLE

DV-79AVi / KUXJ/CA and DV-79AVi-S / KUXJ/CA are constructed the same except for the following :

Mark	No.	Symbol and Description	DV-79AVi /KUXJ/CA	DV-79AVi-S /KUXJ/CA
	27	Bonnet	VXX3079	VXX3077
	38	Tray Panel	VNK5848	VNK5850
	43	Power Button Assy	VXA2726	VXA2724
	56	Screw	BCZ40P060FTB	BCZ40P060FNI
	63	Label 79S	Not used	VRW2244

2.3 FRONT PANEL SECTION

A



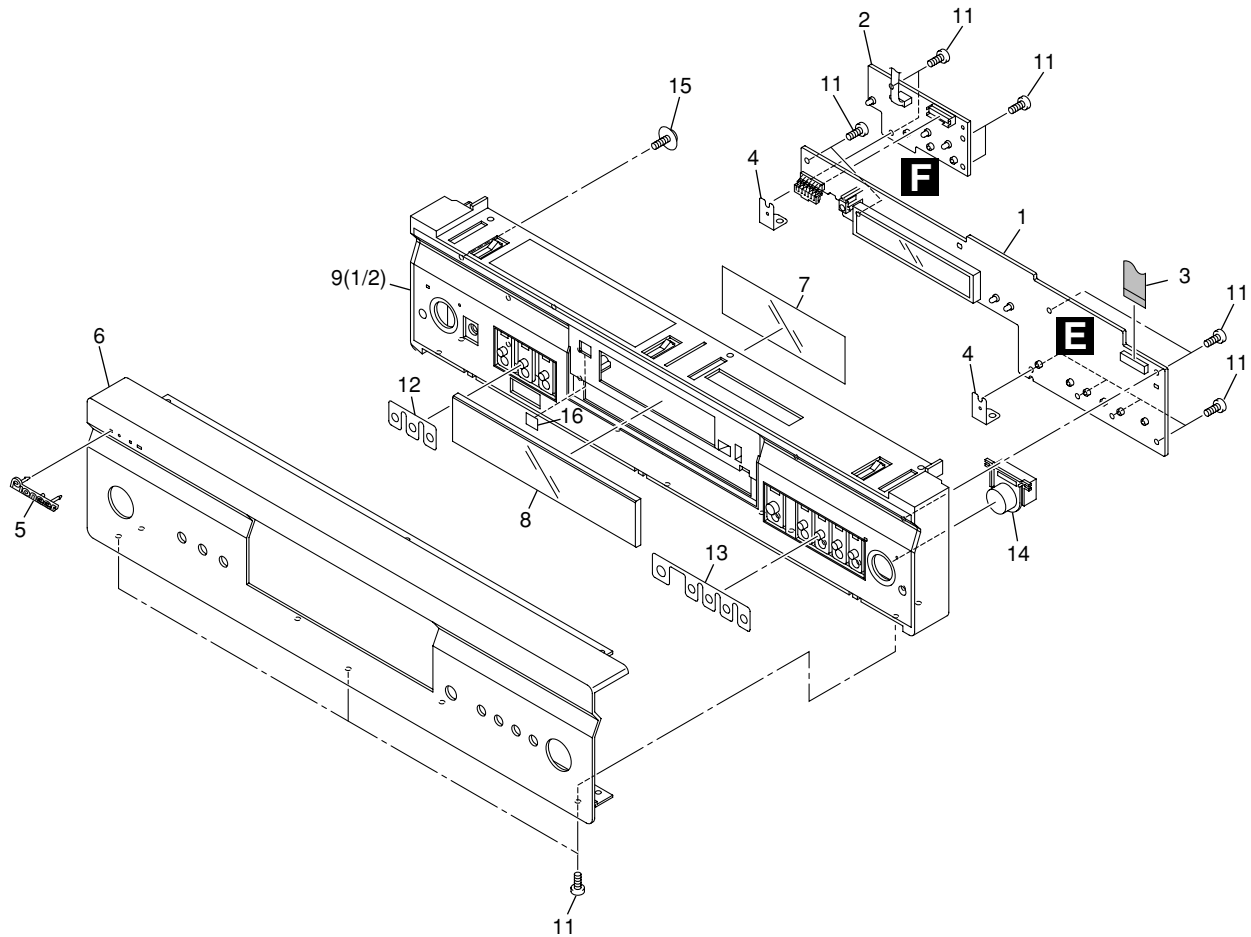
B

C

D

E

F



FRONT PANEL SECTION parts List

<u>Mark No.</u>	<u>Description</u>	<u>Part No.</u>	<u>Mark No.</u>	<u>Description</u>	<u>Part No.</u>
1	FLKY Assy	VWG2551	10	• • • •	
2	KEYB Assy	VWG2553			
3	FFC (17P, FLKB)	VDA2089	11	Screw	PPZ30P080FCC
4	Earth Plate S	VNF1131	12	Button Sheet L	See Contrast table (2)
5	Pioneer Name Plate	See Contrast table (2)	13	Button Sheet R	See Contrast table (2)
			14	Standby BTN V1 (P)	See Contrast table (2)
6	Aluminum Panel	See Contrast table (2)	15	Screw	ABA7110
7	FL Filter	See Contrast table (2)			
8	D Window	See Contrast table (2)	16	Hologram label	ARW7239
9	Panel Base Assy	See Contrast table (2)			

(2) CONTRAST TABLE

DV-79AVi / KUXJ/CA and DV-79AVi-S / KUXJ/CA are constructed the same except for the following :

Mark	No.	Symbol and Description	DV-79AVi /KUXJ/CA	DV-79AVi-S /KUXJ/CA
	5	Pioneer Name Plate	PAN1376	VAM1124
	6	Aluminum Panel	VAH1428	VAH1435
	7	FL Filter	VEC2508	VEC2509
	8	D Window	VEC2488	VEC2474
	9	Panel Base Assy	VXA2723	VXA2721
	12	Button Sheet L	Not used	VED1014
	13	Button Sheet R	Not used	VED1015
	14	Standby BTN V1 (P)	XAD3173	XAD3191

2.4 LOADER MECHA. ASSY

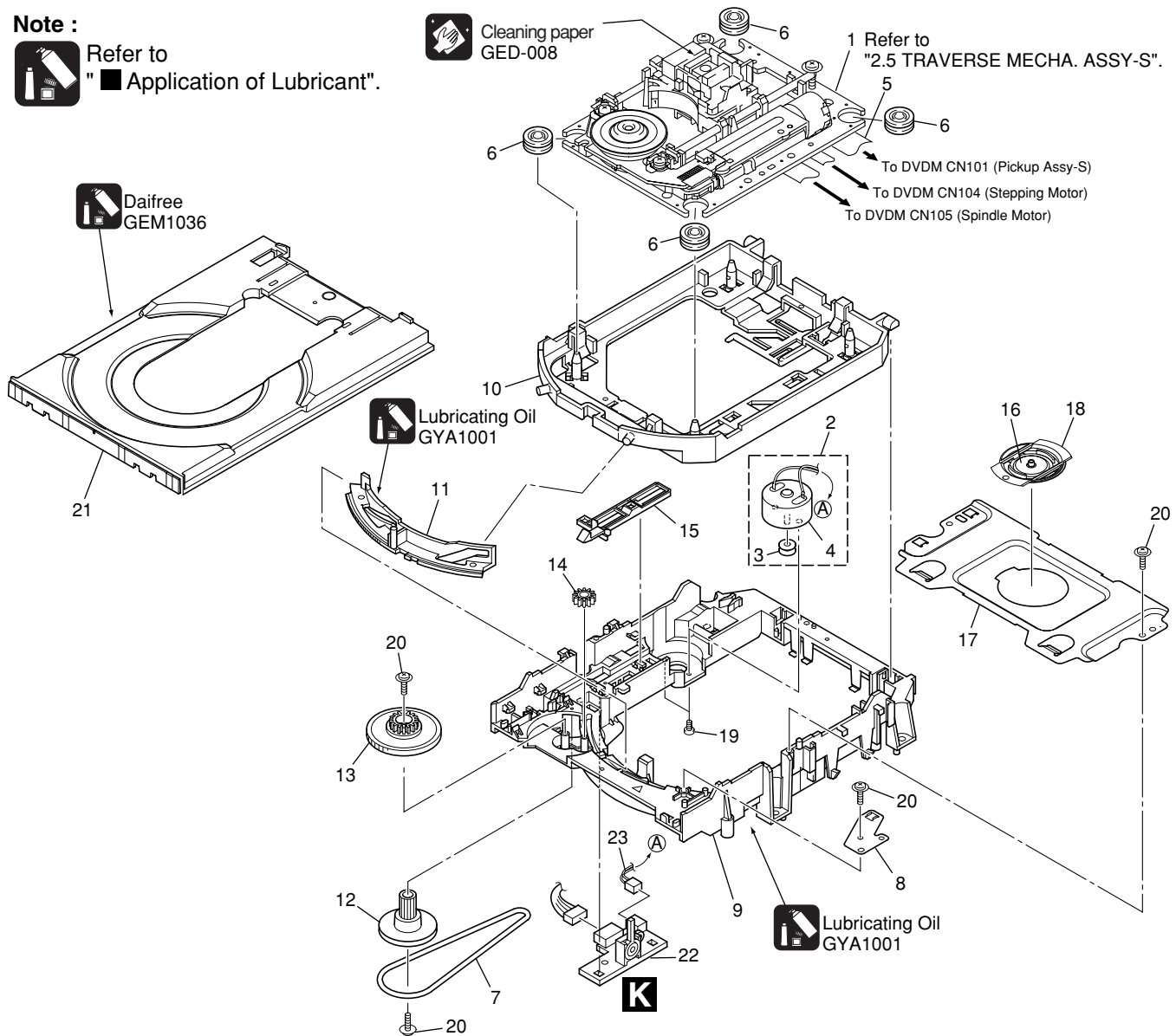
Note :



Refer to
"Application of Lubricant".



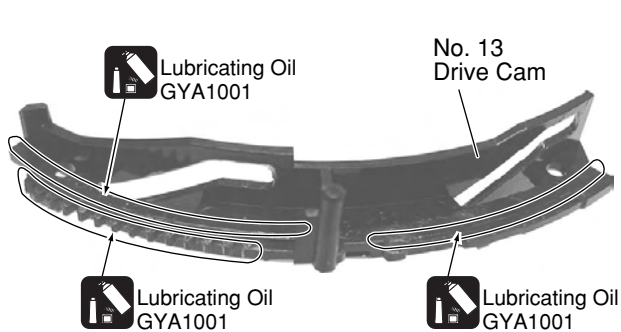
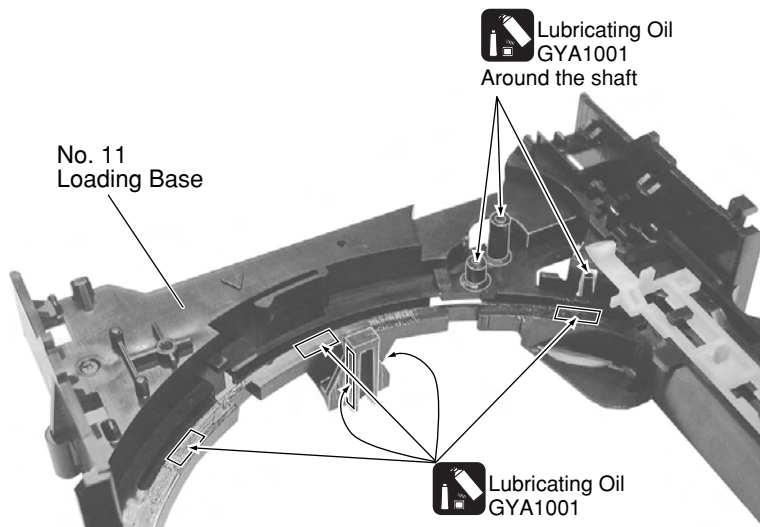
Cleaning paper
GED-008



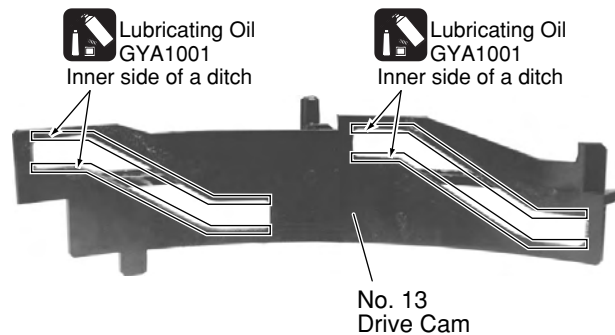
LOADER MECHA. ASSY parts List

Mark No.	Description	Part No.	Mark No.	Description	Part No.
1	Traverse Mecha. Assy-S	VXX2909	17	Bridge	VNE2343
2	Loading Motor Assy	VXX2912	18	Clamper	VNL1924
3	Motor Pulley	PNW1634	19	Screw	JGZ17P028FMC
4	Motor	VXM1107	20	Screw	VBA1094
5	Flexible Cable (24P)	VDA1947			
6	Floating Rubber	VEB1351	21	Tray	VNL1920
7	Belt	VEB1358	NSP 22	LOAB Assy	VWG2426
8	Stabilizer	VNE2253	23	Connector Assy (2P)	VKP2253
9	Loading Base	VNL1917			
10	Float Base DVD	VNL1918			
11	Drive Cam	VNL1919			
12	Gear Pulley	VNL1921			
13	Loading Gear	VNL1922			
14	Drive Gear	VNL1923			
15	SW Lever	VNL1925			
16	Clamper Plate	VNE2342			

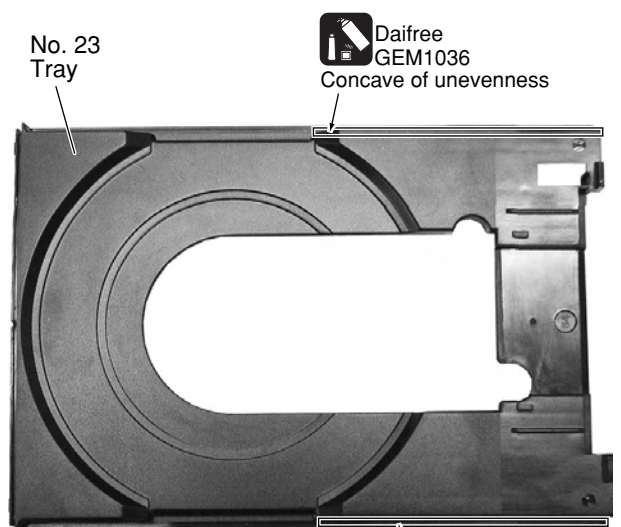
Application of Lubricant



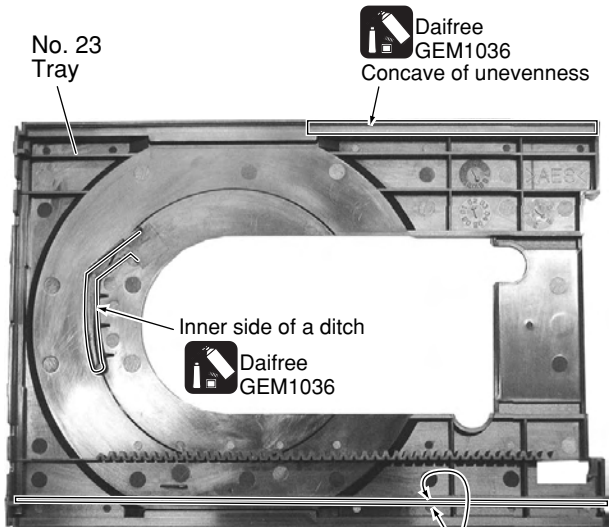
● Front View



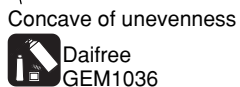
● Rear View



● Top View

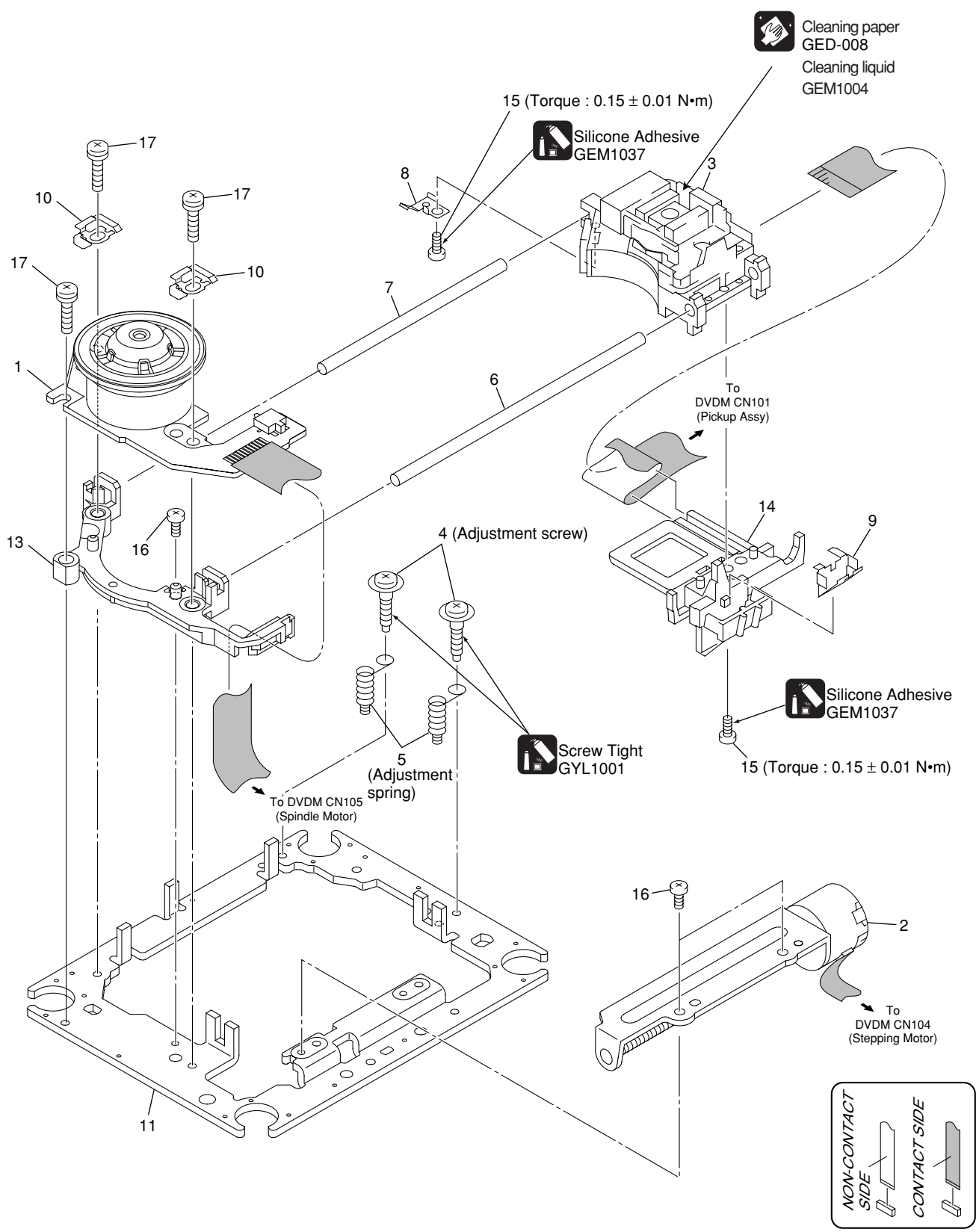


● Bottom View



2.5 TRAVERSE MECHA. ASSY-S

A
B
C
D
E
F



TRAVERSE MECHA. ASSY-S parts List

<u>Mark No.</u>	<u>Description</u>	<u>Part No.</u>
1	Spindle Motor	VXM1099
2	Stepping Motor	VXM1101
3	Pickup Assy-S	OXX8005
4	Skew Screw	VBA1080
5	Skew Spring	VBH1335
6	Guide Bar	VLL1514
7	Sub Guide Bar	VLL1515
8	Leaf Spring	VNC1023
9	Joint Spring	VNC1019
10	Support Spring	VNC1020
NSP 11	Mecha.Chassis	VNE2248
12	Damper Sheet	VEB1335
13	Spacer	VNL1913
14	Joint 03	VNL1949
15	Tapping Screw	OBA8021
16	Screw	BBZ20P050FZK
17	Screw	PMA26P100FMC

A

B

C

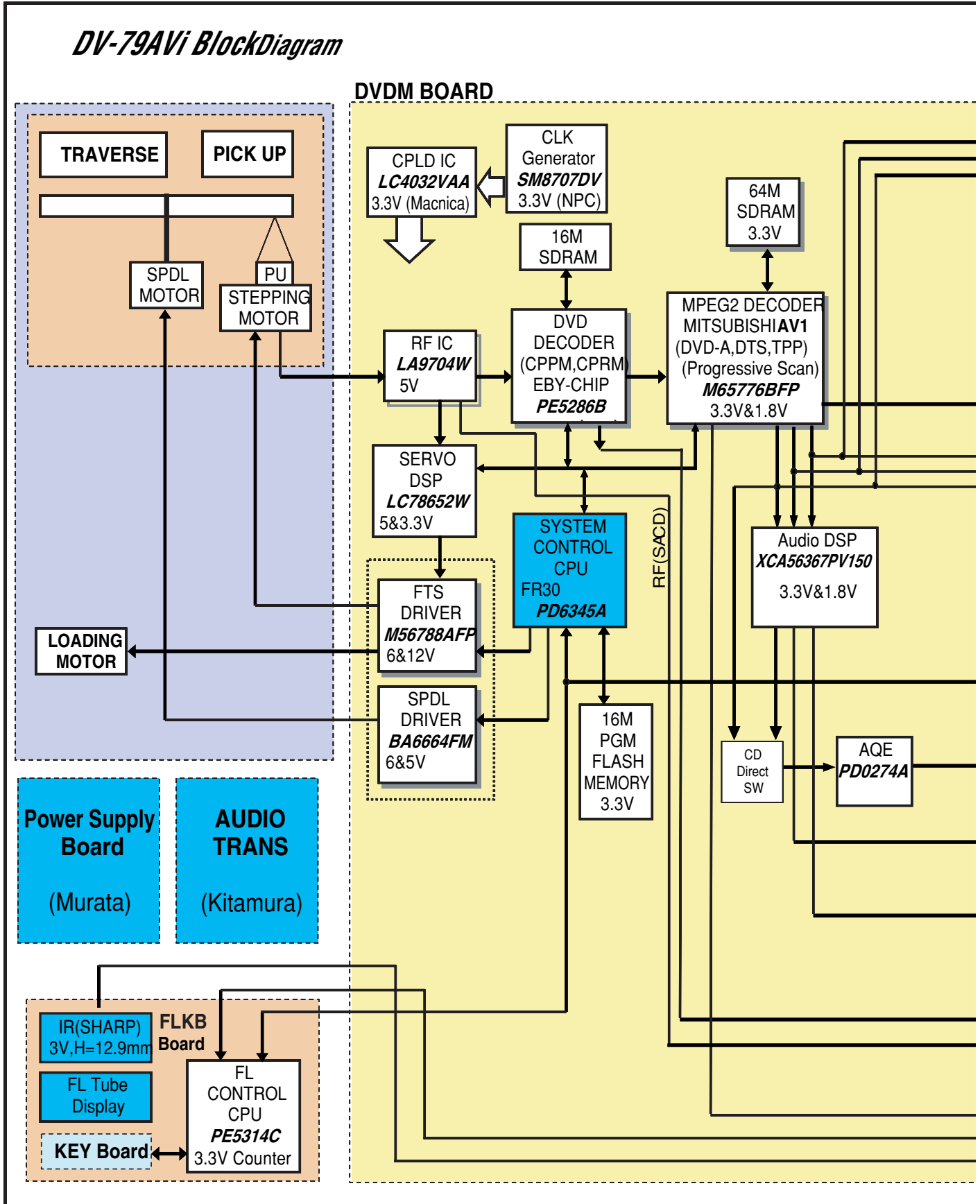
D

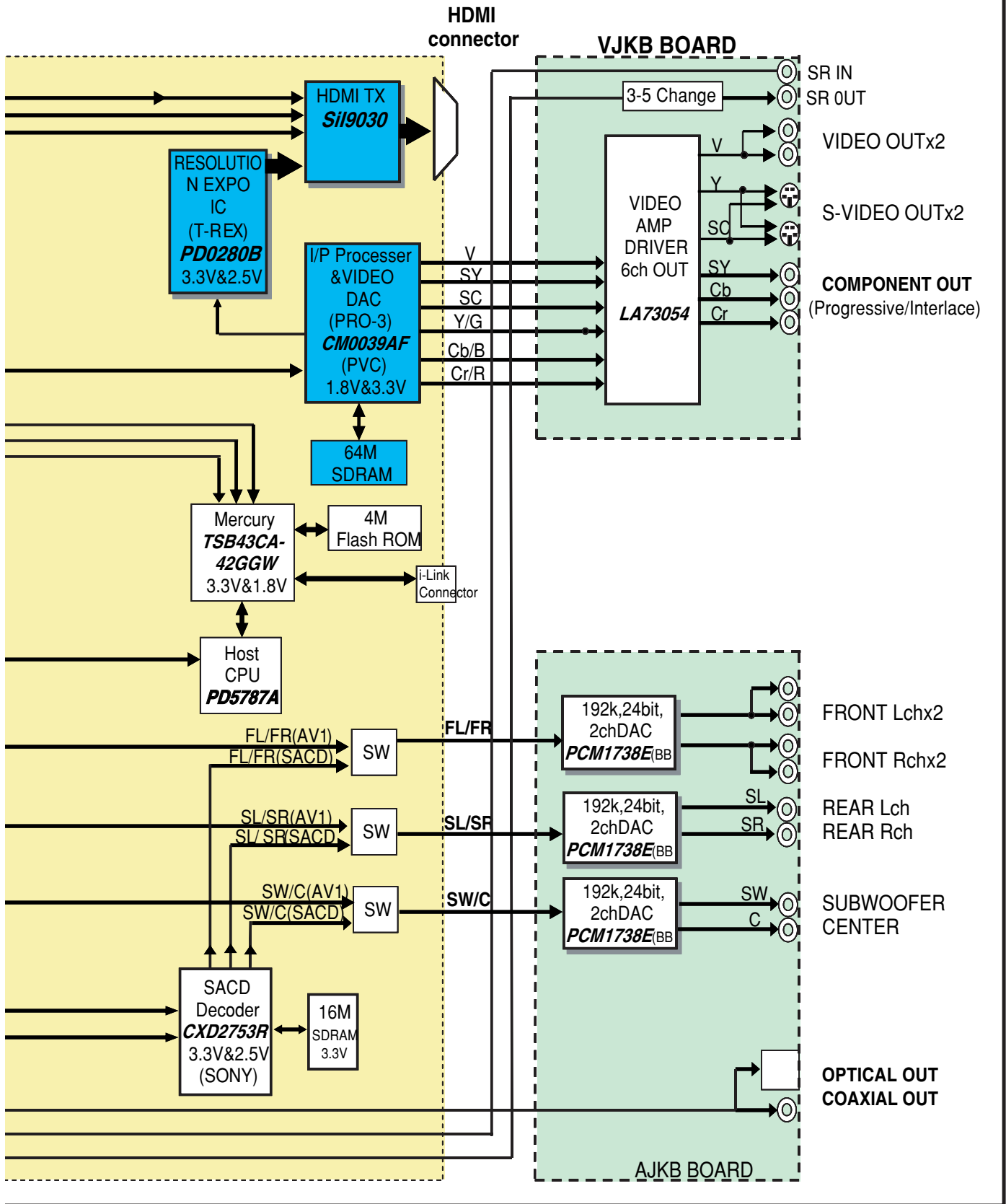
E

F

3. BLOCK DIAGRAM AND SCHEMATIC DIAGRAM

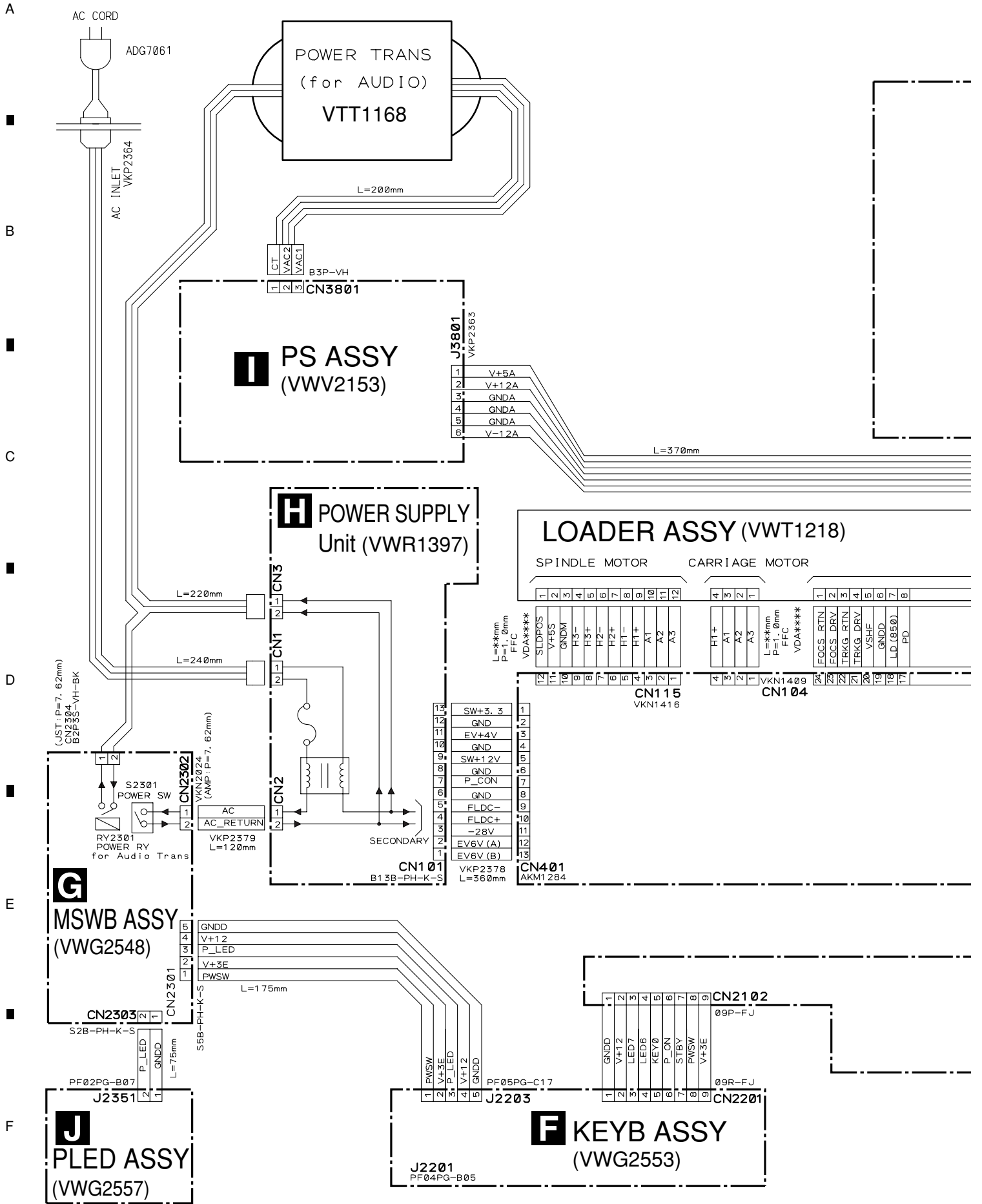
3.1 OVERALL BLOCK DIAGRAM

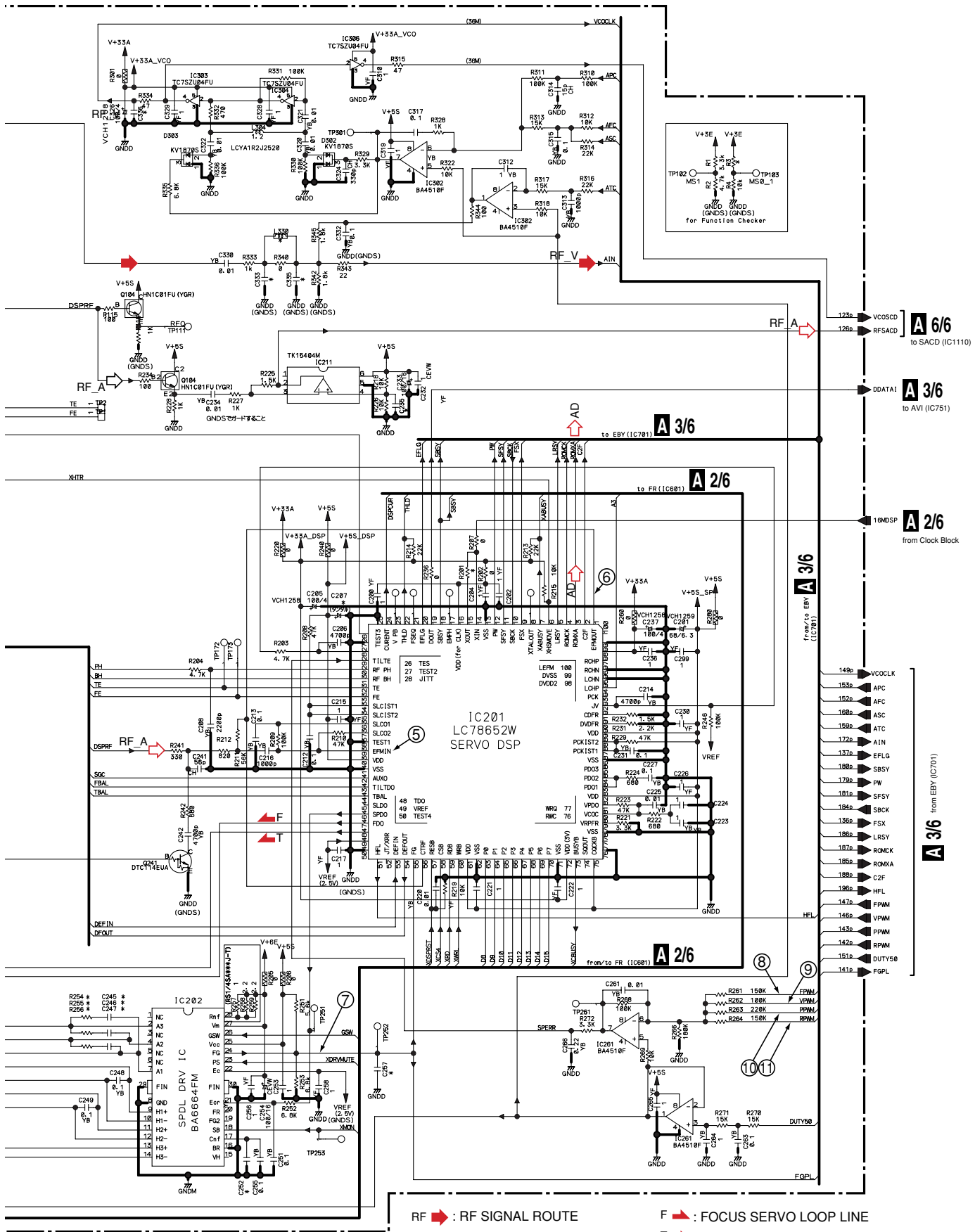




A
B
C
D
E
F

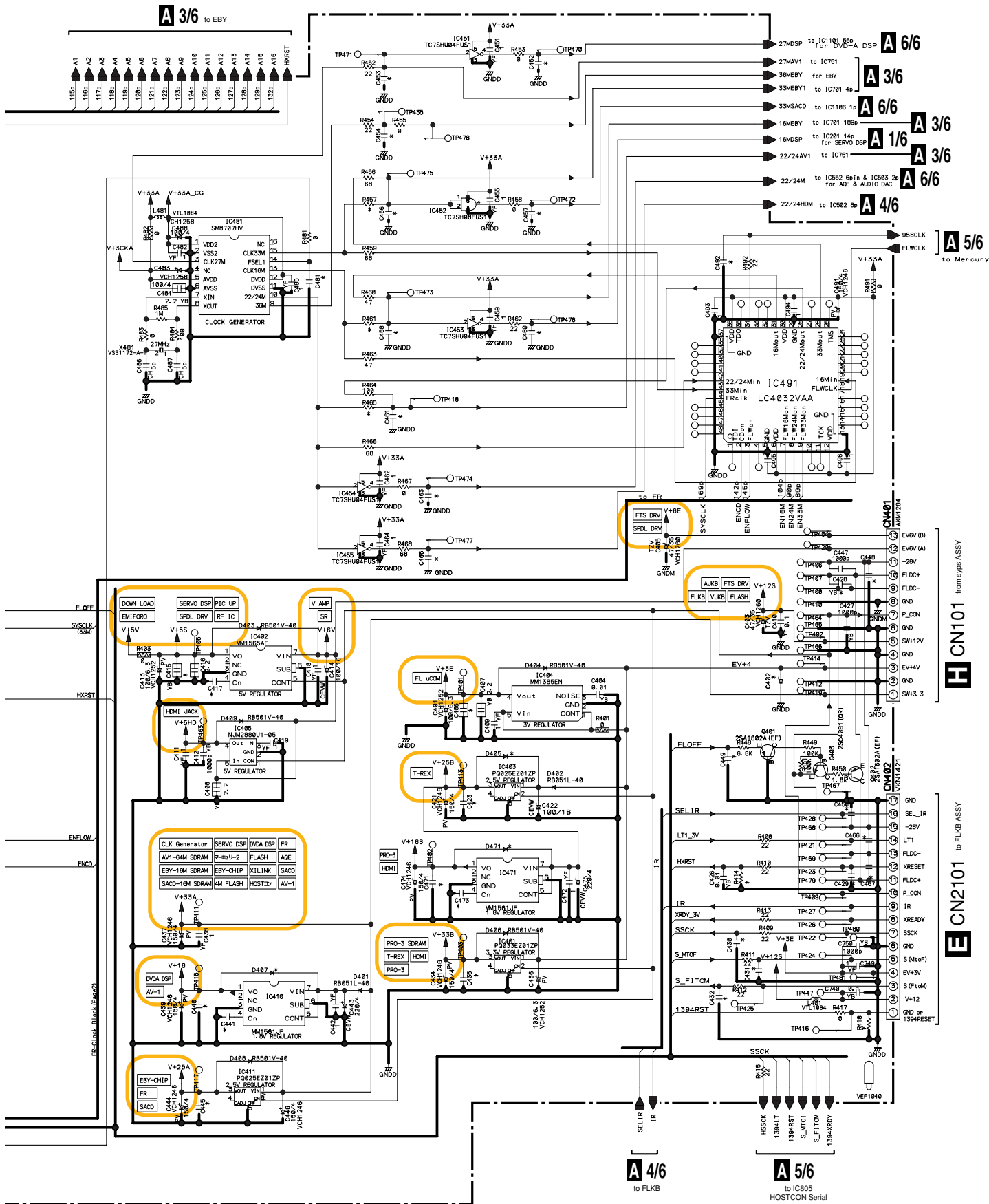
3.2 LOAB ASSY and OVERALL WIRING DIAGRAM





- RF → : RF SIGNAL ROUTE
- RF_V → : RF (VIDEO) SIGNAL ROUTE
- RF_A → : RF (AUDIO) SIGNAL ROUTE
- AD → : AUDIO DATA SIGNAL ROUTE
- F → : FOCUS SERVO LOOP LINE
- T → : TRACKING SERVO LOOP LINE
- S → : STEPPING SERVO LOOP LINE

A 1/6



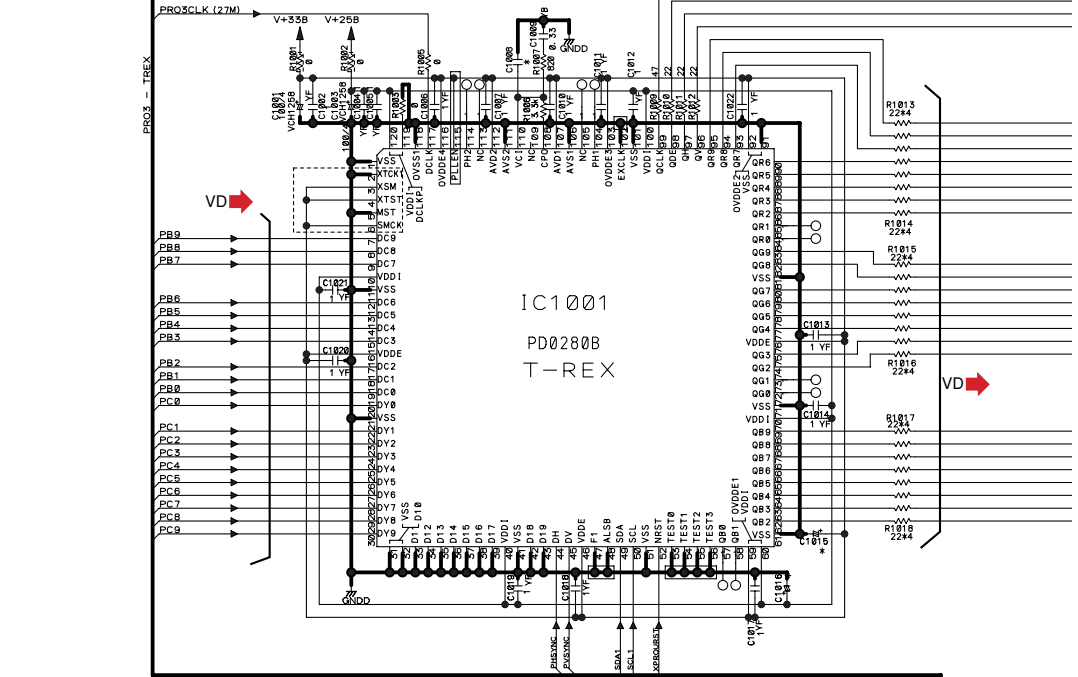
A 2/6 DVDM ASSY (VWS1600)

3.6 DVDM ASSY 4/6 [i.LINK BLOCK]

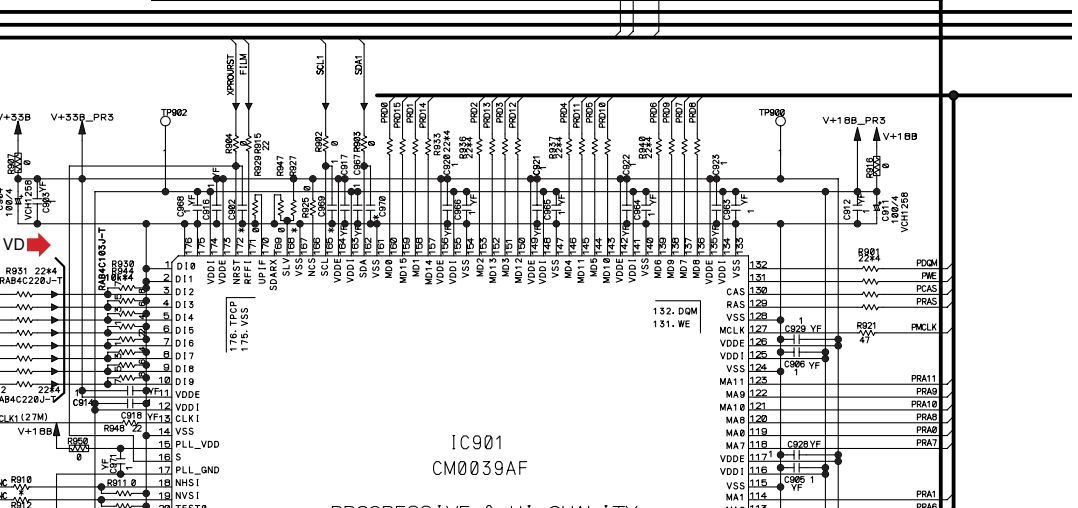
- A VD → : VIDEO DATA SIGNAL ROUTE
- V → : V SIGNAL ROUTE
- S_C → : S-VIDEO OUT C SIGNAL ROUTE
- S_Y → : S-VIDEO OUT Y SIGNAL ROUTE
- Cr/R → : Cr/R SIGNAL ROUTE
- Y/G → : Y/G SIGNAL ROUTE
- Cb/B → : Cb/B SIGNAL ROUTE
- D → : AUDIO (DIGITAL) SIGNAL ROUTE

A 4/6 DVDM ASSY (VWS1600)

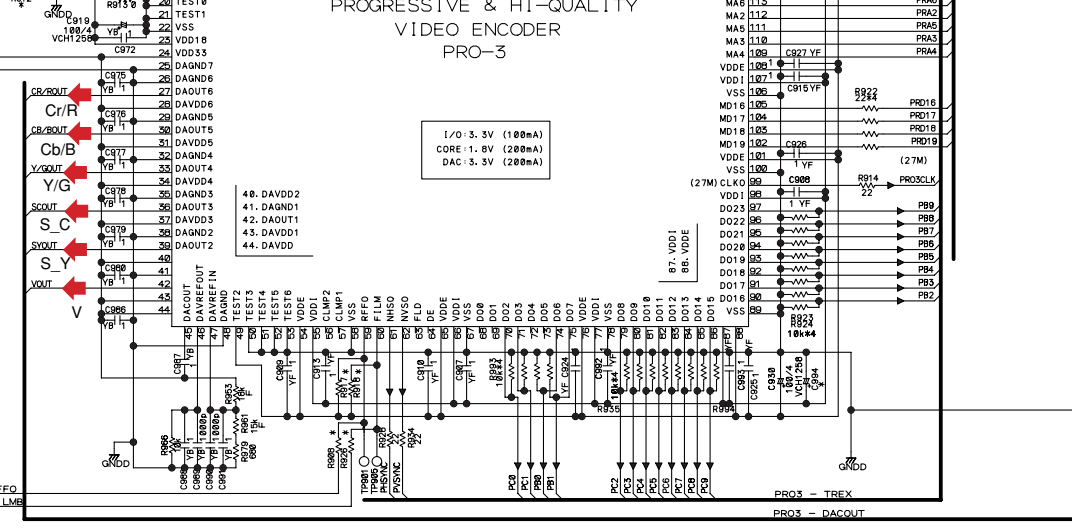
- B RFFO 84p
- FILMB 85p
- HDMI/XDV1 99p
- DDCA 94p
- DDCL 96p
- SDA1 95p
- SCL1 95p
- XPROURST 101p
- FILM 127p
- DDC_ON 146p
- VOFF 182p
- V_SEL1 81p
- V_SEL2 92p
- P/X1 108p



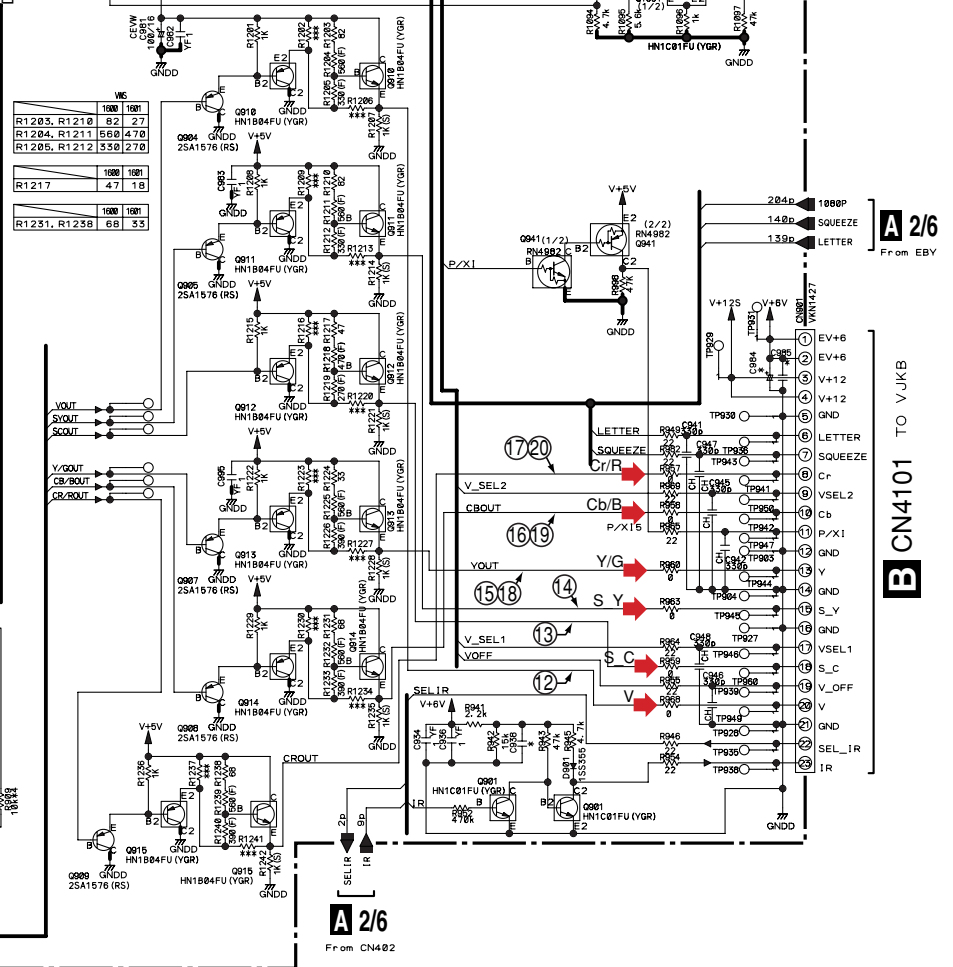
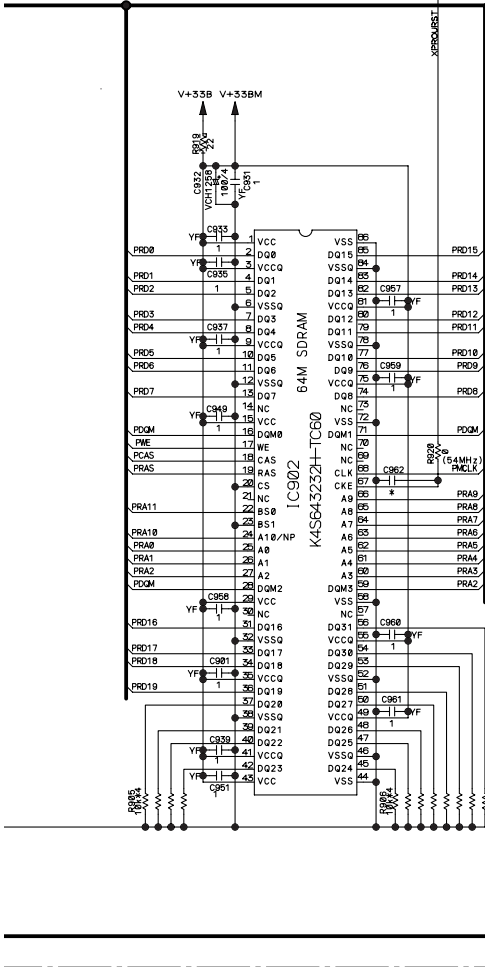
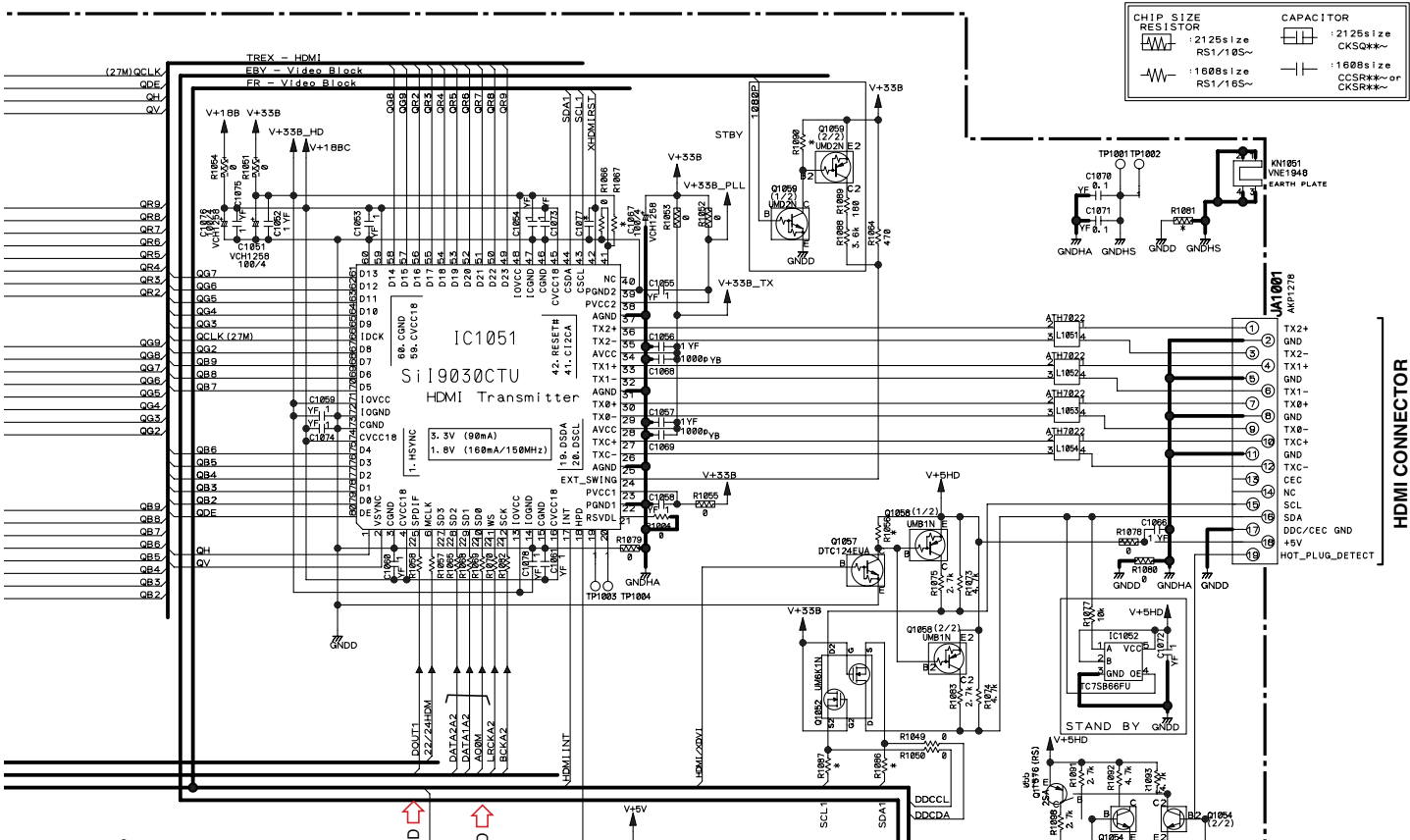
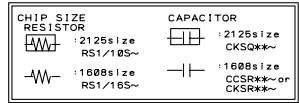
- C BCKA2
- LRCKA2
- A08M
- DATA1A2
- DATA2A2
- DOU1 171p
- PD0 184p
- PD1 185p
- PD2 185p
- PD3 188p
- PD4 189p
- PD5 190p
- PD6 191p
- PD7 192p
- AV1CLK1
- HSYNC 181p
- VSNC 180p



- D CB/OUT
- Cr/R
- Cb/B
- Y/G
- S_C
- S_Y
- V



A 4/6



A
B
C
D
E
F

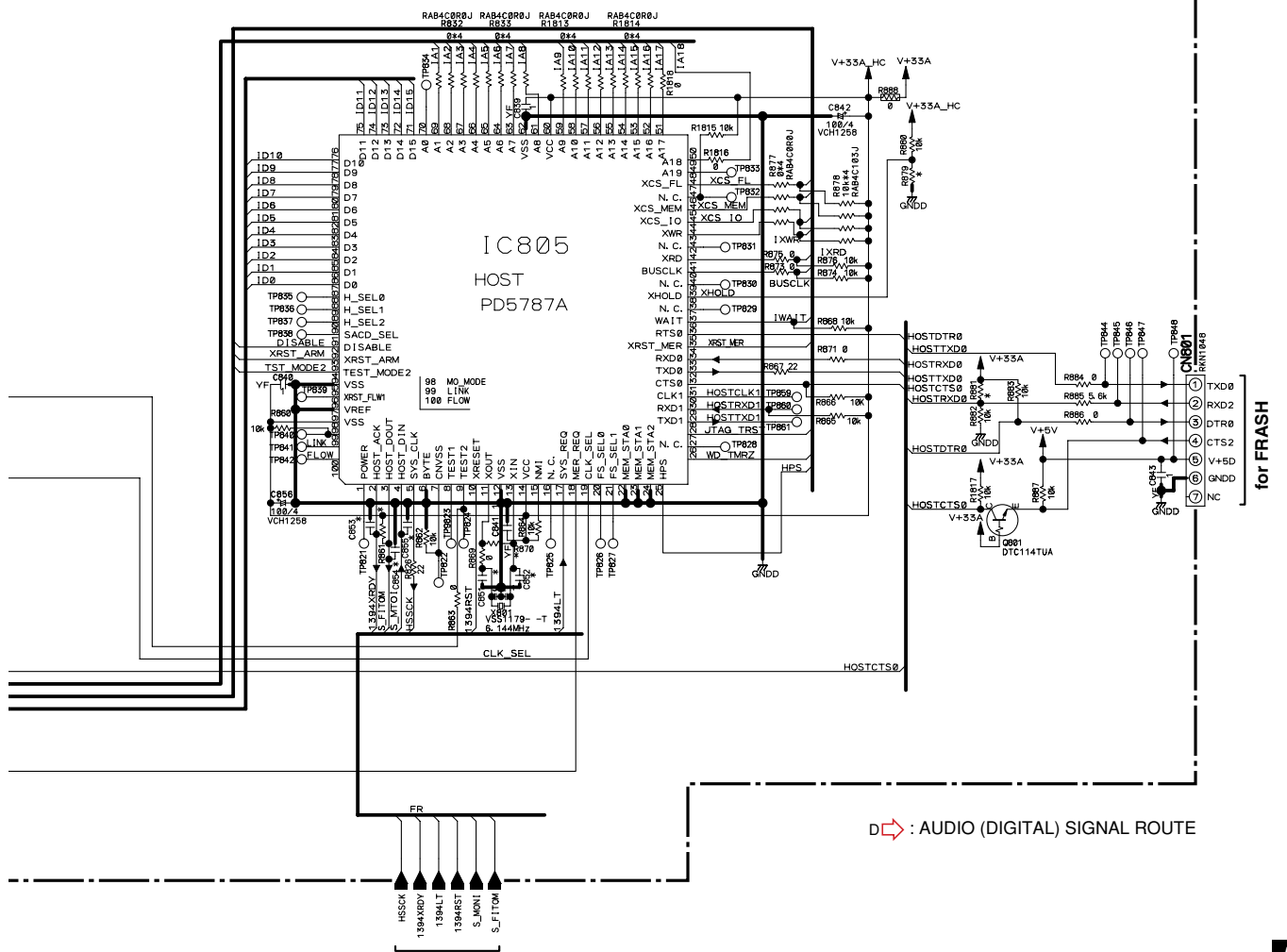
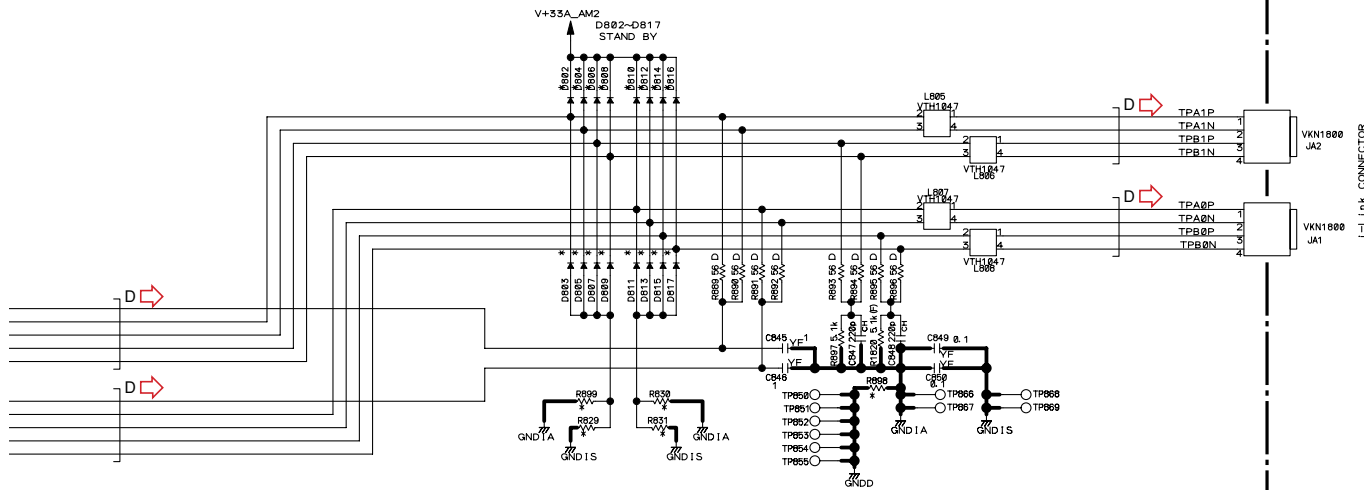
A 2/6
From EBY

B CN4101 TO VJKB

A 2/6
From CN402

A 4/6

All * are stand by.



D → : AUDIO (DIGITAL) SIGNAL ROUTE

A 2/6 from FR Block

DV-79AVi

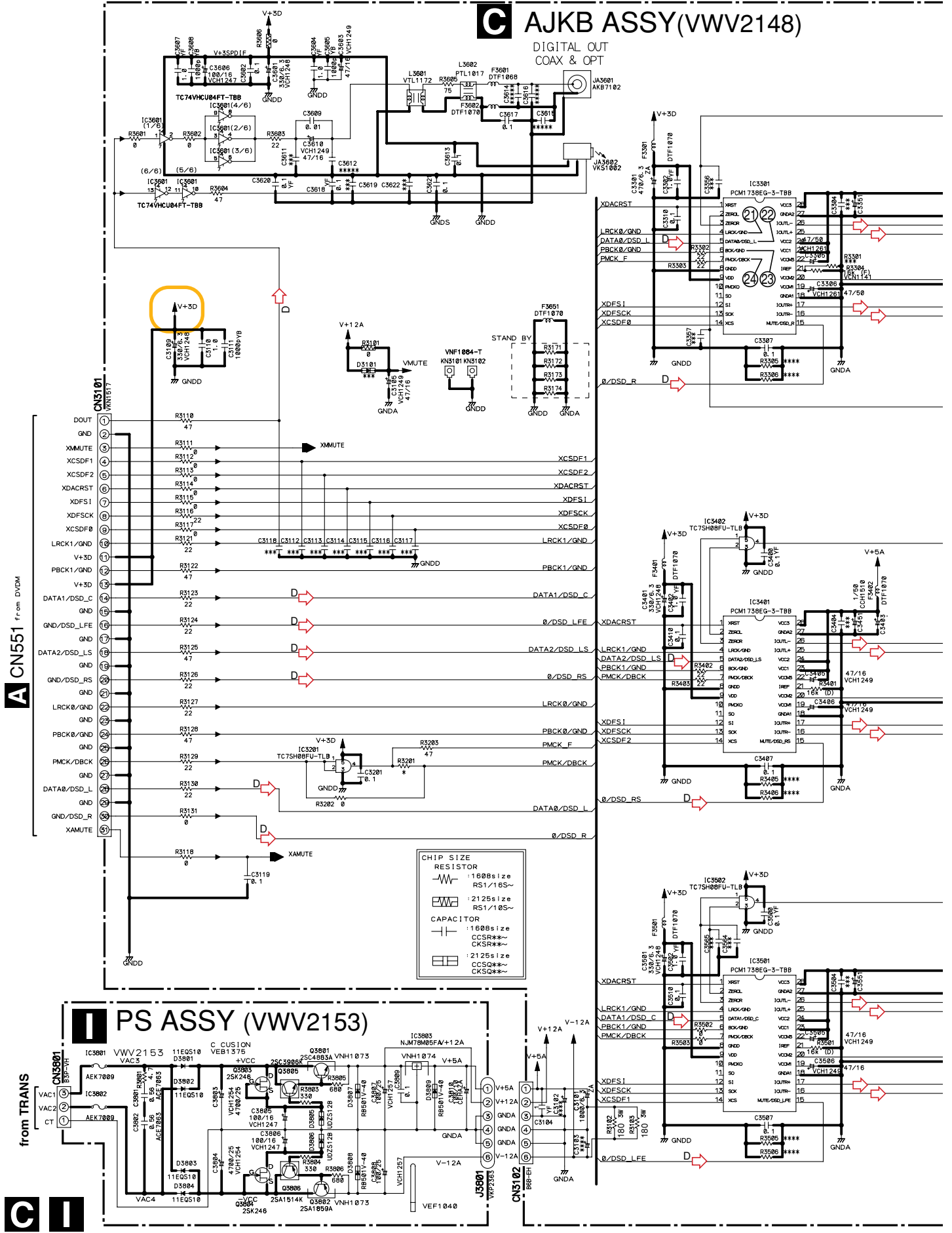
A 5/6

3.9 AJKB ASSY

A
B
C
D
E
F

AJKB ASSY(VWV2148)

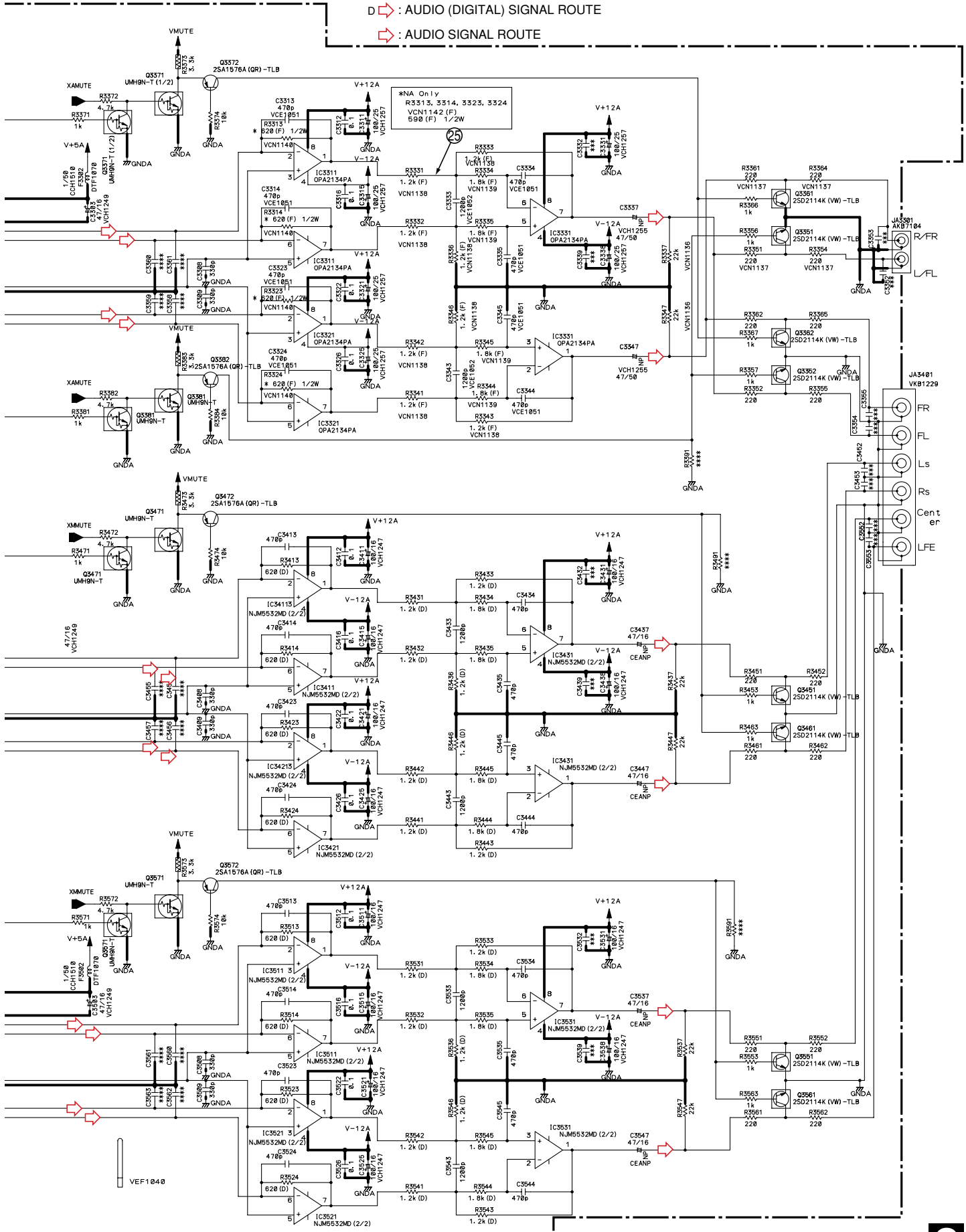
DIGITAL OUT
COAX & OPT



A CN551 from DVM

32

D → : AUDIO (DIGITAL) SIGNAL ROUTE
 → : AUDIO SIGNAL ROUTE



A
B
C
D
E
F



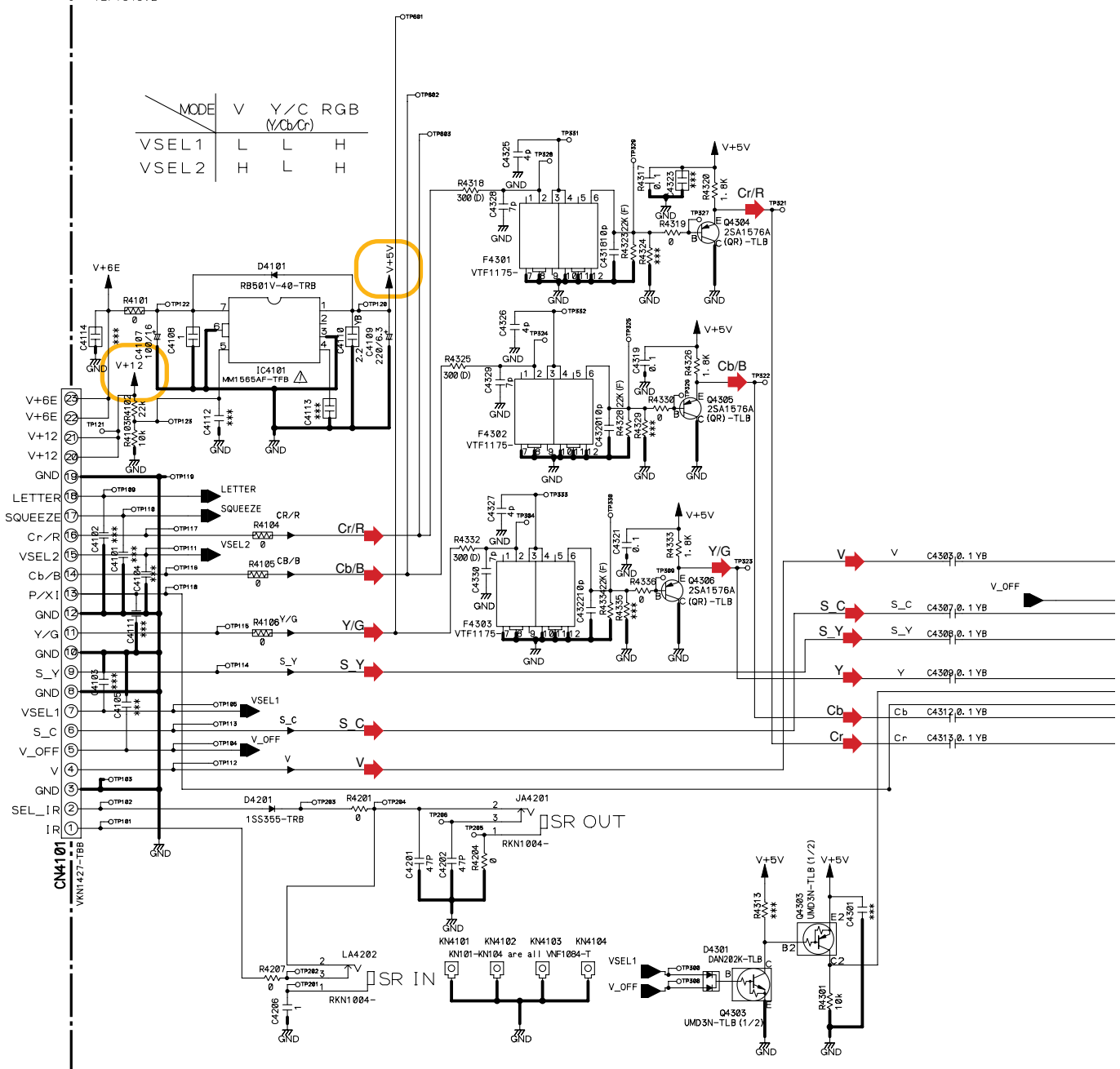
3.10 VJKB ASSY

B VJKB ASSY (VWV2151)

VEF1040*2

MODE	V	Y/C	RGB
VSEL1	L	L	H
VSEL2	H	L	H

A CN901 fr om DVDI



UNIT No.
VW2151- /J DV- 989AVi-G/HLXJ
DV-79AVi/KUXJ/CA

PCB No.
VNP2024

CHIP SIZE	
RESISTOR	
	: 2125s size
	: 1608s size
CAPACITOR	
	: 2125s size
	: 1608s size

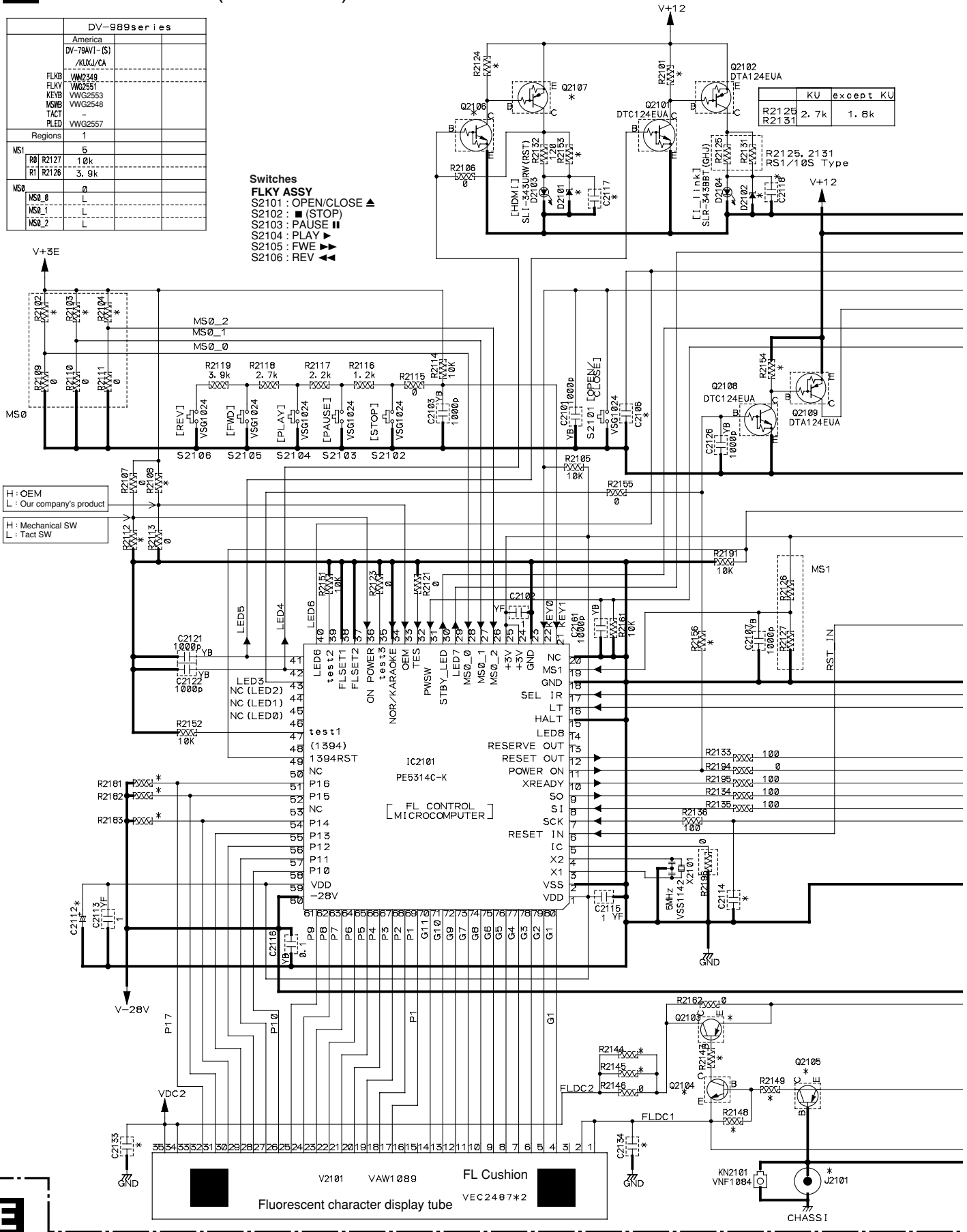
- : V SIGNAL ROUTE
- S_C : S-VIDEO OUT C SIGNAL ROUTE
- S_Y : S-VIDEO OUT Y SIGNAL ROUTE
- Cr/R : Cr/R SIGNAL ROUTE
- Y/G : Y/G SIGNAL ROUTE
- Cb/B : Cb/B SIGNAL ROUTE
- : AUDIO SIGNAL ROUTE

3.11 FLKY, KEYB and MSWB ASSYS

FLKY ASSY (VWG2551)

DV-989series	
America	
FLKB	VM2348
FLKY	VWG2551
KEYB	VWG2553
MSWB	VWG2548
TACT	-
PLED	VWG2557
Regions 1	
MS1	5
R0	R2127 10k
R1	R2126 3.9k
MS0	0
MS0_0	0
MS0_1	0
MS0_2	0

- Switches**
- S2101 : OPEN/CLOSE ▲
 - S2102 : ■ (STOP)
 - S2103 : PAUSE ▨
 - S2104 : PLAY ▼
 - S2105 : FWE ►►
 - S2106 : REV ◄◄

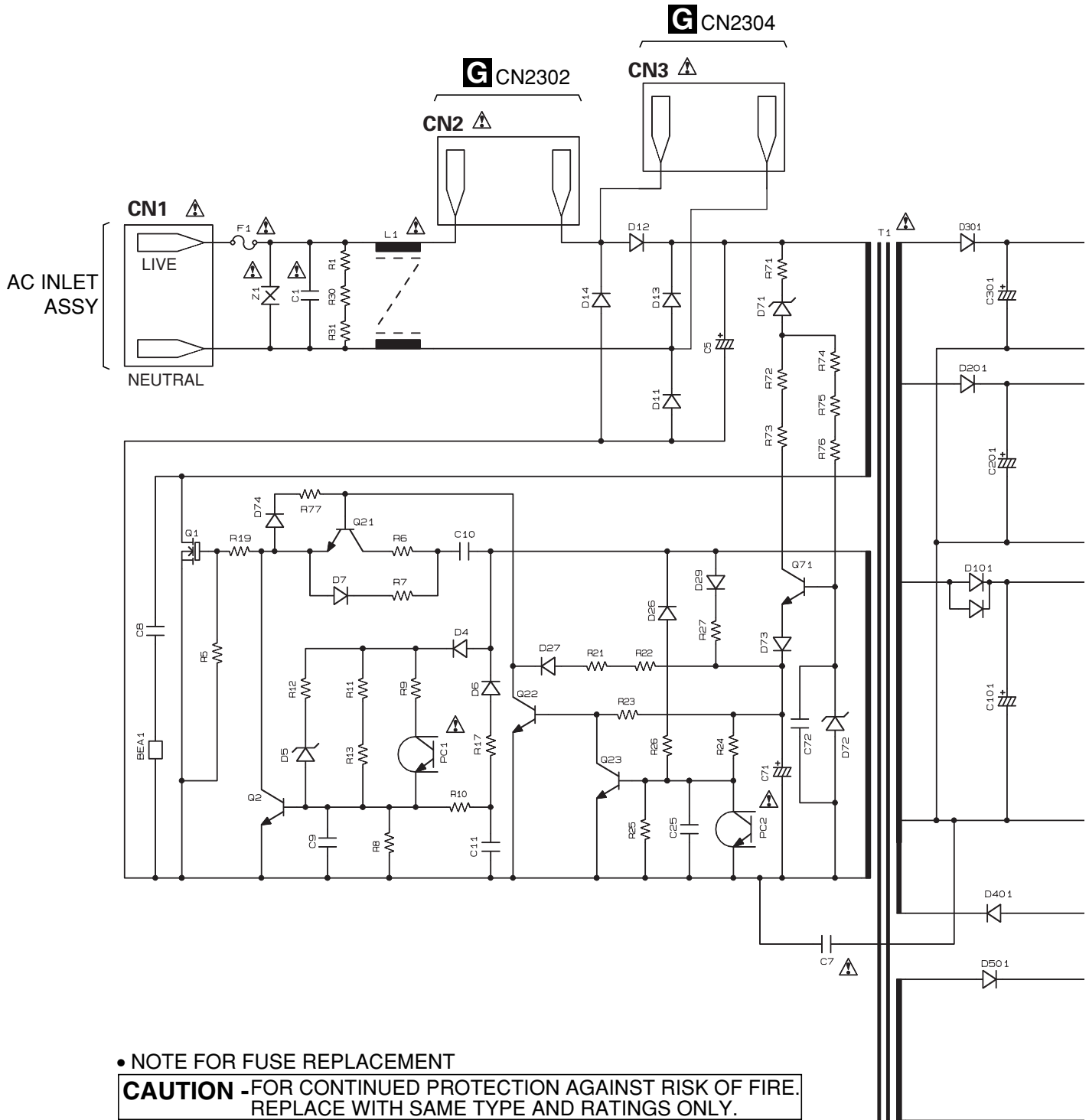


3.12 POWER SUPPLY UNIT

H POWER SUPPLY UNIT (VWR1397)

《 NOTE OF SPARE PARTS IN POWER SUPPLY (SYPS) UNIT 》

- In case of repairing, use the described parts only to prevent an accident.
- Please write the red ✓ mark on the board when the primary section of POWER SUPPLY (SYPS) Unit is repaired.
- Please take care to keep the space, not touching other parts when replacing the parts.



• NOTE FOR FUSE REPLACEMENT

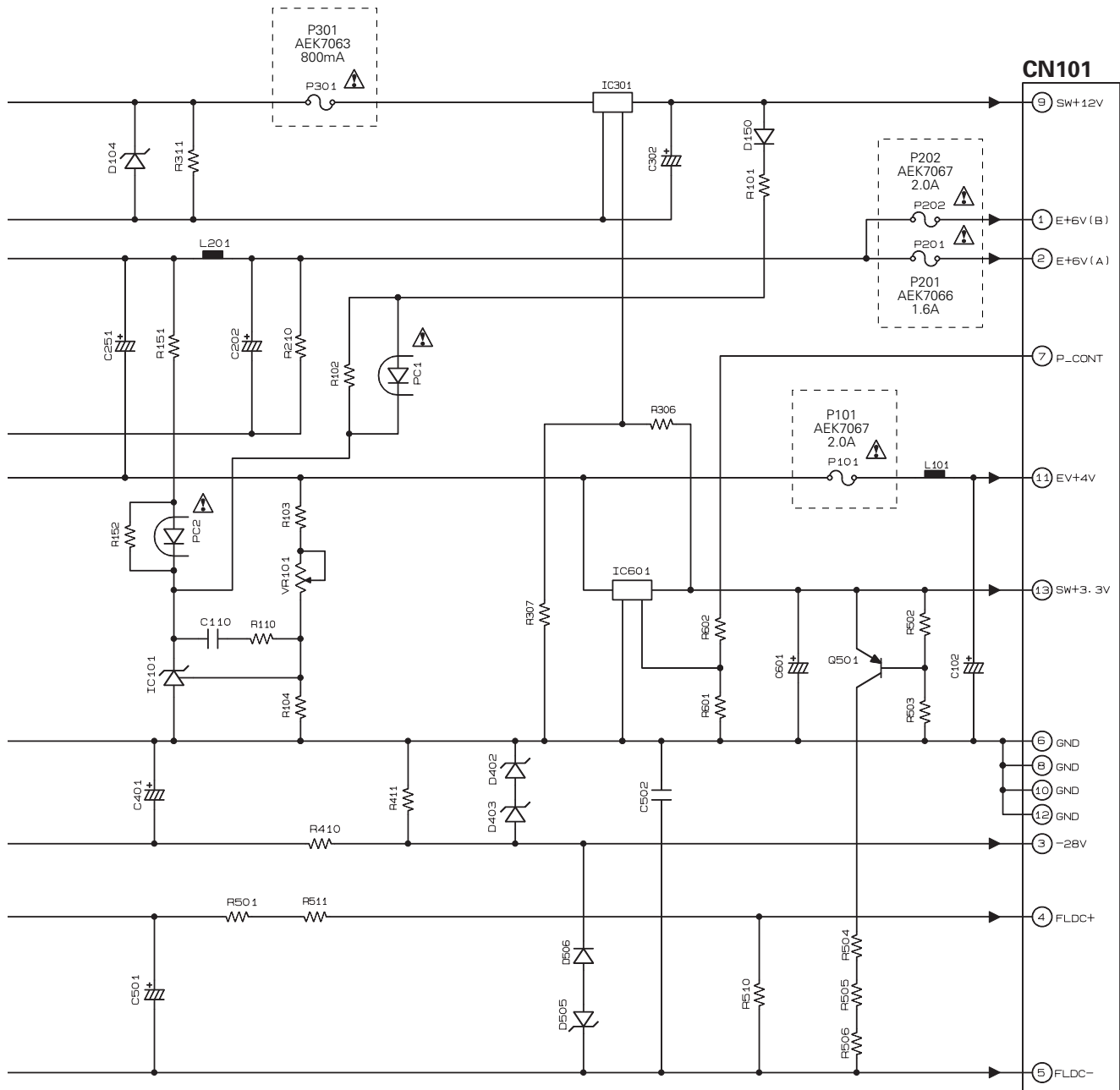
CAUTION -FOR CONTINUED PROTECTION AGAINST RISK OF FIRE. REPLACE WITH SAME TYPE AND RATINGS ONLY.



CAUTION : FOR CONTINUED PROTECTION AGAINST RISK OF FIRE, REPLACE ONLY WITH SAME TYPE NO. 491.800 MFD, BY LITTELFUSE INC. FOR P301 (AEK7063).

CAUTION : FOR CONTINUED PROTECTION AGAINST RISK OF FIRE, REPLACE ONLY WITH SAME TYPE NO. 49101.6 MFD, BY LITTELFUSE INC. FOR P201 (AEK7066).

CAUTION : FOR CONTINUED PROTECTION AGAINST RISK OF FIRE, REPLACE ONLY WITH SAME TYPE NO. 49101.6 MFD, BY LITTELFUSE INC. FOR P101 and P202 (AEK7067).



A/2/6 CN401



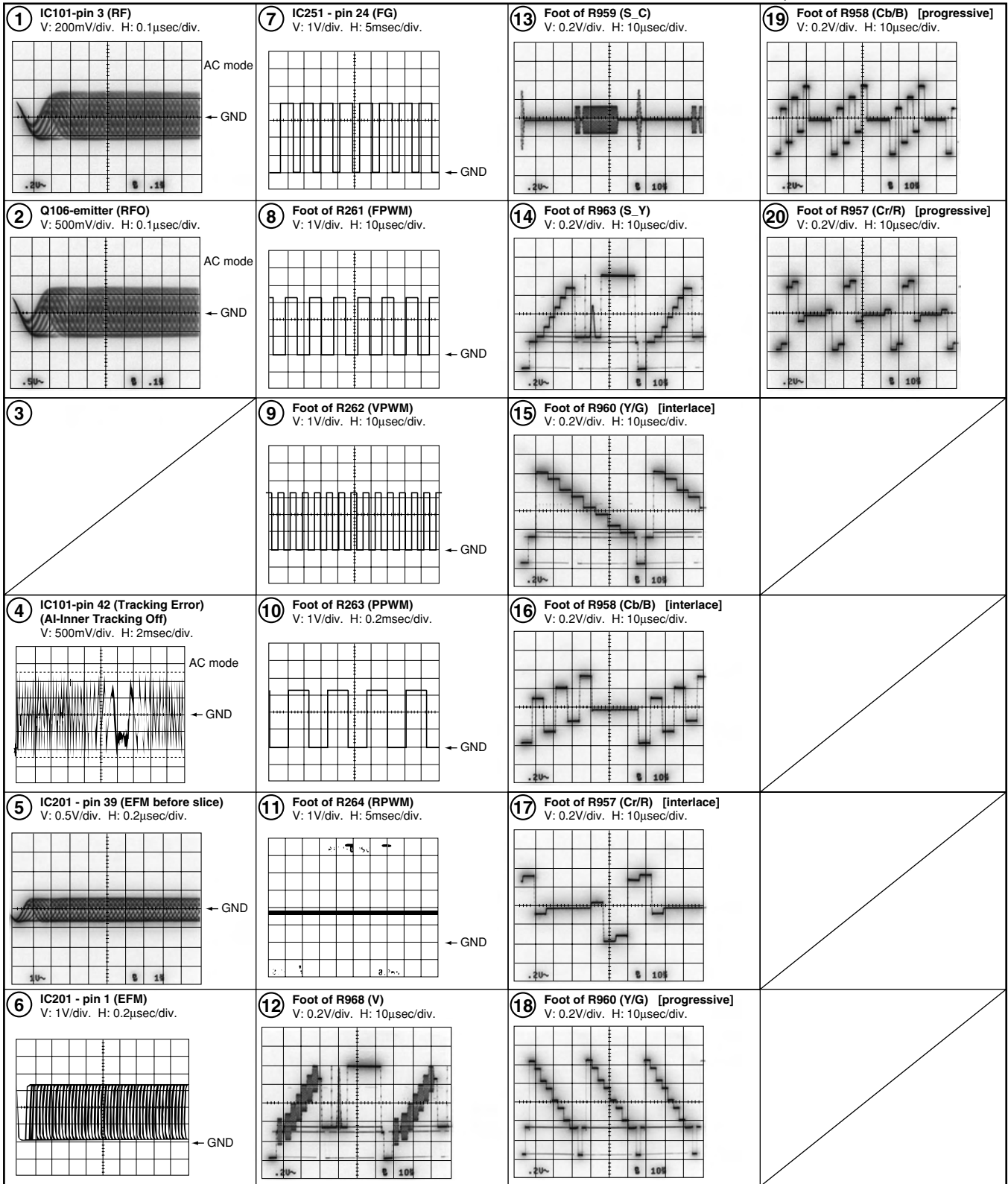
3.13 WAVEFORMS

Note : The encircled numbers denote measuring point in the schematic diagram.

A DVDM ASSY

Measurement condition : No. 1 to 4 and 6 to 11 : MJK1, Title 1-chp 1
No. 5 : CD, ABEX-784 Track 1

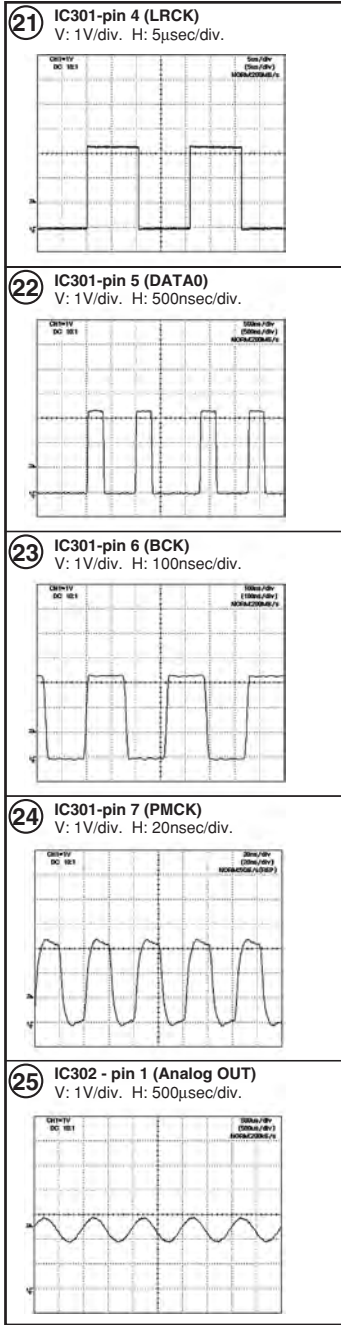
No. 12 to 14 : DVD-REF-A1, T2-Chap.1
No. 15 to 20 : DVD-REF-A1, T2-Chap.19



Note : The encircled numbers denote measuring point in the schematic diagram.

C AJKB ASSY

Measurement condition : No. 21 to 25 : DVD-REF-A1, T2-Chap.1



A
B
C
D
E
F

1

2

3

4

A

B

C

D

E

F

1

2

3

4

4. PCB CONNECTION DIAGRAM

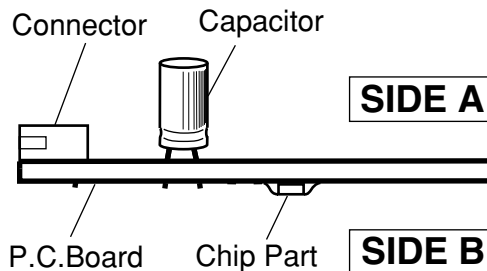
4.1 LOAB ASSY

NOTE FOR PCB DIAGRAMS :

1. Part numbers in PCB diagrams match those in the schematic diagrams.
2. A comparison between the main parts of PCB and schematic diagrams is shown below.

Symbol In PCB Diagrams	Symbol In Schematic Diagrams	Part Name
		Transistor
		Transistor with resistor
		Field effect transistor
		Resistor array
		3-terminal regulator

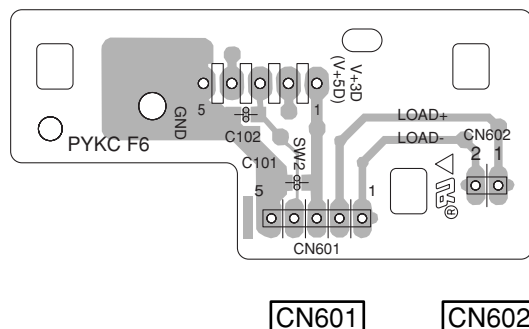
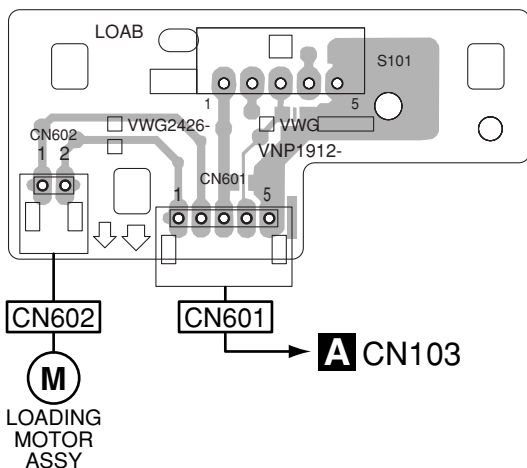
3. The parts mounted on this PCB include all necessary parts for several destinations.
For further information for respective destinations, be sure to check with the schematic diagram.
4. View point of PCB diagrams.

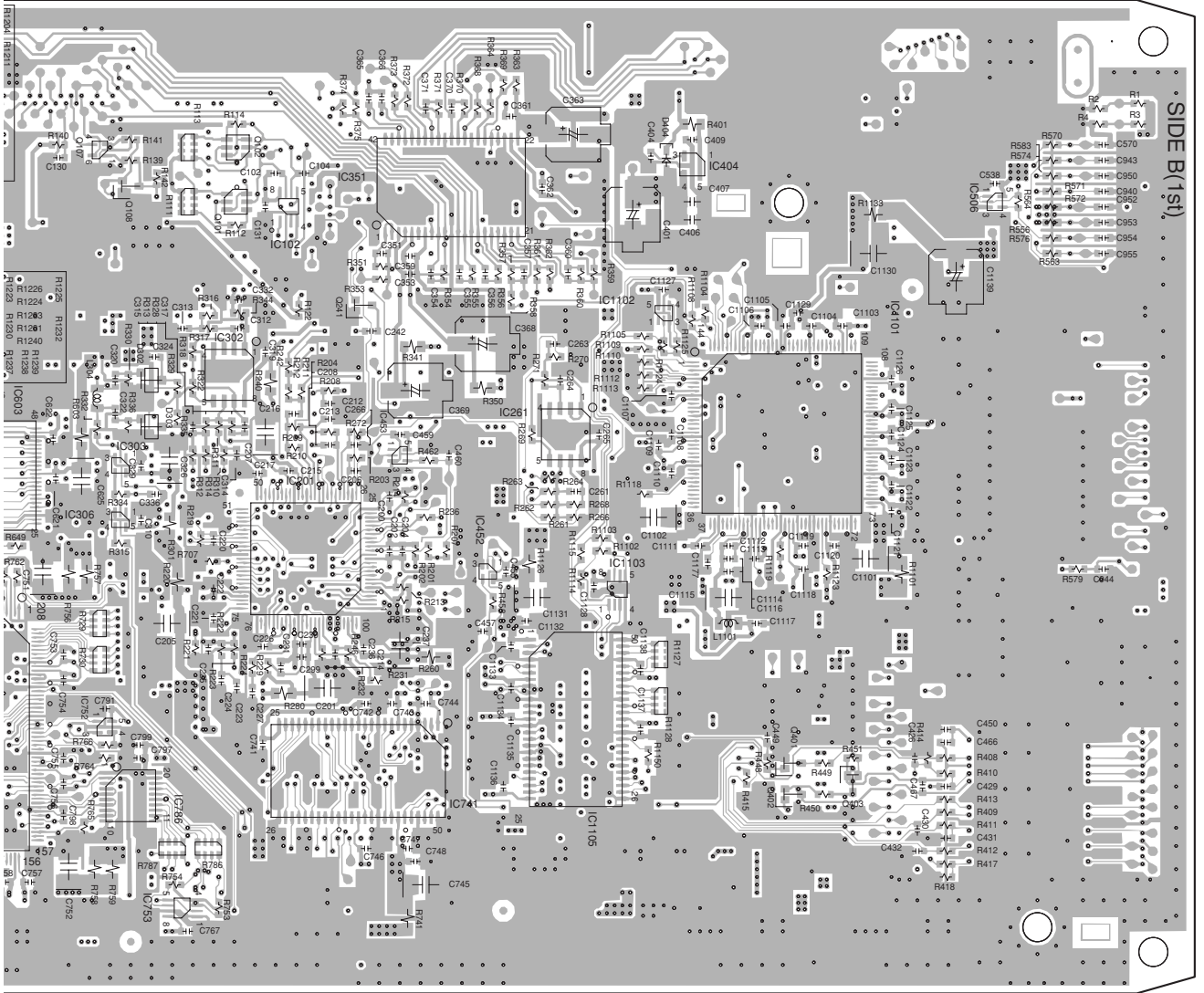


SIDE A

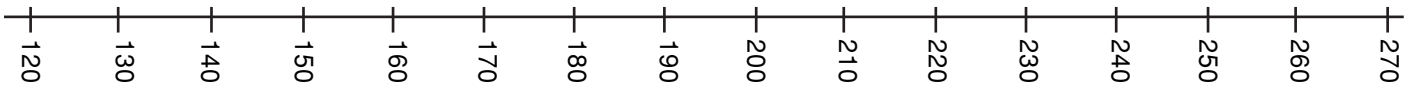
SIDE B

K LOAB ASSY (VNP1912-A)





(VNP2023-A)



4.3 AJKB ASSY

SIDE A

SIDE A

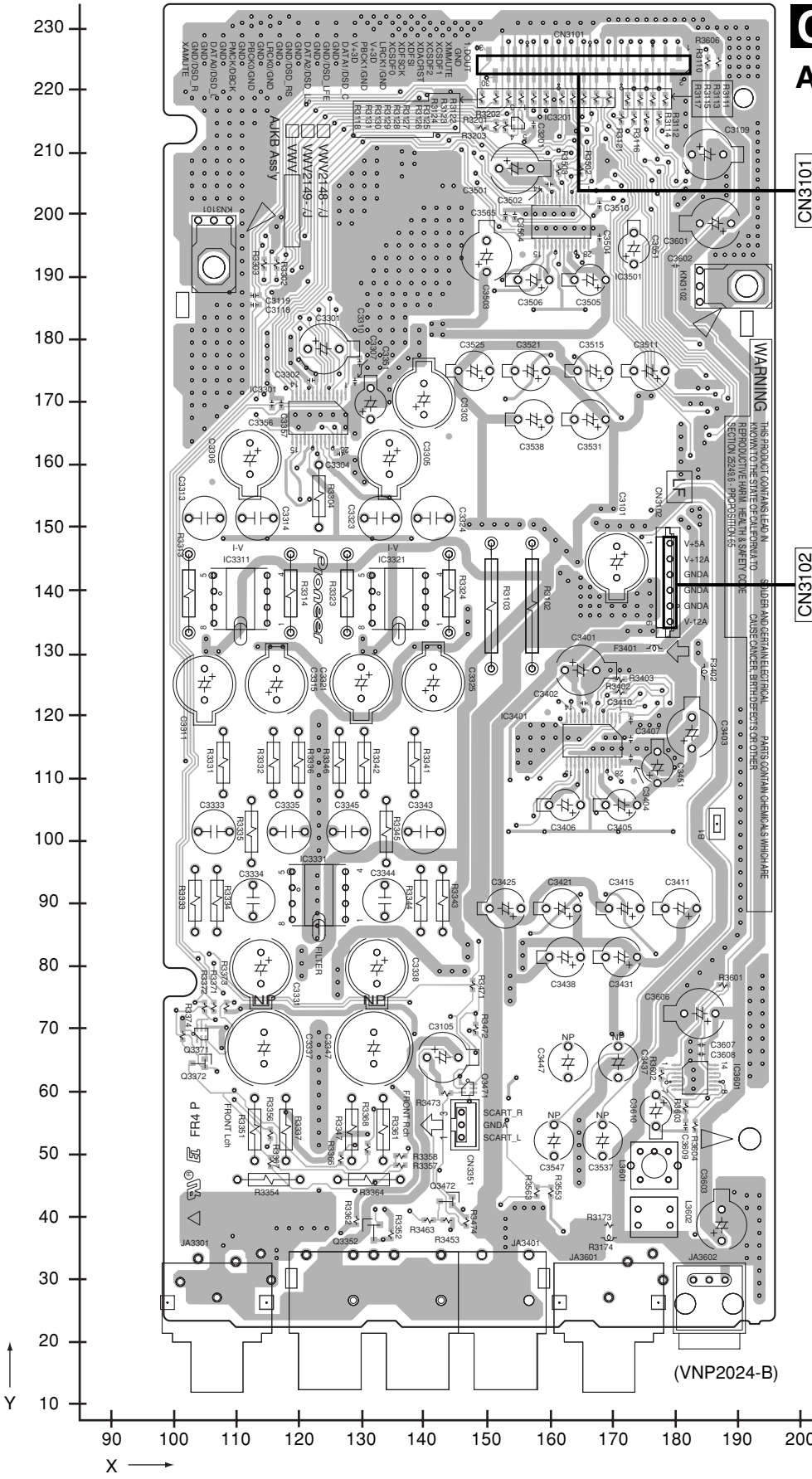


AJKB ASSY

CN3101
A CN551

CN3102
I J3801

WARNING: THIS PRODUCT CONTAINS LEAD IN SOLDER AND CERTAIN ELECTRICAL PARTS CONTAIN CHEMICALS WHICH ARE KNOWN TO THE STATE OF CALIFORNIA TO BE REPRODUCTIVE HAZARDOUS AND CAN CAUSE CANCER, BIRTH DEFECTS OR OTHER SERIOUS PHYSICAL HAZARDS.



(VNP2024-B)

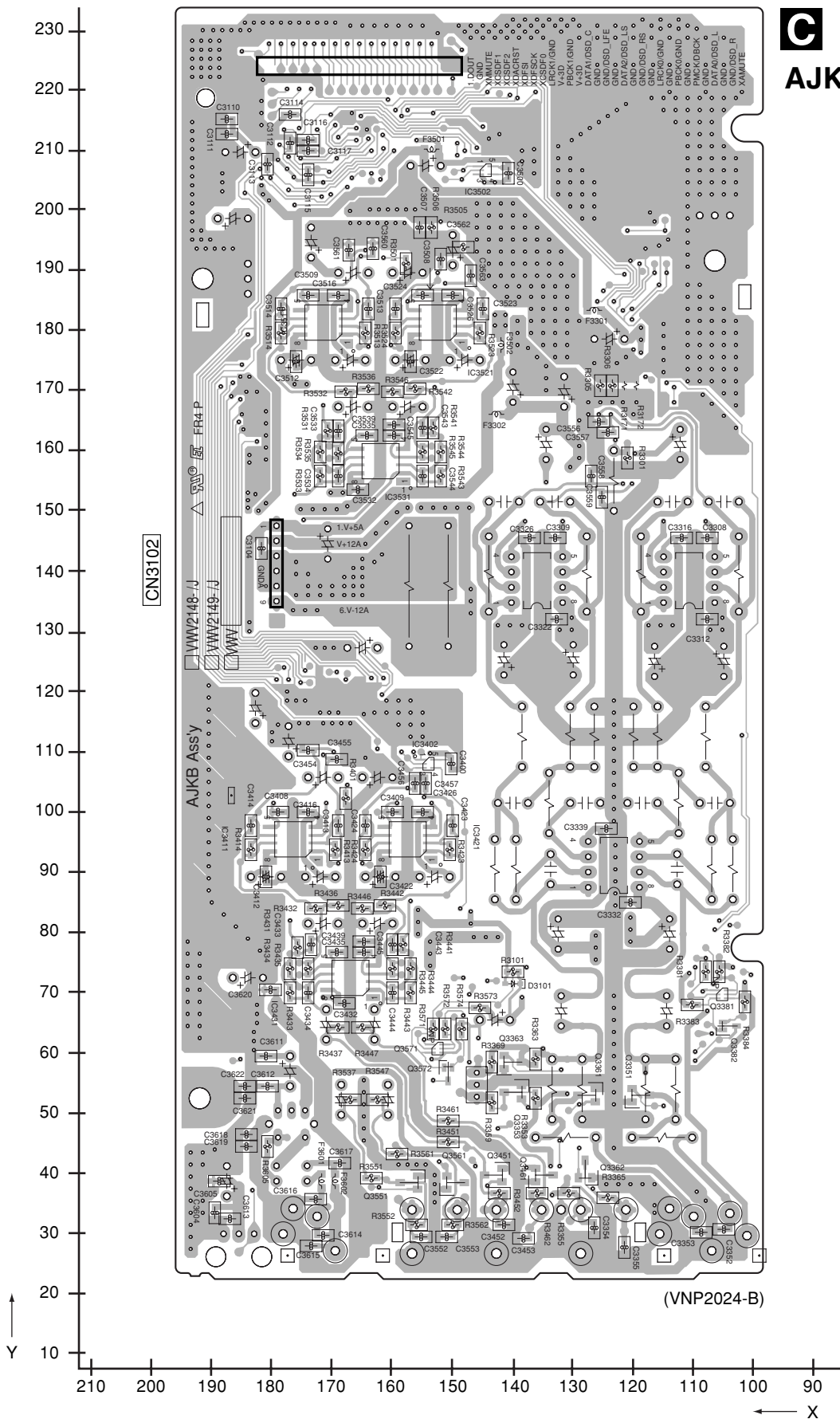


DV-79AVi

SIDE B

SIDE B

C
AJKB ASSY



C

C

SIDE B

A

B

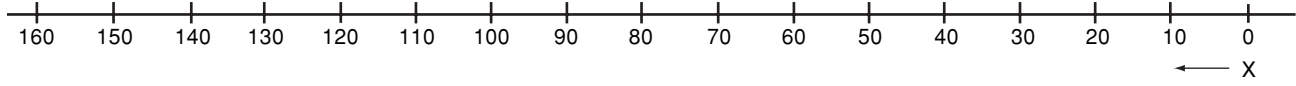
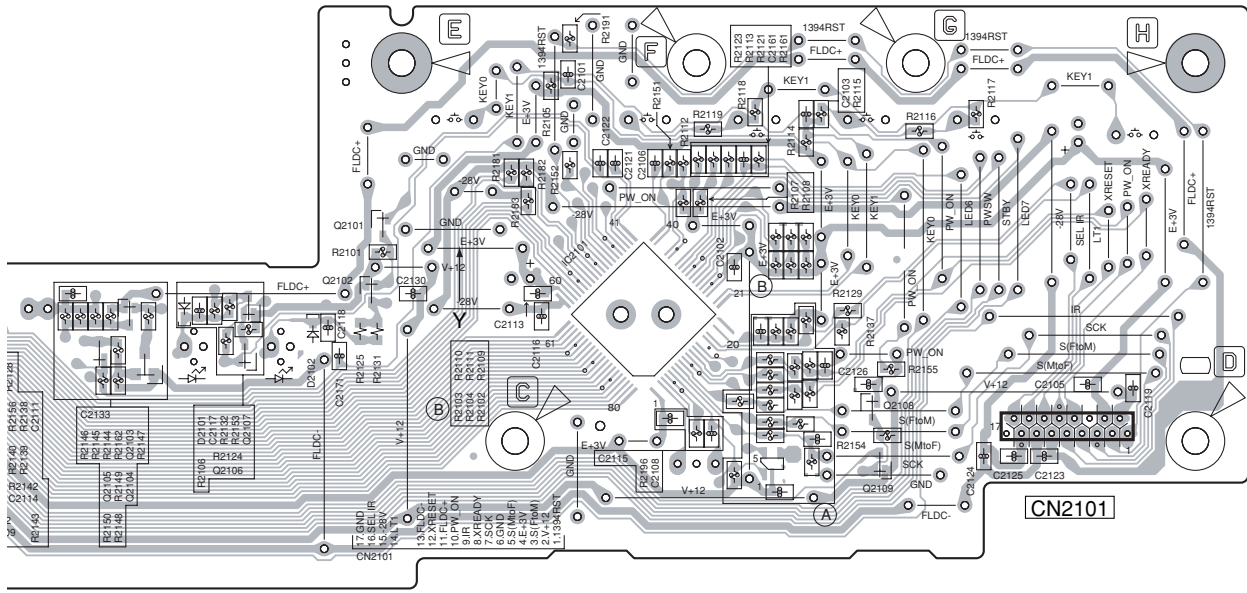
C

D

E

F

FLKY ASSY

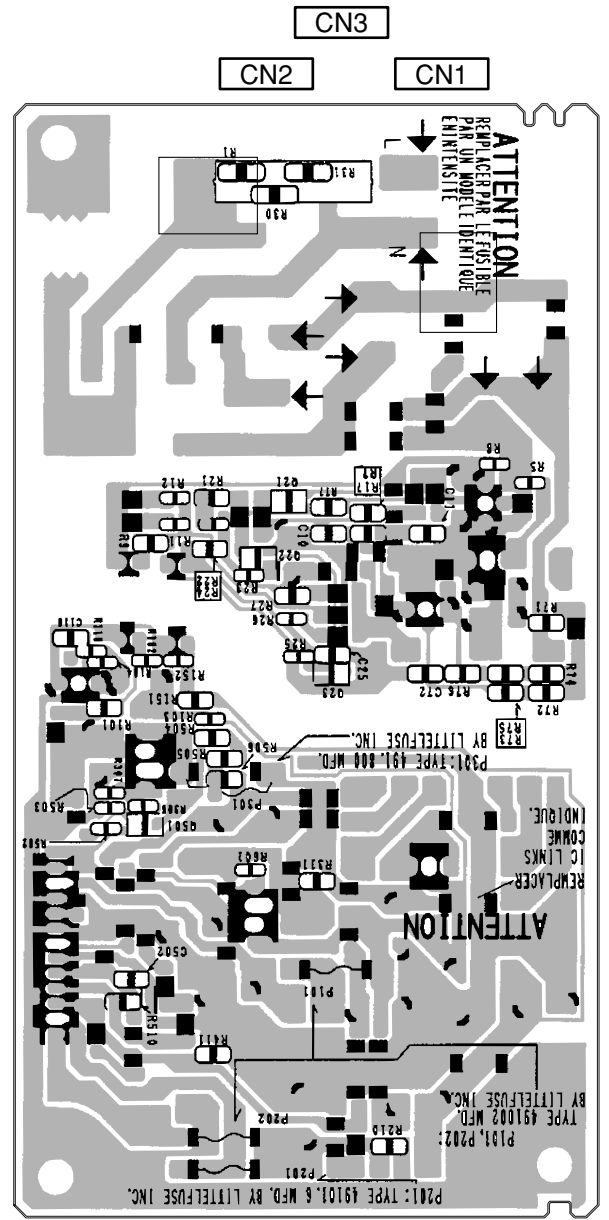
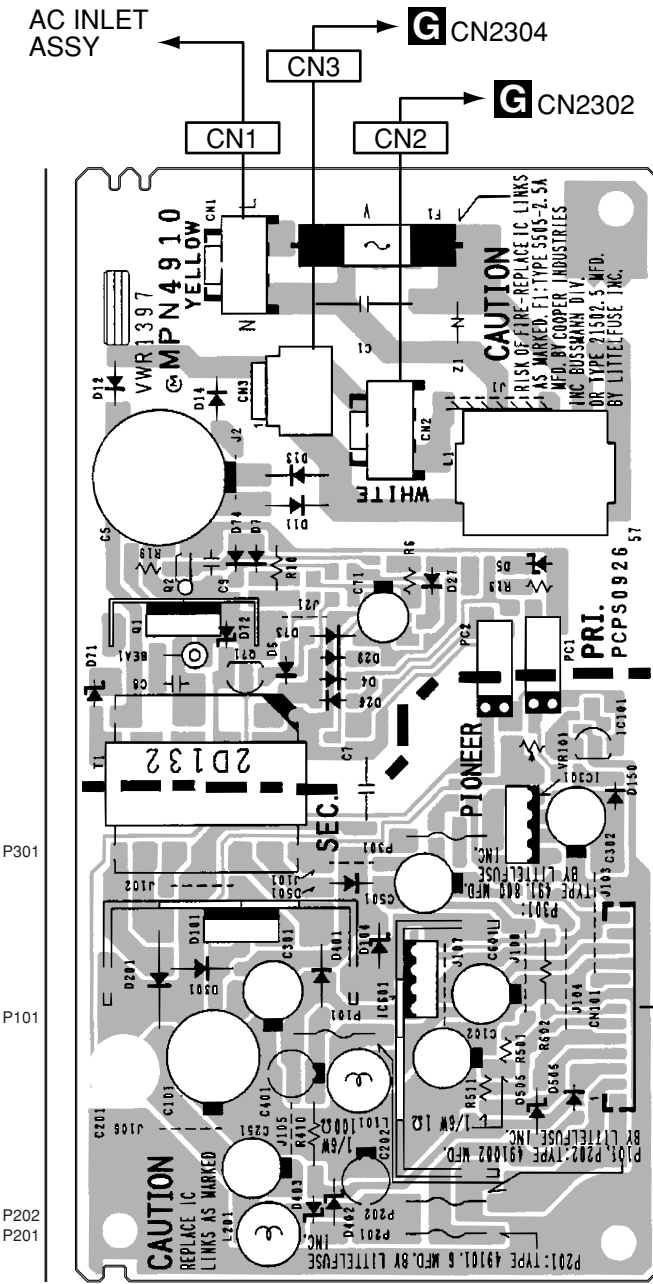


4.7 POWER SUPPLY UNIT

SIDE A

SIDE B

POWER SUPPLY UNIT [VWR1397]



5. PCB PARTS LIST

NOTES: ● Parts marked by "NSP" are generally unavailable because they are not in our Master Spare Parts List.

● The Δ mark found on some component parts indicates the importance of the safety factor of the part. Therefore, when replacing, be sure to use parts of identical designation.

● When ordering resistors, first convert resistance values into code form as shown in the following examples.

Ex.1 When there are 2 effective digits (any digit apart from 0), such as 560 ohm and 47k ohm (tolerance is shown by J=5%, and K=10%).

560 Ω \rightarrow 56 x 10¹ \rightarrow 561 RD1/4PU 5 6 7 J

47k Ω \rightarrow 47 x 10³ \rightarrow 473 RD1/4PU 4 7 3 J

0.5 Ω \rightarrow R50 RN2H R 5 0 K

1 Ω \rightarrow 1R0 RS1P 7 R 0 K

Ex.2 When there are 3 effective digits (such as in high precision metal film resistors).

5.62k Ω \rightarrow 562 x 10¹ \rightarrow 5621 RN1/4PC 5 6 2 1 F

● Meaning of the figures and others in the parentheses in the parts list.

Example) IC 301 is on the point (face A, 91 of x-axis, and 111 of y-axis) of the corresponding PC board.

IC 301 (A, 91, 111) IC NJM2068V

Mark No.	Description	Part No.	Mark No.	Description	Part No.
LIST OF ASSEMBLIES			IC 455 (A,33 ,113) LOGIC IC		TC7SHU04FUS1
	1..DVD M ASSY	VWS1600	Δ IC 471 (A,93 ,132) REGULATOR IC		MM1561JF
NSP	1..AVKB ASSY	VWM2352	IC 481 (A,25 ,106) CLOCK GENERATE IC		SM8707HV
	2..AJKB ASSY	VWV2148	IC 491 (A,20 ,127) CPLD IC		LC4032VAA
	2..VJKB ASSY	VWV2151	IC 503 (A,81 ,232) IC		TC74VHC157FTS1
	2..PS ASSY	VWV2153	IC 504 (A,68 ,233) IC		TC74VHC157FTS1
NSP	1..FLKB ASSY	VWM2349	IC 505 (A,53 ,233) IC		TC74VHC157FTS1
	2..MSWB ASSY	VWG2548	IC 506 (B,96 ,242) IC		TC7SH08FUS1
	2..FLKY ASSY	VWG2551	IC 552 (A,76 ,209) AQE IC		PD0274A
	2..KEYB ASSY	VWG2553	IC 553 (A,71 ,198) IC		TC7WH157FU
	2..PLED ASSY	VWG2557	IC 601 (A,59 ,111) SYSTEM CONTROL		CPUPD6345A
NSP	1..LOADER MECHA ASSY	VWT1218	IC 603 (B,63 ,116) FLASH ROM		VYW2363
NSP	2..LOAB ASSY	VWG2426	IC 701 (A,39 ,159) DVD DATA PROCESSOR		PE5286B
Δ	1..POWER SUPPLY UNIT	VWR1397	IC 741 (B,27 ,165) IC		HY57V161610ETP-8
Mark No.	Description	Part No.	IC 751 (B,31 ,111) MPEG2 DECODER IC		M65776BFP
A	DVDM ASSY		IC 752 (B,32 ,134) IC		TC7SZ32FU
MISCELLANEOUS			IC 753 (B,10 ,144) IC		TC7WH125FU
IC 101 (A,94 ,158) ASP IC	LA9704WS1		IC 781 (B,18 ,80) SD-RAM(64M)		HY57V641620ETP-H
IC 102 (B,95 ,157) IC	TC7W53FU		IC 786 (B,24 ,138) IC		TC74VHC541FTS1
IC 201 (B,53 ,159) DSP LSI	LC78652W		IC 801 (A,36 ,46) IEEE1394 PHY LINK		TSB43CA42ZGW
IC 202 (A,97 ,198) SPINDLE DRIVER	BA6664FM		IC 802 (B,41 ,79) FLASH ROM		VYW2317
IC 211 (A,72 ,171) VIDEO AMP IC	TK15404M		IC 803 (B,18 ,36) VCO IC		BU2370FV
IC 261 (B,68 ,190) OP-AMP IC	BA4510F		IC 804 (A,12 ,50) OP AMP IC		NJU7093AF
IC 302 (B,75 ,149) OP-AMP IC	BA4510F		IC 805 (A,25 ,82) MICROCOMPUTER		PD5787A
IC 303 (B,64 ,136) LOGIC IC	TC7SZU04FU		IC 806 (B,50 ,44) IC		TC7SH08FUS1
IC 304 (A,70 ,137) LOGIC IC	TC7SZU04FU		IC 901 (B,74 ,73) PROGRESSIVE IC		CM0039AF
IC 306 (B,57 ,136) LOGIC IC	TC7SZU04FU		IC 902 (B,80 ,43) SDRAM(64M)		K4S643232H-TC60
IC 351 (B,98 ,176) IC	M56788AFP		IC 1001(A,68 ,75) RESO EXP IC		PD0280B
Δ IC 401 (A,95 ,71) REGULATOR,IC	PQ033EZ01ZP		IC 1051(A,71 ,45) HDMI TRANSMITTER		SI1903CTU
Δ IC 402 (A,97 ,41) REGULATOR IC (5.0V)	MM1565AF		IC 1101(B,68 ,216) DSP IC		DSPD56367PV150
Δ IC 403 (A,98 ,121) REGULATOR,IC	PQ025EZ01ZP		IC 1102(B,82 ,202) IC		TC7SH04FUS1
Δ IC 404 (B,100 ,205) REGULATOR IC(3.3V)	MM1385EN		IC 1103(B,49 ,196) IC		TC7WH34FU
Δ IC 405 (B,112 ,19) REGULATOR IC	NJM2880U1-05		IC 1105(B,33 ,191) IC		HY57V161610ETP-8
Δ IC 410 (A,95 ,235) REGULATOR IC	MM1561JF		IC 1106(A,25 ,182) IC		TC7SH00FUS1
Δ IC 411 (A,11 ,180) REGULATOR,IC	PQ025EZ01ZP		IC 1107(A,33 ,183) IC		TC7WH74FU
IC 451 (A,17 ,102) LOGIC IC	TC7SHU04FUS1		IC 1110(A,34 ,204) SACD DECODER		CXD2753R
IC 452 (B,51 ,181) IC	TC7SH08FUS1		Q 101 (B,96 ,150) CHIP TRANSISTOR		HN1A01F
IC 453 (B,65 ,170) LOGIC IC	TC7SHU04FUS1		Q 102 (B,102 ,150) CHIP TRANSISTOR		HN1A01F
IC 454 (A,33 ,118) LOGIC IC	TC7SHU04FUS1		Q 103 (A,88 ,175) CHIP TRANSISTOR		HN1B04FU
			Q 104 (A,73 ,163) CHIP TRANSISTOR		HN1C01FU
			Q 105 (A,88 ,145) CHIP TRANSISTOR		HN1B04FU
			Q 106 (A,77 ,153) CHIP TRANSISTOR		HN1A01F
			Q 107 (B,102 ,134) NMOS FET TRANSISTOR		UM5K1N

Mark No.	Description	Part No.
Q 108 (B,98 ,138)	CHIP TRANSISTOR	DTC114EUA
Q 241 (B,83 ,166)	CHIP TRANSISTOR	DTC114EUA
Q 401 (B,28 ,218)	TRANSISTOR(SC-70)	2SA1602A
Q 402 (B,24 ,218)	TRANSISTOR(SC-70)	2SA1602A
Q 403 (B,25 ,225)	TRANSISTOR	2SC4081
Q 404 (A,89 ,28)	CHIP TRANSISTOR	DTC114TUA
Q 601 (B,87 ,115)	CHIP TRANSISTOR	RN4982
Q 801 (B,20 ,24)	CHIP TRANSISTOR	DTC114TUA
Q 802 (A,20 ,25)	CHIP TRANSISTOR	RN4982
Q 901 (A,98 ,28)	CHIP TRANSISTOR	HN1C01FU
Q 904 (B,94 ,92)	TRANSISTOR	2SA1576A
Q 905 (B,90 ,92)	TRANSISTOR	2SA1576A
Q 907 (B,82 ,92)	TRANSISTOR	2SA1576A
Q 908 (B,79 ,92)	TRANSISTOR	2SA1576A
Q 909 (B,76 ,92)	TRANSISTOR	2SA1576A
Q 910 (B,94 ,98)	CHIP TRANSISTOR	HN1B04FU
Q 911 (B,90 ,98)	CHIP TRANSISTOR	HN1B04FU
Q 912 (B,86 ,95)	CHIP TRANSISTOR	HN1B04FU
Q 913 (B,83 ,98)	CHIP TRANSISTOR	HN1B04FU
Q 914 (B,79 ,98)	CHIP TRANSISTOR	HN1B04FU
Q 915 (B,76 ,98)	CHIP TRANSISTOR	HN1B04FU
Q 941 (A,98 ,33)	CHIP TRANSISTOR	RN4982
Q 1052(A,61 ,30)	NMOS FET TRANSISTOR	UM6K1N
Q 1054(B,63 ,29)	CHIP TRANSISTOR	HN1C01FU
Q 1055(B,68 ,27)	TRANSISTOR	2SA1576A
Q 1057(B,65 ,37)	DIGITAL TRANSISTOR	DTC124EUA
Q 1058(B,60 ,30)	CHIP TR (PNP X 2)	UMB1N
D 302 (B,74 ,140)	CHIP VARI-CAP DIODE	KV1870S
D 303 (B,68 ,140)	CHIP VARI-CAP DIODE	KV1870S
D 401 (A,91 ,246)	DIODE	RB051L-40
D 402 (A,91 ,111)	DIODE	RB051L-40
D 403 (A,98 ,45)	CHIP DIODE	RB501V-40
D 404 (B,101 ,202)	CHIP DIODE	RB501V-40
D 406 (A,89 ,70)	CHIP DIODE	RB501V-40
D 408 (A,17 ,175)	CHIP DIODE	RB501V-40
D 409 (B,110 ,15)	CHIP DIODE	RB501V-40
D 601 (B,90 ,113)	CHIP DIODE	RB501V-40
D 801 (A,49 ,85)	CHIP DIODE	RB501V-40
D 901 (A,101 ,24)	DIODE	1SS355
L 304 (B,72 ,133)	CHIP COIL	LCYA1R2J2520
L 401 (A,22 ,248)	CHIP BEADS	VTL1084
L 481 (A,14 ,105)	CHIP BEADS	VTL1084
L 805 (A,53 ,23)	COIL	VTH1047
L 806 (A,49 ,23)	COIL	VTH1047
L 807 (A,36 ,23)	COIL	VTH1047
L 808 (A,32 ,23)	COIL	VTH1047
L 1051(A,79 ,26)	COIL	ATH7022
L 1052(A,75 ,26)	COIL	ATH7022
L 1053(A,71 ,26)	COIL	ATH7022
L 1054(A,68 ,26)	COIL	ATH7022
L 1101(B,45 ,210)	CHIP COIL	LCYA1R0J2520
L 1102(A,13 ,196)	CHIP BEADS	VTL1084
JA1 (A,34 ,12)	1394-TERMINAL	VKN1800
JA2 (A,52 ,12)	1394-TERMINAL	VKN1800
JA1001(A,72 ,13)	HDMI CONNECTOR	AKP1278
KN1 (A,99 ,217)	EARTH METAL FITTING	VNF1109
KN2 (A,12 ,247)	EARTH METAL FITTING	VNF1109
KN3 (A,98 ,96)	EARTH METAL FITTING	VNF1109
KN4 (A,8 ,26)	EARTH METAL FITTING	VNF1109
KN1051(A,92 ,8)	SCREW PLATE	VNE1948

Mark No.	Description	Part No.
X 481 (A,35 ,103)	CRYSTAL RESONATOR	VSS1172
X 601 (A,73 ,130)	CERAMIC RESONATOR	VSS1160
X 801 (A,7 ,82)	CERAMIC RESONATOR	VSS1179
X 802 (A,52 ,43)	CRYSTAL RESONATOR	ASS7055
CN103 (A,114 ,106)	CONNECTOR	AKM1276
CN111 (A,114 ,131)	24P CONNECTOR	VKN1464
CN114 (A,114 ,206)	4P CONNECTOR	VKN1409
CN115 (A,113 ,232)	12P CONNECTOR	VKN1416
CN401 (A,114 ,77)	CONNECTOR	AKM1284
CN402 (A,24 ,256)	17P CONNECTOR	VKN1421
CN403 (A,107 ,14)	07P CONNECTOR	RKN1048
CN551 (A,68 ,256)	31P CONNECTOR	VKN1517
CN801 (A,17 ,14)	07P CONNECTOR	RKN1048
CN901 (A,114 ,42)	23P CONNECTOR	VKN1427
2	PCB BINDER	VEF1040

RESISTORS

R 1 (B,108 ,259)	RS1/16S332J
R 2 (B,107 ,254)	RS1/16S472J
R 4 (B,105 ,254)	RS1/16S103J
R 101 (A,94 ,139)	RS1/16S473J
R 102 (A,94 ,141)	RS1/16S473J
R 103 (A,94 ,138)	RS1/16S473J
R 104 (A,94 ,143)	RS1/16S473J
R 105 (A,99 ,138)	RS1/16S153J
R 106 (A,102 ,139)	RS1/16S153J
R 107 (A,102 ,138)	RS1/16S223J
R 108 (A,102 ,136)	RS1/16S223J
R 109 (A,105 ,141)	RS1/16S223J
R 110 (A,105 ,138)	RS1/16S223J
R 111 (B,96 ,144)	RAB4C220J
R 112 (B,93 ,150)	RS1/16S472J
R 113 (B,102 ,144)	RAB4C470J
R 114 (B,105 ,150)	RS1/16S472J
R 115 (A,75 ,163)	RS1/16S101J
R 116 (A,76 ,166)	RS1/16S102J
R 117 (A,89 ,168)	RS1/16S333J
R 118 (A,89 ,172)	RS1/16S473J
R 119 (A,85 ,179)	RS1/16S223J
R 120 (A,88 ,180)	RS1/16S223J
R 121 (A,85 ,175)	RS1/16S223J
R 122 (B,83 ,158)	RS1/16S225J
R 123 (A,81 ,165)	RS1/16S1202F
R 124 (A,98 ,167)	RS1/16S333J
R 125 (A,100 ,167)	RS1/16S473J
R 126 (A,96 ,168)	RS1/16S123J
R 127 (A,93 ,172)	RS1/16S103J
R 128 (A,81 ,154)	RS1/16S101J
R 129 (A,75 ,157)	RS1/16S102J
R 130 (A,81 ,152)	RS1/16S101J
R 131 (A,74 ,153)	RS1/16S102J
R 132 (A,81 ,167)	RS1/16S4702F
R 133 (A,81 ,164)	RS1/16S333J
R 134 (A,81 ,156)	RS1/16S151J
R 135 (A,73 ,149)	RS1/16S471J
R 136 (A,78 ,149)	RS1/16S471J
R 137 (A,108 ,141)	RS1/16S0R0J
R 138 (A,105 ,120)	RS1/10S0R0J
R 139 (B,101 ,138)	RS1/16S104J

Mark No.	Description	Part No.	Mark No.	Description	Part No.
A	R 140 (B,103 ,129)	RS1/16S0R0J	R 242 (B,76 ,157)		RS1/16S681J
	R 141 (B,103 ,138)	RS1/16S104J	R 246 (B,41 ,164)		RS1/16S104J
	R 142 (B,98 ,141)	RS1/16S103J	R 251 (A,98 ,189)		RS1/16S562J
	R 150 (A,81 ,175)	RS1/16S0R0J	R 252 (A,93 ,189)		RS1/16S682J
	R 151 (A,92 ,145)	RS1/16S392J	R 253 (A,96 ,189)		RS1/16S682J
	R 152 (A,90 ,145)	RS1/16S392J	R 257 (A,111 ,195)	CHIP RESISTOR	RS1/4SA1R0J
	R 153 (A,95 ,145)	RS1/16S392J	R 258 (A,111 ,192)	CHIP RESISTOR	RS1/4SA2R2J
	R 154 (A,93 ,145)	RS1/16S392J	R 259 (A,111 ,188)	CHIP RESISTOR	RS1/4SA2R2J
	R 155 (A,99 ,142)	RS1/16S103J	R 260 (B,41 ,174)		RS1/10S0R0J
	R 156 (A,101 ,142)	RS1/16S103J	R 261 (B,58 ,188)		RS1/16S154J
	R 157 (A,103 ,142)	RS1/16S153J	R 262 (B,59 ,188)		RS1/16S104J
	R 158 (A,105 ,143)	RS1/16S153J	R 263 (B,61 ,188)		RS1/16S224J
	R 159 (A,81 ,172)	RS1/16S0R0J	R 264 (B,62 ,188)		RS1/16S154J
B	R 160 (A,80 ,137)	RS1/10S0R0J	R 266 (B,58 ,191)		RS1/16S184J
	R 161 (A,96 ,145)	RS1/16S225J	R 268 (B,59 ,191)		RS1/16S104J
	R 162 (A,98 ,145)	RS1/16S225J	R 269 (B,68 ,186)		RS1/16S103J
	R 165 (A,103 ,145)	RS1/16S105J	R 270 (B,77 ,189)		RS1/16S153J
	R 166 (A,104 ,145)	RS1/16S105J	R 271 (B,74 ,188)		RS1/16S153J
	R 167 (A,106 ,145)	RS1/16S103J	R 272 (B,68 ,165)		RS1/16S332J
	R 169 (A,88 ,139)	RS1/16S102J	R 280 (B,36 ,156)		RS1/10S0R0J
	R 170 (A,88 ,138)	RS1/16S102J	R 298 (A,59 ,134)		RS1/16S470J
	R 171 (A,73 ,147)	RS1/16S102J	R 301 (B,57 ,142)		RS1/10S0R0J
	R 172 (A,78 ,147)	RS1/16S102J	R 310 (B,65 ,149)		RS1/16S104J
C	R 173 (A,88 ,143)	RS1/16S102J	R 311 (B,68 ,148)		RS1/16S104J
	R 174 (A,88 ,141)	RS1/16S102J	R 312 (B,65 ,145)		RS1/16S103J
	R 175 (A,86 ,139)	RS1/16S222J	R 313 (B,68 ,147)		RS1/16S153J
	R 176 (A,86 ,142)	RS1/16S101J	R 314 (B,65 ,147)		RS1/16S223J
	R 177 (A,88 ,148)	RS1/16S222J	R 315 (B,54 ,136)		RS1/16S470J
	R 202 (B,53 ,172)	RS1/16S0R0J	R 316 (B,82 ,147)		RS1/16S223J
	R 203 (B,65 ,165)	RS1/16S472J	R 317 (B,80 ,147)		RS1/16S153J
	R 204 (B,68 ,162)	RS1/16S472J	R 318 (B,78 ,145)		RS1/16S103J
	R 205 (A,111 ,198)	RS1/10S0R0J	R 322 (B,73 ,145)		RS1/16S103J
	R 206 (A,97 ,185)	RS1/10S0R0J	R 328 (B,68 ,150)		RS1/16S102J
D	R 207 (B,53 ,176)	RS1/16S0R0J	R 329 (B,73 ,143)		RS1/16S332J
	R 208 (B,73 ,162)	RS1/16S473J	R 330 (B,74 ,137)		RS1/16S104J
	R 209 (B,68 ,157)	RS1/16S104J	R 331 (A,68 ,137)		RS1/16S104J
	R 210 (B,66 ,157)	RS1/16S473J	R 332 (B,68 ,133)		RS1/16S471J
	R 211 (B,73 ,158)	RS1/16S563J	R 333 (A,69 ,153)		RS1/16S102J
	R 212 (B,73 ,157)	RS1/16S821J	R 334 (B,60 ,136)		RS1/16S470J
	R 213 (B,49 ,170)	RS1/16S223J	R 335 (B,69 ,143)		RS1/16S682J
	R 214 (B,60 ,171)	RS1/16S223J	R 336 (B,68 ,137)		RS1/16S104J
	R 215 (B,48 ,170)	RS1/16S103J	R 340 (A,68 ,153)		RS1/16S0R0J
	R 218 (A,72 ,174)	RS1/16S103J	R 341 (B,78 ,172)		RS1/10S101J
	R 219 (B,55 ,146)	RS1/16S103J	R 342 (A,63 ,156)		RS1/16S182J
	R 220 (B,50 ,143)	RS1/10S0R0J	R 343 (A,61 ,153)		RS1/16S220J
E	R 221 (B,42 ,145)	RS1/16S332J	R 344 (B,82 ,151)		RS1/16S101J
	R 222 (B,42 ,148)	RS1/16S681J	R 345 (A,68 ,156)		RS1/16S182J
	R 223 (B,42 ,150)	RS1/16S473J	R 350 (B,73 ,180)		RS1/10S0R0J
	R 224 (B,39 ,152)	RS1/16S681J	R 351 (B,88 ,168)		RS1/16S472J
	R 225 (A,72 ,168)	RS1/16S152J	R 353 (B,86 ,168)		RS1/16S153J
	R 226 (A,72 ,176)	RS1/16S103J	R 357 (B,87 ,183)	CHIP RESISTOR	RS1/16S6802F
	R 227 (A,72 ,166)	RS1/16S102J	R 358 (B,84 ,183)	CHIP RESISTOR	RS1/16S1503F
	R 228 (A,70 ,161)	RS1/16S102J	R 359 (B,87 ,193)		RS1/16S123J
	R 229 (B,39 ,154)	RS1/16S473J	R 360 (B,87 ,192)		RS1/16S472J
	R 231 (B,38 ,167)	RS1/16S222J	R 361 (B,87 ,187)	CHIP RESISTOR	RS1/16S1503F
	R 232 (B,41 ,161)	RS1/16S152J	R 362 (B,87 ,188)	CHIP RESISTOR	RS1/16S6802F
F	R 234 (A,74 ,160)	RS1/16S101J	R 363 (B,110 ,184)	CHIP RESISTOR	RS1/16S6802F
	R 236 (B,58 ,173)	RS1/16S0R0J	R 364 (B,107 ,181)		RS1/16S1003F
	R 240 (B,74 ,154)	RS1/10S0R0J	R 368 (B,107 ,179)	CHIP RESISTOR	RS1/16S6802F
	R 241 (A,77 ,157)	RS1/16S331J	R 369 (B,110 ,183)		RS1/16S1003F

<u>Mark No.</u>	<u>Description</u>	<u>Part No.</u>	<u>Mark No.</u>	<u>Description</u>	<u>Part No.</u>
R 372 (B,108 ,171)	CHIP RESISTOR	RS1/16S6802F	R 557 (A,84 ,206)		RS1/16S0R0J
R 373 (B,108 ,169)		RS1/16S1003F	R 558 (A,83 ,206)		RS1/16S0R0J
R 374 (B,107 ,163)	CHIP RESISTOR	RS1/16S6802F	R 563 (B,89 ,249)		RS1/16S220J
R 375 (B,107 ,165)		RS1/16S1003F	R 565 (A,76 ,235)		RS1/16S560J
R 389 (B,111 ,107)		RS1/16S103J	R 570 (B,103 ,249)		RS1/16S680J
R 390 (B,111 ,109)		RS1/16S103J	R 571 (B,97 ,249)		RS1/16S220J
R 391 (A,107 ,228)		RS1/16S103J	R 572 (B,95 ,249)		RS1/16S220J
R 401 (B,105 ,205)		RS1/10S0R0J	R 574 (B,99 ,249)		RS1/16S220J
R 403 (A,88 ,38)		RS1/10S0R0J	R 576 (B,91 ,249)		RS1/16S220J
R 408 (B,28 ,236)		RS1/16S220J	R 577 (A,74 ,235)		RS1/16S560J
R 409 (B,22 ,236)		RS1/16S220J	R 579 (B,51 ,252)		RS1/16S220J
R 410 (B,27 ,236)		RS1/16S220J	R 583 (B,101 ,249)		RS1/16S220J
R 411 (B,20 ,236)		RS1/16S220J	R 600 (A,39 ,122)		RS1/10S0R0J
R 412 (B,17 ,236)		RS1/16S220J	R 601 (A,34 ,96)		RS1/10S0R0J
R 413 (B,23 ,236)		RS1/16S220J	R 602 (A,48 ,92)		RS1/16S105J
R 415 (B,26 ,212)		RS1/16S220J	R 603 (B,67 ,132)		RS1/10S0R0J
R 417 (B,16 ,236)		RS1/16S0R0J	R 604 (A,81 ,106)		RS1/16S103J
R 420 (A,93 ,24)		RS1/16S103J	R 605 (A,50 ,92)		RS1/16S105J
R 425 (A,93 ,23)		RS1/16S562J	R 606 (A,52 ,88)		RS1/16S105J
R 427 (A,88 ,31)		RS1/16S103J	R 609 (A,50 ,133)		RS1/16S101J
R 429 (A,93 ,26)		RS1/16S103J	R 610 (A,75 ,98)		RS1/16S103J
R 448 (B,28 ,214)		RS1/16S682J	R 611 (A,79 ,106)		RS1/16S103J
R 449 (B,28 ,221)		RS1/16S104J	R 612 (A,63 ,132)		RS1/16S470J
R 450 (B,24 ,221)		RS1/16S182J	R 613 (A,68 ,132)		RS1/16S0R0J
R 451 (B,28 ,225)		RS1/16S104J	R 614 (A,66 ,95)		RS1/16S103J
R 452 (A,24 ,99)		RS1/16S220J	R 615 (A,66 ,128)		RS1/16S103J
R 453 (A,19 ,102)		RS1/16S470J	R 616 (A,65 ,132)		RS1/16S103J
R 454 (A,29 ,109)		RS1/16S220J	R 617 (A,64 ,93)		RS1/16S103J
R 455 (A,32 ,109)		RS1/16S0R0J	R 618 (A,70 ,132)		RS1/16S103J
R 456 (A,14 ,115)		RS1/16S680J	R 619 (A,50 ,129)		RS1/16S103J
R 458 (B,47 ,181)		RS1/16S0R0J	R 620 (A,62 ,132)		RS1/16S103J
R 459 (A,18 ,112)		RS1/16S680J	R 621 (A,64 ,128)		RS1/16S103J
R 460 (A,21 ,116)		RS1/16S470J	R 622 (A,59 ,95)		RS1/16S470J
R 462 (B,64 ,173)		RS1/16S220J	R 623 (A,82 ,104)		RS1/16S103J
R 463 (A,21 ,114)		RS1/16S470J	R 624 (A,83 ,106)		RS1/16S103J
R 464 (A,28 ,118)		RS1/16S101J	R 625 (A,78 ,116)		RS1/16S103J
R 466 (A,28 ,113)		RS1/16S680J	R 628 (A,79 ,110)		RS1/16S103J
R 467 (A,36 ,119)		RS1/16S680J	R 629 (B,71 ,115)		RS1/16S330J
R 468 (A,36 ,112)		RS1/16S680J	R 630 (A,77 ,124)		RS1/16S103J
R 481 (A,20 ,113)		RS1/16S0R0J	R 631 (A,82 ,113)		RAB4C103J
R 482 (A,28 ,95)		RS1/10S0R0J	R 632 (A,52 ,129)		RS1/16S103J
R 483 (A,32 ,102)		RS1/16S0R0J	R 633 (A,67 ,128)		RS1/16S103J
R 484 (A,32 ,104)		RS1/16S101J	R 634 (A,81 ,110)		RS1/16S103J
R 485 (A,29 ,103)		RS1/16S105J	R 635 (A,51 ,92)		RS1/16S105J
R 491 (A,8 ,129)		RS1/10S0R0J	R 637 (A,78 ,114)		RS1/16S103J
R 492 (A,10 ,125)		RS1/16S220J	R 638 (A,80 ,124)		RS1/16S220J
R 539 (A,86 ,234)		RS1/16S560J	R 639 (A,82 ,124)		RS1/16S103J
R 540 (A,61 ,235)		RS1/16S560J	R 640 (A,81 ,101)		RS1/16S103J
R 541 (A,63 ,235)		RS1/16S560J	R 641 (A,58 ,92)		RS1/16S103J
R 542 (A,73 ,235)		RS1/16S560J	R 642 (A,82 ,120)		RS1/16S220J
R 543 (A,87 ,232)		RS1/16S0R0J	R 643 (A,75 ,124)		RS1/16S103J
R 544 (A,47 ,235)		RS1/16S560J	R 644 (A,80 ,120)		RS1/16S220J
R 545 (A,48 ,235)		RS1/16S560J	R 645 (A,78 ,124)		RS1/16S220J
R 546 (A,58 ,235)		RS1/16S560J	R 646 (A,78 ,106)		RS1/16S103J
R 547 (A,59 ,235)		RS1/16S560J	R 647 (A,55 ,92)		RS1/16S105J
R 551 (A,71 ,216)		RS1/16S560J	R 648 (A,39 ,131)		RS1/16S223J
R 552 (A,72 ,216)		RS1/16S220J	R 649 (B,54 ,124)		RS1/16S220J
R 553 (A,74 ,216)		RS1/16S220J	R 650 (A,59 ,136)		RS1/16S470J
R 554 (A,82 ,198)		RS1/10S0R0J	R 652 (A,44 ,129)		RS1/16S470J
R 556 (B,93 ,249)		RS1/16S220J	R 653 (B,57 ,103)		RS1/16S103J

<u>Mark No.</u>	<u>Description</u>	<u>Part No.</u>	<u>Mark No.</u>	<u>Description</u>	<u>Part No.</u>
A	R 654 (A,73 ,96)	RS1/16S103J	R 756 (B,51 ,130)		RS1/10S0R0J
	R 655 (A,53 ,92)	RS1/16S105J	R 757 (B,51 ,132)		RS1/10S0R0J
	R 656 (B,72 ,118)	RS1/16S103J	R 758 (B,15 ,133)		RS1/10S0R0J
	R 659 (A,53 ,134)	RS1/16S103J	R 759 (B,15 ,135)		RS1/10S0R0J
	R 661 (A,38 ,128)	RS1/16S103J	R 760 (B,12 ,97)		RS1/10S0R0J
	R 662 (A,52 ,133)	RS1/16S222J	R 761 (B,31 ,93)		RS1/16S220J
	R 663 (A,38 ,129)	RS1/16S682J	R 762 (B,50 ,124)		RS1/16S0R0J
	R 664 (A,38 ,133)	RS1/16S103J	R 763 (B,8 ,113)		RS1/10S0R0J
	R 665 (A,49 ,129)	RS1/16S103J	R 764 (B,28 ,134)		RS1/16S103J
	R 666 (A,47 ,129)	RS1/16S103J	R 765 (B,20 ,132)		RS1/16S103J
	R 667 (A,46 ,129)	RS1/16S103J	R 766 (B,30 ,135)		RS1/16S390J
	R 668 (B,54 ,119)	RS1/16S220J	R 781 (B,23 ,71)		RS1/16S0R0J
	R 669 (A,80 ,96)	RS1/16S223J	R 786 (B,18 ,147)		RAB4C470J
B	R 670 (A,85 ,99)	RS1/16S223J	R 787 (B,18 ,143)		RAB4C470J
	R 671 (A,78 ,98)	RS1/16S470J	R 801 (A,45 ,67)		RS1/16S103J
	R 672 (A,87 ,96)	RS1/16S470J	R 802 (A,44 ,67)		RS1/16S103J
	R 673 (A,84 ,96)	RS1/16S222J	R 803 (A,47 ,67)		RS1/16S103J
	R 681 (A,73 ,126)	RS1/16S103J	R 804 (B,48 ,61)		RAB4C103J
	R 682 (B,87 ,112)	RS1/16S104J	R 805 (A,53 ,58)		RS1/16S103J
	R 683 (A,73 ,127)	RS1/16S471J	R 806 (B,47 ,56)		RS1/16S103J
	R 689 (A,76 ,96)	RS1/16S103J	R 807 (B,47 ,54)		RS1/16S103J
	R 693 (A,75 ,102)	RS1/16S222J	R 808 (A,51 ,52)		RS1/16S103J
	R 694 (A,75 ,101)	RS1/16S470J	R 809 (B,45 ,49)		RS1/16S103J
C	R 696 (A,82 ,98)	RS1/16S470J	R 810 (B,52 ,53)		RS1/16S103J
	R 701 (A,55 ,183)	RS1/10S0R0J	R 811 (B,45 ,47)		RS1/16S103J
	R 703 (A,46 ,179)	RS1/16S103J	R 812 (B,45 ,46)		RS1/16S103J
	R 704 (B,50 ,122)	RS1/16S470J	R 813 (B,47 ,51)		RS1/16S103J
	R 705 (A,51 ,178)	RS1/16S220J	R 814 (B,52 ,51)		RS1/16S103J
	R 706 (A,38 ,181)	RS1/16S680J	R 815 (B,45 ,43)		RS1/16S103J
	R 707 (B,52 ,147)	RS1/16S103J	R 816 (B,57 ,34)	CHIP RESISTOR	RS1/16S6341D
	R 709 (A,57 ,160)	RS1/16S0R0J	R 819 (B,42 ,53)		RS1/16S103J
	R 710 (A,60 ,163)	RS1/16S470J	R 820 (A,42 ,67)		RS1/16S103J
	R 711 (A,63 ,167)	RS1/16S103J	R 821 (B,28 ,63)		RAB4C220J
	R 712 (A,39 ,180)	RS1/16S103J	R 822 (B,38 ,63)		RAB4C0R0J
D	R 713 (A,36 ,178)	RAB4C103J	R 823 (B,33 ,63)		RAB4C0R0J
	R 715 (A,60 ,162)	RS1/16S220J	R 824 (B,43 ,63)		RAB4C0R0J
	R 716 (A,42 ,139)	RS1/16S103J	R 825 (A,23 ,54)		RS1/16S103J
	R 717 (A,43 ,139)	RS1/16S103J	R 826 (A,14 ,88)		RS1/16S220J
	R 718 (A,62 ,148)	RS1/10S0R0J	R 828 (A,47 ,43)		RS1/16S151J
	R 720 (A,61 ,169)	RS1/16S103J	R 832 (A,40 ,88)		RAB4C0R0J
	R 721 (A,60 ,179)	RS1/10S0R0J	R 833 (A,40 ,84)		RAB4C0R0J
	R 722 (A,17 ,167)	RS1/16S220J	R 834 (A,25 ,49)		RS1/16S103J
	R 723 (A,60 ,172)	RS1/16S470J	R 835 (A,22 ,45)		RS1/16S103J
	R 725 (A,60 ,165)	RS1/16S470J	R 836 (A,22 ,42)		RS1/16S330J
E	R 726 (A,63 ,165)	RS1/16S470J	R 837 (A,16 ,42)		RS1/16S0R0J
	R 727 (A,17 ,164)	RS1/16S0R0J	R 839 (A,19 ,33)		RS1/16S0R0J
	R 728 (B,10 ,66)	RS1/10S0R0J	R 841 (A,15 ,34)		RS1/16S0R0J
	R 729 (B,45 ,134)	RAB4C101J	R 842 (A,51 ,33)		RS1/10S0R0J
	R 730 (B,40 ,134)	RAB4C101J	R 843 (A,31 ,32)		RS1/16S103J
	R 731 (A,22 ,149)	RS1/16S220J	R 844 (A,33 ,33)		RS1/16S0R0J
	R 732 (A,32 ,140)	RS1/16S220J	R 845 (B,38 ,41)		RS1/10S0R0J
	R 733 (A,32 ,141)	RS1/16S220J	R 846 (A,20 ,58)		RS1/10S0R0J
	R 734 (A,35 ,176)	RS1/16S470J	R 847 (B,51 ,93)		RS1/10S0R0J
	R 735 (A,46 ,181)	RS1/16S470J	R 848 (A,48 ,88)		RS1/16S103J
	R 736 (A,48 ,178)	RS1/16S220J	R 849 (B,8 ,38)		RS1/10S0R0J
	R 741 (B,9 ,171)	RS1/10S0R0J	R 850 (A,19 ,37)		RS1/16S101J
F	R 751 (B,53 ,109)	RS1/16S220J	R 851 (B,22 ,38)		RS1/16S103J
	R 752 (B,55 ,109)	RS1/16S220J	R 852 (B,22 ,42)		RS1/16S0R0J
	R 753 (B,10 ,148)	RS1/16S470J	R 853 (B,22 ,31)		RS1/16S273J
	R 754 (B,13 ,143)	RS1/16S470J	R 855 (B,16 ,30)		RS1/16S103J

<u>Mark No.</u>	<u>Description</u>	<u>Part No.</u>	<u>Mark No.</u>	<u>Description</u>	<u>Part No.</u>
R 856 (B,21 ,42)		RS1/16S472J	R 930 (B,56 ,93)		RAB4C103J
R 857 (A,12 ,53)		RS1/16S223J	R 931 (B,60 ,98)		RAB4C220J
R 858 (A,8 ,52)		RS1/16S223J	R 932 (B,64 ,98)		RAB4C220J
R 859 (A,7 ,48)		RS1/16S362J	R 933 (B,54 ,78)		RAB4C220J
R 860 (A,18 ,96)		RS1/16S103J	R 934 (B,92 ,73)		RS1/16S220J
R 862 (A,11 ,88)		RS1/16S103J	R 935 (B,93 ,68)		RAB4C103J
R 863 (A,11 ,86)		RS1/16S0R0J	R 936 (B,54 ,73)		RAB4C220J
R 864 (A,11 ,78)		RS1/16S103J	R 937 (B,54 ,68)		RAB4C220J
R 865 (A,17 ,70)		RS1/16S103J	R 940 (B,54 ,63)		RAB4C220J
R 866 (A,18 ,70)		RS1/16S103J	R 941 (A,93 ,33)		RS1/16S222J
R 867 (A,20 ,70)		RS1/16S220J	R 942 (A,93 ,31)		RS1/16S153J
R 868 (A,23 ,70)		RS1/16S103J	R 943 (A,95 ,28)		RS1/16S473J
R 869 (A,11 ,83)		RS1/16S0R0J	R 944 (B,56 ,98)		RAB4C103J
R 871 (A,22 ,70)		RS1/16S0R0J	R 945 (A,99 ,24)		RS1/16S472J
R 872 (A,23 ,25)		RS1/16S104J	R 946 (A,107 ,27)		RS1/16S220J
R 873 (A,28 ,70)		RS1/16S0R0J	R 947 (B,52 ,83)		RS1/16S0R0J
R 874 (B,28 ,70)		RS1/16S103J	R 948 (B,65 ,94)		RS1/16S220J
R 875 (A,29 ,70)		RS1/16S0R0J	R 949 (A,106 ,52)		RS1/16S220J
R 876 (B,29 ,70)		RS1/16S103J	R 950 (B,69 ,92)		RS1/10S0R0J
R 877 (A,32 ,70)		RAB4C0R0J	R 951 (B,103 ,85)		RS1/10S0R0J
R 878 (B,32 ,70)		RAB4C103J	R 952 (A,101 ,29)		RS1/16S474J
R 880 (A,25 ,70)		RS1/16S103J	R 953 (B,87 ,80)		RS1/16S1802F
R 882 (B,12 ,21)		RS1/16S103J	R 954 (A,107 ,25)		RS1/16S220J
R 883 (B,17 ,26)		RS1/16S103J	R 955 (A,107 ,30)		RS1/16S220J
R 884 (B,10 ,21)		RS1/16S0R0J	R 957 (A,107 ,47)		RS1/16S0R0J
R 885 (B,13 ,21)		RS1/16S562J	R 958 (A,107 ,43)		RS1/16S0R0J
R 886 (B,15 ,21)		RS1/16S0R0J	R 959 (A,107 ,32)		RS1/16S0R0J
R 887 (B,16 ,21)		RS1/16S103J	R 960 (A,107 ,38)		RS1/16S0R0J
R 888 (A,10 ,68)		RS1/10S0R0J	R 961 (B,92 ,80)		RS1/16S1502F
R 889 (A,53 ,27) CHIP RESISTOR		RS1/16S56R0D	R 963 (A,107 ,36)		RS1/16S0R0J
R 890 (A,52 ,26) CHIP RESISTOR		RS1/16S56R0D	R 964 (A,107 ,35)		RS1/16S220J
R 891 (A,35 ,27) CHIP RESISTOR		RS1/16S56R0D	R 965 (A,107 ,41)		RS1/16S220J
R 892 (A,35 ,26) CHIP RESISTOR		RS1/16S56R0D	R 966 (B,95 ,83)		RS1/16S1002F
R 893 (A,48 ,27) CHIP RESISTOR		RS1/16S56R0D	R 968 (A,107 ,28)		RS1/16S0R0J
R 894 (A,48 ,26) CHIP RESISTOR		RS1/16S56R0D	R 969 (A,107 ,44)		RS1/16S220J
R 895 (A,31 ,27) CHIP RESISTOR		RS1/16S56R0D	R 979 (B,93 ,80)		RS1/16S681J
R 896 (A,30 ,26) CHIP RESISTOR		RS1/16S56R0D	R 982 (A,107 ,49)		RS1/16S220J
R 897 (A,45 ,23)		RS1/16S5101F	R 993 (B,96 ,73)		RAB4C103J
R 901 (B,66 ,55)		RAB4C220J	R 994 (B,95 ,64)		RAB4C103J
R 902 (A,53 ,85)		RS1/16S0R0J	R 998 (A,100 ,33)		RS1/16S473J
R 903 (A,53 ,82)		RS1/16S0R0J	R 1001(A,70 ,92)		RS1/10S0R0J
R 904 (B,67 ,98)		RS1/16S0R0J	R 1002(A,80 ,93)		RS1/10S0R0J
R 905 (B,91 ,54)		RAB4C103J	R 1003(A,81 ,88)		RS1/16S0R0J
R 906 (B,89 ,30)		RAB4C103J	R 1004(A,60 ,38)		RS1/16S0R0J
R 907 (B,54 ,58)		RS1/10S0R0J	R 1005(A,81 ,85)		RS1/16S0R0J
R 909 (B,85 ,30)		RAB4C103J	R 1006(A,87 ,77)		RS1/16S332J
R 911 (B,68 ,102)		RS1/16S0R0J	R 1007(A,85 ,80)		RS1/16S821J
R 913 (B,69 ,102)		RS1/16S0R0J	R 1009(A,82 ,71)		RS1/16S470J
R 914 (B,81 ,56)		RS1/16S220J	R 1010(A,81 ,69)		RS1/16S220J
R 915 (B,61 ,83)		RS1/16S220J	R 1011(A,85 ,68)		RS1/16S220J
R 916 (B,57 ,88)		RS1/10S0R0J	R 1012(A,84 ,67)		RS1/16S220J
R 919 (B,96 ,34)		RS1/10S220J	R 1013(A,84 ,58)		RAB4C220J
R 920 (B,81 ,34)		RS1/16S0R0J	R 1014(A,80 ,58)		RAB4C220J
R 921 (B,63 ,59)		RS1/16S470J	R 1015(A,76 ,58)		RAB4C220J
R 922 (B,77 ,55)		RAB4C220J	R 1016(A,72 ,58)		RAB4C220J
R 923 (B,85 ,58)		RAB4C103J	R 1017(A,67 ,58)		RAB4C220J
R 924 (B,89 ,58)		RAB4C103J	R 1018(A,63 ,58)		RAB4C220J
R 925 (B,56 ,83)		RS1/16S0R0J	R 1049(A,58 ,30)		RS1/16S0R0J
R 928 (B,92 ,74)		RS1/16S220J	R 1050(A,62 ,26)		RS1/16S0R0J
R 929 (B,58 ,82)		RS1/16S0R0J	R 1051(A,86 ,48)		RS1/10S0R0J

Mark No.	Description	Part No.	Mark No.	Description	Part No.
A	R 1052(A,81 ,38)	RS1/10S0R0J	R 1161(A, 11 ,216)		RS1/10S0R0J
	R 1053(A,81 ,35)	RS1/10S0R0J	R 1162(A,19 ,227)		RS1/16S470J
	R 1054(A,57 ,57)	RS1/10S0R0J	R 1163(A,21 ,227)		RS1/16S470J
	R 1055(A,64 ,35)	RS1/10S0R0J	R 1164(A,23 ,227)		RS1/16S470J
	R 1057(A,61 ,47)	RS1/16S220J	R 1165(A,24 ,227)		RS1/16S470J
	R 1058(A,59 ,50)	RS1/16S220J	R 1166(A,37 ,227)		RS1/16S470J
	R 1064(A,66 ,33) CHIP RESISTOR	RS1/16S4750F	R 1167(A,38 ,227)		RS1/16S470J
	R 1065(A,56 ,53)	RS1/16S220J	R 1168(A,30 ,227)		RS1/16S470J
	R 1066(A,83 ,43)	RS1/16S0R0J	R 1169(A,32 ,227)		RS1/16S470J
	R 1068(A,56 ,51)	RS1/16S220J	R 1170(A,33 ,227)		RS1/16S470J
	R 1069(A,56 ,49)	RS1/16S220J	R 1171(A,35 ,227)		RS1/16S470J
	R 1070(A,56 ,48)	RS1/16S220J	R 1172(A,26 ,227)		RS1/16S470J
	R 1073(A,61 ,33)	RS1/16S472J	R 1173(A,27 ,227)		RS1/16S470J
B	R 1074(A,59 ,26)	RS1/16S472J	R 1174(A,29 ,227)		RS1/16S470J
	R 1075(B,61 ,33)	RS1/16S272J	R 1175(A,46 ,186)		RAB4C470J
	R 1078(A,59 ,23)	RS1/10S0R0J	R 1176(A,50 ,186)		RAB4C470J
	R 1079(A,86 ,26)	RS1/10S0R0J	R 1201(B,94 ,95)		RS1/16S102J
	R 1080(B,79 ,25)	RS1/10S0R0J	R 1203(B,92 ,106)		RS1/16S820J
	R 1082(A,57 ,44)	RS1/16S220J	R 1204(B,93 ,108)		RS1/16S5600F
	R 1083(B,58 ,23)	RS1/16S272J	R 1205(B,93 ,106) CHIP RESISTOR		RS1/16S3300F
	R 1091(B,65 ,30)	RS1/16S272J	R 1207(B,103 ,28)		RS1/16S102J
	R 1092(B,60 ,26)	RS1/16S472J	R 1208(B,90 ,95)		RS1/16S102J
	R 1093(B,65 ,27)	RS1/16S472J	R 1210(B,88 ,106)		RS1/16S820J
C	R 1094(B,70 ,29)	RS1/16S472J	R 1211(B,89 ,108)		RS1/16S5600F
	R 1095(B,67 ,30)	RS1/16S562J	R 1212(B,90 ,106) CHIP RESISTOR		RS1/16S3300F
	R 1096(B,63 ,26)	RS1/16S102J	R 1214(B,106 ,35)		RS1/16S102J
	R 1097(B,64 ,24)	RS1/16S473J	R 1215(B,85 ,91)		RS1/16S102J
	R 1098(B,71 ,27)	RS1/16S272J	R 1217(B,85 ,102)		RS1/16S470J
	R 1101(B,51 ,231)	RS1/10S0R0J	R 1218(B,85 ,104)		RS1/16S4700F
	R 1102(B,53 ,194)	RS1/16S220J	R 1219(B,86 ,102) CHIP RESISTOR		RS1/16S2700F
	R 1103(B,55 ,194)	RS1/16S220J	R 1221(B,106 ,33)		RS1/16S102J
	R 1104(B,82 ,207)	RS1/16S0R0J	R 1222(B,82 ,95)		RS1/16S102J
	R 1105(B,79 ,199)	RS1/16S0R0J	R 1224(B,81 ,106)		RS1/16S330J
D	R 1108(B,81 ,205)	RS1/16S220J	R 1225(B,82 ,108)		RS1/16S5600F
	R 1109(B,78 ,199)	RS1/16S103J	R 1226(B,83 ,106)		RS1/16S3900F
	R 1110(B,76 ,199)	RS1/16S103J	R 1228(B,103 ,38)		RS1/16S102J
	R 1111(A,51 ,196)	RS1/16S103J	R 1229(B,79 ,95)		RS1/16S102J
	R 1112(B,75 ,199)	RS1/16S103J	R 1231(B,78 ,106)		RS1/16S680J
	R 1113(B,73 ,199)	RS1/16S103J	R 1232(B,79 ,108)		RS1/16S5600F
	R 1118(B,60 ,199)	RS1/16S103J	R 1233(B,80 ,106)		RS1/16S3900F
	R 1119(B,53 ,216)	RS1/16S220J	R 1235(B,103 ,43)		RS1/16S102J
	R 1123(B,51 ,222)	RS1/16S103J	R 1236(B,76 ,95)		RS1/16S102J
	R 1125(B,78 ,203)	RS1/16S0R0J	R 1238(B,74 ,106)		RS1/16S680J
E	R 1126(B,52 ,186)	RS1/10S0R0J	R 1239(B,74 ,107)		RS1/16S5600F
	R 1127(B,41 ,202)	RAB4C103J	R 1240(B,77 ,106)		RS1/16S3900F
	R 1128(B,35 ,202)	RAB4C103J	R 1242(B,103 ,46)		RS1/16S102J
	R 1133(B,94 ,227)	RS1/10S0R0J	R 1801(A,18 ,61)		RS1/10S0R0J
	R 1136(A,15 ,209)	RS1/16S470J	R 1813(A,40 ,80)		RAB4C0R0J
	R 1137(A,15 ,210)	RS1/16S470J	R 1814(A,40 ,76)		RAB4C0R0J
	R 1139(A,27 ,185)	RS1/10S0R0J	R 1815(A,40 ,72)		RS1/16S103J
	R 1140(A,22 ,180)	RS1/16S220J	R 1816(A,35 ,72)		RS1/16S0R0J
	R 1142(A,30 ,182)	RS1/16S0R0J	R 1817(B,20 ,27)		RS1/16S103J
	R 1145(A,39 ,186)	RS1/16S0R0J	R 1818(A,40 ,73)		RS1/16S0R0J
	R 1149(A,19 ,194)	RS1/16S470J	R 1819(B,35 ,42)		RS1/16S103J
	R 1150(B,29 ,200)	RS1/16S220J	R 1820(A,28 ,23)		RS1/16S5101F
	R 1151(A,38 ,186)	RS1/16S220J			
F	R 1156(A,40 ,227)	RS1/16S470J			
	R 1157(A,15 ,212)	RS1/16S470J			
	R 1159(A,16 ,222)	RS1/10S0R0J			
	R 1160(A,43 ,228)	RS1/10S0R0J			
			CAPACITORS		
			C 100 (A,81 ,157)		CCSRCH151J50
			C 101 (A,107 ,150) CHIP OS CAPACITOR		ACH7174

<u>Mark No.</u>	<u>Description</u>	<u>Part No.</u>	<u>Mark No.</u>	<u>Description</u>	<u>Part No.</u>
C 102 (B,99 ,155)		CKSRYB105K6R3	C 242 (B,80 ,167)		CKSRYB472K50
C 103 (A,107 ,157)	CHIP ELECT.CAPACITOR	CEVW220M16	C 248 (A,91 ,205)		CKSRYB104K16
C 104 (B,99 ,158)		CKSRYB105K6R3	C 249 (A,90 ,207)		CKSRYB104K16
C 105 (A,104 ,162)		CKSRYB105K6R3	C 250 (A,89 ,209)		CKSRYB104K16
C 106 (A,88 ,172)		CKSRYB152K50	C 251 (A,91 ,189)		CKSRYB104K16
C 107 (A,88 ,178)		CCSRCH681J50	C 253 (A,99 ,187)		CKSRYF105Z10
C 108 (A,94 ,172)		CKSRYB104K16	C 254 (A,104 ,185)		CEVW101M16
C 109 (A,96 ,172)		CCSRCH391J50	C 255 (A,90 ,189)		CKSRYB104K16
C 110 (A,93 ,168)		CKSRYB103K50	C 256 (A,104 ,191)		CKSRYF105Z10
C 111 (A,91 ,168)		CKSRYB104K16	C 258 (A,94 ,189)		CKSRYF105Z10
C 112 (A,73 ,155)		CKSRYF105Z10	C 261 (B,61 ,191)		CKSRYB103K50
C 113 (A,81 ,170)		CKSRYB103K50	C 263 (B,78 ,189)		CKSRYB104K16
C 114 (A,81 ,168)		CKSRYB104K16	C 264 (B,74 ,189)		CKSRYB105K6R3
C 115 (A,81 ,162)		CKSRYB104K16	C 265 (B,68 ,194)		CKSRYF105Z10
C 116 (A,80 ,159)		CKSRYB105K6R3	C 266 (B,66 ,165)		CKSRYB224K10
C 117 (A,71 ,158)	CAPACITOR(TANTARIUM)	VCH1259	C 299 (B,41 ,158)		CKSRYF105Z10
C 118 (A,77 ,163)		CKSRYF105Z10	C 310 (B,57 ,139)		CKSRYF105Z10
C 119 (A,81 ,148)	CAPACITOR(TANTARIUM)	VCH1258	C 312 (B,80 ,151)		CKSRYB105K6R3
C 120 (A,71 ,148)		CCSRCH221J50	C 313 (B,80 ,144)		CKSRYB102K50
C 121 (A,75 ,148)		CCSRCH121J50	C 314 (B,65 ,150)		CCSRCH150J50
C 122 (A,86 ,148)		CKSRYF105Z10	C 315 (B,68 ,145)		CKSRYB104K16
C 123 (A,79 ,142)		CEVW101M16	C 317 (B,68 ,151)		CKSRYB104K16
C 125 (A,108 ,139)		CKSRYF105Z10	C 319 (B,78 ,154)		CKSRYF105Z10
C 126 (A,105 ,118)		CKSRYF105Z10	C 320 (B,74 ,136)		CKSRYB103K50
C 127 (A,80 ,161)		CKSRYB105K6R3	C 321 (A,74 ,137)		CKSRYB103K50
C 128 (A,112 ,118)	CHIP PV CAPACITOR	VCH1252	C 322 (B,70 ,136)		CKSRYB103K50
C 129 (A,84 ,144)		CKSRYF105Z10	C 324 (B,77 ,140)		CCSRCH331J50
C 130 (B,101 ,129)		CKSRYF105Z10	C 326 (B,64 ,142)	CAPACITOR(TANTARIUM)	VCH1258
C 131 (B,95 ,154)		CKSRYF105Z10	C 328 (A,73 ,137)		CKSRYF105Z10
C 133 (A,99 ,139)		CCSRCH221J50	C 329 (B,64 ,139)		CKSRYF105Z10
C 134 (A,105 ,139)		CCSRCH151J50	C 330 (A,72 ,153)		CKSRYB103K50
C 200 (B,60 ,169)		CKSRYF105Z10	C 332 (B,84 ,151)		CKSRYB104K16
C 201 (B,37 ,161)	CAPACITOR(TANTARIUM)	VCH1259	C 351 (B,89 ,168)		CKSRYB102K50
C 202 (B,53 ,169)		CKSRYF105Z10	C 353 (B,87 ,171)		CKSRYF104Z25
C 204 (B,53 ,170)		CKSRYF105Z10	C 357 (B,87 ,185)		CKSRYB472K50
C 205 (B,45 ,142)	CAPACITOR(TANTARIUM)	VCH1258	C 358 (A,104 ,174)		CEVW101M16
C 206 (B,63 ,165)		CKSRYB472K50	C 359 (B,89 ,171)		CKSRYF104Z25
C 208 (B,66 ,162)		CKSRYB222K50	C 360 (B,87 ,190)		CCSRCH681J50
C 212 (B,71 ,162)		CKSRYB104K16	C 363 (B,104 ,191)	CHIP TZV CAPACITOR	VCH1260
C 213 (B,69 ,162)		CKSRYB104K16	C 365 (B,108 ,166)		CKSRYF104Z25
C 214 (B,41 ,162)		CKSRYB472K50	C 366 (B,108 ,168)		CKSRYF104Z25
C 215 (B,63 ,157)		CKSRYF105Z10	C 368 (B,78 ,180)	CHIP TZV CAPACITOR	VCH1260
C 216 (B,70 ,157)		CKSRYB102K50	C 369 (B,73 ,172)		CEVW101M16
C 217 (B,63 ,153)		CKSRYF105Z10	C 390 (A,108 ,228)		CKSRYF105Z10
C 220 (B,55 ,148)		CKSRYB103K50	C 391 (A,105 ,228)		CCSRCH331J50
C 221 (B,45 ,148)		CKSRYF105Z10	C 392 (B,111 ,110)		CCSRCH331J50
C 222 (B,49 ,148)		CKSRYF105Z10	C 393 (A,107 ,108)		CKSRYF105Z10
C 223 (B,37 ,150)		CKSRYB105K6R3	C 401 (B,94 ,198)	CHIP PV CAPACITOR	VCH1252
C 224 (B,38 ,148)		CKSRYB105K6R3	C 403 (A,94 ,81)	CHIP TZV CAPACITOR	VCH1260
C 225 (B,42 ,147)		CKSRYB103K50	C 404 (B,101 ,200)		CKSRYB103K50
C 226 (B,42 ,153)		CKSRYF105Z10	C 405 (A,104 ,60)	CHIP TZV CAPACITOR	VCH1260
C 227 (B,36 ,152)		CKSRYB104K16	C 407 (B,96 ,205)		CKSQYB225K10
C 230 (B,42 ,158)		CKSRYF105Z10	C 408 (B,113 ,23)		CKSQYB225K10
C 231 (B,39 ,156)		CKSRYB104K16	C 409 (B,103 ,205)		CKSRYF105Z10
C 232 (A,68 ,168)		CKSRYF105Z10	C 410 (A,104 ,78)		CKSRYF104Z25
C 233 (A,66 ,175)		CEVW101M16	C 411 (B,101 ,17)		CKSRYF105Z10
C 234 (A,71 ,163)		CKSRYB103K50	C 412 (B,101 ,15)		CKSRYB102K50
C 236 (B,42 ,166)		CKSRYF105Z10	C 413 (A,91 ,51)	CHIP PV CAPACITOR	VCH1252
C 237 (B,42 ,170)	CAPACITOR(TANTARIUM)	VCH1258	C 414 (A,99 ,51)		CEVW101M16
C 241 (A,77 ,160)		CCSRCH560J50	C 416 (A,92 ,44)		CKSQYB225K10

Mark No.	Description	Part No.	Mark No.	Description	Part No.
A	C 418 (A,102 ,45)	CKSRYF105Z10	C 607 (A,55 ,96)		CKSRYF105Z10
	C 419 (B,114 ,15)	CKSRYF105Z10	C 608 (A,42 ,118)		CKSRYF105Z10
	C 421 (A,101 ,110) CHIP PV CAPACITOR	VCH1246	C 609 (B,87 ,118)		CKSRYF104Z25
	C 422 (A,89 ,120)	CEVW101M16	C 610 (A,61 ,93)		CKSRYF105Z10
	C 426 (B,28 ,232)	CKSRYB103K50	C 613 (A,63 ,95)		CKSRYF105Z10
	C 427 (A,106 ,78)	CKSRYB102K50	C 614 (A,69 ,126)		CKSRYF105Z10
	C 428 (B,112 ,72)	CKSRYB102K50	C 615 (A,75 ,109)		CKSRYF105Z10
	C 434 (A,103 ,72) CHIP PV CAPACITOR	VCH1246	C 616 (A,74 ,122)		CKSRYF105Z10
	C 436 (A,93 ,61) CHIP PV CAPACITOR	VCH1252	C 617 (A,82 ,117)		CKSRYB102K50
	C 437 (A,103 ,85) CHIP PV CAPACITOR	VCH1246	C 618 (A,75 ,112)		CKSRYF105Z10
	C 438 (A,98 ,86)	CKSRYF105Z10	C 619 (B,85 ,112)		CKSRYB103K50
	C 439 (A,86 ,243) CHIP PV CAPACITOR	VCH1246	C 621 (B,62 ,128)		CKSRYF105Z10
	C 442 (A,97 ,239)	CKSRYF105Z10	C 622 (B,67 ,128)		CKSRYF105Z10
B	C 443 (A,97 ,246) CHIP ELECT.CAPACITOR	CEVW221M4	C 623 (A,43 ,123) CAPACITOR(TANTARIUM)	VCH1258	
	C 444 (A,11 ,190) CHIP PV CAPACITOR	VCH1246	C 625 (B,62 ,132) CAPACITOR(TANTARIUM)	VCH1258	
	C 446 (A,9 ,172) CHIP PV CAPACITOR	VCH1246	C 627 (A,78 ,131) CHIP TZV CAPACITOR	VCH1262	
	C 451 (A,14 ,102)	CKSRYF105Z10	C 657 (A,55 ,126)		CKSRYF105Z10
	C 455 (B,51 ,183)	CKSRYF105Z10	C 658 (A,58 ,126)		CKSRYF105Z10
	C 459 (B,68 ,170)	CKSRYF105Z10	C 662 (A,49 ,133)		CCSRCH100D50
	C 462 (A,33 ,121)	CKSRYF105Z10	C 701 (A,56 ,179) CAPACITOR(TANTARIUM)	VCH1258	
	C 464 (A,33 ,116)	CKSRYF105Z10	C 702 (A,59 ,147) CAPACITOR(TANTARIUM)	VCH1258	
	C 472 (A,103 ,127)	CKSRYF105Z10	C 703 (A,55 ,176)		CKSRYB102K50
	C 474 (A,86 ,131) CHIP PV CAPACITOR	VCH1246	C 704 (A,32 ,177)		CKSRYF105Z10
C	C 475 (A,102 ,132) CHIP ELECT.CAPACITOR	CEVW221M4	C 706 (A,39 ,177)		CKSRYF105Z10
	C 482 (A,21 ,105)	CKSRYF105Z10	C 707 (A,43 ,177)		CKSRYF105Z10
	C 483 (A,28 ,98) CAPACITOR(TANTARIUM)	VCH1258	C 708 (A,57 ,171)		CKSRYF105Z10
	C 484 (A,27 ,101)	CKSQYB225K10	C 709 (A,46 ,177)		CKSRYF105Z10
	C 485 (A,26 ,112)	CKSRYF105Z10	C 710 (A,52 ,176)		CKSRYF105Z10
	C 486 (A,32 ,100)	CCSRCH5R0C50	C 711 (A,60 ,176) CAPACITOR(TANTARIUM)	VCH1258	
	C 487 (A,32 ,106)	CCSRCH5R0C50	C 712 (A,20 ,170)		CKSRYF105Z10
	C 488 (A,18 ,107) CAPACITOR(TANTARIUM)	VCH1258	C 713 (A,20 ,173)		CKSRYF105Z10
	C 491 (A,9 ,135) CHIP PV CAPACITOR	VCH1246	C 714 (A,58 ,173)		CKSRYF105Z10
	C 493 (A,13 ,122)	CKSRYF105Z10	C 715 (A,20 ,166)		CKSRYF105Z10
D	C 494 (A,13 ,128)	CKSRYF105Z10	C 716 (A,56 ,163)		CKSRYF105Z10
	C 495 (A,27 ,126)	CKSRYF105Z10	C 718 (A,20 ,162)		CKSRYF105Z10
	C 496 (A,27 ,133)	CKSRYF105Z10	C 719 (A,56 ,158)		CKSRYF105Z10
	C 526 (A,80 ,222) CHIP TZV CAPACITOR	VCH1260	C 720 (A,20 ,155)		CKSRYF105Z10
	C 527 (A,79 ,228)	CKSRYF105Z10	C 721 (A,60 ,157)		CKSRYF105Z10
	C 528 (A,79 ,227)	CKSRYB102K50	C 722 (A,20 ,158)		CKSRYF105Z10
	C 533 (A,52 ,222) CHIP TZV CAPACITOR	VCH1260	C 723 (A,65 ,148)		CKSRYF104Z25
	C 534 (A,62 ,222) CHIP TZV CAPACITOR	VCH1260	C 724 (A,63 ,148)		CKSRYF105Z10
	C 535 (A,62 ,228) CAPACITOR(TANTARIUM)	VCH1258	C 725 (A,56 ,148)		CKSRYF105Z10
	C 536 (A,68 ,228)	CKSRYF105Z10	C 726 (A,21 ,143)		CKSRYF105Z10
	C 537 (A,52 ,229)	CKSRYF105Z10	C 727 (A,20 ,147)		CKSRYF105Z10
	C 538 (B,98 ,242)	CKSRYF105Z10	C 728 (A,57 ,143)		CKSRYF105Z10
E	C 552 (A,78 ,199) CAPACITOR(TANTARIUM)	VCH1258	C 729 (A,57 ,142)		CKSRYF105Z10
	C 553 (A,79 ,203)	CKSRYF105Z10	C 730 (A,26 ,140)		CKSRYF105Z10
	C 554 (A,78 ,215)	CKSRYF105Z10	C 731 (A,39 ,140)		CKSRYF105Z10
	C 556 (A,68 ,198)	CKSRYF105Z10	C 732 (A,46 ,140)		CKSRYF105Z10
	C 557 (A,68 ,201)	CKSRYB102K50	C 733 (A,51 ,140)		CKSRYB102K50
	C 558 (A,70 ,250)	CKSRYF105Z10	C 735 (A,27 ,177)		CKSRYF105Z10
	C 559 (A,68 ,250)	CKSRYB102K50	C 737 (A,17 ,148) CAPACITOR(TANTARIUM)	VCH1258	
	C 560 (A,65 ,250) CAPACITOR(TANTARIUM)	VCH1258	C 738 (A,18 ,141) CAPACITOR(TANTARIUM)	VCH1258	
	C 561 (A,65 ,244) CHIP PV CAPACITOR	VCH1252	C 739 (B,12 ,93) CAPACITOR(TANTARIUM)	VCH1258	
	C 601 (A,42 ,96) CHIP TZV CAPACITOR	VCH1262	C 740 (A,20 ,250)		CKSRYB104K16
	C 602 (A,46 ,95)	CKSRYF105Z10	C 741 (B,30 ,153)		CKSRYF105Z10
F	C 603 (A,43 ,110)	CKSRYF105Z10	C 742 (B,35 ,166)		CKSRYF105Z10
	C 604 (A,43 ,107)	CKSRYF105Z10	C 743 (B,35 ,169)		CKSRYF105Z10
	C 605 (A,48 ,95)	CKSRYF105Z10	C 744 (B,35 ,173)		CKSRYF105Z10
	C 606 (A,37 ,95)	CKSRYB102K50	C 745 (B,13 ,173) CAPACITOR(TANTARIUM)	VCH1258	

<u>Mark No.</u>	<u>Description</u>	<u>Part No.</u>	<u>Mark No.</u>	<u>Description</u>	<u>Part No.</u>
C 746 (B,18 ,166)		CKSRYF105Z10	C 820 (B,54 ,36)		CKSRYB104K16
C 747 (B,18 ,171)		CKSRYF105Z10	C 821 (A,47 ,40)		CKSRYF104Z25
C 748 (B,16 ,172)		CKSRYB102K50	C 822 (A,48 ,40)		CKSRYB102K50
C 749 (A,23 ,250)		CKSRYB105K6R3	C 823 (A,47 ,45)		CKSRYF105Z10
C 750 (A,27 ,250)		CKSRYB102K50	C 824 (A,51 ,56)		CKSRYF104Z25
C 751 (B,51 ,127) CAPACITOR(TANTARIUM)	VCH1258		C 825 (A,43 ,57)		CKSRYF105Z10
C 752 (B,15 ,130) CAPACITOR(TANTARIUM)	VCH1258		C 826 (B,48 ,93) CAPACITOR(TANTARIUM)		VCH1258
C 753 (B,41 ,129)		CKSRYF105Z10	C 827 (B,41 ,91)		CKSRYF105Z10
C 754 (B,38 ,129)		CKSRYF105Z10	C 828 (B,13 ,37)		CKSRYF105Z10
C 755 (B,28 ,129)		CKSRYF105Z10	C 829 (B,11 ,39) CAPACITOR(TANTARIUM)		VCH1258
C 756 (B,25 ,129)		CKSRYF105Z10	C 830 (B,16 ,41)		CKSRYF105Z10
C 757 (B,13 ,125)		CKSRYF105Z10	C 831 (B,19 ,30)		CKSRYF105Z10
C 758 (B,13 ,122)		CKSRYF105Z10	C 832 (B,19 ,42)		CKSRYB103K50
C 759 (B,50 ,120)		CKSRYF105Z10	C 833 (A,24 ,37) CAPACITOR(TANTARIUM)		VCH1258
C 760 (B,50 ,116)		CKSRYF105Z10	C 834 (A,11 ,47)		CKSRYB105K6R3
C 761 (B,14 ,115)		CKSRYF105Z10	C 835 (A,8 ,51)		CKSRYB105K6R3
C 762 (B,14 ,112)		CKSRYF105Z10	C 836 (A,8 ,48)		CKSRYB683K16
C 763 (B,50 ,112)		CKSRYF105Z10	C 837 (A,15 ,50)		CKSRYF105Z10
C 764 (B,50 ,109)		CKSRYF105Z10	C 838 (A,11 ,58) CHIP ELECT.CAPACITOR		CEVW221M4
C 765 (B,14 ,108)		CKSRYF105Z10	C 839 (A,36 ,81)		CKSRYF105Z10
C 767 (B,8 ,144)		CKSRYF105Z10	C 840 (A,21 ,93)		CKSRYF105Z10
C 769 (B,50 ,105)		CKSRYF105Z10	C 841 (A,15 ,82)		CKSRYF105Z10
C 770 (B,50 ,102)		CKSRYF105Z10	C 842 (A,10 ,71) CAPACITOR(TANTARIUM)		VCH1258
C 771 (B,13 ,103)		CKSRYF105Z10	C 843 (A,18 ,20)		CKSRYF105Z10
C 772 (B,13 ,99)		CKSRYF105Z10	C 844 (A,24 ,25)		CKSRYB103K50
C 773 (B,44 ,93)		CKSRYF105Z10	C 845 (A,51 ,23)		CKSRYF105Z10
C 774 (B,41 ,93)		CKSRYF105Z10	C 846 (A,34 ,23)		CKSRYF105Z10
C 775 (B,37 ,93)		CKSRYF105Z10	C 847 (A,47 ,23)		CCSRCH221J50
C 776 (B,33 ,93)		CKSRYF105Z10	C 848 (A,29 ,23)		CCSRCH221J50
C 777 (B,28 ,93)		CKSRYF105Z10	C 849 (B,42 ,27)		CKSRYF104Z25
C 778 (B,25 ,93)		CKSRYF105Z10	C 850 (B,43 ,27)		CKSRYF104Z25
C 779 (B,20 ,93)		CKSRYF105Z10	C 856 (A,13 ,97) CAPACITOR(TANTARIUM)		VCH1258
C 780 (B,17 ,93)		CKSRYF105Z10	C 857 (A,20 ,28)		CKSRYF104Z25
C 781 (B,9 ,69) CAPACITOR(TANTARIUM)	VCH1258		C 901 (B,86 ,51)		CKSRYF105Z10
C 782 (B,11 ,72)		CKSRYF105Z10	C 903 (B,57 ,61)		CKSRYF105Z10
C 783 (B,20 ,72)		CKSRYF105Z10	C 904 (B,59 ,58) CAPACITOR(TANTARIUM)		VCH1258
C 784 (B,16 ,72)		CKSRYF105Z10	C 905 (B,72 ,60)		CKSRYF105Z10
C 785 (B,7 ,88)		CKSRYF105Z10	C 906 (B,69 ,60)		CKSRYF105Z10
C 786 (B,11 ,88)		CKSRYF105Z10	C 907 (B,87 ,73)		CKSRYF105Z10
C 787 (B,15 ,88)		CKSRYF105Z10	C 908 (B,81 ,57)		CKSRYF105Z10
C 788 (B,18 ,88)		CKSRYF105Z10	C 909 (B,88 ,78)		CKSRYF105Z10
C 789 (B,30 ,88)		CKSRYF105Z10	C 910 (B,88 ,73)		CKSRYF105Z10
C 791 (B,34 ,134)		CKSRYF105Z10	C 911 (B,52 ,87) CAPACITOR(TANTARIUM)		VCH1258
C 797 (B,28 ,138)		CKSRYF105Z10	C 912 (B,52 ,90)		CKSRYF105Z10
C 801 (B,48 ,44)		CKSRYF105Z10	C 913 (B,87 ,78)		CKSRYF105Z10
C 802 (A,26 ,59)		CKSRYF105Z10	C 914 (B,66 ,90)		CKSRYF105Z10
C 803 (A,23 ,60) CAPACITOR(TANTARIUM)	VCH1258		C 915 (B,74 ,60)		CKSRYF105Z10
C 804 (A,30 ,56)		CKSRYF105Z10	C 916 (B,61 ,79)		CKSRYF105Z10
C 805 (B,37 ,51)		CKSRYF104Z25	C 917 (B,59 ,76)		CKSRYF105Z10
C 806 (A,35 ,56)		CKSRYF105Z10	C 918 (B,65 ,93)		CKSRYF105Z10
C 807 (A,30 ,58)		CKSRYF105Z10	C 919 (B,72 ,102) CAPACITOR(TANTARIUM)		VCH1258
C 808 (A,27 ,54)		CKSRYF105Z10	C 920 (B,59 ,73)		CKSRYF105Z10
C 809 (A,18 ,45)		CKSRYF104Z25	C 921 (B,59 ,70)		CKSRYF105Z10
C 810 (A,26 ,46)		CKSRYF105Z10	C 922 (B,59 ,67)		CKSRYF105Z10
C 812 (A,27 ,40)		CKSRYF105Z10	C 923 (B,59 ,63)		CKSRYF105Z10
C 813 (A,33 ,35)		CKSRYF105Z10	C 924 (B,89 ,69)		CKSRYF105Z10
C 814 (A,44 ,37)		CKSRYF105Z10	C 925 (B,87 ,63)		CKSRYF105Z10
C 815 (A,45 ,34) CAPACITOR(TANTARIUM)	VCH1258		C 926 (B,78 ,59)		CKSRYF105Z10
C 816 (A,50 ,38)		CKSRYF105Z10	C 927 (B,74 ,58)		CKSRYF105Z10
C 817 (B,45 ,39) CAPACITOR(TANTARIUM)	VCH1258		C 928 (B,72 ,58)		CKSRYF105Z10

Mark No.	Description	Part No.	Mark No.	Description	Part No.
A	C 929 (B,69 ,58)	CKSRYF105Z10	C 1010(A,85 ,77)		CKSRYF105Z10
	C 930 (B,93 ,59) CAPACITOR(TANTARIUM)	VCH1258	C 1011(A,80 ,76)		CKSRYF105Z10
	C 931 (B,94 ,40)	CKSRYF105Z10	C 1012(A,79 ,73)		CKSRYF105Z10
	C 932 (B,96 ,38) CAPACITOR(TANTARIUM)	VCH1258	C 1013(A,67 ,63)		CKSRYF105Z10
	C 933 (B,66 ,51)	CKSRYF105Z10	C 1014(A,63 ,63)		CKSRYF105Z10
	C 934 (A,93 ,36)	CKSRYF105Z10	C 1017(A,55 ,69)		CKSRYF105Z10
	C 935 (B,69 ,51)	CKSRYF105Z10	C 1018(A,55 ,74)		CKSRYF105Z10
	C 936 (A,93 ,34)	CKSRYF105Z10	C 1019(A,55 ,78)		CKSRYF105Z10
	C 937 (B,72 ,51)	CKSRYF105Z10	C 1020(A,67 ,86)		CKSRYF105Z10
	C 939 (B,89 ,51)	CKSRYF105Z10	C 1021(A,70 ,86)		CKSRYF105Z10
	C 941 (A,106 ,53)	CCSRCH331J50	C 1022(A,79 ,66)		CKSRYF105Z10
	C 942 (A,107 ,39)	CCSRCH331J50	C 1051(A,83 ,50) CAPACITOR(TANTARIUM)	VCH1258	
	C 943 (B,101 ,255)	CCSRCH331J50	C 1052(A,80 ,53)		CKSRYF105Z10
B	C 944 (B,51 ,255)	CCSRCH331J50	C 1053(A,80 ,49)		CKSRYF105Z10
	C 945 (A,107 ,46)	CCSRCH331J50	C 1054(A,80 ,46)		CKSRYF105Z10
	C 946 (B,111 ,33)	CCSRCH331J50	C 1055(A,77 ,35)		CKSRYF105Z10
	C 947 (A,106 ,50)	CCSRCH331J50	C 1056(A,69 ,35)		CKSRYF105Z10
	C 948 (A,106 ,33)	CCSRCH331J50	C 1057(A,73 ,35)		CKSRYF105Z10
	C 949 (B,74 ,51)	CKSRYF105Z10	C 1058(A,62 ,38)		CKSRYF105Z10
	C 951 (B,92 ,51)	CKSRYF105Z10	C 1059(A,70 ,54)		CKSRYF105Z10
	C 957 (B,89 ,34)	CKSRYF105Z10	C 1060(A,62 ,50)		CKSRYF105Z10
	C 958 (B,83 ,51)	CKSRYF105Z10	C 1061(A,61 ,42)		CKSRYF105Z10
	C 959 (B,86 ,34)	CKSRYF105Z10	C 1066(A,62 ,22)		CKSRYF105Z10
C	C 960 (B,74 ,34)	CKSRYF105Z10	C 1067(A,85 ,33) CAPACITOR(TANTARIUM)	VCH1258	
	C 961 (B,70 ,34)	CKSRYF105Z10	C 1068(A,73 ,34)		CKSRYB102K50
	C 963 (B,61 ,63)	CKSRYF105Z10	C 1069(A,69 ,34)		CKSRYB102K50
	C 964 (B,61 ,67)	CKSRYF105Z10	C 1070(B,81 ,24)		CKSRYF104Z25
	C 965 (B,61 ,70)	CKSRYF105Z10	C 1071(B,81 ,25)		CKSRYF104Z25
	C 966 (B,61 ,73)	CKSRYF105Z10	C 1073(A,80 ,43)		CKSRYF105Z10
	C 967 (B,61 ,76)	CKSRYF105Z10	C 1074(A,67 ,54)		CKSRYF105Z10
	C 968 (B,59 ,79)	CKSRYF105Z10	C 1075(A,60 ,54)		CKSRYF105Z10
	C 971 (B,69 ,89)	CKSRYF105Z10	C 1076(A,59 ,61) CAPACITOR(TANTARIUM)	VCH1258	
	C 972 (B,73 ,94)	CKSRYB105K6R3	C 1078(A,61 ,43)		CKSRYF105Z10
	C 973 (B,97 ,84)	CKSRYB105K6R3	C 1101(B,53 ,226) CAPACITOR(TANTARIUM)	VCH1258	
D	C 974 (B,100 ,84) CAPACITOR(TANTARIUM)	VCH1258	C 1103(B,81 ,223)		CKSRYF105Z10
	C 975 (B,73 ,92)	CKSRYB105K6R3	C 1104(B,81 ,220)		CKSRYF105Z10
	C 976 (B,75 ,88)	CKSRYB105K6R3	C 1105(B,81 ,217)		CKSRYF105Z10
	C 977 (B,78 ,89)	CKSRYB105K6R3	C 1106(B,81 ,213)		CKSRYF105Z10
	C 978 (B,81 ,89)	CKSRYB105K6R3	C 1107(B,72 ,203)		CKSRYF105Z10
	C 979 (B,85 ,90)	CKSRYB105K6R3	C 1108(B,68 ,203)		CKSRYF105Z10
	C 980 (B,88 ,89)	CKSRYB105K6R3	C 1109(B,66 ,201)		CKSRYF105Z10
	C 981 (B,98 ,108)	CEVW101M16	C 1110(B,63 ,203)		CKSRYF105Z10
	C 982 (B,92 ,97)	CKSRYF105Z10	C 1111(B,54 ,206)		CKSRYF105Z10
	C 983 (B,88 ,94)	CKSRYF105Z10	C 1112(B,54 ,210)		CKSRYB473K50
	C 986 (B,92 ,89)	CKSRYB105K6R3	C 1113(B,53 ,213)		CKSRYF105Z10
E	C 987 (B,92 ,83)	CKSRYB105K6R3	C 1114(B,53 ,210)		CKSRYB103K50
	C 988 (B,95 ,80)	CKSRYB105K6R3	C 1115(B,48 ,210) CAPACITOR(TANTARIUM)	VCH1258	
	C 989 (B,93 ,83)	CKSRYB102K50	C 1116(B,51 ,210)		CKSRYF105Z10
	C 990 (B,90 ,80)	CKSRYB102K50	C 1117(B,45 ,213)		CKSRYF105Z10
	C 991 (B,88 ,80)	CKSRYB105K6R3	C 1118(B,51 ,219)		CKSRYF105Z10
	C 992 (B,88 ,69)	CKSRYF105Z10	C 1119(B,54 ,219)		CKSRYF105Z10
	C 993 (B,88 ,63)	CKSRYF105Z10	C 1120(B,54 ,223)		CKSRYF105Z10
	C 1001(A,66 ,91) CAPACITOR(TANTARIUM)	VCH1258	C 1121(B,58 ,229)		CKSRYF105Z10
	C 1002(A,67 ,88)	CKSRYF105Z10	C 1122(B,61 ,229)		CKSRYF105Z10
	C 1003(A,75 ,93) CAPACITOR(TANTARIUM)	VCH1258	C 1123(B,64 ,229)		CKSRYF105Z10
	C 1004(A,81 ,90)	CKSRYF105Z10	C 1124(B,68 ,229)		CKSRYF105Z10
F	C 1005(A,76 ,90)	CKSRYF105Z10	C 1125(B,71 ,229)		CKSRYF105Z10
	C 1006(A,80 ,81)	CKSRYF105Z10	C 1126(B,74 ,229)		CKSRYF105Z10
	C 1007(A,83 ,81)	CKSRYF105Z10	C 1127(B,85 ,202)		CKSRYF105Z10
	C 1009(A,85 ,83)	CKSRYB334K10	C 1128(B,49 ,193)		CKSRYF105Z10

Mark No.	Description	Part No.
C 1129(B,82 ,218)		CKSRYF105Z10
C 1130(B,89 ,227)	CAPACITOR(TANTARIUM)	VCH1258
C 1131(B,48 ,187)	CAPACITOR(TANTARIUM)	VCH1258
C 1132(B,45 ,185)		CKSRYF105Z10
C 1133(B,42 ,183)		CKSRYF105Z10
C 1134(B,37 ,183)		CKSRYF105Z10
C 1135(B,33 ,183)		CKSRYF105Z10
C 1136(B,25 ,183)		CKSRYF105Z10
C 1137(B,32 ,199)		CKSRYF105Z10
C 1138(B,39 ,199)		CKSRYF105Z10
C 1140(A,28 ,182)		CKSRYF105Z10
C 1143(A,30 ,185)		CKSRYF105Z10
C 1146(A,25 ,188)		CKSRYF105Z10
C 1147(A,29 ,188)		CKSRYF105Z10
C 1148(A,32 ,188)		CKSRYF105Z10
C 1149(A,37 ,188)		CKSRYF105Z10
C 1152(A,49 ,194)		CKSRYF105Z10
C 1155(A,49 ,200)		CKSRYF105Z10
C 1156(A,52 ,201)	CAPACITOR(TANTARIUM)	VCH1258
C 1157(A,49 ,209)		CKSRYF105Z10
C 1158(A,44 ,219)		CKSRYF105Z10
C 1159(A,41 ,219)		CKSRYF105Z10
C 1160(A,34 ,219)		CKSRYF105Z10
C 1161(A,30 ,219)		CKSRYF105Z10
C 1162(A,23 ,220)		CKSRYF105Z10
C 1163(A,20 ,220)	CAPACITOR(TANTARIUM)	VCH1258
C 1164(A,26 ,219)		CKSRYF105Z10
C 1165(A,41 ,221)		CKSRYF105Z10
C 1166(A,44 ,224)	CAPACITOR(TANTARIUM)	VCH1258
C 1167(A,14 ,216)	CAPACITOR(TANTARIUM)	VCH1258
C 1168(A,17 ,215)		CKSRYB102K50
C 1169(A,18 ,215)		CKSRYF105Z10
C 1170(A,18 ,208)		CKSRYF105Z10
C 1172(A,18 ,205)		CKSRYF105Z10
C 1173(A,18 ,198)		CKSRYF105Z10
C 1175(A,19 ,191)		CKSRYB103K50
C 1176(A,16 ,197)		CKSRYF105Z10

B VJKB ASSY MISCELLANEOUS

⚠ IC 4101(A,67 ,163)	REGULATOR IC (5.0V)	MM1565AF
IC 4302(B,55 ,64)	DVD VIDEO AMP	LA73054
Q 4301(A,33 ,145)	TRANSISTOR	UMD3N
Q 4302(A,33 ,137)	TRANSISTOR	UMD3N
Q 4303(A,88 ,104)	TRANSISTOR	UMD3N
Q 4304(B,75 ,54)	TRANSISTOR	2SA1576A
Q 4305(B,74 ,69)	TRANSISTOR	2SA1576A
Q 4306(B,70 ,70)	TRANSISTOR	2SA1576A
D 4101(B,67 ,149)	CHIP DIODE	RB501V-40
D 4201(B,28 ,167)	DIODE	1SS355
D 4301(A,88 ,108)	DIODE	DAN202K
L 4401(B,31 ,57)	CHIP BEADS	VTL1089
L 4402(B,31 ,41)	CHIP BEADS	VTL1089
F 4301(A,82 ,64)	12MHZ LPF(VIDEO)	VTF1175
F 4302(A,82 ,87)	12MHZ LPF(VIDEO)	VTF1175
F 4303(A,72 ,91)	12MHZ LPF(VIDEO)	VTF1175
JA4201(A,16 ,150)	JACK	RKN1004
JA4202(A,16 ,160)	JACK	RKN1004
JA4401(A,14 ,128)	JACK	VKB1135

Mark No.	Description	Part No.
JA4403(A,14 ,59)	JACK	VKB1151
KN4101(A,78 ,177)	WRAPPING TERMINAL	VNF1084
KN4102(A,27 ,173)	WRAPPING TERMINAL	VNF1084
KN4103(A,22 ,12)	WRAPPING TERMINAL	VNF1084
KN4104(A,88 ,9)	WRAPPING TERMINAL	VNF1084
CN4101(A,47 ,168)	23P CONNECTOR	VKN1427
CN4402(A,14 ,97)	SOCKET PCB BINDER	AKP7023 VEF1040

RESISTORS

R 4101(A,59 ,161)		RS1/10S0R0J
R 4102(B,54 ,167)		RS1/16S223J
R 4103(B,57 ,168)		RS1/16S103J
R 4104(A,55 ,153)		RS1/10S0R0J
R 4105(A,53 ,148)		RS1/10S0R0J
R 4106(A,51 ,142)		RS1/10S0R0J
R 4201(B,30 ,164)		RS1/16S0R0J
R 4204(B,24 ,145)		RS1/16S0R0J
R 4207(B,24 ,167)		RS1/16S0R0J
R 4301(A,86 ,105)		RS1/16S103J
R 4302(A,60 ,88)		RS1/10S0R0J
R 4305(B,43 ,85)		RS1/16S0R0J
R 4306(B,41 ,77)		RS1/16S0R0J
R 4307(B,37 ,76)		RS1/16S0R0J
R 4308(B,39 ,67)		RS1/16S0R0J
R 4309(B,40 ,61)		RS1/16S0R0J
R 4310(B,36 ,49)		RS1/16S0R0J
R 4311(A,32 ,142)		RS1/16S152J
R 4312(A,30 ,142)		RS1/16S102J
R 4318(B,85 ,72)		RS1/16S3000D
R 4319(B,77 ,49)		RS1/16S0R0J
R 4320(B,75 ,56)		RS1/16S182J
R 4323(B,80 ,51)		RS1/16S2202F
R 4325(B,74 ,93)		RS1/16S3000D
R 4326(B,75 ,65)		RS1/16S182J
R 4328(B,81 ,73)		RS1/16S2202F
R 4330(B,81 ,68)		RS1/16S0R0J
R 4332(B,68 ,90)		RS1/16S3000D
R 4333(B,68 ,74)		RS1/16S182J
R 4334(B,73 ,77)		RS1/16S2202F
R 4336(B,72 ,74)		RS1/16S0R0J
R 4401(B,24 ,133)		RS1/10S75R0F
R 4402(B,25 ,120)		RS1/10S75R0F
R 4403(B,28 ,101)		RS1/10S75R0F
R 4404(B,30 ,108)		RS1/10S75R0F
R 4405(B,33 ,111)		RS1/16S103J
R 4406(B,29 ,87)		RS1/10S75R0F
R 4407(B,31 ,92)		RS1/10S75R0F
R 4408(B,34 ,91)		RS1/16S103J
R 4409(B,31 ,69)		RS1/10S1R8J
R 4410(B,28 ,56)		RS1/10S1R0J
R 4412(B,29 ,41)		RS1/10S1R0J
R 4414(B,26 ,71)	CHIP RESISTOR	RS1/10S68R0D
R 4415(B,26 ,59)	CHIP RESISTOR	RS1/10S68R0D
R 4416(B,26 ,44)	CHIP RESISTOR	RS1/10S68R0D

CAPACITORS

C 4107(A,59 ,154)		CEAT101M16
C 4108(A,65 ,158)		CKSQYF105Z25

Mark No.	Description	Part No.	Mark No.	Description	Part No.
A	C 4109(A,70,146)	CEAT221M6R3	IC 3601(A,183,60)	IC	TC74VHCU04FT
	C 4110(A,69,156)	CKSQYB225K10	Q 3351(B,119,51)	TRANSISTOR	2SD2114K
	C 4112(B,59,168)	CKSRYB102K50	Q 3352(A,132,35)	TRANSISTOR	2SD2114K
	C 4201(B,23,155)	CCSRCH470J50	Q 3361(B,128,51)	TRANSISTOR	2SD2114K
	C 4202(B,26,145)	CCSRCH470J50	Q 3362(B,128,38)	TRANSISTOR	2SD2114K
	C 4206(B,21,167)	CKSRYF105Z10	Q 3371(A,105,67)	CHIP TRANSISTOR	UMH9N
	C 4303(B,53,93)	CKSRYB104K16	Q 3372(A,104,62)	TRANSISTOR	2SA1576A
	C 4304(A,60,84) ELECT. CAPACITOR	CEHAZA471M6R3	Q 3381(B,105,67)	CHIP TRANSISTOR	UMH9N
	C 4305(B,59,74)	CKSQYF104Z25	Q 3382(B,104,62)	TRANSISTOR	2SA1576A
	C 4306(B,48,73)	CKSRYF105Z10	Q 3451(B,143,37)	TRANSISTOR	2SD2114K
	C 4307(B,53,97)	CKSRYB104K16	Q 3461(B,135,37)	TRANSISTOR	2SD2114K
	C 4308(B,53,100)	CKSRYB104K16	Q 3471(A,147,58)	CHIP TRANSISTOR	UMH9N
B	C 4309(B,68,65)	CKSRYB104K16	Q 3472(A,144,40)	TRANSISTOR	2SA1576A
	C 4311(B,39,64)	CKSRYF105Z10	Q 3551(B,157,36)	TRANSISTOR	2SD2114K
	C 4312(B,68,61)	CKSRYB104K16	Q 3561(B,150,36)	TRANSISTOR	2SD2114K
	C 4313(B,68,58)	CKSRYB104K16	Q 3571(B,153,58)	CHIP TRANSISTOR	UMH9N
	C 4314(A,60,52) ELECT. CAPACITOR	CEHAZA471M6R3	Q 3572(B,151,54)	TRANSISTOR	2SA1576A
	C 4315(B,62,55)	CKSQYF105Z16	L 3601(A,179,48)	COIL	VTL1172
	C 4316(A,31,135)	CKSRYF105Z10	L 3602(A,179,36)	COIL	PTL1017
	C 4317(B,75,59)	CKSRYF104Z25	F 3301(B,127,181)	CHIP BEADS	DTF1070
	C 4318(B,82,51)	CCSRCH100D50	F 3302(B,143,164)	CHIP BEADS	DTF1070
	C 4319(B,75,63)	CKSRYF104Z25	F 3401(A,177,128)	CHIP BEADS	DTF1070
	C 4320(B,81,75)	CCSRCH100D50	F 3402(A,185,125)	CHIP BEADS	DTF1070
C	C 4321(B,68,78)	CKSRYF104Z25	F 3501(B,154,208)	CHIP BEADS	DTF1070
	C 4322(B,74,74)	CCSRCH100D50	F 3502(B,142,175)	CHIP BEADS	DTF1070
	C 4324(A,32,89)	CKSRYB102K50	F 3601(B,172,36)	CHIP MAGNET CORE	DTF1068
	C 4325(A,79,58)	CCSRCH4R0C50	F 3602(B,170,36)	CHIP BEADS	DTF1070
	C 4326(A,79,82)	CCSRCH4R0C50	F 3651CHIP BEADS	DTF1070	
	C 4327(A,69,84)	CCSRCH4R0C50	JA3301(A,107,19)	PIN JACK(2P)	AKB7104
	C 4328(A,79,64)	CCSRCH7R0D50	JA3401(A,139,19)	JACK	VKB1229
	C 4329(A,79,87)	CCSRCH7R0D50	JA3601(A,170,19)	PIN JACK(1P)	AKB7102
	C 4330(A,69,90)	CCSRCH7R0D50	JA3602(A,186,19)	OPT. LINK OUT	VKS1002
	C 4401(A,36,124) ELECT. CAPACITOR	CEAT102M6R3	KN3101(A,109,197)	WRAPPING TERMINAL	VNF1084
	C 4403(A,36,115) ELECT. CAPACITOR	CEAT102M6R3	KN3102(A,184,189)	WRAPPING TERMINAL	VNF1084
D	C 4405(A,37,103) ELECT. CAPACITOR	CEAT102M6R3	CN3101(A,166,221)	31P CONNECTOR	VKN1517
	C 4406(B,35,108)	CKSRYF104Z25	CN3102(A,179,145)	CONNECTOR	B6B-EH
	C 4408(A,37,81) ELECT. CAPACITOR	CEAT102M6R3	PCB BINDER	VEF1040	
	C 4409(B,34,93)	CKSRYF104Z25			
	C 4413(A,37,73) ELECT. CAPACITOR	CEAT102M6R3			
	C 4414(A,36,61) ELECT. CAPACITOR	CEAT471M6R3			
	C 4417(A,36,45) ELECT. CAPACITOR	CEAT471M6R3			

RESISTORS

C AJKB ASSY MISCELLANEOUS

E	IC 3201(A,155,212) IC	TC7SH08FUS1	R 3101(B,140,71)	RS1/16S0R0J
	IC 3301(A,123,165) D/A CONVERTER IC	PCM1738EG-3	R 3102(A,157,125) METAL OXIDE RESISTOR	RS3LMF181J
	IC 3311(A,115,132) IC	OPA2134PA	R 3103(A,151,125) METAL OXIDE RESISTOR	RS3LMF181J
	IC 3321(A,140,132) IC	OPA2134PA	R 3110(A,185,222)	RS1/16S470J
	IC 3331(A,128,85) IC	OPA2134PA	R 3111(A,179,216)	RS1/16S0R0J
	IC 3401(A,167,114) D/A CONVERTER IC	PCM1738EG-3	R 3112(A,178,213)	RS1/16S0R0J
	IC 3402(B,154,106) IC	TC7SH08FUS1	R 3113(A,177,216)	RS1/16S0R0J
	IC 3411(B,177,93) OP-AMP IC	NJM5532MD	R 3114(A,176,213)	RS1/16S0R0J
	IC 3421(B,158,93) OP-AMP IC	NJM5532MD	R 3115(A,175,216)	RS1/16S0R0J
	IC 3431(B,167,70) OP-AMP IC	NJM5532MD	R 3116(A,174,213)	RS1/16S220J
	IC 3501(A,162,196) D/A CONVERTER IC	PCM1738EG-3	R 3117(A,173,216)	RS1/16S0R0J
F	IC 3502(B,145,204) IC	TC7SH08FUS1	R 3118(A,149,216)	RS1/16S0R0J
	IC 3511(B,172,179) OP-AMP IC	NJM5532MD	R 3121(A,172,213)	RS1/16S220J
	IC 3521(B,153,179) OP-AMP IC	NJM5532MD	R 3122(A,170,216)	RS1/16S470J
	IC 3531(B,162,156) OP-AMP IC	NJM5532MD	R 3123(A,168,216)	RS1/16S220J
			R 3124(A,166,216)	RS1/16S220J
			R 3125(A,164,216)	RS1/16S470J
			R 3126(A,162,216)	RS1/16S220J
			R 3127(A,160,216)	RS1/16S220J
			R 3128(A,158,216)	RS1/16S470J

<u>Mark No.</u>	<u>Description</u>	<u>Part No.</u>	<u>Mark No.</u>	<u>Description</u>	<u>Part No.</u>
R 3129(A,156 ,216)		RS1/16S220J	R 3441(B,158 ,76)		RN1/16SE1201D
R 3130(A,154 ,216)		RS1/16S220J	R 3442(B,161 ,82)		RN1/16SE1201D
R 3131(A,152 ,216)		RS1/16S0R0J	R 3443(B,157 ,68)		RN1/16SE1201D
R 3202(A,153 ,212)		RS1/16S0R0J	R 3444(B,157 ,72)	CHIP METAL FILM R	RN1/16SE1801D
R 3203(A,149 ,211)		RS1/16S470J	R 3445(B,160 ,72)	CHIP METAL FILM R	RN1/16SE1801D
R 3302(A,117 ,190)		RS1/16S220J	R 3446(B,165 ,82)		RN1/16SE1201D
R 3303(A,115 ,190)		RS1/16S220J	R 3447(B,165 ,62)		RS1/16S223J
R 3304(A,123 ,158)	CARBON FILM RESISTOR	VCN1141	R 3451(B,151 ,43)		RS1/16S221J
R 3313(A,103 ,143)	CARBON FILM RESISTOR	VCN1140	R 3452(B,142 ,34)		RS1/16S221J
R 3314(A,119 ,143)	CARBON FILM RESISTOR	VCN1140	R 3453(A,144 ,37)		RS1/16S102J
R 3323(A,128 ,143)	CARBON FILM RESISTOR	VCN1140	R 3461(B,151 ,46)		RS1/16S221J
R 3324(A,144 ,143)	CARBON FILM RESISTOR	VCN1140	R 3462(B,136 ,34)		RS1/16S221J
R 3331(A,108 ,115)	CARBON FILM RESISTOR	VCN1138	R 3463(A,141 ,37)		RS1/16S102J
R 3332(A,116 ,115)	CARBON FILM RESISTOR	VCN1138	R 3471(A,148 ,75)		RS1/16S102J
R 3333(A,104 ,93)	CARBON FILM RESISTOR	VCN1138	R 3472(A,148 ,68)		RS1/16S472J
R 3334(A,107 ,93)	CARBON FILM RESISTOR	VCN1139	R 3473(A,144 ,57)		RS1/16S332J
R 3335(A,113 ,104)	CARBON FILM RESISTOR	VCN1139	R 3474(A,147 ,37)		RS1/16S103J
R 3336(A,120 ,115)	CARBON FILM RESISTOR	VCN1138	R 3501(B,158 ,189)		RN1/16SE1602D
R 3337(A,118 ,47)	CARBON FILM RESISTOR	VCN1136	R 3502(A,165 ,205)		RS1/16S0R0J
R 3341(A,139 ,115)	CARBON FILM RESISTOR	VCN1138	R 3503(A,162 ,205)		RS1/16S0R0J
R 3342(A,131 ,115)	CARBON FILM RESISTOR	VCN1138	R 3513(B,165 ,177)		RN1/16SE6200D
R 3343(A,143 ,93)	CARBON FILM RESISTOR	VCN1138	R 3514(B,179 ,177)		RN1/16SE6200D
R 3344(A,140 ,93)	CARBON FILM RESISTOR	VCN1139	R 3523(B,146 ,177)		RN1/16SE6200D
R 3345(A,134 ,104)	CARBON FILM RESISTOR	VCN1139	R 3524(B,160 ,177)		RN1/16SE6200D
R 3346(A,127 ,105)	CARBON FILM RESISTOR	VCN1138	R 3531(B,171 ,161)		RS1/16S122J
R 3347(A,129 ,57)	CARBON FILM RESISTOR	VCN1136	R 3532(B,168 ,167)		RS1/16S122J
R 3351(A,113 ,57)	CARBON FILM RESISTOR	VCN1137	R 3533(B,172 ,153)		RS1/16S122J
R 3352(A,135 ,35)		RS1/16S221J	R 3534(B,172 ,157)	CHIP METAL FILM R	RN1/16SE1801D
R 3354(A,120 ,44)	CARBON FILM RESISTOR	VCN1137	R 3535(B,169 ,157)	CHIP METAL FILM R	RN1/16SE1801D
R 3355(B,131 ,34)		RS1/16S221J	R 3536(B,164 ,168)		RS1/16S122J
R 3356(A,116 ,51)		RS1/16S102J	R 3537(B,167 ,50)		RS1/16S223J
R 3357(A,136 ,46)		RS1/16S102J	R 3541(B,153 ,161)		RS1/16S122J
R 3361(A,134 ,57)	CARBON FILM RESISTOR	VCN1137	R 3542(B,156 ,168)		RS1/16S122J
R 3362(A,129 ,37)		RS1/16S221J	R 3543(B,152 ,153)		RS1/16S122J
R 3364(A,136 ,44)	CARBON FILM RESISTOR	VCN1137	R 3544(B,152 ,157)	CHIP METAL FILM R	RN1/16SE1801D
R 3365(B,124 ,34)		RS1/16S221J	R 3545(B,155 ,157)	CHIP METAL FILM R	RN1/16SE1801D
R 3366(A,127 ,47)		RS1/16S102J	R 3546(B,160 ,167)		RS1/16S122J
R 3367(A,116 ,46)		RS1/16S102J	R 3547(B,163 ,50)		RS1/16S223J
R 3371(A,107 ,71)		RS1/16S102J	R 3551(B,164 ,37)		RS1/16S221J
R 3372(A,105 ,71)		RS1/16S472J	R 3552(B,156 ,29)		RS1/16S221J
R 3373(A,109 ,71)		RS1/16S332J	R 3553(A,160 ,42)		RS1/16S102J
R 3374(A,102 ,67)		RS1/16S103J	R 3561(B,159 ,41)		RS1/16S221J
R 3381(B,108 ,71)		RS1/16S102J	R 3562(B,150 ,29)		RS1/16S221J
R 3382(B,106 ,71)		RS1/16S472J	R 3563(A,158 ,42)		RS1/16S102J
R 3383(B,110 ,66)		RS1/16S332J	R 3571(B,153 ,62)		RS1/16S102J
R 3384(B,102 ,66)		RS1/16S103J	R 3572(B,151 ,62)		RS1/16S472J
R 3401(B,168 ,100)		RN1/16SE1602D	R 3573(B,146 ,65)		RS1/16S332J
R 3402(A,171 ,121)		RS1/16S220J	R 3574(B,149 ,62)		RS1/16S103J
R 3403(A,171 ,123)		RS1/16S220J	R 3601(A,188 ,75)		RS1/16S0R0J
R 3413(B,170 ,91)		RN1/16SE6200D	R 3602(A,178 ,60)		RS1/16S0R0J
R 3414(B,184 ,91)		RN1/16SE6200D	R 3603(A,182 ,55)		RS1/16S220J
R 3423(B,151 ,91)		RN1/16SE6200D	R 3604(A,183 ,52)		RS1/16S470J
R 3424(B,165 ,91)		RN1/16SE6200D	R 3605(B,181 ,42)		RS1/16S750J
R 3431(B,176 ,75)		RN1/16SE1201D	R 3606(A,187 ,222)		RS1/16S0R0J
R 3432(B,173 ,82)		RN1/16SE1201D			
R 3433(B,177 ,68)		RN1/16SE1201D	CAPACITORS		
R 3434(B,177 ,72)	CHIP METAL FILM R	RN1/16SE1801D	C 3101(A,171 ,145)	ELECT. CAPACITOR	CEHAZA102M6R3
R 3435(B,174 ,72)	CHIP METAL FILM R	RN1/16SE1801D	C 3104(B,182 ,141)		CKSRFY105Z10
R 3436(B,169 ,82)		RN1/16SE1201D	C 3105(A,141 ,63)	ELECT. CAPACITOR	VCH1249
R 3437(B,169 ,62)		RS1/16S223J			

<u>Mark No.</u>	<u>Description</u>	<u>Part No.</u>	<u>Mark No.</u>	<u>Description</u>	<u>Part No.</u>
C 3109(A,183 ,207)	ELECT. CAPACITOR	CEHAZA471M6R3	C 3434(B,174 ,68)		CCSRCH471J50
C 3110(B,188 ,213)		CKSRYP105Z10	C 3435(B,169 ,74)		CCSRCH471J50
C 3111(B,188 ,210)		CKSRYP102K50	C 3437(A,171 ,65)	ELECT. CAPACITOR	CEANP470M16
C 3201(A,158 ,212)		CKSRYP105Z10	C 3438(A,165 ,79)	ELECT. CAPACITOR	VCH1247
C 3301(A,122 ,176)	ELECT. CAPACITOR	CEHAZA471M6R3	C 3443(B,160 ,76)		CCSRCH122J50
C 3302(A,122 ,171)		CKSRYP105Z10	C 3444(B,160 ,68)		CCSRCH471J50
C 3303(A,140 ,166)		VCH1261	C 3445(B,165 ,74)		CCSRCH471J50
C 3305(A,135 ,161)		VCH1261	C 3447(A,163 ,65)	ELECT. CAPACITOR	CEANP470M16
C 3306(A,112 ,161)		VCH1261	C 3451(A,177 ,107)		CCH1510
C 3307(A,129 ,171)		CKSRYP104Z25	C 3500(B,141 ,204)		CKSRYP105Z10
C 3308(B,108 ,143)		CCSRCH331J50	C 3501(A,152 ,205)	ELECT. CAPACITOR	VCH1248
C 3309(B,133 ,143)		CCSRCH331J50	C 3502(A,160 ,202)		CKSRYP105Z10
C 3310(A,130 ,174)		CKSRYP104Z25	C 3503(A,150 ,188)	ELECT. CAPACITOR	VCH1249
C 3311(A,105 ,125)		VCH1257	C 3505(A,169 ,187)	ELECT. CAPACITOR	VCH1249
C 3312(B,108 ,130)		CKSRYP104Z25	C 3506(A,160 ,187)	ELECT. CAPACITOR	VCH1249
C 3313(A,103 ,149)	PORYPROPYLENE FILM C	VCE1051	C 3507(B,156 ,195)		CKSRYP104Z25
C 3314(A,116 ,149)	PORYPROPYLENE FILM C	VCE1051	C 3508(B,155 ,183)		CCSRCH331J50
C 3315(A,117 ,120)		VCH1257	C 3509(B,174 ,183)		CCSRCH331J50
C 3316(B,112 ,143)		CKSRYP104Z25	C 3510(A,168 ,199)		CKSRYP104Z25
C 3321(A,130 ,125)		VCH1257	C 3511(A,179 ,173)	ELECT. CAPACITOR	VCH1247
C 3322(B,133 ,130)		CKSRYP104Z25	C 3512(B,176 ,172)		CKSRYP104Z25
C 3323(A,131 ,149)	PORYPROPYLENE FILM C	VCE1051	C 3513(B,164 ,181)		CCSRCH471J50
C 3324(A,144 ,149)	PORYPROPYLENE FILM C	VCE1051	C 3514(B,179 ,181)		CCSRCH471J50
C 3325(A,142 ,120)		VCH1257	C 3515(A,170 ,173)	ELECT. CAPACITOR	VCH1247
C 3326(B,137 ,143)		CKSRYP104Z25	C 3516(B,169 ,183)		CKSRYP104Z25
C 3331(A,114 ,80)		VCH1257	C 3521(A,160 ,173)	ELECT. CAPACITOR	VCH1247
C 3333(A,104 ,99)	PORYPROPYLENE FILM C	VCE1052	C 3522(B,157 ,172)		CKSRYP104Z25
C 3334(A,113 ,86)	PORYPROPYLENE FILM C	VCE1051	C 3523(B,145 ,181)		CCSRCH471J50
C 3335(A,116 ,99)	PORYPROPYLENE FILM C	VCE1051	C 3524(B,160 ,181)		CCSRCH471J50
C 3337(A,115 ,67)		VCH1255	C 3525(A,151 ,173)	ELECT. CAPACITOR	VCH1247
C 3338(A,133 ,80)		VCH1257	C 3526(B,150 ,183)		CKSRYP104Z25
C 3343(A,138 ,99)	PORYPROPYLENE FILM C	VCE1052	C 3531(A,169 ,165)	ELECT. CAPACITOR	VCH1247
C 3344(A,134 ,86)	PORYPROPYLENE FILM C	VCE1051	C 3533(B,169 ,161)		CCSRCH122J50
C 3345(A,126 ,99)	PORYPROPYLENE FILM C	VCE1051	C 3534(B,169 ,153)		CCSRCH471J50
C 3347(A,132 ,67)		VCH1255	C 3535(B,164 ,160)		CCSRCH471J50
C 3351(A,132 ,165)		CCH1510	C 3537(A,169 ,52)	ELECT. CAPACITOR	CEANP470M16
C 3400(B,150 ,106)		CKSRYP104Z25	C 3538(A,160 ,165)	ELECT. CAPACITOR	VCH1247
C 3401(A,163 ,125)	ELECT. CAPACITOR	VCH1248	C 3543(B,155 ,161)		CCSRCH122J50
C 3402(A,166 ,120)		CKSRYP105Z10	C 3544(B,155 ,153)		CCSRCH471J50
C 3403(A,183 ,112)	ELECT. CAPACITOR	VCH1249	C 3545(B,160 ,160)		CCSRCH471J50
C 3405(A,174 ,103)	ELECT. CAPACITOR	VCH1249	C 3547(A,161 ,52)	ELECT. CAPACITOR	CEANP470M16
C 3406(A,165 ,103)	ELECT. CAPACITOR	VCH1249	C 3551(A,174 ,190)		CCH1510
C 3407(A,173 ,114)		CKSRYP104Z25	C 3601(A,189 ,196)	ELECT. CAPACITOR	VCH1248
C 3408(B,179 ,98)		CCSRCH331J50	C 3602(A,180 ,189)		CKSRYP104Z25
C 3409(B,160 ,98)		CCSRCH331J50	C 3603(A,188 ,34)	ELECT. CAPACITOR	VCH1249
C 3410(A,173 ,117)		CKSRYP104Z25	C 3604(B,190 ,31)		CKSRYP105Z10
C 3411(A,184 ,87)	ELECT. CAPACITOR	VCH1247	C 3605(B,189 ,36)		CKSRYP102K50
C 3412(B,181 ,87)		CKSRYP104Z25	C 3606(A,187 ,70)	ELECT. CAPACITOR	VCH1247
C 3413(B,169 ,95)		CCSRCH471J50	C 3607(A,184 ,65)		CKSRYP105Z10
C 3414(B,184 ,95)		CCSRCH471J50	C 3608(A,184 ,64)		CKSRYP102K50
C 3415(A,175 ,87)	ELECT. CAPACITOR	VCH1247	C 3609(A,182 ,52)		CKSRYP103K25
C 3416(B,174 ,98)		CKSRYP104Z25	C 3610(A,177 ,57)	ELECT. CAPACITOR	VCH1249
C 3421(A,165 ,87)	ELECT. CAPACITOR	VCH1247	C 3613(B,187 ,30)		CKSRYP104Z25
C 3422(B,162 ,87)		CKSRYP104Z25	C 3615(B,174 ,26)		CKSRYP104Z25
C 3423(B,150 ,95)		CCSRCH471J50	C 3617(B,169 ,39)		CKSRYP104Z25
C 3424(B,165 ,95)		CCSRCH471J50	C 3618(B,184 ,44)		CKSRYP104Z25
C 3425(A,156 ,87)	ELECT. CAPACITOR	VCH1247	C 3620(B,180 ,68)		CKSRYP104Z25
C 3426(B,155 ,98)		CKSRYP104Z25	C 3621(B,185 ,50)		CKSRYP104Z25
C 3431(A,174 ,79)	ELECT. CAPACITOR	VCH1247			
C 3433(B,174 ,76)		CCSRCH122J50			

Mark No.	Description	Part No.
E	FLKY ASSY	
MISCELLANEOUS		
IC 2101(B,80,48)	FL CONTROL UCOM IC	PE5314C
IC 2102(B,63,29)	RESET IC	PST3228
IC 2103(A,259,30)	REMOTE RECEIVER UNIT	GP1UE27XK
Q 2101(B,115,60)	DIGITAL TRANSISTOR	DTC124EUA
Q 2102(B,116,51)	CHIP DIGITAL TRANS.	DTA124EUA
Q 2108(B,50,36)	DIGITAL TRANSISTOR	DTC124EUA
Q 2109(B,49,29)	CHIP DIGITAL TRANS.	DTA124EUA
D 2103(A,138,44)	LED(RED)	SLI-343URW(RST)
D 2104(A,127,44)	LED(BLUE)	SLR-343BBT(GHJ)
KN2101(A,119,79)	WRAPPING TERMINAL	VNF1084
V 2101(A,245,49)	FL TUBE	VAW1089
S 2101(A,103,74)	SWITCH	VSG1024
S 2102(A,48,74)	SWITCH	VSG1024
S 2103(A,34,74)	SWITCH	VSG1024
S 2104(A,13,72)	SWITCH	VSG1024
S 2105(A,63,74)	SWITCH	VSG1024
S 2106(A,77,74)	SWITCH	VSG1024
X 2101(A,71,29)	CERAMIC RESONATOR	VSS1142
CN2101(A,16,33)	17P CONNECTOR	VKN1277
CN2102(A,304,37)	CONNECTOR 9P	09P-FJ
FL SPACER 989		VEC2487

RESISTORS

R 2105(B,92,79)	RS1/16S103J
R 2106(B,135,45)	RS1/16S0R0J
R 2107(B,75,63)	RS1/16S0R0J
R 2109(B,59,59)	RS1/16S0R0J
R 2110(B,63,59)	RS1/16S0R0J
R 2111(B,61,59)	RS1/16S0R0J
R 2113(B,71,69)	RS1/16S0R0J
R 2114(B,59,71)	RS1/16S103J
R 2115(B,57,75)	RS1/16S0R0J
R 2116(B,44,73)	RS1/16S122J
R 2117(B,36,75)	RS1/16S222J
R 2118(B,65,75)	RS1/16S272J
R 2119(B,72,73)	RS1/16S392J
R 2120(B,273,25)	RS1/16S0R0J
R 2121(B,69,69)	RS1/16S0R0J
R 2122(B,68,27)	RS1/16S103J
R 2123(B,73,69)	RS1/16S0R0J
R 2125(B,118,46)	RS1/10S272J
R 2126(B,61,46)	RS1/16S392J
R 2127(B,63,46)	RS1/16S103J
R 2128(B,59,48)	RS1/16S224J
R 2129(B,53,49)	RS1/16S0R0J
R 2130(B,254,25)	RS1/16S0R0J
R 2131(B,115,46)	RS1/10S272J
R 2132(B,137,49)	RS1/16S121J
R 2133(B,63,42)	RS1/16S101J
R 2134(B,67,37)	RS1/16S101J
R 2135(B,63,34)	RS1/16S101J
R 2136(B,63,32)	RS1/16S101J
R 2138(B,58,42)	RS1/16S103J
R 2139(B,58,38)	RS1/16S105J
R 2141(B,63,36)	RS1/16S105J
R 2142(B,59,34)	RS1/16S105J
R 2146(B,157,48)	RS1/16S0R0J

Mark No.	Description	Part No.
R 2151(B,77,68)		RS1/16S103J
R 2152(B,90,68)		RS1/16S103J
R 2155(B,47,41)		RS1/16S0R0J
R 2161(B,65,69)		RS1/16S103J
R 2162(B,151,48)		RS1/16S0R0J
R 2191(B,90,85)		RS1/16S103J
R 2194(B,63,40)		RS1/16S0R0J
R 2195(B,63,38)		RS1/16S101J
R 2196(B,73,33)		RS1/16S0R0J

CAPACITORS

C 2101(B,90,80)	CKSRYB102K50
C 2102(B,68,55)	CKSRYF105Z10
C 2103(B,59,75)	CKSRYB102K50
C 2104(A,272,28)	CEAL101M6R3
C 2105(B,21,39)	CKSRYF105Z10
C 2107(B,65,46)	CKSRYB102K50
C 2108(B,71,33)	CKSRYB102K50
C 2110(B,260,26)	CKSRYF105Z10
C 2111(B,56,42)	CKSRYB103K50
C 2113(B,94,51)	CKSRYF105Z10
C 2115(B,77,35)	CKSRYF105Z10
C 2116(B,94,48)	CKSRYB104K25
C 2120(A,23,71)	CEJQ101M6R3
C 2121(B,84,68)	CKSRYB102K50
C 2122(B,86,68)	CKSRYB102K50
C 2126(B,50,39)	CKSRYB102K50
C 2161(B,67,69)	CKSRYB102K50

F KEYB ASSY
MISCELLANEOUS

D 2203(A,155,79)	LED(RED)	SLR-343VC
D 2204(A,138,79)	LED(RED)	SLR-343VC
J 2203(A,170,63)	CONNECTOR ASS'Y	PF05PG-C17
KN2201(A,186,88)	WRAPPING TERMINAL	VNF1084
S 2201(A,135,89)	SWITCH	VSG1024
S 2202(A,152,89)	SWITCH	VSG1024
S 2204(A,172,89)	SWITCH	VSG1024
CN2201(A,150,59)	CONNECTOR 9P	09R-FJ

RESISTORS

R 2201(B,144,78)	RS1/16S101J
R 2202(B,159,74)	RS1/16S101J
R 2203(B,141,85)	RS1/16S122J
R 2204(B,143,87)	RS1/16S222J
R 2220(B,169,83)	RS1/16S272J
R 2221(B,172,85)	RS1/16S392J

CAPACITORS

C 2201(B,171,66)	CKSRYB103K50
C 2202(B,169,67)	CKSRYB103K50
C 2203(B,133,62)	CKSRYF105Z10

G MSWB ASSY
MISCELLANEOUS

D 2301(B,315,71)	DIODE	1SS355
D 2302(B,321,71)	DIODE	1SS355

Mark No.	Description	Part No.
⚠ RY2301(A,315,84)	POWER RELAY	VSR1018
⚠ S 2301(A,262,70)	POWER SWITCH	VSA1005
CN2301(A,270,93)	CONNECTOR	S5B-PH
⚠ CN2302(A,283,83)	AMP U-P CONNECTOR	VKN2024
CN2303(A,255,89)	CONNECTOR	S2B-PH
⚠ CN2304(A,309,85)	CONNECTOR	B2P3S-VH-BK

Mark No.	Description	Part No.
C 3804(A,63 ,214)		VCH1254
C 3805(A,42 ,199)	ELECT. CAPACITOR	VCH1247
C 3806(A,42 ,208)	ELECT. CAPACITOR	VCH1247
C 3807(A,33 ,198)		VCH1257
C 3808(A,33 ,210)		VCH1257
C 3809(B,20 ,206)		CKSRYB104K16
C 3810(A,15 ,209)	ELECT. CAPACITOR	CEHAZA101M10

RESISTORS

R 2301(B,263,88)	RS1/4SA102J
R 2302(B,263,86)	RS1/4SA102J

H POWER SUPPLY UNIT

OTHERS

⚠ P301	PROTECTOR(800mA)	AEK7063
⚠ P201	PROTECTOR(1.6A)	AEK7066
⚠ P101,P202	PROTECTOR(2.0A)	AEK7067

I PS ASSY

MISCELLANEOUS

IC 3801(A,86 ,197)	PROTECTOR(1A)	AEK7009
IC 3802(A,81 ,208)	PROTECTOR(1A)	AEK7009
IC 3803(A,21 ,203)	IC	NJM78M05FA
Q 3801(A,28 ,186)	TRANSISTOR	2SC4883A
Q 3802(A,33 ,226)	TRANSISTOR	2SA1859A

Q 3803(A,48 ,202)	N-FET	2SK246
Q 3804(A,53 ,210)	N-FET	2SK246
Q 3805(B,36 ,193)	CHIP TRANSISTOR	2SC3906K
Q 3806(B,36 ,219)	CHIP TRANSISTOR	2SA1514K
D 3801(A,75 ,184)	SCHOTTKY DIODE	11EQS10

D 3802(A,78 ,184)	SCHOTTKY DIODE	11EQS10
D 3803(A,75 ,224)	SCHOTTKY DIODE	11EQS10
D 3804(A,78 ,224)	SCHOTTKY DIODE	11EQS10
D 3805(B,37 ,203)	DIODE	UDZS12(B)
D 3806(B,37 ,210)	DIODE	UDZS12(B)

D 3807(B,29 ,203)	CHIP DIODE	RB501V-40
D 3808(B,29 ,210)	CHIP DIODE	RB501V-40
D 3809(B,12 ,208)	CHIP DIODE	RB501V-40
J 3801(A,7 ,200)	6P CONNECTOR ASS'Y	VKP2363
CN3801(A,90 ,210)	CONNECTOR	B3P-VH

PCB BINDER	VEF1040
C CUSION	VEB1375
HEAT SINK	VNH1073
HEAT SINK	VNH1074
SCREW	PMH30P080FCC

RESISTORS

R 3801(A,76 ,200)	CARBON FILM RESISTOR	RD1/4MUF4R7J
R 3803(B,40 ,194)		RS1/16S331J
R 3804(B,40 ,218)		RS1/16S331J
R 3805(B,31 ,191)		RS1/16S681J
R 3806(B,30 ,220)		RS1/16S681J

CAPACITORS

C 3801(A,74 ,209)	AUDIO FILM CAPACITOR	ACE7063
C 3802(A,81 ,214)	AUDIO FILM CAPACITOR	ACE7063
C 3803(A,63 ,189)		VCH1254

J PLED ASSY

MISCELLANEOUS

D 2351(A,313,30)	LED(BLUE)	SLR-343BBT
J 2351(A,317,22)	CONNECTOR ASS'Y	PF02PG-B07

RESISTORS

R 2351(B,318,27)	RS1/16S0R0J
------------------	-------------

CAPACITORS

C 2351(B,316,35)	CKSRYB104K25
C 2352(A,319,36)	ELECT. CAPACITOR CEHAZA220M16

K LOAB ASSY [VWG2426]

SWITCHES and RELAYS

S101	REAF SWITCH	VSK1011
------	-------------	---------

OTHERS

CN601	KR CONNCTOR	S5B-PH-K-S
CN602	KR CONNCTOR	S2B-PH-K-S
	PRINTED CIRCUIT BOARD(LOAB)	VNP1912

6. ADJUSTMENT

6.1 ADJUSTMENT ITEMS AND LOCATION

■ Adjustment Items

[Mechanism Part]

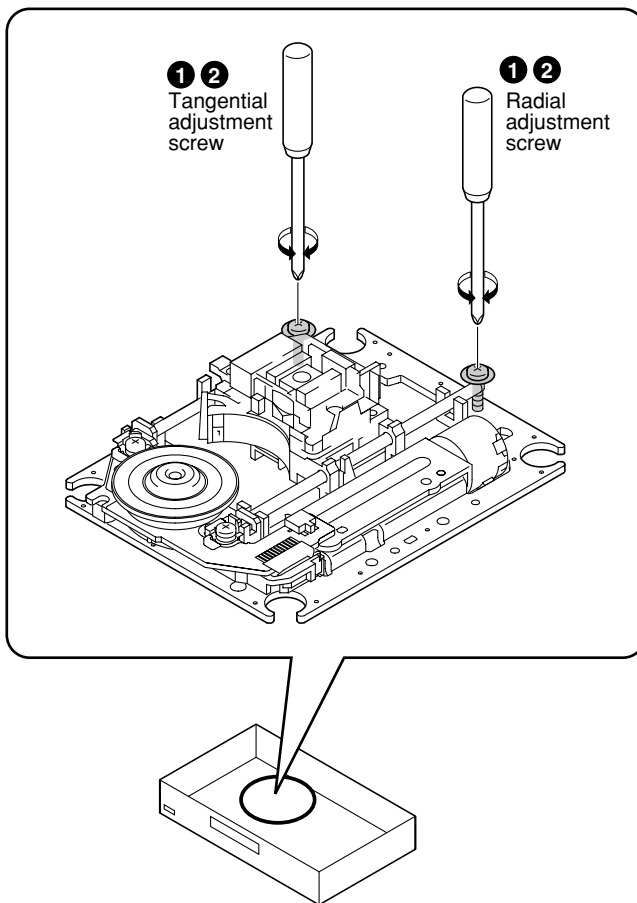
- ① Tangential and Radial Height Coarse Adjustment
- ② DVD Jitter Adjustment

[Electrical Part]



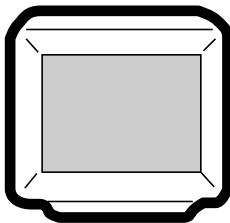
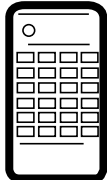


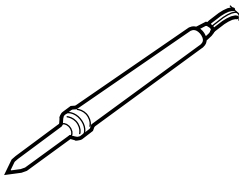
Electrical adjustments are not required.

■ Adjustment Points (Mechanism Part)

Cautions: After adjustment, adjustment screw locks with the Screw tight.



6.2 JIGS AND MEASURING INSTRUMENTS

 <p>⊕ Screwdriver (large)</p>	 <p>⊕ Screwdriver (medium)</p>	 <p>TV monitor</p>	 <p>Test mode remote control unit (GGF1381)</p>
 <p>⊕ Precise screwdriver</p>	 <p>DVD test disc (GGV1174)</p>	 <p>Soldering iron</p>	<p>Screw tight (GYL1001)</p>

6.3 NECESSARY ADJUSTMENT POINTS

When

Adjustment Points

■ Exchange Parts of Mechanism Assy

Exchange the Pickup

Mechanical point

①, ②

* After adjustment, screw locks with the Screw tight.

Electric point

Exchange the Traverse Mechanism

Mechanical point

Electric point

Exchange the Spindle Motor

Mechanical point

②

* After adjustment, screw locks with the Screw tight.

Electric point

■ Exchange PCB Assy

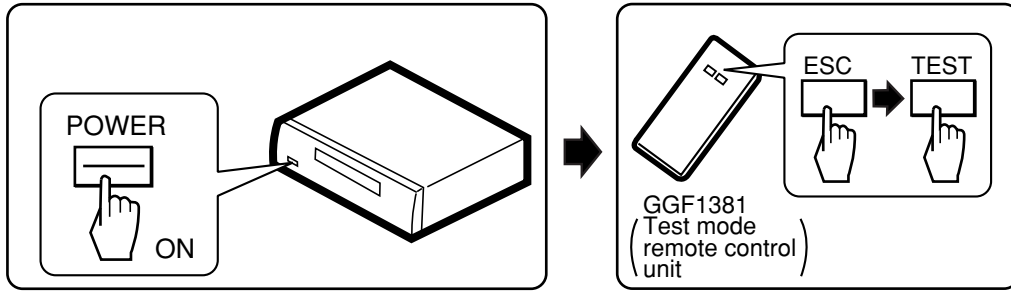
Exchange PC Board
LOAB and DVDM ASSYS

Mechanical point

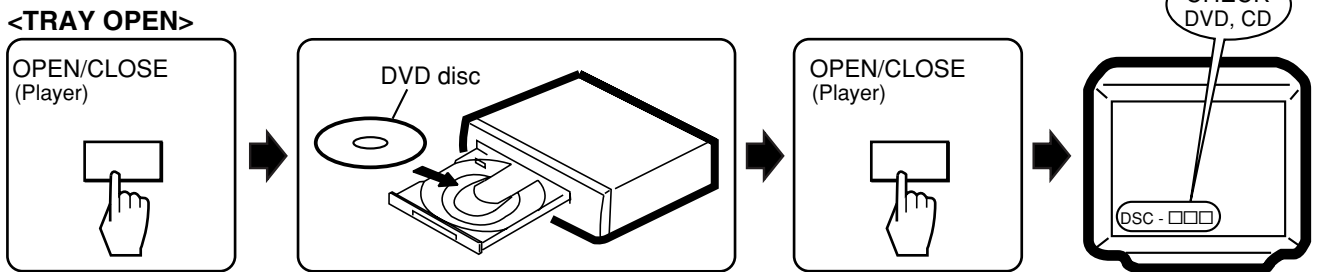
Electric point

6.4 TEST MODE

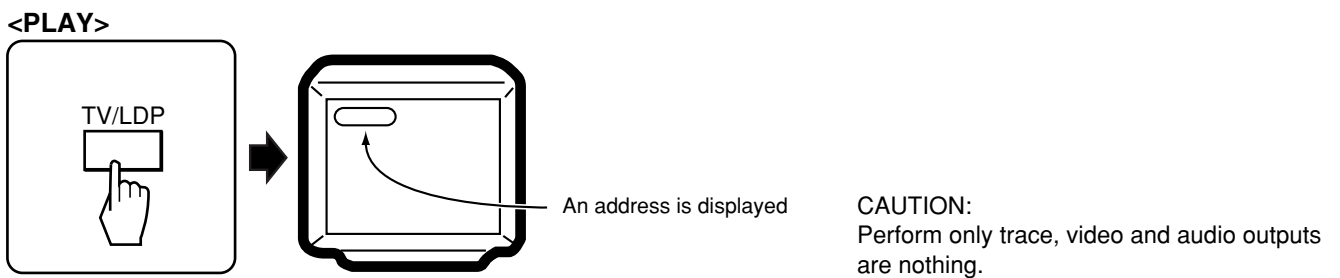
TEST MODE: ON



TEST MODE: DISC SET



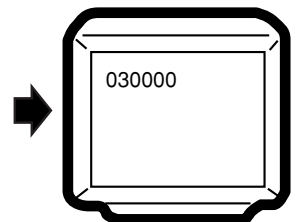
TEST MODE: PLAY



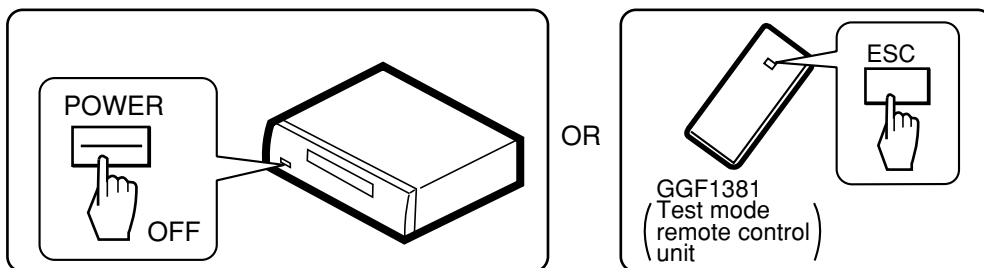
< When playback with the target address of disc (DVD)>

For example, when playback with # 30000

During PLAY **+10** → **3** → **0** → **0** → **0** → **0** → **CHP/TIM** Press keys in order



TEST MODE: OFF



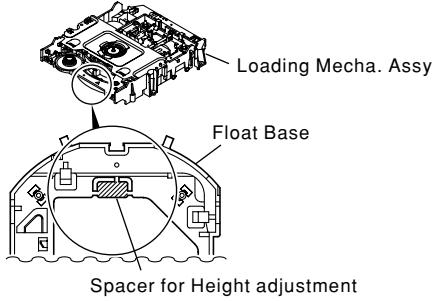
6.5 MECHANISM ADJUSTMENT



1 Tangential and Radial Height Coarse Adjustment

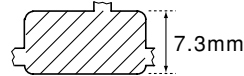
START

- Remove the Loading Mecha. Assy.
- Remove a Spacer for height adjustment attached to the back side (shaded area) of the Loading Mecha. Assy (Float Base) with nippers.

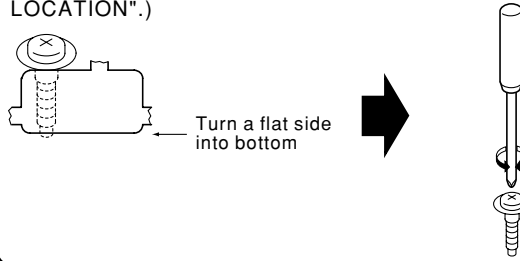


Note:
 Before removing the flexible cable for the pickup, soldering of the pickup circuit is necessary.
 For details, see "7.1.10 DISASSEMBLY".

Cautions:
 Keep spacer for future use.
 (used only for 2003 models)



Put a spacer between a Tangential (or Radial) adjustment screw and Mechanism Base and turn each screw to adjust the height. (Refer to "6.1 ADJUSTMENT ITEMS AND LOCATION".)



2 DVD Jitter Adjustment

- Playback method of inner and outer address for the purpose is referred to "6.4 TEST MODE".
- Jitter indication of the monitor is referred to "7.1.3 TEST MODE SCREEN DISPLAY".

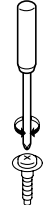
START

- Test mode
- Play the DVD test disc at outer track (around #200000)

Use disc: GGV1025

Mechanism Assy

Adjust the Tangential Adjustment Screw so that jitter becomes minimum.




J : Min

- Play the DVD test disc at inner track (around #30000)

Mechanism Assy

Adjust the Radial Adjustment Screw so that jitter becomes minimum.




J : Min

- Play the DVD test disc at outer track (around #200000)

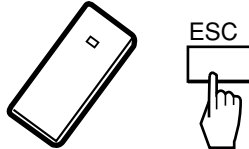
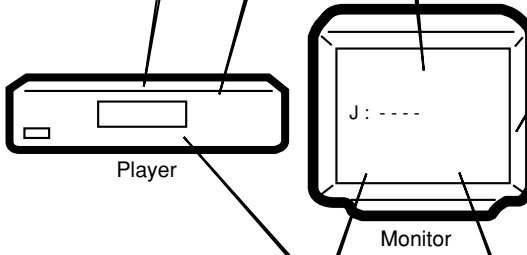
Mechanism Assy

Readjust the Tangential Adjustment Screw so that jitter becomes minimum.



J : Min

Test mode end





CHECK

Confirm the error rate that is displayed "OK"
 (Example ERROR RATE: 6.60e - 6 OK)

Turn the POWER OFF in case of NG once, and perform the adjustment once again.

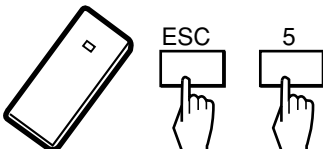
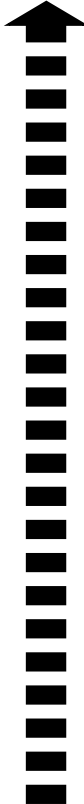
If error rate is OK, locks a root of tangential and radial adjustment screws with the Screw tight.



Screw tight: GYL1001

Disc playback normally.

- The measurement of block error rate

7. GENERAL INFORMATION

7.1 DIAGNOSIS

7.1.1 ID NUMBER AND ID DATA SETTING

■ Entering the ID Number and ID Data for Players with DVD-Audio and DVD-RW Compatibility

It is necessary with a player with DVD-audio and DVD-RW compatibility to set an individual number (ID number) and ID data. If the number and data are not set correctly with the following procedure, operations in the future may not be guaranteed. You will find the ID number to be set on the yellow label on the rear panel.

Important: If no yellow label is found on the rear panel, write down the specified ID number by checking it according to "How to confirm the ID number" shown below.

■ The Input is Necessary When:

- Downloading FLASH-ROM is finished. (The latest version must be downloaded when a repair is made.)
- "No ID Number" is displayed on the screen or FL display immediately after the power is turned on or in Stop mode.
- If "No ID DATA" is displayed, the ID data must be entered.

Note:

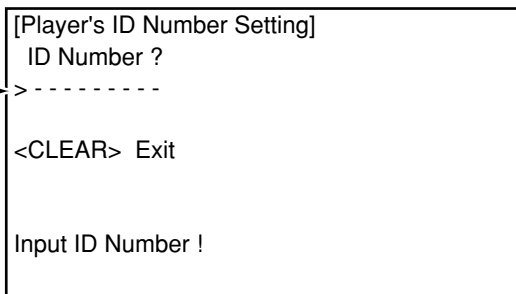
Be sure to enter the ID number in Stop mode. Use the service remote control (GGF1381) for operations. Only opening/closing of the tray are performed from the player. Use Disc No. : GGV1174

■ How to Input the ID Number and ID Data

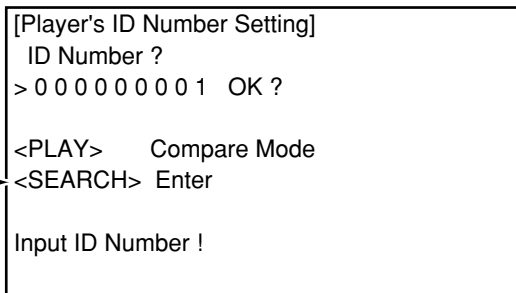
① To enter the input mode, press **[ESC]** + **[STEREO]** in a status with no ID number set, such as after FLASH-ROM downloading.



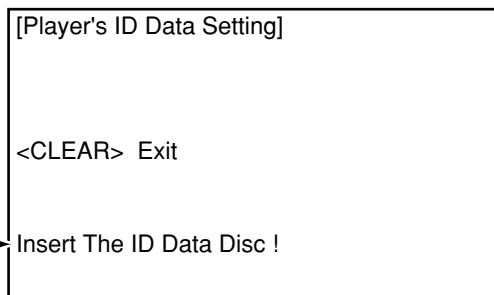
② As number input is enabled when the unit enters the input mode, input the 9-digit ID number. (The entered number is also displayed on the FL display.)



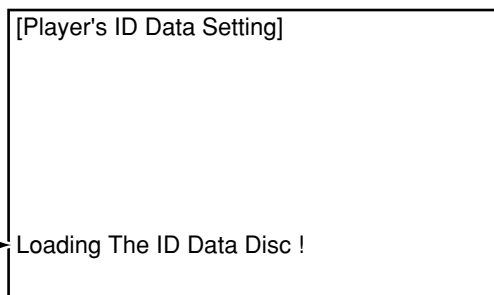
③ After inputting the number, press **[SEARCH]** to register the ID number.



④ When the ID number has been registered, the unit enters the ID data input mode. (The FL display indicates "NO ID DATA.") In this condition, place the ID data disc on the tray and close the tray using the CLOSE key **[■/▲]** on the player.



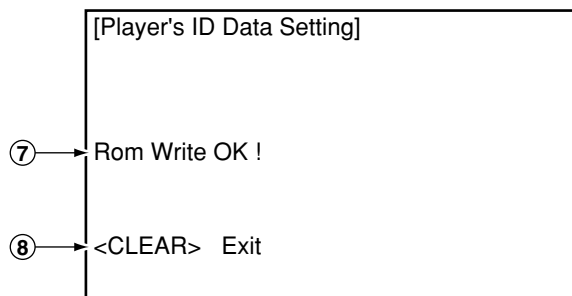
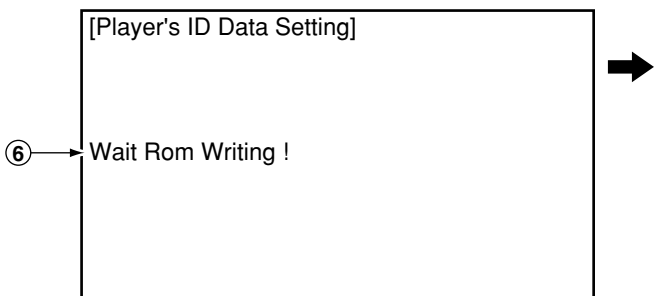
⑤ While the data are being read, the message shown in the figure at left is displayed on the screen. (The FL display indicates "RD ID DATA.")



- ⑥ When the ID data have been read, the data are written to the FLASH-ROM. (The FL display indicates "WR ID DATA.")

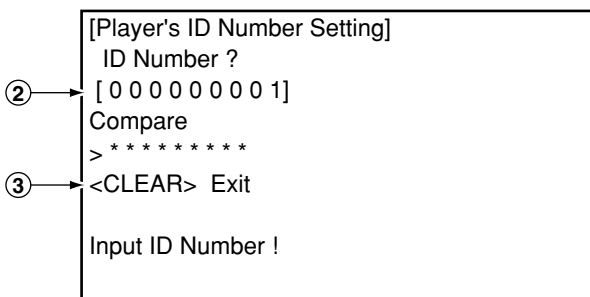
- ⑦ When the ID data have been written to the FLASH-ROM, the message "Rom Write OK" is displayed on the screen. (The FL display indicates "ID DATA OK.")

- ⑧ After confirming this message, press **CLEAR** to exit the input mode.



How to Confirm the ID Number

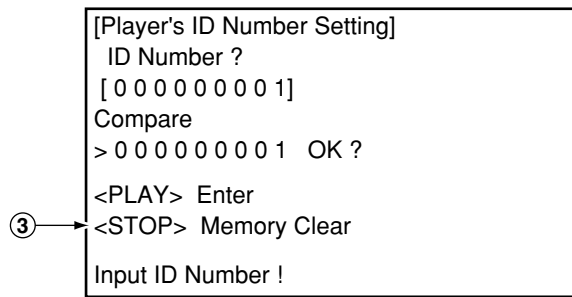
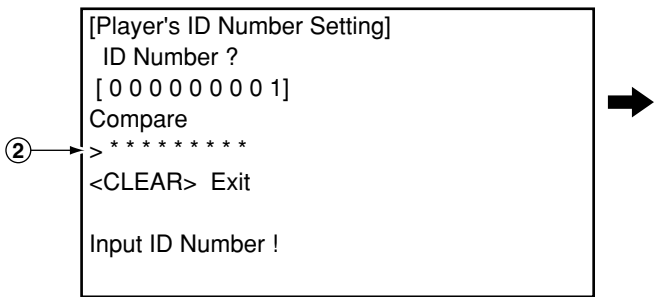
- ① Press **ESC**+**STEREO** with an ID number set, and the unit enters the ID number confirmation mode.
- ② The set ID number is displayed on the screen (and on the FL display), permitting you to confirm it.
- ③ To exit this mode, press **CLEAR**.



How to Clear the ID Number

- ① Press **ESC**+**STEREO** with an ID number set, and the unit enters the ID number confirmation mode.
- ② Input the same number as the ID number you have set.

- ③ After inputting the number, press **STOP**. Only when the entered number matches the set ID number, the ID number is cleared and the unit exits this mode. If the numbers do not match, you must return to step 2. (**STOP** is not accepted until 9 digits are entered.)



7.1.2 SELF-DIAGNOSIS FUNCTION OF PICKUP DEFECTIVE

This unit can confirm the laser diode current value (DVD: 650nm, CD: 780nm) of pickup on the Test Mode screen. (Press the **ESC** → **TEST** keys in order on the test mode remote control unit (GGF1381) to enter the test mode.)

It's effective in case of the following condition.

Symptom

- Indicates "No Disc" in FL display.
- Player does not playback, etc..

Procedure of Self-Diagnosis

- ① Enter the Test mode.
- ② When diagnosing the 650nm laser diode:
Press the **TEST** → **1** keys in order, and turn on the laser diode (It light-up for nine seconds.).
When diagnosing the 780nm laser diode:
Press the **TEST** → **4** keys in order, and turn on the laser diode (It light-up for nine seconds.).

When let it turn on once again after performed ② once,
After pressed **REP.B** key once
650nm: Press the **TEST** → **1** keys in order
780nm: Press the **TEST** → **4** keys in order

- ③ Confirm the indicated value of the laser diode current (LDI). (Refer to following figure.)

④ **When indicated value is more than 140, pickup is defective. → Replacement is necessary**

Replace the Traverse Mechanism Assy or Pickup.

Note : When a DVD disc or a CD disc is played in the test mode, this function is effective.

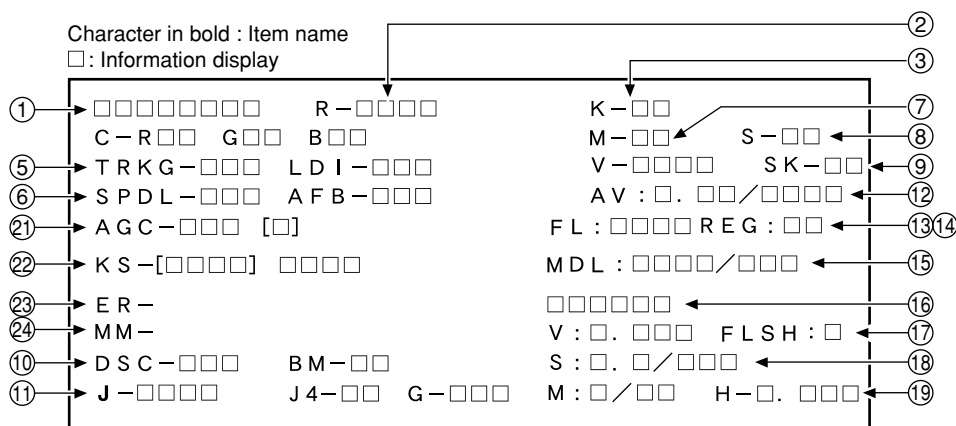
Character in bold : Item name
□: Information display

□□□□□□□□	R-□□□□	K-□□
C-R□□ G□□ B□□		M-□□ S-□□
TRK G □□□	LDI -□□□	V-□□□□ SK-□□
SPDL-□□□ AFB-□□□		AV : □. □□/□□□□
AGC-□□□ [□]		FL : □□□□ REG : □□
KS-[□□□□] □□□□		MDL : □□□□/□□□
ER-		□□□□□□
MM-		V : □. □□□ FLSH : □
DSC-□□□□ BM-□□		S : □. □/□□□
J-□□□□ J4-□□ G-□□□		M : □/□□ H-□. □□□

Laser diode current value →

7.1.3 TEST MODE SCREEN DISPLAY

Display Specification of the Test Mode



① Address indication

The address being traced is displayed in number.
(as for the DVD, indication of decimal number is possible.)
DVD : ID indication (hexadecimal number, 8 digits)
[*****]
CD : A-TIME (min. sec.) [0 0 0 0 *****]

② Code indication of remote control unit [R - * * * *]

In case of double code, display a 2nd code.

③ Main unit keycode indication [K - * * *]

④ Background color indication [C - R * * G * * B * * *]

⑤ (1) Tracking status [TRKG - * * * *]

Tracking on : [ON]

Tracking off : [OFF]

(2) Laser diode current value [LDI - * * * *]

⑥ (1) Spindle status [SPDL - * * * *]

Spindle accelerator and brake, free-running

FG servo

Rough, velocity phase servo

Offset addition, rough, velocity phase servo

(2) AFB status [AFB - * * * *]

ON

OFF

[A/B]

[FG]

[SRV]

[O_S]

[ON]

[OFF]

⑦ Mechanism (loading) position value [M - * * *]

Unknown : [01] or [41]

Open state : [04]

Close state : [08]

During opening : [12]

During closing : [22]

⑧ Slider position [S - * * * *]

CD TOC area : [IN]

CD active area : [CD]

⑨ Output video system [V - * * * *]

NTSC system : [NTSC]

PAL system : [PAL]

Automatic setting : [AUTO]

Scart terminal output [SK - * * *]

(Display only the WY model which can do the output setting of scart terminal.)

VIDEO : [00]

S-VIDEO : [01]

RGB : [02]

⑩ (1) Disc sensing [DSC - * * * *]

The type of discs loaded is displayed.

[DVD], [CD], [VCD], []

(2) CD 1/3 beam switch [BM - * * *]

⑪ Jitter value [J - * * * *]

Make the jitter four times, and renew it in every 0.5 second.

[J4 - * * *]

⑫ Version of the AV-1 chip / version of firmware [AV: * * / * * * * * * * *]

⑬ Version of the FL controller [FL: * * * *]

⑭ Region setting of the player [REG: *]

Setting value : [1] to [6]

⑮ Destination setting of the FL controller [MDL: * * * * / * * * *]

Four characters in the front represent the type of model.

Three characters in the back represent the destination code.

J: /J, K: /KU, /KC, /KU/KC, R: /RAM/RL/RD, LB: /LB,

WY: /WY

⑯ Part number of the flash ROM and system controller [***** / *****]

⑰ Version of the flash ROM [V: *. * * *]

Flash ROM size [FLSH = *]

⑱ Revision of the system controller [S: * . * / * * * *]

①⑨ **(1) Revision of the DVD mechanism controller**

[M: * / * *]

(2) Part number of the GUI-ROM (OEM model)

[GUI: * * *]

(3) HOST conversion [HOST: * * *]

②① **AGC setting [AGC – * * * [*]]**

AGC on : [AGC-ON]

AGC off : [AGC-OFF]

[1] : RFAGC on [0] : RFAGC off

②② **FTS servo IC information**

DSP coefficient indication[KS – [* * * *] * * * *]

Displays the address (four digits) of the specified coefficient and the setting value (four digits) with [TEST] and [9] keys.

②③ **Error rate indication**

① C1 error value of CD [ER – C1 * * * *]

② C1 error value of DVD [ER – * * * * * * * *]

②④ **Internal operation mode of mechanism controller**

[MM – * * : * *]

Internal mechanism mode (2 digits) and internal mechanism step (2 digits) of the mechanism controller

7.1.4 SELF-DIAGNOSIS FUNCTION

When enter the service mode, self diagnosis mode operates with the "ESC"+"CHP/TIM" keys automatically.

① Mechanism Error History (past eight times of error is displayed)

Two columns of the beginning display the error status for mechanism controller.

(the details of error contents refer to "7.1.6 Error Display".)

Eight columns of the back display the count UP value (turned count up every 20msec) from the power-up.

Example) 32h \approx 1 sec, BB8h \approx 1 min, 2BF20h \approx 1 hour

In addition, when there was error after power-up immediately (till initial setting is completed), turn the most significant bit to ON.

② Check Item Display of Self Diagnosis Function

a) AV1 Host Bus check (possible the check only during stop) (Read & Write process of an internal specific register)

AV_1 : OK
 : — \Rightarrow not yet check
 : HOST BUS NG \Rightarrow HOST bus NG

b) Bus check between AV1 SDRAM (possible the check only during stop) (Read & Write process to the SDRAM)

AV_2 : OK
 : — \Rightarrow not yet check
 : AV1-SDRAM BUS NG \Rightarrow Bus NG between AV1 and SDRAM

c) DMA transfer port check from F.E. to AV1 (during stop, possible the check only in DVD or NO DISC)
 (writing from F.E to SDRAM and reading of SDRAM)

AV_3 : OK
 : — \Rightarrow not yet check
 : FE-AV1 DMA NG \Rightarrow Bus NG between F.E and SDRAM installed outside of AV1

d) Video encoder (ADV****) check (Read of the specific register)

VE : OK
 : NG ADV, \Rightarrow ADV register reading NG
 : NG > ADV, \Rightarrow ADV communication NG of FR to video encoder
 : NG > PRO \Rightarrow Communication NG from EBY to progressive decoder

e) DSP check (Read of the specific register)

DSP : OK
 : NG \Rightarrow DASP NG

f) SACD check (Read of the specific register)

SACD : OK
 : NG \Rightarrow SACD NG

g) 1394 relation HOST controller check

HOST : OK
 : NG \Rightarrow HOST controller NG

h) 1394 relation Mercury CHIP check

MERC : OK
 : NG \Rightarrow Mercury CHIP NG

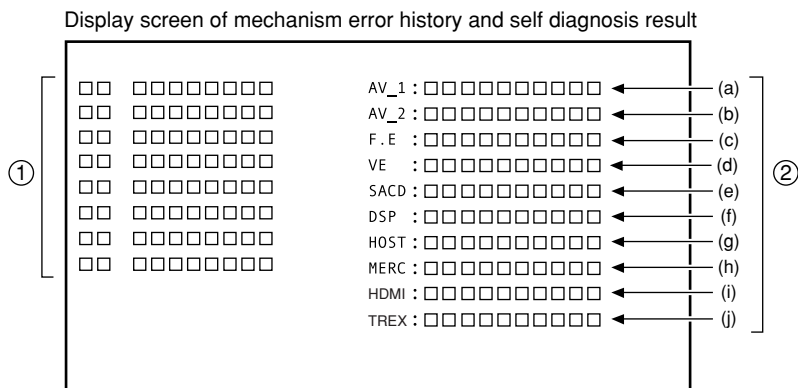
i) HOMI Transmitter IC check

HDMI : OK
 : NG

j) HDMI Resolution Conversion IC(T-rex) check

TREX : OK
 : NG

Display the mechanism error history and self diagnosis result by pressing the "CHP / TIM" key once again.
 Afterwards press the "CHP / TIM" key with toggle and change the display.



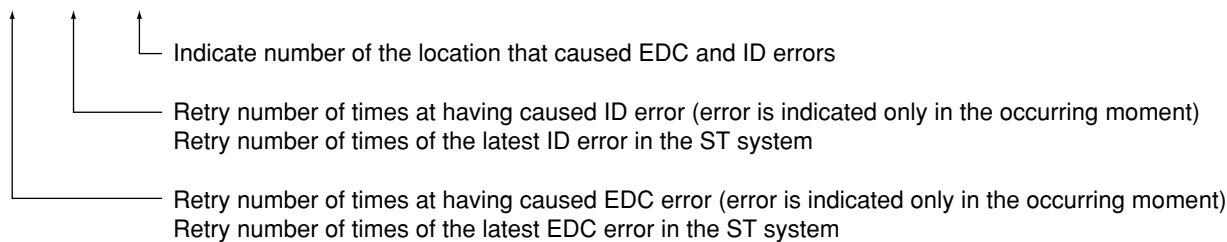
7.1.5 FUNCTIONAL SPECIFICATION OF THE SERVICE MODE

• FL indication of EDC / ID error (short cut function)

Indicate it in FL with the "ESC"+"CX" keys (LD remote control unit).
Indication is released with the "ESC" key during display.

FL indication contents

0 0 / 0 0 / 0 1 *



* Mark: When even once causes AV1 error, lights.

• Screen display of the service mode

Indicate to the screen with the "ESC"+"CHP/TIM" keys.
Release the indication with the "ESC" key.

Indication contents

- ① ID Address
- ② DVD in playback: Error rate regular indication and exponent indication
CD/VCD in playback indicates the number of correct frame of C1 error /5 seconds.
- ③ Self diagnosis indication
Indicate the self diagnosis result whether the F.E is normal.
Self Check : During FE checks
Self Check OK : Abnormality is not found in F.E.
Self Check Error : Abnormality is found in F.E.
Indicate the mechanism error history and self diagnosis result by pressing the "CHP / TIM" key once again.
Afterwards press the "CHP / TIM" key with toggle and change the display.
Indication of the mechanism error history and self diagnosis result refer to "7.1.4 self diagnosis function".
- ④ Error information indication of the AV decoder
(a)
When a retry occurred in reading from the disc, a history indicates the occurrence location and the occurrence reason.
History is indicated to past seven times.
Eight columns of the beginning show the physical address which occurred of retry.
As for four columns of next, bitmap indicates EDC status. LSB shows the first sector during a block and MSB shows a last sector.
Following field indicates the retry number of times.
One digit in front of " / " shows number of times of the retry by EDC Error which occurred in the same block in succession.

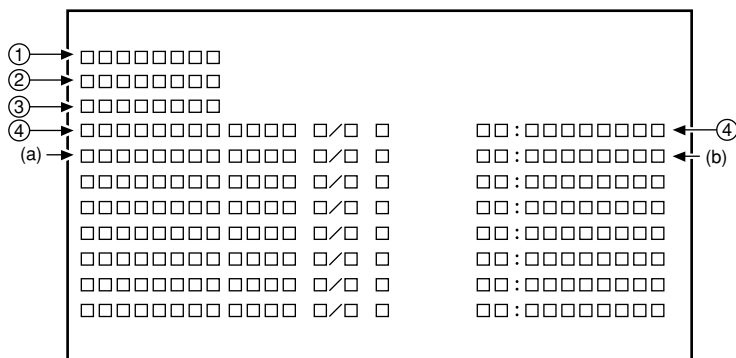
One digit after " / " shows number of times of the retry by ID Check Error which occurred in the same block in succession.
" * " of last one digit shows the EDC Check NG Count Over.
" # " shows the ID Check NG Count Over.
When " * " and " # " are not indicated, show that data were rightly readable by retry process.

(b)
Indicate the error information that detected with the Audio/Video Decoder. When error occurred, a history indicates the occurrence time and the occurrence reason. History is indicated to past seven times.
Field in front of ":" indicates the error information of Audio/Video Decoder.
(Indication information is different from Fujitsu Decoder with Mitsubishi Decoder)
02 model is 656 series and 757 series is Mitsubishi model.

- Specification for the Audio/Video Decoder (M65773FP) model of Mitsubishi
 - bit7: VLD Fatal Error detection
 - bit6: VLD Not Fatal Error detection
 - bit5: Number of Macro Block mismatch
 - bit4: Decode error
 - bit3: VLD Sequence Layer Fatal Error detection
 - bit2: VLD Picture Layer Fatal Error detection
 - bit1: VLD Slice Layer Fatal Error detection
 - bit0: Start-up Sequence Time-out Error detection
 Following field in " : " indicates a value of STC (System Time Clock) which detected the above Audio/Video Decoder error.

* When often perform the switch of debug screen, an error history will be increased.
As for this, CPU power is used for update of OSD drawing, symptoms occur so that control of VBR Buffer is not in time.

Indication contents



7.1.6 ERROR DISPLAY

Error codes that are displayed on the FL display without using the remote control unit

FL Display	Possible causes	Operation of the unit
AV1 VER	AV-1 chip is not a match with the program of system controller	The sound may not out with the specific audio.
CPU AERR	CPU address error (Hardware is unusual.)	No operation
DMA AERR	DMA address error (Hardware is unusual.)	No operation
FLASH ID	Difference in versions of the internal ROM of the system controller and of the flash ROM, or bus line failure or reverse installation	No operation
FLASH WRP	Write protect error of the flash ROM	No operation
FLASH SIG	Difference in part number of the flash ROM (When the ROM which could't be used was used.)	No operation
FLASH SUM	Check sum error of the flash ROM (It exceeds the regular size.) or reverse installation (Hardware is unusual.)	No operation
FLASH SIZ	Size error of the flash ROM (Use 4 or 8 M-bit.)	No operation
GUI ROM ERROR	Difference in version of GUI ROM and system controller software.	Operate as the OSD model
ILLGAL	The system controller fetched a code other than an operation code (Hardware is unusual.)	No operation
MECHA CPU	Difference in version of the internal ROM of the mechanism controller and of the flash ROM.	No operation
RESERVE	Undefined interrupt (Hardware is unusual.)	No operation
SLOT	Inappropriate slot command issued (Hardware is unusual.)	No operation

Error codes that are displayed on the FL display by using the remote control unit (Mechanism controller error)

To display: ESC + DISPLAY + DISPLAY; Location of the display: At the two digits of center of the FL display

To display the error history: ESC + DISPLAY + One shot; Location of the display: TV screen

FL	Description of Error	Causes if with a DVD	Causes if with a CD	Operation of the Unit
11	Search timeout	Search could not be complete within 7 seconds.	Search could not be complete within 7 seconds, and it could not enter the target area within 7 seconds by VCD scan.	CD : Stops, DVD: Continues operation
12	Search retry error	More beyond the target while the read-in search was converging. A search could not be completed after 3 retries while the unit was tracing 11 tracks. A search could not be completed after retry when timeout occurs at read-in.		CD: Stops, DVD: Continues operation
19	Tracing timeout while converging	Timeout (10.5 seconds) while tracing at the stage of convergence of a search.		Stop
1B	Index 0 search error		During Track (Index) Search, the search for the beginning of a program could not be completed within 3 seconds (20 seconds in the case of Index Search) after positioning based on the TOC data was completed.	Stop
1C	Embossment plunge error (only a model corresponding to RW)	Plunged into unreadable embossment of DVD-RW player.		1. In wobble nothing (error distinction) : search to address 2E400h 2. In wobble existence: Tray open
22	Timeout of slider inner circumference	Inside switch could not ON within 3 seconds.		Stop
23	Timeout of slider outer circumference	Inside switch could not OFF within the following times: at ATB: 2 seconds, at Backup: 2 or 2.02 seconds.		Stop
33	No FOK pulse during playback	When the focus was deviated continuously 20 times.		Adjusts focus at the innermost circumference and tries to return to its position where the error was generated (for 3 times), then opens. If the same error persists after one retry, the tray opens. (No FOK pulse)
38	Disc-type-sensing error	Were not able to playback from the disc distinction process. PLAY or STOP was not completed by backup operation of the disc distinction. Distinguished it from the blank disc in the ATB process completion.		Open

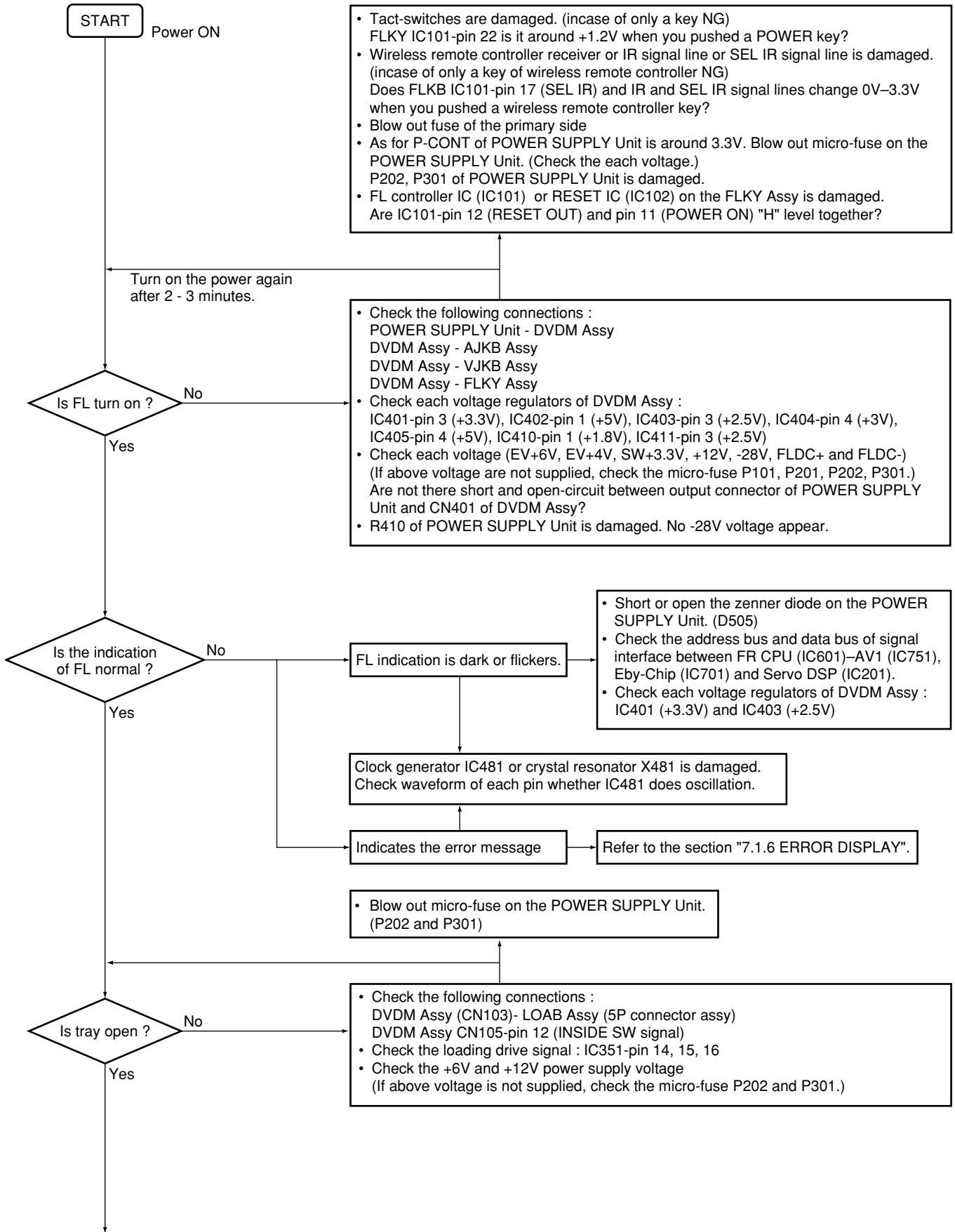
FL	Description of Error	Causes if with a DVD	Causes if with a CD	Operation of the Unit
A 39	SGC converge timeout	SGC could not converge during detects the peak		Open
41	Spindle timeout	The unit did not enter Stop mode within 10 seconds of issuance of a Stop command. Disc distinction is not completed even if passes for 10 seconds after the spindle turned.		Stop
48	Spindle FG transition timeout	Did not reach to the rotating speed that ATB was possible for less than 10 seconds. Did not reach aim CAV lock speed (high: 10%, low: 50%) for less than 10 seconds. CAV process passed more than 5 seconds or abnormal speed was detected. Spindle does not lock for less than 3 seconds in the BCA read start or end.		Stops. (FG timeout)
49	Spindle PLL transition timeout	CAV process passed more than 5 seconds. Abnormal speed was detected.		Stops. ("73" is displayed during starting process.)
B 4A	Spindle lock timeout	Spindle could not lock more than 1.5 seconds before start the AFB.		Stops. ("73" is displayed during starting process.)
51	Auto sequence timeout of peak detection	ABUSY did not return within 1 second after the DDTCT (peak detection) command was sent.		Stop
52	Auto sequence timeout of focus jump down	ABUSY did not return within 30 mS after the FJMPD (Focus jump 1 to 0) command was sent.		Open
53	Auto sequence timeout of focus jump up	ABUSY did not return within 30 mS after the FJMPU (Focus jump 0 to 1) command was sent.		Open
54	Auto sequence timeout of play AGC	ABUSY did not return within 50 mS after the GSUMON (play-AGC-measuring) command was sent.		Stop
C 55	Auto sequence timeout of disc-type-sensing	ABUSY did not return within 2 seconds after the DJSRT (disc-sensing) command was sent.		Stop
56	Auto sequence timeout of ATB2	ABUSY did not return within 1 second after the TBLOFS (Internal ATB after the completion of external ATB) command was sent.		Stop
57	Auto sequence timeout of tracking servo ON	ABUSY did not return within 0.5 sec. after the TSON (tracking servo ON) command was sent.		Stop
58	Auto sequence timeout of ATB1	ABUSY did not return within 0.2 sec. after the TBL (external ATB) command was sent.		Stop
59	Auto sequence timeout of focus gain adjustment	ABUSY did not return within 2 seconds after the FGN (focus gain adjustment) command was sent.		Stop
D 5A	Auto sequence timeout of tracking gain adjustment	ABUSY did not return within 2 seconds after TGN (tracking gain adjustment) command was sent.		Stop
5B	Auto sequence timeout of offset adjustment	ABUSY did not return within 1 second after the AVE (offset adjustment) command was sent.		Stop
5C	Auto sequence timeout of modulation factor measurement	ABUSY did not return within 200 mS after the ADJMIR (modulation factor measurement) command was sent.		Stop
5D	Auto sequence timeout of auto focus bias	ABUSY did not return within 2 seconds after the AFB (auto focus bias) command was sent.		Stop
E 5F	Auto sequence already busy	A command could not be sent because ABUSY was low. ABUSY did not return within 200 mS after TLV command was sent.		Stop
62	Pause retry error	Pause mode could not be restored within three retries after it had been released.		Continues operation
71	ID reading check during playback	An ID could not be read for 1 second or more.		Stop
72	Subcode check failure during playback		No frame could be read for 3 seconds or more.	Stop
73	ID can not read during startup	An ID could not be read within 1 second after the AFB tracking on.		Opens (ID readout failure)

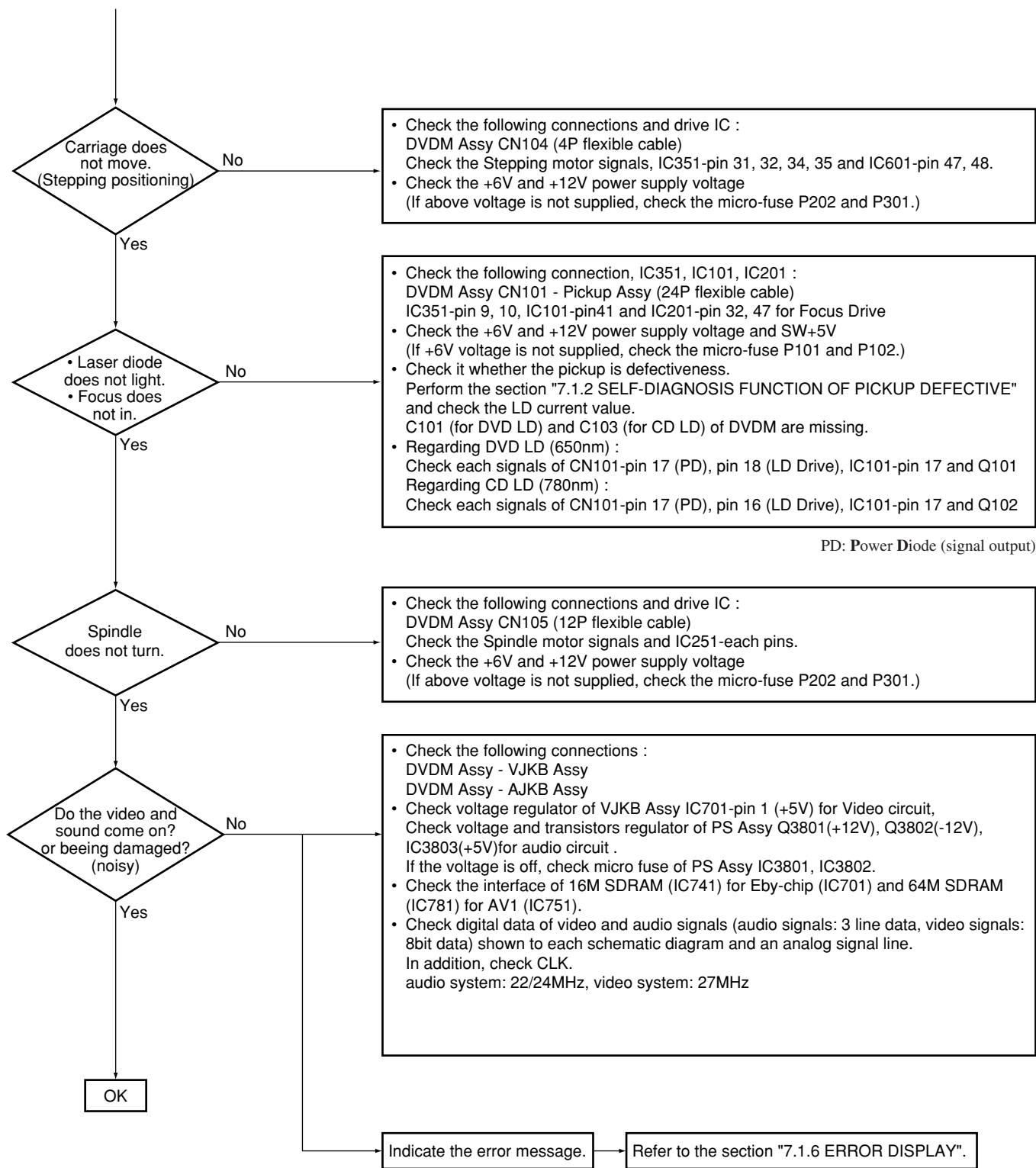
FL	Description of Error	Causes if with a DVD	Causes if with a CD	Operation of the Unit
74	Subcode check failure during startup		Subcode could not be read within 1 second after the tracking on.	Opens (Subcode readout failure).
A1	Communication timeout of DSP command	A command could not be issued to DSP because Command Busy (XCBUSY) was in force (XCBUSY = L) for a specified time (about 200 μ S).		Open
A2	Communication timeout for reading DSP coefficient	Command Busy (XCBUSY) was in force for a specified time (about 200 μ S) before and after a coefficient read command was issued to DSP, or the address echo-back after command issuance did not match the setup address.		Open
A4	Communication timeout for continuously writing DSP coefficient	Command Busy (XCBUSY) was in force for 200 μ S during continuous coefficient writing, or before and after a continuous write command was issued to DSP.		Open
B1	Timeout error for backup	In the backup sequence, codes could not be read for fixed time.		Stops
B2	Retry error for backup	Cannot close tracking even if performs backup fixed number of times.		Stops
B3	Retry error for trace	During tracing, do not restore after the runaway detection backup was performed several times.		Stops
C3	Detection of tracking overcurrent	During playback, the overcurrent detection port was at L for 300 ms or more continuously.		Stops (the mechanical controller operates independently).
(C5)	Short-circuit test corresponding error	After the overcurrent detection (C3 error), furthermore the overcurrent detection port was at L for 300 mS or more continuously.		Turns off the power instantly (No indication on the FL display and no writing to flash memory)
F5	Tray being pushed	The tray switch that had been Open mode was forcibly changed to a mode other than Open by an external force.		Closes
F6	Code reading NG		(PH code nothing) When Philips code is not readable during LD starting, and a code was not readable after the slider moved to FWD and REV directions slowly each for five seconds. (PRD) In the CD starting, when a subcode of TOC part was not readable, but the subcode of the program area was readable.	Search, scan and special playback prohibition, Playback as playback CD-R (PRD mode) as it is.
F8	Loading timeout	Loading or unloading could not be completed within a specified time (about 10 seconds). Though a portable cover is opening, when a close command was issued from the system controller.		Reverses the loading direction. If timeout is repeated upon retry, the unit stops.
FC	Focus	<ul style="list-style-type: none"> Focus ON sequence could not be completed more than two seconds. Auto sequence command was finished, actually focus ON was not completed. Focus did not enter even if retried it eight times. 		Stops wherever possible then opens (stops in the case of side B).

Error codes that are displayed on the FL display by using the remote control unit (Device error)
To display: ESC + DISPLAY + DISPLAY; Location of the display: At the two digits of left of the FL display

FL	Description of Error	Causes if with a DVD	Causes if with a CD	Operation of the Unit
bit4=1 10 etc.	Mechanism controller RAM check sum error			No operation or it becomes debugging indication if the power is able to ON.
bit3=1 08 etc.	AV1 access error (read, write NG)			
bit2=1 04 etc.	LSI11 access error			
bit0=1 01 etc.	SRAM access error			

7.1.7 TROUBLE SHOOTING

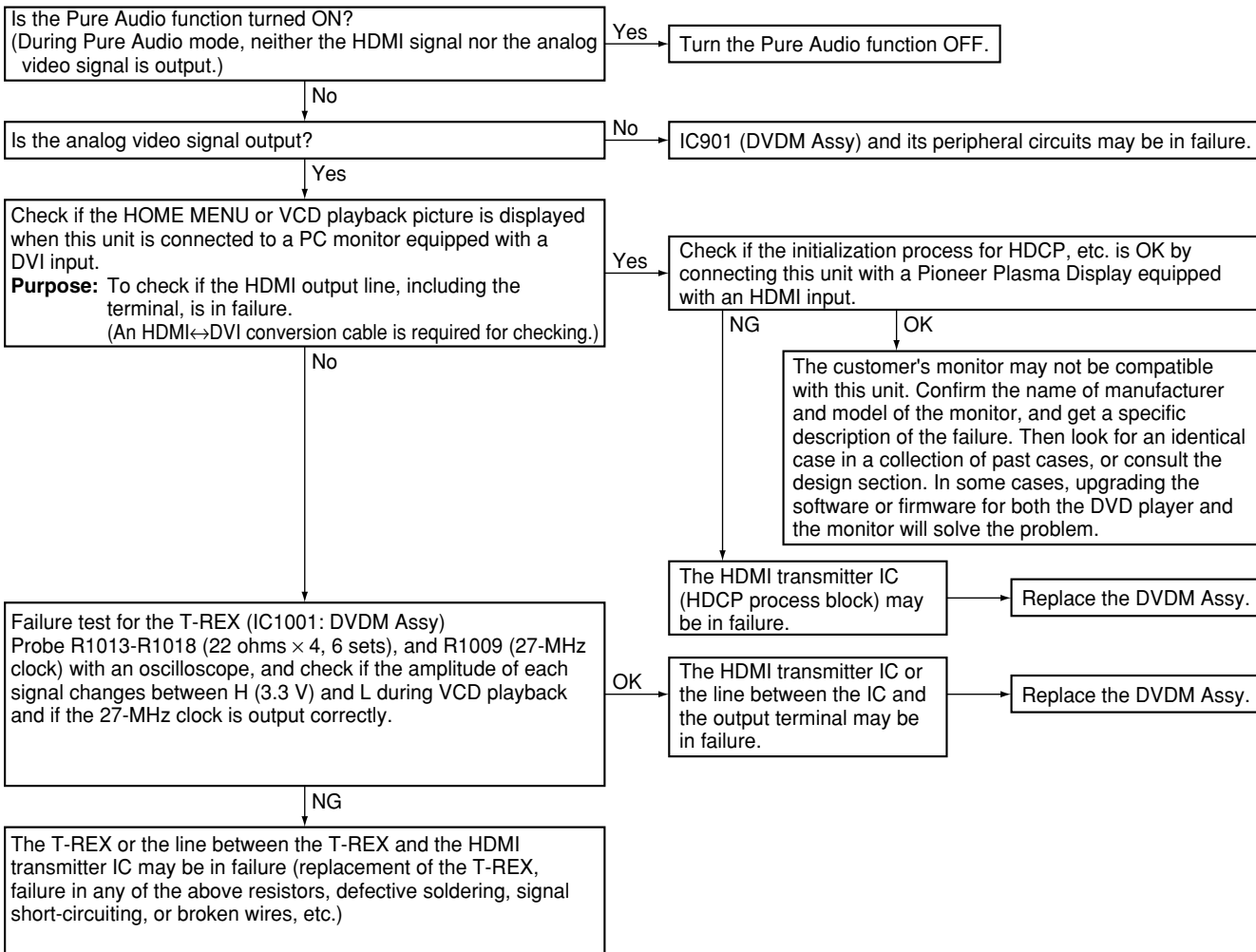




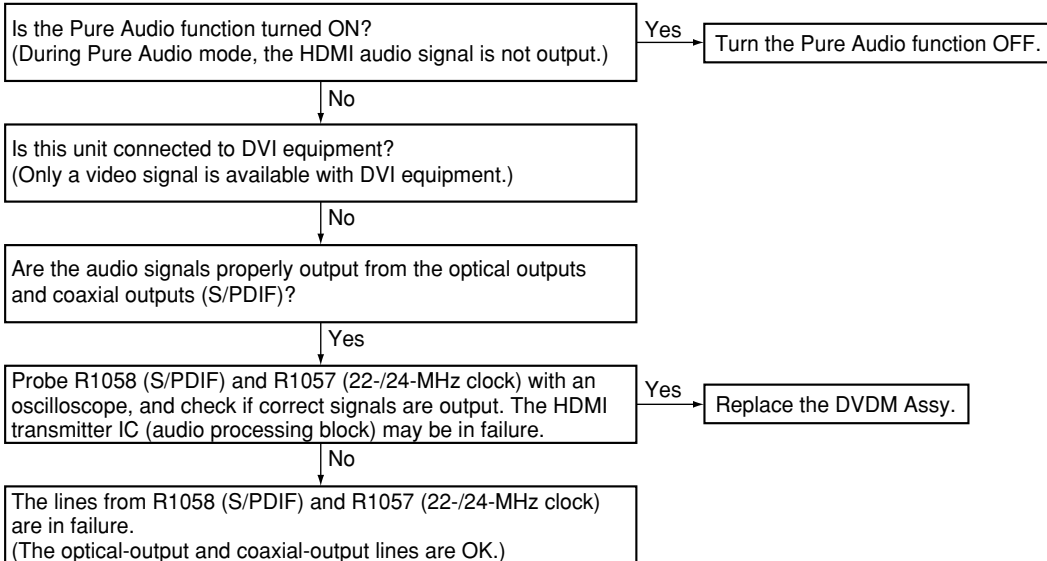
7.1.8 FAILURE-TEST METHOD FOR THE HDMI TRANSMITTER IC

- When replacing the DVDM Assy, see "7.1.10 DISASSEMBLY"

In a case where the HDMI video signal is not output



In a case where the HDMI audio signal is not output



7.1.9 SERIAL-DOWNLOAD

■ SERIAL DOWNLOAD

[Purposes]

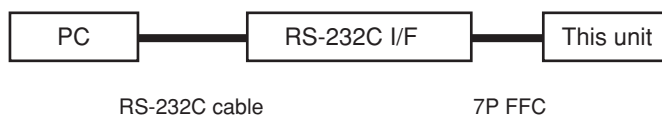
1. To upgrade the system controller and / or host controller.
2. This method is used when disc downloading fails.

[Tools to be used]

- PC with a serial port
- RS-232C straight cable
- RS-232C I/F Special device (GGF1348)
- 7P FFC (VDA1681)
- Program for downloading (UFU.exe)
- Firmware

[Connection]

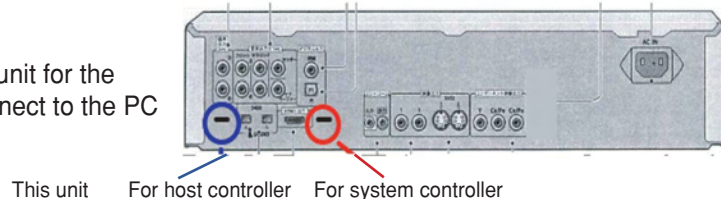
Connect as indicated in the figure below:



[Note]

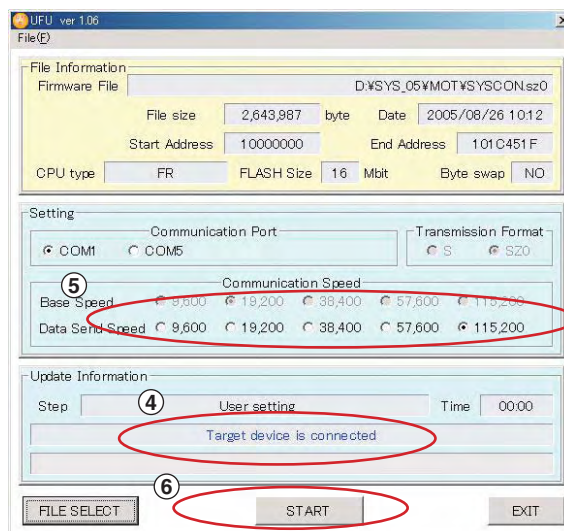
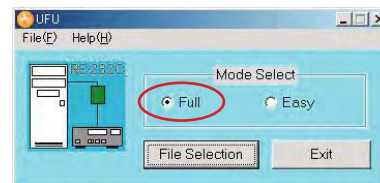
Note on download connectors of the DV-79AVi-S

Separate download connectors are provided on the unit for the system controller and host controller. Be sure to connect to the PC via the appropriate connector.



[Procedures]

- ① Connect the 232C I/F jigs above way.
- ② Turn on the PC and execute the UFU.exe file.
- ③ Select the Firmware. ("sz0" file)
- ④ Turn on the DVD player and start the downloading.
The message "Target has been connected/started." will be displayed.
- ⑤ Select the Communication Speed (Baud Rate)
 - a) Base Speed 19,200
 - b) Data Send Speed 115,200
- ⑥ START
 - Downloading may fail because of a communication error. In such a case, click on "START" again.
 - If downloading fails three times or more, there may be other cause.
 - It takes about 5 minutes to download the firmware.

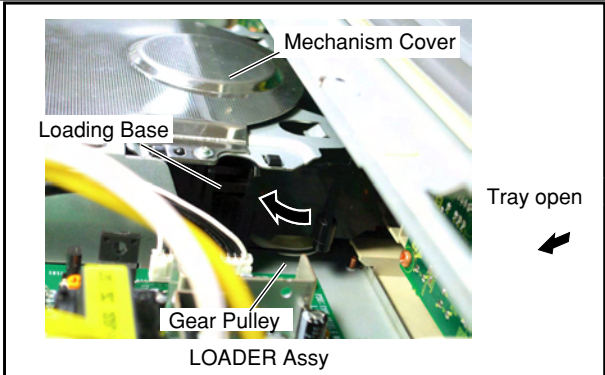


7.1.10 DISASSEMBLY

Note 1 : Even if the unit shown in the photos and illustrations in this manual may differ from your product, the procedures described here are common.

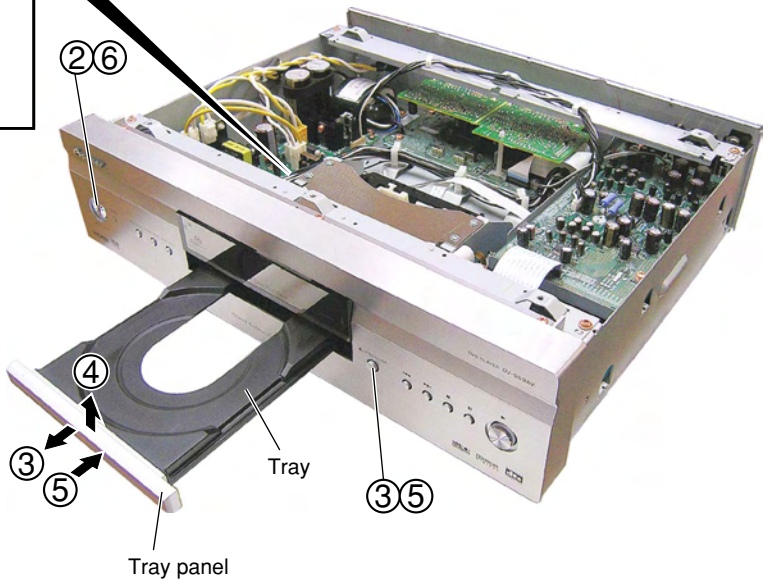
Note 2 : For performing the diagnosis shown below, the following jigs for service are required:
• 17P flexible cable for service (GGF1157) • Extension board (GGF1430)

Diagnosis of the PCBs



How to open the tray when the power cannot be on.

Turn the gear pulley clockwise as indicated. In the photo when the tray opens a little, pull out by hand.

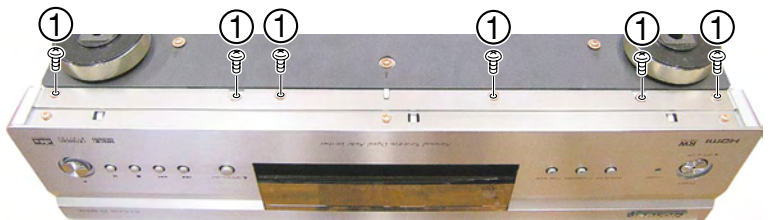


1 Bonnet and Tray Panel

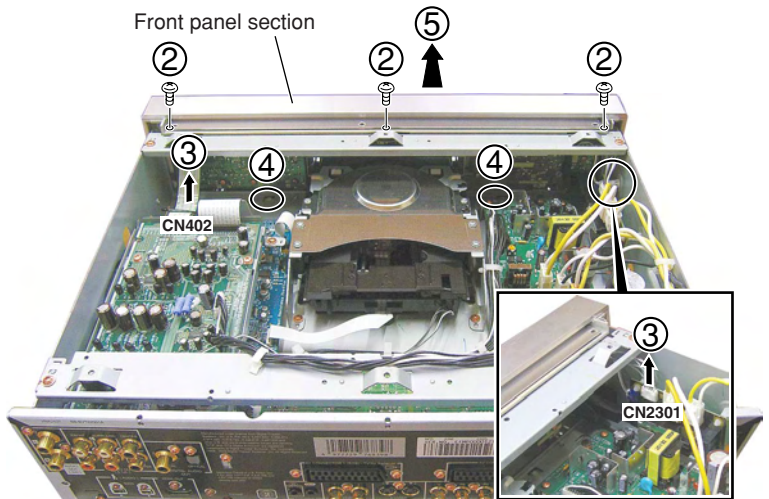
- ① Remove the bonnet by removing the fifteen screws.
- ② Press the ⏻ POWER button to turn on the power.
- ③ Press the ▲ OPEN/CLOSE button to open the tray.
- ④ Remove the tray panel.
- ⑤ Press the ▲ OPEN/CLOSE button to close the tray.
- ⑥ Press the ⏻ POWER button to turn off the power.

2 Front Panel Section

- ① Remove the six screws.
- ② Remove the three screws.
- ③ Disconnect the one connector and one flexible cables.
- ④ Remove the two hooks.
- ⑤ Remove the front panel section.

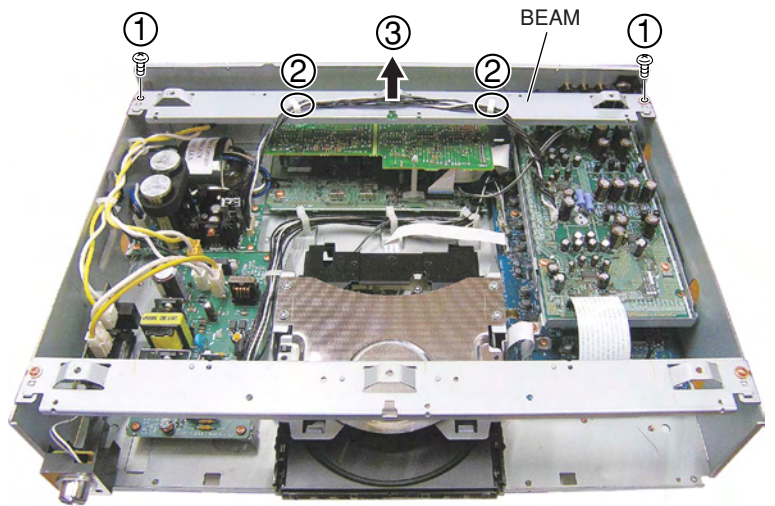


• Bottom view



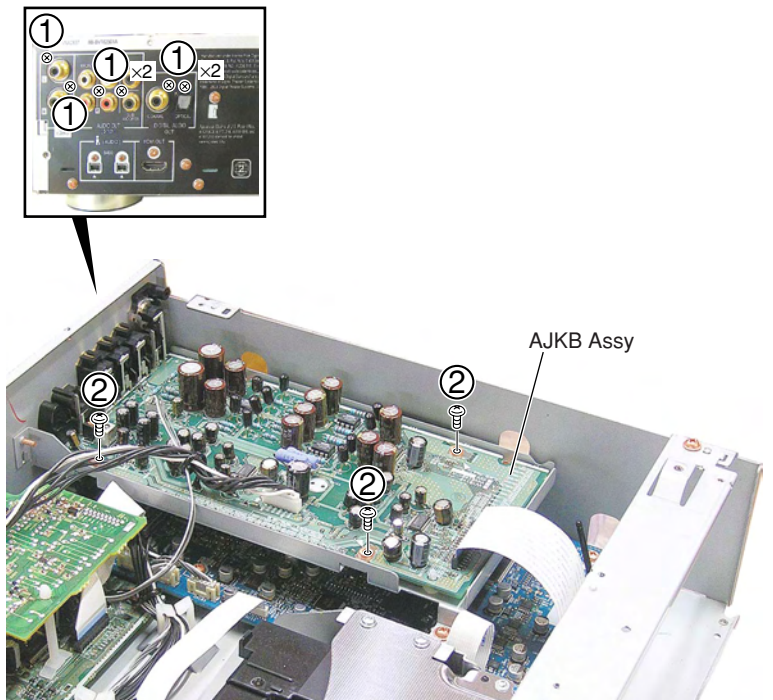
3 BEAM 989

- ① Remove the two screws.
- ② Release the jumper wire from the two clamber.
- ③ Remove the BEAM.



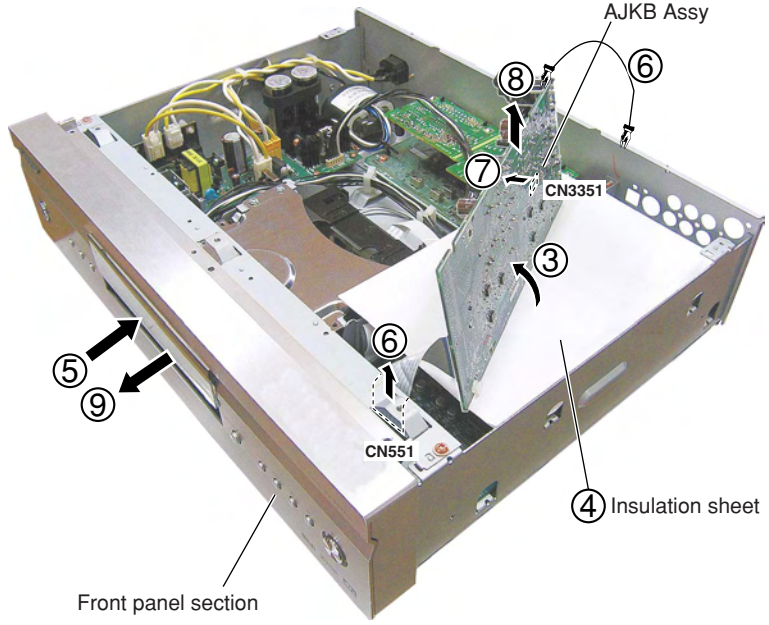
4 AJKB Assy

- ① Remove the six screws.
- ② Remove the three screws.



- A ③ Remove the AJKB Assy and stand it against the other parts.
- ④ Insert the insulation sheet.
- ⑤ Re-attach the front panel section.

↓
Diagnosis



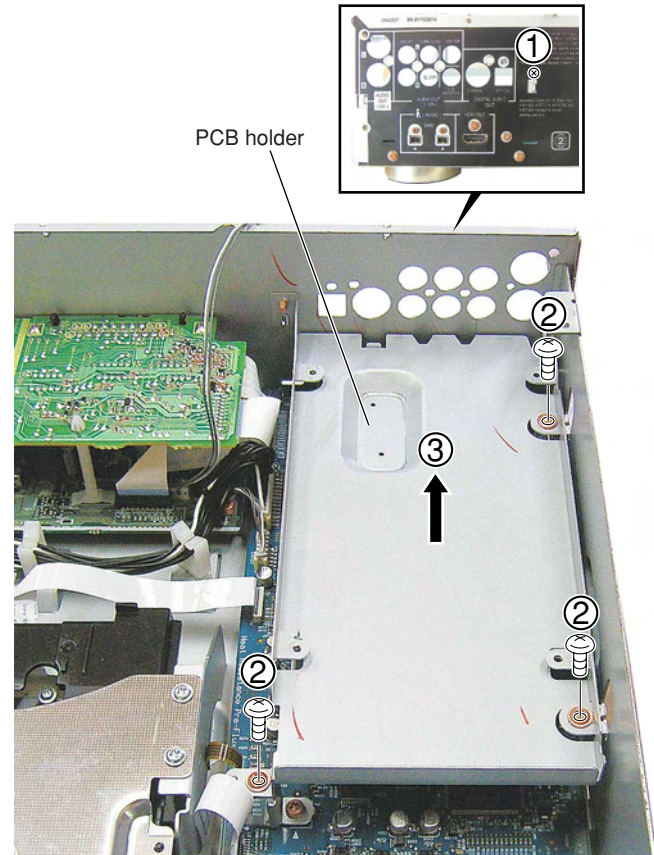
- B ⑥ Connect the rear-panel to outer of pinjack by wire. (GND plate)
- ⑦ Disconnect the one connector and one flexible cables.
- ⑧ Remove the AJKB Assy.
- ⑨ Remove the front panel section.

C

5 PCB Holder

- ① Remove the one screw.
- ② Remove the three screws.
- ③ Remove the PCB holder.

D

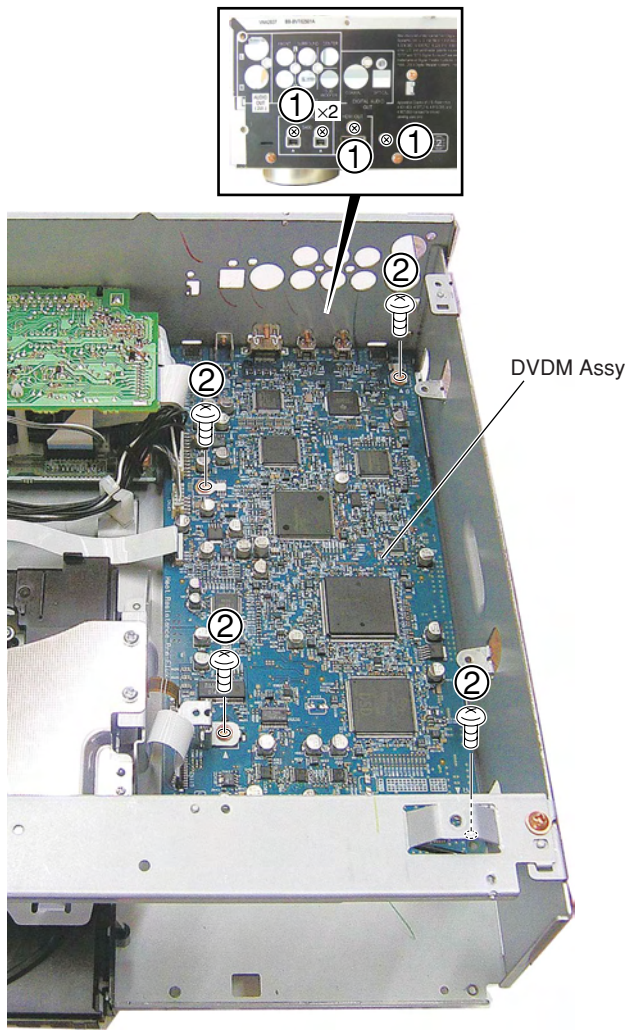


E

F

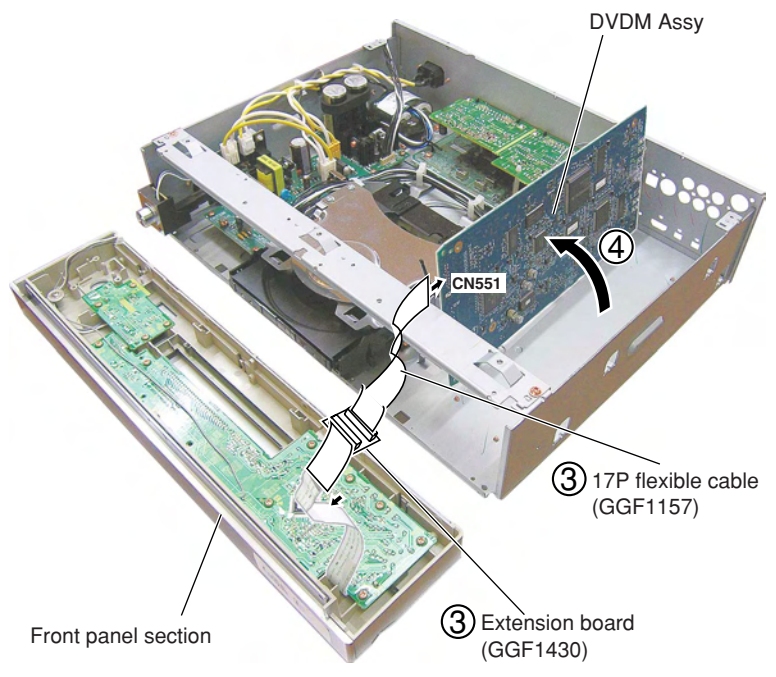
6 DVDM Assy

- ① Remove the four screws.
- ② Remove the four screws.



- ③ Connect the 17P flexible cable and the extension board.
- ④ Remove the DVDM Assy and stand it against the other parts.

↓
Diagnosis



7 LOADER MECHA. Assy

① Short-circuit two points of C and D by soldering.

Note: After replacement, connect the flexible cable, then remove the soldered joint (open).

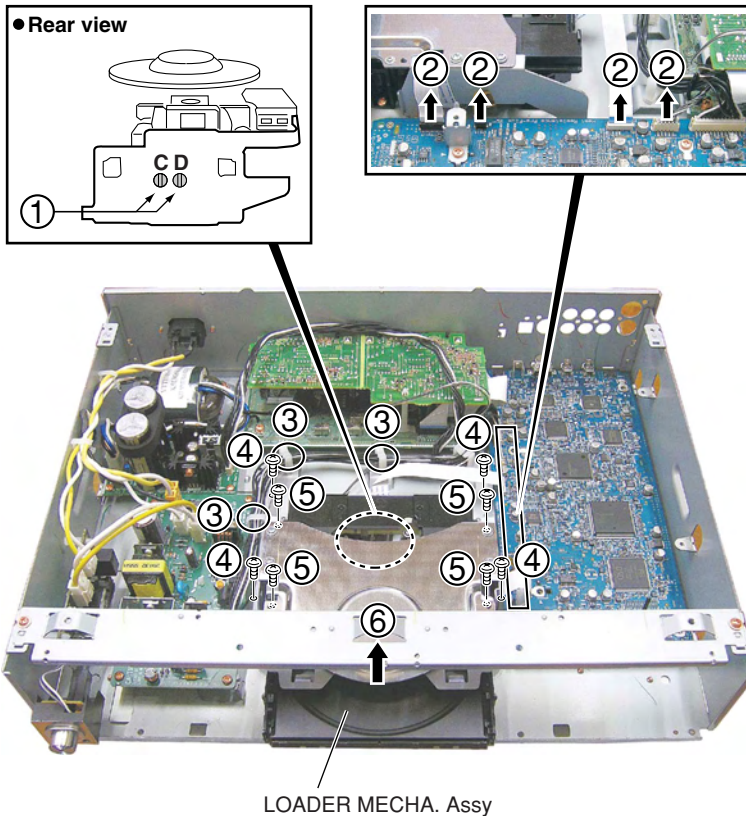
② Disconnect the one connector and three flexible cables.

③ Release the jumper wire from the three clampers.

④ Remove the four screws.

⑤ Remove the four screws.

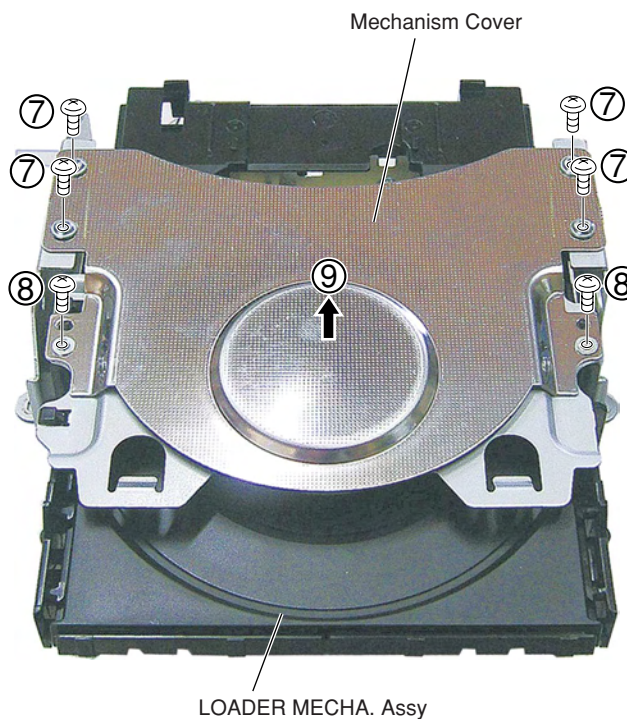
⑥ Remove the LOADING MECHA. Assy.



⑦ Remove the four screws.

⑧ Remove the two screws.

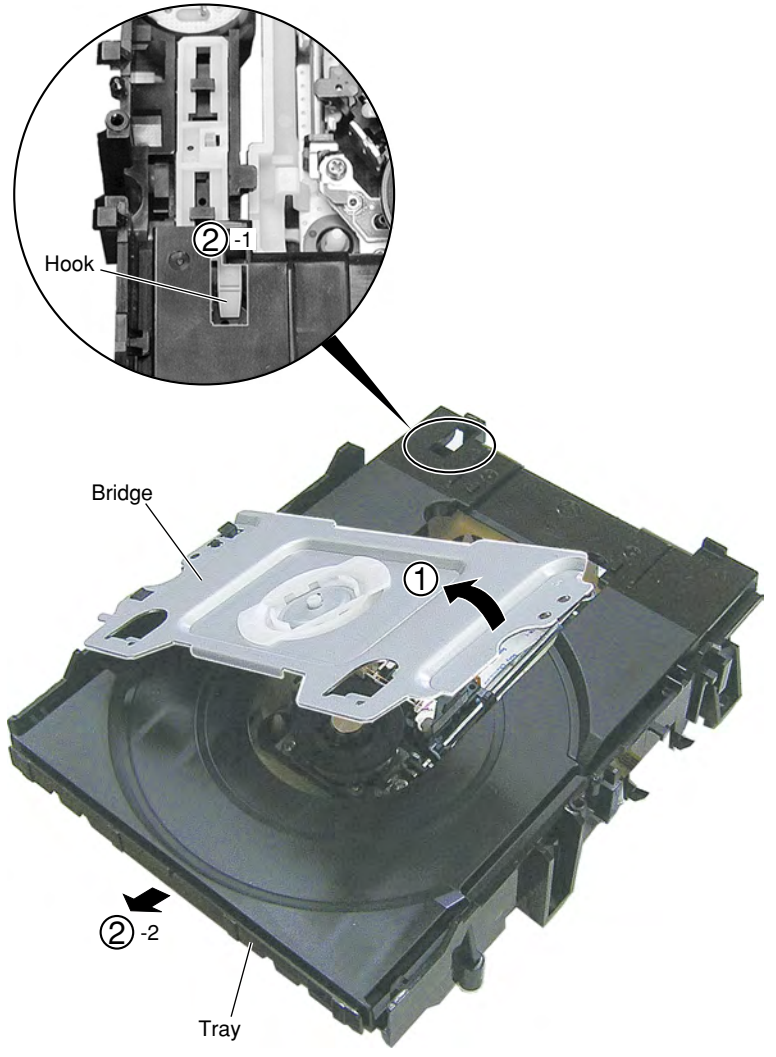
⑨ Remove the Mechanism Cover.



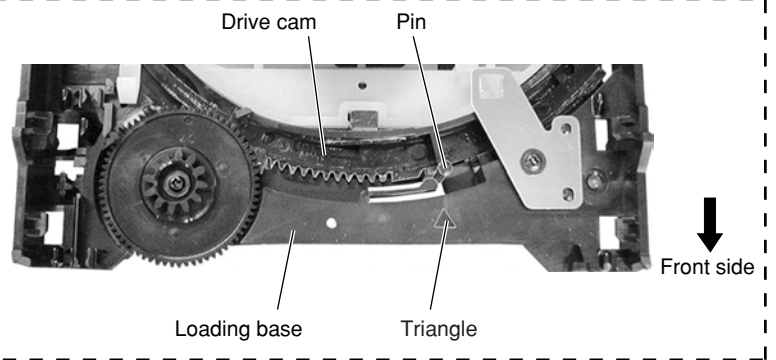
Removing the Traverse Mecha. Assy-S and Pickup Assy-S

1 Bridge and Tray

- ① Remove the bridge.
- ② Pull out the tray, then remove it by pressing the hook.

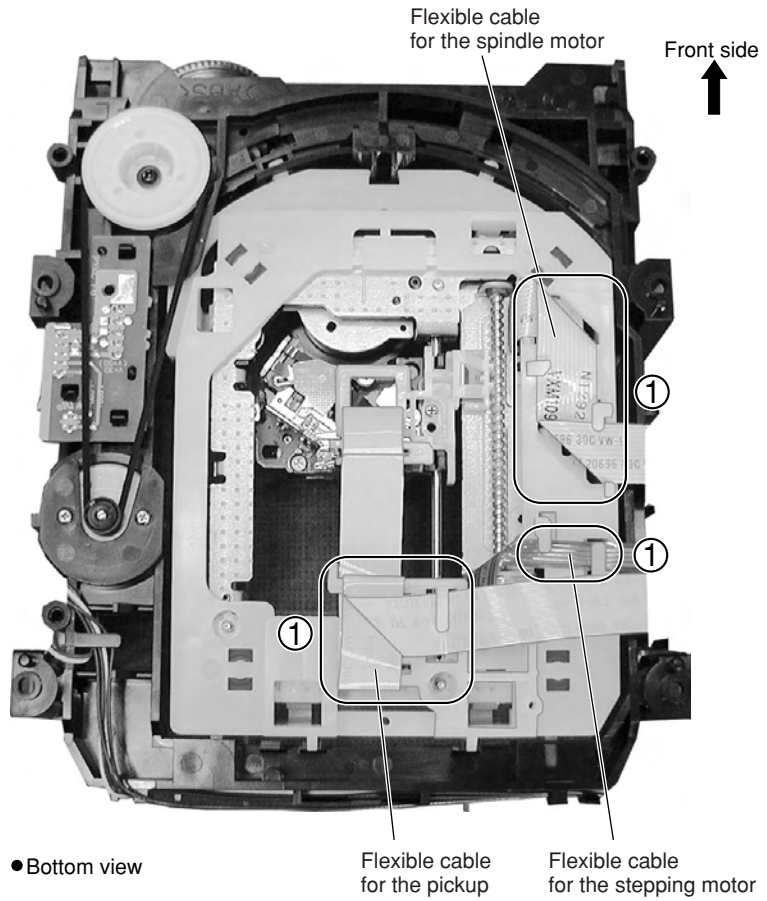


Note when reinserting the tray
 When reinserting the tray, first align the triangle printed on the loading base and the pin of the drive cam, then insert the tray.



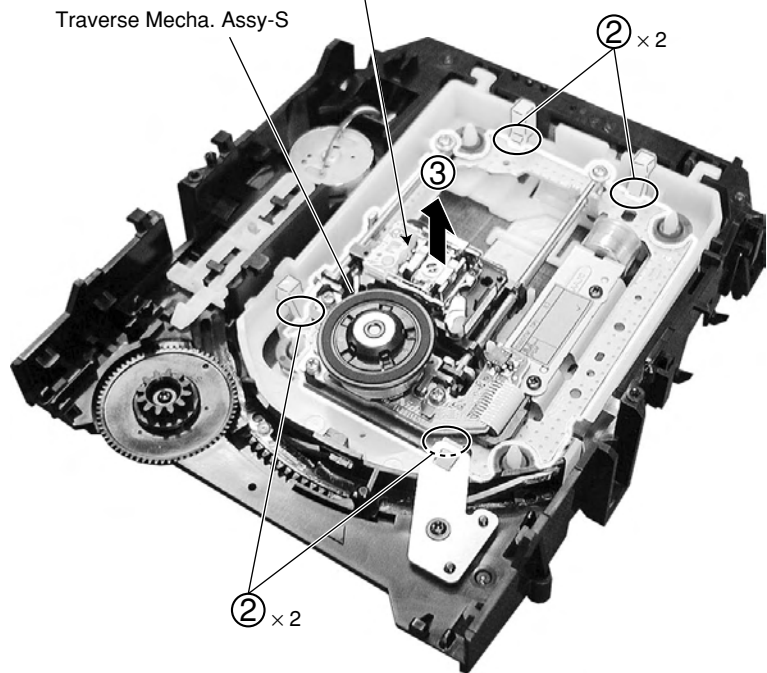
2 Traverse Mecha. Assy-S

- ① Dislodge the flexible cables from their factory placement.



- Cleaning paper GED-008
- Cleaning liquid GEM1004

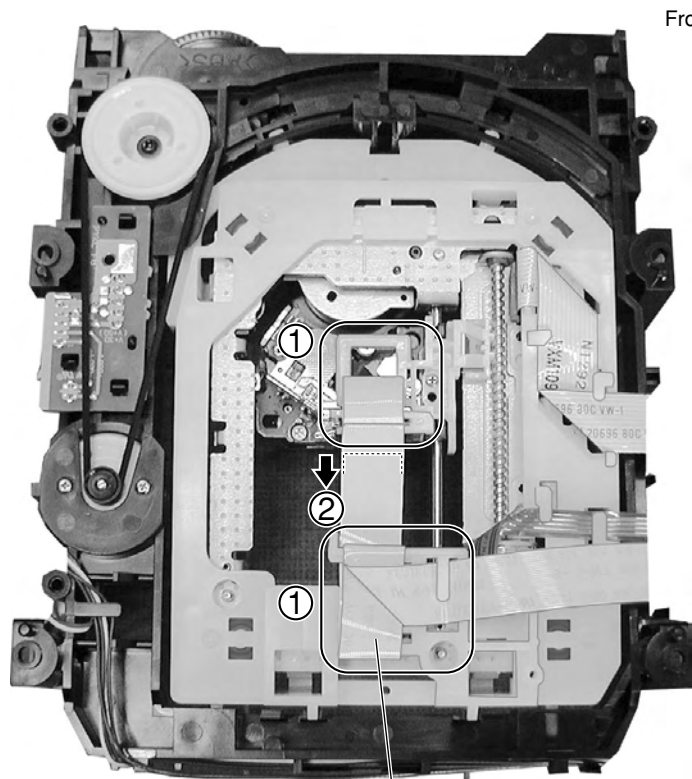
- ② Remove the four hooks.
- ③ Remove the Traverse Mecha. Assy-S.



3 Pickup Assy-S

Note: The Pickup Assy-S can be removed without removing the Traverse Mecha. Assy-S. (shown as Step 2.)

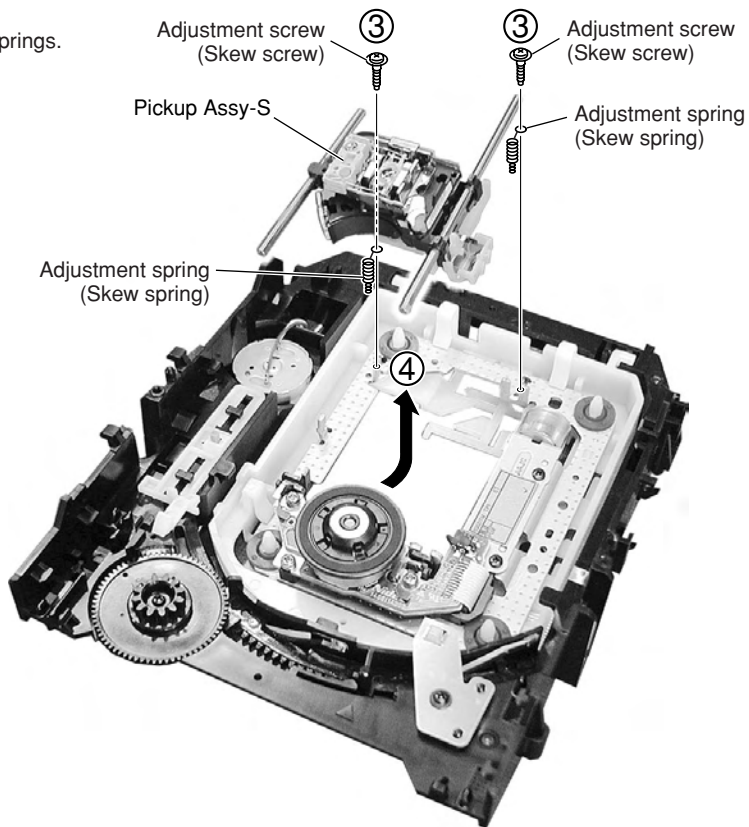
- ① Dislodge the flexible cable for the pickup from its packaged placement.
- ② Remove the flexible cable for the pickup.



Flexible cable for the pickup

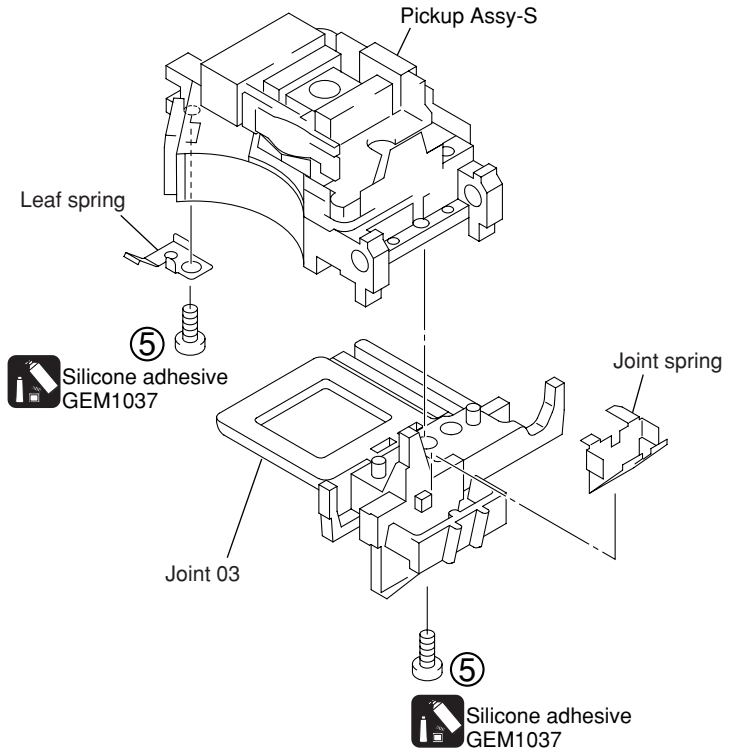
● Bottom view

- ③ Remove the two adjustment screws and two adjustment springs.
- ④ Remove the Pickup Assy-S.



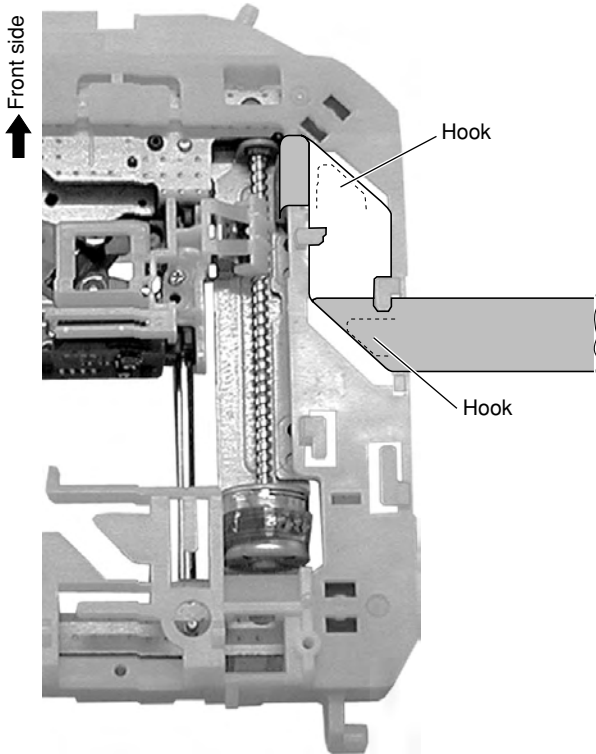
⑤ Remove the two screws.

Note: The screws are secured with the silicone adhesive. Make sure to apply the silicone adhesive after reattaching the screws.



Arrangement of the flexible cable for the spindle motor

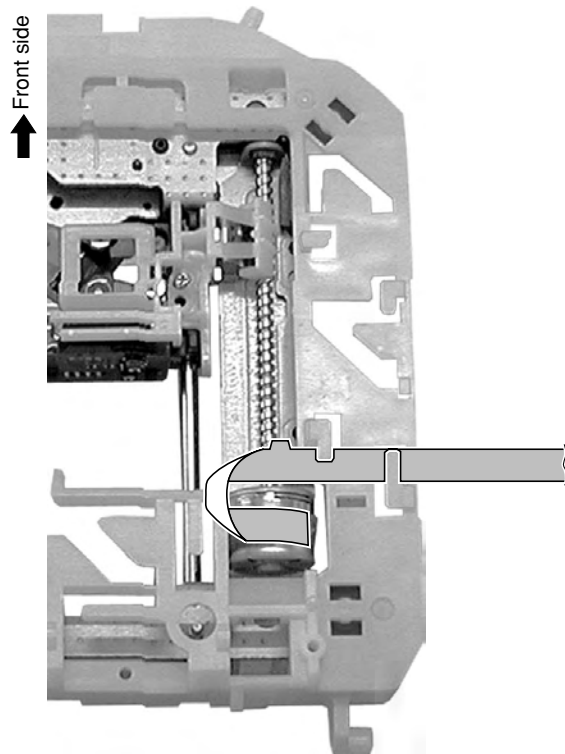
■ : Conductive surface



● Bottom view


Arrangement of the flexible cable for the stepping motor

■ : Conductive surface



● Bottom view

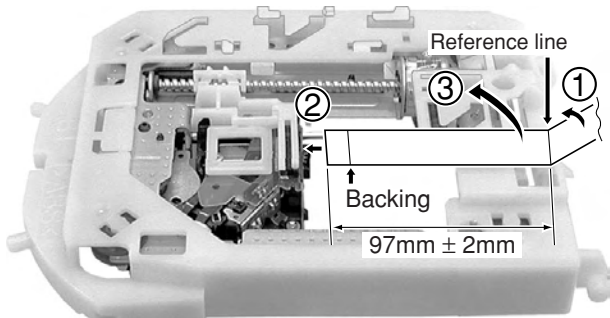
Arrangement of the flexible cable for the pickup

 : Conductive surface

Note:

Be sure to move the Pickup Assy-S to the innermost perimeter.

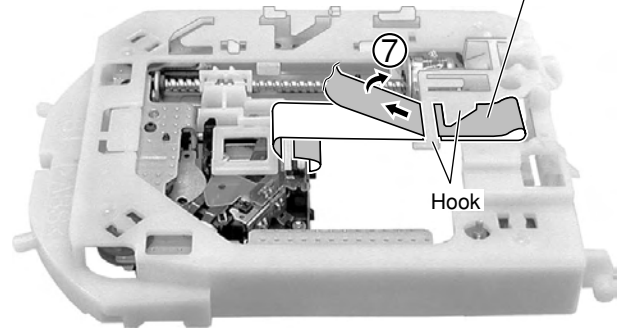
- ① Fold the flexible cable inward at the position of the reference line.
- ② Attach the flexible cable of the pickup to the connector.
- ③ Fold the flexible cable of the pickup with the backing inward.



Front side ← • Bottom view

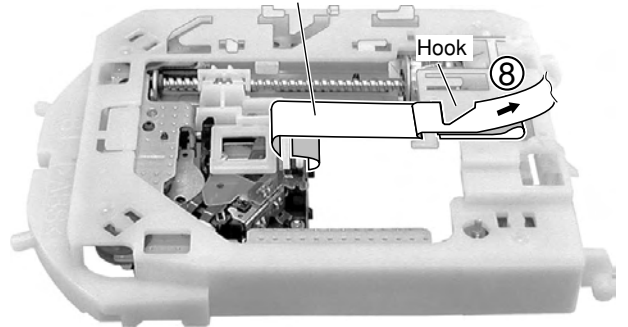
- ⑦ Pass the flexible cable below the hook, and fold it back.

Make sure that the cable does not have any slack

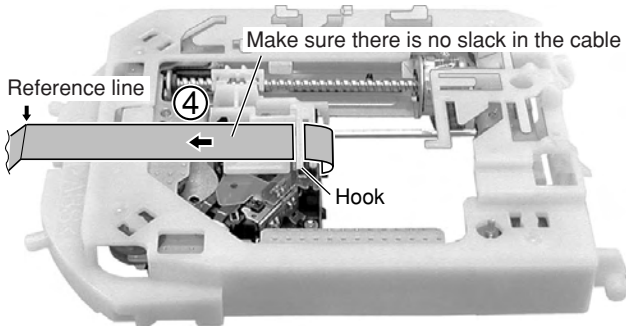


- ⑧ Fold the flexible cable back at the hook.

Make sure that the cable is loose

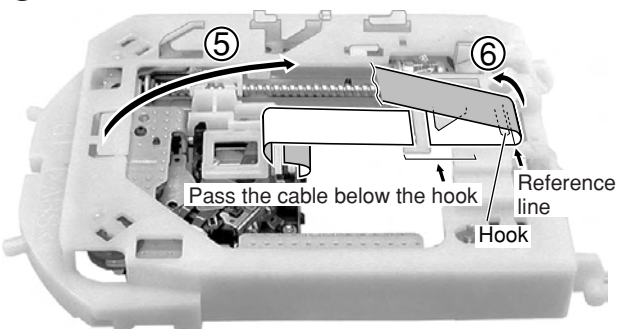


- ④ Pass the flexible cable through the hook not allowing any slack.



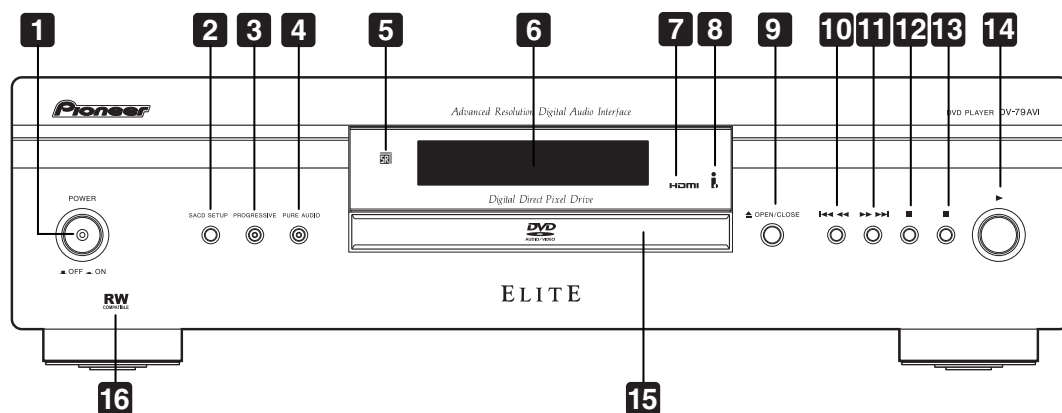
- ⑤ Fold the flexible cable as indicated in the photo.

- ⑥ Hook the part folded in Step ① to the hook.



8. PANEL FACILITIES

Front panel



1 POWER switch

Press to switch the player on (the power indicator lights blue when the power is on) or off.

2 SACD SETUP button

Press to select which part of an SACD disc you want to listen to—stereo audio (2ch Area), multi-channel audio (Multi-ch Area) and, for hybrid SACDs, standard CD audio (CD Area).

3 PROGRESSIVE button/indicator

Press to switch the component video output mode between progressive and interlace. The indicator lights in progressive scan mode.

4 PURE AUDIO button/indicator

When the player is stopped, press to switch off/on the front panel display and disable the video and digital outputs*. Use this when you want to hear audio from the analog outputs with no interference from other signals (when listening to a DVD-Audio disc, for example). The indicator lights when the Pure Audio feature is switched on.

* These include i.LINK, HDMI, and the coaxial and optical digital outputs.

5 Remote control sensor

The remote control has a range of up to about 7m.

6 Display

for a description of the display.

7 HDMI indicator

Lights when this player is recognized by another HDMI or DVI/HDCP compatible component.

8 i.LINK indicator

Lights when this player is recognized by another i.LINK compatible component.

9 OPEN/CLOSE

Press to open or close the disc tray (when in standby, this button will also switch the power on).

10 ◀◀ ◀◀ (reverse scan/skip)

- Press and hold for fast reverse scanning
- Press to jump back to the beginning of the current chapter or track, then to previous chapters/tracks

11 ▶▶ ▶▶ (forward scan/skip)

- Press and hold for fast forward scanning
- Press to jump to the next chapter or track

12 ■ (stop)

Press to stop the disc (you can resume playback by pressing ▶ (play)).

13 || (pause)

Press to pause playback. Press again to restart.

14 ▶ (play)

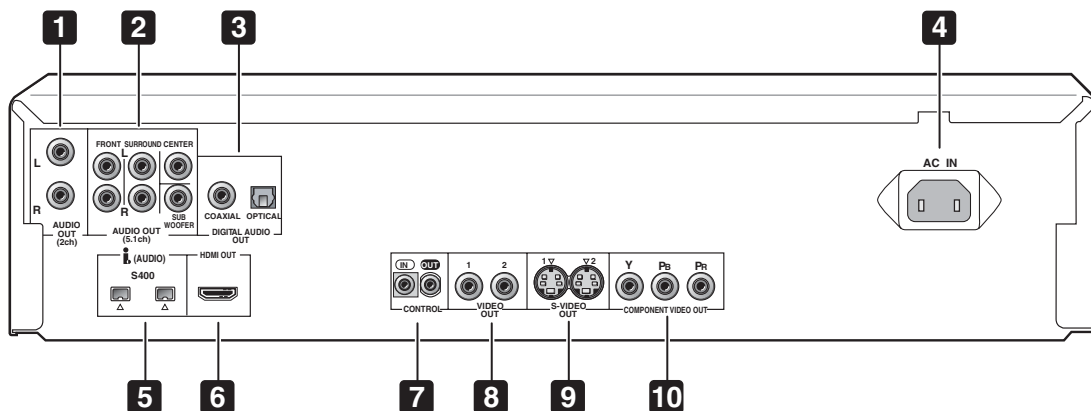
Press to start or resume playback (when in standby, this button will also switch the power on).

15 Disc tray

16 RW COMPATIBLE

This mark indicates compatibility with DVD-RW discs recorded on a DVD recorder in Video Recording mode.

Rear panel



When connecting this player up to your TV, AV receiver or other components, make sure that all components are switched off and unplugged.

1 AUDIO OUT (2ch)

Two channel analog audio outputs for connection to your TV, AV receiver or stereo system.

2 AUDIO OUT (5.1ch)

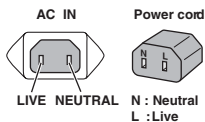
Multichannel analog audio outputs for connection to an AV receiver with multichannel inputs.

3 DIGITAL AUDIO OUT – OPTICAL / COAXIAL

Digital audio outputs for connection to a PCM, Dolby Digital, DTS and/or MPEG-compatible AV receiver.

4 AC IN

Connect the supplied power cord here, then plug into a power outlet. Refer to the illustration below when doing so to make sure the neutral and live blades are lined up properly.



5 (AUDIO) – i.LINK connectors

4-pin, S400 i.LINK connectors for connection to i.LINK-equipped receivers and other components. Each i.LINK connector acts simultaneously as both input and output.

6 HDMI OUT

HDMI output providing a high quality interface for digital audio and video.

7 CONTROL IN / OUT

For passing remote control signals to other Pioneer components.

8 VIDEO OUT (1&2)

Standard video output(s) that you can connect to your TV or AV receiver using the supplied audio/video cable.

9 S-VIDEO OUT (1&2)

S-Video output(s) that you can use instead of the VIDEO OUT jacks.

10 COMPONENT VIDEO OUT

High quality video output for connection to a TV, monitor or AV receiver that has component video inputs.

Connect using a commercially available three-way component video cable.

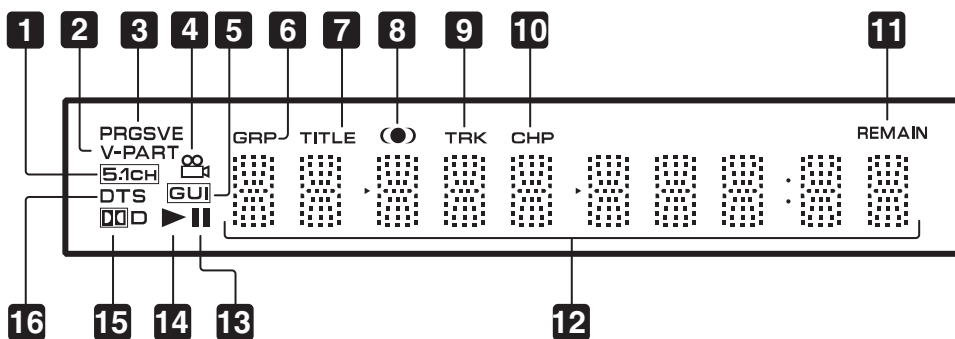
Be careful to match the colors of the jacks and cables for correct connection.



Tip

- You may find it useful to have the manuals supplied with your other components handy when connecting this player.

Display



1 5.1CH

Lights when analog 5.1 channel output is selected.

2 V-PART

Lights when playing a video part of a DVD disc.

3 PRGSVE

Lights when the video output is progressive scan.



Lights during multi-angle scenes on a DVD disc.

5 GUI (Graphical User Interface)

Lights when a menu is displayed on-screen.

6 GRP

Indicates that the character display is showing a DVD-Audio group number.

7 TITLE

Indicates that the character display is showing a DVD-Video title number.



Lights when **Dolby Digital V/TruSurround** is active.

9 TRK

Indicates that the character display is showing a track number.

10 CHP

Indicates that the character display is showing a DVD chapter number.

11 REMAIN

Lights when the character display is showing the time or number of tracks/titles/chapters remaining.

12 Character display

13 II

Lights when a disc is paused.



Lights when a disc is playing.

15 DD

Lights when a Dolby Digital soundtrack is playing.

16 DTS

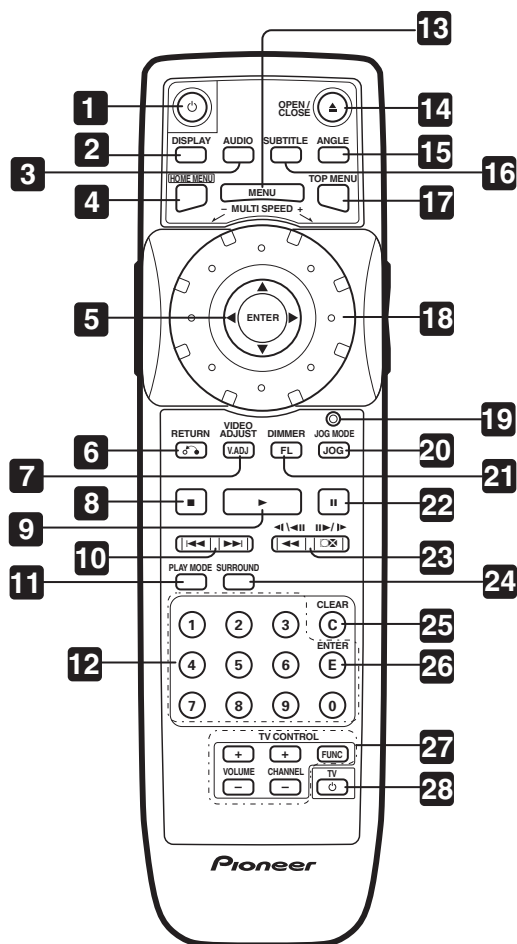
Lights when a DTS soundtrack is playing.

Remote control



Tip

All buttons glow slightly in the dark for ease of use.



1 **STANDBY/ON**

Press to switch the player on or into standby.

2 **DISPLAY**

Press to display information about the disc playing.

3 **AUDIO**

Press to select the audio channel or language.

4 **HOME MENU**

Press to display (or exit) the on-screen display.

5 **ENTER & Joystick**

Use to navigate on-screen displays and menus. Press **ENTER** to select an option or execute a command.

6 **(RETURN)**

Press to return to a previous menu screen.

7 **V.ADJ (VIDEO ADJUST)**

Press to display the Video Adjust menu.

8

Press to stop the disc (you can resume playback by pressing (play)).

9

Press to start or resume playback.

10

Press to jump to the start of the previous / next chapter / track.

11 **PLAY MODE**

Press to display the Play Mode menu (You can also get to the Play Mode menu by pressing **HOME MENU** and selecting **Play Mode**).

12 **Number buttons**

13 **MENU**

Press to display a DVD disc menu, or the Disc Navigator if a DVD-RW, CD, Video CD/Super VCD or MP3 disc is loaded.

14 **OPEN/CLOSE**

Press to open or close the disc tray.

15 **ANGLE**

Press to change the camera angle during DVD multi-angle scene playback.

16 **SUBTITLE**

Press to select a subtitle display.

17 **TOP MENU**

Press to display the top menu of a DVD disc.

18 **MULTI dial**

Use for scanning and slow motion control.

19 **Jog indicator**

Lights when multi dial is in jog mode.

20 **JOG (JOG MODE)**

Press to put switch jog mode on/off. When on, use the **MULTI** dial to advance or reverse frames.

21 **FL (DIMMER)**

Press to change the display brightness.

22

Press to pause playback; press again to restart.

23 and

Use for reverse / forward slow motion playback, frame reverse / advance and reverse / forward scanning.

24 **SURROUND**

Press to activate/switch off **V/TruSurround**.

25 **CLEAR**

Press to clear a numeric entry.

26 **ENTER**

Press to select an option or execute a command.

27 **TV CONTROL buttons** **VOLUME** Use to adjust the volume.

CHANNEL Use to select TV channel. **FUNC** Press **FUNC** to select the TV for remote control operation.

28 **TV** Press **TV** to turn the TV on or into standby.

■ Jigs list

Name	Jig No.	Remarks
Service Remote Control Unit	GGF1381	diagnosis
DVD Data Disc	GGV1174	diagnosis (ID data setting)
17P Flexible Cable	GGF1157	Diagnosis of DVDM Assy
Extension Board	GGF1430	Diagnosis of DVDM Assy
DVD Test Disc (DVD-Video)	GGV1025	Check of DVD-Video
DVD Test Disc (DVD-Audio)	GGV1070	Check of DVD-Audio

■ Lubricants and Glues list



Name	Lubricants and Glues No.	Remark
Dyefree	GEM1036 (ME-913A)	Refer to "2.4 LOADER MECHA SECTION"
Grease	GYA1001 (PN-397)	Refer to "2.4 LOADER MECHA SECTION"
Grease	GEM1018 (G-478B)	Refer to "2.4 LOADER MECHA SECTION"
Silicone Adhesive	GEM1037	Refer to "2.5 TRAVERSE MECHA SECTION"
Screw Tight	GYL1001	Refer to "2.5 TRAVERSE MECHA SECTION"

■ Cleaning



• Before shipping out the product, be sure to clean the following positions by using the prescribed cleaning tools:

Position to be cleaned	Cleaning tools	Remark
Pickup lenses	Cleaning liquid : GEM1004 Cleaning paper : GED-008	Refer to "2.5 TRAVERSE MECHA SECTION" , "7.1.10 DISASSEMBLY SECTION".