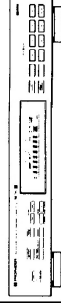


Service Manual

 **PIONEER**
The Art of Entertainment



ORDER NO.
ARP2864

FM/AM DIGITAL-SYNTHESIZER TUNER **F-203RDS**

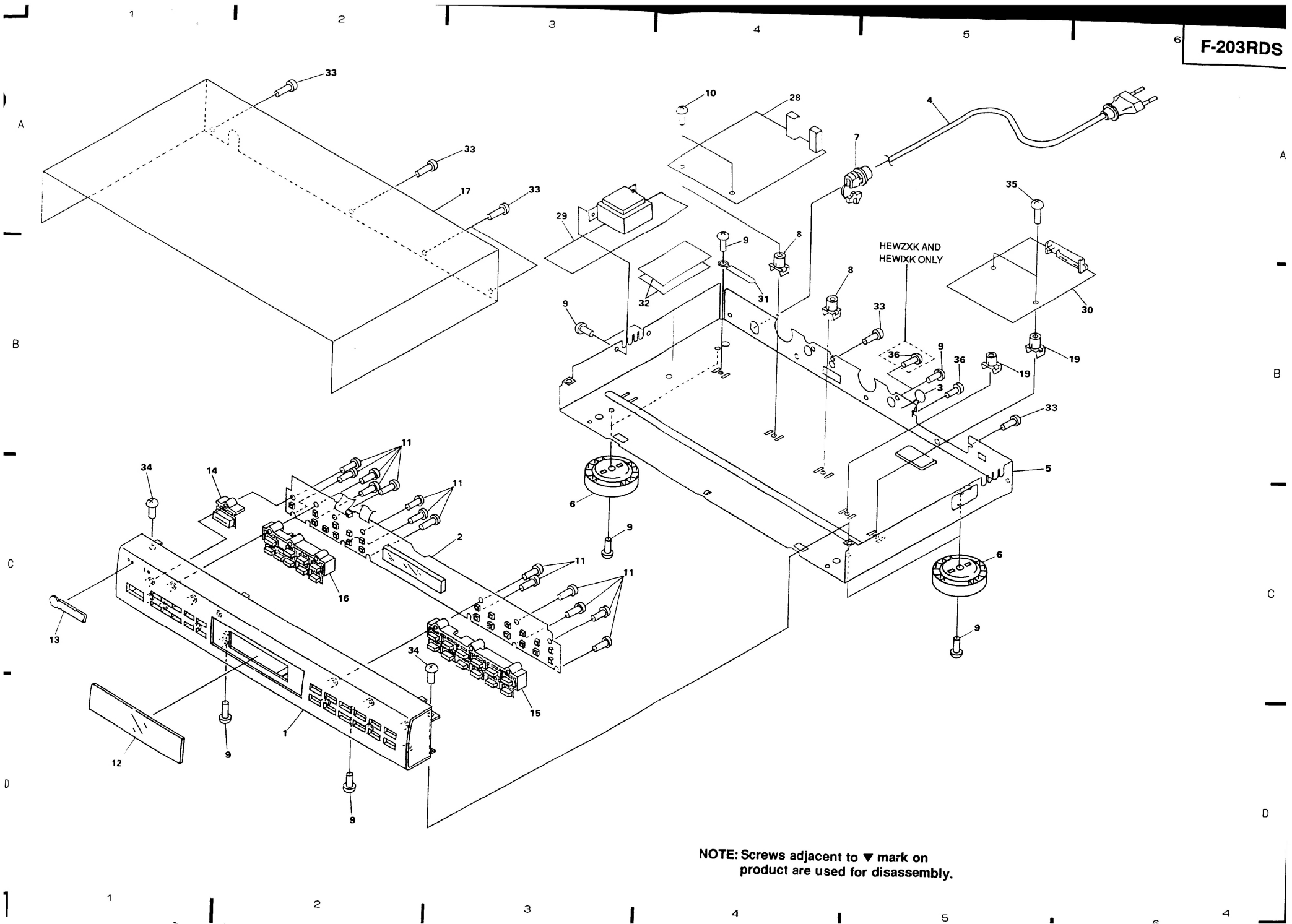
THIS MANUAL IS APPLICABLE TO THE FOLLOWING MODEL(S) AND TYPE(S).

Type	Model	Power Requirement	The voltage can be converted by the following method.
	F-203RDS		
HEXX	○	AC220-230V	AC240V, *
HBXX	○	AC240V	AC220-230V, *
HEWZXX	○	AC220-230V	AC240V, *
HEWIXX	○	AC220-230V	AC240V, *

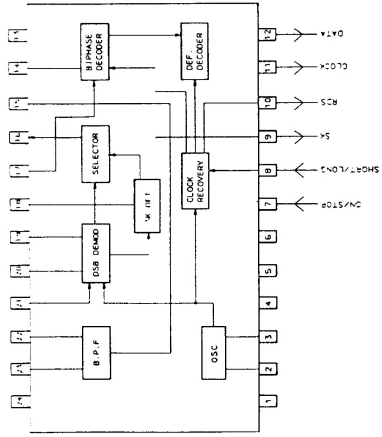
* : Alter the wiring of the Power-supply block at the primary winding of Power-transformer referring to the "Line Voltage Selection" described in Service Manual.

PIONEER ELECTRONIC CORPORATION 4-1, Meguro 1-Chome, Meguro-ku, Tokyo 153, Japan
PIONEER ELECTRONICS SERVICE INC. P.O. Box 1760, Long Beach, California 90801 U.S.A.
PIONEER ELECTRONICS OF CANADA, INC. 300 Allstate Parkway Markham, Ontario L3R 3P2 Canada
PIONEER ELECTRONIC [EUROPE] N.V. Haven 1087 Kesterbeiglaan 1, 9120 Melsele, Belgium
PIONEER ELECTRONICS AUSTRALIA PTY. LTD. 178-184 Boundary Road, Braeside, Victoria 3195, Australia TEL: [03] 580-9911
© **PIONEER ELECTRONIC CORPORATION 1994**

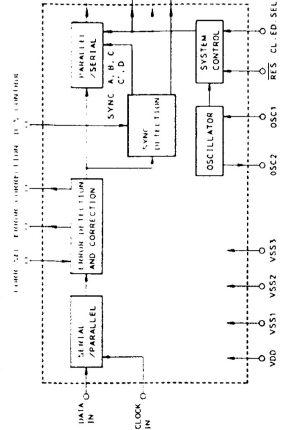
O-FFO MAY. 1994 Printed in Japan



IC301 (1'M400213)

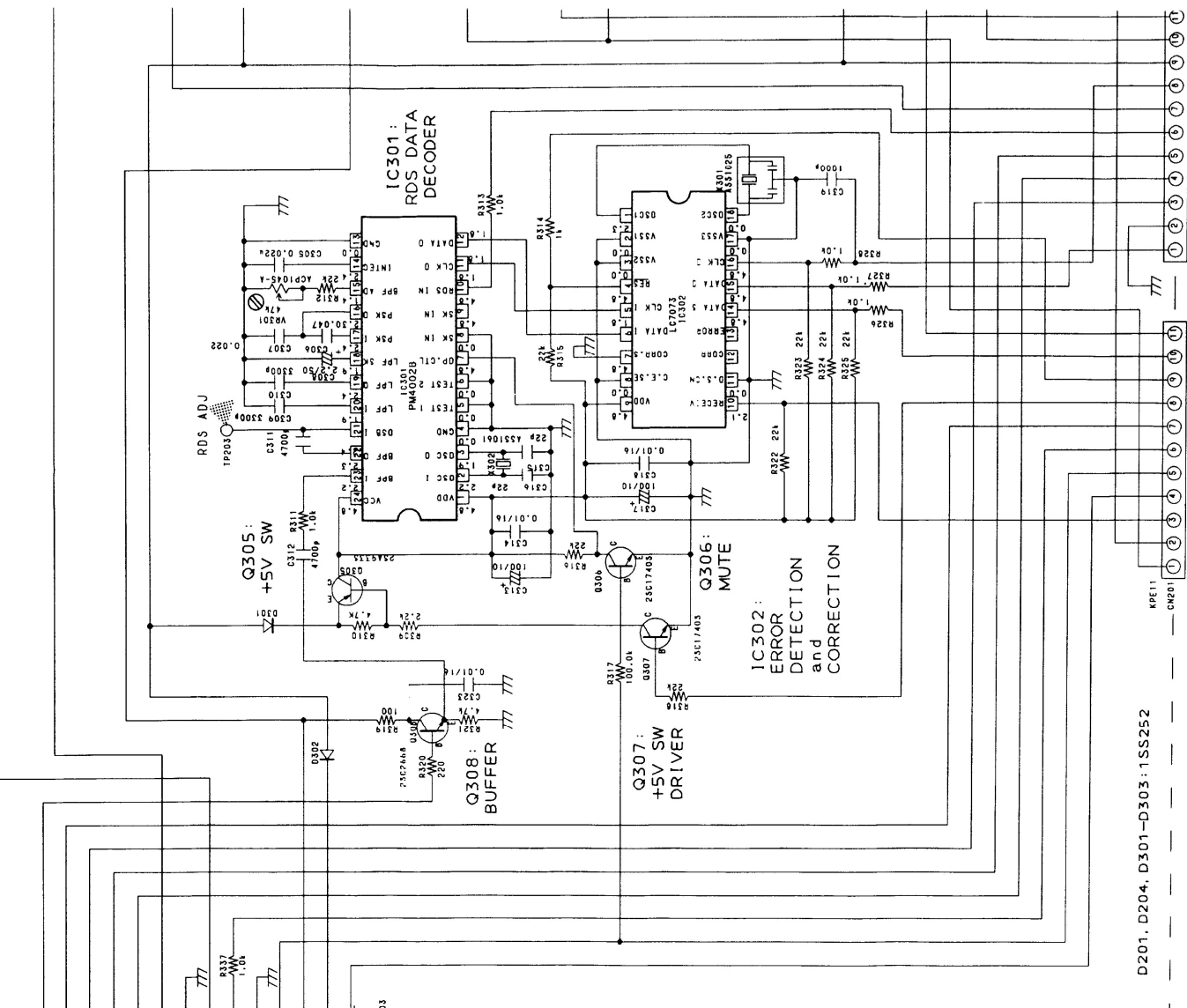
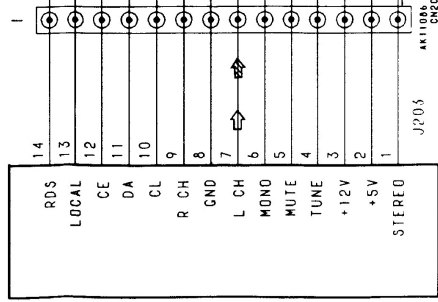


IC302 (L.C./0/3)



FM/AM TUNER MODULE
 (AXQ3225:HEXX AND HBXX TYPES)
 (-SCH-2)
 (AXQ3226:HEWIXX AND HEWZXX TYPES)
 (-SCH-3)

RDS ASSY (AWZ5313:HEXX AND HBXX TYPES)
 (AWZ5315:HEWIXX TYPE)
 (AWZ5314:HEWZXX TYPE)



SCH-1
 RDS ASSY,
 POWER ASSY

TO CONTROL ASSY CN402 (-SCH-4)
 POWER
 MUTE
 RDS RECEIVE
 STEREO
 TUNE
 RF ATT
 FM
 RDS RES
 RDS OS
 REM CON

TO CONTROL ASSY CN40
 RDS DATA
 PLL CK
 PLL DATA
 RDS OUT
 INT(AC)
 RDS CK
 +5.6V
 +5V
 -30V

NOTE FOR SCHEMATIC DIAGRAMS (Type 3A)
 1. When ordering service parts, be sure to refer to "PARTS LIST of EXPLODED VIEWS" or "PCB PARTS LIST".
 2. Since these are basic circuits, some parts of them or the values of some components may be changed for improvement.

3. **RESISTORS:**
 Unit: k:K, M:M, Ω:Ω unless otherwise noted.
 Rated power: 1/4W, 1/8W, 1/8W, 1/10W unless otherwise noted.
 Tolerances: (F): ±1%, (G): ±2%, (K): ±10%, (M): ±20% or ±5% unless otherwise noted.

4. **CAPACITORS:**
 Unit: p:pF or μF:μF unless otherwise noted.
 Rated voltage: (μF): 50V or 100V unless otherwise noted.
 Rated voltage: 50V except for electrolytic capacitors.

5. **COILS:**
 Unit: m:mH or μH:μH unless otherwise noted.

6. **VOLTAGE AND CURRENT:**
 Unit: V:V or ~V:~V.
 DC: Voltage (V) at no input signal unless otherwise noted.
 Signal (mV, μV): DC voltage at rated power.
 ~: mA
 ⊕: DC current at no input signal unless otherwise noted.



7. **OTHERS:**
 ⊕ or ⊖: Adjusting point.
 ~: Measurement point.
 Δ: Mark location on the component parts indicate the mounting location for the parts. Therefore, when replacing, be sure to use parts of identical designation.
8. **SCH-□ ON THE SCHEMATIC DIAGRAM:**
 SCH-□ indicates the drawing number of the schematic diagram. (SCH stands for schematic diagram.)
9. **SWITCHES** (Underline indicates switch position):
 CONTROL ASSY
 S401: POWER(STANDBY/ON) S412: 3
 S402: AM S413: 2
 S403: FM S414: 1
 S404: DISPLAY MODE S415: 6
 S405: CHARACTER/SEARCH S416: 7
 S406: MPX MODE(AUTOMONO) S417: 8
 S407: MEMORY S418: 9
 S408: -(down) S419: 10
 S409: +(up) S420: DIRECT ACCESS
 S410: 5 S421: CLASS
 S411: 4 S422: RF ATT

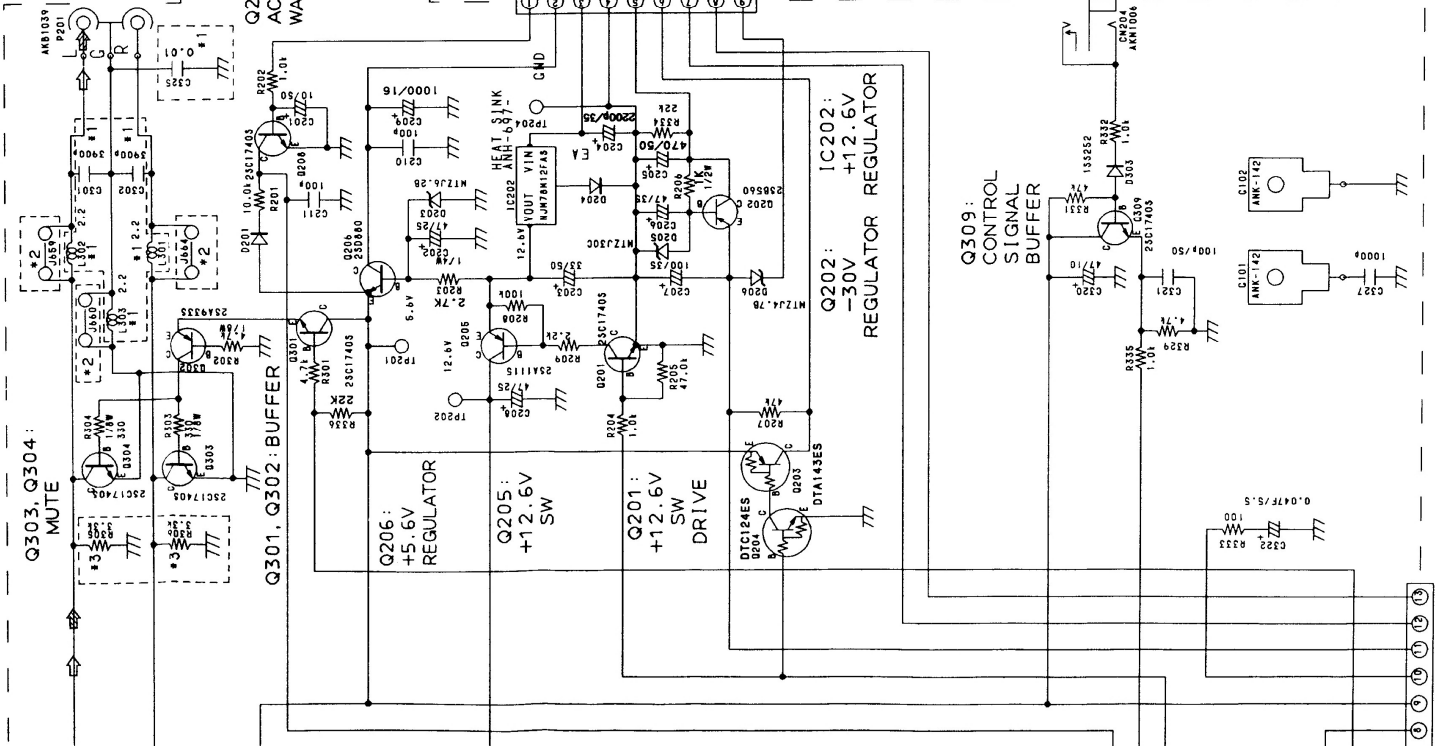
⊕: FM Signal route
 ⊖: AM Signal route

SCH-1

- [*1]: HEWZXK AND HEWIXK TYPES
 [*2]: HEXK AND HBXK TYPES
 [*3]: HEWIXK TYPE ONLY

POWER ASSY
 (AWZ5311:HEXK TYPE)
 (AWZ5316:HBXK TYPE)
 (AWZ5312:HEWIXK AND HEWZXK TYPES)

D101-D106: S5566



RDS CK
 +5.6V
 -30V
 F1
 F2

RPET13
 ASSY CN401 (-SCH-4)

RDS ASSY,
 POWER ASSY

SCH-1