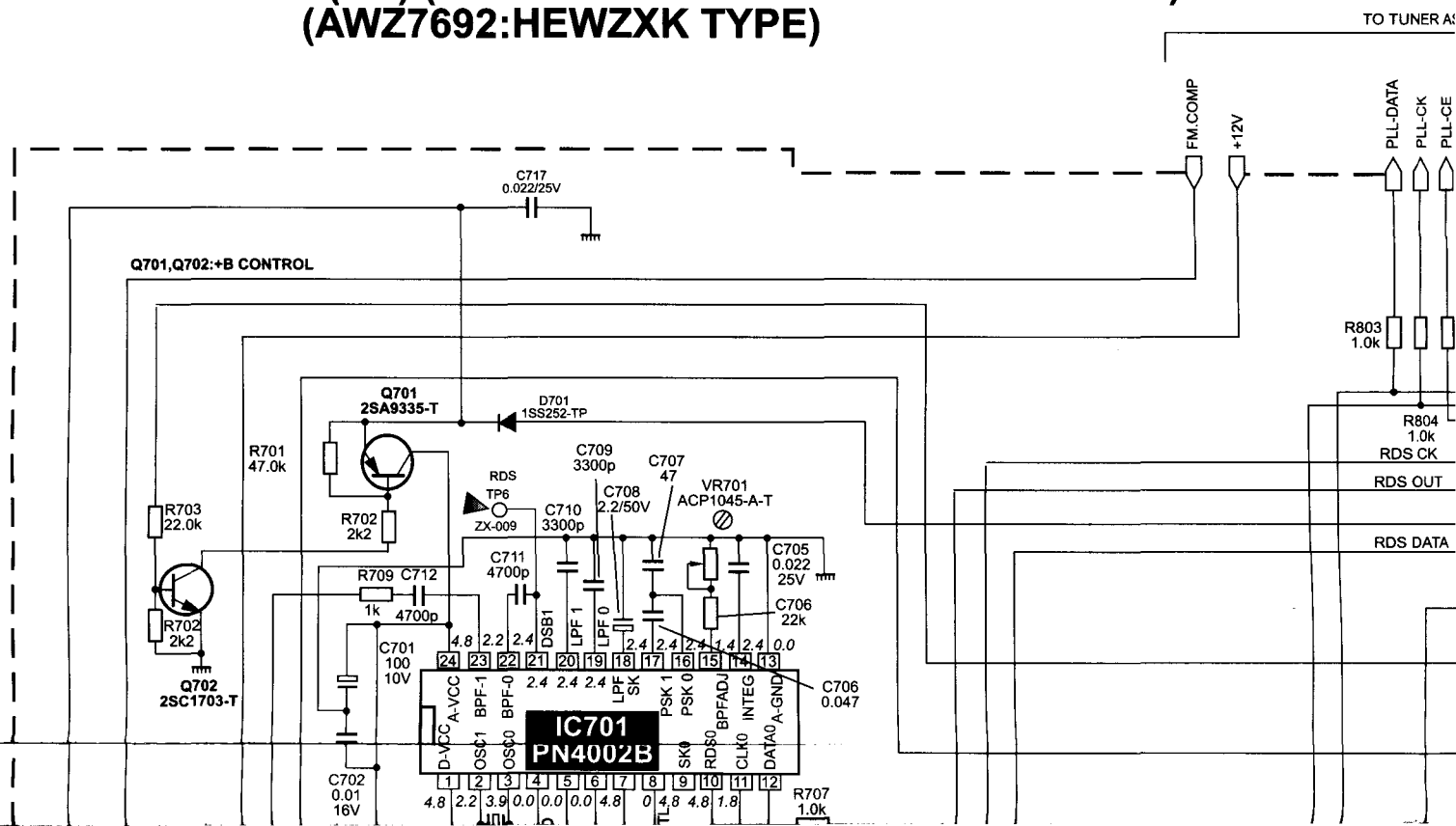
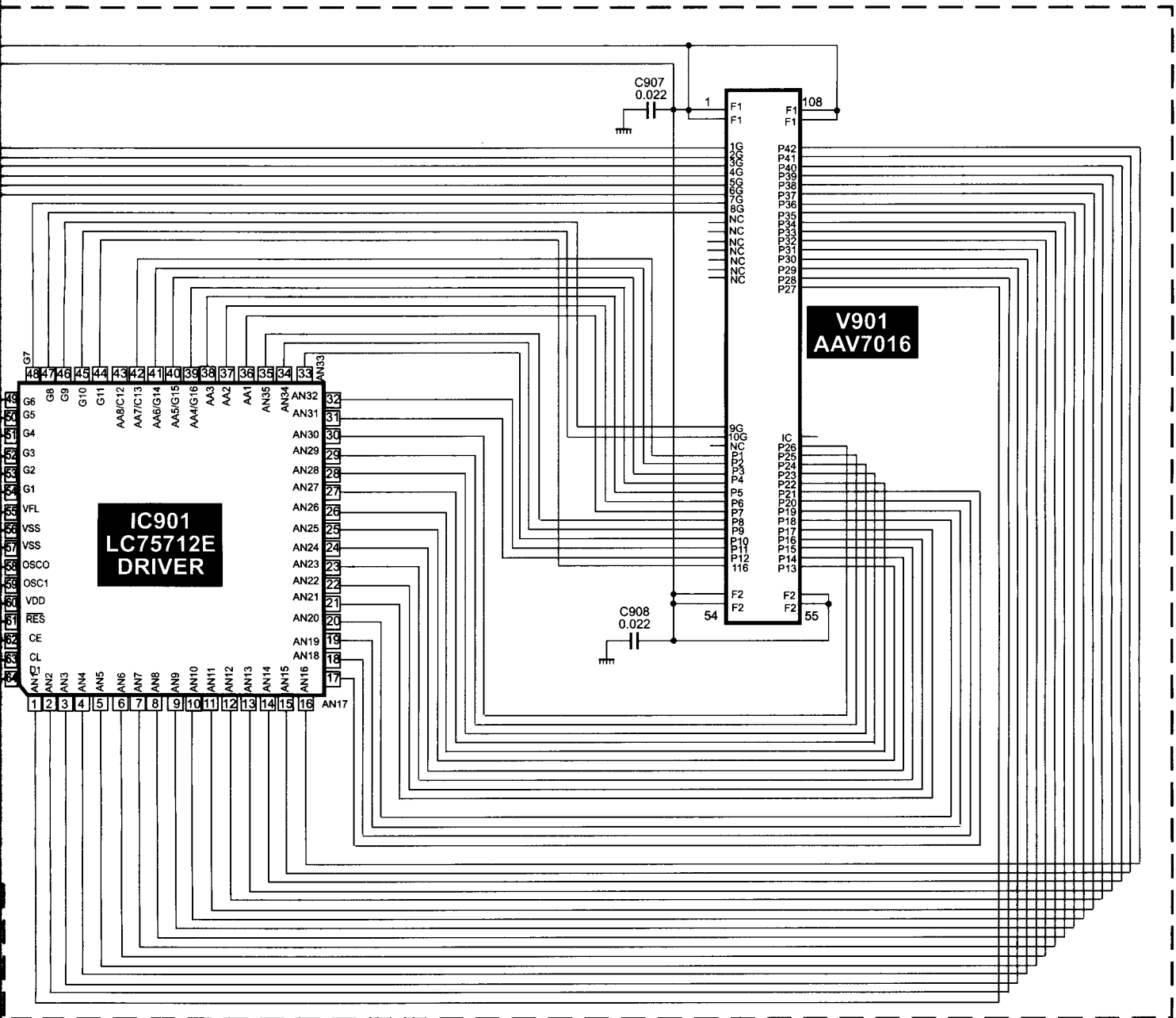


SCH-1

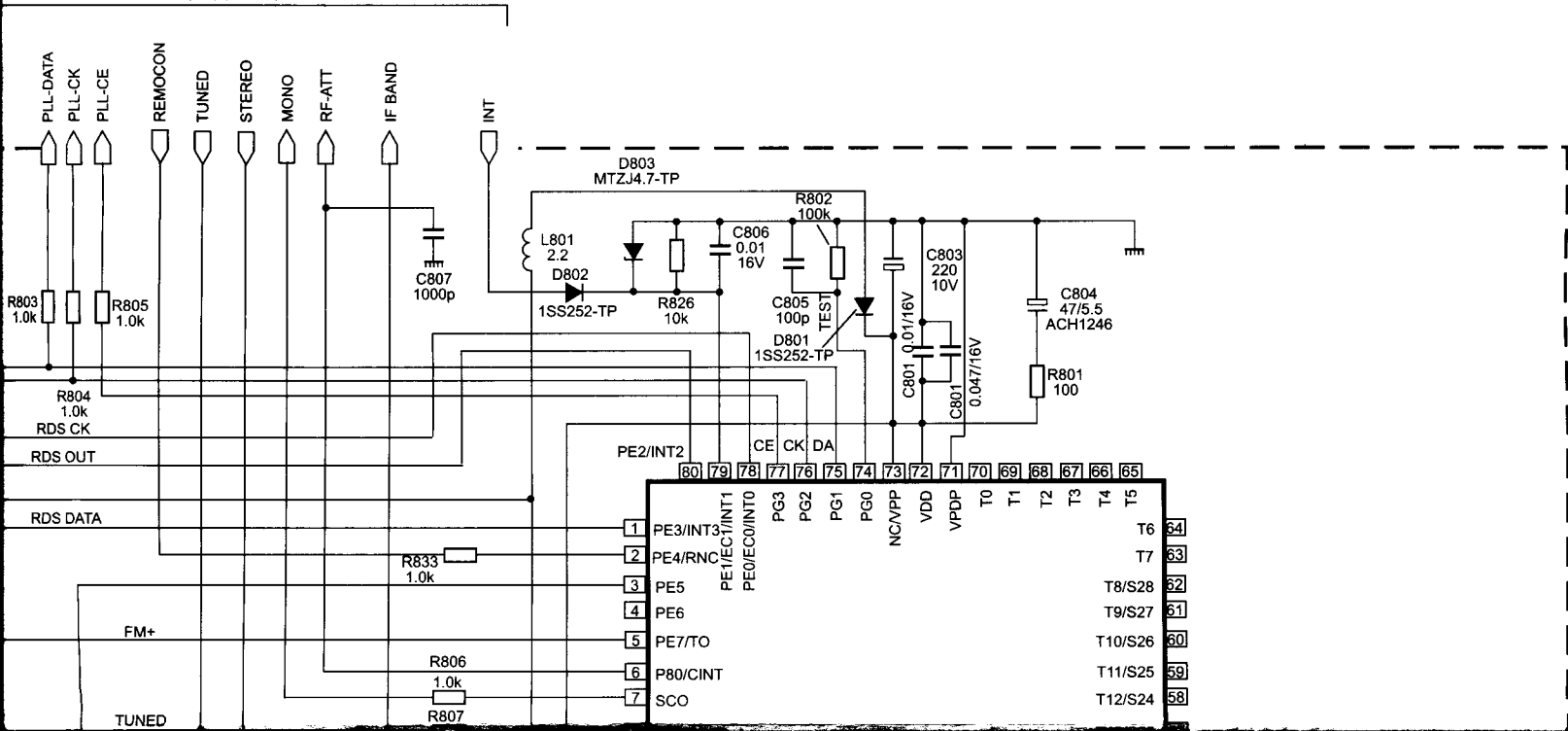
TUNER ASSEMBLY (2/2) (AWZ7693:HEIXK AND HBWXK TYPES) (AWZ7692:HEWZ XK TYPE)

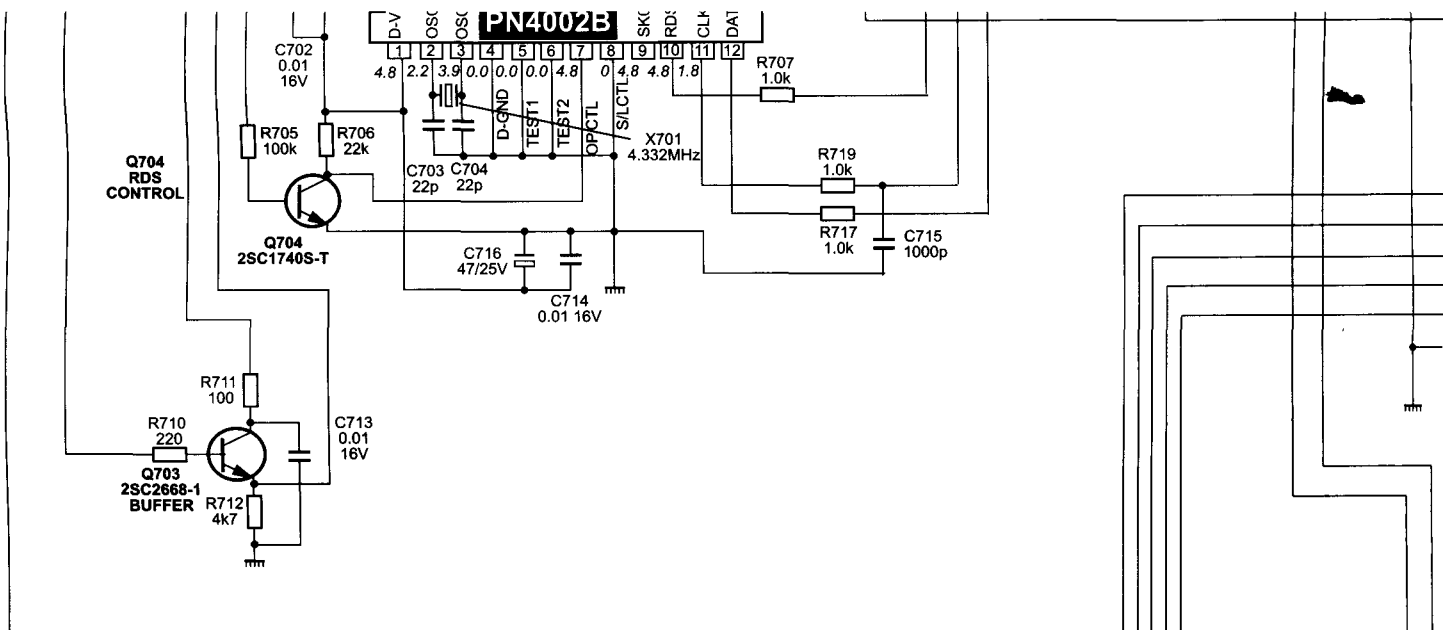


DISPLAY ASSEMBLY (AWP7002)

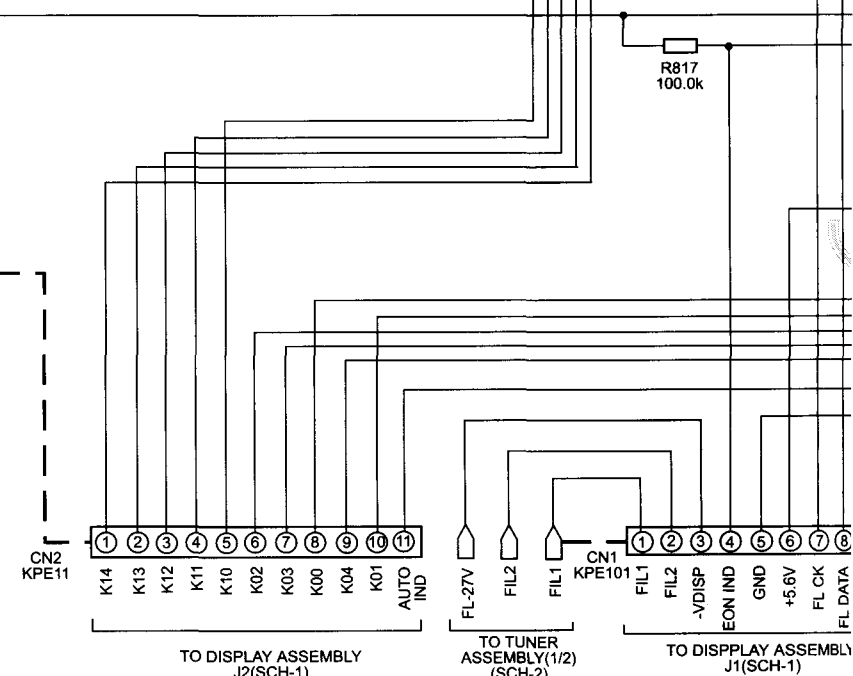


TO TUNER ASSEMBLY (1/2) (SCH-2)

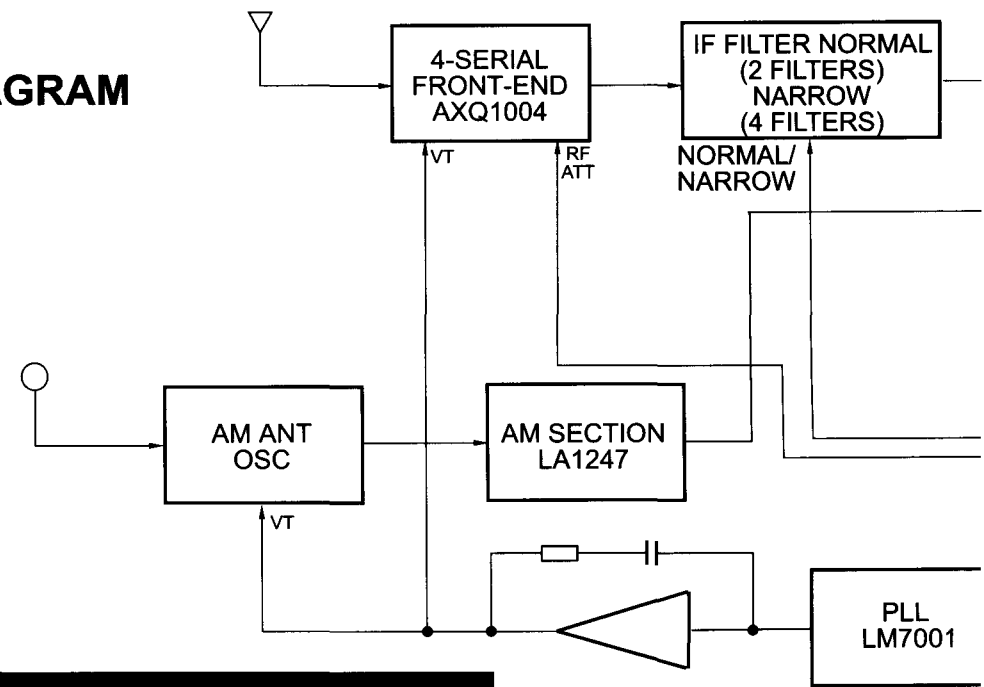




SCH-3

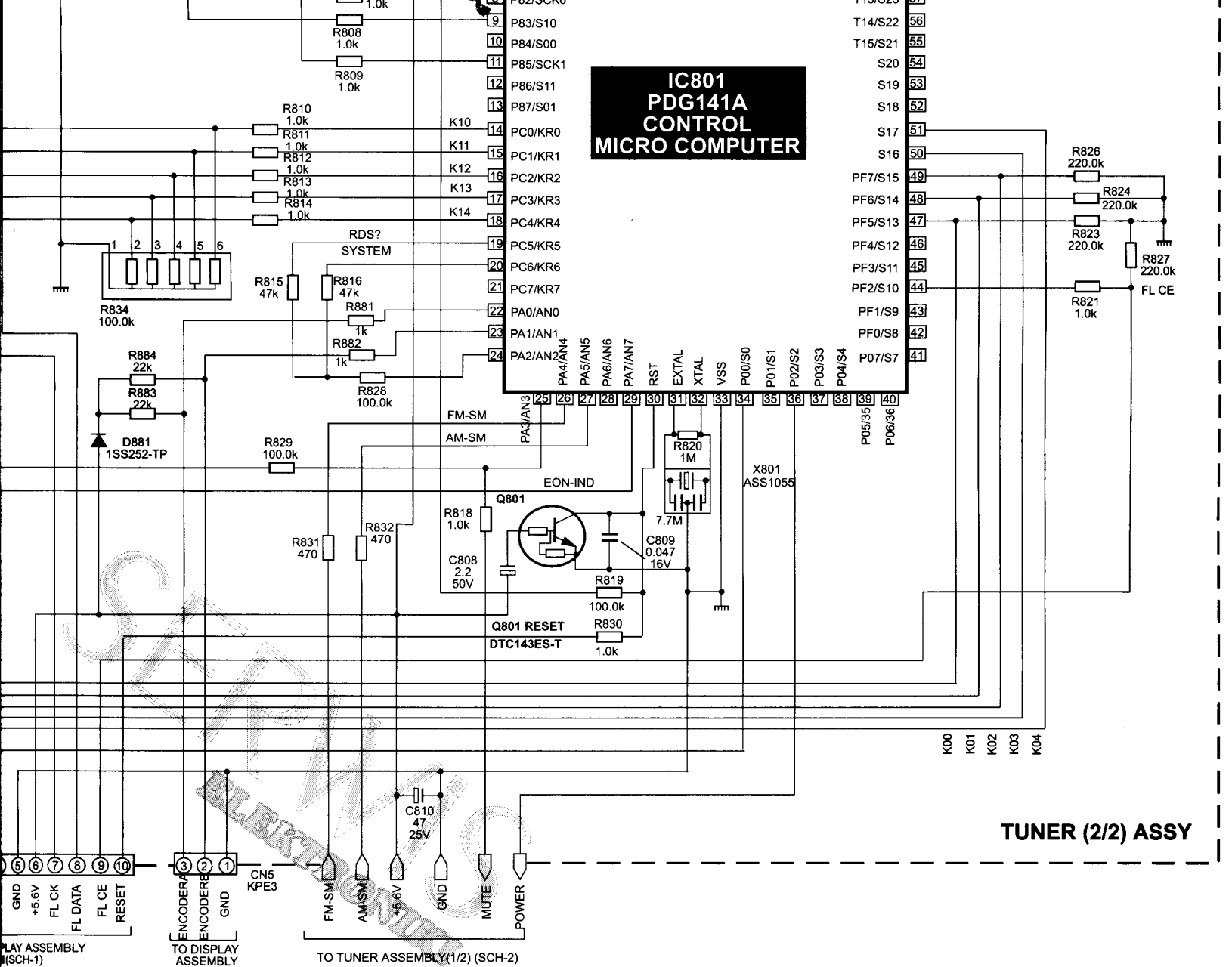


BLOCK DIAGRAM

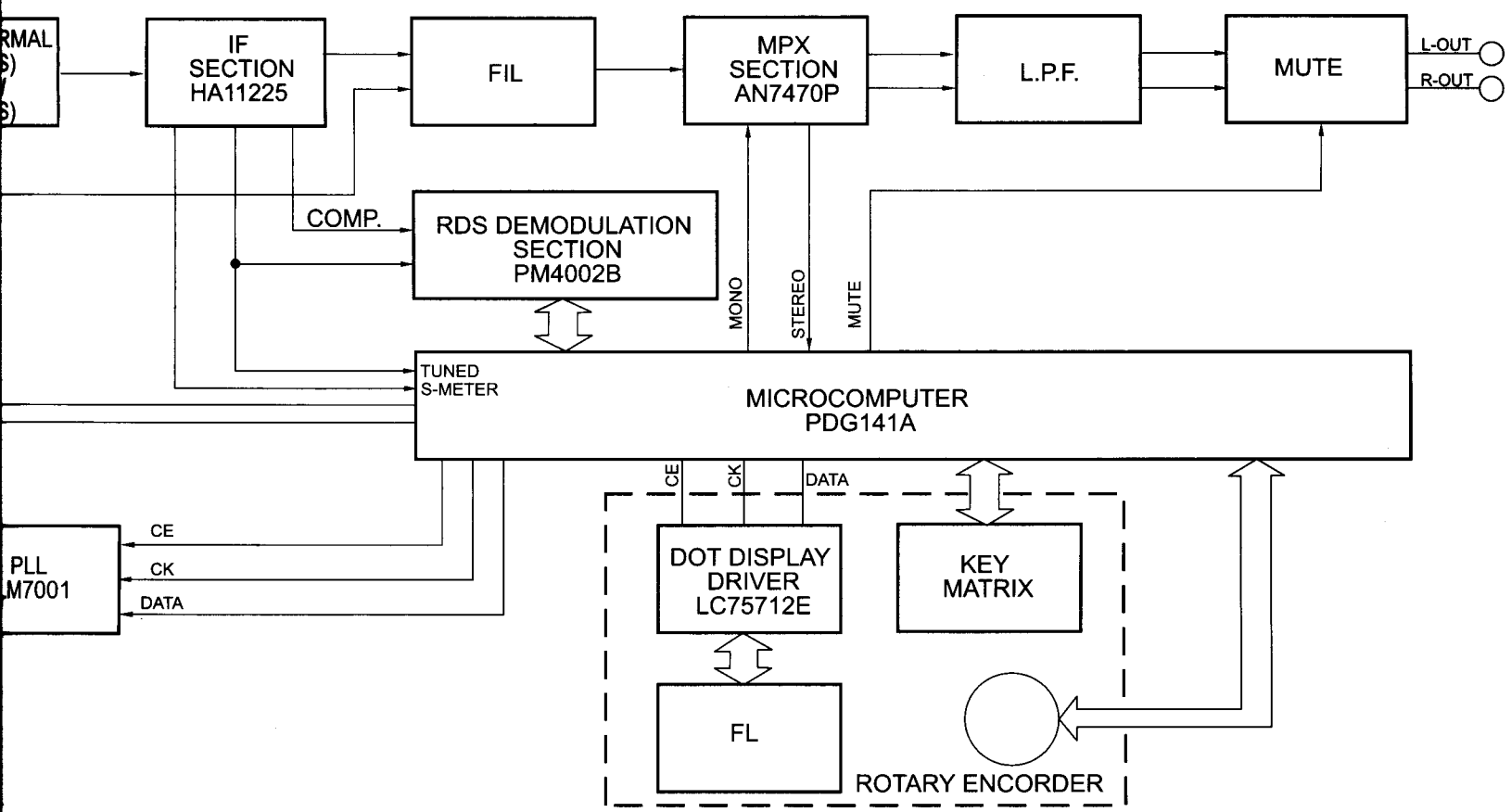


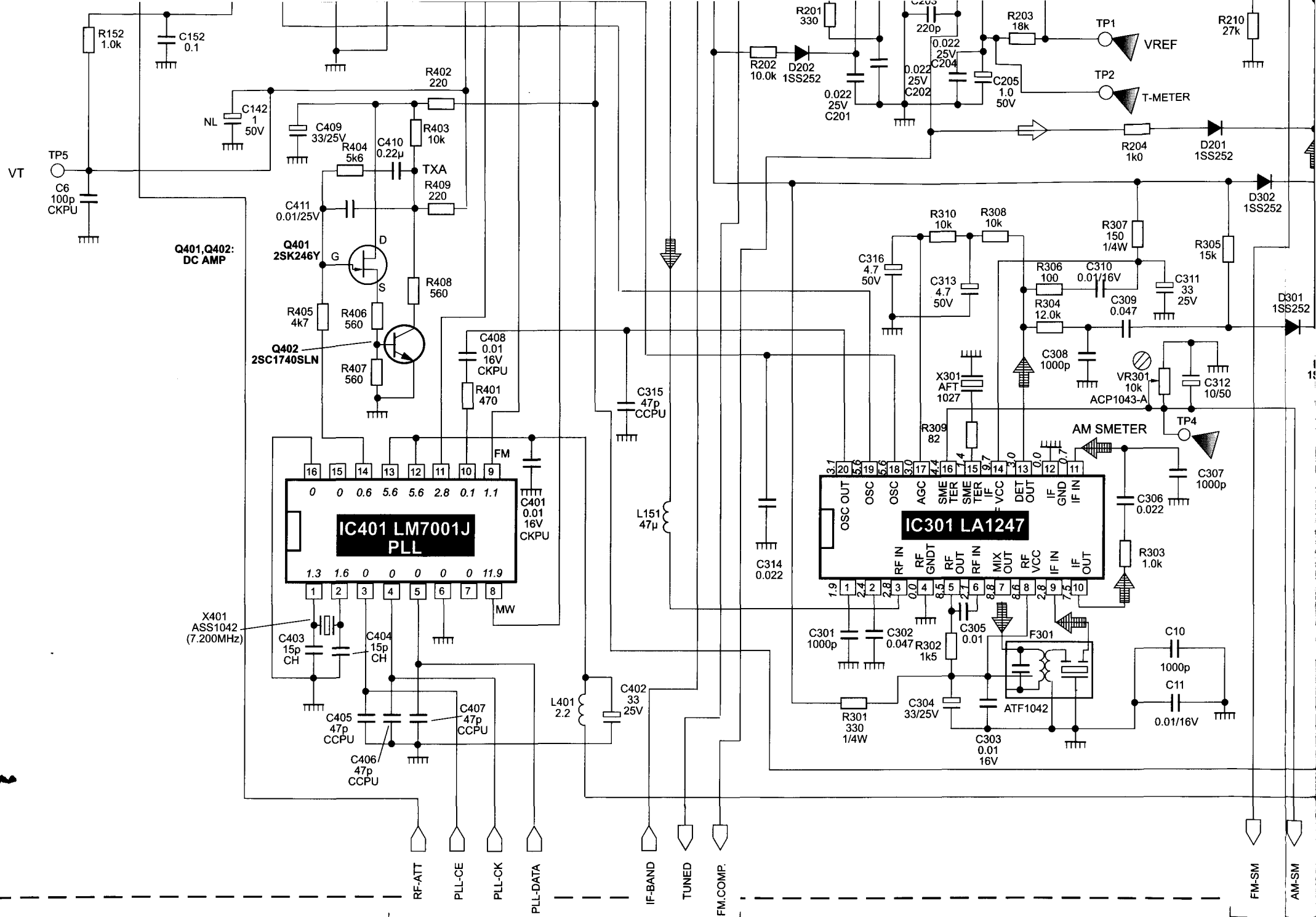
DW_SE4/2003

Tuner Pioneer F-304RDS
(strona 1/2)



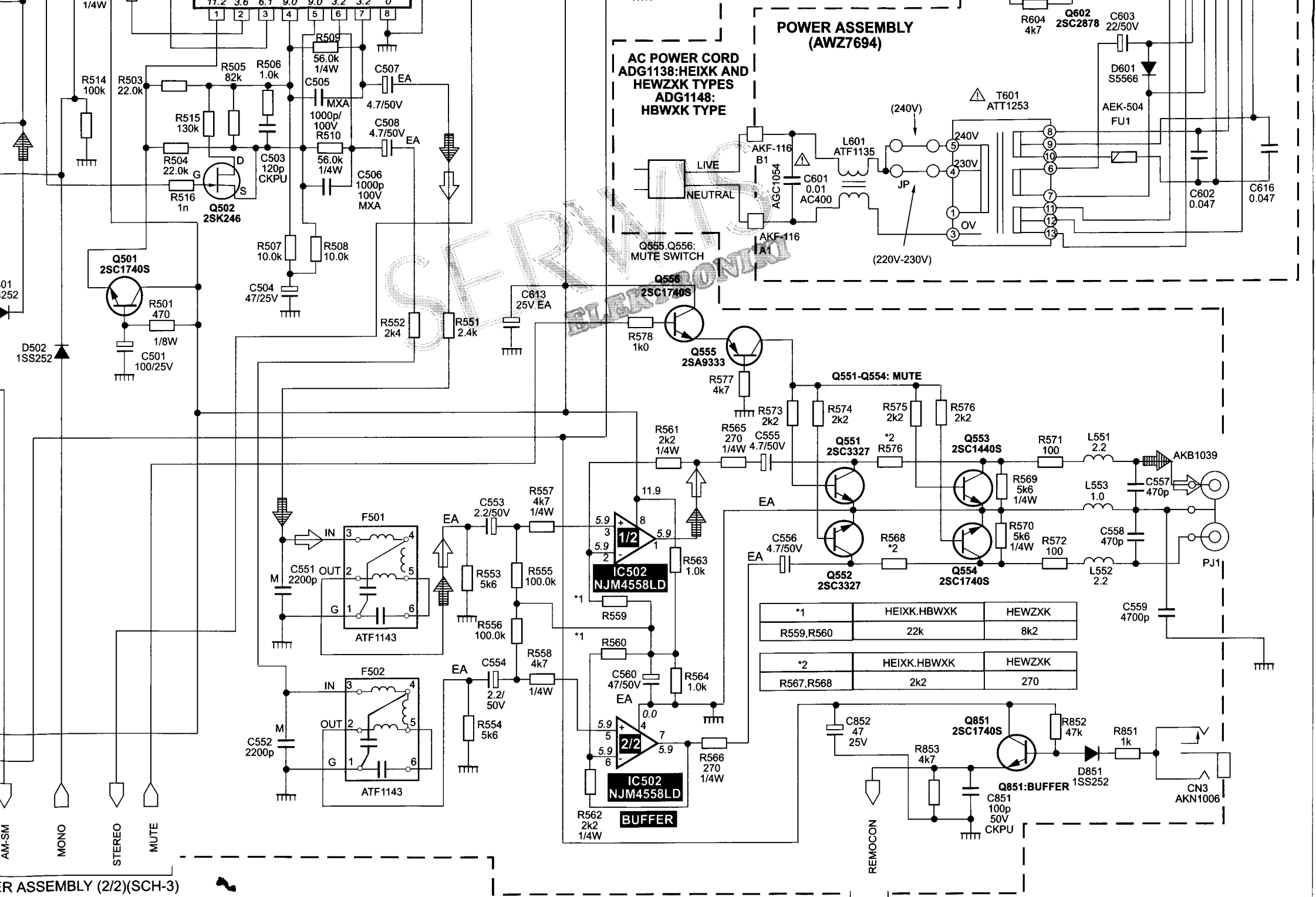
TUNER (2/2) ASSY





TO TUNER ASSEMBLY (2/2) (SCH-3)

TO TUNER A



POWER ASSEMBLY (2/2)(SCH-3)

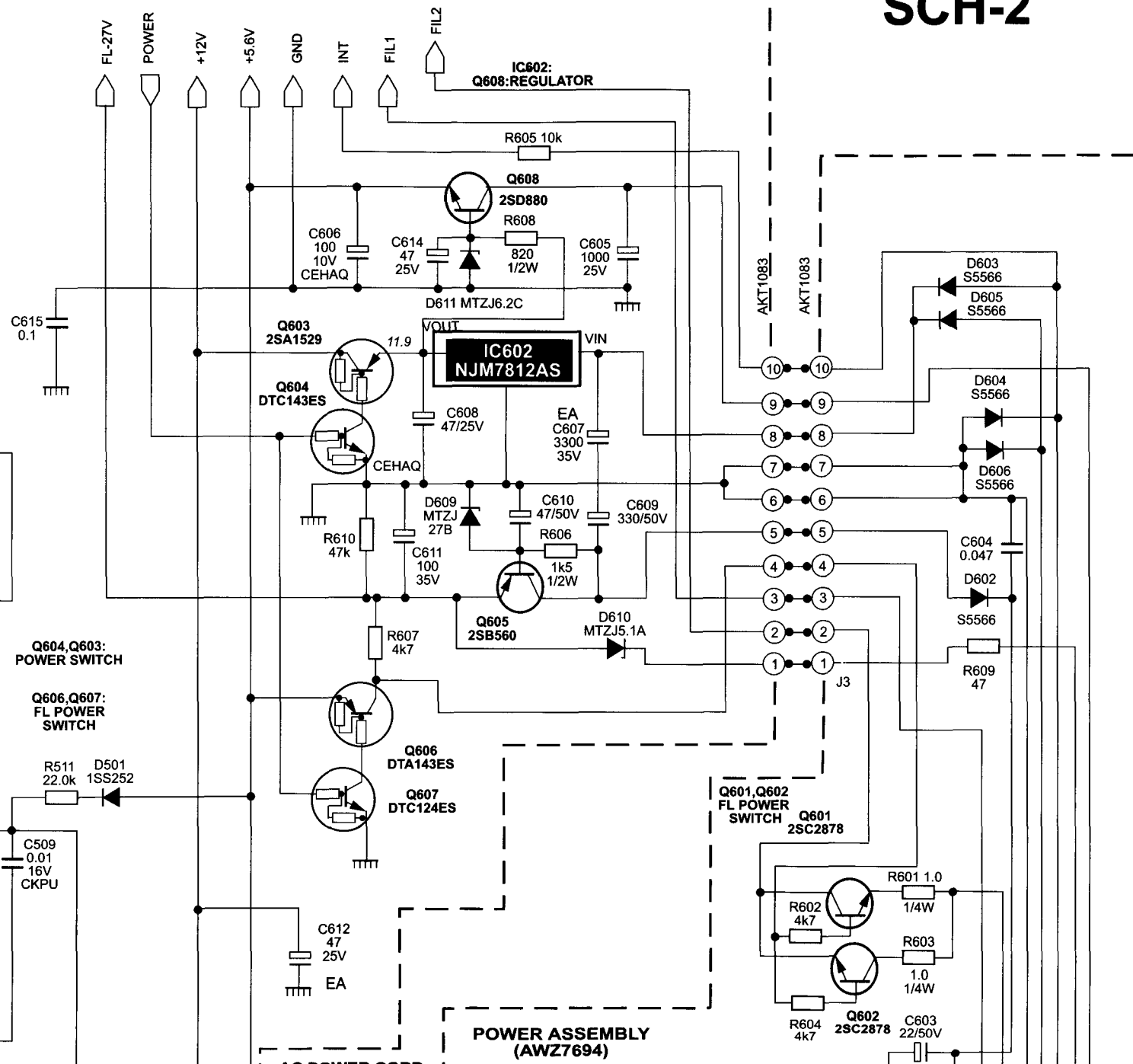
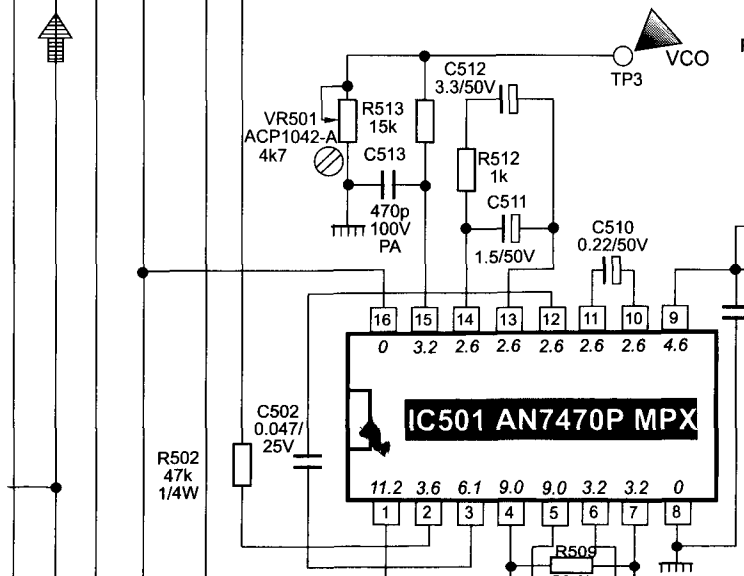
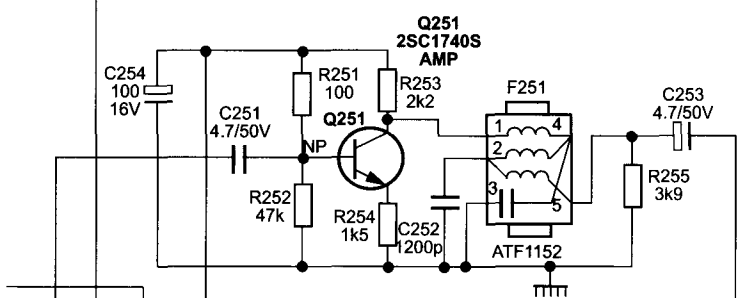
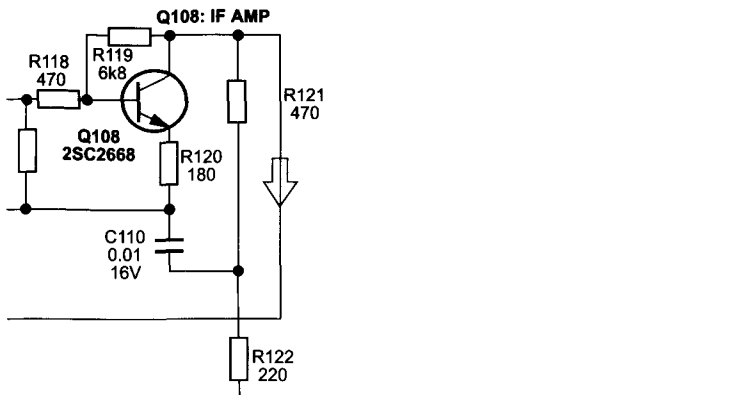
TO TUNER ASSEMBLY (2/2) (SCH-3)

Tuner Pioneer F-304RDS (strona 2/2)

DW_SE4/2003
SCH-2

➔ : FM SIGNAL ROUTE (LCH)
 📡 : AM SIGNAL ROUTE (LCH)

TO TUNER ASSEMBLY (2/2) (SCH-3)



AC POWER CORD

POWER ASSEMBLY (AWZ7694)