

8 TRACK TAPE PLAYER

**H-803** **F**



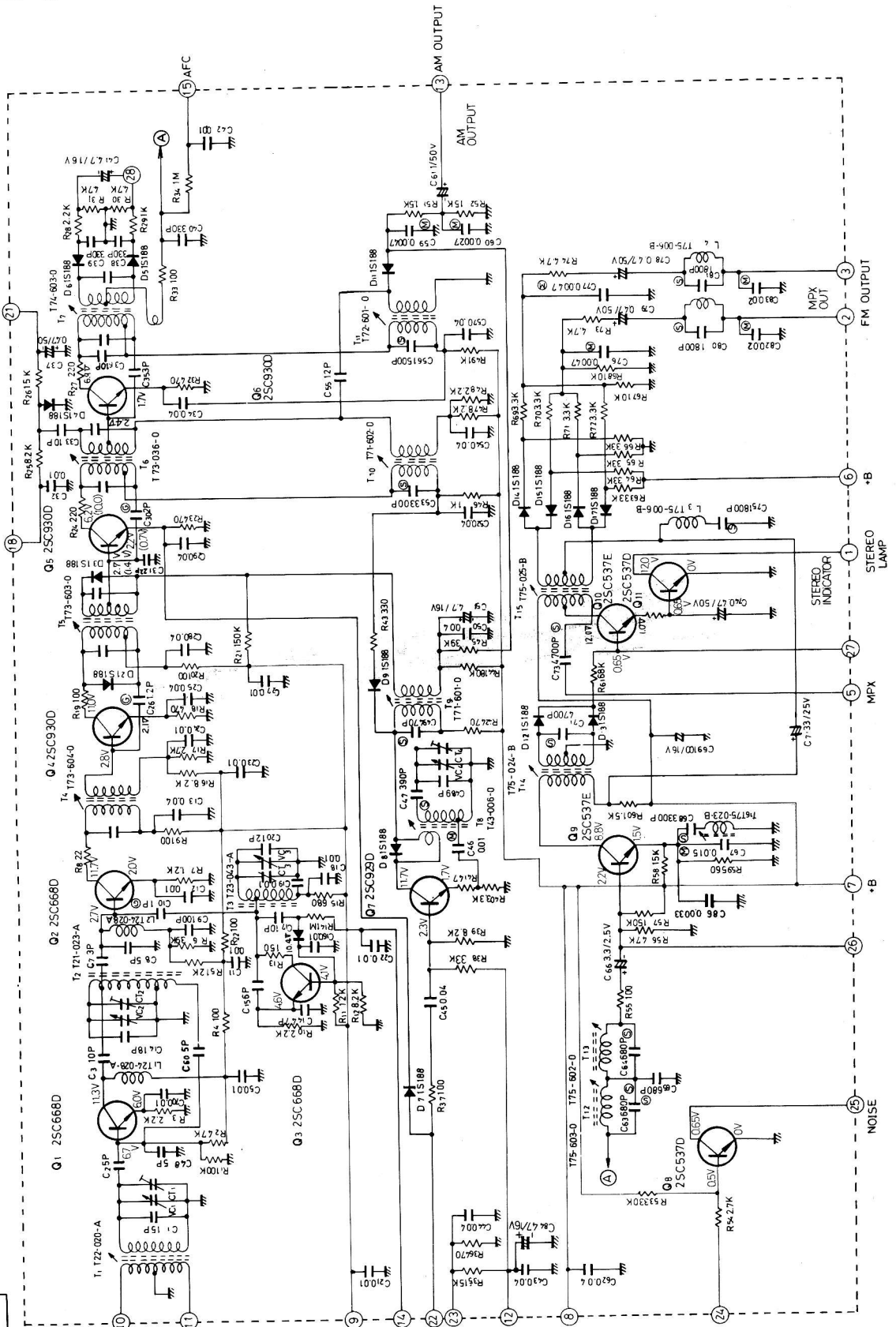
## 8 TRACK TAPE PLAYER

**H-803®**

UNIT \ DESTINATION	PEOA	SABS	EUROPE AND ASIA
FM FRONT END			
FM IF UNIT			
MPX UNIT			
AM TUNER UNIT			
MAIN AMP UNIT			
POWER SUPPLY UNIT			W16-652
SWITCH UNIT			
FM TUNER UNIT			
LW/MW TUNER UNIT			
MOTOR CONTROL UNIT			
TUNER UNIT			W35-613
AMP UNIT			W15-746



**TUNER UNIT**  
**W35-613**



- 25C668
- 25C930
- 25C537
- 25C929



**NOTES**

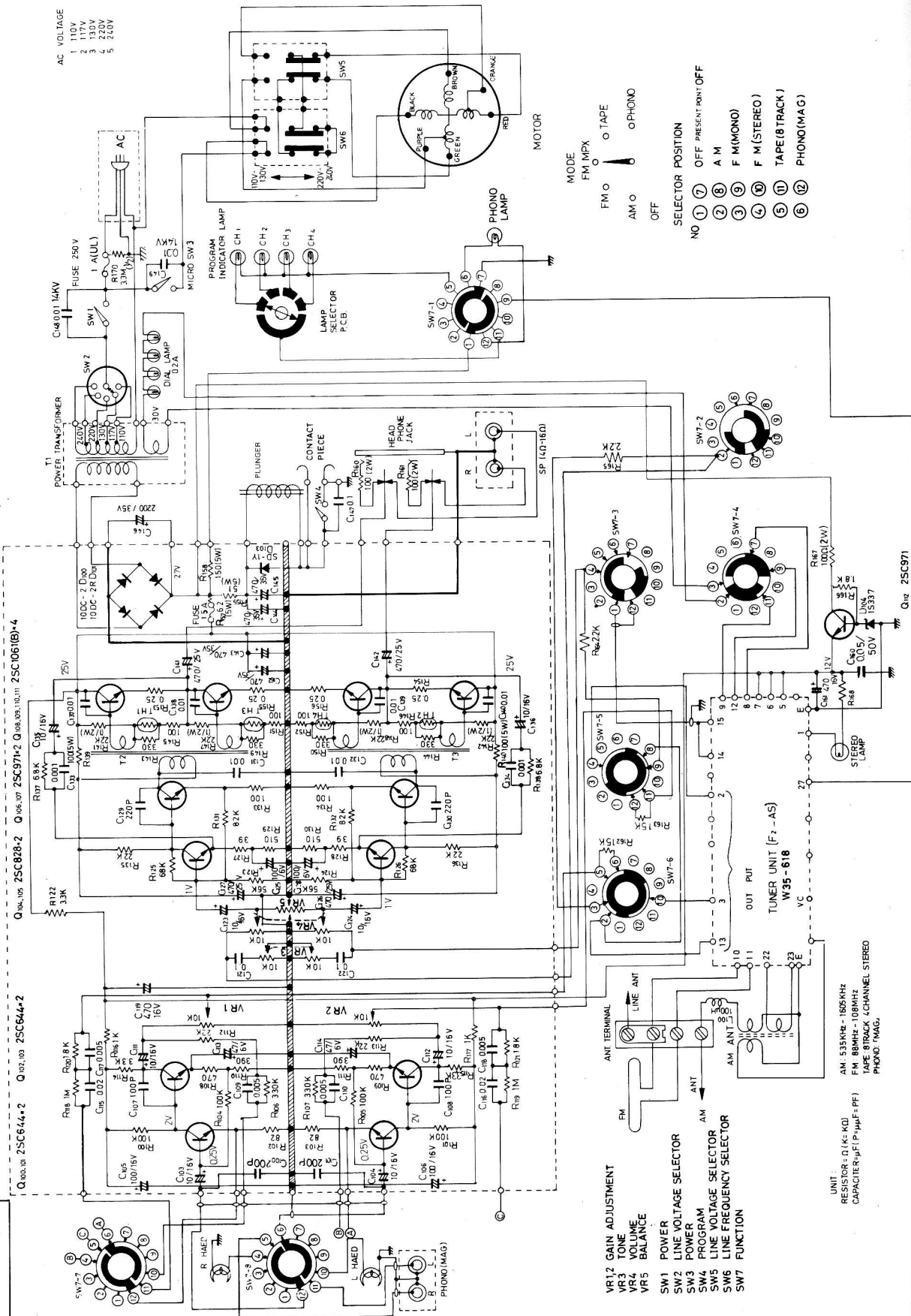
- CAPACITORS C1 - C63
- MICROFARAD UNLESS NOTED
- P: MICRO MICROFARAD
- NON MARK CERAMIC
- Ø: MILAR
- ⊗: STYROL
- ⊕: ELECTROLYTIC
- RESISTORS R1 - R74
- OHM UNLESS NOTED
- K: KILLO OHM
- Ø: CARBON FILM
- VACANT
- CAPACITORS :
- RESISTORS :

8 TRACK TAPE PLAYER  
**H-803** F-SABS



UNIT \ DESTINATION	PEOA	SABS	EUROPE AND ASIA
FM FRONT END			
FM IF UNIT			
MPX UNIT			
AM TUNER UNIT			
MAIN AMP UNIT			
POWER SUPPLY UNIT		W16-652	
SWITCH UNIT			
LW/MW TUNER UNIT			
MOTOR CONTROL UNIT			
TUNER UNIT		W35-618	
AMP ASS'Y		W15-744	

**H-803 SABS**



- AC VOLTAGE  
 1 110V  
 2 117V  
 3 130V  
 4 220V  
 5 240V

- MODE  
 FM MPX  
 FM O  
 AM O  
 OFF
- SELECTOR POSITION  
 NO 1 2 3 4 5 6  
 OFF PRESENT POINT  
 A M  
 F M (MONO)  
 F M (STEREO)  
 TAPE (TRACK I)  
 PHONO (MAG)

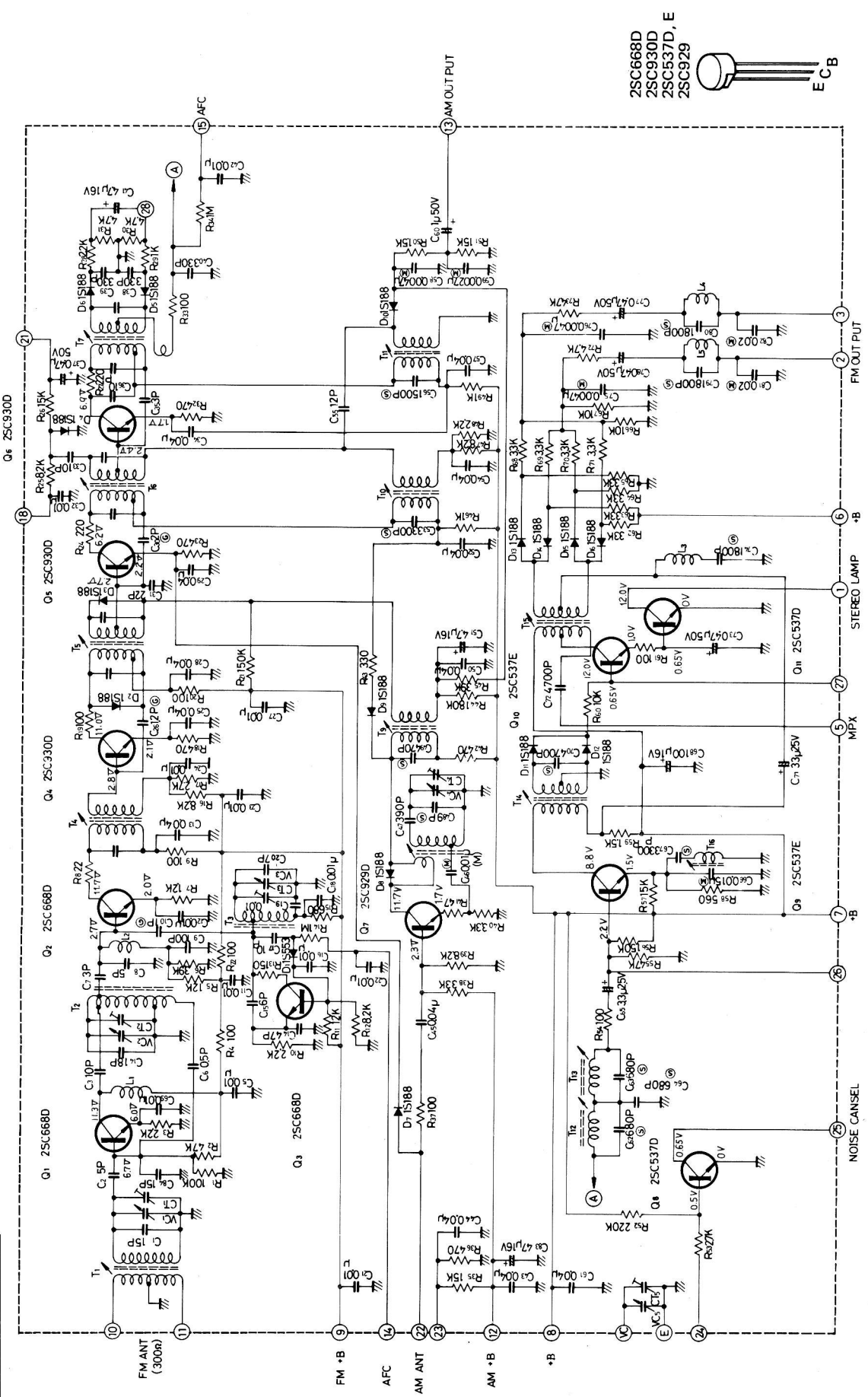
Q 001.05 25C828-2 Q 005.07 25C971-2 Q 008.09 100.11 25C061(B)-4  
 Q 002.00 25C644-2 Q 002.03 25C644-2



- VR1,2 GAIN ADJUSTMENT  
 VR3 TONE  
 VR4 VOLUME  
 VR5 BALANCE  
 SW1 POWER  
 SW2 LINE VOLTAGE SELECTOR  
 SW3 PROGRAM  
 SW4 LINE VOLTAGE SELECTOR  
 SW5 LINE FREQUENCY SELECTOR  
 SW7 FUNCTION

UNIT  
 RESISTOR = 0.1K (K)  
 FM 535KHZ - 1605KHZ  
 FM 88MHZ - 108MHZ  
 TAPE 8TRACK 4-CHANNEL STEREO  
 PHONO (MAG)

**TUNER UNIT**  
**W35-618**



25C668D  
25C930D  
25C537D, E  
25C929