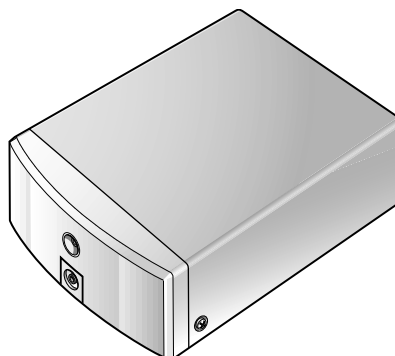


# Service Manual

**Pioneer**



ORDER NO.  
RRV2479

## STEREO POWER AMPLIFIER **M-L11**

THIS MANUAL IS APPLICABLE TO THE FOLLOWING MODEL(S) AND TYPE(S).

Type	Model	Power Requirement	Remarks
	M-L11		
MYXJ	○	AC220-230V	
NVXJ	○	AC230V	

- This product is a system(s) component.  
This product does not function properly independently ; to avoid malfunctions, be sure to connect it to the prescribed system component(s), otherwise damage may result.
- Please connect it to the STEREO CD TUNER XC-L11, for adjustment and operation inspection.

Component	Model	Service manual	Remarks
STEREO CD TUNER	XC-L11	RRV2470	
STEREO POWER AMPLIFIER	M-L11	RRV2479	This manual.
SPEAKER SYSTEM	S-L11-Q-LRW   S-L11-S-LRW	RRV2483, RRV2484	
STEREO CASSETTE DECK	CT-L11	RRV2471	
MINIDISC RECORDER	MJ-L11	RRV2472	

## CONTENTS

1. SAFETY INFORMATION .....	2	7. GENERAL INFORMATION .....	23
2. EXPLODED VIEWS AND PARTS LIST .....	3	7.1 DIAGNOSIS .....	23
3. BLOCK DIAGRAM AND SCHEMATIC DIAGRAM .....	8	7.1.1 DISASSEMBLY .....	23
4. PCB CONNECTION DIAGRAM .....	14	7.1.2 SINGLE OPERATION METHOD .....	24
5. PCB PARTS LIST .....	20	8. PANEL FACILITIES AND SPECIFICATIONS .....	26
6. ADJUSTMENT .....	22		

# 1. SAFETY INFORMATION

## LITHIUM BATTERY NOTICE

### WARNING!

Lithium batteries. Danger of explosion. Replacement must be done by qualified personnel and only by following the instructions given in the service manual.

### ADVARSEL!

Lithiumbatteri – Eksplosionsfare ved fejlagtig håndtering. Udskiftning må kun ske med batteri af samme fabrikat og type. Levér det brugte batteri tilbage til leverandøren.

This warning is stated on the product or in the operating instructions. When replacing the lithium batteries, follow the note below. Dispose of the used battery promptly. Keep away from children. Do not disassemble and do not dispose of in fire. The battery used in this device may present a fire or chemical hazard if mistreated. Do not recharge, disassemble, heat above 100 °C or incinerate. Replace only with the same Part Number. Use of another battery may present a risk of fire or explosion.

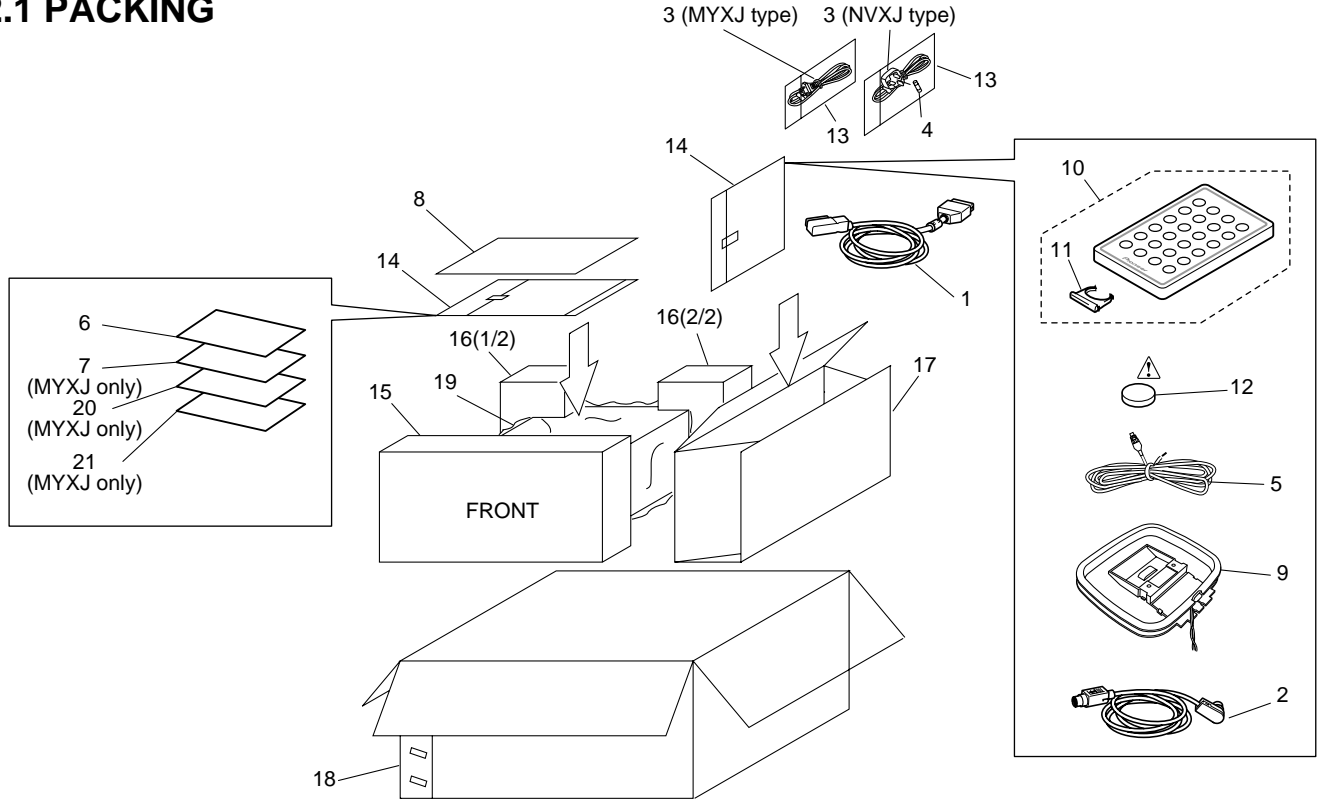
**Note:** The lithium battery installation position is shown in the exploded views.

Denne advarsel er angivet på produktet eller i brugsvejledningen. Ved udskiftning af lithium batterierne følges nedenstående anvisning. Batterierne må kun udskiftes med batterier af samme type og mærke.

## 2. EXPLODED VIEWS AND PARTS LIST

- NOTES : ● Parts marked by “NSP” are generally unavailable because they are not in our Master Spare Parts List.  
 ● The ⚠ mark found on some component parts indicates the importance of the safety factor of the part. Therefore, when replacing, be sure to use parts of identical designation.  
 ● Screw adjacent to ▼ mark on the product are used for disassembly.

### 2.1 PACKING



### (1) PACKING PARTS LIST

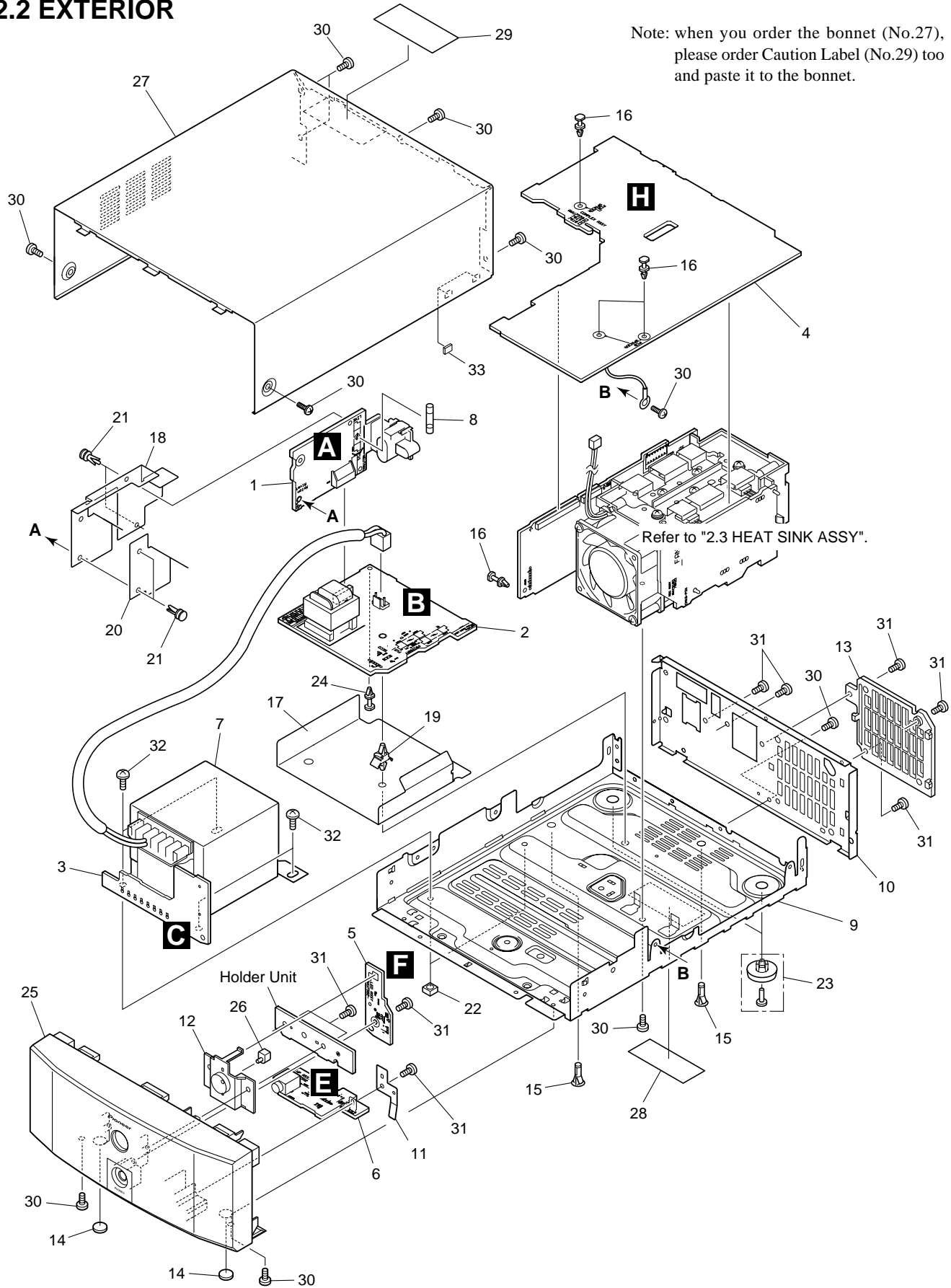
Mark	No.	Description	Part No.	Mark	No.	Description	Part No.
	1	System Cable (20P)	ADE7057		11	Battery Lid	AZN7834
	2	Display cable (10P)	ADE7077	NSP ⚠	12	Lithium Battery (CR2025)	VEM1009
⚠	3	AC Power Cord	See Contrast table (2)	NSP	13	Vinyl Bag (115 × 270 × 0.05)	Z21-013
⚠	4	Fuse (T5A)	See Contrast table (2)		14	Polyethylene Bag (0.03 × 230 × 340)	Z21-038
	5	FM Wire Antenna	ADH7005		15	Front Pad A	AHA7368
	6	Operating Instructions (English/French)	ARE7277		16	Rear Pad A	AHA7369
	7	Operating Instructions	See Contrast table (2)		17	Spacer AMP	AHB7058
NSP	8	Warranty Card	ARY7022		18	Packing Case	See Contrast table (2)
	9	Loop Antenna	ATB7009		19	Sheet	Z23-026
	10	Remote control Unit	AXD7306		20	Operating Instructions	See Contrast table (2)
					21	Operating Instructions	See Contrast table (2)

### (2) CONTRAST TABLE



MYXJ type and NVXJ type are constructed the same except for the following:

Mark	No.	Symbol and Description	Part No.		Remarks
			MYXJ type	NVXJ type	
⚠	3	AC Power Cord	ADG1154	ADG1156	
	4	Fuse (T5A)	Not used	AEK7001	
⚠	7	Operating Instructions (Spanish/Dutch)	ARC7337	Not used	
	18	Packing Case	AHD8002	AHD8001	
	20	Operating Instructions (German/Italian)	ARC7375	Not used	
	21	Operating Instructions (Swedish/Portuguese)	ARC7376	Not used	

## 2.2 EXTERIOR



**(1) EXTERIOR SECTION PARTS LIST**

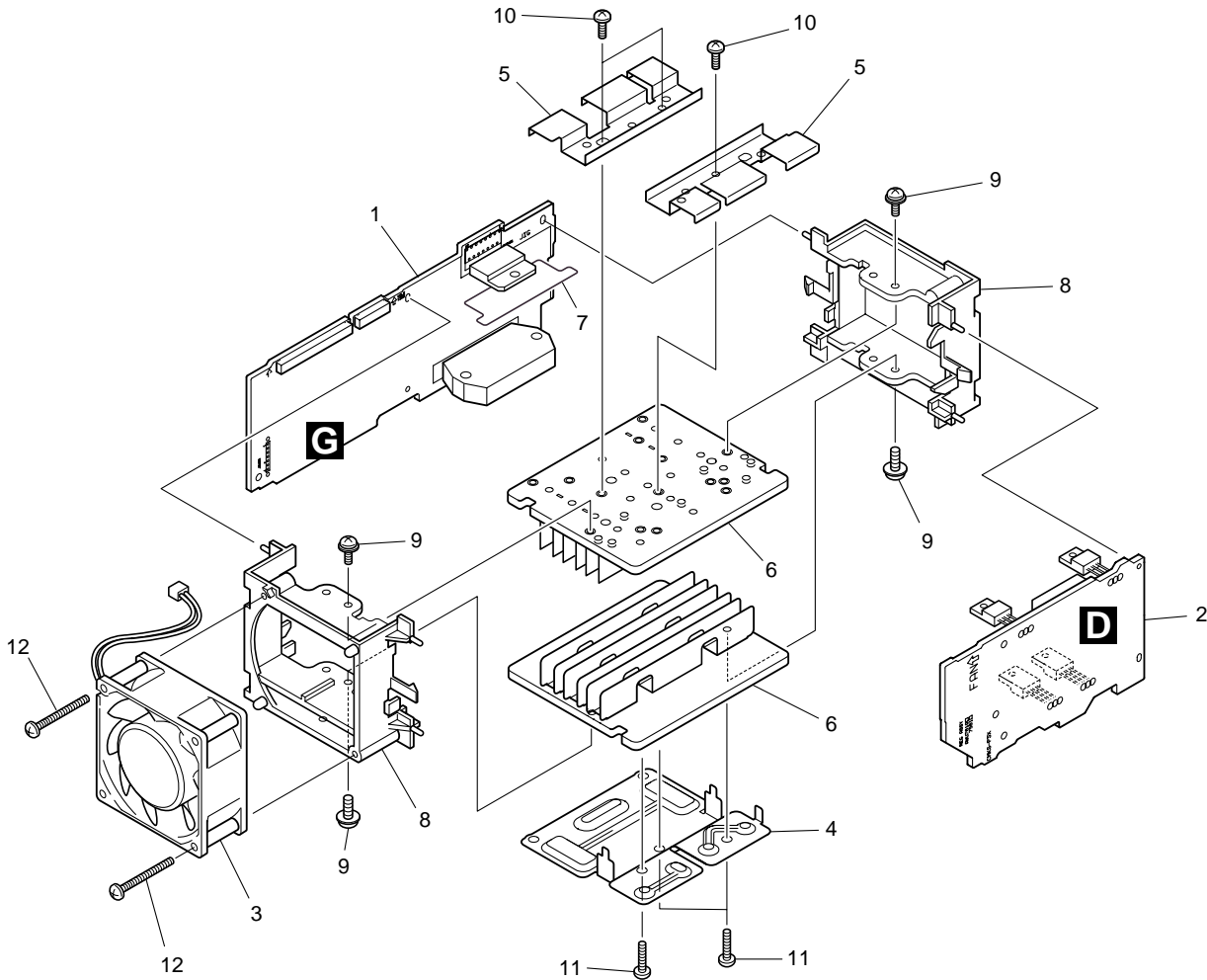
Mark	No.	Description	Part No.	Mark	No.	Description	Part No.
	1	AC IN Assy	AWU7556		21	Nylon Rivet	AEC7315
	2	PRIMARY Assy	AWU7557		22	Disc Guard	PNM1245
	3	SECONDRY Assy	AWU7558		23	Foot (Rubber)	REC-434
	4	COMPLEX Assy	AWU7559	NSP	24	Card Spacer	REC1156
	5	LED Assy	AWU7562		25	Front Panel	AMB7702
	6	HP Assy	AWU7563		26	LED Lens	PNW2019
	7	Power Transformer (T1)	ATS7278		27	Bonnet	AZN7837
	8	Fuse (FU1) (T2AL250V)	REK1025	NSP	28	Label	See Contrast table (2)
NSP	9	Chassis	ANA7110		29	Caution Label	ARW7146
	10	Rear Panel	ANC8029		30	Screw	BBZ30P080FNI
	11	Erath Plate	ANG7331		31	Screw	BPZ30P100FZK
	12	Lens Bracket	AAK7766		32	Screw	FBT40P060FCC
	13	Rear Mold	AAX7803		33	Spacer	AEB7224
	14	Leg	AEB7090				
	15	PCB Holder	AEC7057				
NSP	16	PCB Spacer (3×6)	AEC7156				
	17	Bottom Barrier	AEC7283				
	18	Side Barrier	AEC7285				
NSP	19	PCB Spacer	AEC7289				
	20	Sub Barrier	AEC7312				

**(2) CONTRAST TABLE**

MYXJ type and NVXJ type are constructed the same except for the following:

Mark	No.	Symbol and Description	Part No.		Remarks
			MYXJ type	NVXJ type	
NSP	28	Label	ARW7134	ARW7133	

2.3 HEAT SINK ASSY



• HEAT SINK ASSY SECTION PARTS LIST

Mark No.	Description	Part No.	Mark No.	Description	Part No.
1	AMP Assy	AWU7560	6	Heat Sink	ANH7132
2	REG Assy	AWU7561	7	Mica Sheet	AEE7036
3	DC Fan Motor	AXM7014	8	Fan Mold	AMR7321
4	Power Pac Holder	ANG7109	9	Screw	ABA1021
5	Heat Plate	ANG7328	10	Screw	BBZ30P080FNI
			11	Screw	BBZ30P160FMC
			12	Screw	BPZ30P350FZK

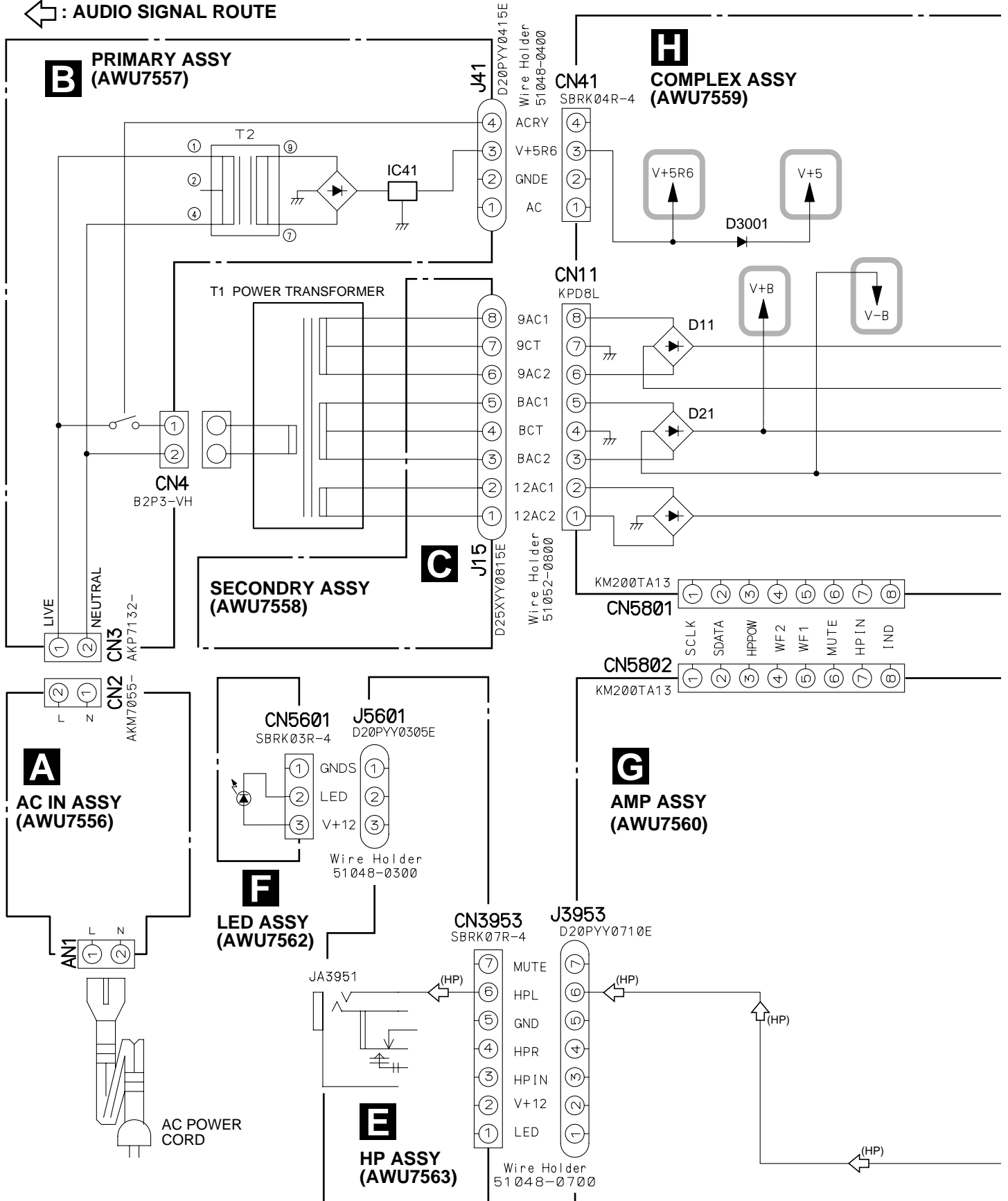


### 3. BLOCK DIAGRAM AND SCHEMATIC DIAGRAM

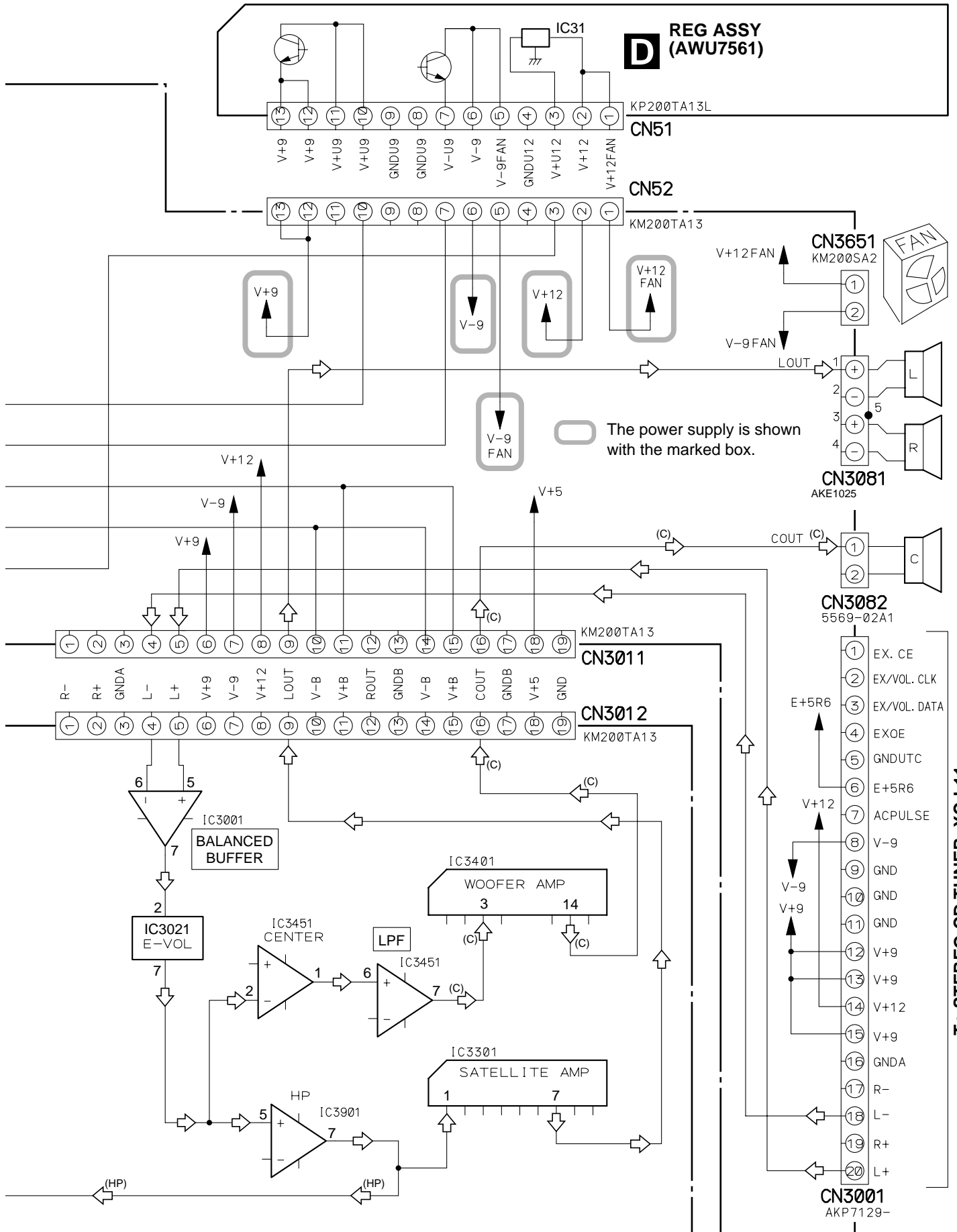
Note: When ordering service parts, be sure to refer to "EXPLODED VIEWS AND PARTS LIST" or "PCB PARTS LIST".

#### 3.1 BLOCK DIAGRAM and OVERALL CONNECTION DIAGRAM

← : AUDIO SIGNAL ROUTE







A

B

C

D

### 3.2 AC IN, PRIMARY and SECONDARY ASSYS

A

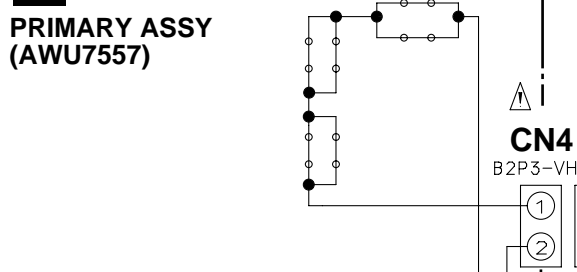
CAUTION : FOR CONTINUED PROTECTION AGAINST RISK OF FIRE.  
REPLACE WITH SAME TYPE NO. 491010 MFD. BY  
LITTELFUSE INC. FOR IC11 and IC12 (AEK7068).

CAUTION : FOR CONTINUED PROTECTION AGAINST RISK OF FIRE.  
REPLACE WITH SAME TYPE NO. 491007 MFD. BY  
LITTELFUSE INC. FOR IC13 and IC14 (AEK7047).

CAUTION : FOR CONTINUED PROTECTION AGAINST RISK OF FIRE.  
REPLACE WITH SAME TYPE NO. 49102.5 MFD. BY  
LITTELFUSE INC. FOR IC15 (AEK7049).

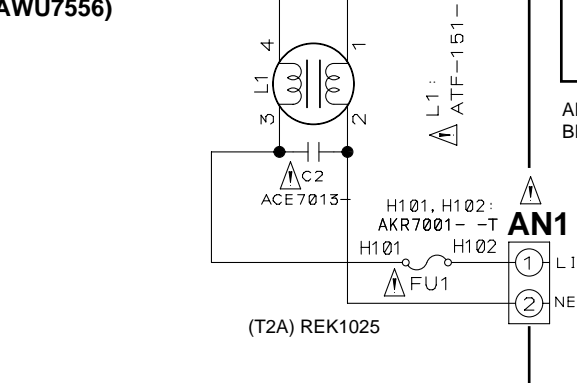
B

#### B PRIMARY ASSY (AWU7557)

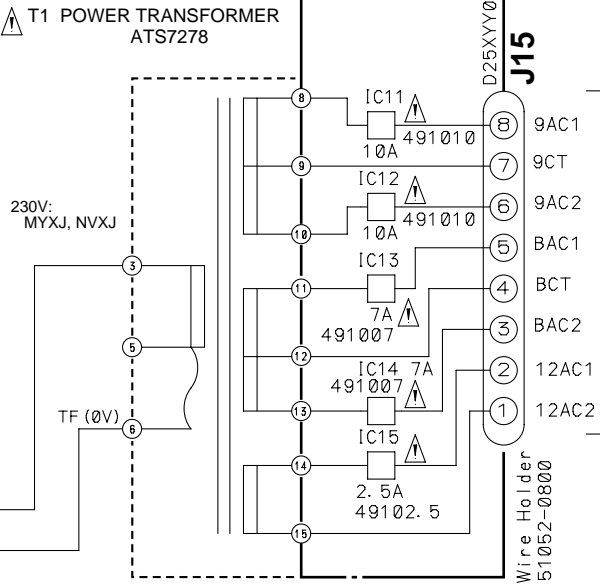


C

#### A AC IN ASSY (AWU7556)



#### C SECONDARY ASSY (AWU7558)



D

NOTE FOR FUSE REPLACEMENT

CAUTION: FOR CONTINUED PROTECTION AGAINST RISK OF FIRE.  
REPLACE ONLY WITH SAME TIME AND RATINGS ONLY.

AC220-230V 50/60Hz: MYXJ  
AC230V 50/60Hz: NVXJ

AC POWER CORD  
ADG1154: MYXJ  
ADG1156: NVXJ



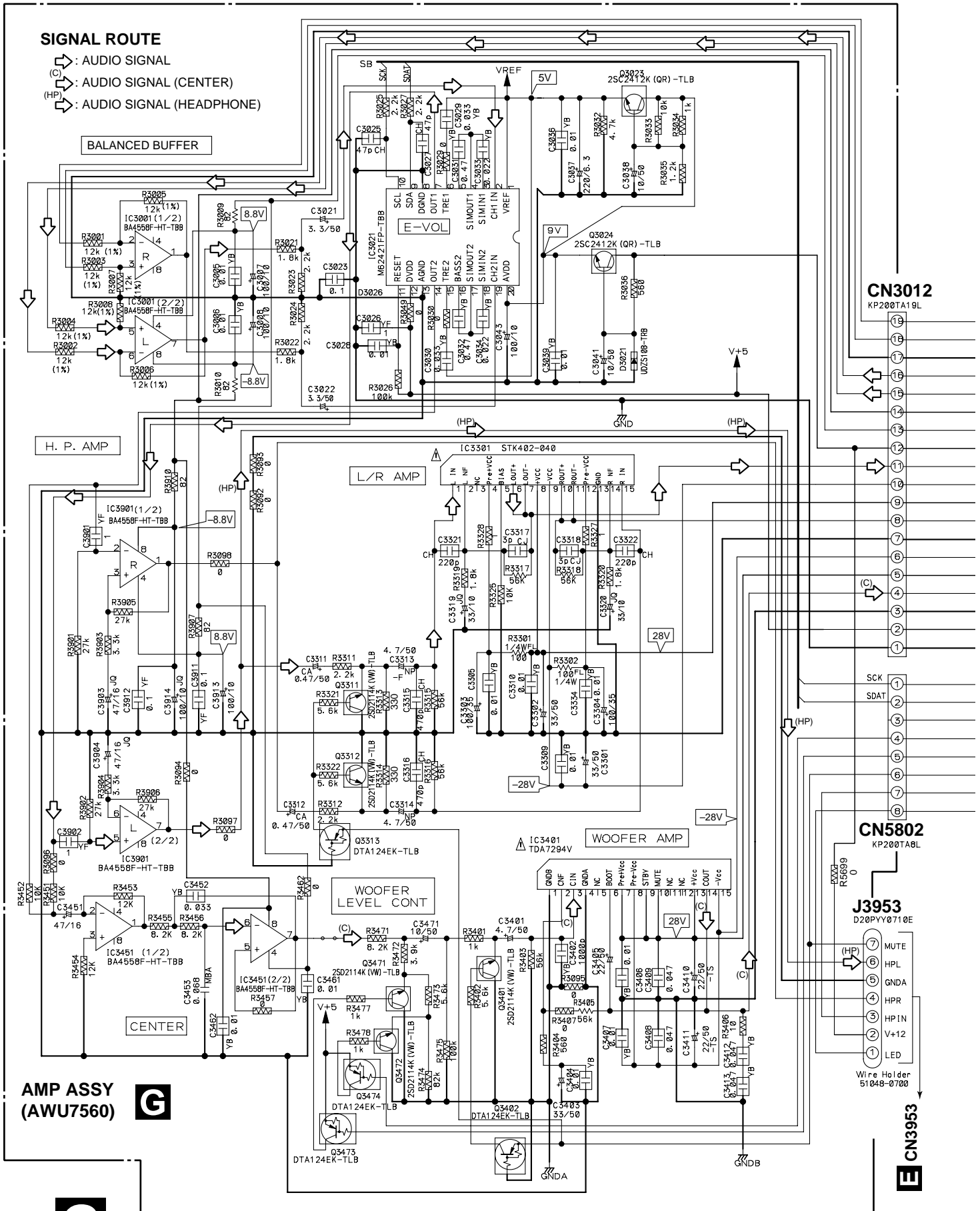
### 3.4 AMP and COMPLEX ASSYS

A

B

C

D



**CN3012**  
KP200TA19L

**CN5802**  
KP200TABL

**J3953**  
D20PY0710E

Wire Holder  
51048-0700

**CN3953**

#### SIGNAL ROUTE

- (A) : AUDIO SIGNAL
- (C) : AUDIO SIGNAL (CENTER)
- (HP) : AUDIO SIGNAL (HEADPHONE)

BALANCED BUFFER

H. P. AMP

L/R AMP

WOOFER LEVEL CONT

**AMP ASSY (AWU7560)**

**WOOFER AMP**

E-VOL





# 4. PCB CONNECTION DIAGRAM

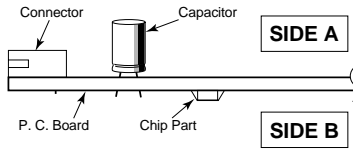
**NOTE FOR PCB DIAGRAMS:**

1. Part numbers in PCB diagrams match those in the schematic diagrams.
2. A comparison between the main parts of PCB and schematic diagrams is shown below.

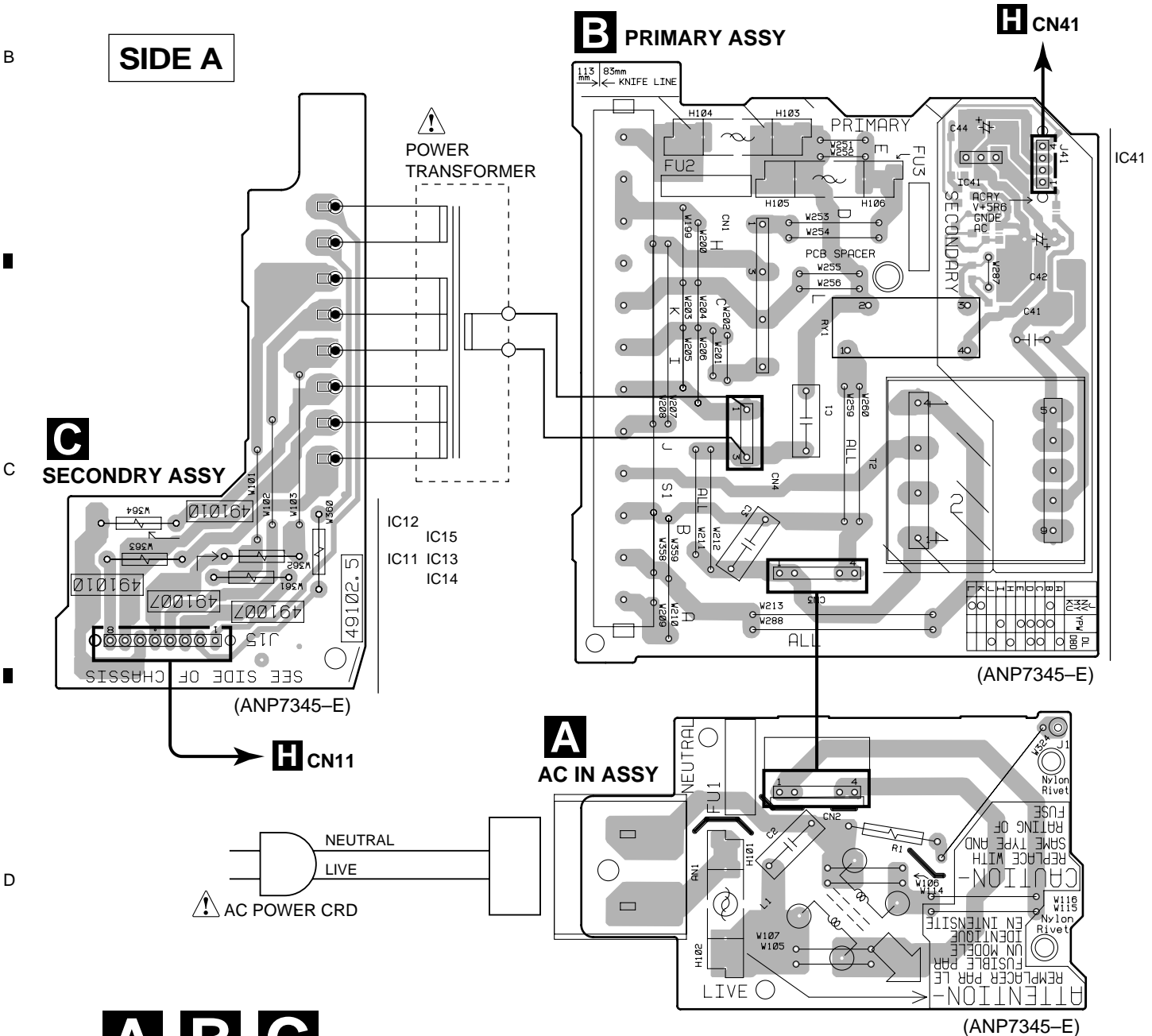
Symbol in PCB Diagrams	Symbol in Schematic Diagrams	Part Name
		Transistor
		Transistor with resistor
		Field effect transistor

Symbol in PCB Diagrams	Symbol in Schematic Diagrams	Part Name
		Resistor array
		3-terminal regulator

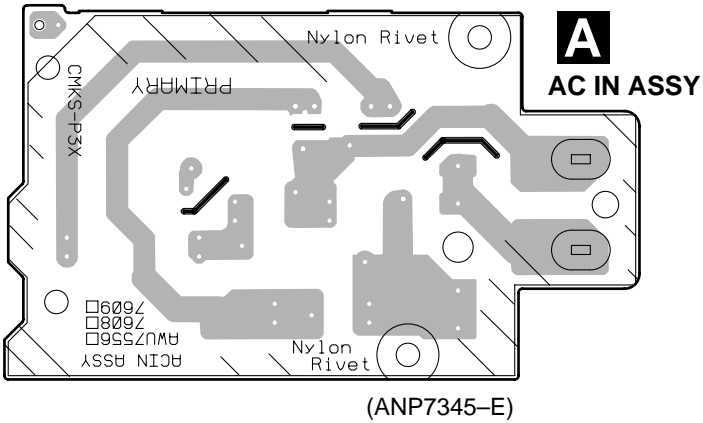
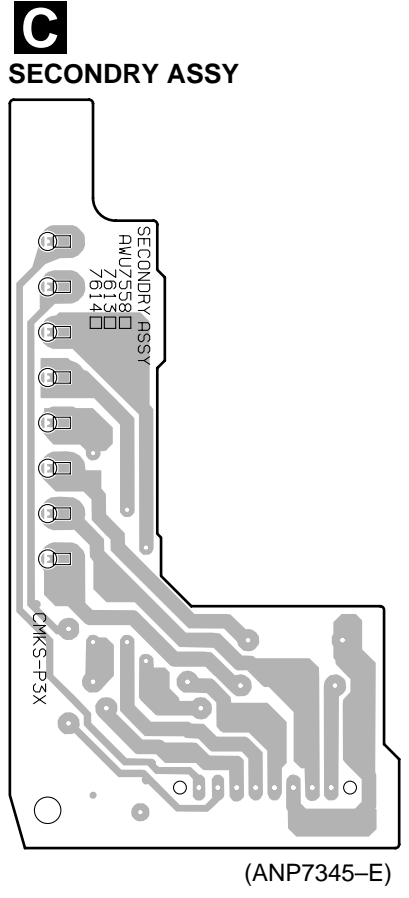
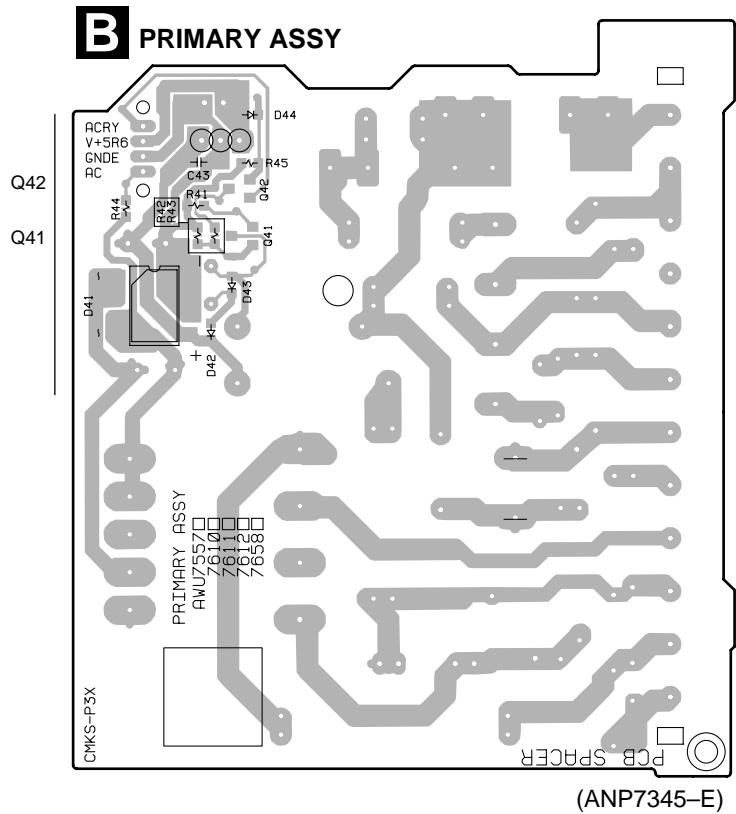
3. The parts mounted on this PCB include all necessary parts for several destination. For further information for respective destinations, be sure to check with the schematic diagram.
4. Viewpoint of PCB diagrams



## 4.1 AC IN, PRIMARY and SECONDRY ASSYS



SIDE B













## 5. PCB PARTS LIST

- NOTES :
- Parts marked by “NSP” are generally unavailable because they are not in our Master Spare Parts List.
  - The  $\triangle$  mark found on some component parts indicates the importance of the safety factor of the part. Therefore, when replacing, be sure to use parts of identical designation.
  - When ordering resistors, first convert resistance values into code form as shown in the following examples.
- Ex. 1 When there are 2 effective digits (any digit apart from 0), such as 560 ohm and 47k ohm (tolerance is shown by  $J = 5\%$ , and  $K = 10\%$ ).
- 560  $\Omega \rightarrow 56 \times 10^1 \rightarrow 561$  ..... RD1/4PU  $\boxed{5} \boxed{6} \boxed{1} J$   
 47k  $\Omega \rightarrow 47 \times 10^3 \rightarrow 473$  ..... RD1/4PU  $\boxed{4} \boxed{7} \boxed{3} J$   
 0.5  $\Omega \rightarrow R50$  ..... RN2H  $\boxed{R} \boxed{5} \boxed{0} K$   
 1  $\Omega \rightarrow 1R0$  ..... RS1P  $\boxed{1} \boxed{R} \boxed{0} K$
- Ex. 2 When there are 3 effective digits (such as in high precision metal film resistors).
- 5.62k  $\Omega \rightarrow 562 \times 10^1 \rightarrow 5621$  ..... RN1/4PC  $\boxed{5} \boxed{6} \boxed{2} \boxed{1} F$

Mark	No.	Description	Part No.	Mark	No.	Description	Part No.
------	-----	-------------	----------	------	-----	-------------	----------

### LIST OF PCB ASSEMBLIES

NSP	AMP MAIN Assy	AWM7499
	— AC IN Assy	AWU7556
	— PRIMARY Assy	AWU7557
	— SECONDRY Assy	AWU7558
	— COMPLEX Assy	AWU7559
	— AMP Assy	AWU7560
	— REG Assy	AWU7561
	— LED Assy	AWU7562
	— HP Assy	AWU7563

### CAPACITORS

$\triangle$	C1, C3 (0.01 $\mu$ F/275V)	ACE7013
	C44	CEAT101M10
$\triangle$	C42	CEAT102M16
	C41	CQMBA473J50

### RESISTORS

	All Resistors	RS1/10S $\square \square \square J$
--	---------------	-------------------------------------

### OTHERS

	41 4P CABLE HOLDER	51048-0400
$\triangle$	CN3 SOCKET 4P	AKP7132
$\triangle$	CN4 2P-VH CONNECTOR	B2P3-VH
	J 41 4P JUMPER WIRE	D20PYY0415E

### **A** AC IN ASSY COILS AND FILTERS

$\triangle$	L1	ATF-151
-------------	----	---------

### CAPACITORS

$\triangle$	C2 (0.01 $\mu$ F/275V)	ACE7013
-------------	------------------------	---------

### OTHERS

$\triangle$	CN2 PLUG 4P	AKM7055
	H101, H102 FUSE CLIP	AKR7001
$\triangle$	AN1 AC INLET 1P	BKP1046

### **C** SECONDRY ASSY

#### SEMICONDUCTORS

$\triangle$	IC13, IC14 PROTECTOR (7A)	AEK7047
$\triangle$	IC15 PROTECTOR (2.5A)	AEK7049
$\triangle$	IC11, IC12 PROTECTOR (10A)	AEK7068

### OTHERS

	15 8P CABLE HOLDER	51052-0800
	J 15 JUMPER WIRE	D25XYY0815E

### **B** PRIMARY ASSY

#### SEMICONDUCTORS

$\triangle$	IC41	NJM78M56FA
	Q41	2SC2412K
	Q42	DTA124EK
	D42, D44	1SS355
$\triangle$	D41	S1WB(A)60SD

### TRANSFORMERS

$\triangle$	T2	ATT7050
-------------	----	---------

### SWITCHES AND RELAYS

$\triangle$	RY1	ASR7018
-------------	-----	---------

### **D** REG ASSY

#### SEMICONDUCTORS

	IC51	BA4558F-HT
$\triangle$	IC31	NJM7812FA
	Q54	2SA933S
	Q53	2SB1237X
	Q55	2SC1740S

Mark	No.	Description	Part No.
⚠	Q51, Q52		2SD2395
	Q57		2SD2395
	D53, D54		1SS355
	D35		MTZJ6.8B
	D55, D56		UDZS5.1B

**CAPACITORS**

C34	CEAT100M50
C51, C57, C58	CEAT330M50
C53	CKSQYB103K50
C56	CKSQYB104K16
C35, C54	CKSQYB473K25
C55	CKSQYB474K16

**RESISTORS**

⚠ R61	RFA1/4PS100J
⚠ R65	RFA1/4PS151J
⚠ R81, R83	RS1LMFR22J
Other Resistors	RS1/10S □□□J

**OTHERS**

CN51	13P SOCKET	KP200TA13L
------	------------	------------

**E HP ASSY  
SEMICONDUCTORS**

Q3951, Q3952	2SD2114K
Q3953	DTA124EK

**CAPACITORS**

C3951-C3954	CKSQYB103K50
C5601	CKSQYF104Z25
C5602	CKSQYF105Z16

**RESISTORS**

All Resistors	RS1/10S □□□J
---------------	--------------

**OTHERS**

5602	3P CABLE HOLDER	51048-0300
JA3951	JACK	AKN7013
J 5601	3P JUMPER WIRE	D20PYY0305E
KN3951	EARTH METAL FITTING	VNF1084

**F LED ASSY  
SEMICONDUCTORS**

D5601	SLR-343VC(NPQ)
-------	----------------

**RESISTORS**

All Resistors	RS1/10S □□□J
---------------	--------------

Mark	No.	Description	Part No.
------	-----	-------------	----------

**G AMP ASSY  
SEMICONDUCTORS**

IC3001, IC3451, IC3901	BA4558F-HT
IC3021	M62421FP
⚠ IC3301	STK402-040
⚠ IC3401	TDA7294V
Q3023, Q3024	2SC2412K
Q3311, Q3312, Q3401, Q3471, Q3472	2SD2114K
Q3313, Q3402, Q3473, Q3474	DTA124EK
D3021	UDZS10B

**CAPACITORS**

C3321, C3322	CCSQCH221J50
C3025, C3027	CCSQCH470J50
C3317, C3318	CCSQCJ3R0C50
C3315, C3316	CCSQL471J50
C3313, C3314	CEANP4R7M50
C3038, C3041, C3471	CEAT100M50
C3007, C3008, C3043, C3913	CEAT101M10
C3303, C3304	CEAT101M35
C3405, C3410, C3411	CEAT220M50
C3037	CEAT221M6R3

C3301, C3302, C3403	CEAT330M50
C3021, C3022	CEAT3R3M50
C3451	CEAT470M16
C3401	CEAT4R7M50
C3311, C3312	CECAR47M50

C3914	CEJQ101M10
C3319, C3320	CEJQ330M10
C3903, C3904	CEJQ470M16
C3402	CKSQYB102K50
C3005, C3006, C3028, C3036, C3039	CKSQYB103K50

C3305, C3309, C3310, C3334, C3404	CKSQYB103K50
C3406, C3407, C3461, C3462	CKSQYB103K50
C3033, C3034	CKSQYB223K25
C3029, C3030	CKSQYB333K25
C3452	CKSQYB333K50

C3412, C3413	CKSQYB473K50
C3031, C3032	CKSQYB474K16
C3023, C3911, C3912	CKSQYF104Z25
C3026, C3901, C3902	CKSQYF105Z16
C3408, C3409	CKSQYF473Z50

C3453	CQMBA683J50
-------	-------------



**RESISTORS**

R3301, R3302	RD1/4LMF101J
R3317, R3318, R3405	RD1/4PU563J
R3009, R3010	RD1/4PU820J
R3001-R3008	RS1/10S1202F
Other Resistors	RS1/10S □□□J

# M-L11

Mark No.	Description	Part No.
<b>OTHERS</b>		
3953	7P CABLE HOLDER	51048-0700
J 3953	JUMPER WIRE	D20PYY0710E
CN3012	19P SOCKET	KP200TA19L
CN5802	8P SOCKET	KP200TA8L

## COMPLEX ASSY SEMICONDUCTORS

IC5801		BU4094BCF
Q3601–Q3603		2SA1037K
Q3604–Q3606		2SC2412K
Q3607, Q3652		2SD2114K
Q3651, Q5802, Q5804		DTA124EK
Q3653		DTA124TK
Q3654, Q3659, Q43		DTC124EK
Q5601, Q5803		DTC143EK
D3604		1SS133
D3001, D3081, D3601–D3603		1SS355
D3651–D3653, D3655–D3658		1SS355
 D11, D21		D3SBA20(B)
 D32		S1WB(A)60SD
D3654		S5688G






## COILS AND FILTERS

L3081–L3083 (5.3μH)	ATH-059
L3021	LAU560J

## SWITCHES AND RELAYS

RY3081, RY3082	ASR7007
----------------	---------

## CAPACITORS

 C13 (18000μF/25V)	ACH7099
C5802, C5803, C5805	CCSQCH221J50
C3602	CEAT100M50
C3659	CEAT101M10
C3651	CEAT101M16
C3601	CEAT221M6R3
 C36	CEAT222M25
C3652	CEAT470M25
 C14	CEAT682M25
C3087, C3089, C3091, C3093–C3095	CKSQYB102K50
C3088, C3090, C3092	CKSQYB103K50
C5801	CKSQYB472K50
C3331–C3333, C3338	CKSQYB473K50
C5804	CKSQYF104Z25
C3081–C3086	CKSQYF473Z50
 C21, C22	CQMA223K2E
C11, C12, C37	CQMA473J50
 C23, C24 (4700μF/35V)	RCH1107

## RESISTORS

R3601–R3603 (0.1Ω/ 1W)	ACN7100
R3081–R3083	RD1/4LMF101J
R5821, R5822	RD1/4PU103J
R3617	RD1/4PU152J
R5807	RD1/4PU1R0J

Mark No.	Description	Part No.
R5806		RD1/4PU222J
R5808		RD1/4PU223J
R3699		RD1/4PU330J
R5823		RD1/4PU472J
Other Resistors		RS1/10S □□□J

## OTHERS

CN3082	2P CONNECTOR	5569-02A1
3081	SPEAKER TERMINAL 4-P	AKE7079
CN3001	20P SOCKET	AKP7129
CN3651		KM200SA2
CN52	13P PLUG	KM200TA13
CN3011	19P PLUG	KM200TA19
CN5801	8P PLUG	KM200TA8
CN11	L-CONNECTOR (8P)	KPD8L
3082	SCREW PLATE	VNE1948

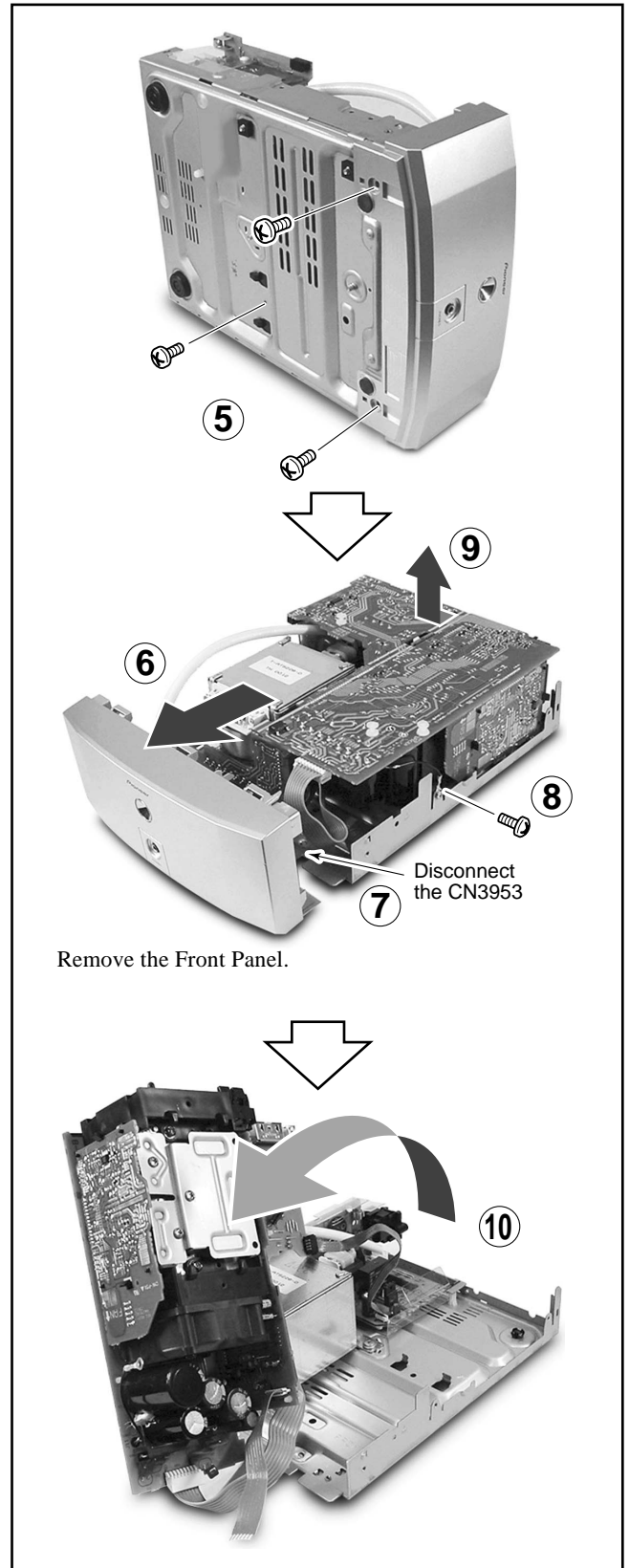
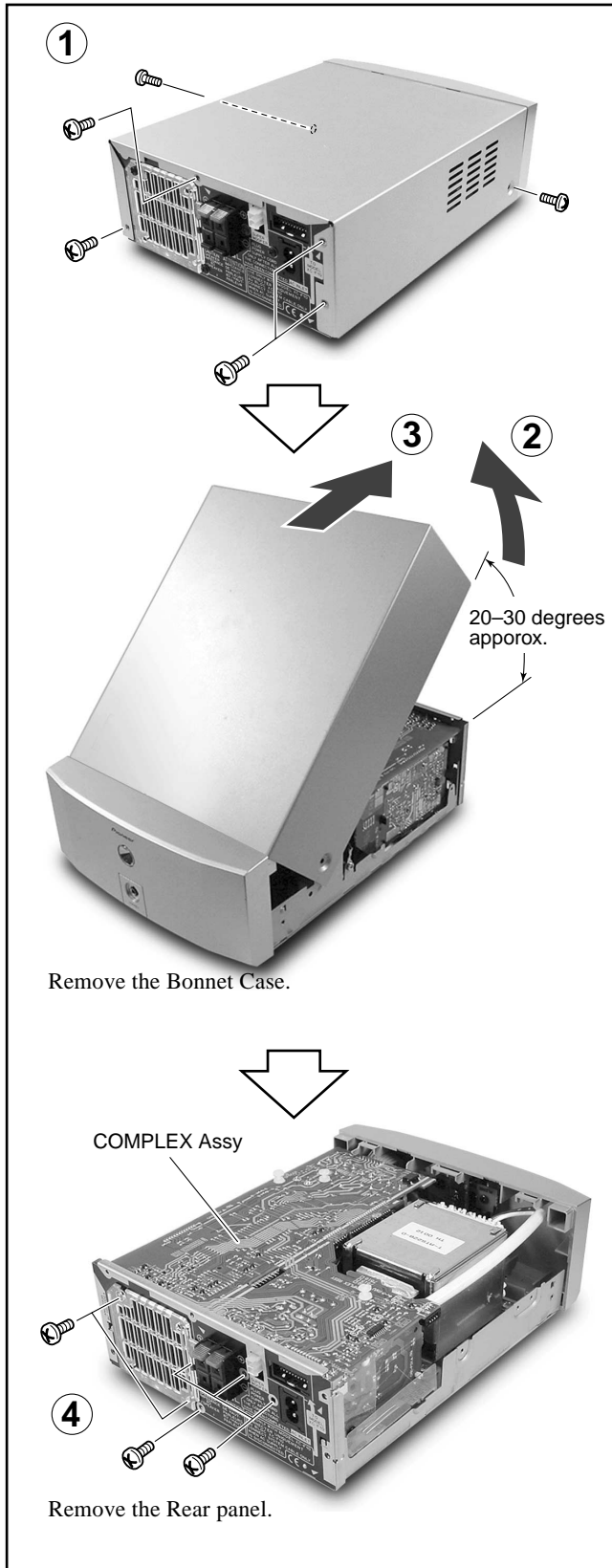
## 6. ADJUSTMENT

There is no information to be shown in this chapter.

# 7. GENERAL INFORMATION

## 7.1 DIAGNOSIS

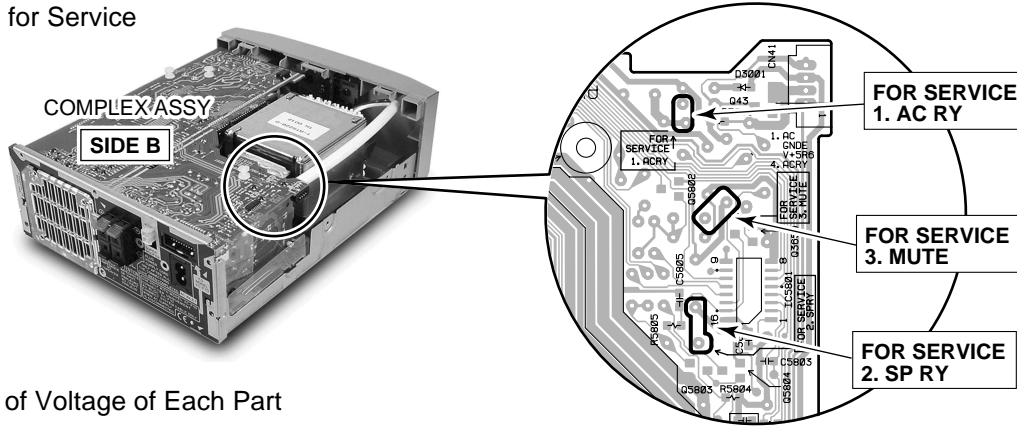
### 7.1.1 DISASSEMBLY



### 7.1.2 SINGLE OPERATION METHOD

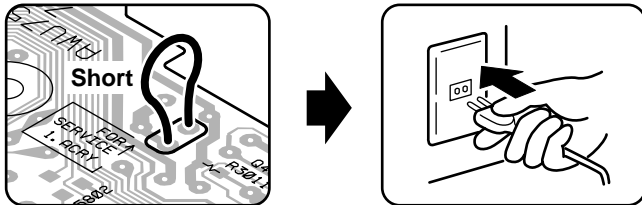
■ Voltage of each part and method of diagnosing each IC

● Test Point for Service



● Diagnosis of Voltage of Each Part

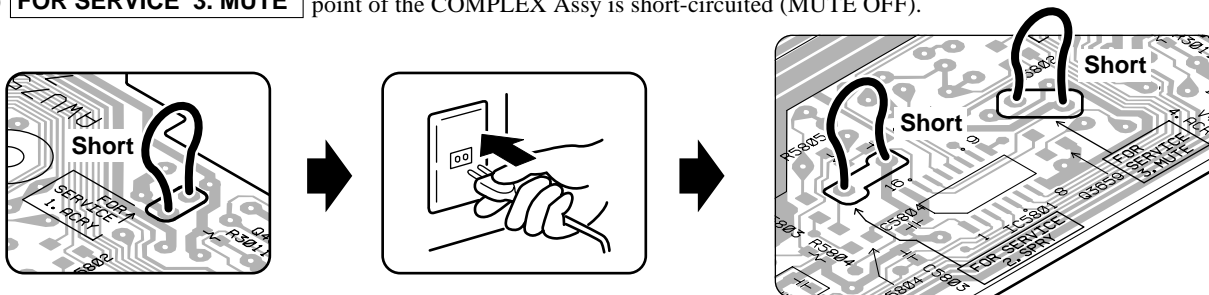
- ① **FOR SERVICE 1. AC RY** point of the COMPLEX Assy is short-circuited (AC RELAY ON), and the AC power code is inserted in the power supply outlet.



- ② The voltage of each part is checked.  
Refer to next page (diagnosis point).

● Diagnosis of Each IC

- ① **FOR SERVICE 1. AC RY** point of the COMPLEX Assy is short-circuited (AC RELAY ON), and the AC power code is inserted in the power supply outlet.
- ② **FOR SERVICE 2. SP RY** point of the COMPLEX Assy is short-circuited (SP RELAY ON).
- ③ **FOR SERVICE 3. MUTE** point of the COMPLEX Assy is short-circuited (MUTE OFF).



- ④ The AUDIO signal (About 1kHz) is input to the input side of each IC, and the output is confirmed.  
Refer to next page (diagnosis point).

OP amplifier (AMP Assy) . . . . . IC3001, IC3901, and IC3451  
Amplifier (AMP Assy) . . . . . IC3301 and IC3401

● Diagnosis of IC3021

Note: The single operation confirmation cannot be done, because IC3021(E-VOL) is controlled with the microcomputer of Stereo CD tuner (XC-L11).

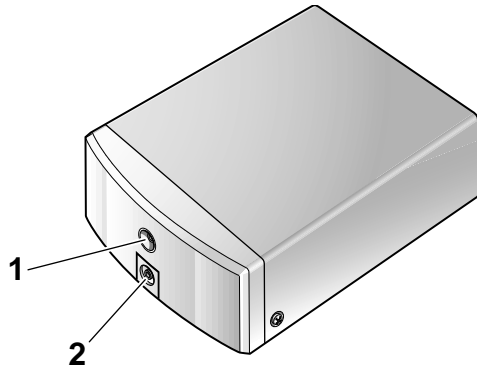




## 8. PANEL FACILITIES AND SPECIFICATIONS

### 8.1 PANEL FACILITIES

- 1 **Power indicator** – lights when the system is on
- 2 **Headphone jack** – plug in a pair of headphones for private listening (the sound from the speakers is muted when headphones are plugged in)



### 8.2 SPECIFICATIONS

**Continuous Power (RMS)**

- Satellite ... 30 W + 30 W (3 kHz, THD 10%, 8 Ω)
- Subwoofer ..... 50 W (70 Hz, THD 10%, 4 Ω)

**Continuous Power (DIN)**

- Satellite ..... 23 W + 23 W (3 kHz, THD 1%, 8 Ω)
- Subwoofer ..... 43 W (70 Hz, THD 1%, 4 Ω)

**Power Requirements**

- Europe model ..... AC 220-230 V, 50/60 Hz
- UK model ..... AC 230 V, 50/60 Hz

Power Consumption ..... 102 W

Power Consumption in Standby mode ..... 0.9 W

- Above specifications are for when the power supply is 230 V.

Dimensions ..... 190 (W) x 80 (H) x 267 (D) mm

Weight ..... 4.0 kg

**Operating conditions:**

Temperature ..... +5°C to +35°C

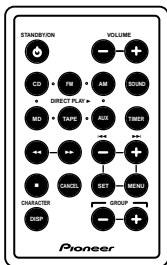
Humidity ... 5% to 85% (without condensation)

**Accessories**

Remote control unit .....	1
Lithium battery (CR2025) .....	1
AM loop antenna .....	1
FM wire antenna .....	1
AC power cord .....	1
System cable .....	1
Display cable .....	1
Operating instructions .....	1
Warranty card .....	1

**NOTE:** Specifications and design subject to possible modification without notice, due improvements.

### ACCESSORIES



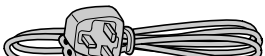
Remote control unit (AXD7306)



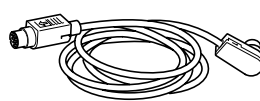
Lithium battery (CR2025)



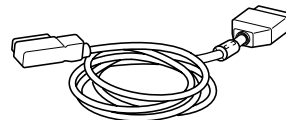
AC power cord (ADG1154) (For MYXJ type)



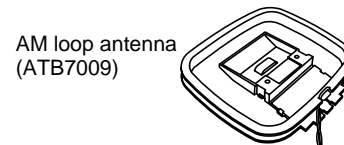
AC power cord (ADG1156) (For NVXJ type)



Display cable (ADE7077)



System cable (ADE7057)



AM loop antenna (ATB7009)

FM wire antenna (ADH7005)

