

Service Manual

 **PIONEER®**
The Art of Entertainment

ORDER NO.
RRV1993

PORTABLE CD PLAYER

PCD-005

PCD-006

PCD-007

PCD-008

- Refer to the service manual RRV1992 for PCD-001/KUCXTL.
- Parts of the exploded view are all mentioned in this manual.

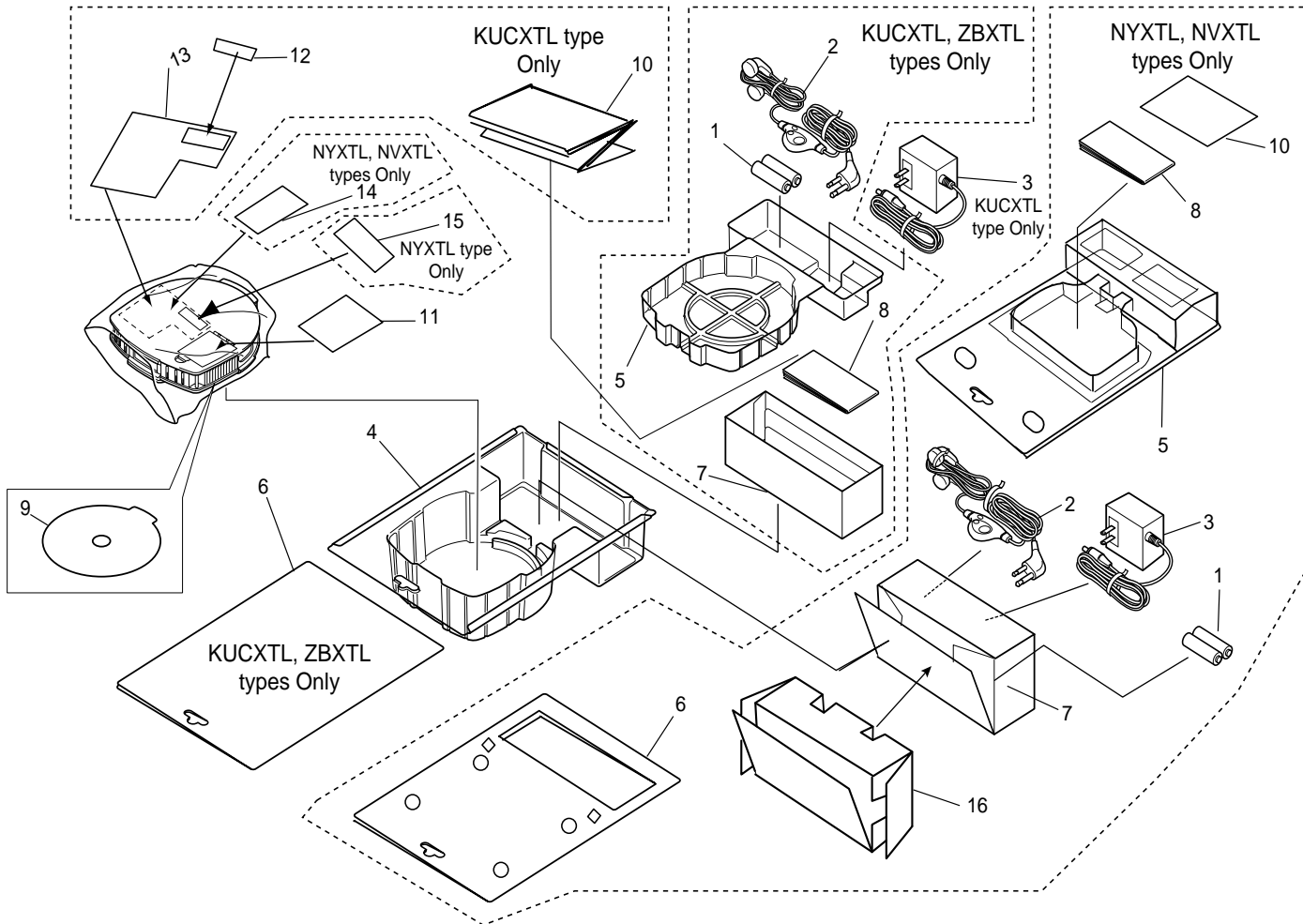
THIS MANUAL IS APPLICABLE TO THE FOLLOWING MODEL(S) AND TYPE(S).

Type	Model				Power Requirement	Remarks
	PCD-005	PCD-006	PCD-007	PCD-008		
KUCXTL	○	○	○	○	AC120V ADAPTOR or BATTERIES (1.5VX2)Not included	
ZBXTL	○	○	○	○	BATTERIES (Two included)	
NVXTL	○	○	—	—	AC230V ADAPTOR or BATTERIES (Two included)	
NYXTL	○	○	—	—	AC230V ADAPTOR or BATTERIES (Two included)	

1. EXPLODED VIEWS AND PARTS LIST

- NOTES :
- Parts marked by “NSP” are generally unavailable because they are not in our Master Spare Parts List.
 - The \triangle mark found on some component parts indicates the importance of the safety factor of the part. Therefore, when replacing, be sure to use parts of identical designation.
 - Screw adjacent to ∇ mark on the product are used for disassembly.

1.1 PACKING



■ PACKING PARTS LIST OF PCD-005


PCD-005/KUCXTL, NVXTL, NYXTL and ZBXTL are constructed the same except for the following:

Mark	No.	Symbol and Description	Part No.				Remarks	
			PCD-005					
			KUCXTL	NVXTL	NYXTL	ZBXTL		
NSP	1	Battery (KR, AA)	Not used	008620700303	008620700303	Not used		
	1	Battery (LR6, AA)	Not used	Not used	Not used	AEX1007		
	2	Innerphone with remote	PZP1007	PZP1007	PZP1007	PZP1007		
	⚠	3	AC Adapter	002753800113	002754000113	002753900113	Not used	
	4	Blister Package	2575902001	Not used	Not used	2575902001		
	4	Blister Front	Not used	2575940000	2575940000	Not used		
	5	Blister Package C	2575904001	Not used	Not used	2575904001		
	5	Blister Rear	Not used	2575941000	2575941000	Not used		
	6	Package Board	2575906004	Not used	Not used	2575906008		
	6	Package Board B	Not used	2575905002	2575905002	Not used		
	7	Package Box	2575916004	Not used	Not used	2575916007		
	7	Package Box B	Not used	2575917002	2575917002	Not used		
	8	Operating Instructions (English/ French)	2575920104	Not used	Not used	Not used		
	8	Operating Instructions (English/ French/ German/ Italian/ Dutch/ Swedish/ Spanish/ Portuguese)	Not used	2575920105	2575920105	Not used		
	8	Operating Instructions (English/ Chinese)	Not used	Not used	Not used	2575920106		
	9	Information Sheet	2575851016	2575851019	2575851018	2575851029		
NSP	10	Guarantee Card	2575925001	2575925002	2575925002	Not used		
NSP	11	BT Caution Label	2575855000	2575855000	2575855000	2575855000		
NSP	12	FDA Label	2519859000	Not used	Not used	Not used		
NSP	13	FCC / FDA / DOC Label	2575960000	Not used	Not used	Not used		
14	WARNING Label	Not used	2575225000	2575225000	Not used			
15	H. P. SOUND Label	Not used	Not used	2575849000	Not used			
16	Spacer C	Not used	Not used	2575932000	Not used			
16	Spacer D	Not used	2575933000	Not used	Not used			

PCD-005, PCD-006, PCD-007, PCD-008


■ PACKING PARTS LIST OF PCD-006

PCD-006/KUCXTL, NVXTL, NYXTL and ZBXTL are constructed the same except for the following:

Mark	No.	Symbol and Description	Part No.				Remarks
			PCD-006				
			KUCXTL	NVXTL	NYXTL	ZBXTL	
NSP 	1	Battery (KR, AA)	Not used	008620700303	008620700303	Not used	
	1	Battery (LR6, AA)	Not used	Not used	Not used	AEX1007	
	2	Innerphone with remote	PZP1007	PZP1007	PZP1007	PZP1007	
	3	AC Adapter	002753800113	002754000113	002753900113	Not used	
	4	Blister Package	2575902001	Not used	Not used	2575902001	
	4	Blister Front	Not used	2575940000	2575940000	Not used	
	5	Blister Package C	2575904001	Not used	Not used	2575904001	
	5	Blister Rear	Not used	2575941000	2575941000	Not used	
	6	Package Board	2575906005	Not used	Not used	2575906008	
	6	Package Board B	Not used	2575905002	2575905002	Not used	
	7	Package Box	2575916005	Not used	Not used	2575916007	
	7	Package Box B	Not used	2575917002	2575917002	Not used	
	8	Operating Instructions (English/ French)	2575920104	Not used	Not used	Not used	
	8	Operating Instructions (English/ French/ German/ Italian/ Dutch/ Swedish/ Spanish/ Portuguese)	Not used	2575920105	2575920105	Not used	
	8	Operating Instructions (English/ Chinese)	Not used	Not used	Not used	2575920106	
	9	Information Sheet	2575851039	2575851020	2575851020	2575851030	
NSP	10	Guarantee Card	2575925001	2575925002	2575925002	Not used	
NSP	11	BT Caution Label	2575855000	2575855000	2575855000	2575855000	
NSP	12	FDA Label	2519859000	Not used	Not used	Not used	
NSP	13	FCC / FDA / DOC Label	2575960000	Not used	Not used	Not used	
	14	WARNING Label	Not used	2575225000	2575225000	Not used	
	15	H. P. SOUND Label	Not used	Not used	2575849000	Not used	
	16	Spacer C	Not used	Not used	2575932000	Not used	
	16	Spacer D	Not used	2575933000	Not used	Not used	


■ PACKING PARTS LIST OF PCD-007

PCD-007/KUCXTL and ZBXTL are constructed the same except for the following:

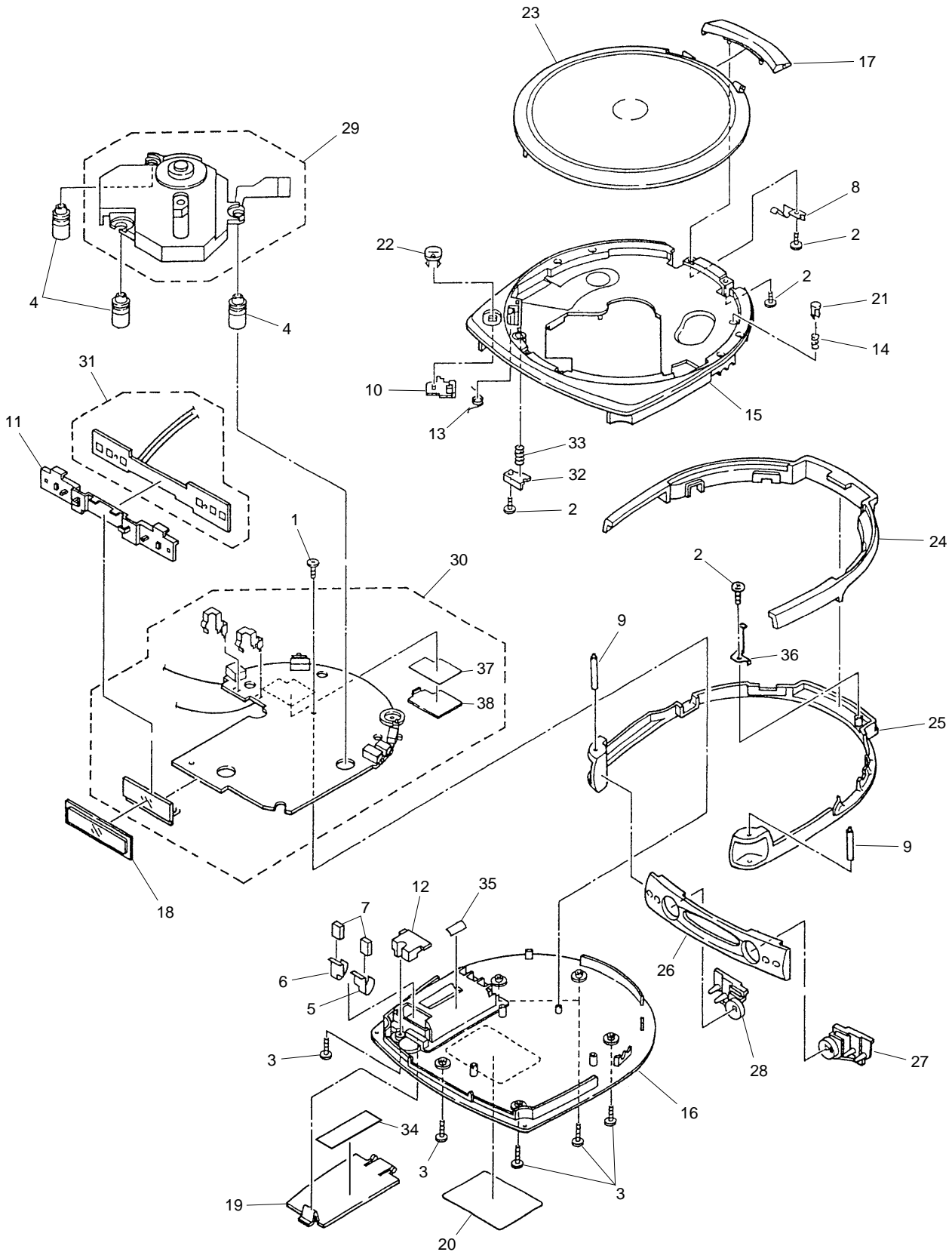
Mark	No.	Symbol and Description	Part No.		Remarks
			KUCXTL type	ZBXTL type	
NSP 	1	Battery (LR6, AA)	Not used	AEX1007	
	2	Innerphone with remote	PZP1007	PZP1007	
	3	AC Adapter	002753800113	Not used	
	4	Blister Package	2575902001	2575902001	
	5	Blister Package C	2575904001	2575904001	
	6	Package Board	2575906004	2575906008	
	7	Package Box	2575916004	2575916007	
	8	Operating Instructions (English/ French)	2575920104	Not used	
	8	Operating Instructions (English/ Chinese)	Not used	2575920106	
9	Information Sheet	2575851040	2575851031		
NSP	10	Guarantee Card	2575925001	Not used	
NSP	11	BT Caution Label	2575855000	2575855000	
NSP	12	FDA Label	2519859000	Not used	
NSP	13	FCC / FDA / DOC Label	2575960000	Not used	
	14	WARNING Label	Not used	2575225000	
	15	H. P. SOUND Label	Not used	Not used	
	16	Spacer	Not used	Not used	

■ PACKING PARTS LIST OF PCD-008

PCD-008/KUCXTL and ZBXTL are constructed the same except for the following:

Mark	No.	Symbol and Description	Part No.		Remarks
			KUCXTL type	ZBXTL type	
NSP 	1	Battery (LR6, AA)	Not used	AEX1007	
	2	Innerphone with remote	PZP1007	PZP1007	
	3	AC Adapter	002753800113	Not used	
	4	Blister Package	2575902001	2575902001	
	5	Blister Package C	2575904001	2575904001	
	6	Package Board	2575906004	2575906008	
	7	Package Box	2575916004	2575916007	
	8	Operating Instructions (English/ French)	2575920104	Not used	
	8	Operating Instructions (English/ Chinese)	Not used	2575920106	
9	Information Sheet	2575851041	2575851032		
NSP	10	Guarantee Card	2575925001	Not used	
NSP	11	BT Caution Label	2575855000	2575855000	
NSP	12	FDA Label	2519859000	Not used	
NSP	13	FCC / FDA / DOC Label	2575960000	Not used	
	14	WARNING Label	Not used	2575225000	
	15	H. P. SOUND Label	Not used	Not used	
	16	Spacer	Not used	Not used	

1.2 EXTERIOR



(1) EXTERIOR PARTS LIST

Mark	No.	Description	Part No.	Mark	No.	Description	Part No.
	1	Screw	0974354408		21	Detection Knob	See Contrast table (2)
	2	Screw	0977020053		22	Open Knob	See Contrast table (2)
	3	Screw	0977020103		23	CD Door	See Contrast table (2)
	4	Rubber Cushion	2528300000		24	Ring U	See Contrast table (2)
	5	Battery Terminal A1	2569184100		25	Ring B	See Contrast table (2)
	6	Battery Terminal A2	2569185100		26	Front Panel	See Contrast table (2)
	7	Cushion 2	2569868000		27	Tact Knob R	See Contrast table (2)
	8	Plate Spring	2575180000		28	Tact Knob L	See Contrast table (2)
	9	Shaft	2575201000		29	CD MECHA UNIT	2597050000
	10	Lock Lever	2575270000		30	CD AMP UNIT	See Contrast table (2)
	11	LCD Holder	2575271000		31	CD SW UNIT	2575005000
	12	Terminal Holder	2575272000		32	Plate Up	See Contrast table (2)
	13	Open Spring	2575401000		33	Com Spring Up	2575403000
	14	Com Spring	2575402000		34	BT Caution Label	2575855000
	15	Case	See Contrast table (2)	NSP	35	Double Face	2570880000
	16	Case B	See Contrast table (2)		36	Hold Plate	2575181000
	17	Hinge Cover	See Contrast table (2)		37	Insulation Sheet 2	2569886000
	18	LCD Window	2575815002		38	Heat Sink	2569133000
	19	Battery Cover	See Contrast table (2)				
	20	Rear Label	See Contrast table (2)				

(2) CONTRAST TABLE

PCD-005, PCD-006, PCD-007 and PCD-008 are constructed the same except for the following:

Mark	No.	Symbol and Description	Part No.				Remarks
			PCD-005 /KUCXTL /ZBXTL /NVXTL /NYXTL	PCD-006 /KUCXTL /ZBXTL /NVXTL /NYXTL	PCD-007 /KUCXTL /ZBXTL	PCD-008 /KUCXTL /ZBXTL	
	15	Case	2575801005	2575801006	2575801007	2575801008	
	16	Case B	2575803005	2575803006	2575803007	2575803008	
	17	Hinge Cover	2575813005	2575813006	2575813007	2575813008	
	19	Battery Cover	2575816005	2575816006	2575816007	2575816008	
	20	Rear Label	*	*	*	*	
	21	Detection Knob	2575865003	2575865007	2575865003	2575865006	
	22	Open Knob	2575866005	2575866006	2575866007	2575866008	
	23	CD Door	2577805001	2577805002	2577805003	2577805004	
	24	Ring U	2577807001	2577807002	2577807003	2577807004	
	25	Ring B	2577808001	2577808002	2577808003	2577808004	
	26	Front Panel	2577810001	2577810002	2577810003	2577810004	
	27	Tact Knob R	2577860001	2577860002	2577860003	2577860004	
	28	Tact Knob L	2577861001	2577861002	2577861003	2577861004	
	30	CD AMP UNIT	*	*	*	*	
	32	Plate Up	2575273003	2575273007	2575273003	2575273006	

* Refer to "(3) CONTRAST TABLE of Rear Label and CD AMP UNIT".

PCD-005, PCD-006, PCD-007, PCD-008

(3) CONTRAST TABLE of REAR LABEL and CD AMP UNIT

■ for PCD-005

Mark	No.	Symbol and Description	Part No.				Remarks
			PCD-005				
			KUCXTL	NVXTL	NYXTL	ZBXTL	
	20	Rear Label	2575850015	2575850022	2575850018	2575850028	
	30	CD AMP UNIT	2575002000	2575004000	2575003000	2575004000	

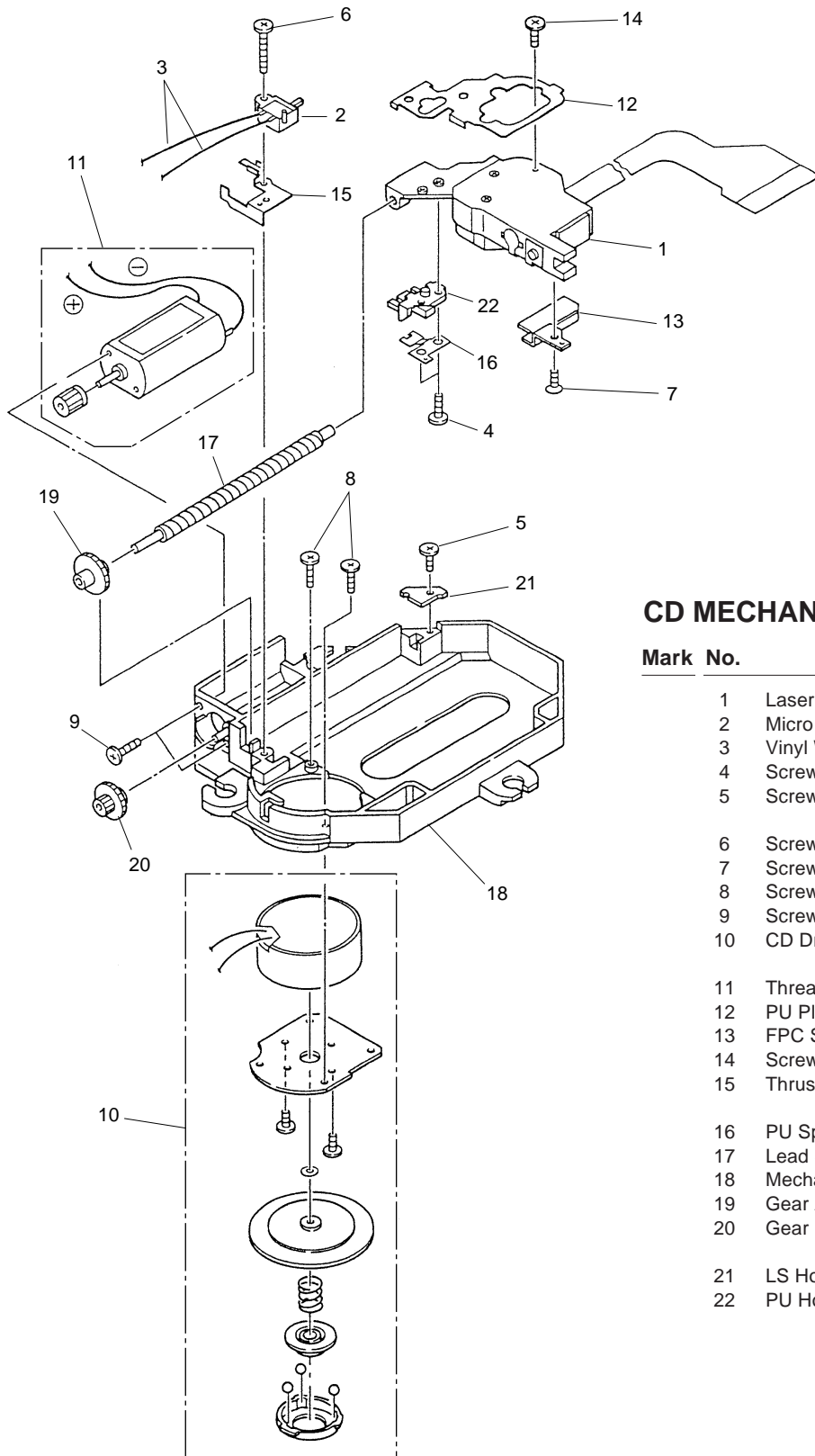
■ for PCD-006

Mark	No.	Symbol and Description	Part No.				Remarks
			PCD-006				
			KUCXTL	NVXTL	NYXTL	ZBXTL	
	20	Rear Label	2575850038	2575850023	2575850019	2575850029	
	30	CD AMP UNIT	2575002000	2575004000	2575003000	2575004000	

■ for PCD-007 and PCD-008

Mark	No.	Symbol and Description	Part No.				Remarks
			PCD-007		PCD-008		
			KUCXTL	ZBXTL	KUCXTL	ZBXTL	
	20	Rear Label	2575850039	2575850030	2575850040	2575850031	
	30	CD AMP UNIT	2575002000	2575004000	2575002000	2575004000	

1.3 CD MECHANISM UNIT SECTION



CD MECHANISM UNIT PARTS LIST

Mark No.	Description	Part No.
1	Laser P.U, SPU3090	002001500001
2	Micro SW	0036819000
3	Vinyl Wire	0968606110
4	Screw	0974354405
5	Screw	0974354508
6	Screw	0974354708
7	Screw	0974665404
8	Screw	0974754403
9	Screw	0974755403
10	CD Drive Motor	2595604100
11	Thread Motor	2597601100
12	PU Plate	2597120000
13	FPC Supporter	2597130000
14	Screw (2X1.85)	2597140000
15	Thrust Spring	2597181100
16	PU Spring	2597182000
17	Lead Screw	2597201000
18	Mecha Chassis	2597250000
19	Gear A	2597256000
20	Gear B	2597257000
21	LS Holder	2597258000
22	PU Holder	2597266000