

 **PIONEER**[®]
The Art of Entertainment

*Service
Manual*

ORDER NO.
ARP2762

COMPACT DISC PLAYER

PD-77

HEM, SL

- Refer to the service manual ARP2298 for PD-75/HEM.
- This manual is applicable to PD-77/HEM and SL.

1. CONTRAST OF MISCELLANEOUS PARTS

NOTES:

- Parts marked by "NSP" are generally unavailable because they are not in our Master Spare Parts List.
- The Δ mark found on some component parts indicates the importance of the safety factor of the part. Therefore, when replacing, be sure to use parts of identical designation.
- Parts marked by "⊙" are not always kept in stock. Their delivery time may be longer than usual or they may be unavailable.
- When ordering resistors, first convert resistance values into code form as shown in the following examples.

Ex.1 When there are 2 effective digits (any digit apart from 0), such as 560 ohm and 47k ohm (tolerance is shown by J=5%, and K=10%).

560 Ω	$\rightarrow 56 \times 10^1 \rightarrow 561$	RD1/8PM	$\boxed{5}\boxed{6}\boxed{1}$	J
47k Ω	$\rightarrow 47 \times 10^3 \rightarrow 473$	RD1/4PS	$\boxed{4}\boxed{7}\boxed{3}$	J
0.5 Ω	$\rightarrow 0R5$	RN2H	$\boxed{0}\boxed{R}\boxed{5}$	K
1 Ω	$\rightarrow 010$	RS1P	$\boxed{0}\boxed{1}\boxed{0}$	K

Ex.2 When there are 3 effective digits (such as in high precision metal film resistors).

5.62k Ω	$\rightarrow 562 \times 10^1 \rightarrow 5621$	RN1/4PC	$\boxed{5}\boxed{6}\boxed{2}\boxed{1}$	F
----------------	--	---------	--	---

PD-77/HEM, SL and PD-75/HEM have the same construction except for the following:

Mark	Symbol & Description	Part No.			Remarks
		PD-75/HEM	PD-77/HEM	PD-77/SL	
⊙	MAIN BOARD assembly	PWZ1994	No.1
	MAIN BOARD assembly	PWZ2631	PWZ2631	
NSP	PRIMARY BOARD assembly	PWZ1988	
	PRIMARY BOARD assembly	PWZ1989	PWZ1989	
⊙	ANALOG BOARD assembly	PWM1364	
	ANALOG BOARD assembly	PWM1804	PWM1804	
Δ	Power transformer (T1 : 17VA)	PTT1163	PTT1163	PTT1164	
	Power transformer (T2 : 8VA)	PTT1167	PTT1167	PTT1168	
	Voltage selector (AC110/120 - 127/220/240V)	PSB1002	
NSP	Digital button	PAC1530	PAC1649	PAC1649	
	Power button	PAC1539	PAC1650	PAC1650	
	Function button	PAC1609	PAC1619	PAC1619	
	Top panel	PAN1123	
	Front panel	PAN1219	
	Front panel	PAN1270	PAN1270	
	Front panel assembly	PEA1178	
	Side sash	PAN1220	
	SH screw	PBA1033	
	Screw	PBA1038	
Bonnet		PYY1071	PEA1123	PEA1123	
	Side rubber	PEB1239	PEB1239	
Side spacer		PEB1240	PEB1240	
	Side board (L)	PMM1039	
Side board (R)	PMM1040		
Side sheet A	PNM1222	PNM1222		
Wood collar	PNW1238		
Function panel		PNW2065	PNW2252	PNW2252	
	Panel stabilizer	PNW2253	PNW2253	
Tray plate assembly	PXA1395	PXA1486	PXA1486		
Collar	RAT1002	RAT1002		
Screw	VBA1027	VBA1027		

Mark	Symbol & Description	Part No.			Remarks
		PD-75/HEM	PD-77/HEM	PD-77/SL	
NSP	Name plate	AAM1001	No.8
	Badge	RAN1011	RAN1011	
	Cushion (2)	PEB1251	PEB1251	
	Wood spacer	PEC1001	
NSP	Spacer	PNM1145	
NSP	Rear base	PNA1542	PNA1917	PNA1916	No.9
NSP	Rapping cover	REB1069	
NSP	Lens holder	PEB1200	PEB1200	No.10
NSP	Spacer	PNM1135	PNM1135	No.11
NSP	Shield plate	PNM1228	PNM1228	No.12
	CD packing case	PHG1733	PHG1870	PHG1870	
	Protector (F)	PHA1171	PHA1226	PHA1226	
	Protector (R)	PHA1172	PHA1227	PHA1227	
	Remote control unit	PWW1057	PWW1056	PWW1056	
	Operating instructions (English/French)	PRE1149	PRE1172	PRE1172	
	Operating instructions (German/Italian/ Dutch/Swedish/Spanish/Portuguese)	PRF1048	PRF1060	

Note: Refer to the exploded views for the remarks No.1 to No.12.

MAIN BOARD ASSEMBLY

PWZ2631 and PWZ1994 have the same construction except for the following:

Mark	Symbol & Description	Part No.		Remarks
		PWZ1994	PWZ2631	
	L3	LRA010K	LFA010K	
	L701, L702	LAUR22K	LAU010K	
	C70 - C73	CFTXA103J50	
	C115	CKCYF103Z50	CCCCH101J50	
	C164	CKCYF103Z50	
	C704	CCCSL100D50	
	R125	RD1/6PM473J	
	C199	CKDYF103Z50	

PRIMARY BOARD ASSEMBLY

PWZ1989 and PWZ1988 have the same construction except for the following:

Mark	Symbol & Description	Part No.		Remarks
		PWZ1988	PWZ1989	
	L311	PTL1002	
	C311	VCG - 048	RCG - 009	
	C312, C313	VCG - 048	

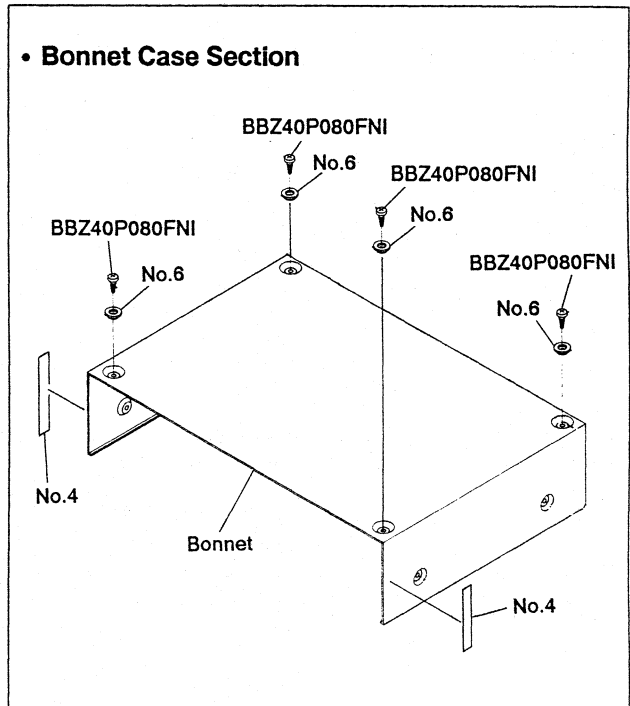
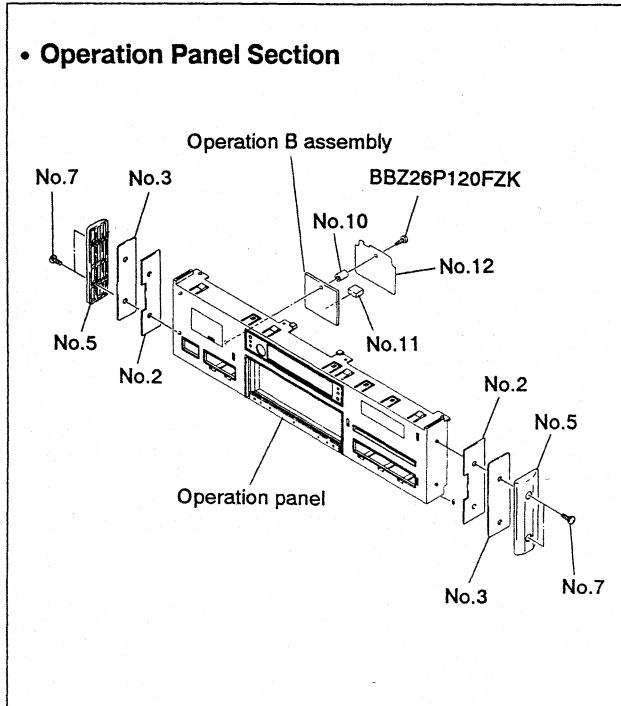
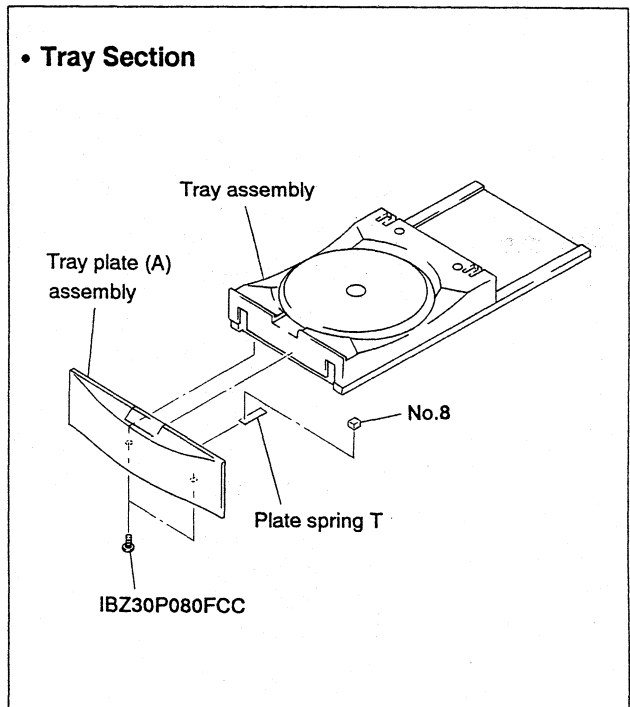
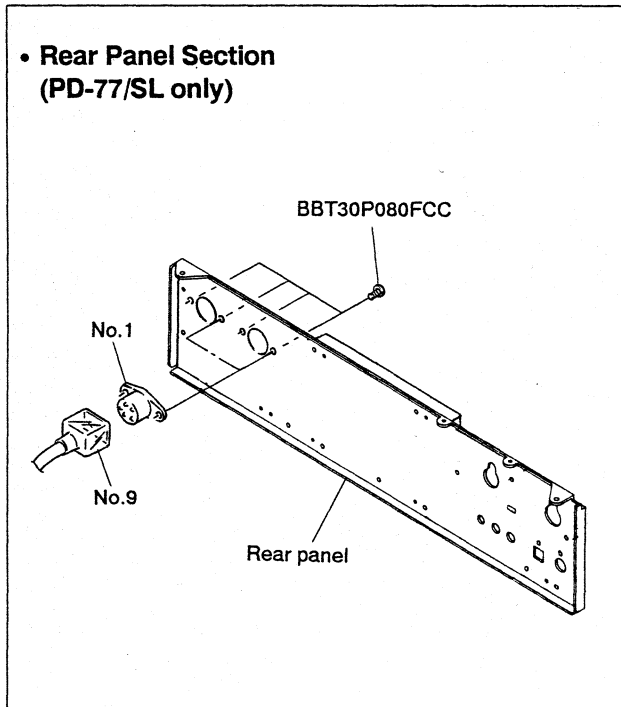
PCB PARTS LIST

Mark	No.	Description	Part No.
ANALOG BOARD ASSEMBLY			
SEMICONDUCTORS			
△	IC620, IC621	ICP-N15	
	IC554, IC555, IC615	NJM5532DD	
	IC501, IC502	NJM7805FA	
	IC513	PD0116A	
	IC522, IC523	PD2028B	
	IC512	TC74HCU04AP	
	Q625	2SA933S	
	Q621, Q623	2SB715	
△	Q617, Q622	2SB857	
	Q626	2SC1740S	
	Q554-Q557, Q562, Q563	2SC3068	
△	Q619, Q624	2SD1133	
	Q618, Q620	2SD755	
	Q559, Q560	2SJ104	
	Q558, Q561	2SK364	
	Q522, Q523	DTA124ES	
	Q521, Q524, Q525	DTC124ES	
△	D610-D613, D620-D627	10DF2FA9	
	D521, D550, D551, D570, D571	1SS292	
△	D628-D631	HZ5CLL	
COILS			
	L511, L512, L522, L523, L525-L527	LAU010K	
	L513, L514, L564	PTH1006	
	L551-L554	VTH1013	
CAPACITORS			
	C517, C518, C538, C539	CCCCH120J50	
	C540, C541	CCDCH101J50	
	C505	CENA101M25	
	C516, C519, C524, C528, C532, C535,	CENA102M16	
	C556, C557, C576, C577, C589, C593,		
	C594, C597		
	C606, C607	CENA102M35	
	C520	CEAS331M50	
	C602, C603, C620, C621	CENA470M50	
	C600, C601	CENA471M16	
	C568-C571	CENA471M50	
	C574, C575	CFTXA102J50	
	C503, C504, C508, C511, C512, C515,	CFTXA103J50	
	C578, C579, C584, C585, C599,		
	C608-C618, C624, C625		
	C501, C502, C506, C507, C526, C534,	CFTXA104J50	
	C554, C555, C558, C559, C581, C590,		
	C595		
	C510, C514, C521, C546, C547, C586	CFTXA473J50	
	C566, C567	CFTXA562J50	
	C564, C565	CFTXA681J50	
	C522, C530, C531, C591	CFTXA682J50	
	C582, C583	CFTXA683J50	
	C542, C543, C550, C551	CMA181J500	
	C544, C545, C552, C553	CMA330J500	
	C560-C563	CMA470J500	

- NOTE FOR SCHEMATIC DIAGRAMS**
(Type 4)
- When ordering service parts, be sure to refer to "PARTS LIST of EXPLODED VIEWS" or "PCB PARTS LIST".
 - Since these are basic circuits, some parts of them or the values of some components may be changed for improvement.
 - RESISTORS:**
Unit: k Ω , M Ω , or Ω unless otherwise noted.
Rated power: 1/4W, 1/6W, 1/8W, 1/10W unless otherwise noted.
Tolerance: (F): $\pm 1\%$, (G): $\pm 2\%$, (K): $\pm 10\%$, (M): $\pm 20\%$ or $\pm 5\%$ unless otherwise noted.
 - CAPACITORS:**
Unit: pF or μF unless otherwise noted.
Rated voltage: 50V except for electrolytic capacitors.
Ratings: capacitor (μF) / voltage (V) unless otherwise noted.
 - COILS:**
Unit: m: mH or μH unless otherwise noted.
 - VOLTAGE AND CURRENT:**
□ : DC voltage (V) in PLAY mode unless otherwise noted.
◁ mA or - mA : DC current in PLAY mode unless otherwise noted.
Value in () is DC current in STOP mode.
 - OTHERS:**
● : Signal route.
⊙ : Adjusting point.
▲ (Red) : Measurement point.
● (The Δ mark found on some component parts indicates the importance of the safety factor of the parts. Therefore, when replacing, be sure to use parts of identical designation.)

- SWITCHES** (Underline indicates switch position):
S401 : TRACK SEARCH
S402 : PAUSE (II)
S403 : PLAY (▶)
S404 : OPEN/CLOSE (▲)
S405 : STOP (■)
OPERATION A BOARD ASSEMBLY
S401 : TRACK SEARCH
S402 : PAUSE (II)
S403 : PLAY (▶)
S404 : OPEN/CLOSE (▲)
S405 : STOP (■)
OPERATION B BOARD ASSEMBLY
S407 : DISPLAY OFF
S408 : OUTPUT
- SCH-□ ON THE SCHEMATIC DIAGRAM:**
● SCH-□ indicates the drawing number of the schematic diagram. (SCH stands for schematic diagram.)

● EXPLODED VIEWS



Part No.	Mark No.	Description	Part No.
	C527, C529		CQMA473J50
	C587, C588 (C=220, V(AC)=35)		PCH1099
	C604, C605 (C=2200, V(AC)=35)		PCH1102
	C523 (C=0.01, V(DC)=50)		PCL1029
	C572, C573 (C=22, V(DC)=50)		VCH1091
	RESISTORS		
	R502, R512-R514		RDM1/4PM471J
	R571, R574		RDM1/2P105J
	R579, R581		RDM1/2P122J
	R576, R577 (1.6K)		RDM1/2P162J
	R570, R573 (220 Ω)		RDM1/2P221J
	R582, R583		RDM1/2P223J
	R578, R580		RDM1/2P242J
	R588, R589		RDM1/2P101J
	R584, R585 (180 Ω)		RDM1/2P181J
	R590, R591		RDM1/2P511J
	R568, R569 (750 Ω)		RDM1/2P751J
	R651-R654 (4.7 Ω)		RDR1/2PM4R7J
	R645, R646 (1.3k Ω)		RDR1/4PM132J
	R544, R545, R550, R551, R556-R559 (15K)		RDR1/4PM153J
	R564-R567 (18K)		RDR1/4PM183J
	R529 (22K)		RDR1/4PM223J
	R528, R530 (47K)		RDR1/4PM473J
	R659, R660 (5.1K)		RDR1/4PM512J
	R540-R543, R552-R555, R655, R656 (7.5K)		RDR1/4PM752J
	R546-R549, R560-R563 (8.2K)		RDR1/4PM822J
	R657, R658 (9.1K)		RDR1/4PM912J
	R647, R648		RNI/4PQ3001F
	R649, R650		RNI/4PQ4301F
	R505, R522, R524 (10K)		RS1LMF103J
	OTHER RESISTORS		RD1/6PM□□□J
	OTHERS		
	CN501 CONNECTOR (10P)		KPC10
	X512 CRYSTAL RESONATOR(16.9344MHz)		PSS1011
	JA551 PIN JACK (1P)		RKB1010
	JA552 PIN JACK (1P)		RKB1011
	SCREW		IBZ30P100FCC

2. SCHEMATIC AND PCB DIAGRAMS

1. MAIN, PICK UP, OPERATION A, OPERATION B AND PRIMARY BOARD ASSEMBLIES

A

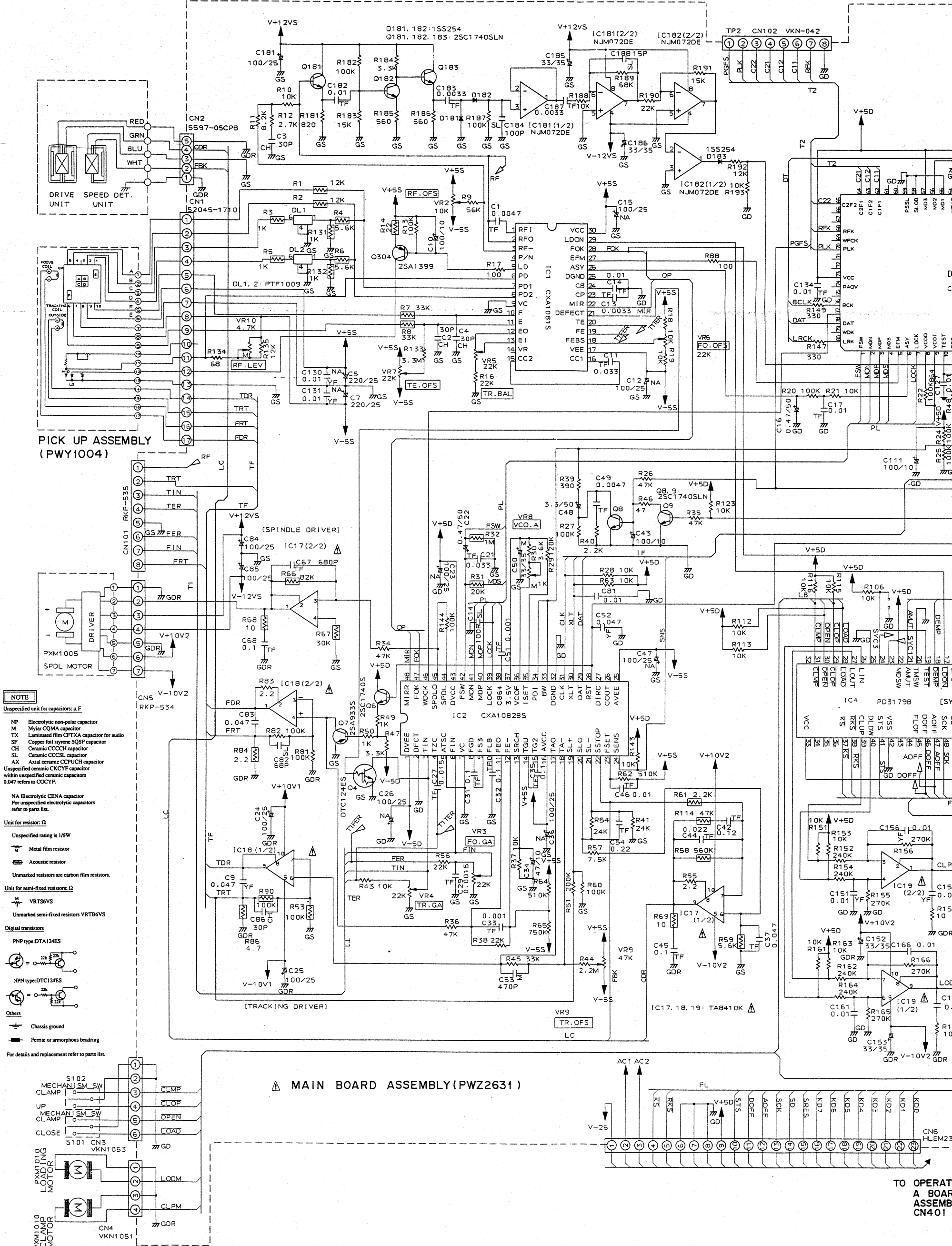
B

C

D

E

F



NOTE
 Unspecified unit for capacitors: μF

- NP Electrolytic non-polar capacitor
- M Mylar CQMA capacitor
- TX Laminated film CFTXA capacitor for audio
- SF Copper foil Mylar 9QSP capacitor
- CH Ceramic CCCCII capacitor
- SL Ceramic CPCSII capacitor
- AX Axial ceramic CCPUCH capacitor
- Unspecified ceramic CKCYF capacitor within unspecified ceramic capacitors 0.047 refers to CQCYF.

NA Electrolytic CENA capacitor
 For unspecified electrolytic capacitors refer to parts list.

Unit for resistor: Ω
 Unspecified rating is 1/6W

- Metal film resistor
- Acoustic resistor

Unmarked resistors are carbon film resistors.

Unit for semi-fixed resistors: Ω
 VRT36VS
 Unmarked semi-fixed resistors VRTB6VS

Digital transistors
 PNP type: DTA124ES
 NPN type: DTC124ES

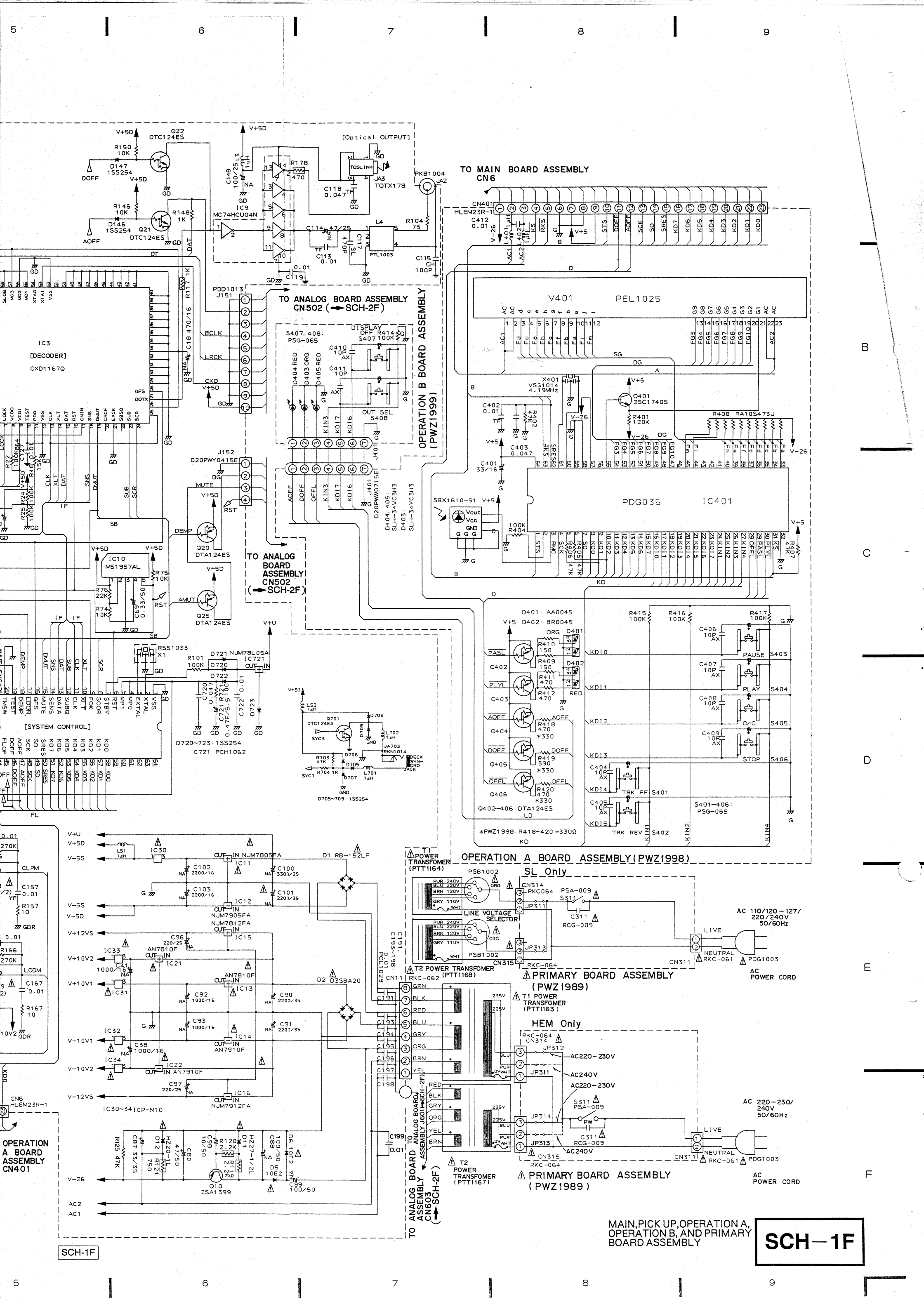
Others
 Chassis ground
 Ferrite or amorphous beading

For details and replacement refer to parts list.

SCH-1F

MAIN, PICK UP, OPERATION A, OPERATION B, AND PRIMARY BOARD ASSEMBLY

TO OPERATE BOARD ASSEMBLY CN401



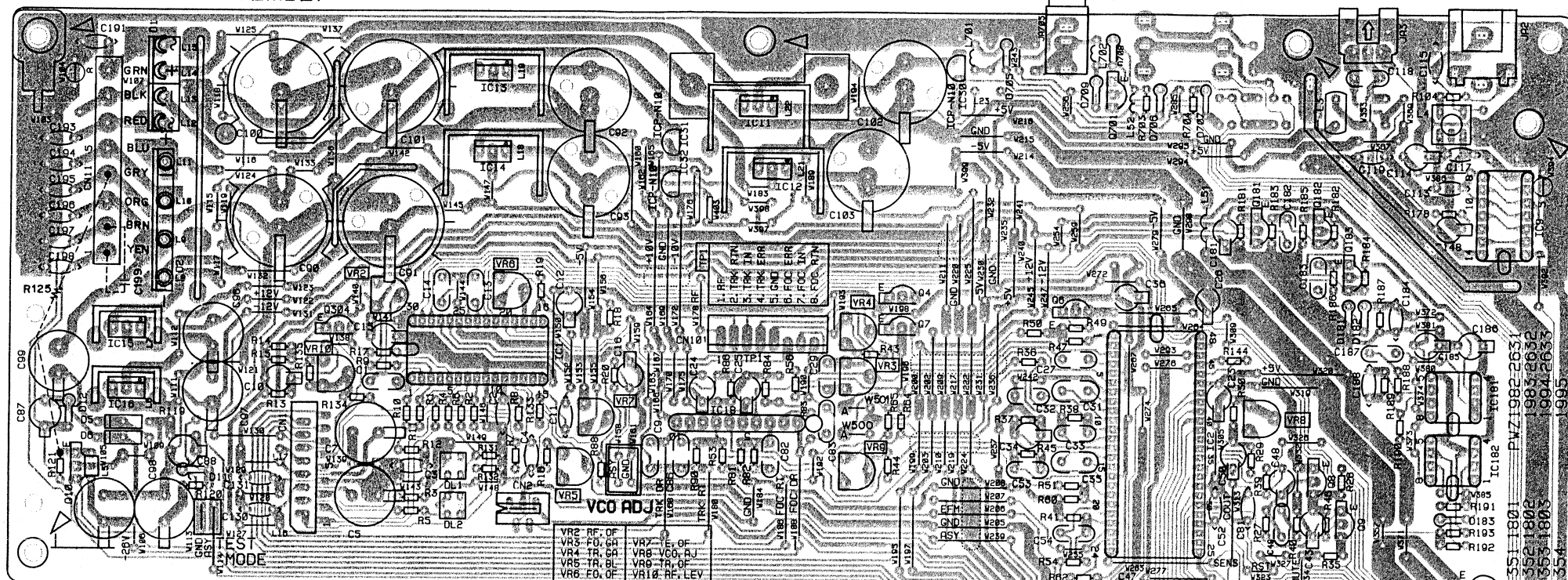
SCH-1F

SCH-1F

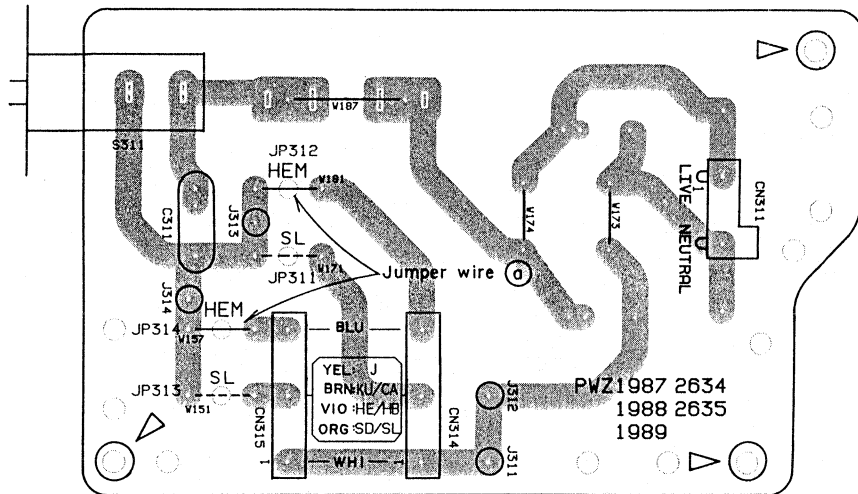
MAIN, PICK UP, OPERATION A, OPERATION B, AND PRIMARY BOARD ASSEMBLY

• View from component side

MAIN BOARD ASSEMBLY



PRIMARY BOARD ASSEMBLY



Line Voltage Selection

- Line voltage can be changed with the follows:
1. Disconnect the AC power cord.
 2. Remove the Top cover.
 3. Change the position of the jumper wire @ as follows.

Voltage	Jumper wire @ position
220V	JP312, JP314
240V	JP311, JP313

4. Stick the line voltage label on the rear panel.

Part No.	Description
AAX-193	220V label
AAX-192	240V label

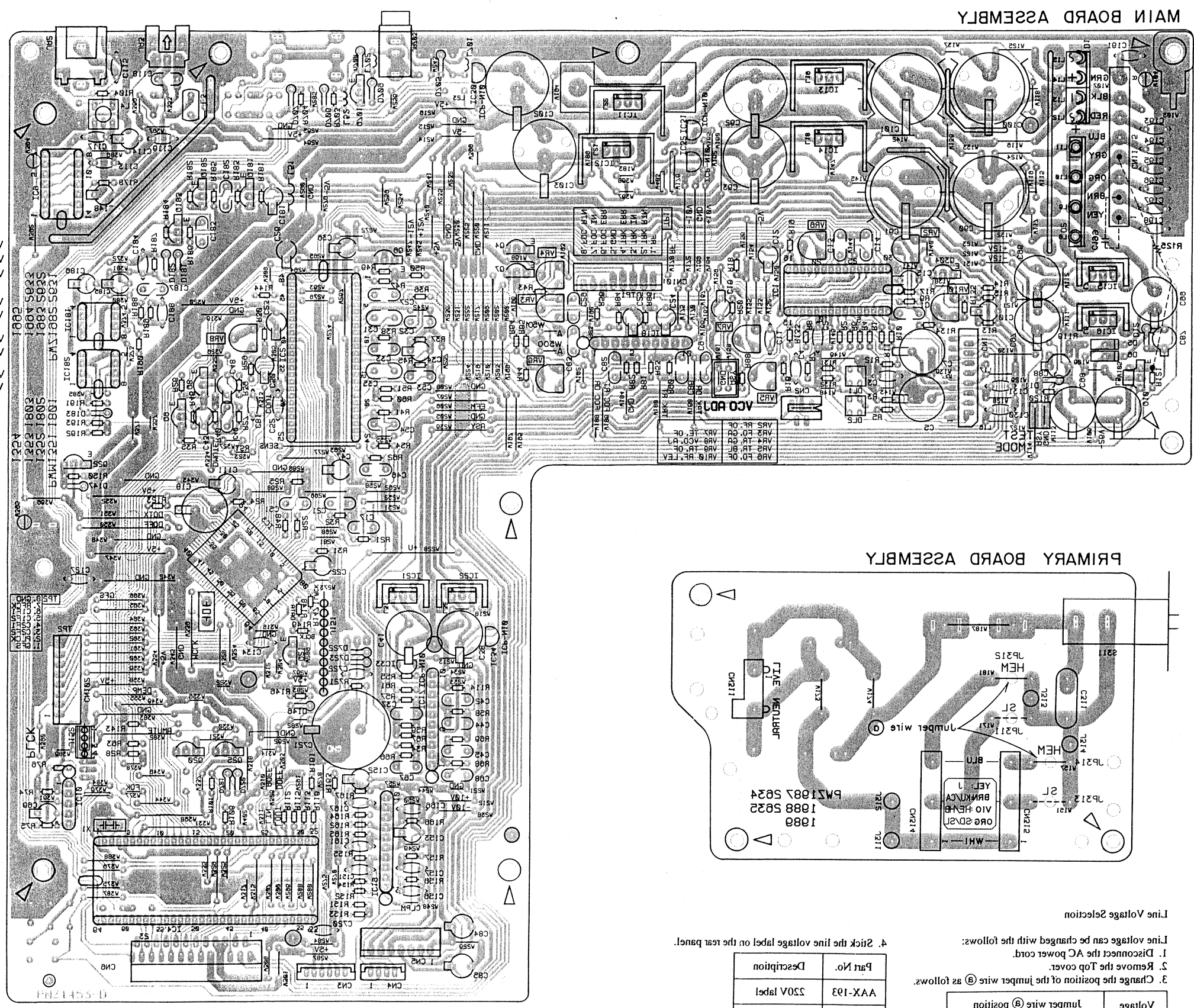
P.C.B. pattern diagram indication	Corresponding part symbol	Part name
		Transistor
		FET
		Diode
		Zener diode
		LED
		Varactor
		Tact switch
		Inductor
		Coil
		Transformer
		Filter
		Ceramic capacitor
		Mylar capacitor
		Styrol capacitor
		Electrolytic capacitor (Non polarized)
		Electrolytic capacitor (Noiseless)
		Electrolytic capacitor (Polarized)
		Electrolytic capacitor (Polarized)
		Power capacitor
		Semi-fixed resistor
		Resistor array
		Resistor
		Resonator
		Thermistor

1. This P.C.B. connection diagram is viewed from the parts mounted side.
2. The parts which have been mounted on the board can be replaced with those shown with the corresponding wiring symbols listed in the above Table.
3. The capacitor terminal marked with shows negative terminal.
4. The diode marked with shows cathode side.
5. The transistor terminal marked with shows emitter.

IC13	IC30	A
IC11	Q701	
IC31		
IC14		
IC32	IC12	
Q181	IC9	
Q182		
	Q183	
VR2	Q4	
VR6	Q7	
VR4	Q304	
	IC15	
VR10	IC1	
VR3	IC16	IC181
VR7	IC18	IC182
VR8	IC2	
VR5	Q10	Q8
VR9		Q9
		Q22
IC3		
IC22		
IC21		
IC34		
IC33	Q21	
IC17		
Q25	Q20	
IC10		
IC19		
IC4		

PNP1186-F

• View from soldering side



IC13 IC30
IC11 Q201
IC31
IC14
IC15
IC35
IC9
Q185
Q183
Q4
Q6
VR5
VR6
VR4 Q304
IC12
VR10
VR3
IC16 IC181
VR1
VR8
VR7
VR5
VR2
Q10
Q8
Q9
QSS
IC3
IC31
IC35
IC34
IC33 Q51
IC15
Q52
IC10
IC18
IC4
IC4
C18
C19
C20
C21
C22
C23
C24
C25
C26
C27
C28
C29
C30
C31
C32
C33
C34
C35
C36
C37
C38
C39
C40
C41
C42
C43
C44
C45
C46
C47
C48
C49
C50
C51
C52
C53
C54
C55
C56
C57
C58
C59
C60
C61
C62
C63
C64
C65
C66
C67
C68
C69
C70
C71
C72
C73
C74
C75
C76
C77
C78
C79
C80
C81
C82
C83
C84
C85
C86
C87
C88
C89
C90
C91
C92
C93
C94
C95
C96
C97
C98
C99
C100
C101
C102
C103
C104
C105
C106
C107
C108
C109
C110
C111
C112
C113
C114
C115
C116
C117
C118
C119
C120
C121
C122
C123
C124
C125
C126
C127
C128
C129
C130
C131
C132
C133
C134
C135
C136
C137
C138
C139
C140
C141
C142
C143
C144
C145
C146
C147
C148
C149
C150
C151
C152
C153
C154
C155
C156
C157
C158
C159
C160
C161
C162
C163
C164
C165
C166
C167
C168
C169
C170
C171
C172
C173
C174
C175
C176
C177
C178
C179
C180
C181
C182
C183
C184
C185
C186
C187
C188
C189
C190
C191
C192
C193
C194
C195
C196
C197
C198
C199
C200
C201
C202
C203
C204
C205
C206
C207
C208
C209
C210
C211
C212
C213
C214
C215
C216
C217
C218
C219
C220
C221
C222
C223
C224
C225
C226
C227
C228
C229
C230
C231
C232
C233
C234
C235
C236
C237
C238
C239
C240
C241
C242
C243
C244
C245
C246
C247
C248
C249
C250
C251
C252
C253
C254
C255
C256
C257
C258
C259
C260
C261
C262
C263
C264
C265
C266
C267
C268
C269
C270
C271
C272
C273
C274
C275
C276
C277
C278
C279
C280
C281
C282
C283
C284
C285
C286
C287
C288
C289
C290
C291
C292
C293
C294
C295
C296
C297
C298
C299
C300
C301
C302
C303
C304
C305
C306
C307
C308
C309
C310
C311
C312
C313
C314
C315
C316
C317
C318
C319
C320
C321
C322
C323
C324
C325
C326
C327
C328
C329
C330
C331
C332
C333
C334
C335
C336
C337
C338
C339
C340
C341
C342
C343
C344
C345
C346
C347
C348
C349
C350
C351
C352
C353
C354
C355
C356
C357
C358
C359
C360
C361
C362
C363
C364
C365
C366
C367
C368
C369
C370
C371
C372
C373
C374
C375
C376
C377
C378
C379
C380
C381
C382
C383
C384
C385
C386
C387
C388
C389
C390
C391
C392
C393
C394
C395
C396
C397
C398
C399
C400
C401
C402
C403
C404
C405
C406
C407
C408
C409
C410
C411
C412
C413
C414
C415
C416
C417
C418
C419
C420
C421
C422
C423
C424
C425
C426
C427
C428
C429
C430
C431
C432
C433
C434
C435
C436
C437
C438
C439
C440
C441
C442
C443
C444
C445
C446
C447
C448
C449
C450
C451
C452
C453
C454
C455
C456
C457
C458
C459
C460
C461
C462
C463
C464
C465
C466
C467
C468
C469
C470
C471
C472
C473
C474
C475
C476
C477
C478
C479
C480
C481
C482
C483
C484
C485
C486
C487
C488
C489
C490
C491
C492
C493
C494
C495
C496
C497
C498
C499
C500
C501
C502
C503
C504
C505
C506
C507
C508
C509
C510
C511
C512
C513
C514
C515
C516
C517
C518
C519
C520
C521
C522
C523
C524
C525
C526
C527
C528
C529
C530
C531
C532
C533
C534
C535
C536
C537
C538
C539
C540
C541
C542
C543
C544
C545
C546
C547
C548
C549
C550
C551
C552
C553
C554
C555
C556
C557
C558
C559
C560
C561
C562
C563
C564
C565
C566
C567
C568
C569
C570
C571
C572
C573
C574
C575
C576
C577
C578
C579
C580
C581
C582
C583
C584
C585
C586
C587
C588
C589
C590
C591
C592
C593
C594
C595
C596
C597
C598
C599
C600
C601
C602
C603
C604
C605
C606
C607
C608
C609
C610
C611
C612
C613
C614
C615
C616
C617
C618
C619
C620
C621
C622
C623
C624
C625
C626
C627
C628
C629
C630
C631
C632
C633
C634
C635
C636
C637
C638
C639
C640
C641
C642
C643
C644
C645
C646
C647
C648
C649
C650
C651
C652
C653
C654
C655
C656
C657
C658
C659
C660
C661
C662
C663
C664
C665
C666
C667
C668
C669
C670
C671
C672
C673
C674
C675
C676
C677
C678
C679
C680
C681
C682
C683
C684
C685
C686
C687
C688
C689
C690
C691
C692
C693
C694
C695
C696
C697
C698
C699
C700
C701
C702
C703
C704
C705
C706
C707
C708
C709
C710
C711
C712
C713
C714
C715
C716
C717
C718
C719
C720
C721
C722
C723
C724
C725
C726
C727
C728
C729
C730
C731
C732
C733
C734
C735
C736
C737
C738
C739
C740
C741
C742
C743
C744
C745
C746
C747
C748
C749
C750
C751
C752
C753
C754
C755
C756
C757
C758
C759
C760
C761
C762
C763
C764
C765
C766
C767
C768
C769
C770
C771
C772
C773
C774
C775
C776
C777
C778
C779
C780
C781
C782
C783
C784
C785
C786
C787
C788
C789
C790
C791
C792
C793
C794
C795
C796
C797
C798
C799
C800
C801
C802
C803
C804
C805
C806
C807
C808
C809
C810
C811
C812
C813
C814
C815
C816
C817
C818
C819
C820
C821
C822
C823
C824
C825
C826
C827
C828
C829
C830
C831
C832
C833
C834
C835
C836
C837
C838
C839
C840
C841
C842
C843
C844
C845
C846
C847
C848
C849
C850
C851
C852
C853
C854
C855
C856
C857
C858
C859
C860
C861
C862
C863
C864
C865
C866
C867
C868
C869
C870
C871
C872
C873
C874
C875
C876
C877
C878
C879
C880
C881
C882
C883
C884
C885
C886
C887
C888
C889
C890
C891
C892
C893
C894
C895
C896
C897
C898
C899
C900
C901
C902
C903
C904
C905
C906
C907
C908
C909
C910
C911
C912
C913
C914
C915
C916
C917
C918
C919
C920
C921
C922
C923
C924
C925
C926
C927
C928
C929
C930
C931
C932
C933
C934
C935
C936
C937
C938
C939
C940
C941
C942
C943
C944
C945
C946
C947
C948
C949
C950
C951
C952
C953
C954
C955
C956
C957
C958
C959
C960
C961
C962
C963
C964
C965
C966
C967
C968
C969
C970
C971
C972
C973
C974
C975
C976
C977
C978
C979
C980
C981
C982
C983
C984
C985
C986
C987
C988
C989
C990
C991
C992
C993
C994
C995
C996
C997
C998
C999
C1000

PD-77

Voltage	Jumper wire (B) position
340V	JP211, JP213
320V	JP212, JP214

Part No.	Description
AAX-192	340V label
AAX-193	320V label

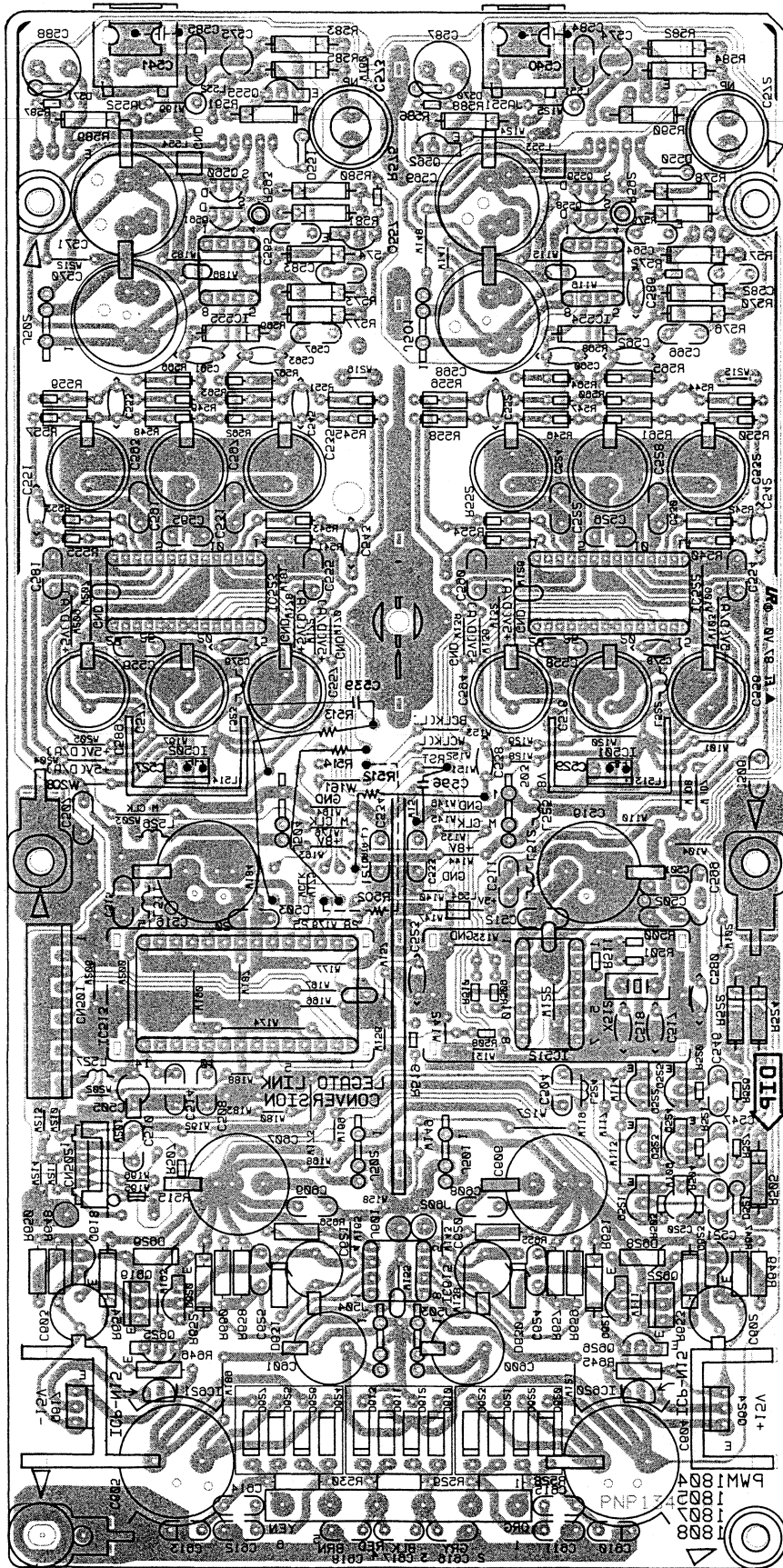
1. Disconnect the AC power cord.
2. Remove the top cover.
3. Change the position of the jumper wire (B) as follows.
4. Stick the line voltage label on the test panel.

Line Voltage Selection

5. ANALOG BOARD ASSEMBLY

• View from soldering side

ANALOG BOARD ASSEMBLY



- 0252
- 0255
- 0258
- 0260
- 0261
- 0262
- 0263
- 0264
- 0265
- 0266
- 0267
- 0268
- 0269
- 0270
- 0271
- 0272
- 0273
- 0274
- 0275
- 0276
- 0277
- 0278
- 0279
- 0280
- 0281
- 0282
- 0283
- 0284
- 0285
- 0286
- 0287
- 0288
- 0289
- 0290
- 0291
- 0292
- 0293
- 0294
- 0295
- 0296
- 0297
- 0298
- 0299
- 0300
- 0301
- 0302
- 0303
- 0304
- 0305
- 0306
- 0307
- 0308
- 0309
- 0310
- 0311
- 0312
- 0313
- 0314
- 0315
- 0316
- 0317
- 0318
- 0319
- 0320
- 0321
- 0322
- 0323
- 0324
- 0325
- 0326
- 0327
- 0328
- 0329
- 0330
- 0331
- 0332
- 0333
- 0334
- 0335
- 0336
- 0337
- 0338
- 0339
- 0340
- 0341
- 0342
- 0343
- 0344
- 0345
- 0346
- 0347
- 0348
- 0349
- 0350
- 0351
- 0352
- 0353
- 0354
- 0355
- 0356
- 0357
- 0358
- 0359
- 0360
- 0361
- 0362
- 0363
- 0364
- 0365
- 0366
- 0367
- 0368
- 0369
- 0370
- 0371
- 0372
- 0373
- 0374
- 0375
- 0376
- 0377
- 0378
- 0379
- 0380
- 0381
- 0382
- 0383
- 0384
- 0385
- 0386
- 0387
- 0388
- 0389
- 0390
- 0391
- 0392
- 0393
- 0394
- 0395
- 0396
- 0397
- 0398
- 0399
- 0400

PNP1341-A

A

B

C

D

3

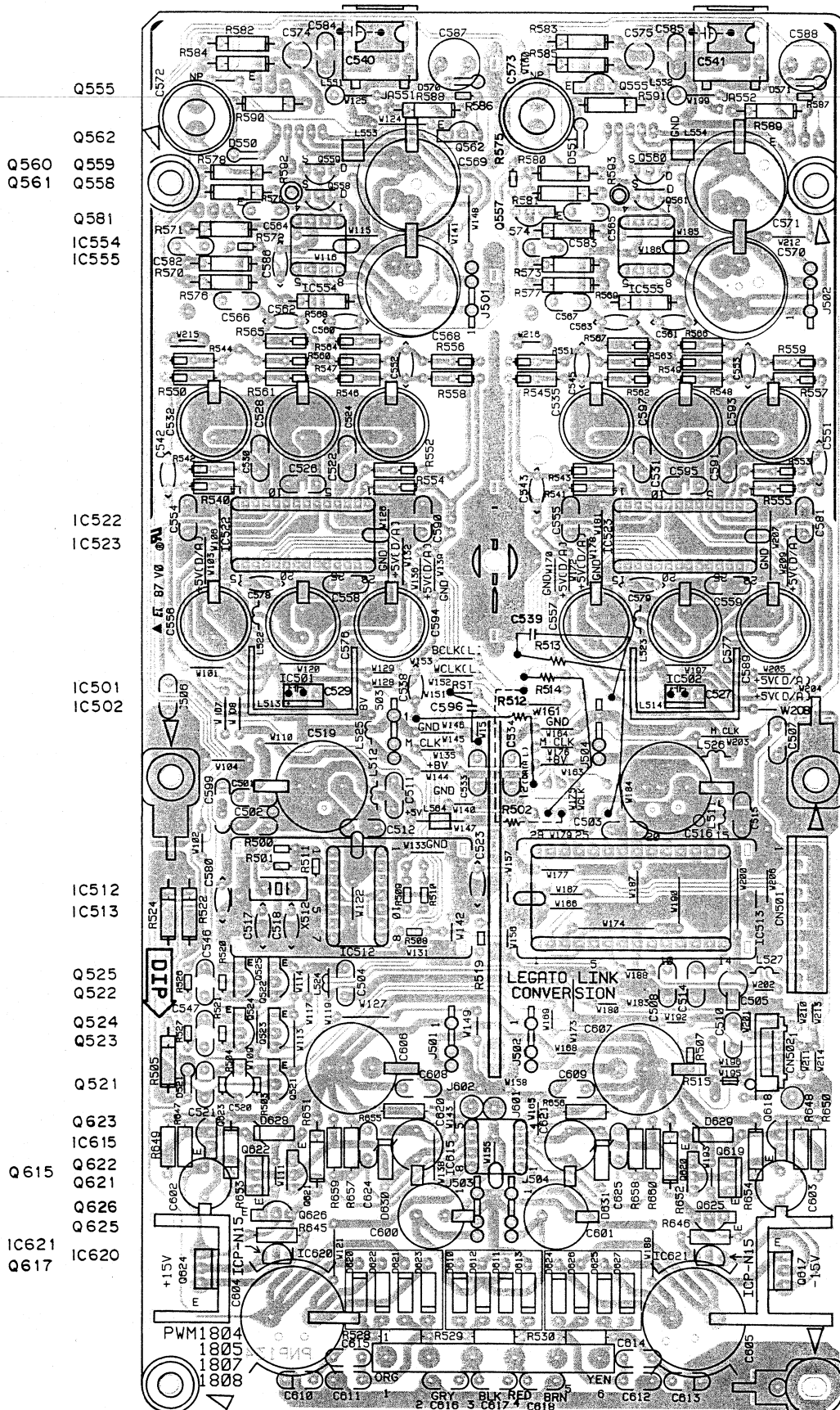
5

13

2. ANALOG BOARD ASSEMBLY

• View from component side

ANALOG BOARD ASSEMBLY



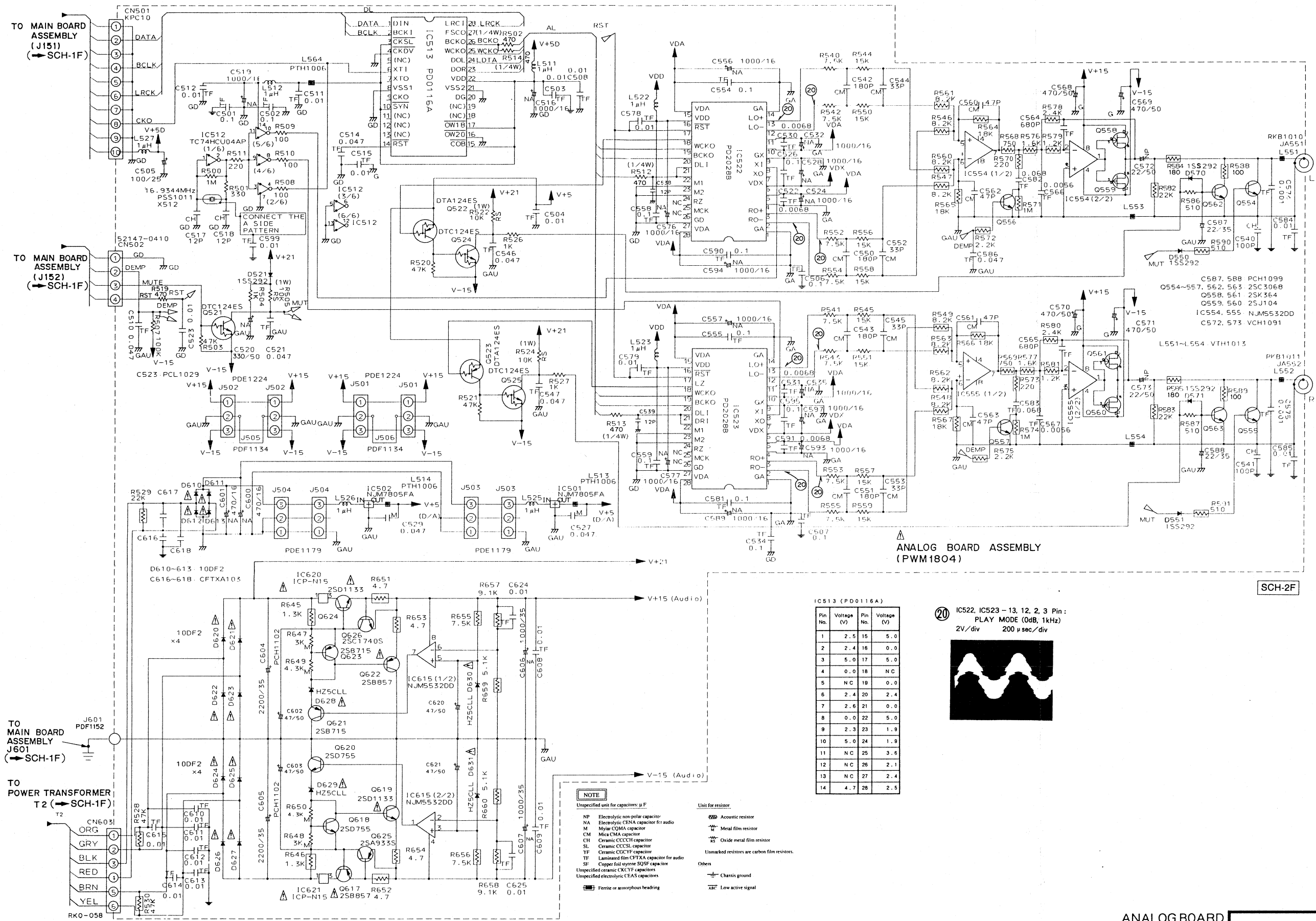
A

B

C

D

PNP1341-A



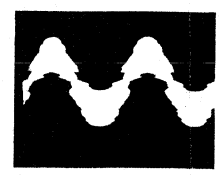
ANALOG BOARD ASSEMBLY (PWM1804)

SCH-2F

IC513 (P0116A)

Pin No.	Voltage (V)	Pin No.	Voltage (V)
1	2.5	15	5.0
2	2.4	16	0.0
3	5.0	17	5.0
4	0.0	18	NC
5	NC	19	0.0
6	2.4	20	2.4
7	2.6	21	0.0
8	0.0	22	5.0
9	2.3	23	1.9
10	5.0	24	1.9
11	NC	25	3.6
12	NC	26	2.1
13	NC	27	2.4
14	4.7	28	2.5

IC522, IC523 - 13, 12, 2, 3 Pin:
PLAY MODE (0dB, 1kHz)
2V/div 200 μsec/div



- NOTE**
- Unspecified units for capacitors: μF
 - NP Electrolytic non-polar capacitor
 - NA Electrolytic CERA capacitor for audio
 - M Mylar CQMA capacitor
 - CM Mica CMA capacitor
 - CH Ceramic CCCC capacitor
 - SL Ceramic CCCC capacitor
 - YF Ceramic CCCC capacitor
 - TF Laminated film CFXA capacitor for audio
 - SF Copper foil styrene SQSF capacitor
 - Unspecified ceramic CCCC capacitors
 - Unspecified electrolytic CEAS capacitors
 - Teristic or anamorphic heading
 - Unit for resistor:
 - Acoustic resistor
 - Metal film resistor
 - Oxide metal film resistor
 - Unmarked resistors are carbon film resistors.
 - Others:
 - Chassis ground
 - Low active signal

SCH-2F

ANALOG BOARD ASSEMBLY SCH-2F