

2. ASSEMBLING PROCEDURE OF EACH SECTION OF MULTI MECHANISM

2.1 TOP GUIDE ASSEMBLY

- Install the eject lever while pressing it in the direction of arrow A after matching the notch section of the eject lever with the protrusion of the top guide.
- Install the select board assembly after pressing the switch lever in the direction of arrow B and the seven bar in the direction of arrow C.

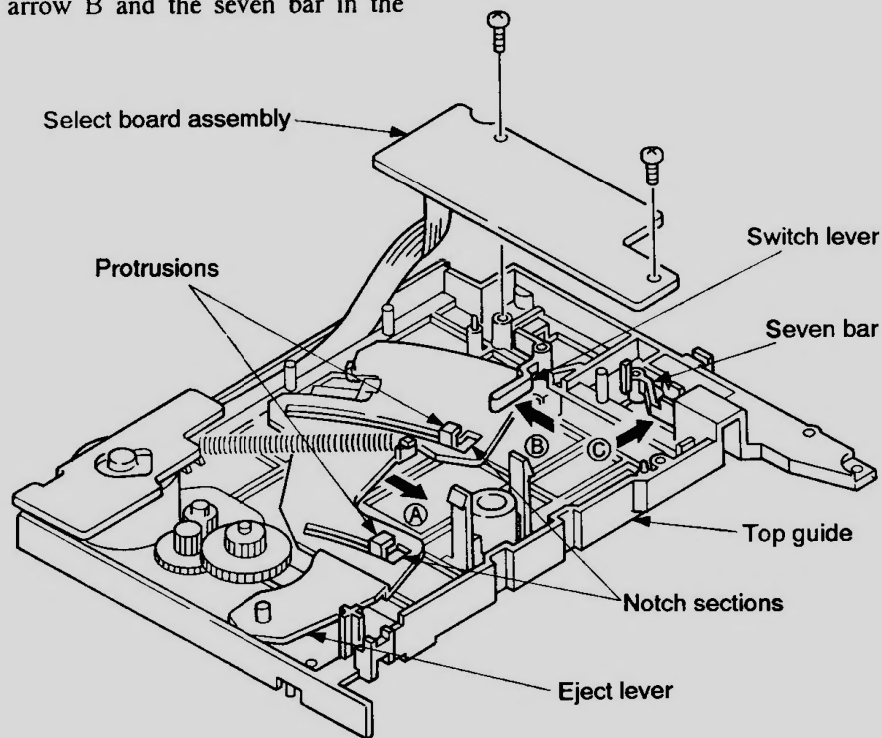


Fig. 2-1

- Install the top guide assembly on the main chassis while pressing the lock lever in the direction of arrow D.

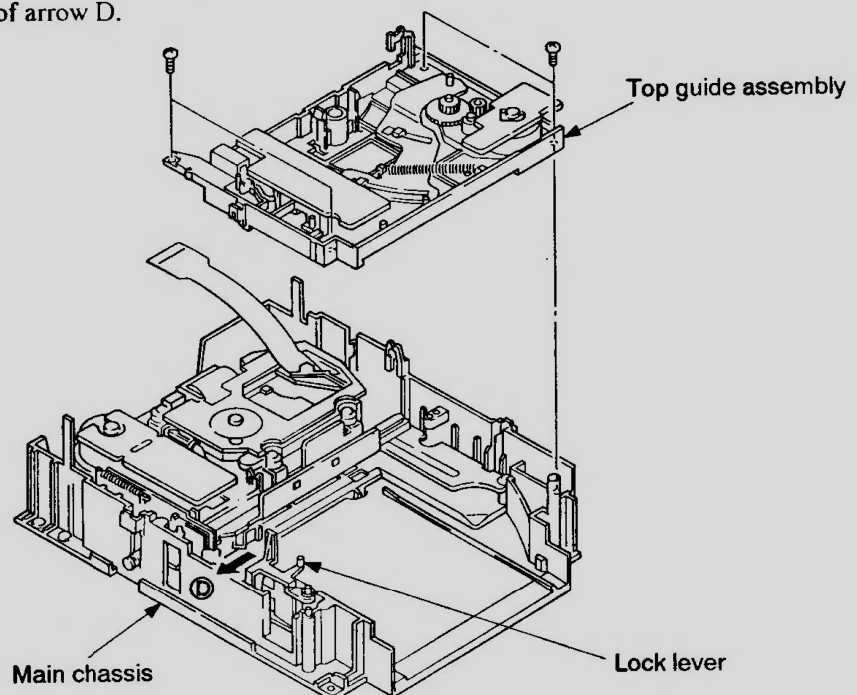


Fig. 2-2

2.2 ASSEMBLING PROCEDURE OF SUB-CHASSIS ASSEMBLY

- Install the rotary lever assembly while matching the groove of the rotary lever assembly with the pin of the drive board.
- Install the gear holder assembly while matching the pin of the cam gear with the drive board after mounting the drive board on the upper chassis and pressing it fully in the direction of arrow A.

- After mounting the gear holder assembly on the upper chassis while hanging the holder lever spring on the hook of gear holder first, then hang again one of the holder lever spring. (See notes in the figure.)
- Install the sub-chassis on the upper chassis after pressing the pin of clamber cam fully in the direction of arrow B so that the pin of clamber cam matches with the circumference groove of the cam gear.

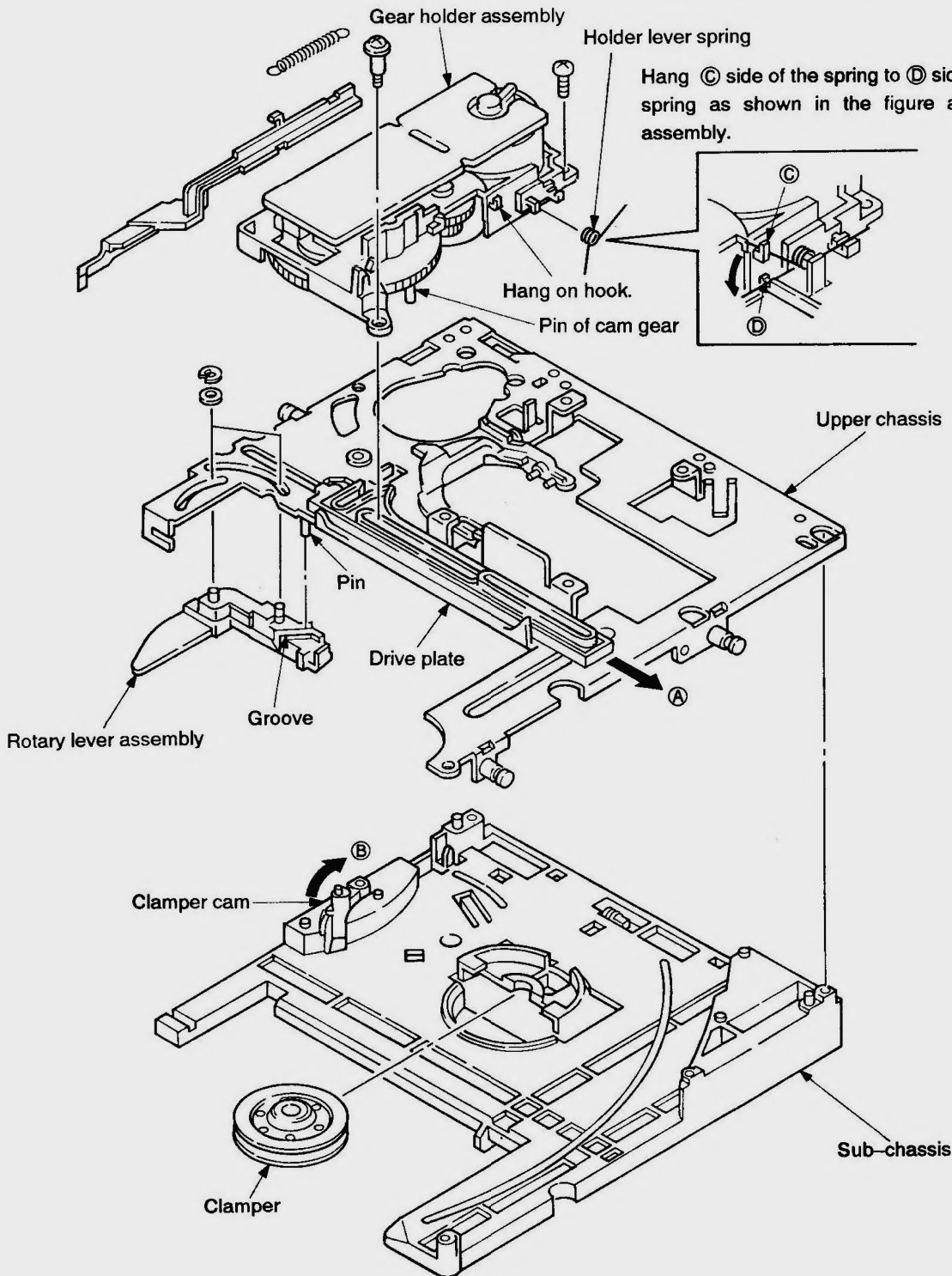
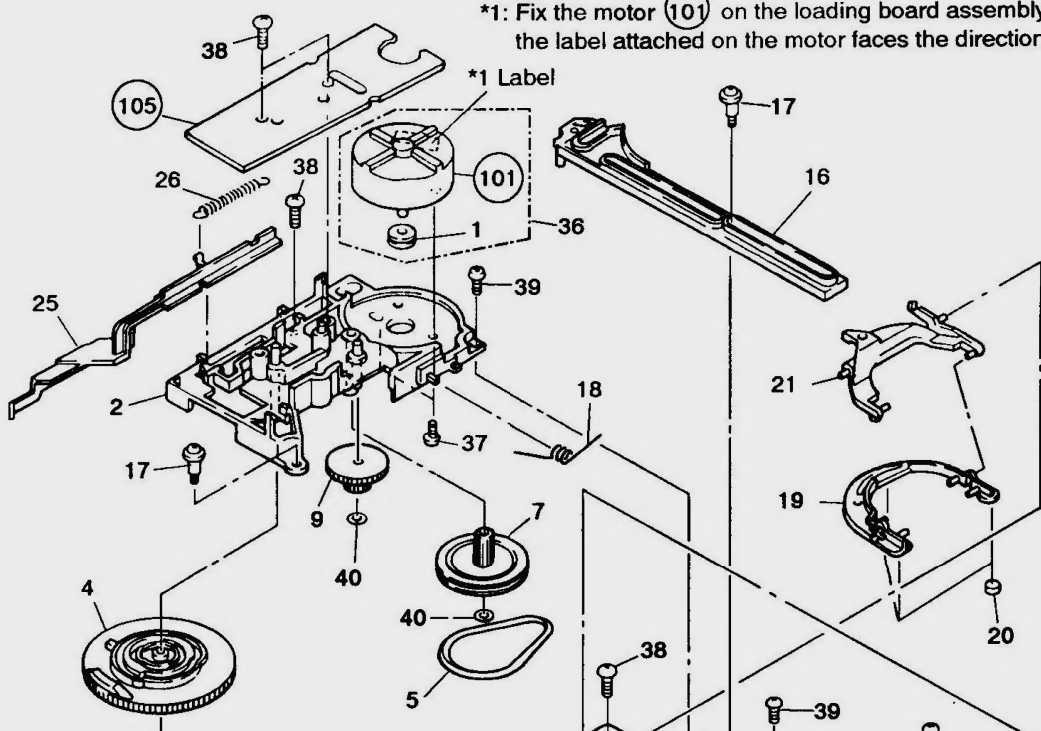


Fig. 2-3

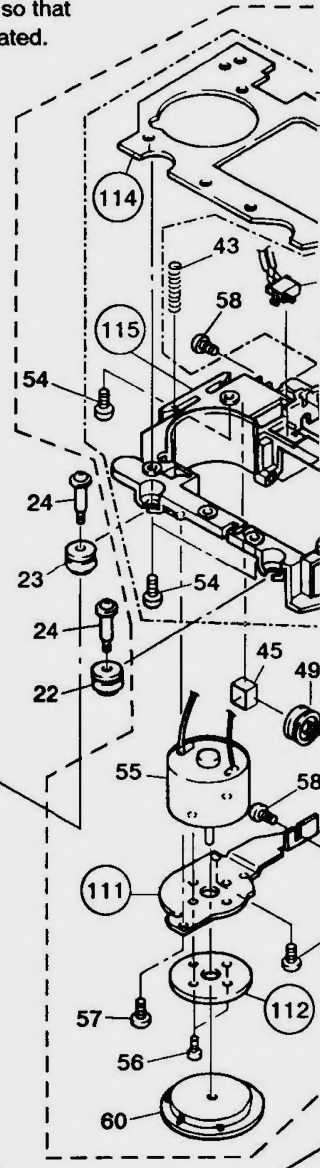
Multi Mechanism Assembly

*1: Fix the motor (101) on the loading board assembly (105) so that the label attached on the motor faces the direction illustrated.

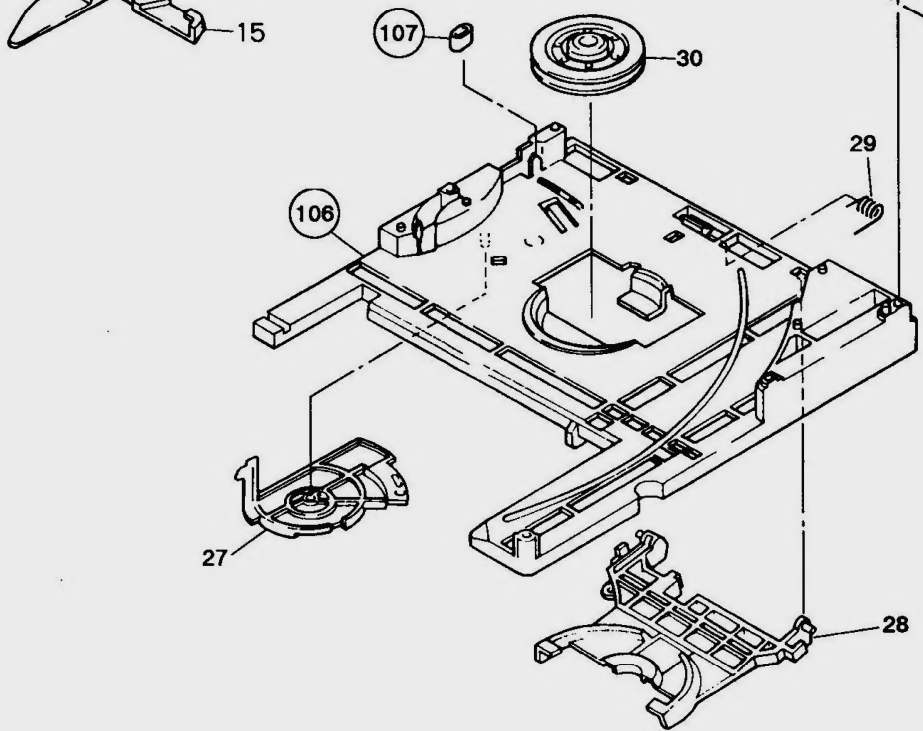
A



B



C



D

3.2 MULTI MECHANISM ASSEMBLY

Parts List

Mark	No.	Description	Part No.	Mark	No.	Description	Part No.
	1	Motor pulley	PNW1634		46	Belt	PEB1072
	2	Gear holder	PNW1929		47	Drive screw	PLA1003
	3	Semi-fixed resistor (VR1)	PCP1008		48	Guide bar	PLA1071
	4	Cam gear	PNW1923		49	Pulley	PNW1066
	5	Belt	PEB1138		50	Half nut	PNW1605
	6	Top guide	PNW2061		51	• • • • •	
	7	Gear pulley	PNW1918		52	Push switch (INSIDE)	DSG1014
	8	Gear S	PNW1919		53	D.C.motor (CARRIAGE)	PXM1013
	9	Gear L	PNW1920		54	Screw	PBZ30P080FMC
	10	Eject spring	PBH1145		55	D.C.motor assembly (with oil)(SPINDLE)	PEA1028
	11	Switch lever	PNW1927		56	Screw	JFZ20P040FMC
	12	Seven bar	PNW1931		57	Screw	BPZ20P080FZK
	13	Sub rotary lever	PNW1933		58	Screw	PMZ20P030FMC
	14	Sub rotary lever spring	PBH1111		59	Pickup assembly	PEA1030
	15	Rotary lever	PNW1932		60	Disc table assembly	PEA1035
	16	Drive plate	PNW1930		61	Screw	IPZ30P080FMC
	17	Motor screw	PBA - 112		62	Rubber spacer	PEB1178
	18	Holder lever spring	PBH1110		63	Rubber spacer	PEB1179
	19	Disc holder	PNW1924		64	Silent ring	PBK1093
	20	Cushion A	PED1001		65	Washer	WA62D130D025
	21	Holder lever	PNW1925		66	Damper assembly	VXA1053
	22	Float rubber	PEB1014		67	Screw	IPZ20P080FMC
	23	Float rubber	PEB1132		101	Motor	VXM1033
	24	Float screw	PBA1055		102	Eject lever	PNB1306
	25	Release lever	PNW1934		103	Upper chassis	PNB1267
	26	Release spring	PBH1106		104	Servo mechanism assembly M	PXA1364
	27	Clamper cam	PNW1922		105	Loading board assembly	PWZ2038
	28	Clamper holder	PNW1921		106	Sub chassis	PNW2073
	29	Clamper spring	PBH1109		107	Rubber tube	PEB1171
	30	Clamper	PNW1857		108	Main chassis	PNW2074
	31	Lock lever	PNW1917		109	Select board assembly	PWZ2039
	32	Lock spring	PBH1108		110	Motor board assembly	PWZ2040
	33	Stair L	PNW1915		111	Motor base	PNB1211
	34	Stair R	PNW1916		112	Yoke M	PNB1227
	35	Synchronize lever	PNW1926		113	Mechanism base assembly T	PXA1294
	36	Motor assembly (LOADING, DISC SELECT)	PEA1130		114	Mechanism base	PNB1230
	37	Screw	PMZ26P040FMC		115	Mechanism chassis	PNW1604
	38	Screw	PPZ30P080FMC				
	39	Screw	BBZ30P060FMC				
	40	Washer	WT26D047D025				
	41	Washer	WA31D054D025				
	42	E ring	Z39 - 010				
	43	Earth spring	PBH1009				
	44	Drive spring	PBH1084				
	45	Plate spring	PBK1057				