

Service Manual

PIONEER®
The Art of Entertainment



ORDER NO.
ARP2518

COMPACT DISC PLAYER

PD-32

PD-S701

PD-S701-G

PD-32, PD-S701 AND PD-S701-G HAVE THE FOLLOWING:

Type	Model			Power Requirement	Remarks
	PD-32	PD-S701	PD-S701-G		
KU	○	—	—	AC120V Only	
KC	—	○	—	AC120V Only	
HEM	—	○	○	AC220 – 230V, 240V (Switchable) *	
HB	—	○	—	AC220 – 230V, 240V (Switchable) *	
HPW	—	○	—	AC220 – 230V, 240V (Switchable) *	
SD	—	○	—	AC110V, 120 – 127V, 220V, 240V (Switchable)	

* Change the primary wiring of the power transformer.

- This manual is applicable to PD-32/KU, PD-S701/KC, HEM, HB, HPW, SD and PD-S701-G/HEM types.
- For the following: PD-S701/KC, HEM, HB, HPW, SD and PD-S701-G/HEM, refer to page 69.
- Ce manuel pour le service comprend les explications de réglage en français.
- Este manual de servicio trata del método ajuste escrito en español.

CONTENTS

1. SAFETY INFORMATION	2	5. REGLAGES	42
2. EXPLODED VIEWS, PACKING AND PARTS LIST	4	5. AJUSTES	55
3. PCB PARTS LIST	11	6. DISASSEMBLY	68
4. SCHEMATIC AND PCB CONNECTIONS DIAGRAM	13	7. FOR PD-S701/KC, HEM, HB, HPW, SD AND PD-S701-G/HEM TYPES	69
5. ADJUSTMENTS	29	8. PANEL FACILITIES	71
		9. SPECIFICATIONS	71

PIONEER ELECTRONIC CORPORATION 4-1, Meguro 1-Chome, Meguro-ku, Tokyo 153, Japan

PIONEER ELECTRONICS SERVICE INC. P.O. Box 1760, Long Beach, California 90801 U.S.A.

PIONEER ELECTRONICS OF CANADA, INC. 300 Allstate Parkway Markham, Ontario L3R 0P2 Canada

PIONEER ELECTRONIC [EUROPE] N.V. Haven 1087 Keetberglaan 1, 9120 Melsele, Belgium

PIONEER ELECTRONICS AUSTRALIA PTY. LTD. 178-184 Boundary Road, Braeside, Victoria 3195, Australia TEL: [03] 580-9911

© PIONEER ELECTRONIC CORPORATION 1992

SI APR. 1992 Printed in Japan

This service manual is intended for qualified service technicians; it is not meant for the casual do-it-yourselfer. Qualified technicians have the necessary test equipment and tools, and have been trained to properly and safely repair complex products such as those covered by this manual.

Improperly performed repairs can adversely affect the safety and reliability of the product and may void the warranty. If you are not qualified to perform the repair of this product properly and safely, you should not risk trying to do so and refer the repair to a qualified service technician.

WARNING

Lead in solder used in this product is listed by the California Health and Welfare agency as a known reproductive toxicant which may cause birth defects or other reproductive harm (California Health & Safety Code, Section 25249.5).

When servicing or handling circuit boards and other components which contain lead in solder, avoid unprotected skin contact with the solder. Also, when soldering do not inhale any smoke or fumes produced.

1. SAFETY INFORMATION

(FOR USA MODEL ONLY)

1. SAFETY PRECAUTIONS

The following check should be performed for the continued protection of the customer and service technician.

LEAKAGE CURRENT CHECK

Measure leakage current to a known earth ground (water pipe, conduit, etc.) by connecting a leakage current tester such as Simpson Model 229-2 or equivalent between the earth ground and all exposed metal parts of the appliance (input/output terminals, screwheads, metal overlays, control shaft, etc.). Plug the AC line cord of the appliance directly into a 120V AC 60Hz outlet and turn the AC power switch on. Any current measured must not exceed 0.5mA.

ANY MEASUREMENTS NOT WITHIN THE LIMITS OUTLINED ABOVE ARE INDICATIVE OF A POTENTIAL SHOCK HAZARD AND MUST BE CORRECTED BEFORE RETURNING THE APPLIANCE TO THE CUSTOMER.

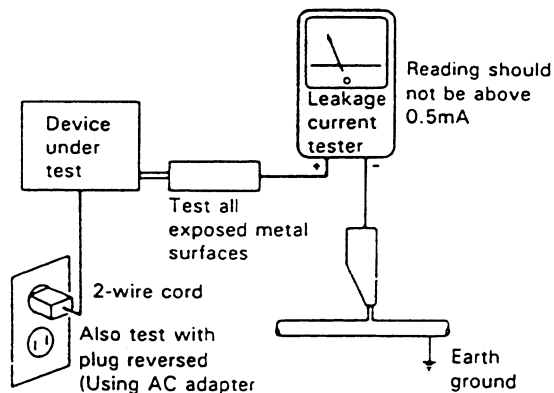
2. PRODUCT SAFETY NOTICE

Many electrical and mechanical parts in the appliance have special safety related characteristics. These are often not evident from visual inspection nor the protection afforded by them necessarily can be obtained by using replacement components rated for voltage, wattage, etc. Replacement parts which have these special safety characteristics are identified in this Service Manual.

Electrical components having such features are identified by marking with a Δ on the schematics and on the parts list in this Service Manual.

The use of a substitute replacement component which does not have the same safety characteristics as the PIONEER recommended replacement one, shown in the parts list in this Service Manual, may create shock, fire, or other hazards.

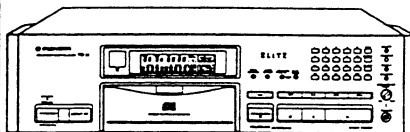
Product Safety is continuously under review and new instructions are issued from time to time. For the latest information, always consult the current PIONEER Service Manual. A subscription to, or additional copies of, PIONEER Service Manual may be obtained at a nominal charge from PIONEER.



AC Leakage Test

Service Manual

PIONEER
The Art of Entertainment



ORDER NO.
ARP2518

PD-S701 PD-S701-G

PD-32, PD-S701 AND PD-S701-G HAVE THE FOLLOWING:

Type	Model			Power Requirement	Remarks
	PD-32	PD-S701	PD-S701-G		
KU	○	—	—	AC120V Only	
KC	—	○	—	AC120V Only	
HEM	—	○	○	AC220 – 230V, 240V (Switchable) *	
HB	—	○	—	AC220 – 230V, 240V (Switchable) *	
HPW	—	○	—	AC220 – 230V, 240V (Switchable) *	
SD	—	○	—	AC110V, 120 – 127V, 220V, 240V (Switchable)	

* Change the primary wiring of the power transformer.

- This manual is applicable to PD-32/KU, PD-S701/KC, HEM, HB, HPW, SD and PD-S701-G/HEM types.
- For the following: PD-S701/KC, HEM, HB, HPW, SD and PD-S701-G/HEM, refer to page 69.
- Ce manuel pour le service comprend les explications de réglage en français.
- Este manual de servicio trata del método ajuste escrito en español.

CONTENTS

1. SAFETY INFORMATION	2	5. REGLAGES	42
2. EXPLODED VIEWS, PACKING AND PARTS LIST	4	5. AJUSTES	55
3. PCB PARTS LIST	11	6. DISASSEMBLY	68
4. SCHEMATIC AND PCB CONNECTIONS DIAGRAM	13	7. FOR PD-S701/KC, HEM, HB, HPW, SD AND PD-S701-G/HEM TYPES	69
5. ADJUSTMENTS	29	8. PANEL FACILITIES	71
		9. SPECIFICATIONS	71

PIONEER ELECTRONIC CORPORATION 4-1, Meguro 1-Chome, Meguro-ku, Tokyo 153, Japan
PIONEER ELECTRONICS SERVICE INC. P.O. Box 1760, Long Beach, California 90801 U.S.A.
PIONEER ELECTRONICS OF CANADA, INC. 300 Allstate Parkway Markham, Ontario L3R 0P2 Canada
PIONEER ELECTRONIC [EUROPE] N.V. Haven 1087 Keetberglaan 1, 9120 Melsele, Belgium
PIONEER ELECTRONICS AUSTRALIA PTY. LTD. 178-184 Boundary Road, Braeside, Victoria 3195, Australia TEL: [03] 580-9911
 © PIONEER ELECTRONIC CORPORATION 1992

SI APR 1992 Printed in Japan

This service manual is intended for qualified service technicians; it is not meant for the casual do-it-yourselfer. Qualified technicians have the necessary test equipment and tools, and have been trained to properly and safely repair complex products such as those covered by this manual.

Improperly performed repairs can adversely affect the safety and reliability of the product and may void the warranty. If you are not qualified to perform the repair of this product properly and safely, you should not risk trying to do so and refer the repair to a qualified service technician.

WARNING

Lead in solder used in this product is listed by the California Health and Welfare agency as a known reproductive toxicant which may cause birth defects or other reproductive harm (California Health & Safety Code, Section 25249.5).

When servicing or handling circuit boards and other components which contain lead in solder, avoid unprotected skin contact with the solder. Also, when soldering do not inhale any smoke or fumes produced.

1. SAFETY INFORMATION

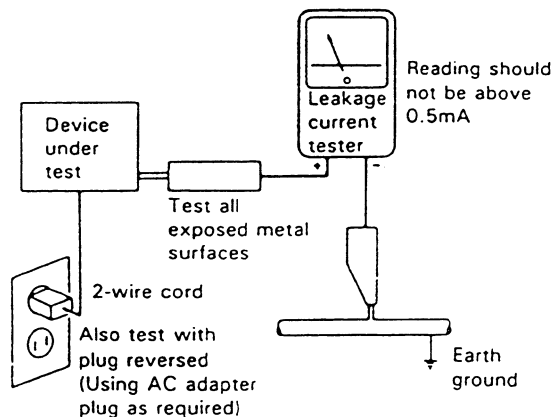
(FOR USA MODEL ONLY)

1. SAFETY PRECAUTIONS

The following check should be performed for the continued protection of the customer and service technician.

LEAKAGE CURRENT CHECK

Measure leakage current to a known earth ground (water pipe, conduit, etc.) by connecting a leakage current tester such as Simpson Model 229-2 or equivalent between the earth ground and all exposed metal parts of the appliance (input/output terminals, screwheads, metal overlays, control shaft, etc.). Plug the AC line cord of the appliance directly into a 120V AC 60Hz outlet and turn the AC power switch on. Any current measured must not exceed 0.5mA.



AC Leakage Test

ANY MEASUREMENTS NOT WITHIN THE LIMITS OUTLINED ABOVE ARE INDICATIVE OF A POTENTIAL SHOCK HAZARD AND MUST BE CORRECTED BEFORE RETURNING THE APPLIANCE TO THE CUSTOMER.

2. PRODUCT SAFETY NOTICE

Many electrical and mechanical parts in the appliance have special safety related characteristics. These are often not evident from visual inspection nor the protection afforded by them necessarily can be obtained by using replacement components rated for voltage, wattage, etc. Replacement parts which have these special safety characteristics are identified in this Service Manual.

Electrical components having such features are identified by marking with a Δ on the schematics and on the parts list in this Service Manual.

The use of a substitute replacement component which does not have the same safety characteristics as the PIONEER recommended replacement one, shown in the parts list in this Service Manual, may create shock, fire, or other hazards.

Product Safety is continuously under review and new instructions are issued from time to time. For the latest information, always consult the current PIONEER Service Manual. A subscription to, or additional copies of, PIONEER Service Manual may be obtained at a nominal charge from PIONEER.

(FOR EUROPEAN MODEL ONLY)

VARO!
AVATTAESSA JA SUOJALUKITUS
OHITETTAESSA OLET ALTTIINA
NÄKYMÄTTÖMÄLLE LASERSÄTEILYLLE.
ÄLÄ KATSO SÄTEESEEN.



LASER
Kuva 1
Lasersäteilyn
varoituserkki

WARNING!
DEVICE INCLUDES LASER DIODE WHICH
EMITS INVISIBLE INFRARED RADIATION
WHICH IS DANGEROUS TO EYES. THERE IS
A WARNING SIGN ACCORDING TO PICTURE
1 INSIDE THE DEVICE CLOSE TO THE LASER
DIODE.



LASER
Picture 1
Warning sign for
laser radiation

ADVERSEL:
USYNLIG LASERSTRÅLING VED ÅBNING
NÅR SIKKERHEDSAFBRYDERE ER UDE AF
FUNKTION UNDGÅ UDSÆTTELSE FOR
STRÅLING.

VARNING!
OSYNLIG LASERSTRÅLNING NÅR DENNA
DEL ÄR ÖPPNAD OCH SPÄRREN
ÄR URKOPPLAD. BETRAKTA EJ STRÅLEN.

IMPORTANT
THIS PIONEER APPARATUS CONTAINS
LASER OF CLASS 1.
SERVICING OPERATION OF THE APPARATUS
SHOULD BE DONE BY A SPECIALLY
INSTRUCTED PERSON.

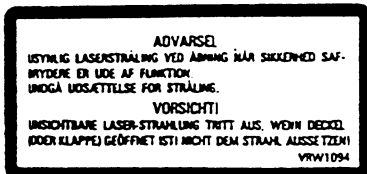
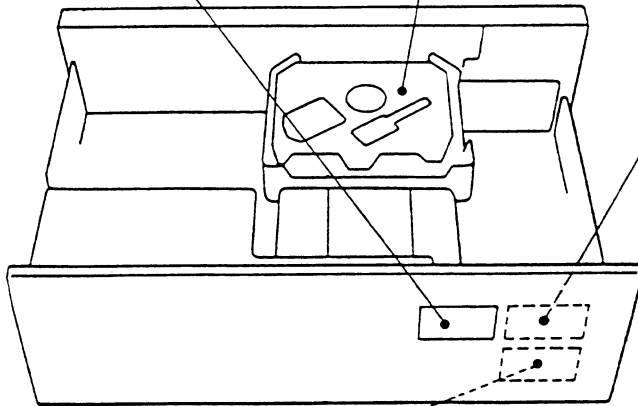
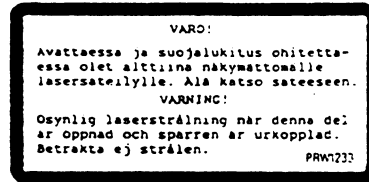
LASER DIODE CHARACTERISTICS
MAXIMUM OUTPUT POWER: 5 mw
WAVELENGTH: 780-785 nm

LABEL CHECK

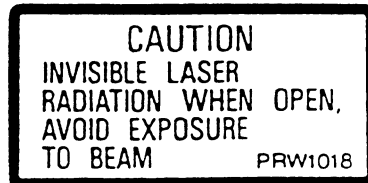
HEM and HB types



HEM type



HEM type



HB type

Additional Laser Caution

1. Laser Interlock Mechanism
The position of the switch (S601) for detecting loading completion is detected by the system microprocessor, and the design prevents laser diode oscillation when the switch (S601) is not in CLMP terminal side (when the mechanism is not clamped and CLMP signal is high level).
Thus, the interlock will no longer function if the switch (S601) is deliberately set to CLMP terminal side (if CLMP signal is low level).
In the test mode *, the interlock mechanism will not function.
Laser diode oscillation will continue if pins 2 and 3 of CXA1471S (IC101) are connected to ground or pin 20 is connected to high level (ON) or the terminals of Q101 are shorted to each other (fault condition).
2. When the cover is opened, close viewing of the objective lens with the naked eye will cause exposure to a Class 1 laser beam.

* Refer to page 30.

2. EXPLODED VIEWS, PACKING AND PARTS LIST

NOTES:

- Parts marked by “NSP” are generally unavailable because they are not in our Master Spare Parts List.
- The \triangle mark found on some component parts indicates the importance of the safety factor of the part. Therefore, when replacing, be sure to use parts of identical designation.
- Parts marked by “ \odot ” are not always kept in stock. Their delivery time may be longer than usual or they may be unavailable.

2.1 EXTERIOR

Parts List

Mark	No.	Description	Part No.	Mark	No.	Description	Part No.
	1	Mother board assembly	PWM1624	NSP	102	Switch board Assembly	PWZ2357
\triangle	2	Strain relief	CM - 22C	NSP	103	Under base	PNA1570
\triangle	3	AC power cord	PDG1015		104	
\triangle	4	Power transformer (10W)	PTT1269	NSP	105	Rear base	PNA1840
	5					
	6		NSP	106	Function board assembly	PWZ2356
	7	Insulator	PNW1912	NSP	107	PCB spacer	PNY - 404
	8		NSP	108	Loading Mech assembly	PXA1473
	9	Power button	PAC1658	NSP	109	Front panel	PAN1249
	10	Track button	PAC1660	NSP	110	Motor Volume board assembly	PWZ2358
	11	Play button	PAC1659				
	12		NSP	111	Headphone board assembly	PWZ2359
	13	Display window	PAM1576	NSP	112	RF board assembly	PWZ2392
	14	Control panel	PNW2180	NSP	113	H.P. Angle plate	PNB1378
	15		NSP	114	R.F. Angle plate	PNB1401
	16	LED lens	PNW2019				
	17	Tray panel	PNW1949				
	18					
	19	Knob C	RAC1608				
	20	H.F Lens	PNW2157				
	21	Front panel Ass'y	PEA1214				
	22	Bonnet	PYY1148				
	23	Screw	PPZ30P050FMC				
	24	Screw	BBT30P060FCC				
	25	Screw	BBT30P080FCC				
	26	Screw	IBZ30P060FCC				
	27	Screw	BBZ30P060FCC				
	28	Screw	BBZ30P080FCC				
	29	Screw	PPZ30P100FMC				
	30	Screw	PBA1071				
	31	Screw	FBT40P080FZK				
	32	Screw	IBZ30P060FCC				
	33	Screw	IBZ30P080FCC				
	34	Screw	IBZ30P150FCC				
	35	Panel stabilizer	PNW2179				
	36	Side spacer	PEB1217				
	37	Side sheet	PNM1187				
	38	Name plate	AAM1001				
	39	Tray lens	PNW1950				

Exterior

A

B

C

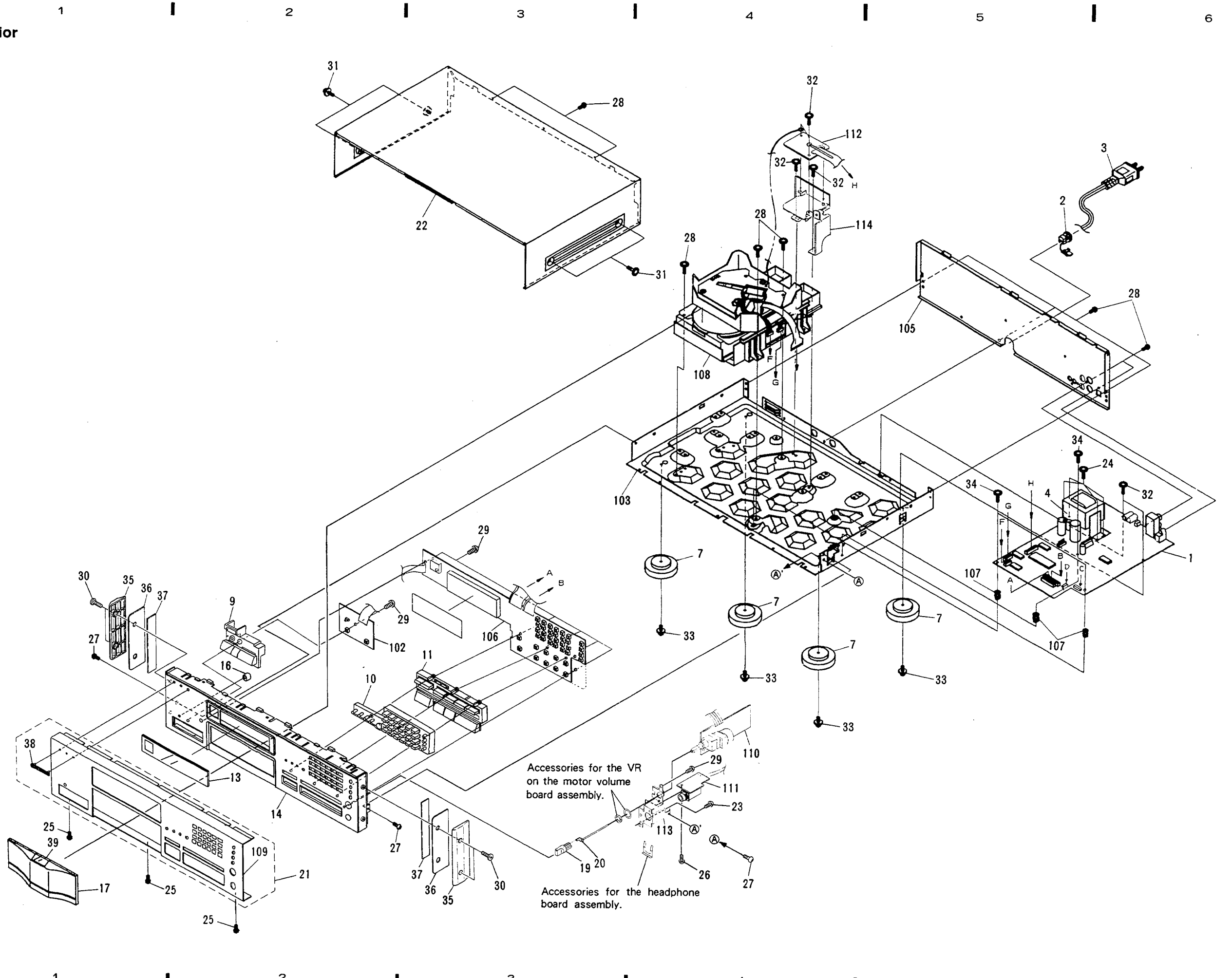
D

A

B

C

D



1

2

3

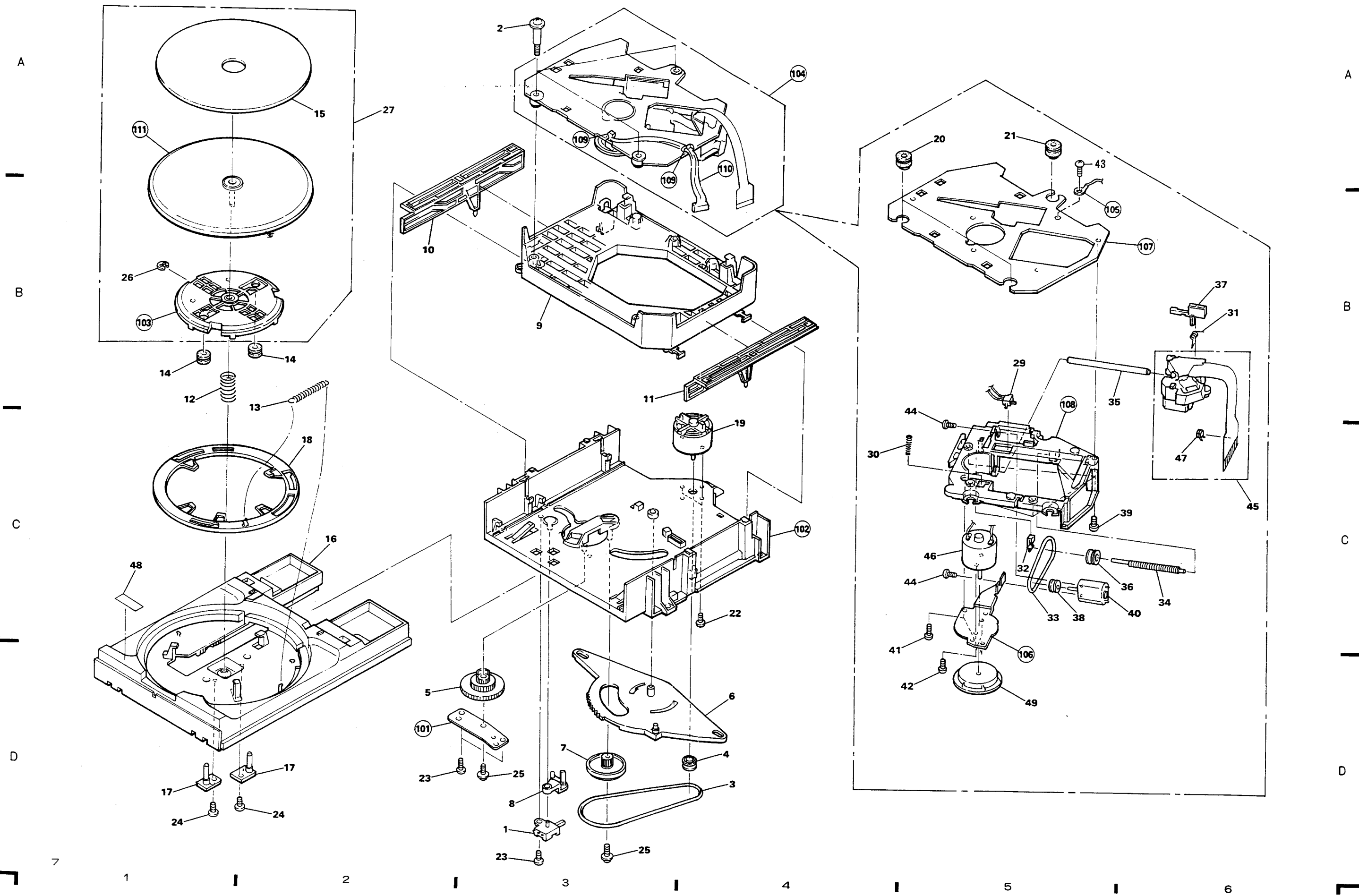
4

5

6

6

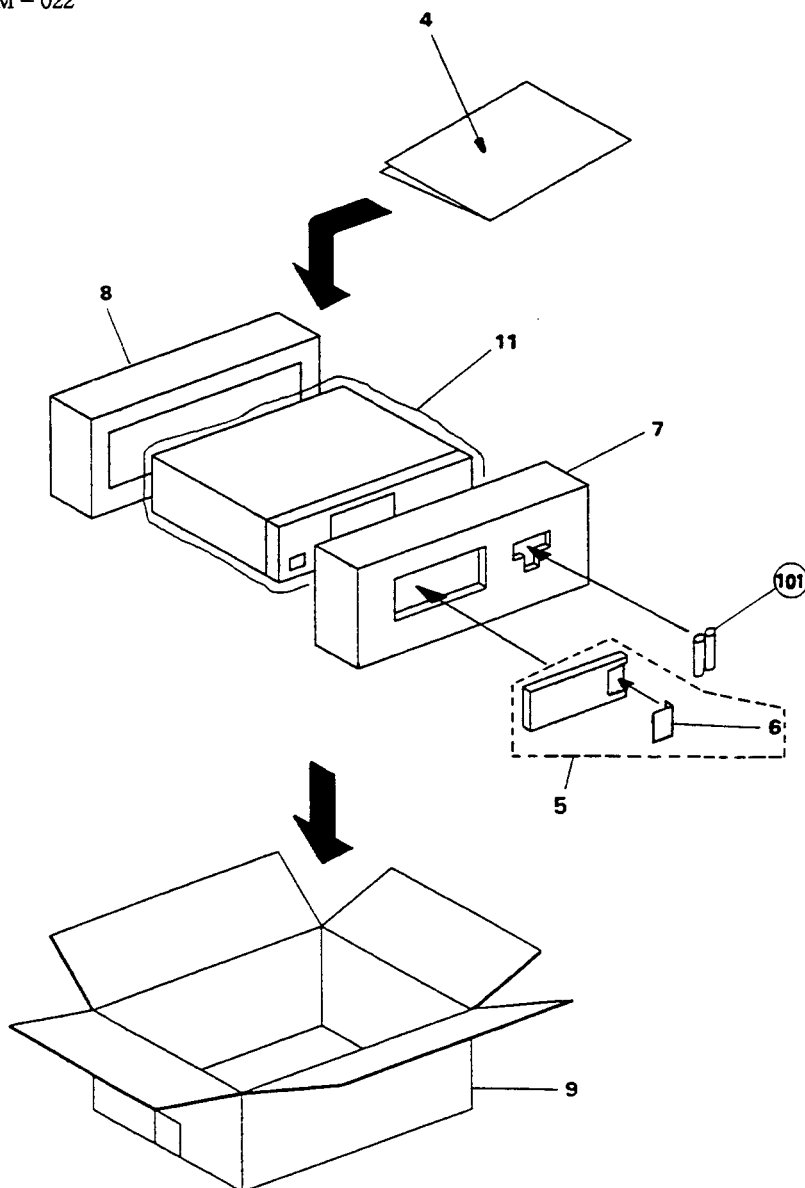
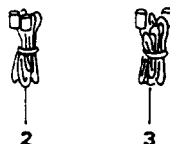
2.2 MECHANISM SECTION



2.3 PACKING

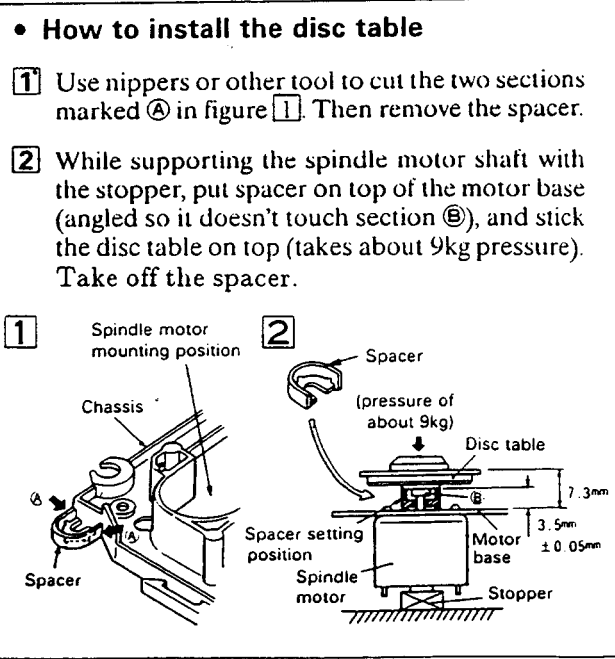
Parts List

Mark	No.	Description	Part No.
	1	
	2	Cord with plug (mini plug)	PDE - 319
	3	Cord with plug	PDE1001
	4	Operating instructions (English)	PRB1170
	5	Remote control unit	PWW1069
	6	Battery lid	PZN1001
	7	Styrol protector F	PHA1204
	8	Styrol protector R	PHA1164
	9	CD packing case	PHG1808
	10	
	11	Sheet	Z23 - 007
NSP	101	Mangan battery (R03, AAA)	VEM - 022



Parts List of Mechanism section

Mark	No.	Description	Parts No.	Mark	No.	Description	Parts No.
	1	Lever switch (S601)	DSK1003	NSP	101	Shaft holder	PNB1382
	2	Screw(steel)	PBA1027	NSP	102	Loading base	PNW1995
	3	Rubber belt	PEB1186	NSP	103	Table bearing assembly	PXA1383
	4	Motor pulley	PNW1634	NSP	104	Servo mechanism assembly	PXA1472
	5	Drive gear	PNW1996	NSP	105	Cord with plug	XDF - 503
	6	Synchro lever	PNW2168	NSP	106	Motor base	PNB1211
	7	Gear pulley	PNW1998	NSP	107	Mechanism base assembly	PXA1474
	8	SW head	PNW1999	NSP	108	Mechanism chassis	PNW1604
	9	Float base	PNW2000	NSP	109	Binder	PEC - 107
	10	Left cam	PNW2001	NSP	110	Connector assembly	PDE1130
	11	Right cam	PNW2002	NSP	111	Turn table (AL)	PNR1035
	12	Compression spring	PBH1120				
	13	Tention spring	PBH1121				
	14	Float(rubber)	PEB1014				
	15	Table rubber sheet	PEB1181				
	16	Tray	PNW2003				
	17	Table guide	PNW2004				
	18	Lock plate	PNW2005				
	19	DC motor(0.75W)	PXM1010				
	20	Rubber bush	PEB1031				
	21	Rubber bush	PEB1170				
	22	Screw	BMZ26P040FMC				
	23	Screw	BPZ26P060FMC				
	24	Screw	IPZ26P060FCU				
	25	Screw	IPZ20P080FMC				
	26	Stop ring	YE20S				
	27	Turn table assembly	PEA1165				
	29	Push switch	DSG1014				
	30	Spring	PBH1009				
	31	Spring	PBH1084				
	32	Plate spring	PBK1057				
	33	Belt(square)	PEB1072				
	34	Screw	PLA1003				
	35	Guide bar	PLA1071				
	36	Pulley	PNW1066				
	37	Half nut	PNW1605				
	38	Motor pulley	PNW1634				
	39	Screw	PBZ30P080FMC				
	40	DC motor(1.7W)	PXM1013				
	41	Screw	BPZ20P080FZK				
	42	Screw	JFZ20P025FMC				
	43	Screw	PBZ30P060FMC				
	44	Screw	PMZ20P030FMC				
	45	Pick up assembly	PEA1030				
	46	DC motor assembly(With oil)	PEA1156				
	47	Semi-fixed VR(3.3K)	PCP1008				
	48	Caution label	PRW1244				
	49	Disc table	PNW1067				



3. PCB PARTS LIST

NOTES:

- Parts marked by "NSP" are generally unavailable because they are not in our Master Spare Parts List.
- Parts marked by "⊙" are not always kept in stock. Their delivery time may be longer than usual or they may be unavailable.
- The Δ mark found on some component parts indicates the importance of the safety factor of the part. Therefore, when replacing, be sure to use parts of identical designation.
- When ordering resistors, first convert resistance values into code form as shown in the following examples.

Ex.1 When there are 2 effective digits (any digit apart from 0), such as 560 ohm and 47k ohm (tolerance is shown by J=5%, and K=10%)

560 Ω \rightarrow $56 \times 10^1 \rightarrow$ 561 RD1/4PS $\begin{matrix} 5 & 6 & 1 \\ \hline \end{matrix}$ J
 47k Ω \rightarrow $47 \times 10^3 \rightarrow$ 473 RD1/4PS $\begin{matrix} 4 & 7 & 3 \\ \hline \end{matrix}$ J
 0.5 Ω \rightarrow 0R5 RN2H $\begin{matrix} 0 & R & 5 \\ \hline \end{matrix}$ K
 1 Ω \rightarrow 010 RS1P $\begin{matrix} 0 & 1 & 0 \\ \hline \end{matrix}$ K

Ex.2 When there are 3 effective digits (such as in high precision metal film resistors).

5.62k $\Omega \rightarrow$ $562 \times 10^1 \rightarrow$ 5621 RN1/4SR $\begin{matrix} 5 & 6 & 2 & 1 \\ \hline \end{matrix}$ F

Mark	No.	Description	Part No.	Mark	No.	Description	Part No.
------	-----	-------------	----------	------	-----	-------------	----------

LIST OF ASSEMBLIES

⊙		MOTHER BOARD ASSEMBLY	PWM1624
⊙		SUB BOARD ASSEMBLY	PWX1228
NSP	├	FUNCTION BOARD ASSEMBLY	PWZ2356
NSP	├	SWITCH BOARD ASSEMBLY	PWZ2357
NSP	├	MOTOR VR BOARD ASSEMBLY	PWZ2358
NSP	├	HEADPHONE BOARD ASSEMBLY	PWZ2359
NSP	├	RF BOARD ASSEMBLY	PWZ2392

MOTHER BOARD ASSEMBLY

SEMICONDUCTORS

Δ	IC20	REGULATOR IC	TA2019P
	IC21	REGULATOR IC	NJM7805FA
	IC151	SERVO IC	CXA1372S
Δ	IC201, 202	POWER OP-AMP IC	LA6520
	IC301	EFM DEMODULATION IC	CXD2500AQ
	IC351	MICROCOMPUTER IC	PD4403B
	IC401	D/A CONVERTER IC	PD2026A
	IC405	OP-AMP IC	NJM5532DD
	IC406	OP-AMP, IC	M5218AP
	Q322	TRANSISTOR	DTC124ES
	Q391	TRANSISTOR	2SC1740S
	Q403, 404	TRANSISTOR	2SD2144S
	Q405	TRANSISTOR	DTC124ES
	Q451, 452	TRANSISTOR	DTA124ES
	Q453, 454	TRANSISTOR	2SD2144S
	Q455, 456	TRANSISTOR	DTC124ES
Δ	D11-14	DIODE	11ES2
Δ	D52	DIODE	11ES2
	D54	ZENNER DIODE	MTZJ18B
	D351	DIODE	1SS254
	D391-397	DIODE	1SS254
	D451-454	DIODE	1SS254

COILS/TRANSFORMERS

L351	AXIAL INDUCTOR	LAU010K
L391, 392	AXIAL INDUCTOR	LAU010K
L395, 396	AXIAL INDUCTOR	LAU010K

CAPACITORS

C11	CERAMIC CAPACITOR	CKCYF103Z50
C13	CERAMIC CAPACITOR	CKCYF103Z50
C15, 16	CERAMIC CAPACITOR	CKCYF103Z50
C25, 26	ELECT. CAPACITOR	CEAS472M16
C27, 28	ELECT. CAPACITOR	CEAS471M6R3
C29	ELECT. CAPACITOR	CEAS102M16
C52	ELECT. CAPACITOR	CEAS101M35
C60	ELECT. CAPACITOR	CEAS010M50
C151	ELECT. CAPACITOR	CEAS101M10
C153	ELECT. CAPACITOR	CEAS471M10
C155	CERAMIC CAPACITOR	CKCYB182K50
C156	CERAMIC CAPACITOR	CGCYX333K25
C157	CERAMIC CAPACITOR	CGCYX103K25
C158, 159	CERAMIC CAPACITOR	CGCYX104K25
C160	ELECT. CAPACITOR	CEAS4R7M50
C161	AUDIO FILM CAPACITOR	CFTXA104J50
C162	ELECT. CAPACITOR	CEAS010M50
C163	CERAMIC CAPACITOR	CGCYX104K25
C164	CERAMIC CAPACITOR	CGCYX103K25
C167	CERAMIC CAPACITOR	CKCYF103Z50
C168	CERAMIC CAPACITOR	CGCYX333K25
C169	CERAMIC CAPACITOR	CGCYX103K25
C170	CERAMIC CAPACITOR	CKCYB332K50
C171, 172	CERAMIC CAPACITOR	CKCYB472K50
C205	CERAMIC CAPACITOR	CKCYF103Z50
C210	CERAMIC CAPACITOR	CGCYX103K25
C215	CERAMIC CAPACITOR	CGCYX103K25
C216, 217	ELECT. CAPACITOR	CEAS330M16
C218	CERAMIC CAPACITOR	CKCYB272K50
C230	CERAMIC CAPACITOR	CGCYX104K25
C301	CERAMIC CAPACITOR	CGCYX104K25
C302	ELECT. CAPACITOR	CEAS471M6R3
C303	CERAMIC CAPACITOR	CKCYF103Z50
C306	CERAMIC CAPACITOR	CKCYB152K50
C307	CERAMIC CAPACITOR	CGCYX473K25
C308	CERAMIC CAPACITOR	CGCYX103K25
C309	ELECT. CAPACITOR	CEASR47M50
C321	AUDIO FILM CAPACITOR	CFTXA104J50

Mark	No.	Description	Part No.
	C322	ELECT. CAPACITOR	CEAS101M10
	C351	ELECT. CAPACITOR	CEAS471M6R3
	C353	CERAMIC CAPACITOR	CKCYF103Z50
	C403	CERAMIC CAPACITOR	CCCCH120J50
	C404	CERAMIC CAPACITOR	CCCCH220J50
	C413-416	AUDIO FILM CAPACITOR	CFTXA104J50
	C421	AUDIO FILM CAPACITOR	CFTXA104J50
	C429, 430	CERAMIC CAPACITOR	CCCCH390J50
	C431, 432	ELECT. CAPACITOR	CEAS101M25
	C433, 434	ELECT. CAPACITOR	CEAS470M50
	C435-438	CERAMIC CAPACITOR	CCCCH390J50
	C441-444	PL. STYRENE CAPACITOR	CQSA152J50
	C451, 452	ELECT. CAPACITOR	CEAS4R7M50
	C461	CERAMIC CAPACITOR	CKCYF103Z50

RESISTORS

R51-53	CARBONFILM RESISTOR	RD1/6PM□□□J
R153-158	CARBONFILM RESISTOR	RD1/6PM□□□J
R160	CARBONFILM RESISTOR	RD1/6PM□□□J
R185, 186	CARBONFILM RESISTOR	RD1/6PM□□□J
R201	CARBONFILM RESISTOR	RD1/6PM□□□J
R205, 206	CARBONFILM RESISTOR	RD1/6PM□□□J
R210	CARBONFILM RESISTOR	RD1/6PM□□□J
R215, 216	CARBONFILM RESISTOR	RD1/6PM□□□J
R218	CARBONFILM RESISTOR	RD1/6PM□□□J
R221-224	CARBONFILM RESISTOR	RD1/6PM□□□J
R226-230	CARBONFILM RESISTOR	RD1/6PM□□□J
R301-312	CARBONFILM RESISTOR	RD1/6PM□□□J
R319	CARBONFILM RESISTOR	RD1/6PM□□□J
R321	CARBONFILM RESISTOR	RD1/6PM□□□J
R355-361	CARBONFILM RESISTOR	RD1/6PM□□□J
R363-367	CARBONFILM RESISTOR	RD1/6PM□□□J
R370	CARBONFILM RESISTOR	RD1/6PM□□□J
R380	RESISTOR ARRAY (47K)	RA12T□□□J
R391-396	CARBONFILM RESISTOR	RD1/6PM□□□J
R401	CARBONFILM RESISTOR	RD1/6PM□□□J
R405	CARBONFILM RESISTOR	RD1/6PM□□□J
R427-430	CARBONFILM RESISTOR	RD1/6PM□□□J
R435-444	CARBONFILM RESISTOR	RD1/6PM□□□J
R447-462	CARBONFILM RESISTOR	RD1/6PM□□□J
R496-498	CARBONFILM RESISTOR	RD1/6PM□□□J
VR151, 152	VR	RCP1046

OTHERS

4P PIN JACK	DKB1016
TERMINAL	RKC-061
JA301 OPTICAL OUTPUT JACK	TOTX178
JA391, 392 JACK/12V	PKN1004
JA393 JACK	PKN1005
X351 CERAMIC RESONATOR	VSS1014
X401 XTAL RES (OSC)	PSS1006

FUNCTION BOARD ASSEMBLY

SEMICONDUCTORS

D701-711 DIODE	1SS254
----------------	--------

Mark	No.	Description	Part No.
SWITCHES			
	S701, 702	SWITCH	PSG1006
	S704-742	SWITCH	PSG1006

COILS/TRANSFORMERS			
	L701, 702	AXIAL INDUCTOR	LAU010K

CAPACITORS			
	C701-712	CERAMIC CAPACITOR	CKPUYB181K50

RESISTORS			
	R701	CARBONFILM RESISTOR	RD1/6PM□□□J

OTHERS			
	REMOTE SENSOR		SBX1610-51
	V701 FL INDICATOR TUBE		PEL1057

SWITCH BOARD ASSEMBLY

SEMICONDUCTORS			
	D751	LED	PCX1019

SWITCHES			
	S751, 752	SWITCH	PSG1006

MOTOR VR BOARD ASSEMBLY

RESISTORS			
	VR501		PCS1010

HEADPHONE BOARD ASSEMBLY

COILS/TRANSFORMERS			
	L501-503	AXIAL INDUCTOR	LAU010K

CAPACITORS			
	C501, 502	CERAMIC CAPACITOR	CKCYF103Z50
	C503	CERAMIC CAPACITOR	CKCYF473Z50

RESISTORS			
	R501, 502	CARBONFILM RESISTOR	RD1/6PM□□□J

OTHERS			
	JA501	JACK	PKN1001

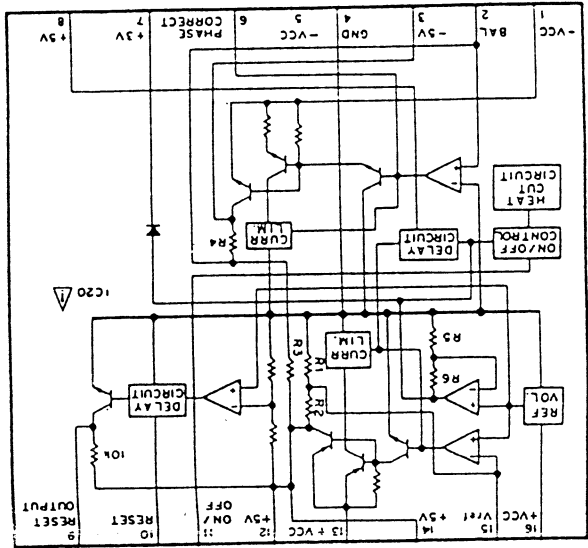
RF BOARD ASSEMBLY

SEMICONDUCTORS			
	IC101	PRE AMP IC	CXA1471S
	Q101	TRANSISTOR	2SA854S

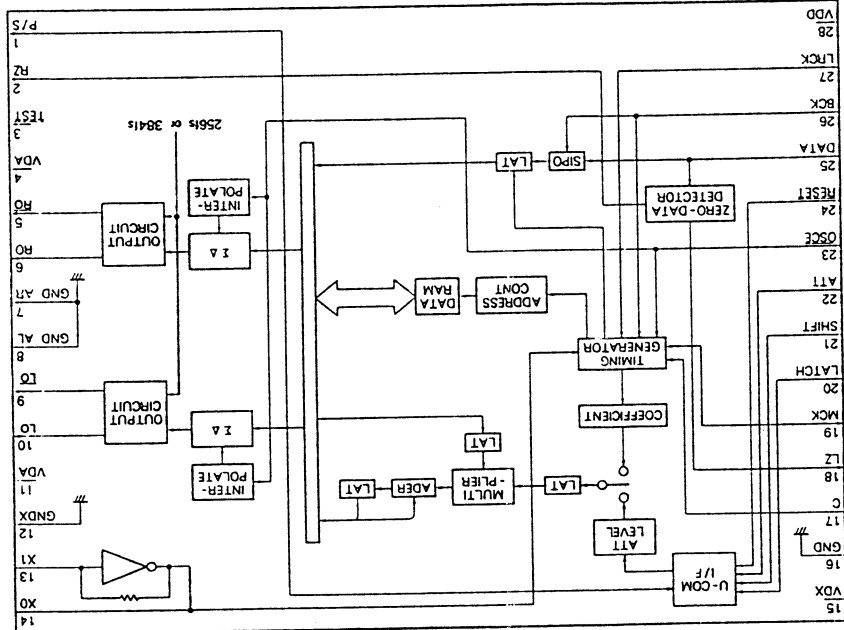
CAPACITORS			
	C101, 102	ELECT. CAPACITOR	CEAS471M6R3
	C103	CERAMIC CAPACITOR	CCCCH200J50
	C104	ELECT. CAPACITOR	CEAS101M10
	C110	CERAMIC CAPACITOR	CKCYF103Z50
	C120	CERAMIC CAPACITOR	CGCYX104K25

RESISTORS			
	R101-110	CARBONFILM RESISTOR	RD1/6PM□□□J
	VR102	VR	RCP1046
	VR103	VR	RCP1044

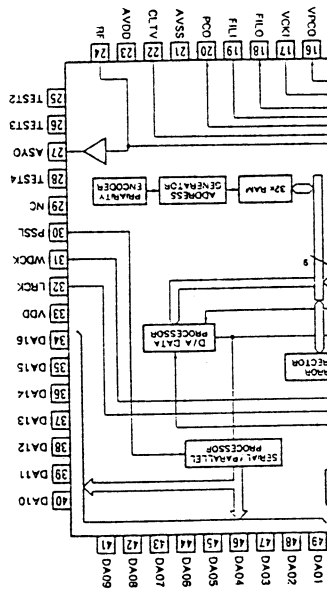
OTHERS			
	CN101	CONNECTOR	52045-1610



IC20: TA2019P



IC401: PD2026A



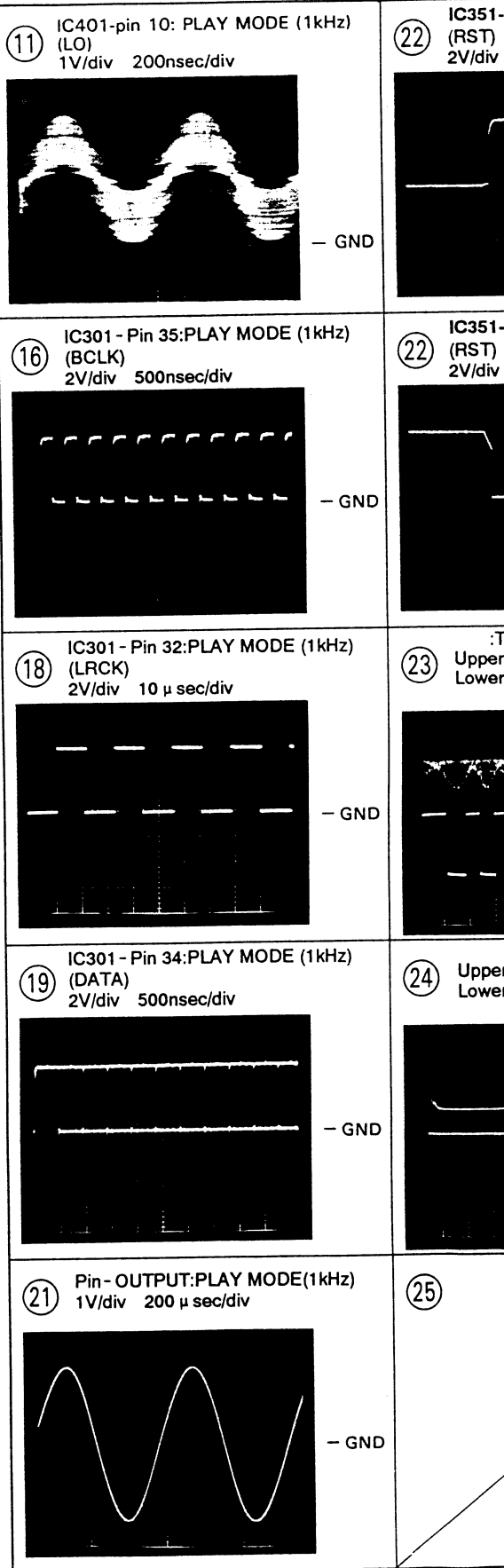
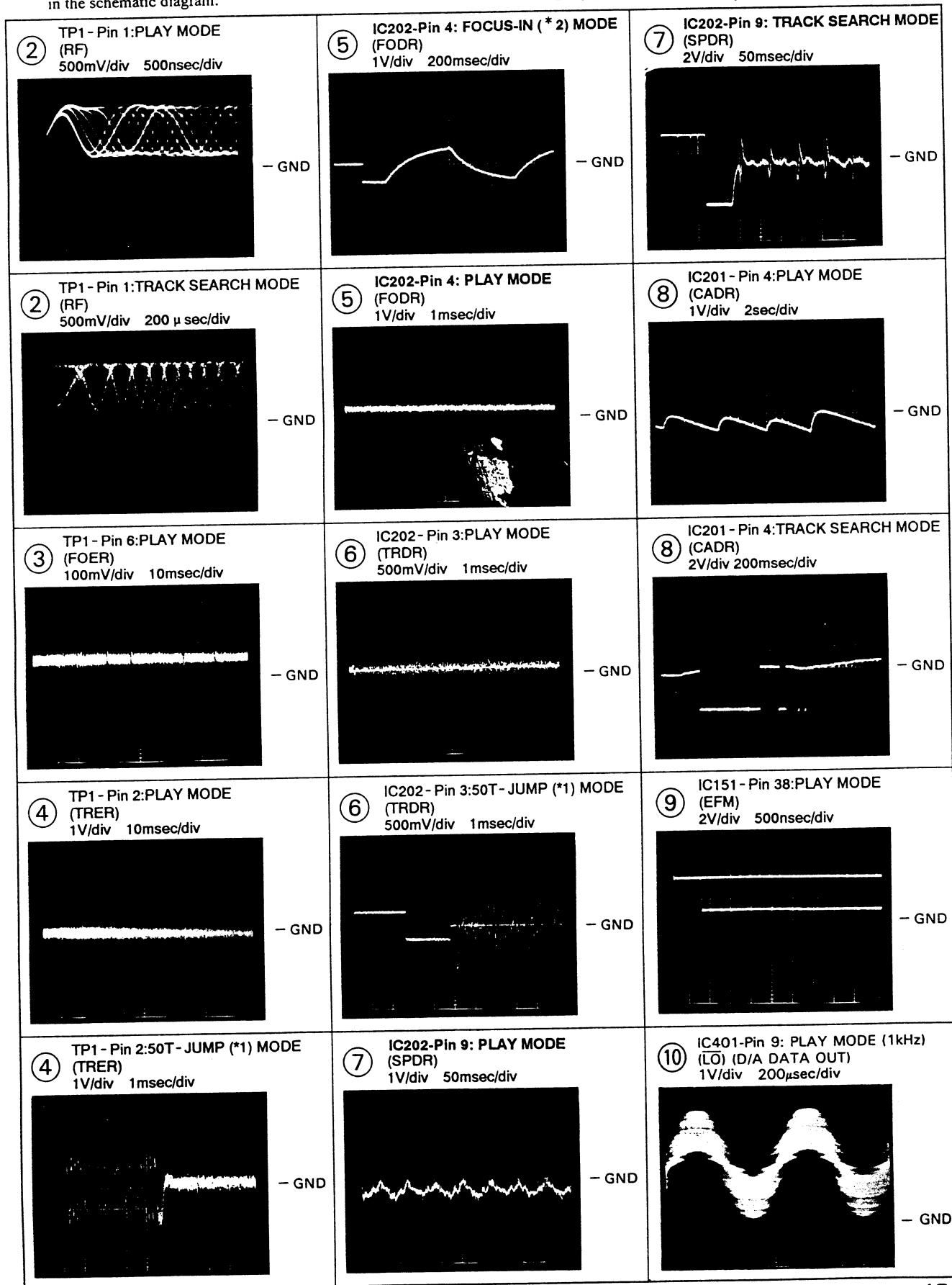
4. SCHEMATIC AND PCB CONNECTIONS DIAGRAM

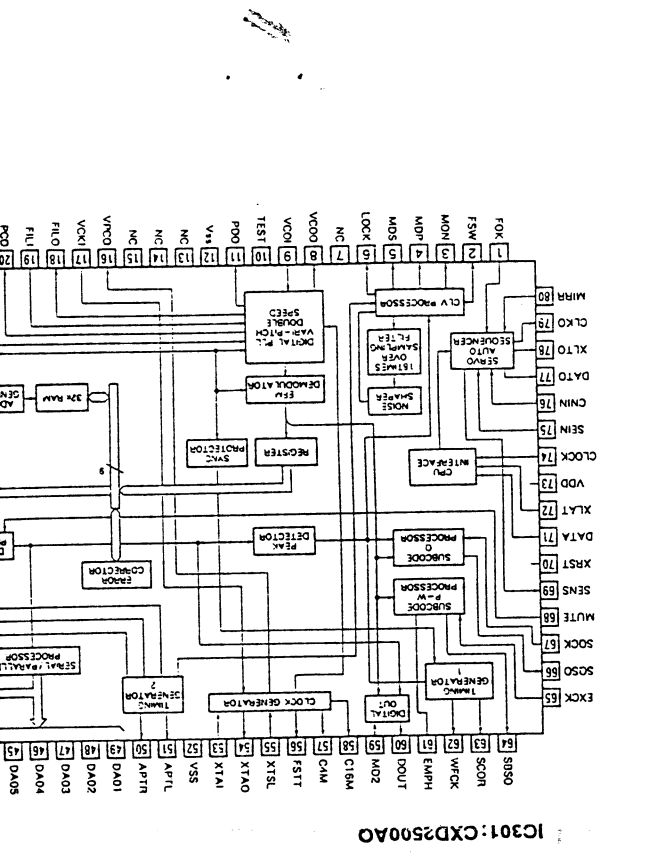
WAVE FORMS

Note: The encircled numbers denote measuring points in the schematic diagram.

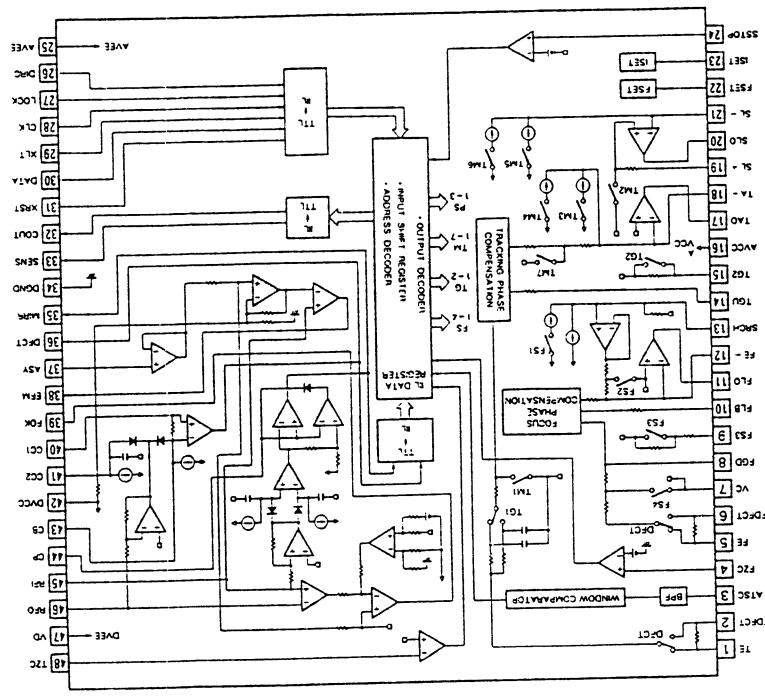
*1 50T-JUMP: After switching to the pause mode, press the manual search key.
*2 FOCUS-IN: Press the key without loading a disc.

*3 POWER ON: Plug AC cord into AC wall socket.
*4 POWER OFF: Unplug AC cord from AC wall socket.

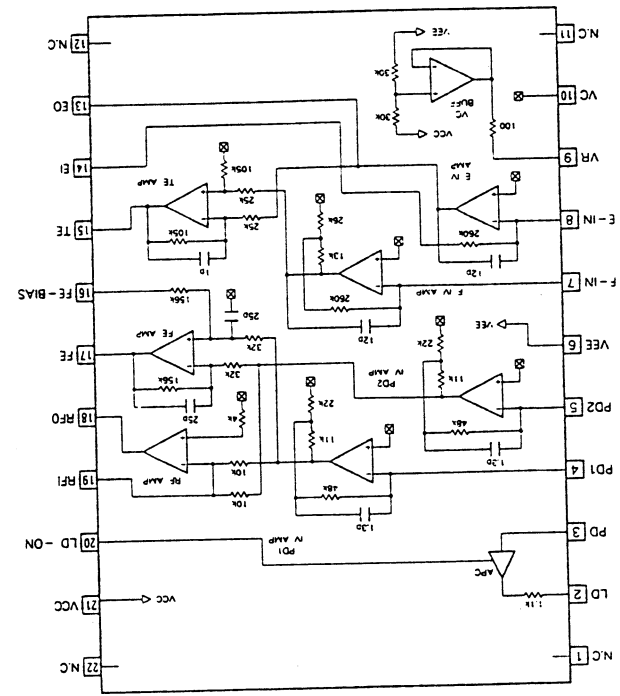




IC301: CXD2500A0



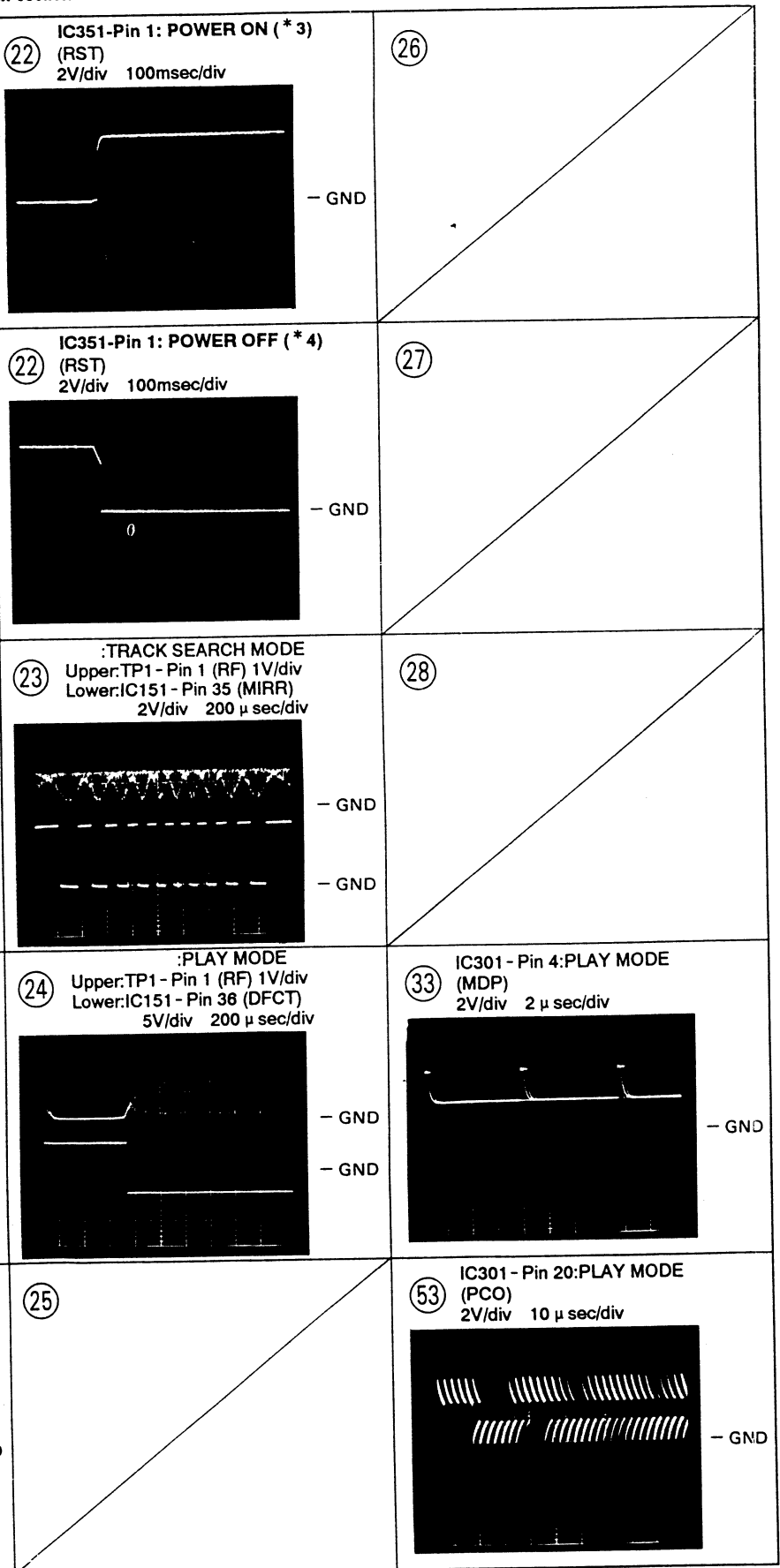
IC151: CXA1372S



IC101: CXA1471S

● IC BLOCK DIAGRAMS

ocket.
ll socket.



- RESISTORS :**
Indicated in Ω , 1/4W, 1/6W, 1/8W, $\pm 5\%$ tolerance unless otherwise noted k; k Ω , M; M Ω , (F); $\pm 1\%$, (G); $\pm 2\%$, (K); $\pm 10\%$, (M); $\pm 20\%$ tolerance.
- CAPACITORS :**
Indicated in capacity (μF) / voltage (V) unless otherwise noted p; pF. Indication without voltage is 50V except electrolytic capacitor.
- VOLTAGE CURRENT :**
 - \square ; DC voltage (V) at play state.
 - \leftarrow mA; DC current at play state.
- OTHERS :**
 - \rightarrow ; Signal route.
 - \otimes ; Adjusting point.

The Δ mark found on some component parts indicates the importance of the safety factor of the part. Therefore, when replacing, be sure to use parts of identical designation.
 \times marked capacitors and resistors have parts numbers.

This is the basic schematic diagram, but the actual circuit may vary due to improvements in design.

5. SWITCHES (The underlined indicates the switch position)

FUNCTION BOARD ASSEMBLY		
S701 : O/C	S716 : CLEAR	S730 : 16
S702 : TIME	S717 : CHECK	S731 : 14
S704 : PLAY	S718 : PGM	S732 : 13
S705 : PAUSE	S719 : 20	S733 : 12
S706 : STOP	S720 : 15	S734 : 11
S707 : <u>▶▶</u>	S721 : 10	S735 : 9
S708 : <u>▶▶</u>	S722 : 5	S736 : 8
S709 : <u>▶▶</u>	S723 : EDIT	S737 : 7
S710 : <u>▶▶</u>	S724 : T.F.E	S738 : 6
S711 : RND	S725 : PEAK	S739 : 4
S712 : REPEAT	S726 : AUTO. S	S740 : 3
S713 : RESV	S727 : 19	S741 : 2
S714 : DEL	S728 : 18	S742 : 1
S715 : > 20	S729 : 17	

A

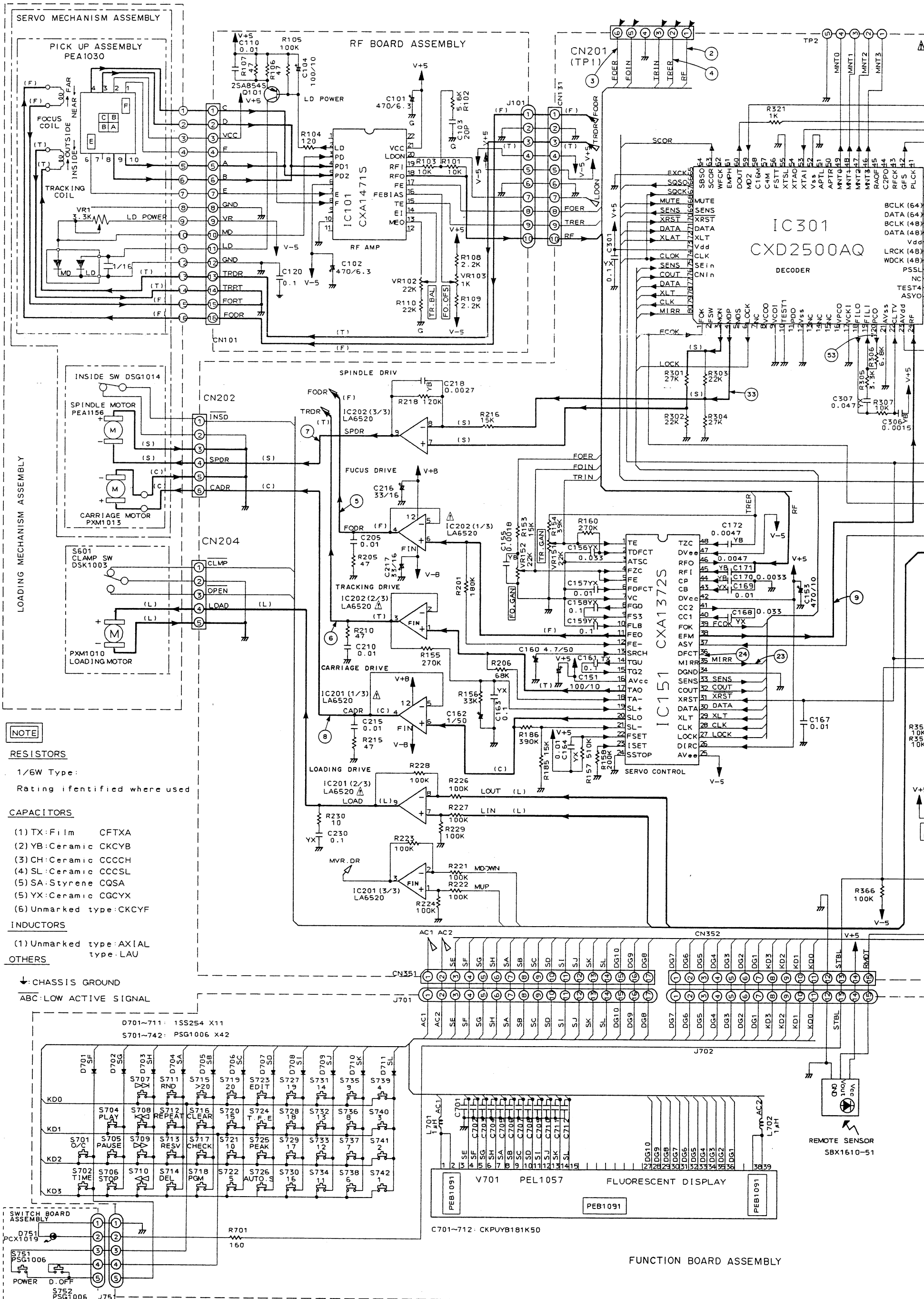
B

C

D

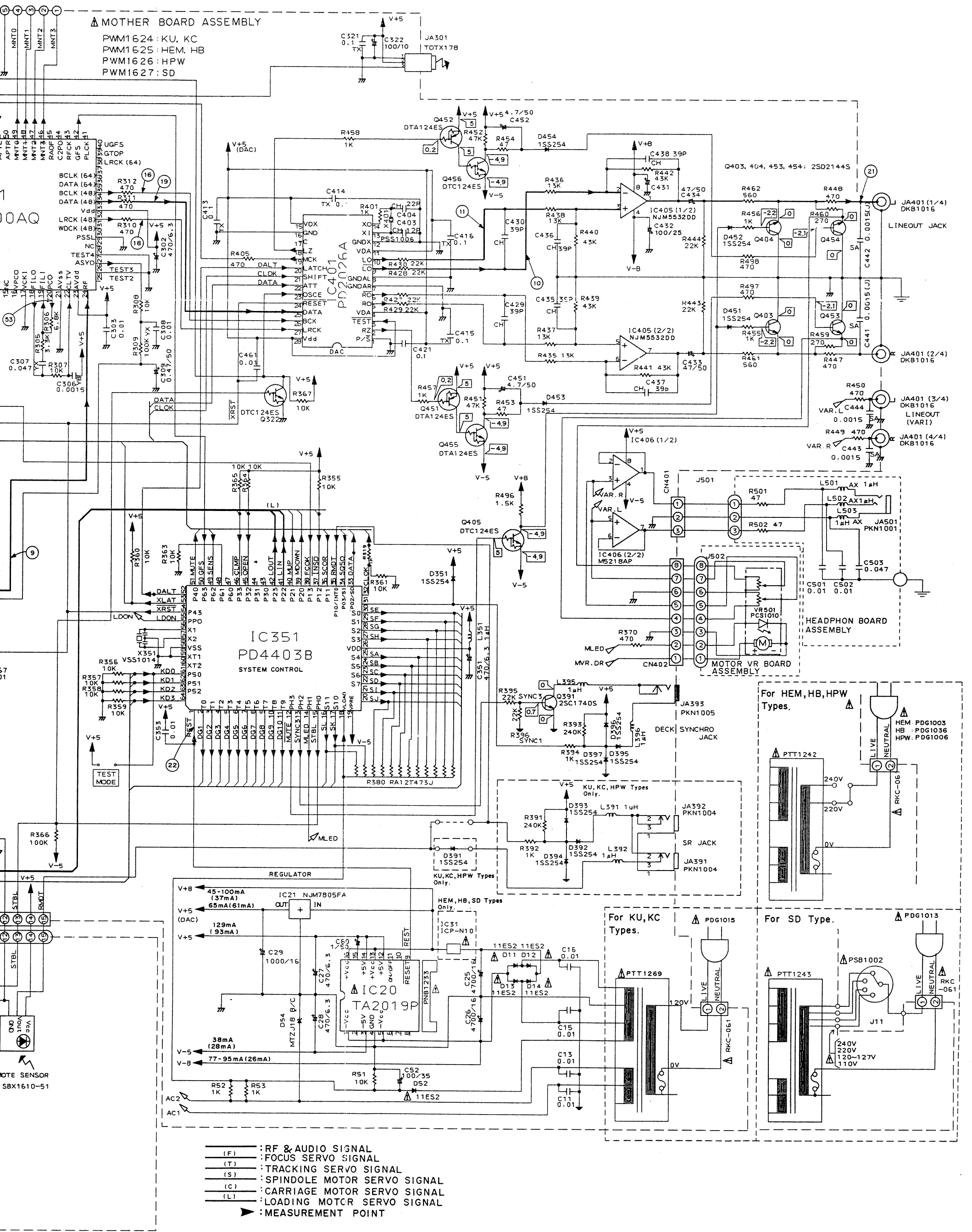
E

F

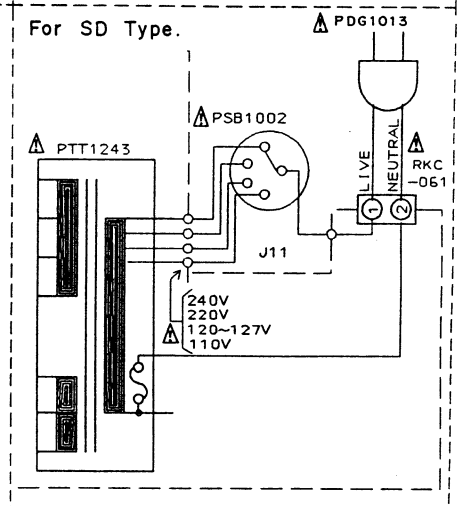
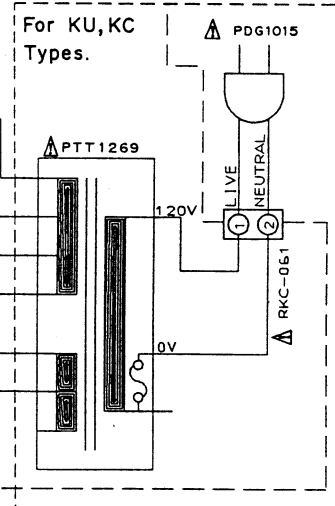
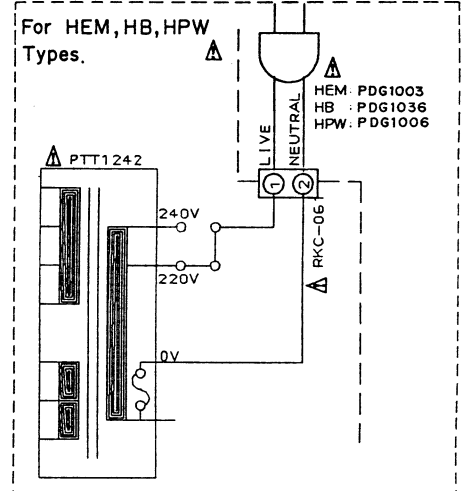


MOTHER BOARD ASSEMBLY

PWM1624: KU, KC
PWM1625: HEM, HB
PWM1626: HPW
PWM1627: SD



- : RF & AUDIO SIGNAL
- (F) : FOCUS SERVO SIGNAL
- (T) : TRACKING SERVO SIGNAL
- (S) : SPINDLE MOTOR SERVO SIGNAL
- (C) : CARRIAGE MOTOR SERVO SIGNAL
- (L) : LOADING MOTOR SERVO SIGNAL
- ▲ : MEASUREMENT POINT



IC151 (CXA1372S)

Pin No.	Volts	Pin No.	Volts
1	0	25	5.0
2	0	26	0
3	0	27	5.0
4	0	28	0
5	-0.3	29	0
6	0	30	-5.0
7	0.2	31	2.5
8	0	32	2.5
9	0	33	5.0
10	5	34	-1.5
11	0	35	-1.7
12	0	36	5.0
13	0	37	-0.7
14	1 to 0.3	38	-1.6
15	0	39	0
16	-4.0	40	0.2
17	1.3	41	-5.0
18	0	42	0
19	-5.0	43	0
20	5.0	44	0
21	5.0	45	0
22	5.0	46	0
23	5.0	47	0
24	5.0	48	0

IC101 (CXA1471S)

Pin No.	Volts
1	N. C
2	2.9
3	-4.7
4	0
5	0
6	-5.0
7	0
8	0
9	N. C
10	0
11	N. C
12	N. C
13	-0.9
14	-0.7
15	0
16	0
17	0
18	0.8
19	0
20	5.0
21	5.0
22	N. C

IC401 (PD2026A)

Pin No.	Volts	Pin No.	Volts
1	0	15	5.0
2	0.1	16	0
3	5.0	17	N. C. (5.0)
4	5.0	18	0.1
5	2.3	19	2.2
6	2.5	20	5.0
7	0	21	5.0
8	0	22	5.0
9	2.5	23	5.0
10	2.3	24	5.0
11	5.0	25	2.5
12	0	26	2.5
13	2.1	27	2.5
14	2.5	28	5.0

IC405 (NJM4558D-D)

Pin No.	Volts
1	-0.2
2	1.3
3	1.3
4	-9.4
5	1.3
6	1.3
7	-0.3
8	8.7

IC406 (M5218AP)

Pin No.	Volts
1	0
2	0
3	0
4	-4.9
5	0
6	0
7	0
8	5.1

IC21 (NJM7805FA)

Pin No.	Volts
1	9.0
2	0
3	5.0

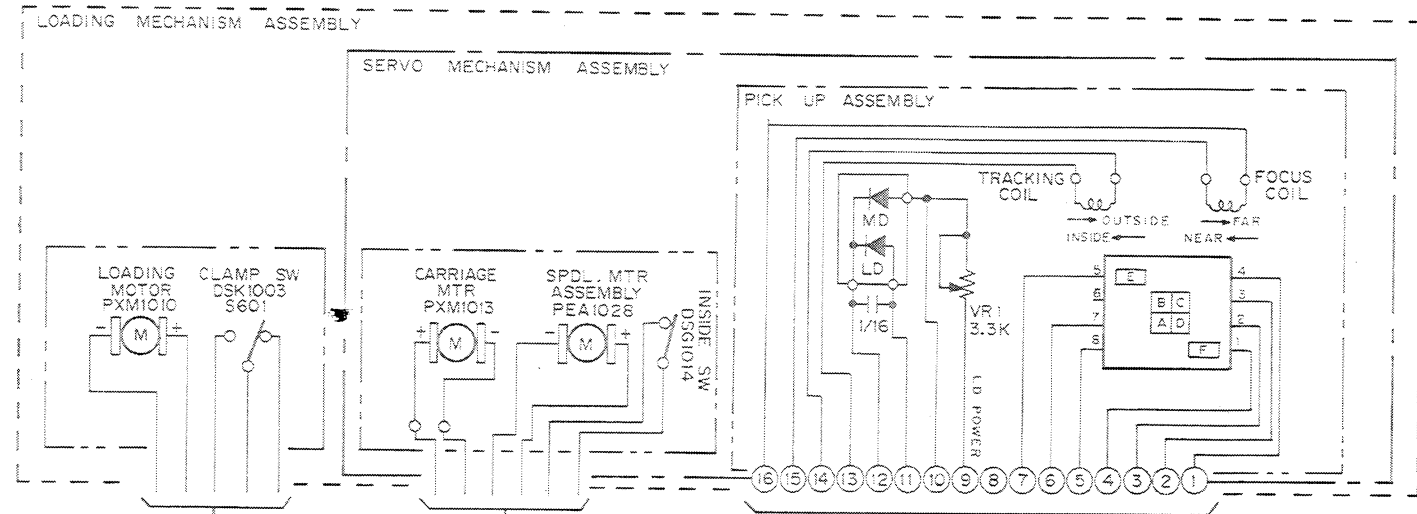
IC301
(CXD2500AQ)

Pin No.	Volts	Pin No.	Volts	Pin No.	Volts	Pin No.	Volts
1	5.0	21	0	41	2.5	61	0
2	2.1	22	2.5	42	5.0	62	2.5
3	5.0	23	5.0	43	2.5	63	0
4	2.6	24	2.5	44	0	64	0
5	2.2	25	0.2	45	5.0	65	0
6	5.0	26	0	46	4.4	66	3.3 to 4.6
7	0	27	2.5	47	0	67	5.0
8	5.0	28	0	48	0	68	0
9	0	29	0	49	0 to 0.3	69	2.1 to 3.0
10	0	30	0	50	1.2	70	5.0
11	2.1	31	1.3 to 2.2	51	1.2	71	5.0
12	0	32	2.5	52	0	72	5.0
13	1.0	33	5.0	53	2.5	73	5.0
14	0.9 to 1.3	34	2.5	54	2.5	74	5.0
15	0	35	2.5	55	0	75	5.0
16	2.0	36	2.5	56	2.9	76	0
17	0	37	2.5	57	2.5	77	5.0
18	2.5	38	2.5	58	2.5	78	5.0
19	2.4	39	0	59	5.0	79	5.0
20	2.4	40	5.0	60	2.5	80	0

IC351 (PD4403)

Pin No.	Volts	Pin No.	Volts	Pin No.	Volts	Pin No.	Volts
1	5.1	17	11.3 to 11.8	33	4.9	49	0.1
2	-22.5 to -23.5	18	-26.3	34	3.5 to 4.5	50	5.1
3	-22.5 to -23.5	19	-4.9	35	5.0	51	0
4	-22.5 to -23.5	20	-7.8 to -8.1	36	0.1	52	5.0
5	-22.5 to -23.5	21	-5.9 to -6.5	37	5.0	53	5.0
6	-22.5 to -23.5	22	-8.3 to -11.8	38	5.0	54	5.0
7	-22.5 to -23.5	23	-5.2 to -5.5	39	0	55	5.0
8	-22.5 to -23.5	24	-3.0 to -6.8	40	0	56	2.3
9	-22.5 to -23.5	25	-5.5 to -8.5	41	0	57	2.4
10	-22.5 to -23.5	26	5.0	42	0	58	0
11	-22.5 to -23.5	27	-19.4 to -19.7	43	N. C	59	0
12	5.0	28	-19.4 to -19.7	44	N. C	60	N. C
13	5.0	29	-14.0 to -17.8	45	5.0	61	0
14	4.6	30	-11.8 to -14.8	46	0	62	0
15	-1.5	31	4.9	47	N. C	63	0
16	14.3 to 14.8	32	4.9	48	0	64	0

• View from component side

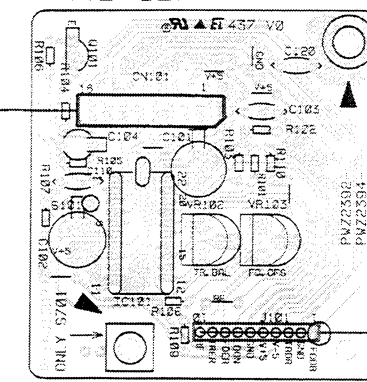


P.C.B. pattern diagram indication	Corresponding part symbol	Part name	P.C.B. pattern diagram indication	Corresponding part symbol	Part name
		Transistor			Ceramic capacitor
		FET			Mylar capacitor
		Diode			Styro capacitor
		Zener diode			Electrolytic capacitor (Non polarized)
		LED			Electrolytic capacitor (Polarized)
		Varactor			Power capacitor
		Test switch			Semi-fixed resistor
		Inductor			Resistor array
		Coil			Resistor
		Transformer			Resonator
		Filter			Thermistor

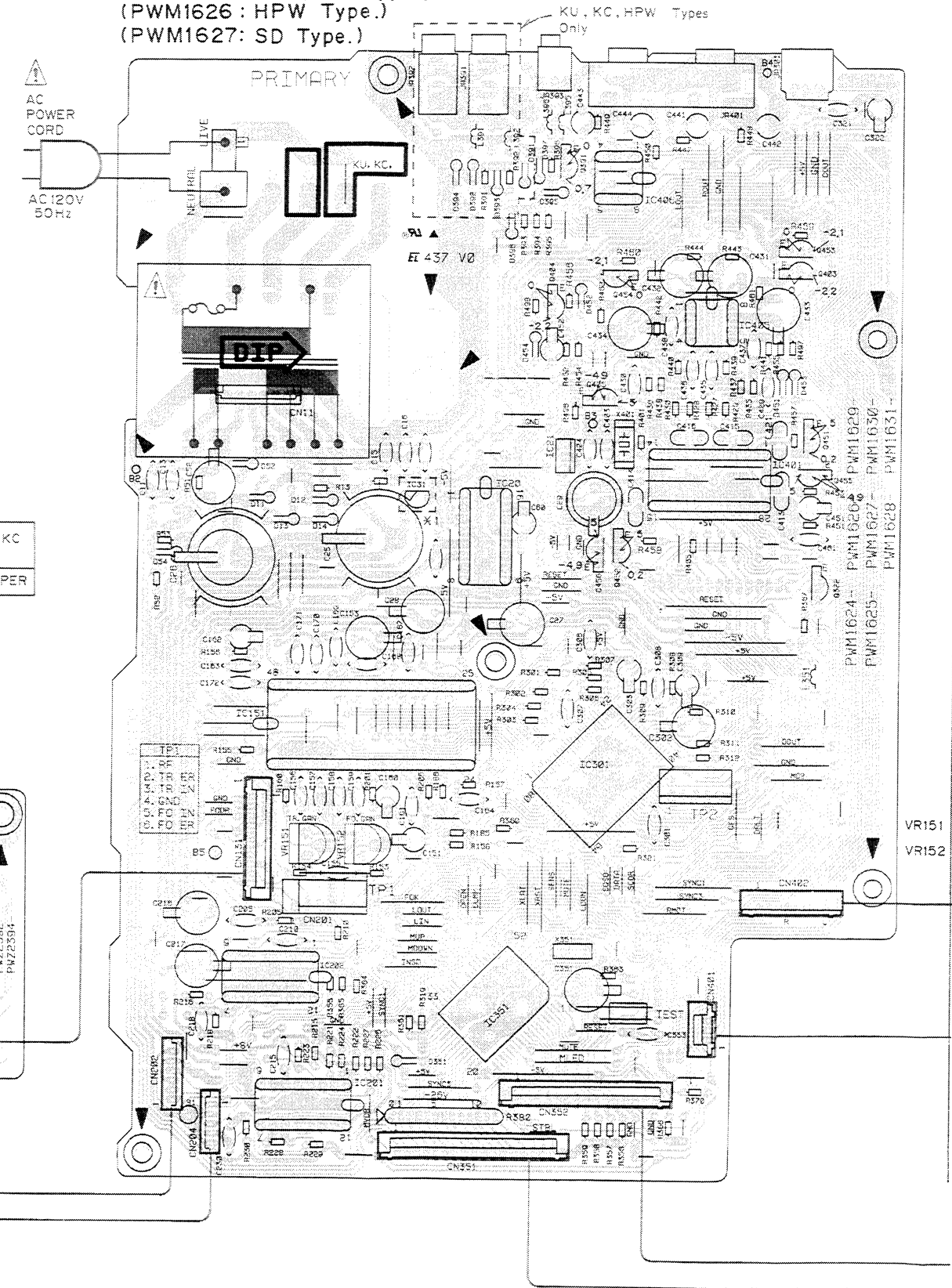
- This P.C.B. connection diagram is viewed from the parts mounted side.
- The parts which have been mounted on the board can be replaced with those shown with the corresponding wiring symbols listed in the above Table.
- The capacitor terminal marked with shows negative terminal.
- The capacitor marked with shows outside side.
- The transistor terminal marked with shows emitter.

× 1	HEM, HB	KU, KC
IC31	USED	JAMPER

RF BOARD ASSEMBLY

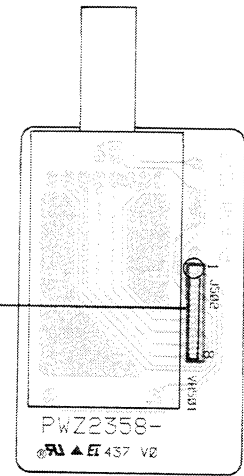


MOTHER BOARD ASSEMBLY
(PWM1624 : KU, KC Types.)
(PWM1625 : HEM, HB Types.)
(PWM1626 : HPW Type.)
(PWM1627: SD Type.)

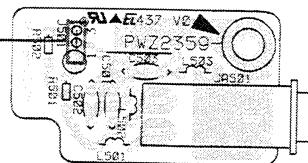


HPW Types

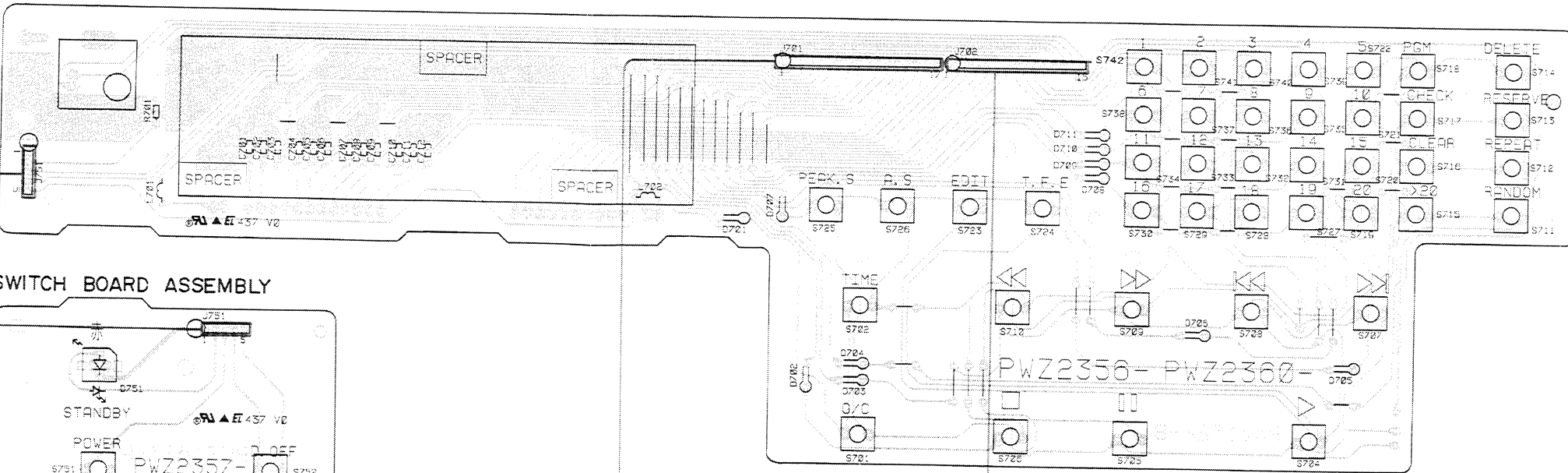
MOTOR VR BOARD ASSEMBLY



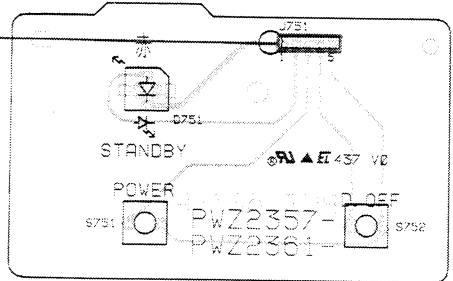
HEADPHONE BOARD ASSEMBLY



FUNCTION BOARD ASSEMBLY



SWITCH BOARD ASSEMBLY



Line Voltage Selection

Line voltage can be changed with the following steps.

1. Disconnect the AC power cord.
2. Remove the top cover.
3. Change the position of the jumper wire @ as follows.
4. Stick the line voltage on the rear panel.

Part No.	Description
AAX-193	220V label
AAX-192	240V label

Voltage	Jumper wire @ position
220V	⊕
240V	⊙

MOTHER BOARD ASSEMBLY

AC POWER CORD
AC220/240V
50/60Hz

PRIMARY

NEUTRAL LEV. LEVEL

HEM, HB, HP

Power Supply Section for HEM, HB, and HPW Types.

DIP

Power Supply Section for SD Type.

MOTHER BOARD ASSEMBLY

AC POWER CORD
AC110/120-127/
220/240V
50/60Hz

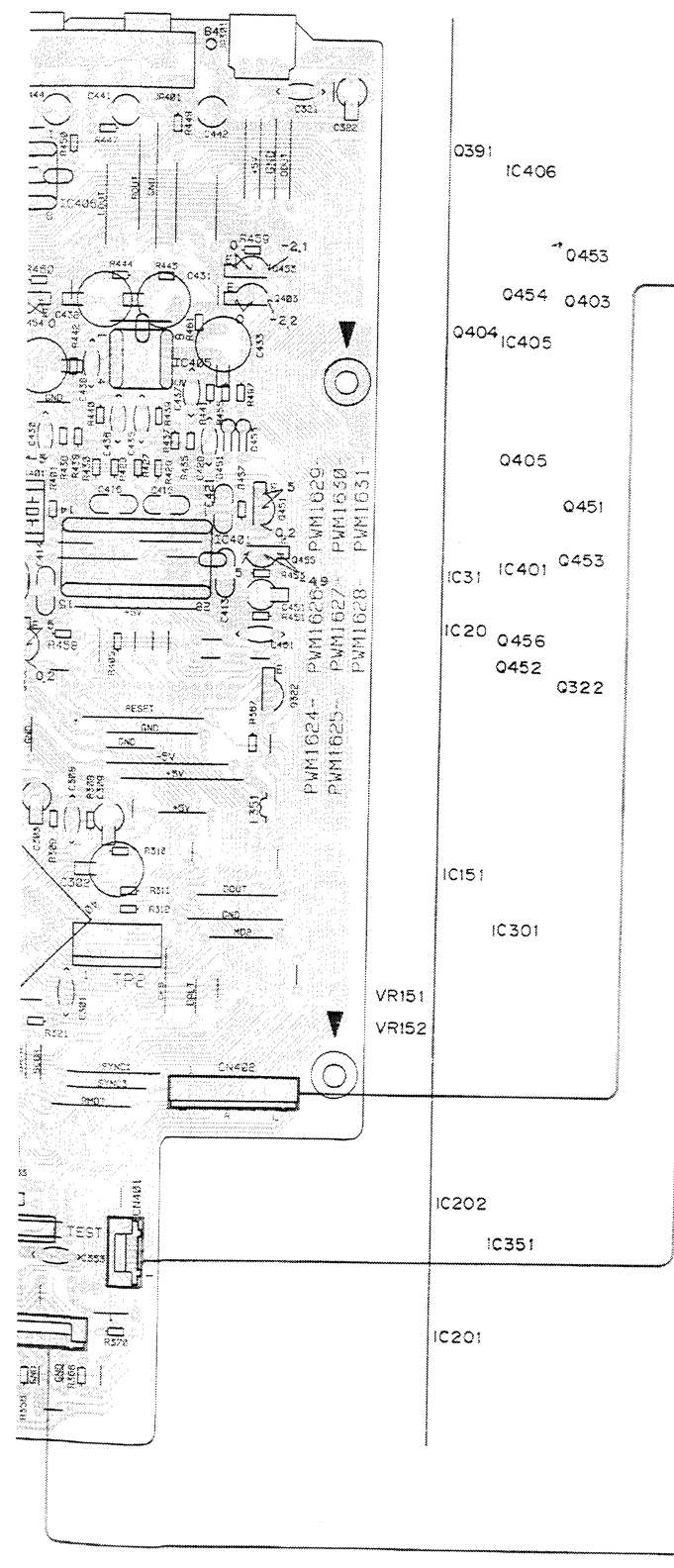
PRIMARY

NEUTRAL LEV. LEVEL

VOLTAGE SELECTOR

Power Supply Section for SD Type.

DIP

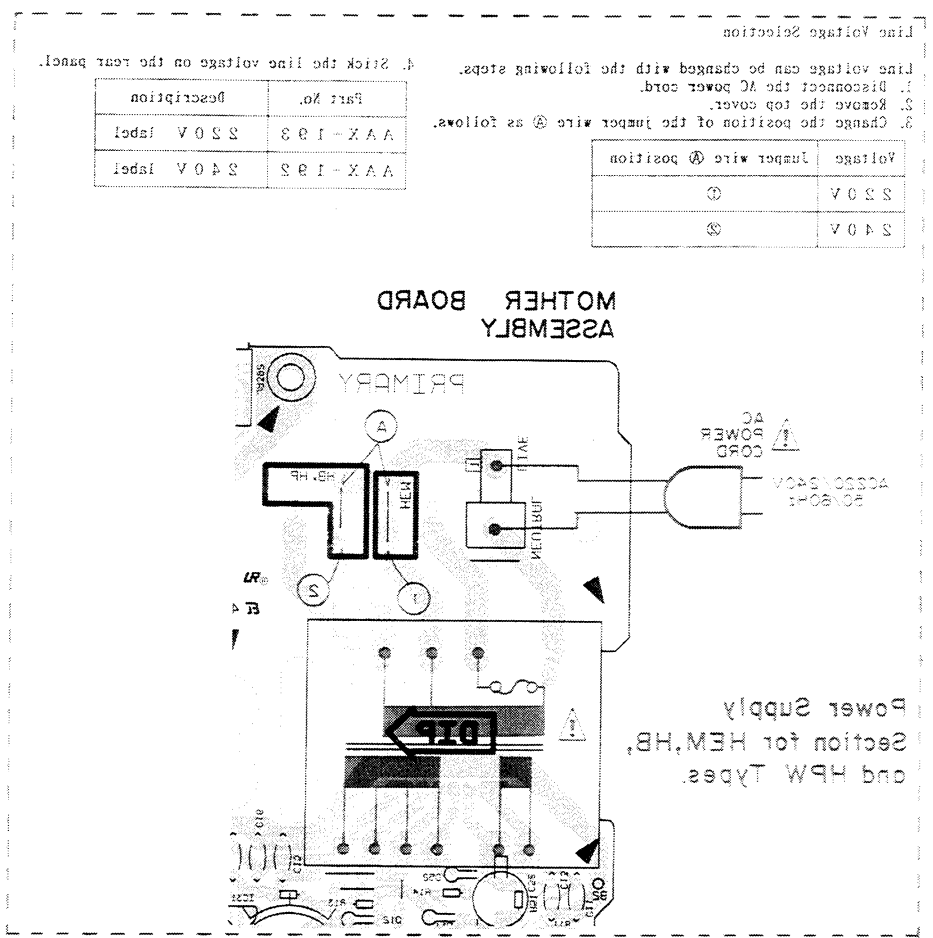
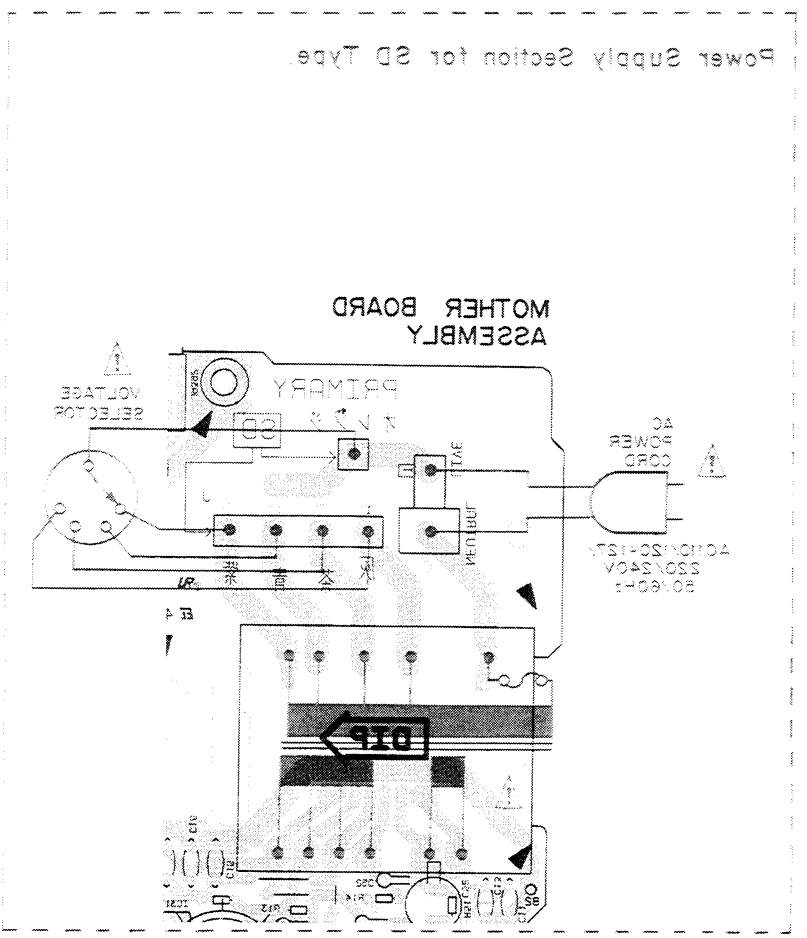


A

B

C

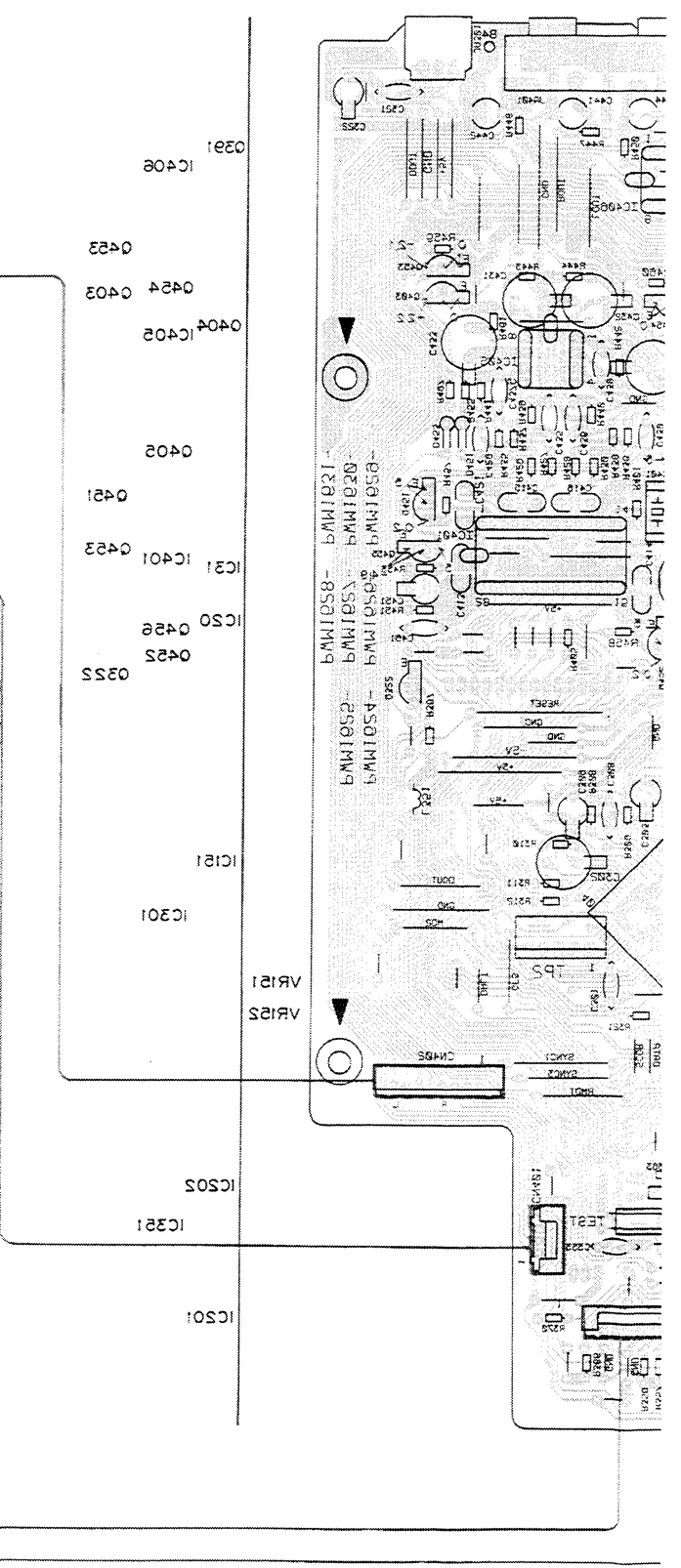
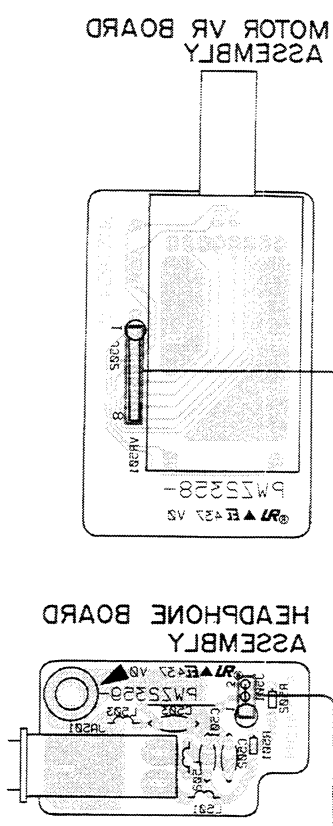
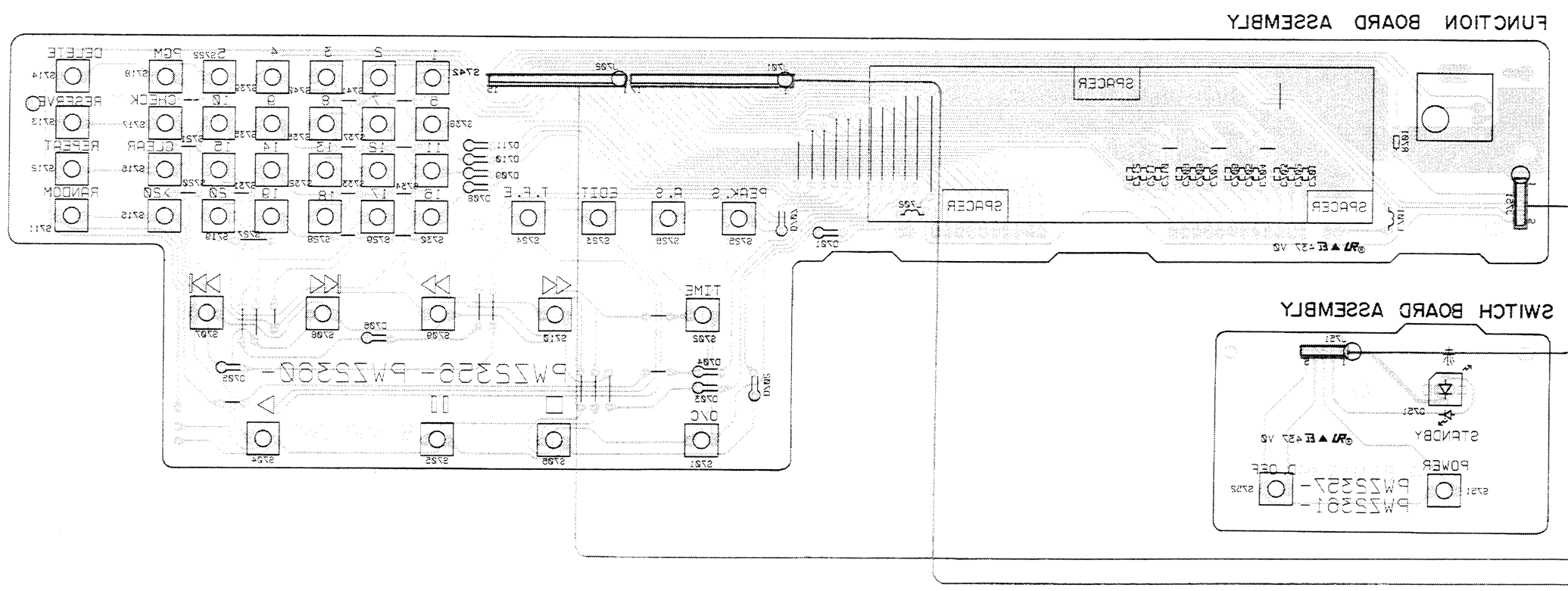
D



Part No.	Description
AA X-193	220 V label
AA X-192	240 V label

Voltage	Jumper wire @ position
240V	②
220V	①

Line Voltage Selection
 1. Disconnect the AC power cord.
 2. Remove the top cover.
 3. Change the position of the jumper wire ① as follows.
 4. Stick the line voltage on the rear panel.
 Line voltage can be changed with the following steps.



5. ADJUSTMENTS

5.1 Adjustment Methods

If a disc player is adjusted incorrectly or inadequately, it may malfunction or not work at all even though there is nothing at all wrong with the pickup or the circuitry. Adjust correctly following the adjustment procedure.

● Adjustment items/verification items and order

Step	Item	Test point	Adjustment location
1	Focus offset adjustment	TP1, Pin 6(FCS. ERR)	VR103(FCS. OFS)
2	Grating adjustment	TP1, Pin 2(TRK. ERR)	Grating adjustment slit
3	Tracking error balance adjustment	TP1, Pin 2(TRK. ERR)	VR102(TRK. BAL)
4	Pickup radial/tangential direction tilt adjustment	TP1, Pin 1(RF)	Radial tilt adjustment screw, Tangential tilt adjustment screw
5	RF level adjustment	TP1, Pin 1(RF)	VR1(RF level)
6	Focus servo loop gain adjustment	TP1, Pin 5(FCS. IN) TP1, Pin 6(FCS. ERR)	VR152(FCS. GAN)
7	Tracking servo loop gain adjustment	TP1, Pin 3(TRK. IN) TP1, Pin 2(TRK. ERR)	VR151(TRK. GAN)
8	Focus error signal verification	TP1, Pin 6(FCS. ERR)	—————

● Abbreviation table

FCS. ERR	:Focus Error
FCS. OFS	:Focus Offset
TRK. ERR	:Tracking Error
TRK. BAL	:Tracking Balance
FCS. GAN	:Focus Gain
TRK. GAN	:Tracking Gain
FCS. IN	:Focus In
TRK. IN	:Tracking In

● Measuring instruments and tools

1. Dual trace oscilloscope (10:1 probe)
2. Low-frequency oscillator
3. Test disc (YEDS-7)
4. 12- cm disc (with at least about 70 minutes recording)
5. Low-pass filter (39 k Ω + 0.001 μ F)
6. Resistor (100 k Ω)
7. Standard tools

● Test point and adjustment variable resistor positions

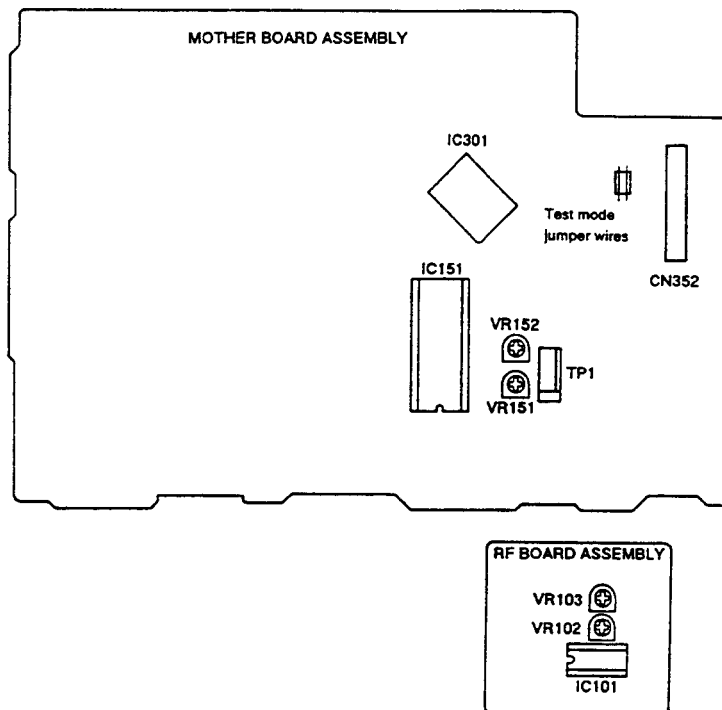


Figure 1 Adjustment Locations

● Notes

1. Use a 10:1 probe for the oscilloscope.
2. All the knob positions (settings) for the oscilloscope in the adjustment procedures are for when a 10:1 probe is used.

● Test mode

These models have a test mode so that the adjustments and checks required for service can be carried out easily. When these models are in test mode, the keys on the front panel work differently from normal. Adjustments and checks can be carried out by operating these keys with the correct procedure. For these models, all adjustments are carried out in test mode.

[Setting these models to test mode]

How to set this model into test mode.

1. Unplug the power cord from the AC socket.
2. Short the test mode jumper wires. (See Figure 1.)
3. Plug the power cord back into the AC socket.

When the test mode is set correctly, the display is different from what it usually is when the power is turned on. If the display is still the same as usual, test mode has not been set correctly, so repeat Steps 1 – 3.

[Release from test mode]

Here is the procedure for releasing the test mode:

1. Press the STOP key and stop all operations.
2. Unplug the power cord from the AC socket.

[Operations of the keys in test mode]

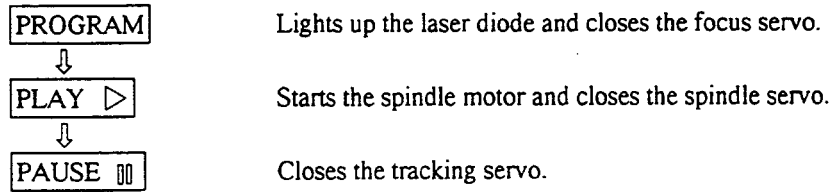
Code	Key name	Function in test mode	Explanation
	PROGRAM	Focus servo close	<p>The laser diode is lit up and the focus actuator is lowered, then raised slowly and the focus servo is closed at the point where the objective lens is focused on the disc.</p> <p>With the player in this state, if you lightly rotate the stopped disc by hand, you can hear the sound the focus servo.</p> <p>If you can hear this sound, the focus servo is operating correctly. If you press this key with no disc mounted, the laser diode lights up, the focus actuator is pulled down, then the actuator is raised and lowered twice and returned to its original position.</p>
▷	PLAY	Spindle servo ON	<p>Starts the spindle motor in the clockwise direction and when the disc rotation reaches the prescribed speed (about 500 rpm at the inner periphery), sets the spindle servo in a closed loop.</p> <p>Be careful. Pressing this key when there is no disc mounted makes the spindle motor run at the maximum speed.</p> <p>If the focus servo does not go correctly into a closed loop or the laser light shines on the mirror section at the outermost periphery of the disc, the same symptom is occurred.</p>
□□	PAUSE	Tracking servo close/open	<p>Pressing this key when the focus servo and spindle servo are operating correctly in closed loops puts the tracking servo into a closed loop, displays the track number being played back and the elapsed time on the front panel, and outputs the playback signal.</p> <p>If the elapsed time is not displayed or not counted correctly or the audio is not played back correctly, it may be that the laser is shining on the section with no sound recorded at the outer edge of the disc, that something is out of adjustment, or that there is some other problem.</p> <p>This key is a toggle key and open/close the tracking servo alternately. This key has no effect if no disc is mounted.</p>

Code	Key name	Function in test mode	Explanation
◀◀	TRACK SEARCH REV	Carriage reverse (inwards)	Moves the pickup position toward the inner diameter of the disc. When this key is pressed with the tracking servo in a closed loop, the tracking servo automatically goes into an open loop. Since the motor does not automatically stop at the mechanical end point in test mode, be careful with this operation.
▶▶	TRACK SEARCH FWD	Carriage forward (outwards)	Moves the pickup position toward the outer diameter of the disc. When this key is pressed with the tracking servo in a closed loop, the tracking servo automatically goes into an open loop. Since the motor does not automatically stop at the mechanical end point in test mode, be careful with this operation.
□	STOP	Stop	Switches off all the servos and initialized. The pickup remains where it was when this key was pressed.
△	OPEN/CLOSE	Disc tray open/close	Open/close the disc tray. This key is a toggle key and open/close tray alternately. Pressing this key when the disc is turning stops the disc, then opens the tray. This key operation does not affect the position of the pickup.

[How to play back a disc in test mode]

In test mode, since the servos operate independently, playing back a disc requires that you operate the keys in the correct order to close the servos.

Here is the key operation sequence for playing back a disc in test mode.



Wait at least 2-3 seconds between each of these operations.

1. Focus Offset Adjustment

● Objective	Sets the DC offset for the focus error amp.		
● Symptom when out of adjustment	The model does not focus in and the RF signal is dirty.		
● Measurement instrument connections	Connect the oscilloscope to TP1, Pin 6 (FCS. ERR) [Settings] 5 mV/division 10 ms/division DC mode	● Player state ● Adjustment location ● Disc	Test mode, stopped (just the Power switch on) RF Board Assembly VR103 (FCS. OFS) None needed
[Procedure]			
Adjust VR103 (FCS. OFS) so that the DC voltage at TP1, Pin 6 (FCS. ERR) is -150 ± 50 mV.			

2. Grating Adjustment

<ul style="list-style-type: none"> ● Objective ● Symptom when out of adjustment 	To align the tracking error generation laser beam spots to the optimum angle on the track. Play does not start, track search is impossible, tracks are skipped.		
<ul style="list-style-type: none"> ● Measurement instrument connections 	Connect the oscilloscope to TP1, Pin 2 (TRK. ERR) via a low pass filter. (See Figure 2) [Settings] 50 mV/division 5 ms/division DC mode	<ul style="list-style-type: none"> ● Player state ● Adjustment location ● Disc 	Test mode, focus and spindle servos closed and tracking servo open Pickup grating adjustment slit 12-cm disc. (YEDS-7 can not be used.)

[Procedure]

1. Move the pickup to the outer edge of the disc with the MANUAL SEARCH FWD $\triangleright\triangleright$ or REV $\triangleleft\triangleleft$ key.
2. Press the PROGRAM key, then the PLAY \triangleright key in that order to close the focus servo then the spindle servo.
3. Insert an ordinary screwdriver into the grating adjustment slit and adjust the grating to find the null point. For more details, see the next page.
4. If you slowly turn the screwdriver clockwise from the null point, the amplitude of the wave gradually increases, then if you continue turning the screwdriver, the amplitude of the wave becomes smaller again. Turn the screwdriver clockwise from the null point and set the grating to the first point where the wave amplitude reaches its maximum.

Reference : Figure 3 shows the relation between the angle of the tracking beam with the track and the waveform.

Note : The amplitude of the tracking error signal is about 3 V_{p-p} (when a 39 k Ω + 0.001 μ F low pass filter is used). If this amplitude is extremely small (2 V_{p-p} or less), the objective lens or the pickup malfunction may be the cause. If the difference between the amplitude of the error signal at the innermost edge and outermost edge of the disc is more than 10%, the grating is not adjusted to the optimum point, so adjust it again.

5. Return the pickup to more or less midway across the disc with the MANUAL SEARCH REV $\triangleleft\triangleleft$ key, press the PAUSE \square key and double check that the track number and elapsed time are displayed on the front panel. If they are not displayed at this time or the elapsed time changes irregularly, double check the null point and adjust the grating again.

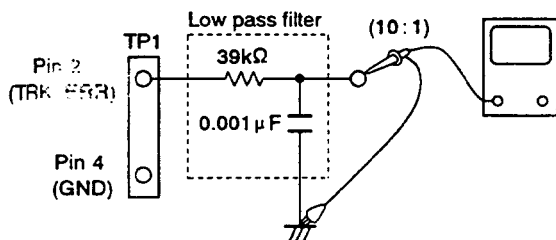
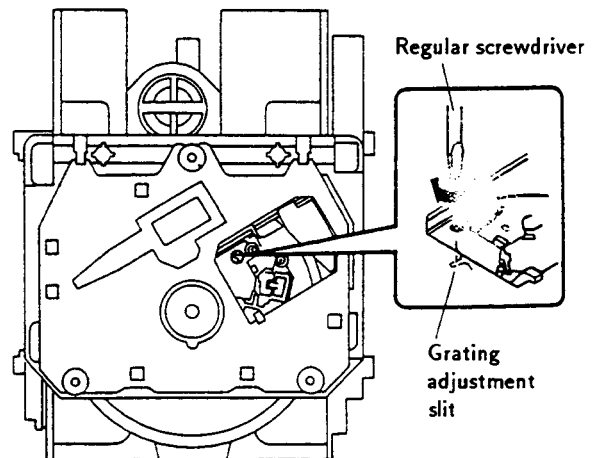


Figure 2



Adjustment locations

[How to find the null point]

When you insert the regular screwdriver into the slit for the grating adjustment and change the grating angle, the amplitude of the tracking error signal at TP1, Pin 2 changes. Within the range for the grating, there are five or six locations where the amplitude of the wave reaches a minimum. Of these five or six locations, there is only one at which the envelope of the waveform is smooth. This location is where the three laser beams divided by the grating are all right above the same track. (See Figure 3.)

This point is called the null point. When adjusting the grating, this null point is found and used as the reference position.

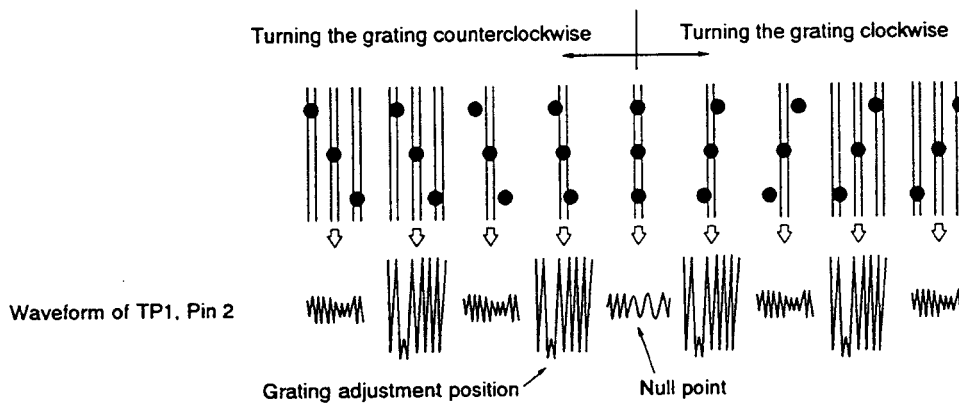
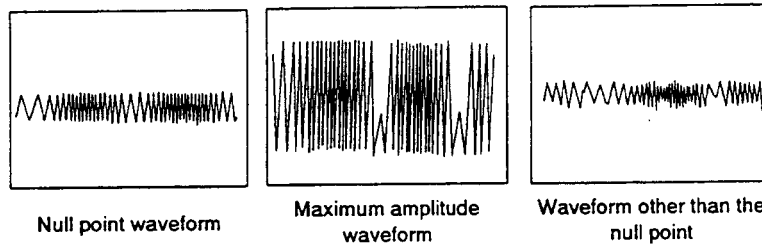


Figure 3

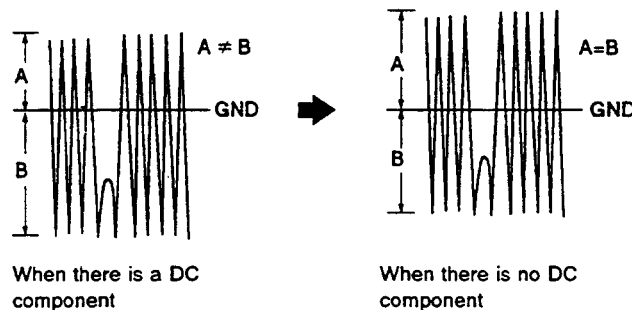


3. Tracking Error Balance Adjustment

<ul style="list-style-type: none"> ● Objective ● Symptom when out of adjustment 	To correct for the variation in the sensitivity of the tracking photodiode. Play does not start or track search is impossible.		
<ul style="list-style-type: none"> ● Measurement instrument connections 	Connect the oscilloscope to TP1, Pin 2 (TRK. ERR). This connection may be via a low pass filter. [Settings] 50 mV/division 5 ms/division DC mode	<ul style="list-style-type: none"> ● Player state ● Adjustment location ● Disc 	Test mode, focus and spindle servos closed and tracking servo open RF Board Assembly VR102 (TRK. BAL) YEDS-7

[Procedure]

1. Move the pickup to midway across the disc (R=35 mm) with the MANUAL SEARCH FWD $\triangleright\triangleright$ or REV $\triangleleft\triangleleft$ key.
2. Press the PROGRAM key, then the PLAY \triangleright key in that order to close the focus servo then the spindle servo.
3. Line up the bright line (ground) at the center of the oscilloscope screen and put the oscilloscope into DC mode.
4. Adjust VR102 (TRK. BAL) so that the positive amplitude and negative amplitude of the tracking error signal at TP1, Pin 2 (TRK. ERR) are the same (in other words, so that there is no DC component).



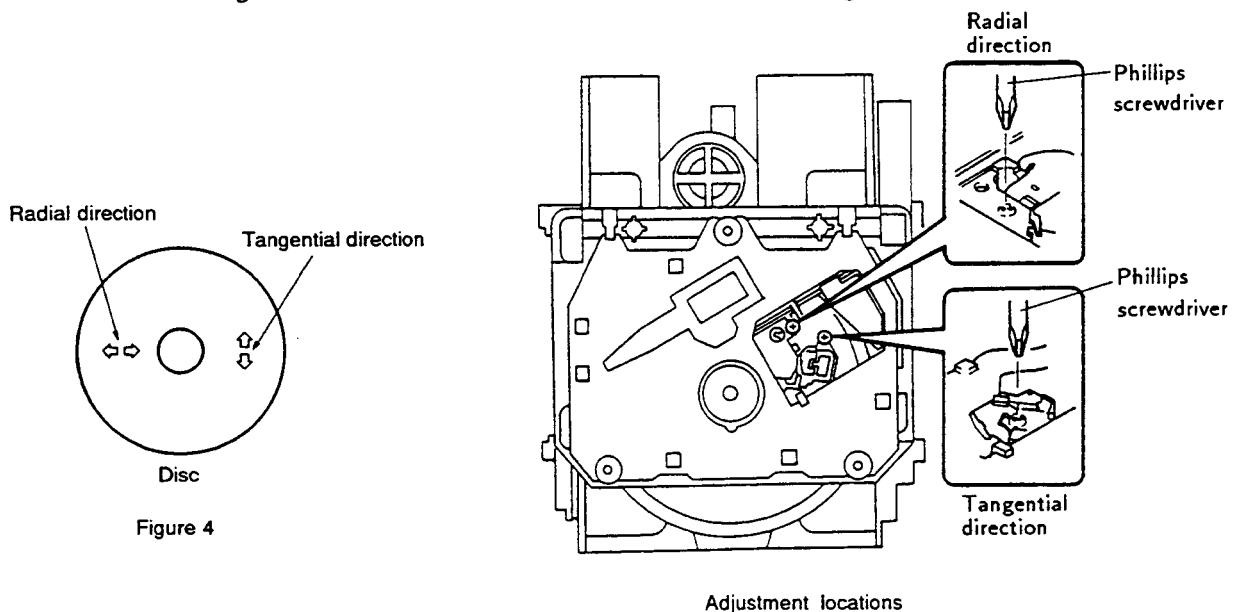
4. Pickup Radial/Tangential Tilt Adjustment

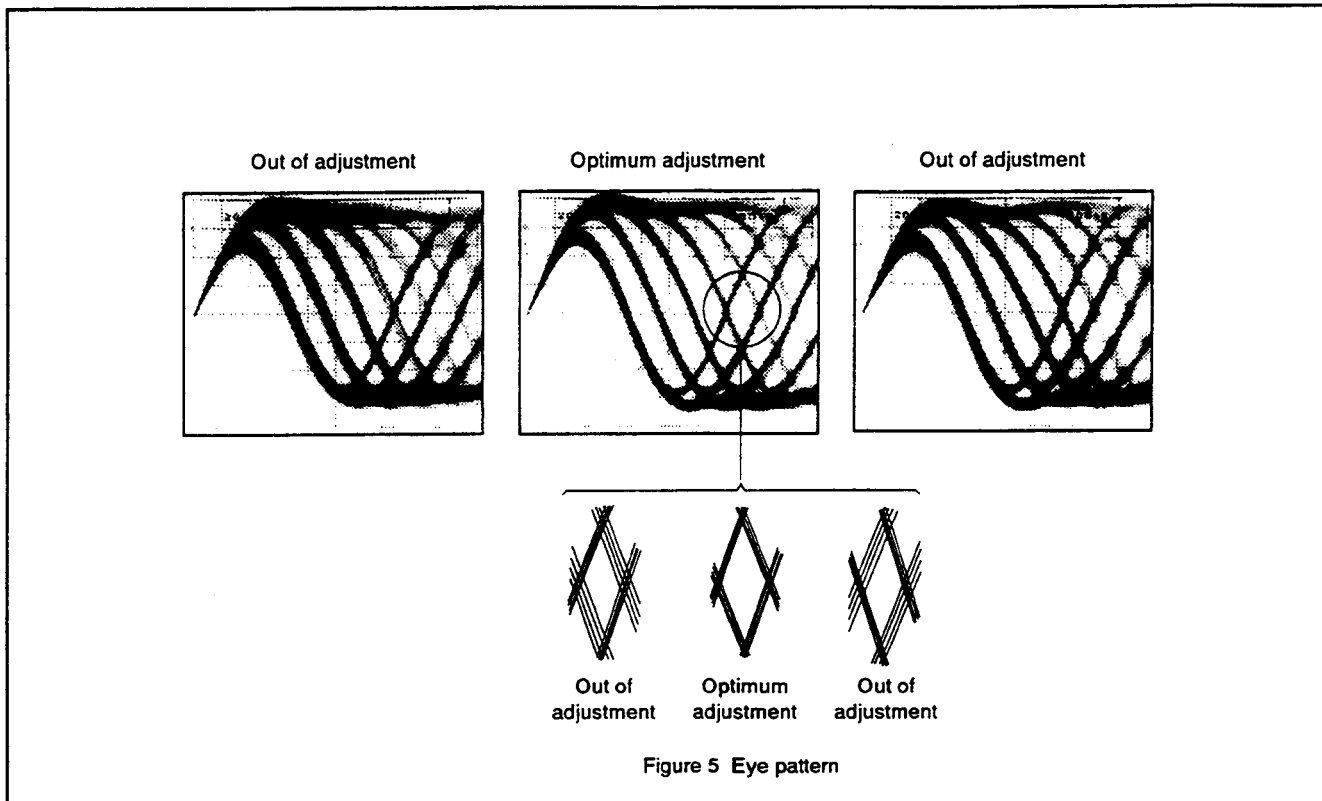
●Objective	To adjust the angle of the pickup relative to the disc so that the laser beams are shone straight down into the disc for the best read out of the RF signals.		
●Symptom when out of adjustment	Sound broken;some discs can be played but not others.		
●Measurement instrument connections	Connect the oscilloscope to TP1, Pin 1 (RF). [Settings] 20 mV/division 200 ns/division AC mode	●Player state ●Adjustment location ●Disc	Test mode, play Pickup radial tilt adjustment screw and tangential tilt adjustment screw 12 - cm disc. (YEDS-7 can not be used.)

[Procedure]

1. Press the MANUAL SEARCH FWD >> or REV << key so that the radial/tangential tilt screws can be adjusted. Press the PROGRAM key, the PLAY > key, then the PAUSE || key in that order to close the focus servo then the spindle servo and put the player into play mode.
2. First, adjust the radial tilt adjustment screw with a Phillips screwdriver so that the eye pattern (the diamond shape at the center of the RF signal) can be seen the most clearly.
3. Next, adjust the tangential tilt adjustment screw with a Phillips screwdriver so that the eye pattern (the diamond shape at the center of the RF signal) can be seen the most clearly(Figure 5).
4. Adjust the radial tilt adjustment screw and the tangential tilt adjustment screw again so that the eye pattern can be seen the most clearly. As necessary, adjust the two screws alternately so that the eye pattern can be seen the most clearly.
5. When the adjustment is completed, lock the radial and tangential adjustment screw.

Note:Radial and tangential mean the directions relative to the disc shown in Figure 4.





5. RF Level Adjustment

● Objective	To optimize the playback RF signal amplitude		
● Symptom when out of adjustment	No play or no search		
● Measurement instrument connections	Connect the oscilloscope to TP1, Pin 1 (RF). [Settings] 50 mV/division 10 ms/division AC mode	● Player state ● Adjustment location ● Disc	Test mode, play Pick up Assembly VR1 (laser power) YEDS-7
[Procedure]			
<ol style="list-style-type: none"> 1. Move the pickup to midway across the disc (R=35 mm) with the MANUAL SEARCH FWD >> or REV << key, then press the PROGRAM key, then the PLAY > key in that order to close the respective servos and put the player into play mode. 2. Adjust VR1 (laser power) so that the RF signal amplitude is $1.2 V_{p-p} \pm 0.1 V$. 			

6. Focus Servo Loop Gain Adjustment

● Objective	To optimize the focus servo loop gain.		
● Symptom when out of adjustment	Playback does not start or focus actuator noisy.		
● Measurement instrument connections	See figure 6. [Settings] CH1 CH2 20 mV/division 5 mV/division X-Y mode	● Player state ● Adjustment location ● Disc	Test mode, play Mother Board Assembly VR152 (FCS. GAN) YEDS-7

[Procedure]

1. Set the AF generator output to 1.2 kHz and 1 Vp-p.
2. Press the MANUAL SEARCH FWD ▷▷ or REV ◁◁ key to move the pickup to halfway across the disc (R=35 mm), then press the PROGRAM key, the PLAY ▷ key, then the PAUSE ◻◻ key in that order to close the corresponding servos and put the player into play mode.
3. Adjust VR152 (FCS. GAN) so that the Lissajous waveform is symmetrical about the X axis and the Y axis.

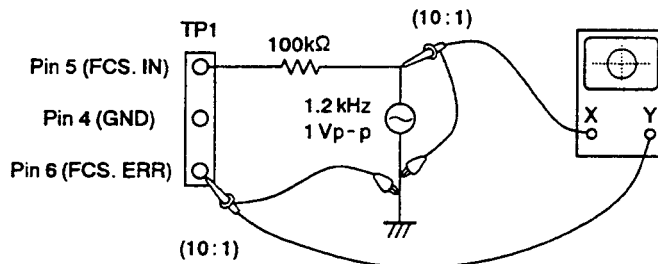
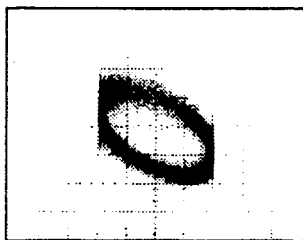
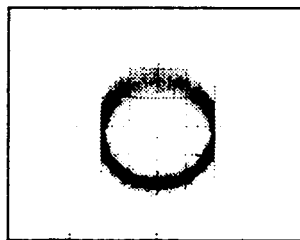


Figure 6

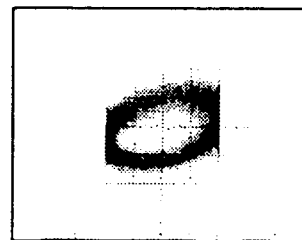
Focus Gain Adjustment



Higher gain



Optimum gain



Lower gain

7. Tracking Servo Loop Gain Adjustment

● Objective	To optimize the tracking servo loop gain.		
● Symptom when out of adjustment	Playback does not start, during searches the actuator is noisy, or tracks are skipped.		
● Measurement instrument connections	See Figure 7.	● Player state	Test mode, play
	[Settings] CH1 CH2 50 mV/division 20 mV/division X - Y mode	● Adjustment location ● Disc	Mother Board Assembly VR151 (TRK. GAN) YEDS-7

[Procedure]

1. Set the AF generator output to 1.2 kHz and 2 Vp-p.
2. Press the MANUAL SEARCH FWD >> or REV << key to move the pickup to halfway across the disc (R=35 mm), then press the PROGRAM key, the PLAY > key, then the PAUSE || key in that order to close the corresponding servos and put the player into play mode.
3. Adjust VR151 (TRK. GAN) so that the Lissajous waveform is symmetrical about the X axis and the Y axis.

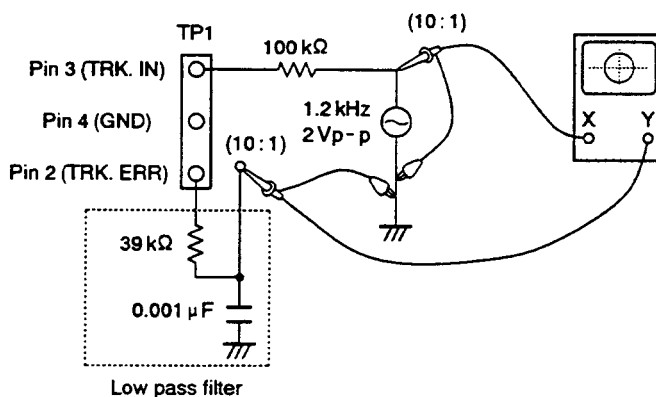
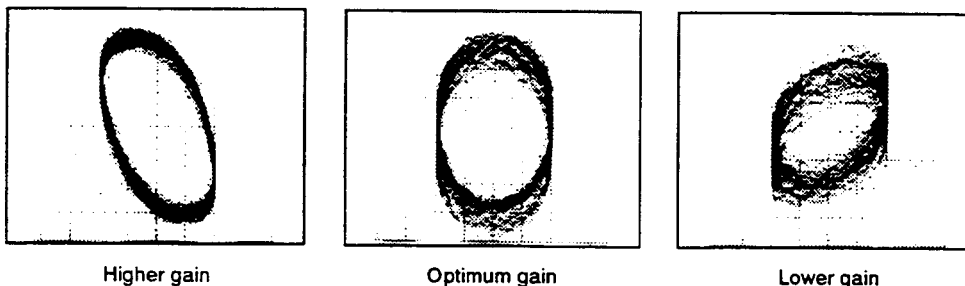


Figure 7

Tracking Gain Adjustment



Higher gain

Optimum gain

Lower gain

8. Focus Error Signal (Focus S Curve) Verification

<ul style="list-style-type: none"> ● Objective ● Symptom when out of adjustment 	To judge whether the pickup is ok or not by observing the focus error signal. The pickup is judged from the amplitude of the tracking error signal (as discussed in the section on adjusting the tracking error balance) and the waveform for the focus error signal.		
<ul style="list-style-type: none"> ● Measurement instrument connections 	Connect the oscilloscope to TP1, Pin 6 (FCS. ERR). [Settings] 100 mV/division 5 ms/division DC mode	<ul style="list-style-type: none"> ● Player state ● Adjustment location ● Disc 	Test mode, stop None YEDS-7

[Procedure]

1. Connect TP1 Pin 5 to ground.
2. Mount the disc.
3. While watching the oscilloscope screen, press the PROGRAM key and observe the waveform in Figure 8 for a moment. Verify that the amplitude is at least 2.5 Vp-p and that the positive and negative amplitude are about equal. Since the waveform is only output for a moment when the PROGRAM key is pressed, press this key over and over until you have checked the waveform.

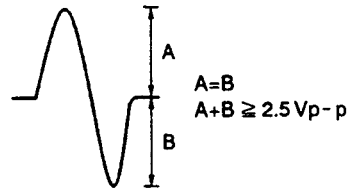


Figure 8

[Judging the pickup]

Do not judge the pickup until all the adjustments have been made correctly. In the following cases, there may be something wrong with the pickup.

1. The tracking error signal amplitude is extremely small (less than 2 Vp-p).
2. The focus error signal amplitude is extremely small (less than 2.5 Vp-p).
3. The positive and negative amplitudes of the focus error signal are extremely asymmetrical (2 : 1 ratio or more).
4. The RF signal is too small (less than 0.8 Vp-p) and even if VR1 (laser power) is adjusted, the RF signal can not be brought up to the standard level.

5. REGLAGES

5.1 Méthodes de réglage

Si le lecteur CD est mal réglé, il risque de ne plus fonctionner normalement, voire ne plus fonctionner du tout, même si le capteur et la circuiterie en présentent aucune anomalie. Par conséquent, ajuster le lecteur correctement en suivant les démarches de réglage.

● Points de réglage/Point et ordre de vérification

Etape	Point	Point d'essai	Emplacement du réglage
1	Réglage du décalage de la mise au point	TP1, Broche 6(FCS. ERR)	VR103(FCS. OFS)
2	Réglage du réseau de diffraction	TP1, Broche 2(TRK. ERR)	Fente de réglage du réseau de diffraction
3	Réglage d'équilibrage d'erreur d'alignement	TP1, Broche 2(TRK. ERR)	VR102(TRK. BAL)
4	Réglage d'inclinaison radiale/tangentielle du capteur	TP1, Broche 1(RF)	Vis de réglage d'inclinaison radiale, vis de réglage d'inclinaison tangentielle
5	Réglage du niveau RF	TP1, Broche 1(RF)	VR1 (niveau RF)
6	Réglage de gain de boucle asservie de la mise au point	TP1, Broche 5(FCS. IN) TP1, Broche 6(FCS. ERR)	VR152(FCS. GAN)
7	Réglage de gain de boucle asservie de l'alignement	TP1, Broche 3(TRK. IN) TP1, Broche 2(TRK. ERR)	VR151(TRK. GAN)
8	Vérification du signal d'erreur de la mise au point	TP1, Broche 6(FCS. ERR)	_____

● Tableau des abréviations

FCS. ERR	:Erreur de mise au point
FCS. OFS	:Décalage de mise au point
TRK. ERR	:Erreur d'alignement
TRK. BAL	:Équilibrage d'erreur d'alignement
FCS. GAN	:Gain de mise au point
TRK. GAN	:Gain d'alignement
FCS. IN	:Mise au point correcte
TRK. IN	:Alignement correct

● Instruments de mesure et outils

1. Oscilloscope cathodique à deux faisceaux (sonde 10 : 1)
2. Oscillateur de basse fréquence
3. Disque d'essai (YEDS- 7)
4. Disque de 12- cm (avec au moins 70 minutes d'enregistrement)
5. Filtre passe-bas (39 k Ω + 0,001 μ F)
6. Résistance (100 k Ω)
7. Outils conventionnels

● Point d'essai et positions de réglage de la résistance variable

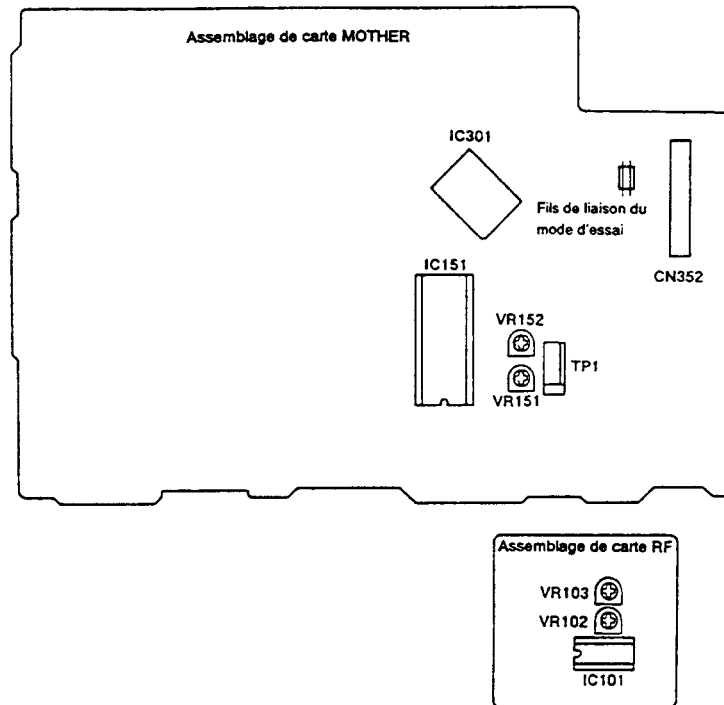


Figure 1 Emplacement des réglages

● Remarques

1. Utiliser une sonde 10:1 pour l'oscilloscope.
2. Toutes les positions (réglages) des boutons de l'oscilloscope, dans les démarches de réglage, sont conçues pour l'usage d'une sonde 10:1.

● Mode d'essai

Ces modèles sont munis d'un mode d'essai, de façon que les réglages requis à la réparation puissent être effectués aisément. Quand ces modèles sont en mode d'essai, les touches du panneau avant ne fonctionnent pas comme à l'ordinaire. Les réglages et les vérifications peuvent s'effectuer par l'enclenchement de ces touches, à conditions de suivre les démarches requises. Dans le cas de ces modèles, tous les réglages sont réalisés en mode d'essai.

[Mise en mode d'essai]

Voici la manière de mettre le modèle en mode d'essai.

1. Débrancher le cordon d'alimentation de la prise secteur.
2. Court-circuiter les fils de liaison du mode d'essai. (Voir Figure 1.)
3. Rebrancher le cordon d'alimentation dans la prise secteur.

Quand le mode d'essai est correctement réglé, l'affichage est différent de celui qui apparaît généralement à la mise sous tension. Si l'affichage reste le même, le mode d'essai n'a pas été réglé correctement. Dans ce cas, répéter les étapes 1 à 3.

[Pour sortir du mode d'essai]

Voici la procédure pour sortir du mode d'essai.

1. Appuyer sur la touche STOP pour arrêter toutes les opérations.
2. Débrancher le cordon d'alimentation de la prise secteur.

[Fonctionnement des touches en mode d'essai]

Code	Nom de la touche	Fonction en mode d'essai	Explications
	PROGRAM	Fermeture du circuit asservi de la mise au point	<p>La diode laser s'allume et l'actuateur de la mise au point s'abaisse, puis se relève lentement et le circuit servo de la mise au point se ferme au point où la lentille de l'objectif se focalise sur le disque.</p> <p>Quand l'appareil est dans cet état, si l'on fait légèrement tourner à la main le disque arrêté, le bruit produit par le circuit servo de la mise au point sera audible.</p> <p>Si ce bruit est perçu, le circuit servo de la mise au point fonctionne correctement. Si cette touche est enclenchée et qu'aucun disque n'est installé, la diode laser s'allume, l'actuateur de la mise au point s'abaisse, se relève, puis s'abaisse une deuxième fois et enfin, revient à sa position de départ.</p>
▷	PLAY	Asservissement de rotation en service	<p>Démarre le moteur de rotation dans le sens des aiguilles d'une montre, quand la rotation du disque atteint la vitesse prescrite (environ 500 tours/min à la circonférence interne) et place le circuit servo de rotation dans une boucle fermée.</p> <p>Attention. Si cette touche est enfoncée et qu'un disque n'est pas installé, le moteur de rotation va tourner à la vitesse maximum.</p> <p>Si le circuit servo de la mise au point ne passe pas comme prévu dans une boucle fermée ou que la diode laser brille dans le miroir à la périphérie externe du disque, le même symptôme se produit.</p>
□□	PAUSE	Ouverture/Fermeture du circuit servo de l'alignement	<p>Le fait d'appuyer sur cette touche quand le circuit servo de la mise au point et de la rotation fonctionnent correctement en boucles fermées, place le circuit servo de l'alignement dans une boucle fermée, fait apparaître, sur le panneau avant, le numéro de la piste en cours de lecture et la durée écoulée, puis sort le signal de lecture.</p> <p>Si la durée écoulée n'est pas affichée ou n'est pas correctement calculée, ou si la reproduction sonore est anormale, il se peut que la diode laser s'active dans la section dépourvue de signaux enregistrés, au bord externe du disque, qu'un ajustement quelconque soit déréglé, ou qu'un autre problème se manifeste.</p> <p>Cette touche est de type à bascule, et ouvre/ferme alternativement le circuit servo de l'alignement. Cette touche est inopérante si un disque n'est pas installé.</p>

Code	Nom de la touche	Fonction en mode d'essai	Explications
◀◀	TRACK SEARCH REV	Inversion du chariot (vers l'intérieur)	Déplace le capteur vers la périphérie interne du disque. Quand cette touche est enclenchée et que le circuit servo de l'alignement travaille en boucle fermée, celui-ci change automatiquement dans une boucle ouverte. Comme le capteur ne s'arrête pas automatiquement au point de fin mécanique du mode d'essai, effectuer cette démarche avec précaution.
▶▶	TRACK SEARCH FWD	Inversion du chariot (vers l'extérieur)	Déplace le capteur vers la périphérie externe du disque. Quand cette touche est enclenchée et que le circuit servo de l'alignement travaille en boucle fermée, celui-ci change automatiquement dans une boucle ouverte. Comme le capteur ne s'arrête pas automatiquement au point de fin mécanique du mode d'essai, effectuer cette démarche avec précaution.
□	STOP	Arrêt	Met tous les circuits servo hors service et les initialise. Le capteur reste là où il était quand cette touche a été enclenchée.
△	OPEN/CLOSE	Ouverture/Fermeture du plateau à disque	Cette touche est de type à bascule et ouvre/ferme alternativement le plateau. Le fait d'enfoncer cette touche quand le plateau est ouvert le ferme et vice versa. Le fait d'appuyer sur cette touche quand le disque tourne arrête la rotation et ouvre le plateau. La fonction de cette touche n'a aucun effet sur la position du capteur.

[Lecture de disque en mode d'essai]

En mode d'essai, comme les circuits servo fonctionnent de manière indépendante, la lecture d'un disque exige que les touches soient enclenchées dans l'ordre prescrit, afin de fermer les circuits servo. Voici l'ordre d'enclenchement des touches pour reproduire un disque en mode d'essai.

- PROGRAM Allume la diode laser, et ferme le circuit servo de la mise au point.
- ↓
- PLAY ▷ Démarre le moteur de rotation et ferme le circuit servo de la rotation.
- ↓
- PAUSE || Ferme le circuit servo de l'alignement.

Attendre 2 à 3 secondes entre chaque opération.

1. Réglage du dÉcalage de la Mise au Point

● Objectif	Règle le décalage CC de l'amplificateur d'erreur de mise au point.		
● Symptôme quand déréglé	Le lecteur ne procède plus à la mise au point et le signal RF n'est pas clair.		
● Raccordement des instruments de mesure	Raccorder l'oscilloscope à TP1, broche 6 (FCS. ERR). [Réglages] 5 mV/division 10 ms/division mode CC	● Etat du lecteur ● Emplacement du réglage ● Disque	Mode d'essai, arrêté (juste l'interrupteur d'alimentation commuté sur marche) Assemblage de carte RF VR103 (FCS. OFS) Aucun requis

[Marche à suivre]

Ajuster VR103 (FCS. OFS) de façon que la tension à TP1 broche 6 (FCS. ERR) soit -150 ± 50 mV.

2. Réglage du Réseau de Diffraction

● Objectif	Pour aligner les points du rayon laser producteur d'erreur d'alignement sur l'angle optimum de la piste.		
● Symptôme quand déréglé	La lecture ne commence pas, la recherche de piste est impossible, les pistes sont sautées.		
● Raccordement des instruments de mesure	Raccorder l'oscilloscope à TP1, broche 2 (TRK. ERR) via un filtre passe-bas. (Voir Figure 2)	● Etat du lecteur	Mode d'essai, circuits servo de la mise au point et de la rotation fermés, circuit servo de l'alignement ouvert.
	[Réglages] 50 mV/division 5 ms/division mode CC	● Emplacement du réglage ● Disque	Fente de réglage du réseau de diffraction du capteur. Dans de 12cm. (il est impossible d'employer le disque YEDS-7).

[Marche à suivre]

1. Déplacer le capteur à mi-chemin sur le disque (R=35 mm) par la touche MANUAL SEARCH FWD ▷▷ ou la touche REV ◁◁.
2. Appuyer sur la touche PROGRAM, puis sur la touche PLAY ▷, dans cet ordre, pour fermer le circuit servo de la mise au point, puis celui de la rotation.
3. Insérer un tournevis ordinaire dans le réseau de diffraction pour trouver le point zéro. Pour plus de détails, voir page suivante.
4. Si l'on tourne lentement le tournevis dans le sens des aiguilles d'une montre à partir du point zéro, l'amplitude de l'onde augmente graduellement et si l'on continue à tourner le tournevis, l'amplitude de l'onde diminue de nouveau. Tourner le tournevis dans le sens des aiguilles d'une montre à partir du point zéro et régler le réseau de diffraction au premier point où l'amplitude de l'onde atteint son maximum.

Référence: La Figure 3 illustre la relation entre l'angle du faisceau de l'alignement et la piste et la forme d'onde.

Remarque: L'amplitude du signal d'erreur d'alignement se situe aux environs de 3 Vc-c (quand un filtre passe-bas de $39\text{ k}\Omega \pm 0,001\ \mu\text{F}$ est utilisé). Si cette amplitude est extrêmement petite (2 Vc-c ou moins), la lentille d'objectif ou du capteur risque de mal fonctionner. Si la différence entre l'amplitude du signal d'erreur au bord le plus intérieur et au bord le plus extérieur du disque est supérieure à 10%, ceci signifie que le réseau de diffraction n'est pas réglé à son point optimum. Dans ce cas, recommencer le réglage.

5. Replacer le capteur plus ou moins à mi-chemin sur le disque par la touche MANUAL SEARCH REV ◁◁, appuyer sur la touche PAUSE || et vérifier que le numéro de piste et la durée écoulée sont affichés sur le panneau avant. Si ces paramètres n'apparaissent pas ce moment, ou que la durée écoulée change de manière irrégulière, vérifier le point zéro et recommencer le réglage du réseau de diffraction.

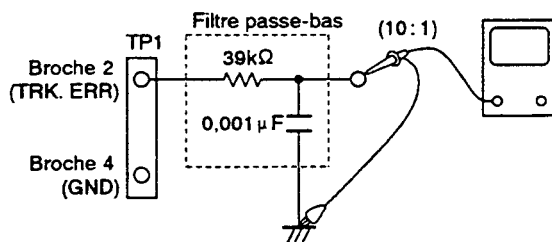
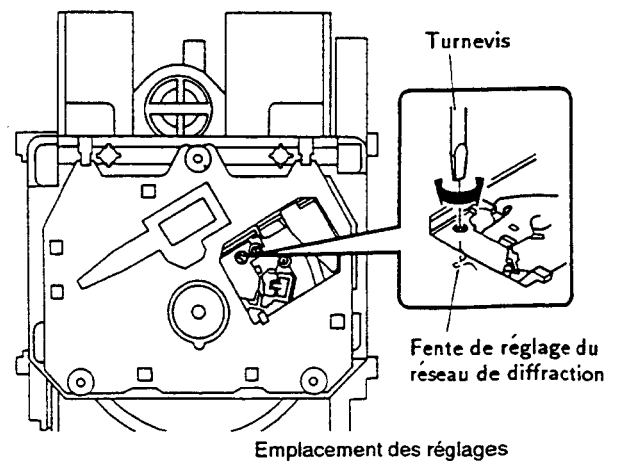


Figure 2



Emplacement des réglages

[Repérage du point zéro]

Quand le tournevis est introduit dans la fente de réglage du réseau de diffraction et que l'angle du réseau de diffraction est modifié, l'amplitude du signal d'erreur d'alignement à TP1, broche 2, change. Dans les limites de la plage du réseau de diffraction, il existe six emplacements où l'amplitude de l'onde atteint le minimum. Mais l'enveloppe de la forme d'onde n'est régulière qu'à un seul de ces emplacements. Ce point se situe à l'endroit où les trois rayons laser, divisés par le réseau de diffraction, se situent exactement sur la même piste (voir Figure 3). Ce point s'appelle le point zéro. Lors du réglage du réseau de diffraction, ce point zéro est repéré et utilisé comme position de référence.

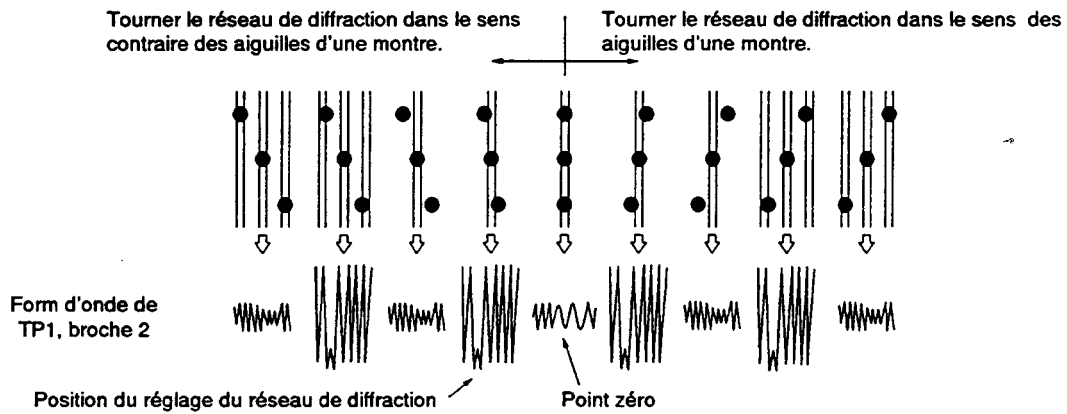
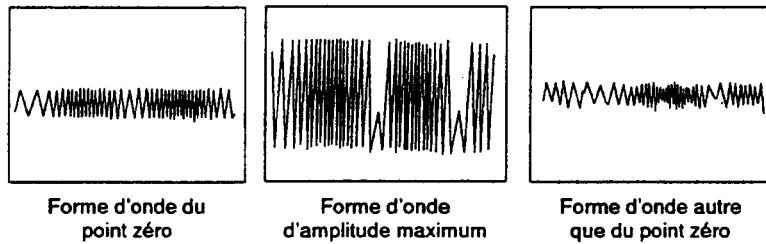


Figure 3

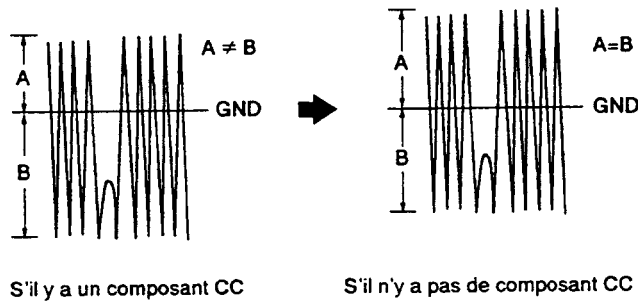


3. Réglage d'Équilibrage d'Erreur d'Alignement

● Objectif	Pour corriger la variation de sensibilité de la photodiode d'alignement.		
● Symptôme quand déréglé	La lecture ne commence pas, la recherche de piste est impossible.		
● Raccordement des instruments de mesure	Raccorder l'oscilloscope à TP1, broche 2 (TRK. ERR). Cette connexion peut être faite par l'intermédiaire d'un filtre passe-bas.	● Etat du lecteur	Mode d'essai, circuits servo de la mise au point et de la rotation fermés, circuit servo de l'alignement ouvert.
	[Réglages] 50 mV/division 5 ms/division mode CC	● Emplacement du réglage	Assemblage de carte RF VR102 (TRK. BAL)
		● Disque	YEDS-7

[Marche à suivre]

1. Déplacer le capteur à mi-chemin sur le disque (R=35 mm) par la touche MANUAL SEARCH FWD $\triangleright\triangleright$ ou la touche REV $\triangleleft\triangleleft$.
2. Appuyer sur la touche PROGRAM, puis sur la touche PLAY \triangleright , dans cet ordre, pour fermer le circuit servo de la mise au point, puis celui de la rotation.
3. Aligner la ligne lumineuse (masse) au centre de l'écran de l'oscilloscope et placer celui-ci en mode CC.
4. Ajuster VR102 (TRK. BAL) de façon que l'amplitude positive et l'amplitude négative du signal d'erreur d'alignement à TP1, broche 2 (TRK. ERR) soient identiques (c'est-à-dire, qu'il n'y ait aucun composant CC).



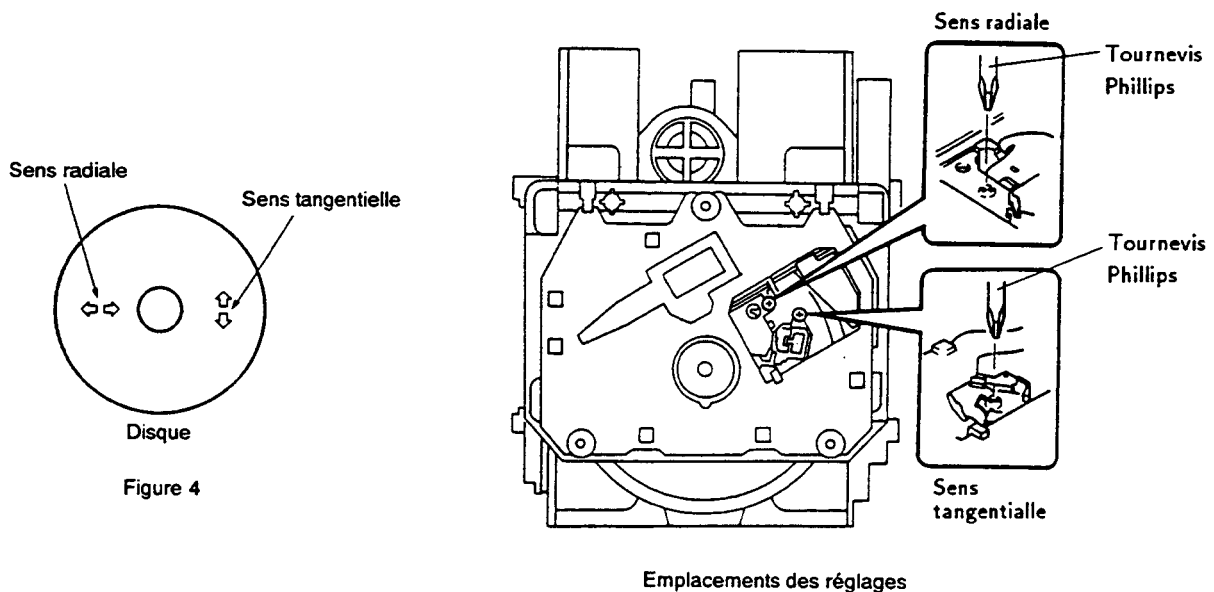
4. Réglage d'Inclinaison Radiale/Tangentielle du Capteur

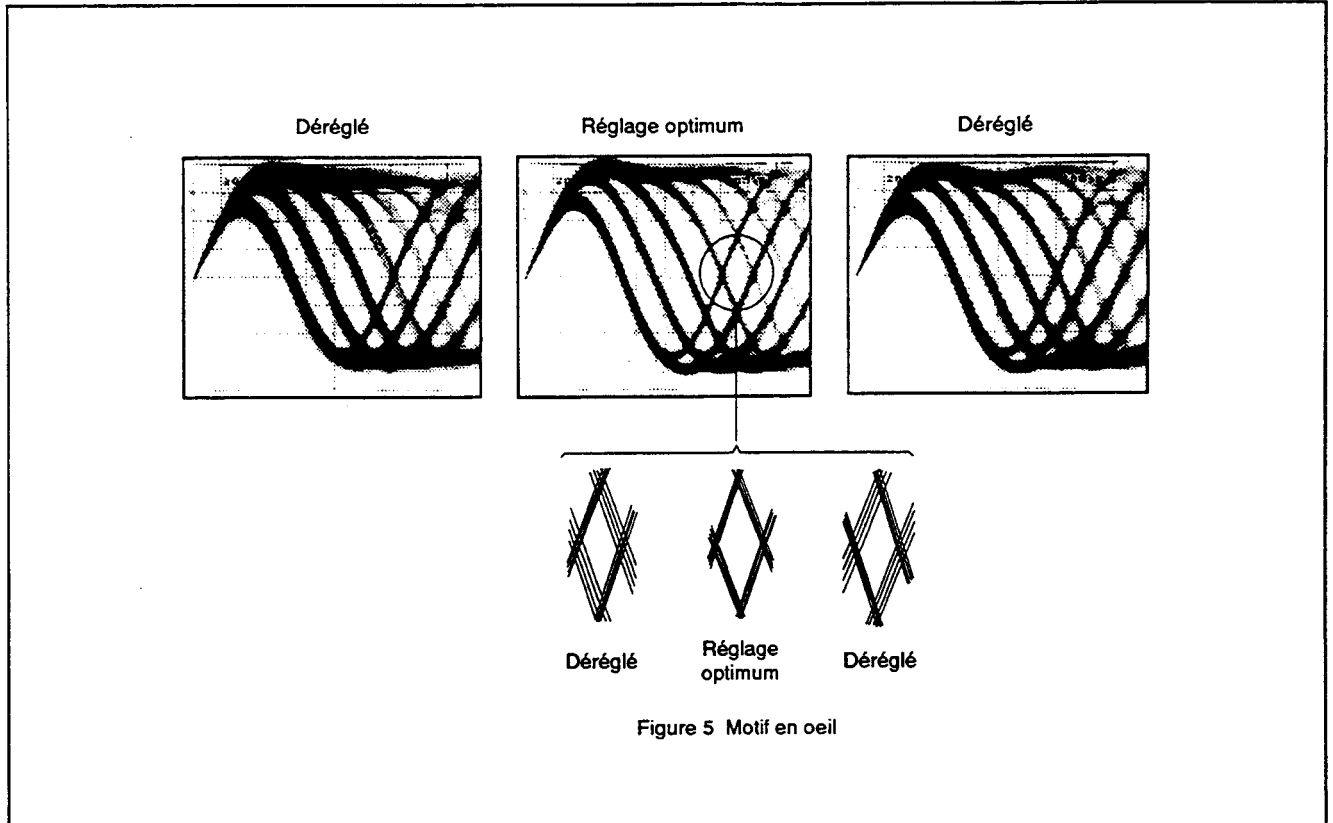
<ul style="list-style-type: none"> ● Objectif ● Symptôme quand déréglé 	<p>ur régler l'angle du capteur par rapport au disque, de façon que les rayons laser frappent vericalement le disque et permettre ainsi la lecture d'unum des signaux RF.</p> <p>Son interrompu ; certains disques peuvent être lus et pas d'autres.</p>		
<ul style="list-style-type: none"> ● Raccordement des instruments de mesure 	<p>Raccorder l'oscilloscope à TP1, broche 1 (RF).</p> <p>[Réglages] 20 mV/division 200 ns/division mode CA</p>	<ul style="list-style-type: none"> ● Etat du lecteur ● Emplacement du réglage ● Disque 	<p>Mode d'essai, lecture</p> <p>Vis de réglage d'inclinaison radiale. Vis de réglage d'inclinaison tangentielle.</p> <p>Disque de 12cm. (il est impossible d'employer le disque YEDS-7.)</p>

[Marche à suivre]

1. Dans le cas d'un lecteur multidisque, utiliser la touche MANUAL SEARCH FWD ▷▷ ou la touche REV ◁◁ de façon que les vis de réglage d'inclinaison radiale et tangentielle puissent être réglées
Appuyer sur la touche PROGRAM, PLAY ▷ et PAUSE ◻◻ dans cet ordre, afin de fermer le circuit servo de la mise au point, puis celui de la rotation et placer le lecteur en mode de lecture.
2. D'abord, ajuster la vis d'inclinaison radiale à l'aide un tournevis Phillips, de façon que le motif en oeil (c'est-à-dire, le diamant au centre du signal RF) soit le plus clairement visible.
3. Ensuite, ajuster la vis d'inclinaison tangentielle à l'aide un tournevis Phillips, de façon que le motif en oeil (c'est-à-dire, le diamant au centre du signal RF) soit le plus clairement visible (Figure 5).
4. Ajuster de nouveau la vis d'inclinaison radiale et la vis d'inclinaison tangentielle de façon que le motif en oeil soit le plus clairement visible. Le cas échéant, régler les deux vis de façon que le motif en oeil soit le plus clairement visible.
5. Lorsque le réglage est terminé, bloquer les vis de réglage radiale et tangentielle.

Remarque: "Radiale" et "tangentielle" se rapportent aux sens par rapport au disque illustré à la Figure 4.





5. Réglage du Niveau RF (Niveau RF)

● Objectif	Pour optimiser l'amplitude du signal RF de lecture		
● Symptôme quand déréglé	Pas de lecture ni de recherche		
● Raccordement des instruments de mesure	Raccorder l'oscilloscope à TP1, broche 1 (RF).	● Etat du lecteur	Mode d'essai, lecture
	[Réglages] 50 mV/division 10 ms/division mode CA	● Emplacement du réglage ● Disque	Assemblage de tête de lecture VR1 (alimentation du laser) YEDS-7
[Marche à suivre]			
<p>1. Placer le capteur à mi-chemin sur le disque (R=35 mm) à l'aide de la touche MANUAL SEARCH FWD ▷▷ ou la touche REV ◁◁. Ensuite, appuyer sur la touche PROGRAM, puis sur la touche PLAY ▷, dans cet ordre, pour fermer les circuits servo respectifs et mettre le lecteur en mode de lecteur.</p> <p>2. Ajuster VR1 (alimentation du laser) de façon que l'amplitude du signal RF atteigne $1,2 V_{c-c} \pm 0,1 V$.</p>			

6. Réglage de Gain de Boucle Asservie de la Mise au Point

● Objectif	Pour optimiser le gain de la boucle d'asservissement de la mise au point.		
● Symptôme quand déréglé	La lecture ne commence pas ou l'actuateur de la mise au point est parasité.		
● Raccordement des instruments de mesure	Voir Figure 6.	● Etat du lecteur	Mode d'essai, lecture
	[Réglages] GAN. 1 20 mV/division mode X-Y	GAN. 2 5mV/division	● Emplacement du réglage ● Disque

[Marche à suivre]

1. Régler la sortie du générateur AF sur 1,2 kHz et 1 Vc-c.
2. Appuyer sur la touche MANUAL SEARCH FWD >> ou la touche REV << pour placer le capteur à mi-chemin sur le disque (R=35 mm). Ensuite, appuyer sur la touche PROGRAM, la touche PLAY ▷, puis sur la touche PAUSE ◻◻, dans cet ordre, pour fermer les circuits servo respectifs et placer le lecteur en mode de lecture.
3. Ajuster VR152 (FCS. GAN) de façon que la forme d'onde de Lissajous soit symétrique aux alentours de l'axe X et l'axe Y.

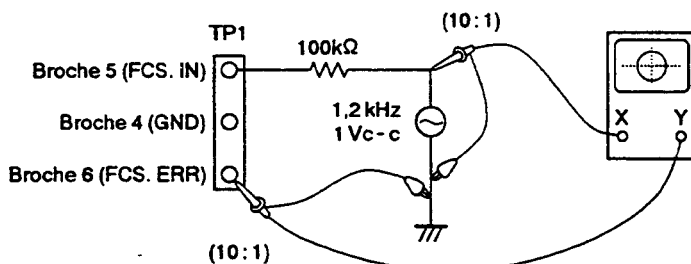
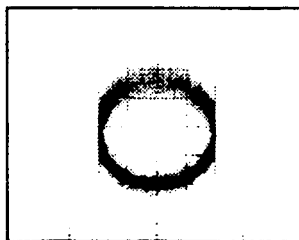


Figure 6

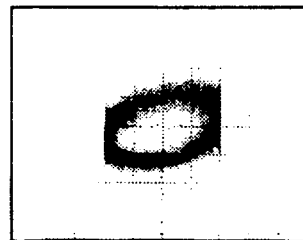
Réglage de gain de mise au point



Gain supérieur



Gain optimum



Gain inférieur

7. Réglage de Gain de Boucle Asservie de l'Alignement

● Objectif	Pour optimiser le gain de la boucle d'asservissement de l'alignement.		
● Symptôme quand déréglé	La lecture ne commence pas, l'actuateur est parasité pendant la recherche, ou des pistes sont sautées.		
● Raccordement des instruments de mesure	Voir Figure 7.	● Etat du lecteur	Mode d'essai, lecture
	[Réglages] GAN. 1 GAN. 2 50 mV/division 20 mV/division mode X-Y	● Emplacement du réglage	Assemblage de carte MOTHER VR151 (TRK. GAN)
		● Disque	YEDS-7

[Marche à suivre]

1. Régler la sortie du générateur AF sur 1,2 kHz et 2 Vc-c.
2. Appuyer sur la touche MANUAL SEARCH FWD >> ou la touche REV << pour placer le capteur à mi-chemin sur le disque (R=35 mm). Ensuite, appuyer sur la touche PROGRAM, la touche PLAY >, puis sur la touche PAUSE |||, dans cet ordre, pour fermer les circuits servo respectifs et placer le lecteur en mode de lecture.
3. Ajuster VR151 (TRK. GAN) de façon que la forme d'onde de Lissajous soit symétrique aux alentours de l'axe X et l'axe Y.

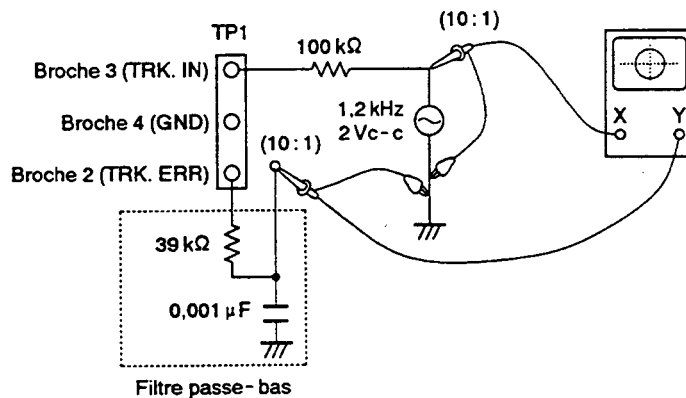
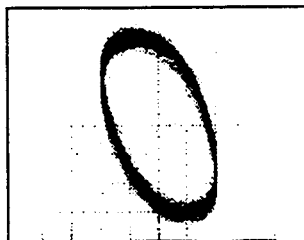
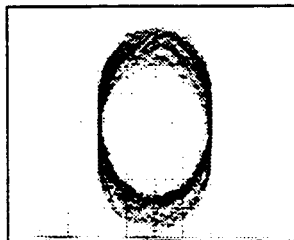


Figure 7

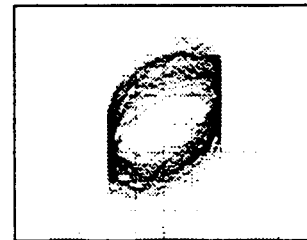
Réglage de gain d'alignement



Gain supérieur



Gain optimum



Gain inférieur

8. Vérification du Signal d'Erreur de la Mise au Point

<ul style="list-style-type: none"> ● Objectif ● Symptôme quand déréglé 	Pour juger si le capteur est bon ou pas, en observant le signal d'erreur de la mise au point. L'état du capteur s'évalue à partir de l'amplitude du signal d'erreur d'alignement (comme décrit dans le paragraphe relatif à l'équilibrage d'erreur d'alignement), ainsi qu'à partir de la forme d'onde du signal d'erreur de mise au point.		
<ul style="list-style-type: none"> ● Raccordement des instruments de mesure 	Raccorder l'oscilloscope à TP1, broche 6 (FCS. ERR). [Réglages] 100 mV/division 5 ms/division mode CC	<ul style="list-style-type: none"> ● Etat du lecteur ● Emplacement du réglage ● Disque 	Mode de test, arrêt Aucun YEDS-7

[Marche à suivre]

1. Raccorder TP1, broche 5 à la masse.
2. Installer le disque.
3. Tout en regardant l'écran de l'oscilloscope, appuyer sur la touche PROGRAM et observer la forme d'onde de la Figure 8, pendant quelques instants. Vérifier que l'amplitude atteint au moins 2,5 Vc-c et que les amplitudes positive et négatives soient égales. Comme la forme ne sort que pour un moment, quand la touche PROGRAM est enclenchée, appuyer sur à plusieurs reprises sur cette touche, jusqu'à ce que la forme d'onde ait été vérifiée.

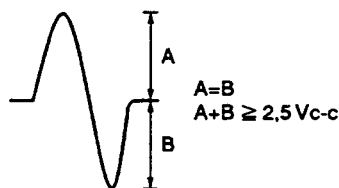


Figure 8

[Evaluation du capteur]

Ne pas tenter d'évaluer l'état du capteur tant que tous les réglages ne sont pas corrects. Les cas suivants témoignent de l'anomalie du capteur.

1. L'amplitude du signal d'erreur d'alignement est extrêmement petite (inférieure à 2 Vc-c).
2. L'amplitude du signal d'erreur de mise au point est extrêmement petite (inférieure à 2,5 Vc-c).
3. Les amplitudes positive et négative du signal d'erreur de mise au point sont extrêmement asymétriques (taux 2:1 ou plus).
4. Le signal RF est trop petit (inférieur à 0,8 Vc-c) et même si VR1 (alimentation du laser) est ajustée, le signal RF ne peut être élevé au niveau standard.

5. AJUSTES

5.1 Métodos de ajuste

Si un reproductor de discos compactos se ajusta incorrecta o inadecuadamente, puede funcionar mal o no trabajar incluso aunque no exista ningún problema en el captor ni en los circuitos. Ajuste correctamente siguiendo el procedimiento de ajuste.

● Ítemes de ajuste/verificación y orden

Paso	Ítem	Punto de prueba	Lugar de ajuste
1	Ajuste del descentramiento de enfoque	TP1, Patilla 6(FCS. ERR)	VR103 (FCS. OFS)
2	Ajuste de retícula	TP1, Patilla 2(TRK. ERR)	Ranura de ajuste de retícula
3	Ajuste del equilibrio de ajuste de seguimiento	TP1, Patilla 2(TRK. ERR)	VR102(TRK. BAL)
4	Ajuste de la inclinación en sentido radial / tangencial del captor	TP1, Patilla 1 (RF)	Tomillo de ajuste de la inclinación radial. Tomillo de ajuste de la inclinación tangencial
5	Ajuste del nivel de RF	TP1, Patilla 1 (RF)	VR1 (Nivel de RF)
6	Ajuste de la ganancia del bucle del servo de enfoque	TP1, Patilla 5(FCS. IN) TP1, Patilla 6(FCS. ERR)	VR152 (FCS. GAN)
7	Ajuste de la ganancia del bucle del servo de seguimiento	TP1, Patilla 3(TRK. IN) TP1, Patilla 2(TRK. ERR)	VR151 (TRK. GAN)
8	Verificación de la señal de error de enfoque	TP1, Patilla 6(FCS. ERR)	—————

● Tabla de abreviaturas

FCS. ERR	:Error de enfoque
FCS. OFS	:Descentramiento de enfoque
TRK. ERR	:Error de seguimiento
TRK. BAL	:Equilibrio de seguimiento
FCS. GAN	:Ganacia de enfoque
TRK. GAN	:Ganacia de seguimiento
FCS. IN	:Entrada de enfoque
TRK. IN	:Entrada de seguimiento

● Instrumentos y herramientas de medición

1. Osciloscopio de doble traza (Sonda de 10:1)
2. Oscilador de baja frecuencia
3. Disco de prueba (YEDS-7)
4. Disco de 12cm (con 70 minutos de grabación por lo menos)
5. Filtro de paso bajo ($39 \text{ k}\Omega + 0,001 \mu \text{F}$)
6. Resistor ($100 \text{ k}\Omega$)
7. Herramientas estándar

● **Ubicación de los puntos de prueba y los resistores variables de ajuste**

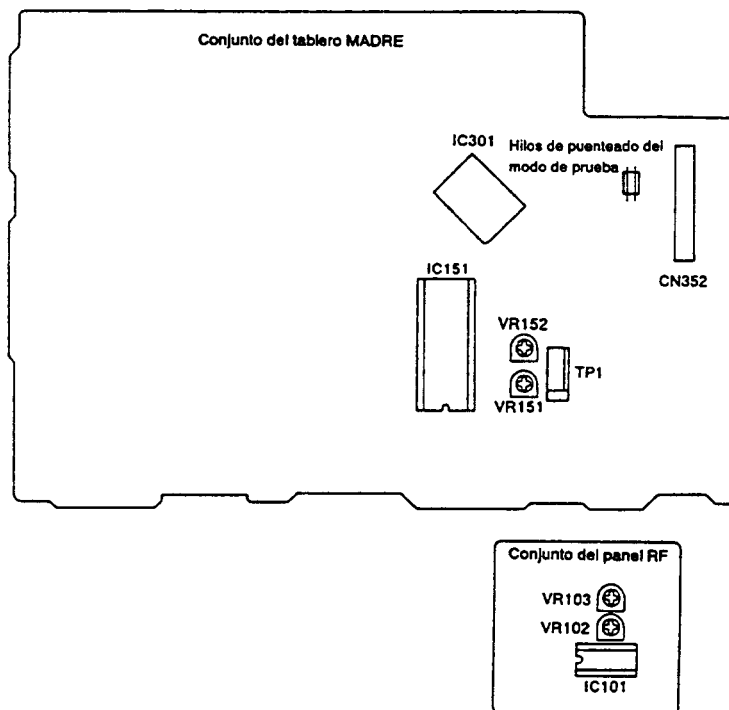


Figura 1 Lugares de ajuste

● **Notas**

1. Emplee una sonda de 10:1 para el osciloscopio.
2. Todas las posiciones de los mandos (ajustes) para el osciloscopio de los procedimientos de ajuste son para cuando se emplee la sonda de 10:1.

● **Modo de prueba**

Estos modelos poseen un modo de prueba que permite realizar fácilmente los ajustes y las comprobaciones requeridos para el servicio. Cuando estos modelos estén en el modo de prueba, las teclas del panel frontal trabajarán de forma diferente a la normal. Los ajustes y las comprobaciones podrán realizarse accionando estas teclas de acuerdo con el procedimiento correcto. Para estos modelos, todos los ajustes se realizarán en el modo de prueba.

[Puesta de estos modelos en el modo de prueba]

A continuación se indica cómo poner estos modelos en el modo de prueba.

1. Desenchufe el cable de alimentación de la toma de CA.
2. Cortocircuite los hilos de puenteado de modo de prueba. (Consulte la figura 1.)
3. Enchufe el cable de alimentación de la toma de CA.

Cuando haya ajustado correctamente el modo de prueba, la visualización será diferente a la obtenida normalmente al conectar la alimentación. Si la visualización sigue siendo la normal, el modo de prueba no se habrá ajustado normalmente, por lo que tendrá que repetir los pasos 1 a 3.

[Desactivación del modo de prueba]

A continuación se indica el procedimiento para desactivar el modo de prueba.

1. Presione la tecla STOP y cese todas las operaciones.
2. Desenchufe el cable de alimentación de la toma de CA.

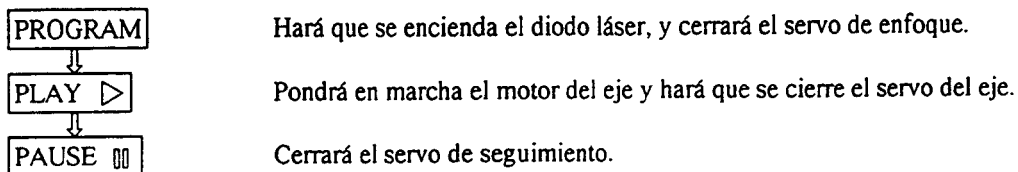
[Operaciones de teclas en el modo de prueba]

Código	Nombre de la tecla	Función en el modo de prueba	Explicación
	PROGRAM	Cierre del servo de enfoque	<p>El diodo láser se encenderá y el actuador de enfoque descenderá, después se elevará lentamente, y el servo de enfoque se cerrará en el punto en el que el objetivo se enfoque sobre el disco.</p> <p>Con el reproductor en este estado, si gira ligeramente con la mano el disco parado, podrá oír el sonido del servo de enfoque.</p> <p>Si puede oír este sonido, el servo de enfoque estará funcionando correctamente. Si presiona esta tecla sin disco montado, el diodo láser se encenderá, el actuador de enfoque se verá empujado hacia abajo, y después se levantará y descenderá á dos veces, y volverá a su posición original.</p>
▷	PLAY	Activación del servo del eje	<p>Pondrá en marcha el motor del eje haciéndolo girar hacia la derecha y después la rotación del disco alcanzará la velocidad prescrita (unas 500 rpm en la periferia interior), y pondrá el servo del eje en un bucle cerrado.</p> <p>Tenga cuidado. Si presiona esta tecla cuando no haya disco montado, el motor del eje girará a la velocidad máxima.</p> <p>Si el servo de enfoque no pasa correctamente a un bucle cerrado, o si el haz láser incide en la sección del espejo en el la periferia del disco, ocurrirá el mismo síntoma.</p>
□□	PAUSE	Apertura/cierre del servo de seguimiento	<p>Si presiona esta tecla cuando el servo de enfoque y el servo del eje están funcionando correctamente en bucles cerrados, el servo de seguimiento se pondrá en bucle cerrado, en el panel frontal se visualizarán el número de canción que esté reproduciéndose y el tiempo transcurrido, y se producirá la salida de la señal de reproducción.</p> <p>Si el tiempo transcurrido no se visualiza o no se cuenta correctamente, o si el sonido no se reproduce correctamente, es posible que el rayo láser esté incidiendo en la sección sin sonido grabado en el borde exterior del disco, o que exista algún otro problema.</p> <p>Esta tecla es basculante de acción alternativa, y abre/cierra el servo de seguimiento alternativamente. Esta tecla no funcionará cuando no haya disco montado.</p>

Código	Nombre de la tecla	Función en el modo de prueba	Explicación
◀	TRACK SEARCH REV	Retroceso del carro (hacia adentro)	Moverá la posición del captor hacia el diámetro interior del disco. Si presiona esta tecla con el servo de seguimiento en bucle cerrado, dicho bucle pasará automáticamente a bucle abierto. Como el captor no se para automáticamente en el punto final mecánico en el modo de prueba, tenga cuidado cuando realice esta operación.
▶	TRACK SEARCH FWD	Avance del carro (hacia afuera)	Moverá la posición del captor hacia la periferia del disco. Si presiona esta tecla con el servo de seguimiento en bucle cerrado, dicho bucle pasará automáticamente a bucle abierto. Como el captor no se para automáticamente en el punto final mecánico en el modo de prueba, tenga cuidado cuando realice esta operación.
□	STOP	Parada	Desactivará todos los servos e inicializará la unidad. El captor permanecerá donde estaba cuando se presionó esta tecla.
△	OPEN/CLOSE	Apertura/cierre de la bandeja del disco	Abrirá/cerrará la bandeja del disco. Esta tecla es baseulante de acción alternativa y abre/cierra la bandeja alternativamente.. Si presiona esta tecla cuando el disco esté girando, lo parará, y abrira la bandeja. Esta operación de la tecla no afectará posición del captor.

[Cómo reproducir un disco en el modo de prueba]

En el modo de prueba, como los servos funcionan independientemente, la reproducción de un disco requiere el que usted emplee las teclas en el orden correcto para cerrar los servos.
A continuación se indica la secuencia de operación de teclas para reproducir un disco en el modo de prueba.



Espera de 2 a 3 segundos por lo menos entre cada una de estas operaciones.

1. Ajuste del Descentramiento del Enfoque

● Objetivo	Ajuste de la tensión de CC para el amplificador de error de enfoque.		
● Síntomas en caso de desajuste	El reproductor no enfoca y la señal de RF contiene perturbaciones.		
● Conexión de los instrumentos de medición	Conecte el osciloscopio a TP1, patilla 6 (FCS. ERR) [Ajustes] 5 mV/división 10 ms/división modo de CC	● Estado del reproductor ● Lugar de ajuste ● Disco	Mode de prueba, parado (con el interruptor de alimentación en ON) Conjunto del panel RF VR103 (FCS. OFS) No es necesario
[Procedimiento]			
Ajuste VR103 (FCS. OFS) de forma que la tensión de CC de TP1, patilla 6 (FCS. ERR) sea de -150 ± 50 mV.			

2. Ajuste de Retícula

● Objetivo	Alineación de los puntos del haz láser de generación de error de seguimiento al ángulo óptimo en la pista.		
● Síntomas en caso de desajuste	La reproducción no se inicia, la búsqueda de canciones es imposible, las pistas se saltan.		
● Conexión de los instrumentos de medición	Conecte el osciloscopio a TP1, patilla2 (TRK. ERR) a través de un filtro de paso bajo. (Consulte la figura 2)	● Estado del reproductor	Modo de prueba, servos de enfoque y del eje cerrados, y servo de seguimiento abierto.
	[Ajustes] 50 mV/división 5 ms/división modo de CC	● Lugar de ajuste ● Disco	Ranura de ajuste de retícula del captor Disco de 12 cm. (El disco YEDS-7 no podrá emplearse.)

[Procedimiento]

1. Mueva el captor hasta la mitad del disco (R=35mm) con la tecla MANUAL SEARCH FWD ▷▷ o la tecla REV ◀◀.
2. Presione la tecla PROGRAM, y después la tecla PLAY ▷ , por este orden, a fin de cerrar el servo de enfoque y después el servo del eje.
3. Inserte un destornillador normal en la ranura de ajuste de la retícula y ajuste la retícula hasta encontrar el punto nulo. Para más detalles, consulte la página siguiente.
4. Si gira lentamente el destornillador hacia la derecha desde el punto nulo, la amplitud de la onda aumentará gradualmente. Después, si continúa girando el destornillador, la amplitud de la onda se volverá otra vez más pequeña. Gire el destornillador hacia la izquierda desde el punto nulo y ajuste la retícula al primer punto en el que la amplitud de la onda alcance su valor máximo.

Referencia : En la figura 3 se muestra la relación entre el ángulo del haz de seguimiento con la pista y la forma de onda.

Nota : La amplitud de la señal de error de seguimiento será de aproximadamente 3V_{p-p} (cuando se emplee un filtro de paso bajo de 39kΩ , 0,001 μF). Si la amplitud está extremadamente pequeña (2V_{p-p} ó menos), es posible que el objetivo o en el captador esté funcionando mal. Si la diferencia entre la amplitud de la señal de error en el borde interior y exterior del disco es superior al 10%, la retícula no estará ajustada al punto óptimo, por lo que tendrá que volver a ajustarla.

5. Devuelva el captor hasta la mitad más o menos del disco con la tecla MANUAL SEARCH REV ◀◀ , presione la tecla PAUSE ||| , y vuelva a comprobar si en el panel frontal se visualizan el número de canción y el tiempo transcurrido. Si no se visualizan esta vez, o si el tiempo transcurrido cambia irregularmente, vuelva a comprobar el punto nulo y ajuste otra vez la retícula.

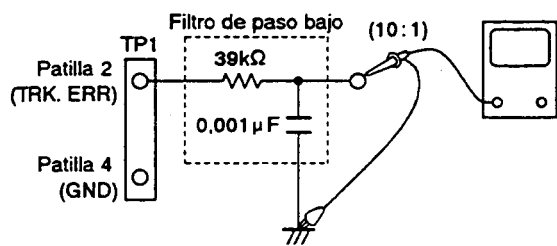
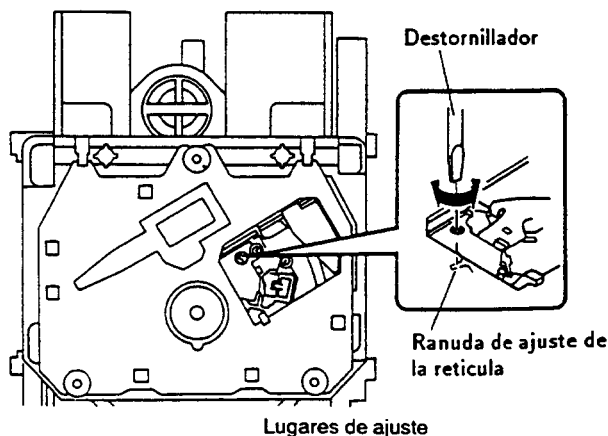


Figura 2



[Cómo encontrar el punto nulo]

Cuando inserte el destornillador normal en la ranura para el ajuste de la retícula y cambie el ángulo de la misma. La amplitud de la señal de error de seguimiento de TP1, patilla 2, cambiará. Dentro del margen para la retícula existen cinco o seis lugares en los que la amplitud alcanza el valor mínimo. De estos cinco o seis lugares, solamente hay uno en el que la envolvente de la forma de onda es uniforme. Este lugar es donde los tres haces lásericos divididos por la retícula se encuentran exactamente sobre la misma pista. (Consulte la figura 3.) Este punto se denomina punto nulo. Cuando ajuste la retícula, este punto se encontrará y empleará como posición de referencia.

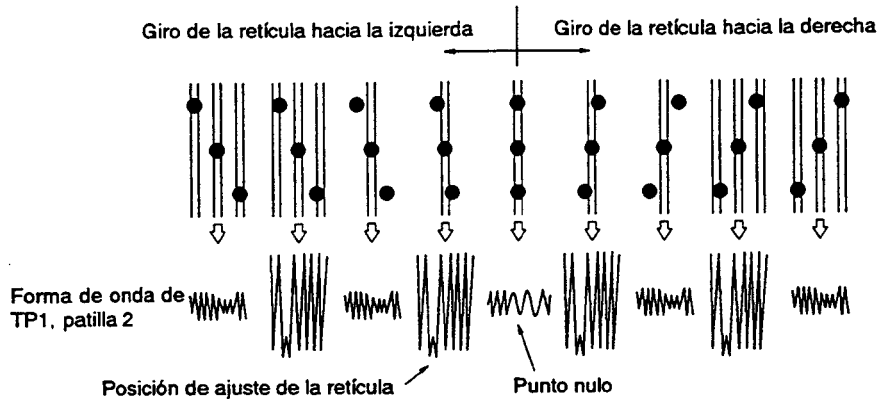
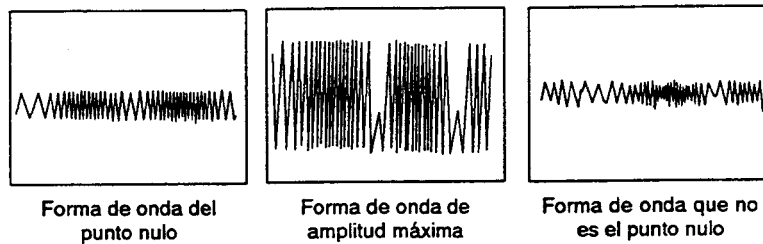


Figura 3

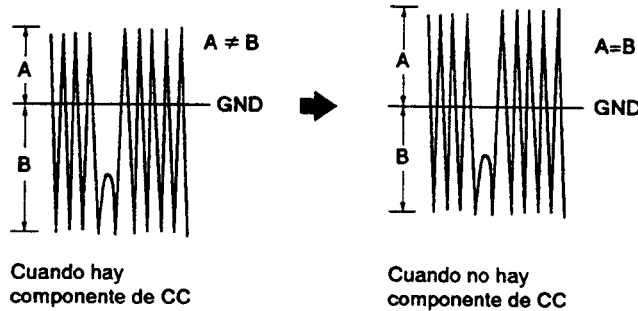


3. Ajuste del Equilibrio de Error de Seguimiento

<ul style="list-style-type: none"> ● Objetivo ● Síntomas en caso de desajuste 	Corrección de la variación de la sensibilidad del fotodiodo de seguimiento. La reproducción no se inicia o la búsqueda de canciones es imposible.		
<ul style="list-style-type: none"> ● Conexión de los instrumentos de medición 	Conecte el osciloscopio a TP1, patilla 2 (TRK. ERR). Esta conexión puede realizarse a través de un filtro de paso bajo [Ajustes] 50 mV/división 5 ms/división modo de CC	<ul style="list-style-type: none"> ● Estado del reproductor ● Lugar de ajuste ● Disco 	Modo de prueba, servos de enfoque y del eje cerrados, y servo de seguimiento abierto Conjunto del panel RF VR102 (TRK. BAL) YEDS-7

[Procedimiento]

1. Mueva el captor hasta la mitad del disco (R=35 mm) con la tecla MANUAL SEARCH FWD $\triangleright\triangleright$ o la tecla REV $\triangleleft\triangleleft$.
2. Presione la tecla PROGRAM, y después la tecla PLAY \triangleright , por este orden, a fin de cerrar el servo de enfoque y después el servo del eje.
3. Haga coincidir la línea brillante (masa) del centro de la pantalla del osciloscopio y ponga éste en el modo de CC.
4. Ajuste VR102 (TRK. BAL) de forma que la amplitud positiva y la negativa de la señal de error de seguimiento de TP1 patilla 2 (TRK. ERR) sean iguales (en otras palabras, de forma que no haya componente de CC).



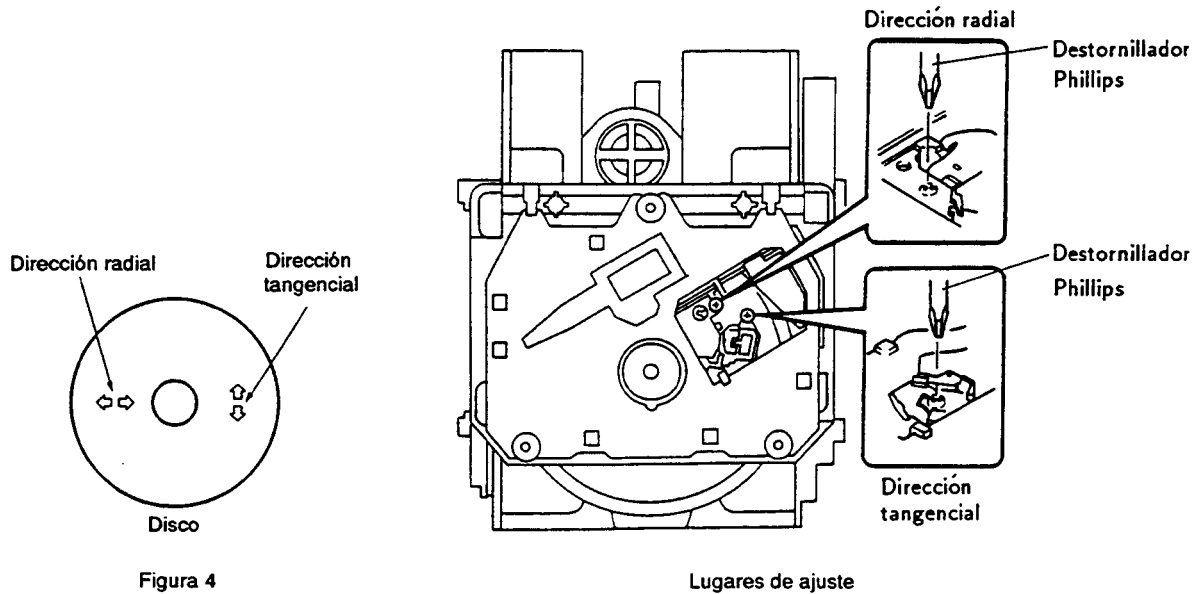
4. Ajuste de la Inclinación en Sentido Radial / Tangencial del Captor

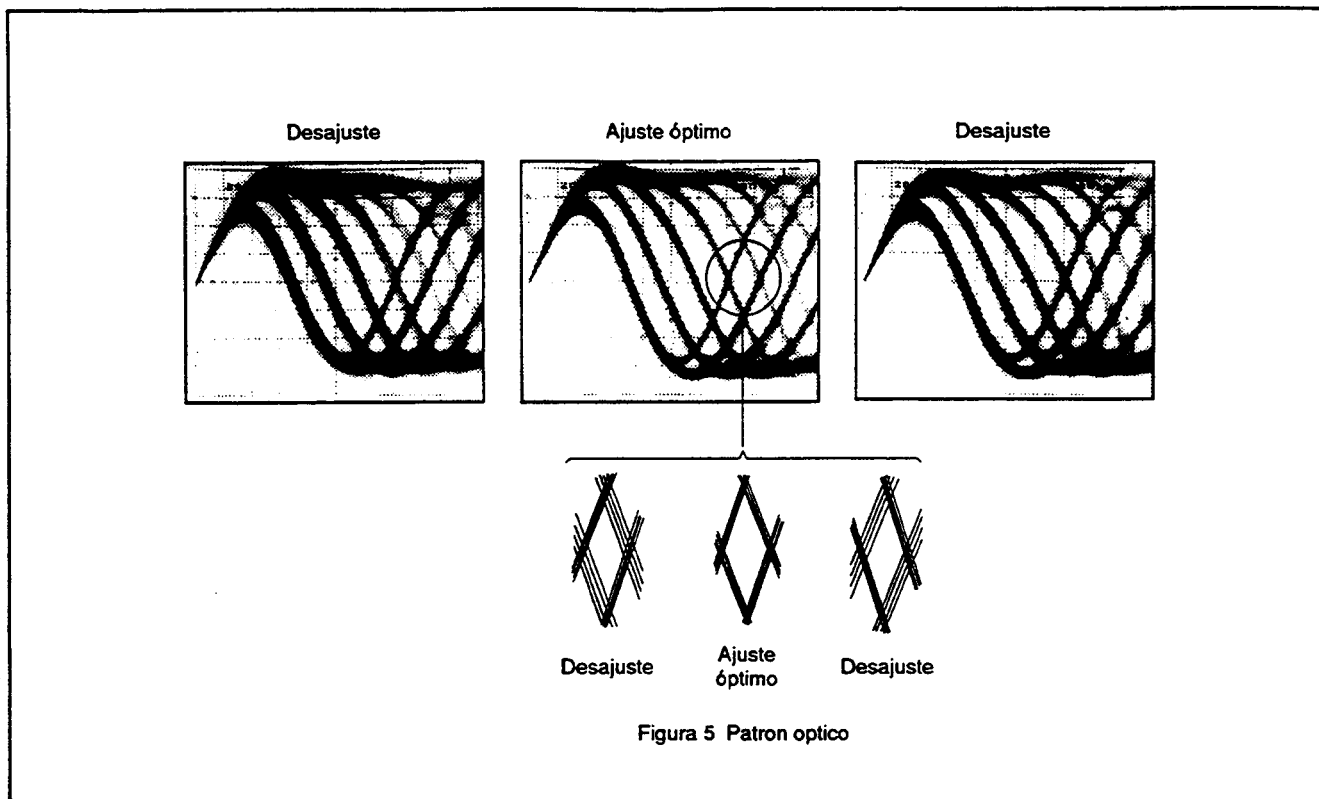
● Objetivo	Ajustar el ángulo del captor en relación con el disco de forma que los haces lásericos incidan perpendicularmente sobre el mismo a fin de poder leer con la mayor exactitud las señales de RF.		
● Síntomas en caso de desajuste	Sonido quebrado, algunos discos pueden reproducirse pero otros no.		
● Conexión de los instrumentos de medición	Conecte el osciloscopio a TP1, patilla 1 (RF).	● Estado del reproductor	Modo de prueba, reproducción
	[Ajustes] 20 mV/división 200 ns/división modo de CA	● Lugar de ajuste	Tornillo de ajuste de la inclinación radial y tornillo de ajuste de la inclinación tangencial
		● Disco	Disco de 12cm. (El disco YEDS-7 no podrá emplearse.)

[Procedimiento]

1. Para un tipo de reproducción múltiple de disco compacto, emplee la tecla MANUAL SEARCH FWD \gg o la tecla REV \ll a fin de mover el captor hasta la mitad del disco (R=35 mm)
Presione la tecla PROGRAM, la tecla PLAY \triangleright , y después la tecla PAUSE \square , por este orden, a fin de cerrar el servo de enfoque, después el servo del eje, y por último para poner el reproductor en el modo de reproducción.
2. En primer lugar, gire el tornillo de ajuste de inclinación radial con un destornillador Phillips hasta que el patrón ocular (la forma de diamante del centro de la señal de RF) pueda verse con la mayor claridad.
3. A continuación, gire el tornillo de ajuste de inclinación radial con un destornillador Phillips hasta que el patrón ocular (la forma de diamante del centro de la señal de RF) pueda verse con la mayor claridad(Figura 5).
4. Vuelva a girar el tornillo de ajuste de inclinación radial y el tornillo de inclinación tangencial hasta que el patrón ocular pueda verse con la mayor claridad. Si es necesario, ajuste alternativamente los dos tornillos hasta que el patrón ocular pueda verse con la mayor claridad.
5. Cuando se completa el ajuste, fije los tornillos para el ajuste radial y tangencial.

Nota:Radial y tangencial significan las direcciones en relación con el disco mostrado en la figura 4.





5. Ajuste del Nivel de RF

● Objetivo	Optimización de la amplitud de la señal de RF de reproducción.		
● Síntomas en caso de desajuste	La reproducción no se inicia o la búsqueda de canciones es imposible.		
● Conexión de los instrumentos de medición	Conecte el osciloscopio a TP1, patilla 1 (RF). [Ajustes] 50 mV/división 10 ms/división modo de CA	● Estado del reproductor ● Lugar de ajuste ● Disco	Modo de prueba, reproducción Conjunto del fonocaptor VR1 (potencia de láser) YEDS-7
[Procedimiento]			
<ol style="list-style-type: none"> 1. Mueva el captor hasta la mitad del disco (R=35 mm) con la tecla MANUAL SEARCH FWD ▷▷ o la tecla REV ◁◁, presione la tecla PROGRAM, después la tecla PLAY ▷, por este orden a fin de cerrar los servos respectivos, y ponga el reproductor en el mode de reproducción. 2. Ajuste VR1 (potencia de láser) de forma que la amplitud de la señal de RF sea de 1,2Vp-p ±0,1 V. 			

6. Ajuste de la Ganancia del Bucle del Servo de Enfoque

● Objetivo	Optimización de la ganancia del bucle del servo de enfoque.		
● Síntomas en caso de desajuste	La reproducción no se inicia o el actuador de enfoque produce ruido.		
● Conexión de los instrumentos de medición	Consulte la figura 6. [Ajustes] CH1 CH2 20 mV/división 5mV/división modo X-Y	● Estado del reproductor ● Lugar de ajuste ● Disco	Modo de prueba, reproducción Conjunto del tablero MADRE VR152 (FCS. GAN) YEDS-7

[Procedimiento]

1. Ajuste la salida del generador de AF a 1,2 kHz y 1 Vp-p.
2. Presione la tecla MANUAL SEARCH FWD >> o la tecla REV << para mover el captor hasta la mitad del disco (R=35 mm), y después presione la tecla PROGRAM, la tecla PLAY ▷, y después la tecla PAUSE |||, por este orden, a fin de cerrar los servos correspondientes y poner el reproductor en el modo de reproducción.
3. Ajuste VR152 (FCS. GAN) hasta que la forma de onda de Lissajous sea simétrica alrededor del eje X y el eje Y.

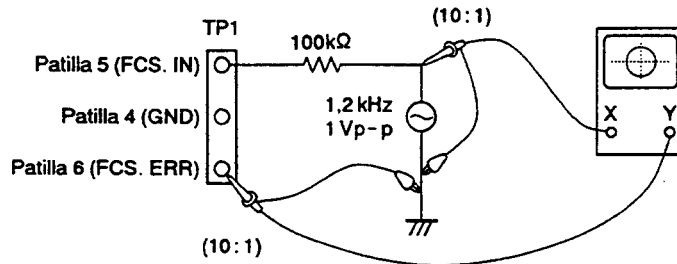
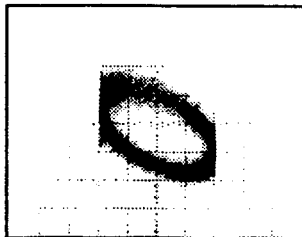
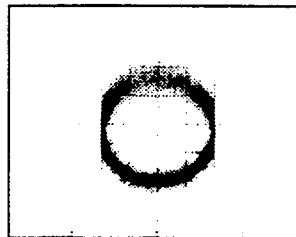


Figura 6

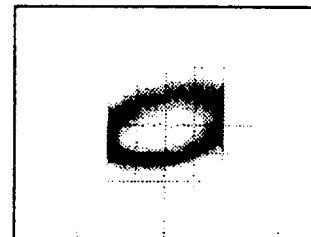
Ajuste de la ganancia de enfoque



Ganancia superior



Ganancia óptima



Ganancia inferior

7. Ajuste de la Ganancia del Bucle del Servo de Seguimiento

● Objetivo	Optimización de la ganancia del bucle del servo de seguimiento.		
● Síntomas en caso de desajuste	La reproducción no se inicia, el actuador de enfoque produce ruido, o se saltan pistas.		
● Conexión de los instrumentos de medición	Consulte la figura 7. [Ajustes] CH1 CH2 50 mV/división 20 mV/división modo X-Y	● Estado del reproductor ● Lugar de ajuste ● Disco	Modo de prueba, reproducción Conjunto del tablero MADRE VR151 (TRK. GAN) YEDS-7

[Procedimiento]

1. Ajuste la salida del generador de AF a 1,2 kHz y 2 Vp-p.
2. Presione la tecla MANUAL SEARCH FWD >> o la tecla REV << para mover el captor hasta la mitad del disco (R=35 mm), y después presione la tecla PROGRAM, la tecla PLAY ▷, y la tecla PAUSE |||, por este orden, a fin de cerrar los servos respectivos y poner el reproductor en el modo de reproducción.
3. Ajuste VR151 (TRK. GAN) hasta que la forma de onda de Lissajous sea simétrica alrededor del eje X y el eje Y.

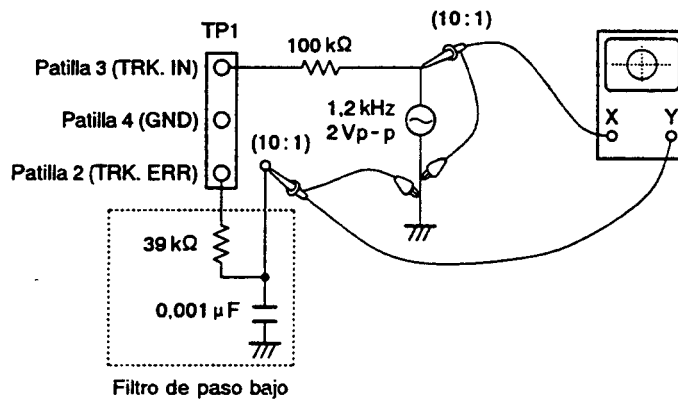
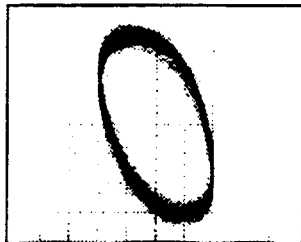
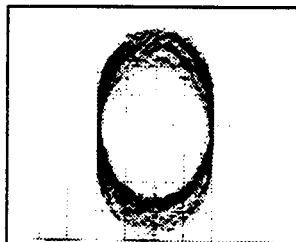


Figura 7

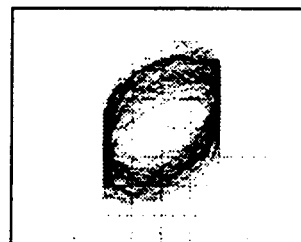
Ajuste de la ganancia de seguimiento



Ganancia superior



Ganancia óptima



Ganancia inferior

8. Verificación de la Señal de Error de Enfoque (Curva S de Enfoque)

<ul style="list-style-type: none"> ● Objetivo 	Juzgar si el captor está bien o no observando la señal de error de enfoque. El captor se juzga por la amplitud de la señal de error de seguimiento (como se ha indicado en la sección sobre el ajuste del equilibrio de error de seguimiento) y la forma de onda de la señal de error de enfoque.		
<ul style="list-style-type: none"> ● Síntomas en caso de desajuste 			
<ul style="list-style-type: none"> ● Conexión de los instrumentos de medición 	Conecte el osciloscopio a TP1, patilla 6 (FCS. ERR). [Ajustes] 100 mV/división 5 ms/división modo de CC	<ul style="list-style-type: none"> ● Estado del reproductor ● Lugar de ajuste ● Disco 	Modo de prueba, parada Ninguno YEDS-7

[Precedimiento]

1. Conecte TP1, patilla 5, a masa.
2. Coloque el disco.
3. Contemplando la pantalla del osciloscopio, presione la tecla PROGRAM y observe durante un momento la forma de onda de la figura 8. Verifique si la amplitud es de 2,5 Vp-p por lo menos y si la amplitud de las partes positiva y negativa son iguales. Como la forma de onda solamente sale durante un momento cuando se presiona la tecla PROGRAM, presione una y otra vez esta tecla hasta que logre comprobar la forma de onda.

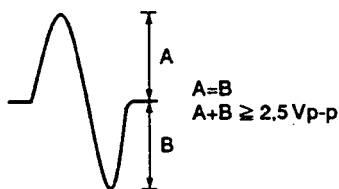


Figura 8

[Juicio sobre el captor]

No juzgue el captor hasta haber finalizado correctamente todos los ajustes. En los casos siguientes es posible que haya algo erróneo en el captor.

1. La amplitud de la señal de error de seguimiento es extremadamente pequeña (menos de 2 Vp-p).
2. La amplitud de la señal de error de enfoque es extremadamente pequeña (menos de 2,5 Vp-p).
3. Las amplitudes de las partes positiva y negativa de la señal de error de enfoque son extremadamente asimétricas (relación de 2:1 o superior).
4. La señal de RF es demasiado pequeña (menos de 0,8 Vp-p) y aunque se ajuste VR1 (potencia de láser), la señal de RF no puede aumentarse hasta el nivel estándar.

6. DISASSEMBLY

6.1 REMOVE THE TRAY PANEL AND THE TRAY LENS

Hold the tray panel with your hands as the figure shown right, and grasp the tray with your thumbs and then lift the tray panel up while pulling it toward you with the other fingers. (Figs. 1 and 2)

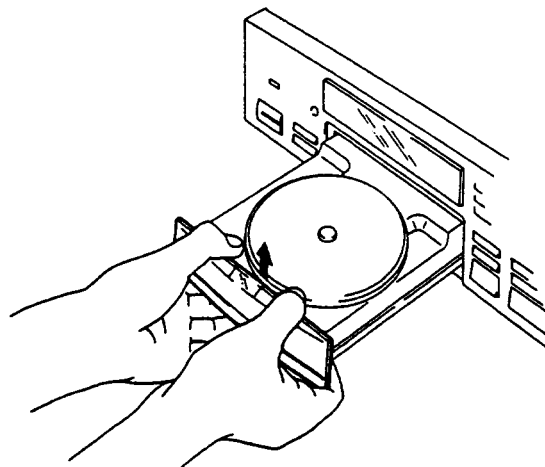


Fig. 1

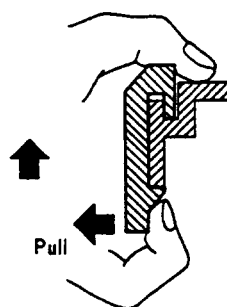


Fig. 2

6.2 INSTALL THE TRAY PANEL AND THE TRAY LENS

Align the tray panel with the grooves located at both edges of the tray while holding the tray lens with your fingers, and then press it down till it stops. (Fig. 3)

Hold the tray panel and the tray as shown in Fig. 4 and slide them down till you hear a click sound while pressing strongly with your thumbs. (Figs. 4 and 5)

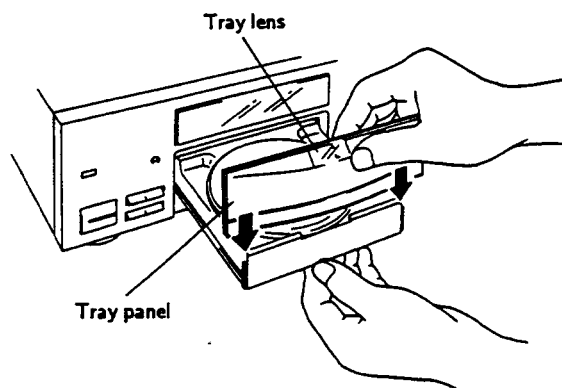


Fig. 3

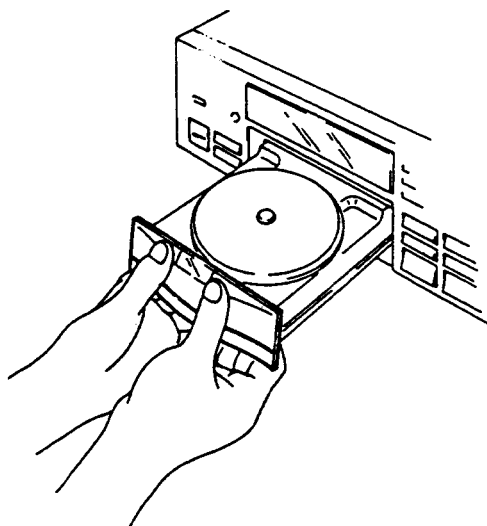


Fig. 4

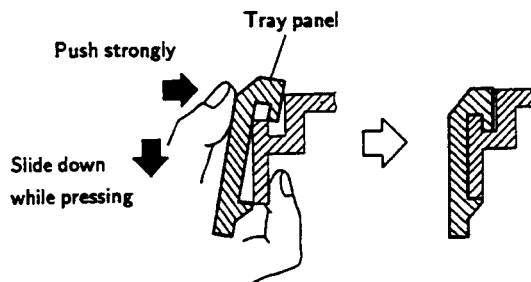


Fig. 5

7. FOR PD-S701/KC, HEM, HB, HPW, SD AND PD-S701-G/ HEM TYPES

CONTRAST OF MISCELLANEOUS PARTS

NOTES:

- Parts marked by "NSP" are generally unavailable because they are not in our Master Spare Parts List.
- The Δ mark found on some component parts indicates the importance of the safety factor of the part. Therefore, when replacing, be sure to use parts of identical designation.
- Parts marked by "⊙" are not always kept in stock. Their delivery time may be longer than usual or they may be unavailable.

PD-S701/KC, HEM, HB, HPW, SD, PD-S701-G/HEM and PD-32/KU have the same construction except for the following:

Mark	Symbol & Description	Part No.							Remarks
		PD-32/ KU	PD-S701/ KC	PD-S701/ HEM	PD-S701/ HB	PD-S701/ HPW	PD-S701/ SD	PD-S701-G/ HEM	
⊙	Mother board assembly	PWM1624	PWM1624	PWM1625	PWM1625	PWM1626	PWM1627	PWM1625	
Δ	Strain relief	CM - 22C	CM - 22C	CM - 22B	CM - 22B	CM - 22B	CM - 22B	CM - 22B	
Δ	AC power cord	PDG1015	PDG1015	PDG1003	PDG1036	PDG1006	PDG1013	PDG1003	
Δ	Power transformer (10W) (AC120V)	PTT1269	PTT1269	
Δ	Power transformer (11W) (AC220 - 230/230 - 240V)	PTT1242	PTT1242	PTT1242	PTT1242	
Δ	Power transformer (11W) (AC110/120 - 127/220/240V)	PTT1243	
Δ	Voltage selector (AC110/120 - 127/220/240V)	PSB1002	
	Name plate	AAM1001	PAM1509	PAM1509	PAM1509	PAM1509	PAM1509	
	Base	PAN1262	
	Screw	PBA1071	
	Side spacer	PEB1217	
	Side sheet	PNM1187	
	Panel stabilizer	PNW2179	
	Control panel	PNW2180	PNW2160	PNW2160	PNW2160	PNW2160	PNW2160	
	Control panel G	PNW2181	
	Front panel assembly	PEA1214	PEA1201	PEA1201	PEA1201	PEA1201	PEA1201	
	Front panel assembly G	PEA1242	
	Display window	PAM1576	PAM1576	PAM1570	PAM1570	PAM1576	PAM1576	PAM1570	
	Power button	PAC1658	PAC1658	PAC1658	PAC1658	PAC1658	PAC1658	
	Power button G	PAC1675	
	Play button	PAC1659	PAC1659	PAC1659	PAC1659	PAC1659	PAC1659	
	Play button G	PAC1676	
	Track button	PAC1660	PAC1660	PAC1660	PAC1660	PAC1660	PAC1660	
	Track button G	PAC1679	
	Headphone knob G	PAC1680	
	Bonnet	PYY1148	PYY1148	PYY1148	PYY1148	PYY1148	PYY1148	PYY1165	
	Knob C	RAC1608	RAC1608	RAC1608	RAC1608	RAC1608	RAC1608	
NSP	Front panel	PAN1249	PAN1241	PAN1241	PAN1241	PAN1241	PAN1241	
NSP	Front panel G	PAN1250	
NSP	Rear base	PNA1840	PNA1841	PNA1798	PNA1838	PNA1839	PNA1842	PNA1843	
	Tray name plate	PNW1949	PNW1949	PNW1949	PNW1949	PNW1949	PNW1949	
	Tray name plate G	PNW2177	
	Styrol protector F	PHA1204	PHA1163	PHA1163	PHA1163	PHA1163	PHA1163	PHA1163	

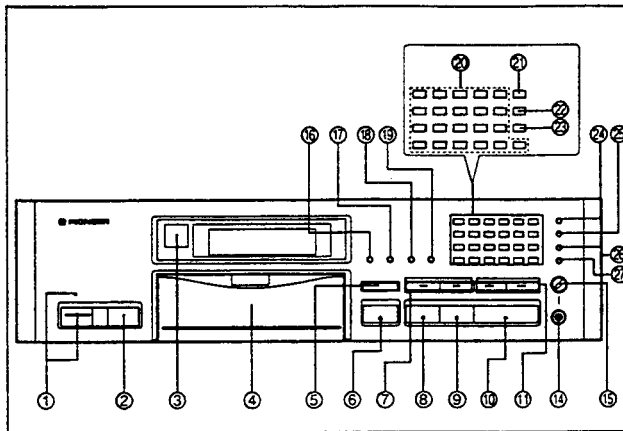
Mark	Symbol & Description	Part No.							Remarks
		PD-32/ KU	PD-S701/ KC	PD-S701/ HEM	PD-S701/ HB	PD-S701/ HPW	PD-S701/ SD	PD-S701-G/ HEM	
	CD packing case	PHG1808	PHG1809	PHG1784	PHG1784	PHG1784	PHG1784	PHG1810	
	Remote control unit	PWW1089	PWW1089	PWW1069	PWW1069	PWW1069	PWW1089	PWW1078	
	Battery lid	PZN1001	PZN1001	PZN1001	PZN1001	PZN1001	PZN1001	PZN1011	
	Cord with plug (mini plug)	PDE - 319	PDE - 319	PDE - 319	
	Operating instructions (English)	PRB1170	PRB1171	PRB1171	PRB1171	
	Operating instructions (English/French)	PRE1157	PRE1157	PRE1157	
	Operating instructions (German/Italian/Dutch/Swedish/ Spanish/Portuguese)	PRF1055	PRF1055	

MOTHER BOARD ASSEMBLY

PWM1625, PWM1626, PWM1627 and PWM1624 have the same construction except for the following:

Mark	Symbol & Description	Part No.				Remarks
		PWM1624	PWM1625	PWM1626	PWM1627	
	IC31	ICP-N10	ICP-N10	ICP-N10	
	D391-394	1SS254	1SS254	
	L391, 392	LAU010K	LAU010K	
	R391	RD1/6PM244	RD1/6PM244	
	R392	RD1/6PM102	RD1/6PM102	
	JA391, 392	PKN1004	PKN1004	

8. PANEL FACILITIES



FRONT PANEL

- ① **POWER STANDBY/ON switch and STANDBY indicator**
- ② **DISPLAY OFF button**
- ③ **Remote sensor**
Receives the signal from the remote control unit.
- ④ **Disc tray**
- ⑤ **TIME button**
- ⑥ **OPEN/CLOSE button (▲)**
- ⑦ **Manual search buttons (◀◀/▶▶)**
- ⑧ **Stop button (■)**
- ⑨ **Pause button (||)**
- ⑩ **Play button (▶)**
- ⑪ **Track search buttons (◀◀/▶▶)**
- ⑭ **Headphones jack (PHONES)**
- ⑮ **Headphones line/volume control (PHONES/ LINE LEVEL)**
- ⑯ **PEAK SEARCH button**
- ⑰ **AUTO SPACE button**
- ⑱ **•COMPU/•AUTO EDIT button**
- ⑲ **TIME FADE EDIT button**
- ⑳ **Track number/Digit buttons (1 - 20, >20)**
- ㉑ **PGM button**
- ㉒ **CHECK button**
- ㉓ **CLEAR button**
- ㉔ **DELETE button**
- ㉕ **RESERVE button**
- ㉖ **REPEAT button**
- ㉗ **RANDOM button**

9. SPECIFICATIONS

1. General

Type	Compact disc digital audio system
Power requirements	AC 120 V, 60 Hz
Power consumption	15W
Operating temperature	+5°C - +35°C +41°F - +95°F
Weight	4.2 kg (9 lb, 4 oz)
External dimensions	440(W) X 276(D) X 130(H) mm 17-5/16(W) X 10-7/8(D) X 5-2/16(H) in

2. Audio section

Frequency response	2 Hz - 20 kHz
S/N ratio	108 dB or more (EIAJ)
Dynamic range	96 dB or more (EIAJ)
Harmonic distortion	0.0026% or less (EIAJ)
Output voltage	2.0 V
Wow and flutter	Limit of measurement (±0.001% W.PEAK) or less (EIAJ)
Channels	2-channel (stereo)

3. Output terminal

- Audio line output jacks (VARIABLE)
- Audio line output jacks (FIXED)
- Control input/output jacks
- Optical digital output jacks
- CD-DECK SYNCHRO jack
- Headphone jack (with motor drive volume control)

4. Functions

- Basic operation buttons
 - PLAY, PAUSE, STOP
- Search function
 - Direct play
 - Track search
 - Manual search
- Hi-Lite scan
- Programming
 - Maximum 24 steps
 - Pause
 - Program check/correction
 - Program clear (single track or all tracks)
 - Delete play
- Repeat functions
 - 1 track repeat
 - All tracks repeat
 - Program play repeat
 - Random play repeat
 - Delete play repeat
 - Delete random play repeat
 - Hi-Lite scan repeat
- Random play (repeat also available)
 - Delete random play (repeat also available)
- Switching display
 - Time consumed, remaining time (track/disc), and total time
- Display off function
 - Timer start
 - Peak search
 - Auto space
 - Reserve function
 - Compu/Auto program editing
 - Selects the tracks within the specified time.
 - Time fade editing

5. Accessories

● Remote control unit	1
● Size AAA/R03/dry batteries	2
● Control cord	1
● Output cable	1
● Operating instructions	1

NOTE:

Specifications and design subject to possible modification without notice, due to improvements.