

STEREO TURNTABLE  
**PL-12D-II**  
KUT, KCT

<ART-117-0>

# *Service Manual*



 **PIONEER®**

# CONTENTS

|   |   |
|---|---|
| 1. SPECIFICATIONS.....                      | 2 |
| 2. EXPLODED VIEW                            |   |
| 2.1 Main panel .....                        | 3 |
| 2.2 Tone arm assembly (PPD-520).....        | 5 |
| 2.3 Belt guide assembly (KXA-093).....      | 5 |
| 2.4 Function lever assembly (PXA-005) ..... | 6 |
| 2.5 Speed selector assembly (KXA-296).....  | 6 |
| 2.6 Motor.....                              | 7 |
| 2.7 Cabinet .....                           | 8 |
| 2.8 Packing .....                           | 9 |

# 1. SPECIFICATIONS

## MOTOR AND TURNTABLE

|                               |   |
|-------------------------------|---|
| Motor .....                   | 4-pole synchronous                                |
| Turntable driver .....        | Belt-driven                                       |
| Speed .....                   | Two speeds: 33-1/3, 45rpm                         |
| Wow and flutter .....         | 0.08% (WRMS) or less                              |
| S/N .....                     | 48dB or more                                      |
| Turntable platter .....       | 30cm (12 in.) diameter<br>die-cast aluminum alloy |
| Tonearm .....                 | Static balance type pipe arm                      |
| Effective arm length .....    | 22.1cm  |
| Usable cartridge weight ..... | 4 to 10g  |

## SUBFUNCTIONS

Anti-skating device  
 Lateral balance  
 Viscous-damped arm elevation  
 Plug-in type light aluminum head shell  
 Counterweight with tracking force adjustment gauge  
 Overhang checker

## MISCELLANEOUS

|                          |   |
|--------------------------|---|
| Power requirements ..... | AC 120V (60Hz)  |
| Power consumption .....  | 11W   |
| Dimensions .....         | 430(W) x 167(H) x 349(D)mm<br>17(W) x 6-9/16(H) x 13-3/4(D) in. |
| Weight .....             | 7.5kg, 16 lb 8oz.   |

## ACCESSORIES

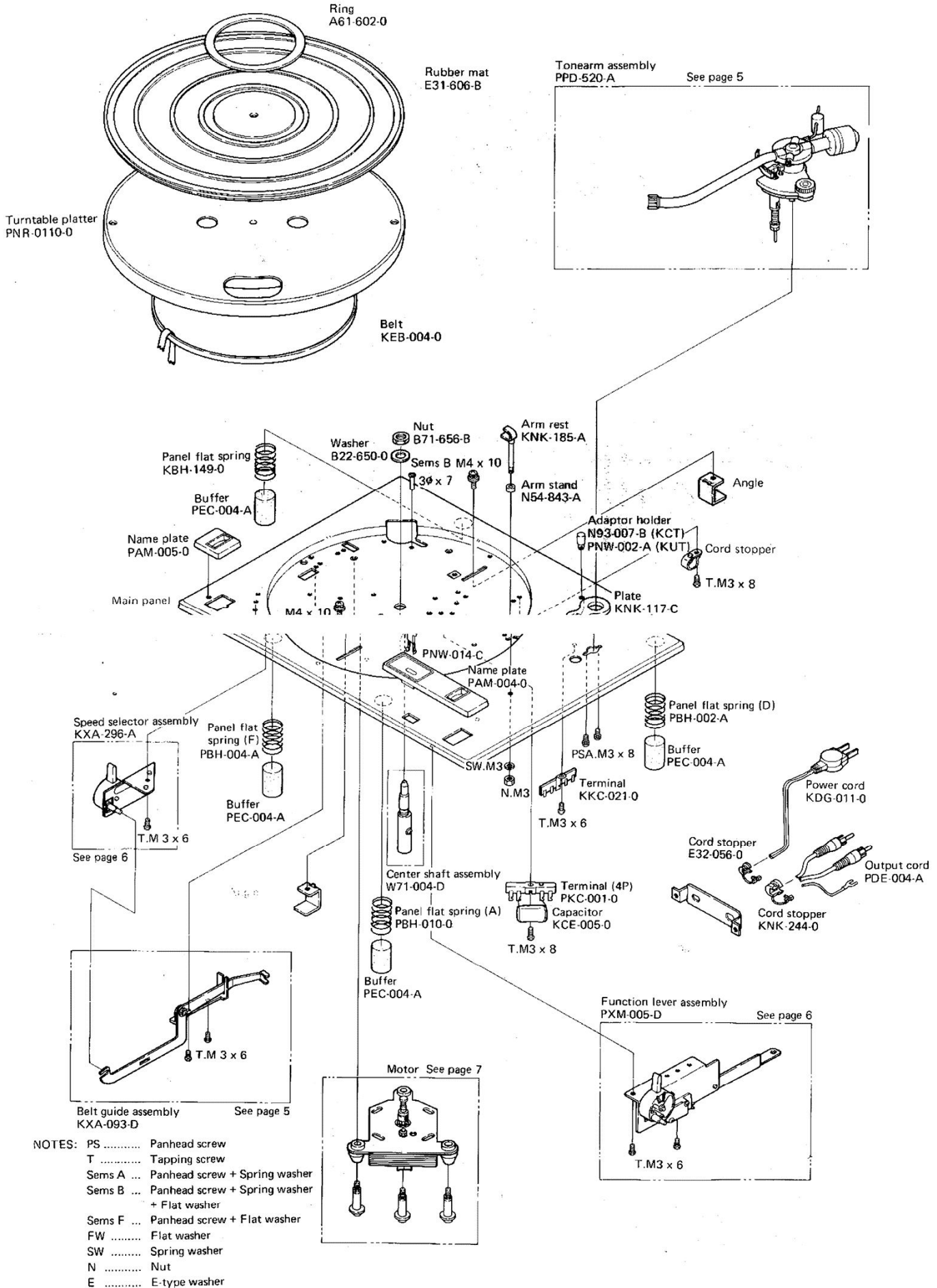
|                                  |   |
|----------------------------------|---|
| Lubricator .....                 | 1 |
| Screwdriver .....                | 1 |
| EP record adaptor .....          | 1 |
| Sub weight .....                 | 1 |
| Cartridge mounting screws .....  | 6 |
| Cartridge mounting washers ..... | 2 |
| Cartridge mounting nuts .....    | 2 |
| Operating Instructions .....     | 1 |

### NOTES:

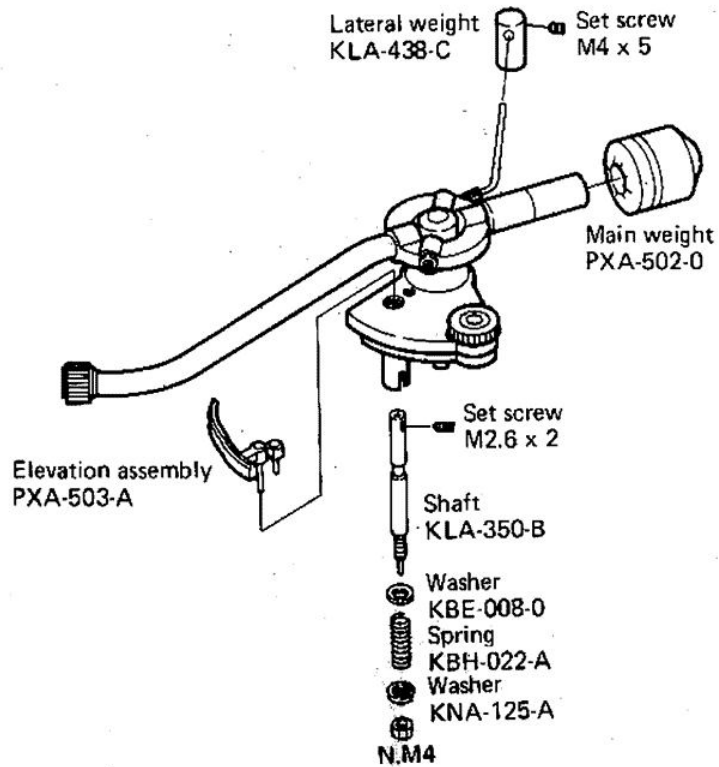
- o Above specifications refer to combination of turntable PL-12D-II with the Pioneer Phono cartridge PC-30.
- o Specifications and the design subject to possible modification without notice due to improvements.

## 2. EXPLODED VIEW

2.1 MAIN PANEL NOTE: Parts indicated in green cannot be supplied.

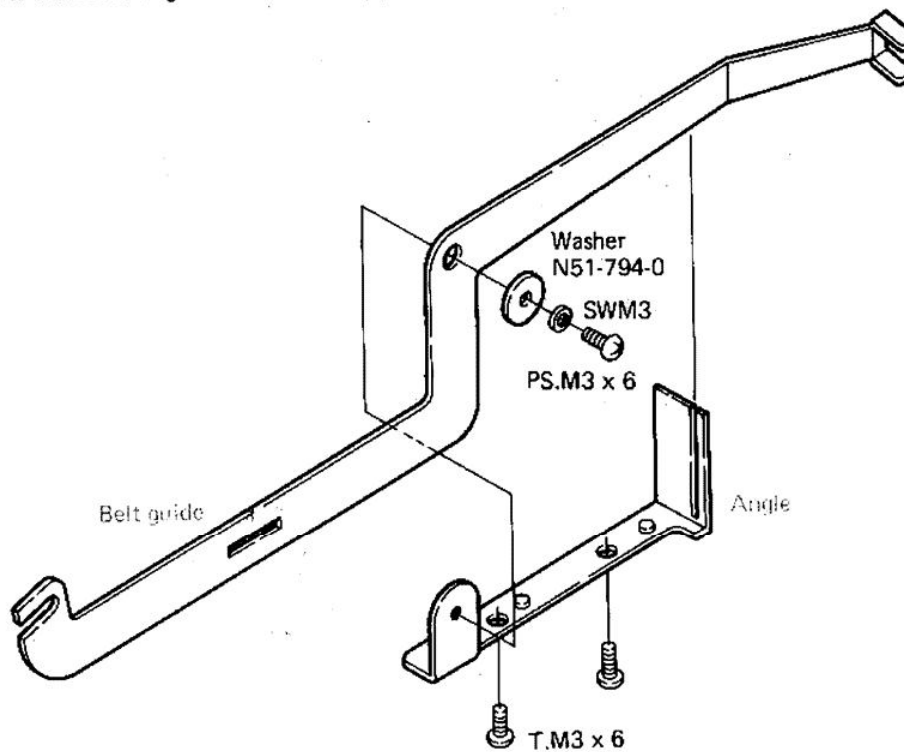


## 2.2 TONE ARM ASSEMBLY (PPD-520)



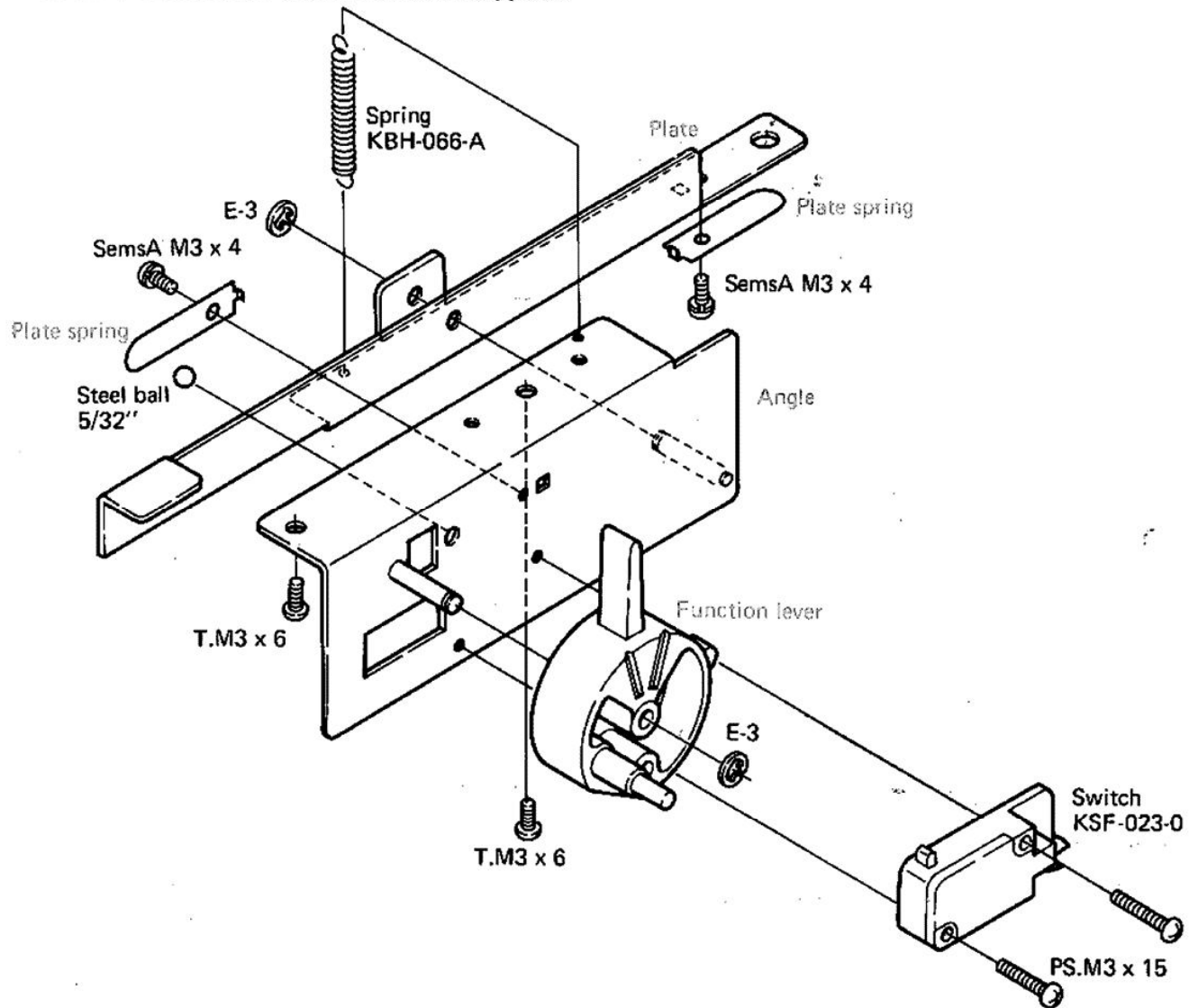
## 2.3 BELT GUIDE ASSEMBLY (KXA-093)

NOTE: Parts indicated in green cannot be supplied.



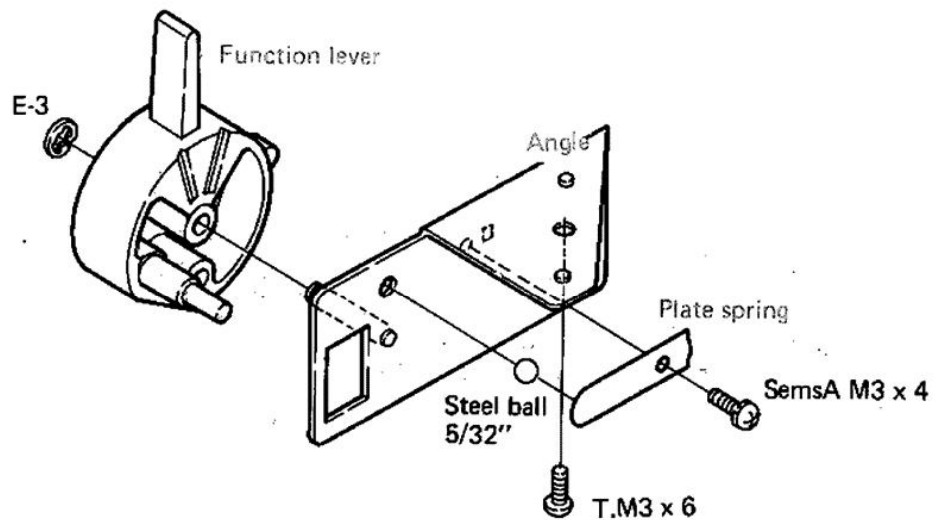
## 2.4 FUNCTION LEVER ASSEMBLY (PXA-005)

NOTE: Parts indicated in green cannot be supplied.



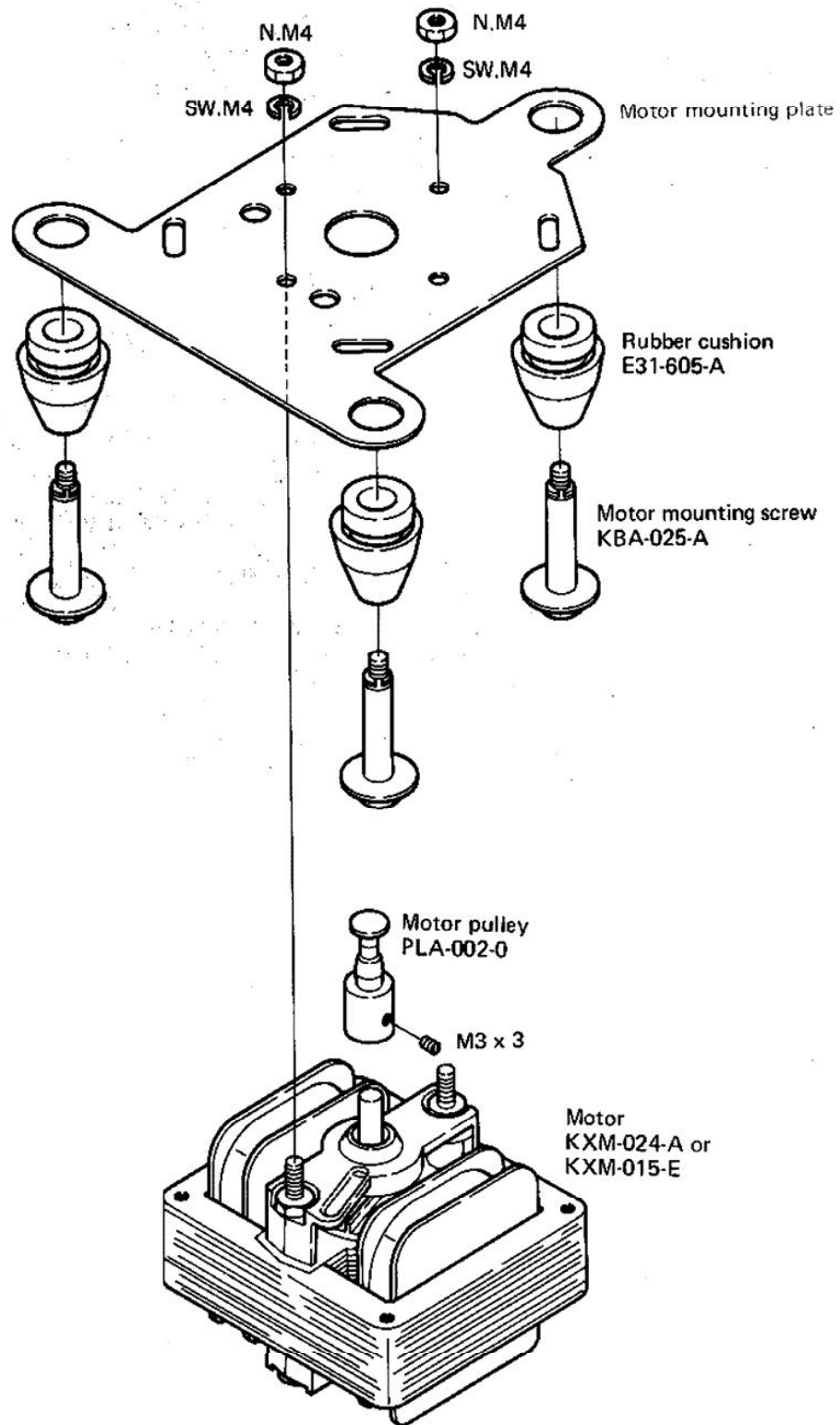
## 2.5 SPEED SELECTOR ASSEMBLY (KXA-296)

NOTE: Parts indicated in green cannot be supplied.



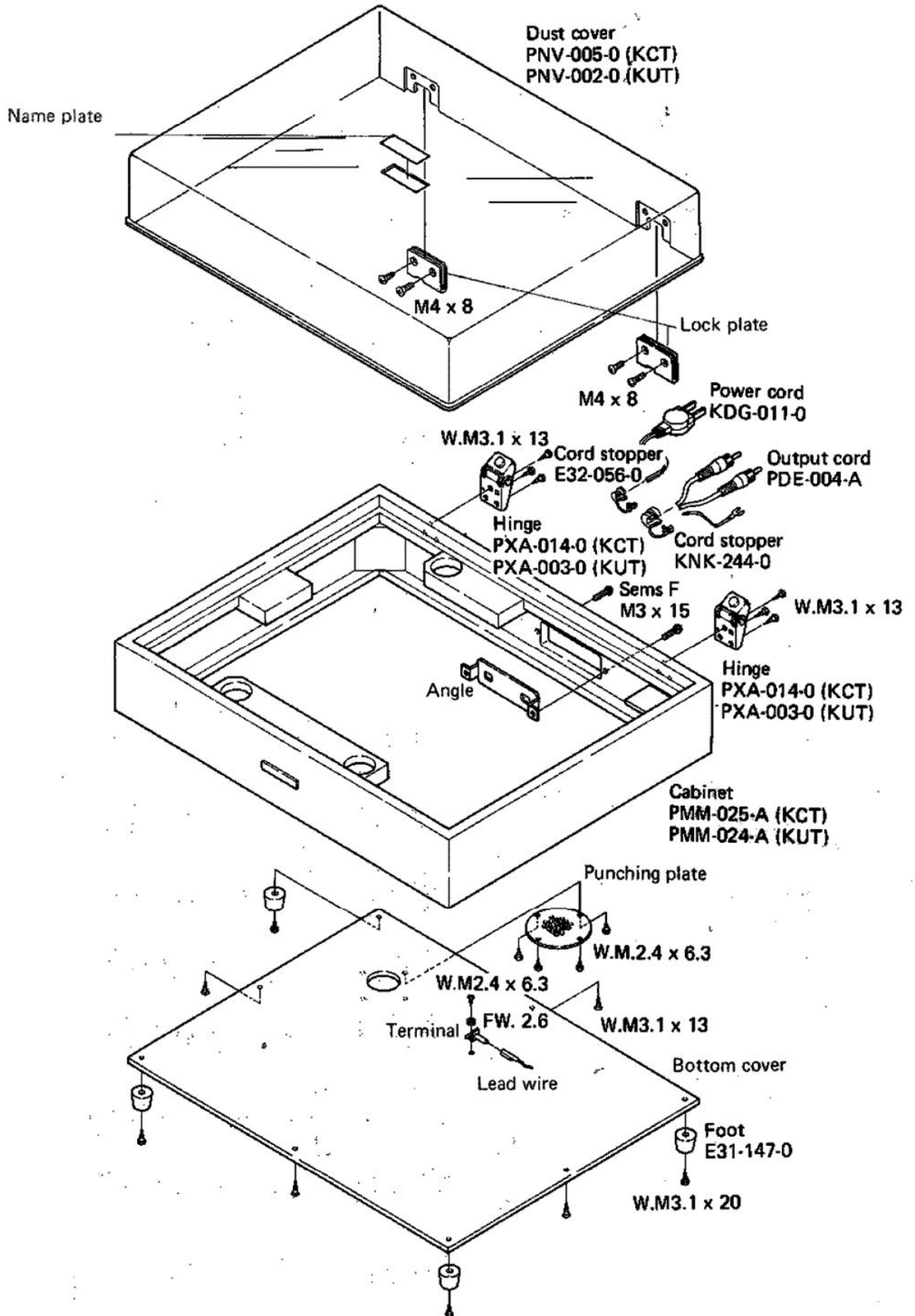
## 2.6 MOTOR

NOTE: Parts indicated in green cannot be supplied.



## 2.7 CABINET

NOTE: Parts indicated in green cannot be supplied.

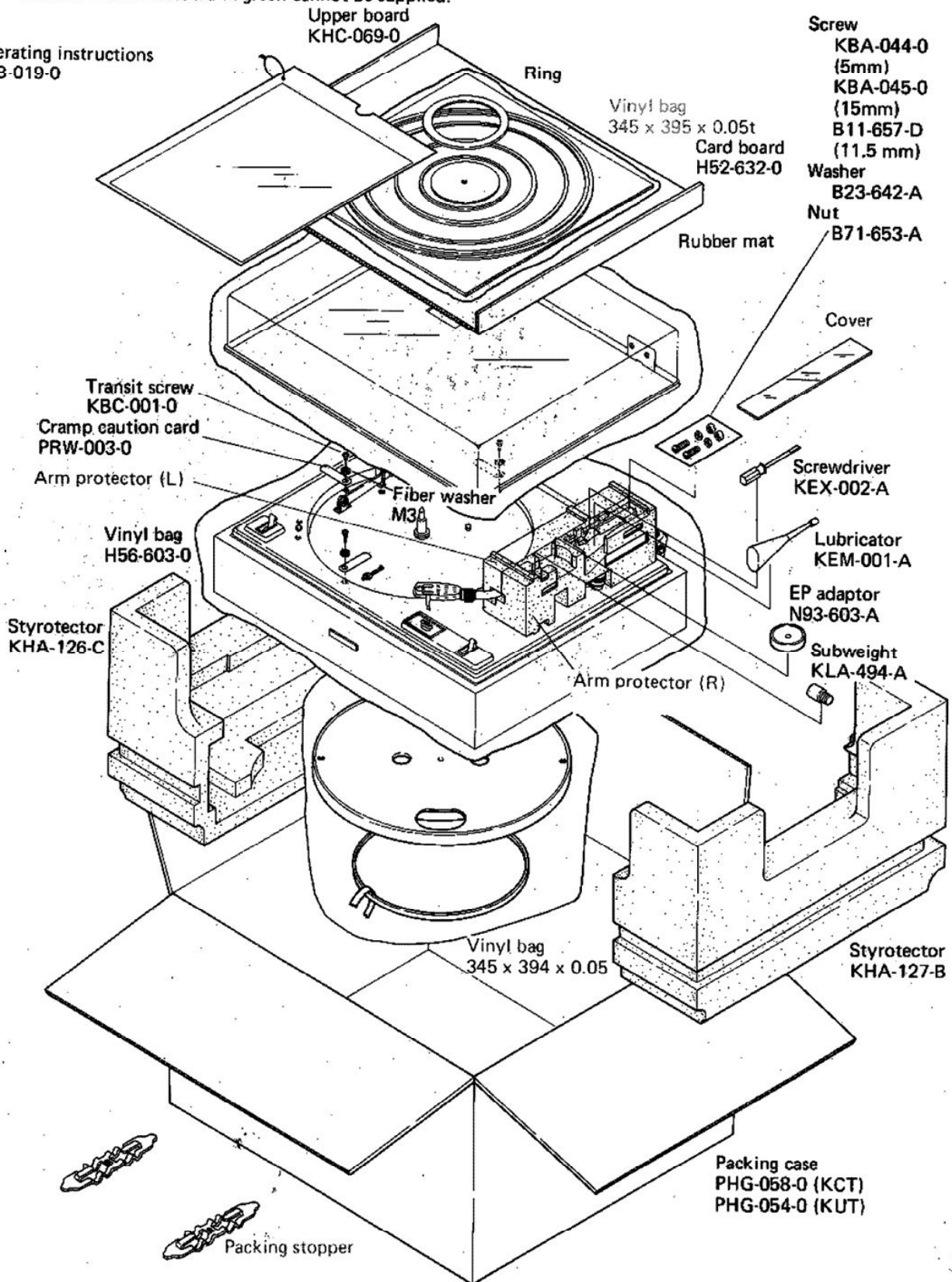




## 2.8 PACKING METHOD

NOTE: Parts indicated in green cannot be supplied.

Operating instructions  
PRB-019-0



**PIONEER ELECTRONIC CORPORATION**

4-1, 1-Chome, Meguro, Meguro-ku, Tokyo 153, Japan

**U.S. PIONEER ELECTRONICS CORPORATION**

75 Oxford Drive, Moonachie, New Jersey 07074, U.S.A.

**PIONEER ELECTRONIC (EUROPE) N.V.**

Meir-Center Meir 21, 2000 Antwerp, Belgium

**PIONEER ELECTRONICS AUSTRALIA PTY. LTD.**

256-8 City Road, South Melbourne, Victoria 3205, Australia

APR. 1975

