

DIRECT DRIVE STEREO TURNTABLE

PL-510A

<ART-182-0>

Service Manual



 **PIONEER[®]**

CONTENTS

1.	SPECIFICATIONS	4
2.	PANEL FACILITIES	5
3.	PARTS LOCATIONS	
3.1	Top View	7
3.2	Under View	9
4.	EXPLODED VIEW	11
4.1	Motor (PXM-020)	13
4.2	Function Mechanism Assembly	14
4.3	Anti Skating Assembly (PXA-641)	15
4.4	Tonearm Assembly (PPD-539)	16
4.5	Packing	17
5.	NOMENCLATURE OF SCREWS, WASHERS AND NUTS	18
6.	SCHEMATIC DIAGRAM, P.C. BOARD PATTERNS AND PARTS LISTS	
6.1	Schematic Diagram	19
6.2	Power Supply Assembly B (PWR-006)	21
6.3	Driving Current Control Assembly	22
6.4	Positional Detector Assembly	24
6.5	Power Supply Assembly A (PWR-816)	25
7.	PXM-020 OUTLINE OF OPERATION	
7.1	Structure	26
7.2	Operation of the Motor (See Connection Diagram)	26
7.3	Speed Control	26
7.4	Temperature Composition	27
8.	TROUBLE SHOOTING CHART	
8.1	Motor Does Not Turn	29
8.2	Wide Variations in Motor Speed	30
8.3	Motor Races	31
9.	ADJUSTMENT	
9.1	Motor Speed	32
9.2	Arm Elevation	32

Service information for PL-510A/KCT, KUT is described through pages 4 to 32

Additional Service Manual (HGT model)

10. SPECIFICATIONS 34
11. EXPLODED VIEW..... 35
12. SCHEMATIC DIAGRAM..... 37
13. P.C. BOARD PATTERN AND PARTS LIST..... 38

Additional Service Manual (ST.S model)

14. SPECIFICATIONS 42
15. EXPLODED VIEW..... 43
16. SCHEMATIC DIAGRAM..... 45
17. P.C. BOARD PATTERN AND PARTS LIST..... 46

1. SPECIFICATIONS

MOTOR AND TURNTABLE

Motor:	DC servo motor
Turntable drive:	Direct drive
Speed:	Two speeds: 33-1/3 rpm, 45 rpm
Wow and flutter:	0.03% (WRMS) or less
S/N:	68 dB (DIN-B) or more (with Pioneer cartridge model PC-135)
Turntable platter:	321mm diam. aluminum alloy
Moment of inertia:	240 kg-cm ² (including rubber mat)

TO NEARM

Tonearm type:	Static-balance, S-shaped, pipe arm
Effective arm length:	221mm
Tracking error:	+3° ~ -1°
Overhang:	15.5mm
Usable cartridge weight:	4g (min.) ~ 10g (max.) (For cartridge weighs over 8.5g, attach the sub weight)

SUBFUNCTIONS

Anti-skating force control	
Plug-in type headshell	
Oil-damped arm elevator	
Hinges (Free-adjustable)	
Lateral balance weight	
Fine speed adjusters	(33-1/3 rpm, 45 rpm: using the stroboscope for turntable speed adjustment).

ACCESSORIES

Headshell	1
Overhang gauge	1
EP adaptor	1
Screwdriver	1
Sub weight	1
Cartridge mounting screws	6
Cartridge mounting nuts	2
Cartridge mounting washers	2
Operating instructions	1

MISCELLANEOUS

Power requirements:	AC, 120V, 60Hz
Power consumption:	5W
Dimensions:	440(W) x 362(D) x 159(H) mm 17-5/16(W) x 14-1/4(D) x 6-1/4(H) in.
Weight:	8kg, 17lb 10oz

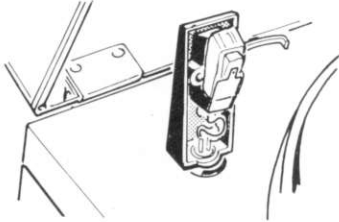
NOTE:
*Specifications and design subject to possible modification
without notice, due to improvements.*

2. PANEL FACILITIES

Headshell Stand

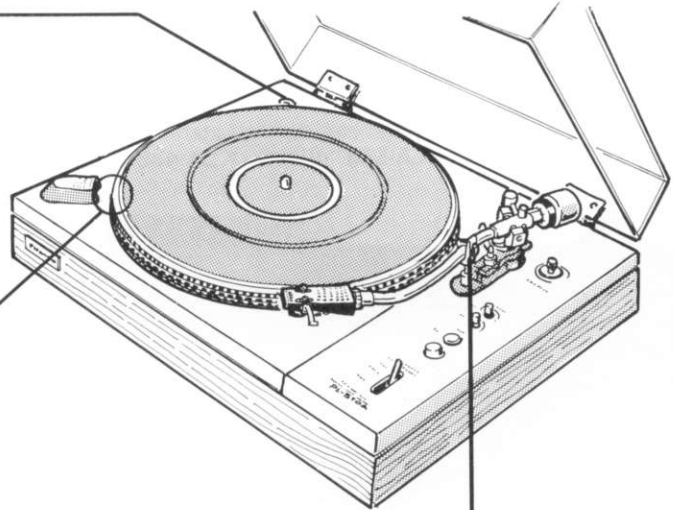
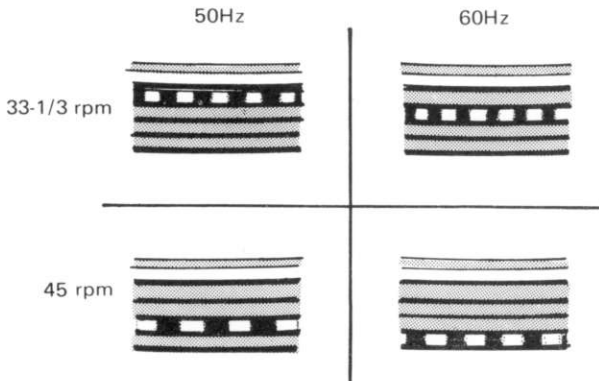
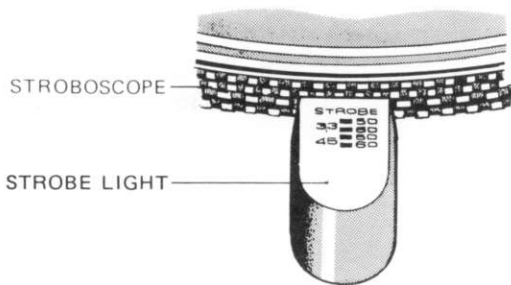
A spare headshell can be stored in this stand. Align the headshell pins with the stand grooves and insert.

Observe that the headshell length is not greater than the height of the dust cover. This stand can also be used for storing the EP adaptor.



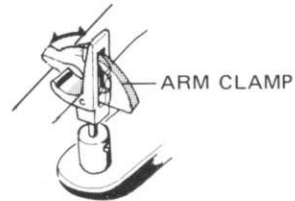
Stroboscope

Fine adjustments of rotation speed can be performed with the aid of the stroboscope. Adjust the SPEED ADJ. knobs while observing the pattern indicated bellow. If the rotation is fast, the pattern will appear to move toward the left, while movement toward the right indicates slow speed. Correct speed is obtained when the pattern appears to be stationary.



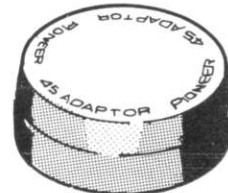
Arm Rest

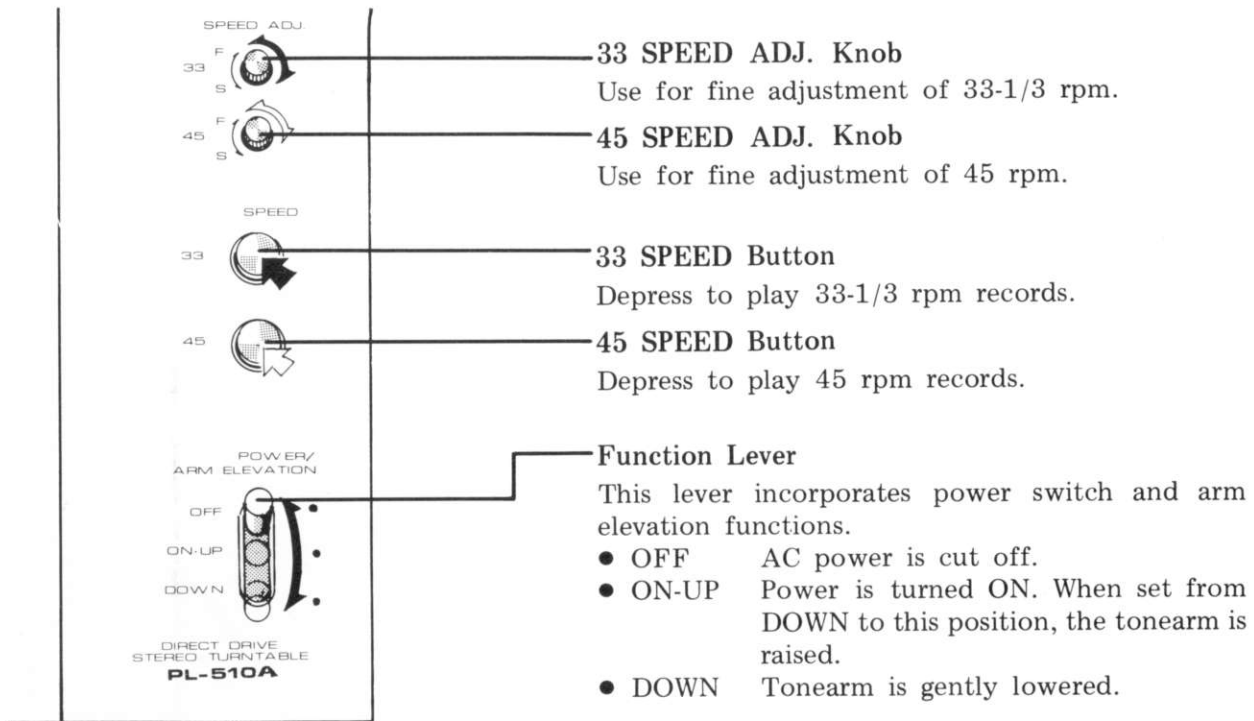
Supports the tonearm when not playing a record. At the end of a playing session, engage the clamp as illustrated below.



EP Adaptor

Place on center shaft when playing 45 rpm EP records.





OPERATION

1. Remove stylus cover.
2. Set function lever to ON-UP.
Strobe lamp lights and platter rotates.
3. Depress SPEED button (33 or 45) according to type of record.
4. Employ SPEED ADJ. controls and stroboscope to adjust rotating speed (required only once per listening session).
5. Disengage arm clamp and gently position the tonearm over the desired portion of the record.
6. Set function lever to DOWN.
Stylus will be gently lowered onto the record.
7. Adjust volume and tone controls of the stereo amplifier as desired.
8. At the end of the record, or to interrupt the record, set the function lever to ON-UP.
The stylus will be raised from the record.
9. Return tonearm to arm rest and engage clamp.
10. Set function lever to OFF. Power will be cut off and strobe lamp extinguished.
11. It is advisable to replace the stylus cover for protection whenever the turntable is not in use.

OPERATING PRECAUTIONS

- Keep stylus and records clean. Use a stylus brush to clean the stylus and a good quality record cleaner to clean the records each time before and after playing.
- Avoid exerting unnecessary force on the tonearm. When changing headshells, set the tonearm in the arm rest and engage the clamp.
- Take care not to impart vibration to the turntable while a record is playing. Record and stylus can be damaged.
- Avoid placing more than 2 records on the turntable platter while playing records.

3. PARTS LOCATIONS

3.1 TOP VIEW

45 SPEED ADJ. Knob
Use for fine adjustment of 45 rpm.

33 SPEED ADJ. Knob
Use for fine adjustment of 33-1/3 rpm.

45 SPEED Button
Depress to play 45 rpm records.

33 SPEED Button
Depress to play 33-1/3 rpm records.

Function Lever
This lever incorporates power switch and arm elevation functions.

- OFF AC power is cut off.
- ON-UP Power is turned ON. When set from DOWN to this position, the tonearm is raised.
- DOWN Tonearm is gently lowered.

10. Set function lever to OFF. Power will be cut off and strobe lamp extinguished.

11. It is advisable to replace the stylus cover for protection whenever the turntable is not in use.

OPERATING PRECAUTIONS

- Keep stylus and records clean. Use a stylus brush to clean the stylus and a good quality record cleaner to clean the records each time before and after playing.
- Avoid exerting unnecessary force on the tonearm. When changing headshells, set the tonearm in the arm rest and engage the clamp.
- Take care not to impart vibration to the turntable while a record is playing. Record and stylus can be damaged.
- Avoid placing more than 3 records on the turntable platter while playing records.

Output cord
PDE-004 (KCT)
PDE-016 (KUT)

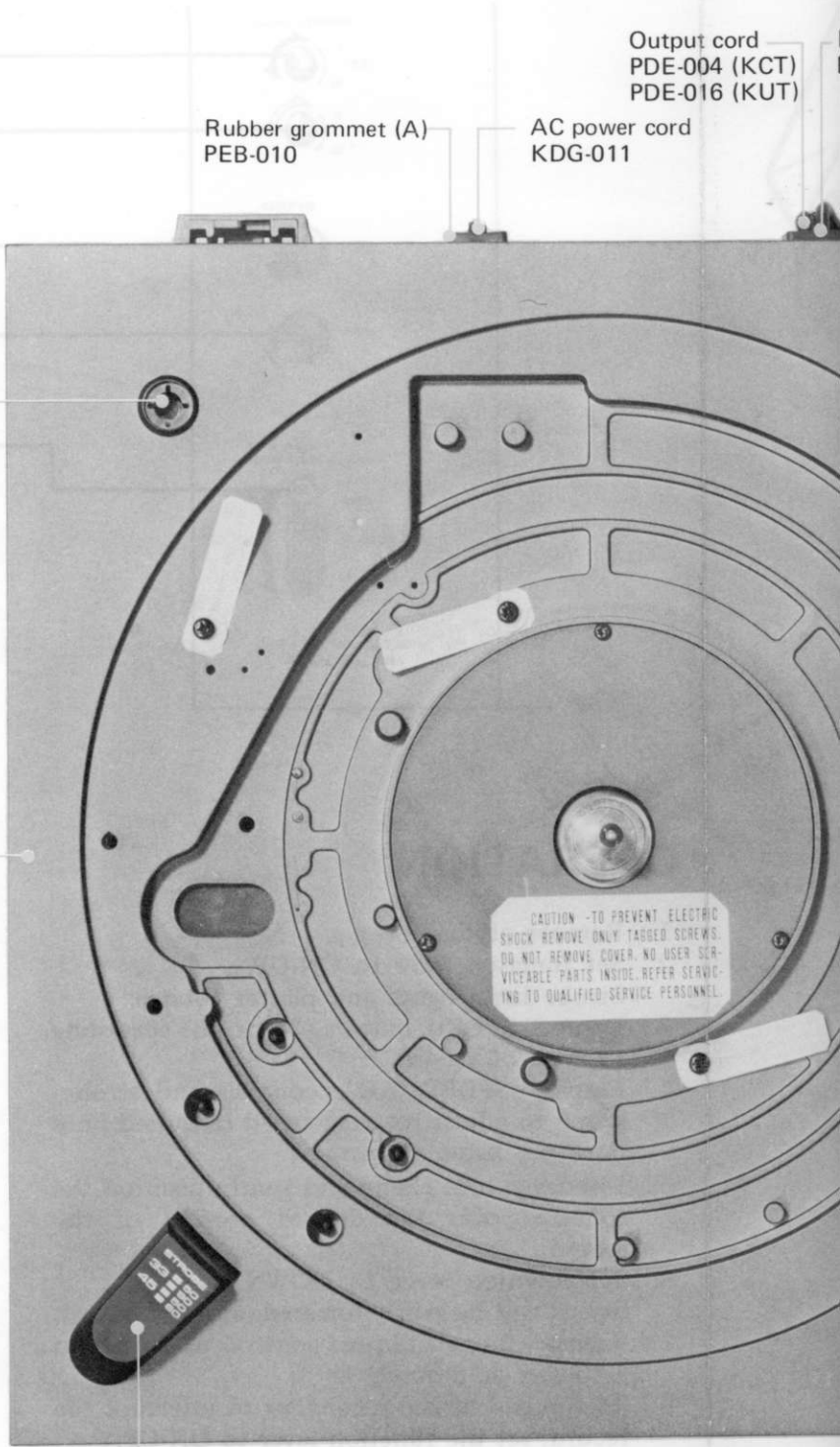
Rubber grommet (A)
PEB-010

AC power cord
KDG-011

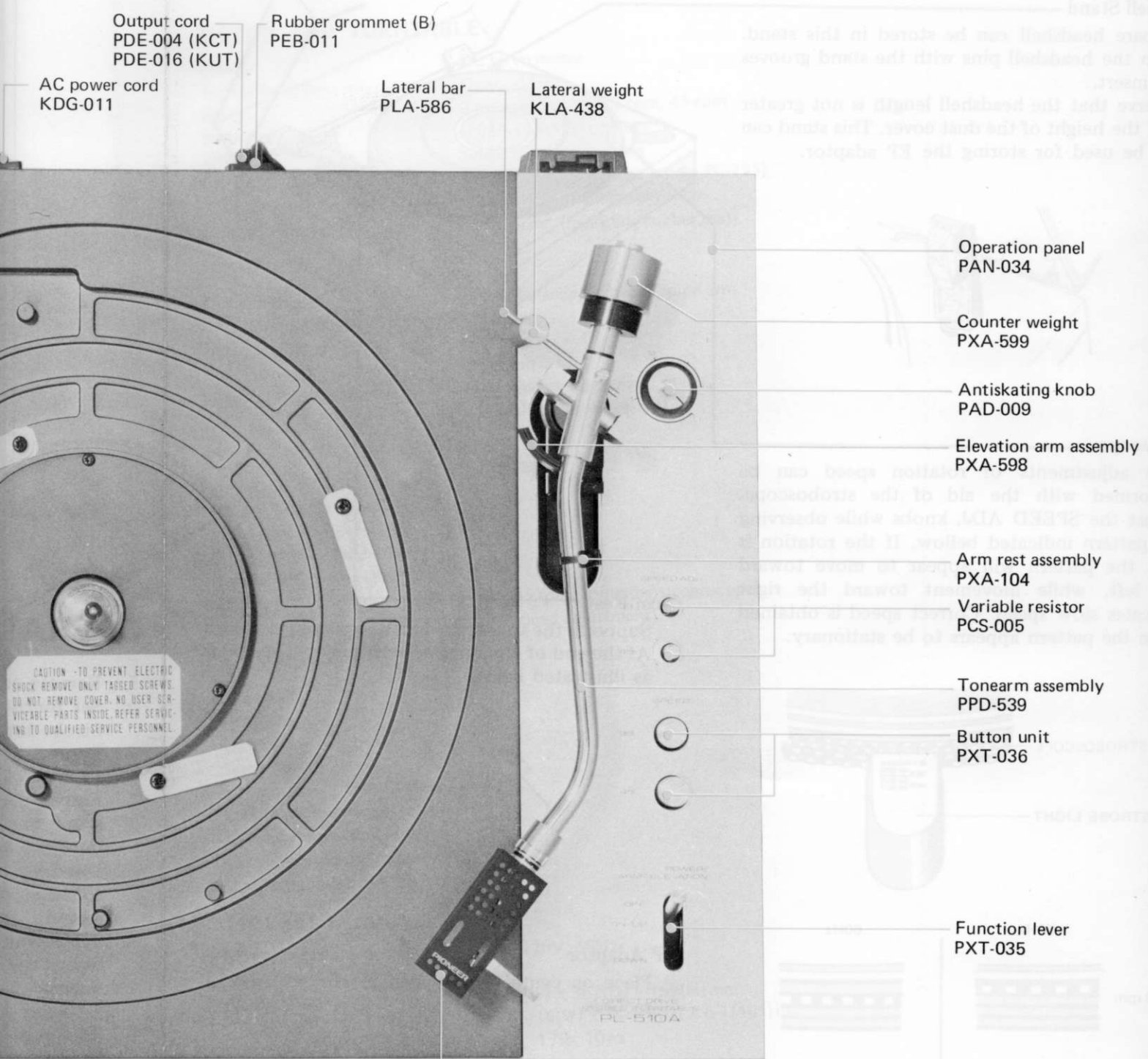
Headshell stand
PNW-073

Main panel
PNW-225

Strobe case assembly
PXA-221



CAUTION - TO PREVENT ELECTRIC SHOCK REMOVE ONLY TAGGED SCREWS. DO NOT REMOVE COVER. NO USER SERVICEABLE PARTS INSIDE. REFER SERVICING TO QUALIFIED SERVICE PERSONNEL.



Output cord
PDE-004 (KCT)
PDE-016 (KUT)

Rubber grommet (B)
PEB-011

AC power cord
KDG-011

Lateral bar
PLA-586

Lateral weight
KLA-438

Operation panel
PAN-034

Counter weight
PXA-599

Antiskating knob
PAD-009

Elevation arm assembly
PXA-598

Arm rest assembly
PXA-104

Variable resistor
PCS-005

Tonearm assembly
PPD-539

Button unit
PXT-036

Function lever
PXT-035

Headshell assembly
PXA-630

CAUTION - TO PREVENT ELECTRIC SHOCK REMOVE ONLY TAGGED SCREWS. DO NOT REMOVE COVER. NO USER SERVICEABLE PARTS INSIDE. REFER SERVICING TO QUALIFIED SERVICE PERSONNEL.

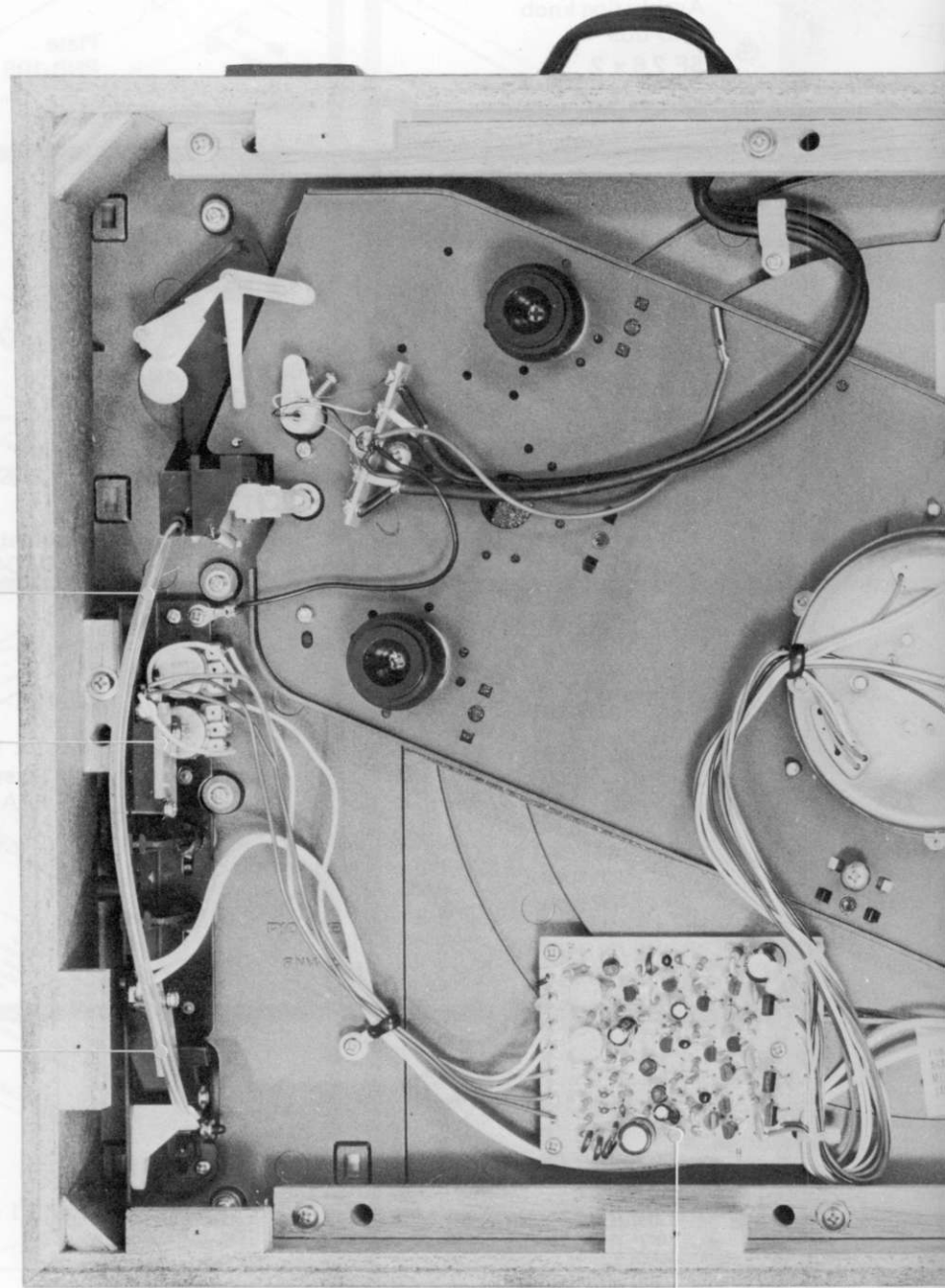
PL-510A

PREMANAGER

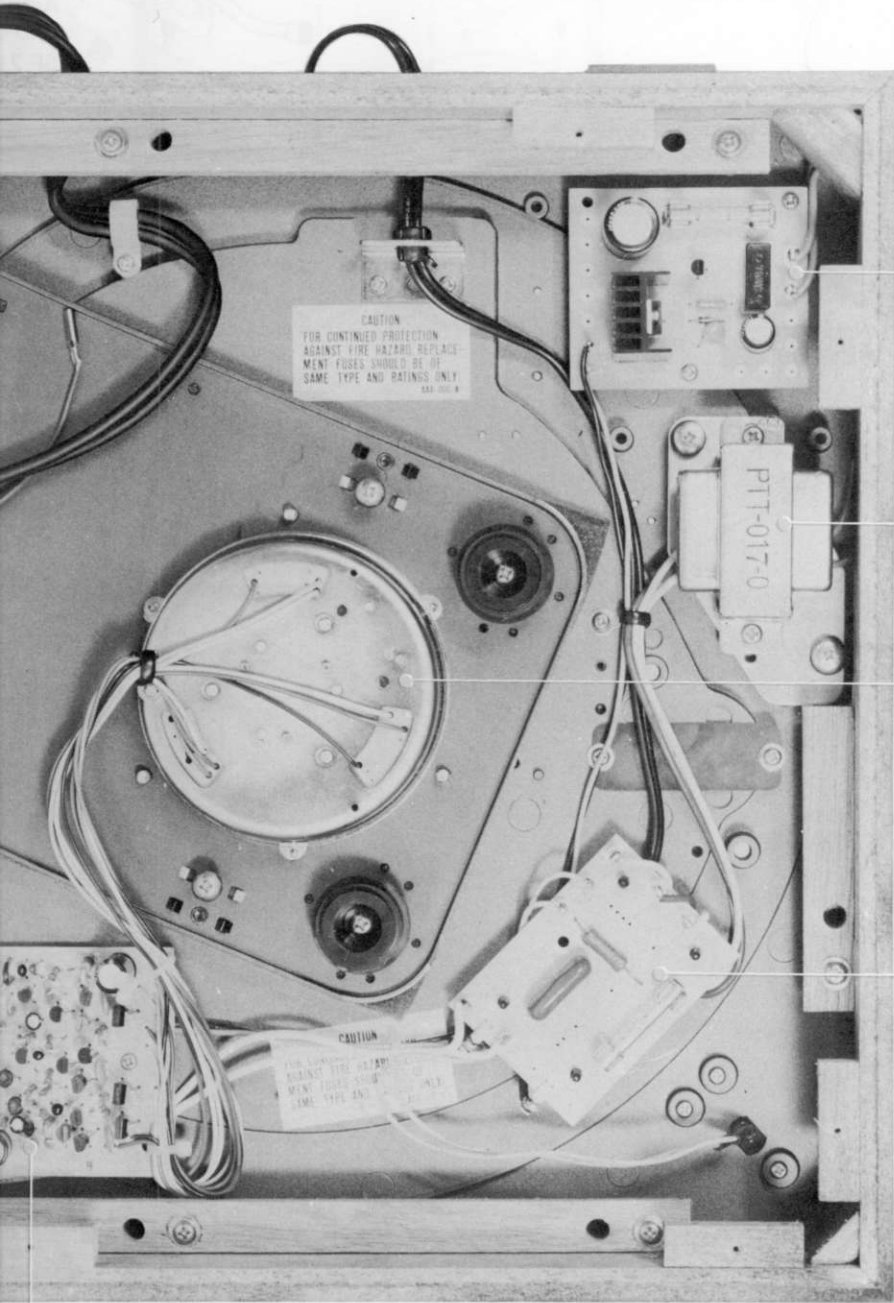
3.2 UNDER VIEW

Wire
PXT-523

Microswitch
KSF-016



Driving current control assem
PWG-007



Power supply assembly B
PWR-006

Power transformer
PTT-017

Motor (including
drive current
control assembly)
PXM-020

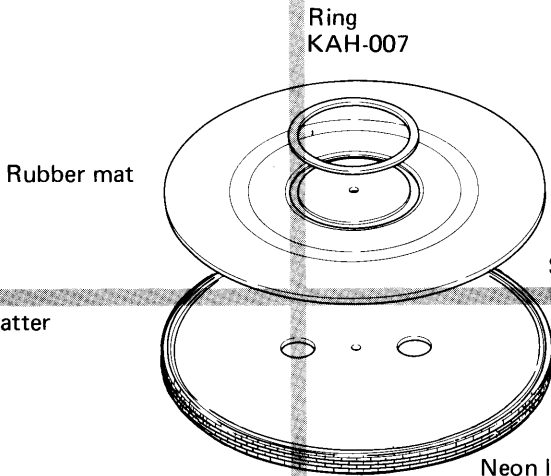
Power supply assembly A
PWR-816

Driving current control assembly
PWG-007

4. EXPLODED VIEW

A
B
C
D

1 2 3



Arm rest assembly
PXA-104
Arm rest unit
PXA-103
Arm rest stand
PLA-071

SF 3 x 2.5

Tone
PPD-
Anti-
PAD-
SF 2

Turntable platter
PNR-034

Screw
PBA-018

Strobe case assembly
PXA-221

Headshell stand
PNW-073

Operation panel
PAN-034

Strain
E32-0
R
P

Neon lamp
PEL-009

Main panel
PNW-225

Screw
PBA-
Cabl
KN

Screw PBA-021
Screw PBA-026

PSA 4 x 10

Power supply assembly B
PWR-006 (See page 21)

Screw
PBA-026

Rubber cushion
PEB-041

P.C. Board clip
KNK-186

Motor
PXM-020
Page on 13

Cushion
PEC-026

Screw
PBA-006

Power supply assembly A
PWR-816

PSA 4 x 6

Drive current control
assembly PWG-007

Screw
PBA-019

Spacer
PNW-179

PT 3 x 15

Power transformer
PTT-017

SP holder C
PNW-151
Cushion
PEC-015
Float spring
PBH-087
SP holder B
PNW-133
SP holder D
PNW-169

PSA 3 x 25

PBA-013

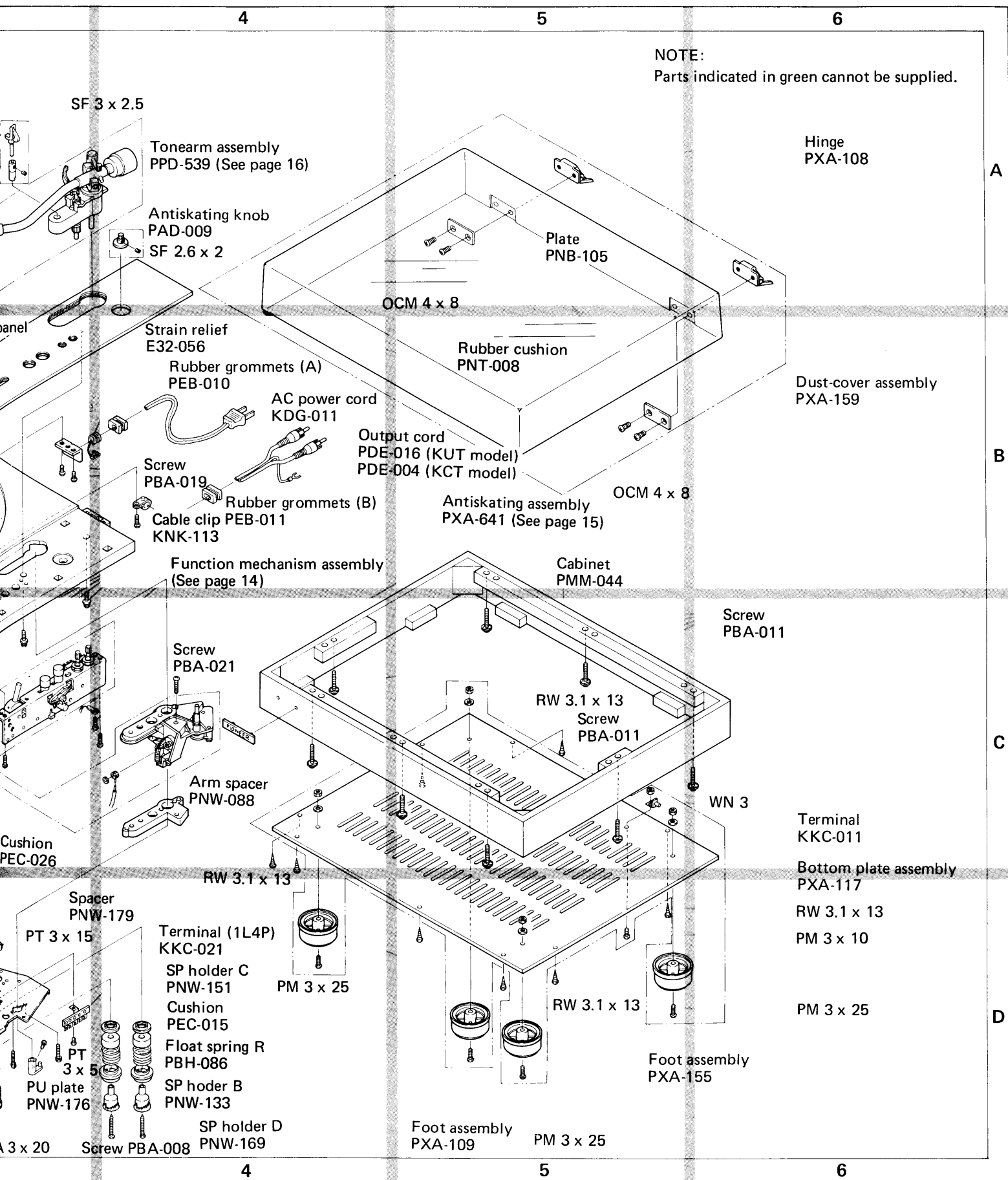
PT 3 x 5
PU plate
PNW-176

Screw
PBA-008

PSA 3 x 20

Screw PBA-00

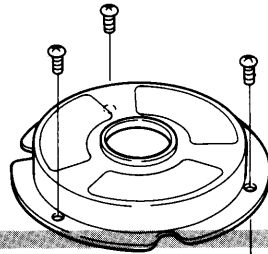
1 2 3



4.1 MOTOR (PXM-020)

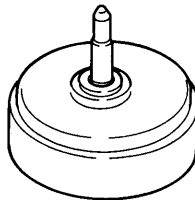
NOTE:
Parts indicated in green cannot be supplied.

A

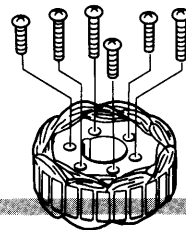


PT 2.6 x 6

B



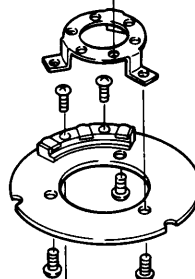
PM 2.6 x 20



PM 2.6 x 30

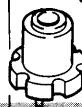
C

Locational detector assembly
PWX-004



PM 2.6 x 6

Steel ball (B)
PEF-001

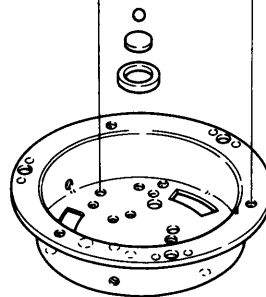


PM 2.6 x 3

D

Thrust catch
PNW-011

Rubber bush
PNT-002

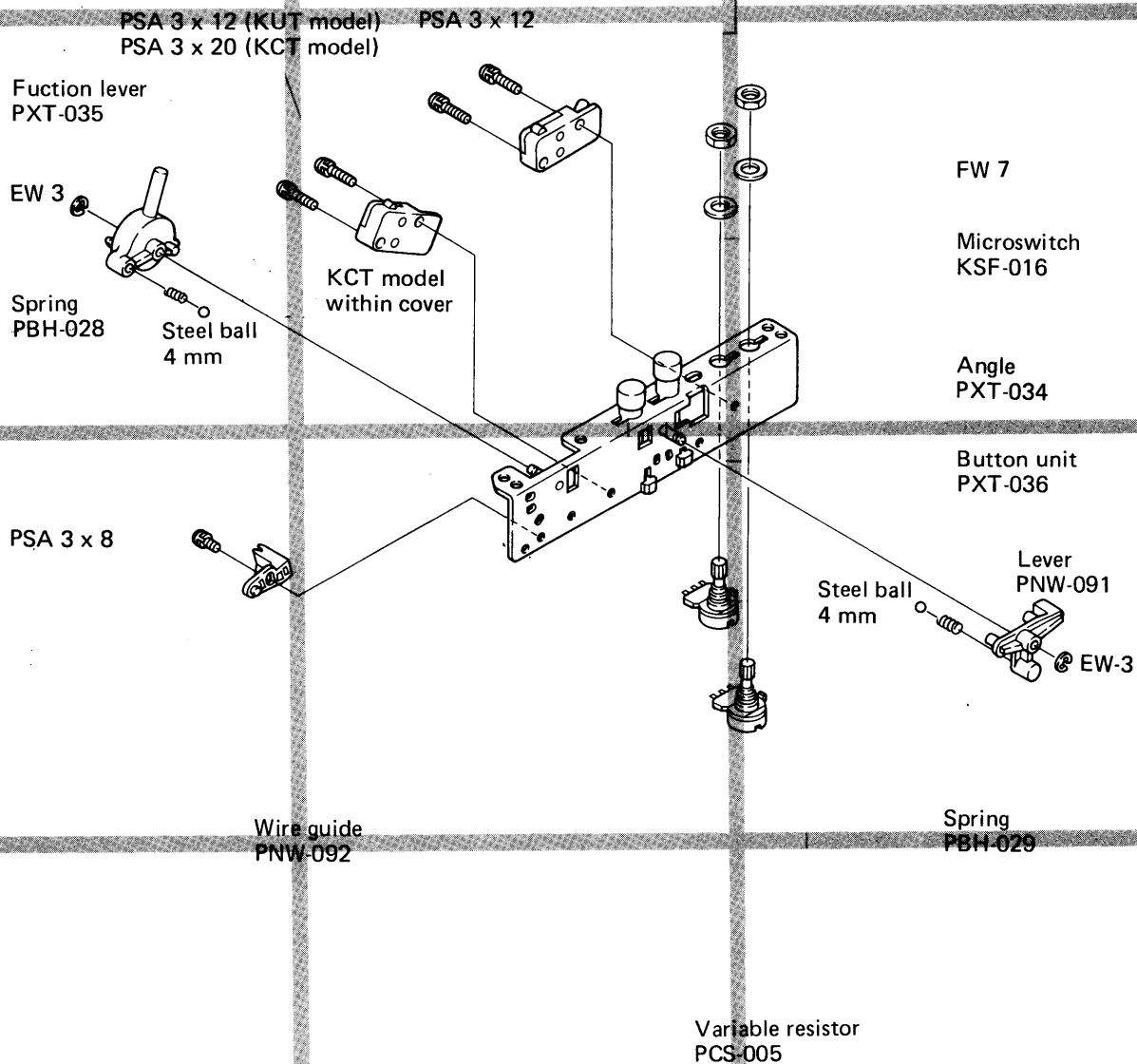


1

2

3

4.2 FUNCTION MECHANISM ASSEMBLY



4.3 ANTI SKATING ASSEMBLY (PXA-641)

4.4

A

B

C

D

1

2

3

1

2

3

EV lever
PXT-517

EV cam
PNW-544

EV spring
PBH-506

Wire
PXT-523

PN2

E-2

E-2

E-3

FW-4

Arm base
PNW-542

Washer
PNB-519

AS cam shaft
PNW-547

AS lever
PNW-546

AS spring
PBH-023

Bias lever
PNW-545

FW-2.5

E-2

FW-2.5

E-2

4

5

6

4.4 TONEARM ASSEMBLY (PPD-539)

A

B

C

D

Elevation arm assembly
PXA-598

Rubber
PNT-507

Elevation arm
PNW-541

Shaft
PLA-620

SF 4 x 5

SF 2.6 x 2

Screw
PLA-567

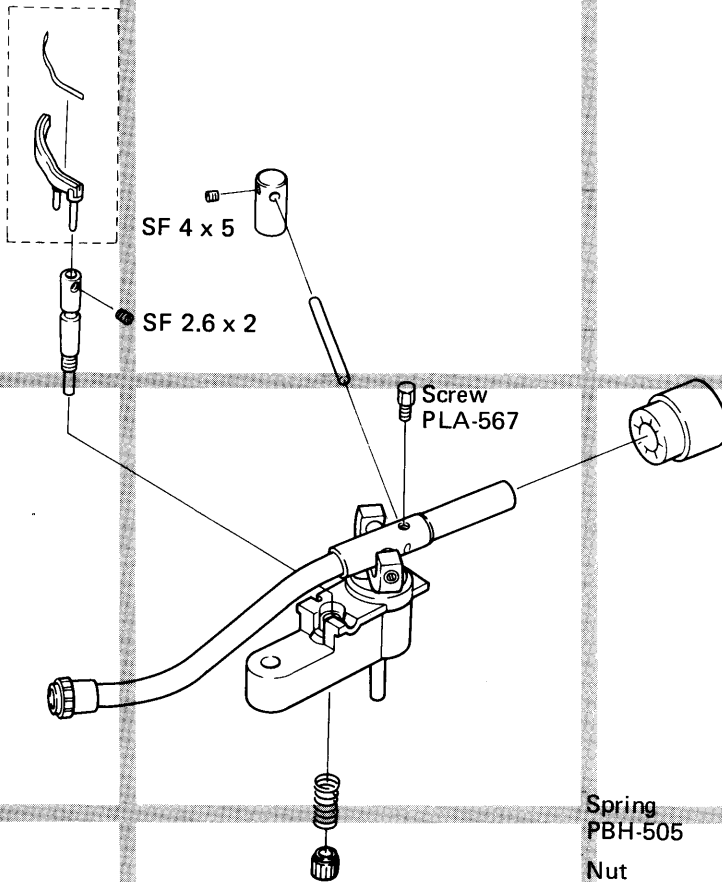
Lateral weight
KLA-438

Lateral bar
PLA-586

Counter weight
PXA-599

Spring
PBH-505

Nut
PBN-501



4

5

6

4.5 PACKING

Operating instructions
PRB-036

Rubber mat assembly
PEA-010 (KUT model)
PEA-013 (KCT model)

Upper board
PHC-017

Dust cover assembly
PXA-159

45 rpm Adaptor
KNK-055

Counter weight assembly
PXA-599

Screw driver
KEX-002

Overhang gauge
PEC-012

Headshell assembly
PXA-630

Sub weight
PLA-563

Cartridge mounting
screw
KBA-045

Side pad
PHA-023

Cartridge mounting screw
B11-657

Cartridge mounting washer
B23-642

Cartridge mounting nut
B71-653

Cartridge mounting screw
KBA-044

Packing stopper
KNK-403

Arm protector (L)
PHA-033

Side pad
PHA-023

RM 4 x 15

PM 4 x 20

Cover
PHN-002

Case
PHN-005

FFW 4

Clamp label
PRW-003

Vinyl cover
H56-603

Turntable pad
PHC-030

Arm protector (R)
PHA-032

Packing case
PHG-125 (KUT model)
PHG-126 (KCT model)

Turntable platter
PNR-034

5. NOMENCLATURE OF SCREWS, WASHERS AND NUTS

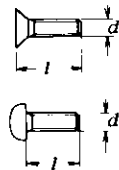
The following symbols stand for screws, washers and nuts as shown in exploded view.

Symbol	Description	Shape
RT	Brazier head tapping screw	
PT	Pan head tapping screw	
PTT	Special screw (A)	
PTBA	Special screw (B)	
POTBA	Special screw (C)	
OCT	Oval countersunk head tapping screw	
PM	Pan head machine screw	
CM	Countersunk head machine screw	
OCM	Oval countersunk head machine screw	
TM	Truss head machine screw	
BM	Binding head machine screw	
PSA	Pan head screw with spring lock washer	
PSB	Pan head screw with spring lock washer and flat washer	
PSF	Pan head screw with flat washer	

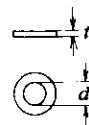
Symbol	Description	Shape
EW	E type washer	
FW	Flat washer	
SW	Spring lock washer	
N	Nut	
WN	Washer faced nut	
PN	Push nut	
FFW	Fiber flat washer	
SC	Slotted set screw (Cone point)	
SF	Slotted set screw (Flat point)	
HS	Hexagon socket headless set screw	
OCW	Oval countersunk head wood screw	
CW	Countersunk head wood screw	
RW	Round head wood screw	

EXAMPLE

PM • 3x8
 length in mm (l)
 diameter in mm (d)
 Symbol

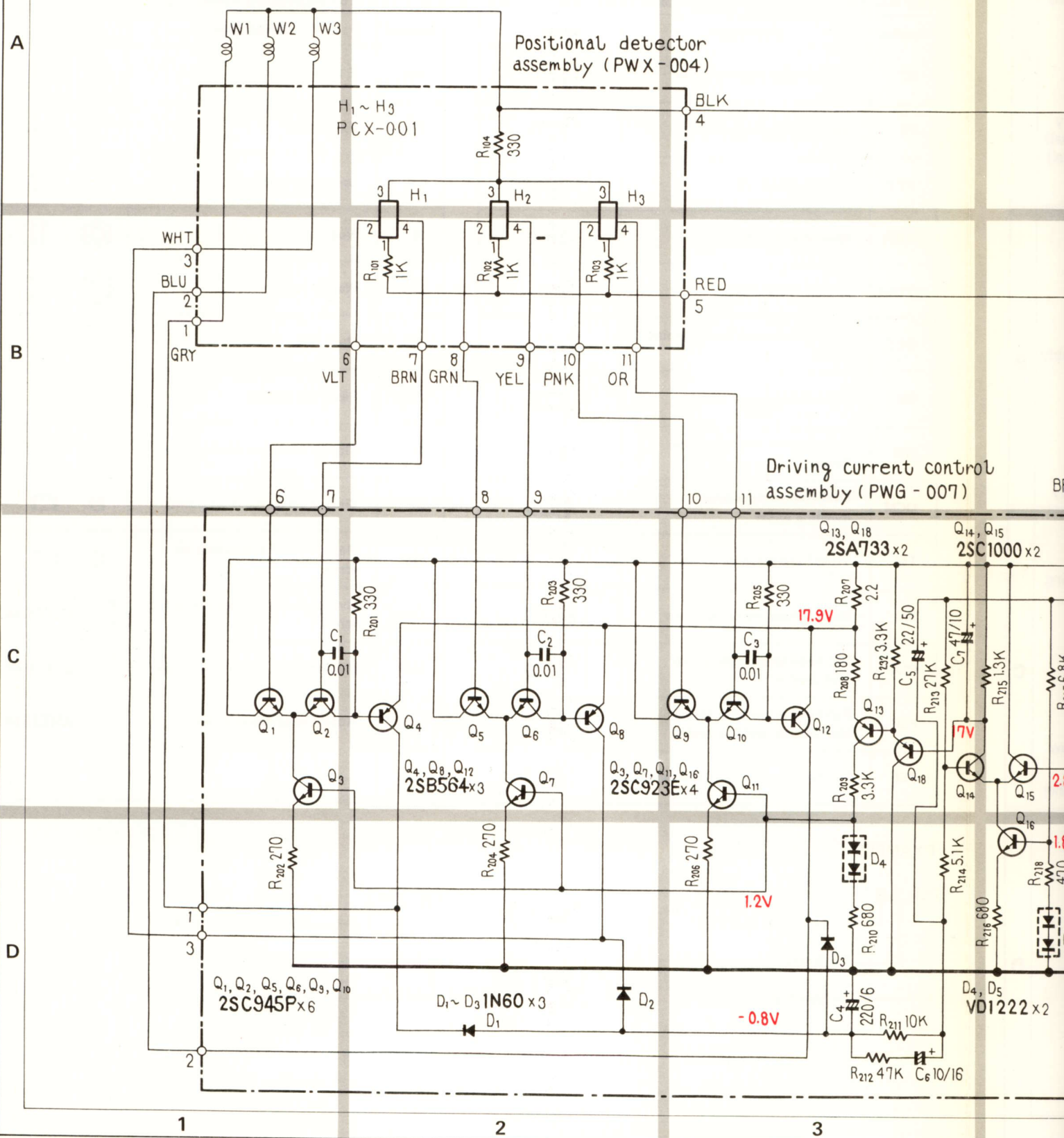


FW • 9φ x 1^t
 thickness in mm (t)
 diameter in mm (d)
 Symbol



6. SCHEMATIC DIAGRAM, P.C. BOARD PATTERNS AND PARTS LIST

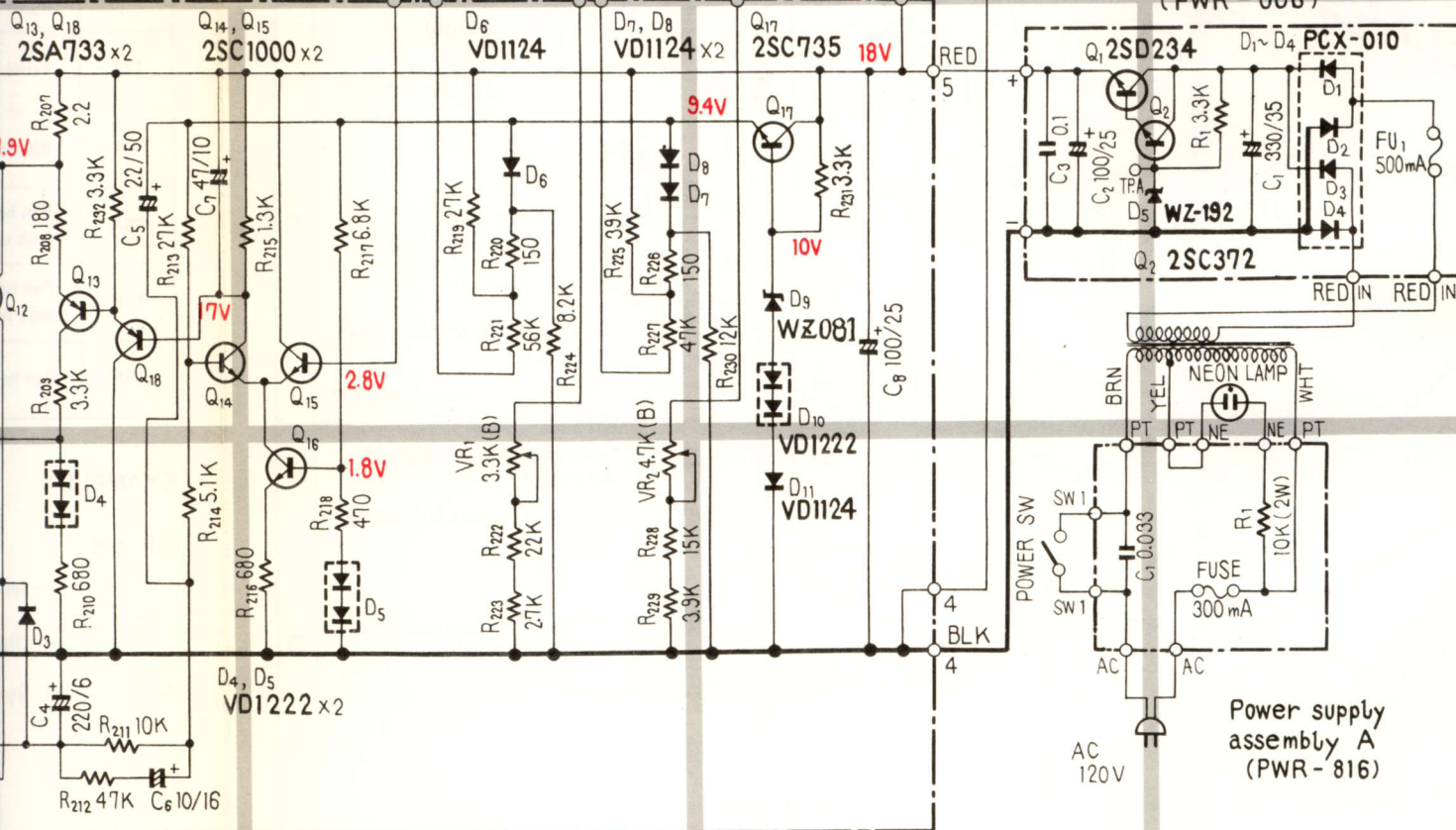
6.1 SCHEMATIC DIAGRAM



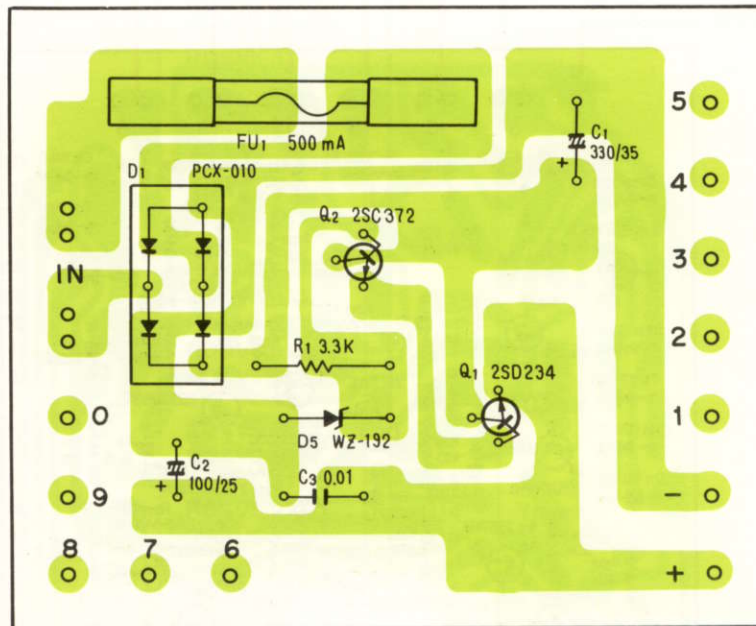
SCHEMATIC AND PARTS LIST

Current control
assembly (PWG - 007)

Power supply assembly B
(PWR - 006)



6.2 POWER SUPPLY ASSEMBLY B (PWR-006)

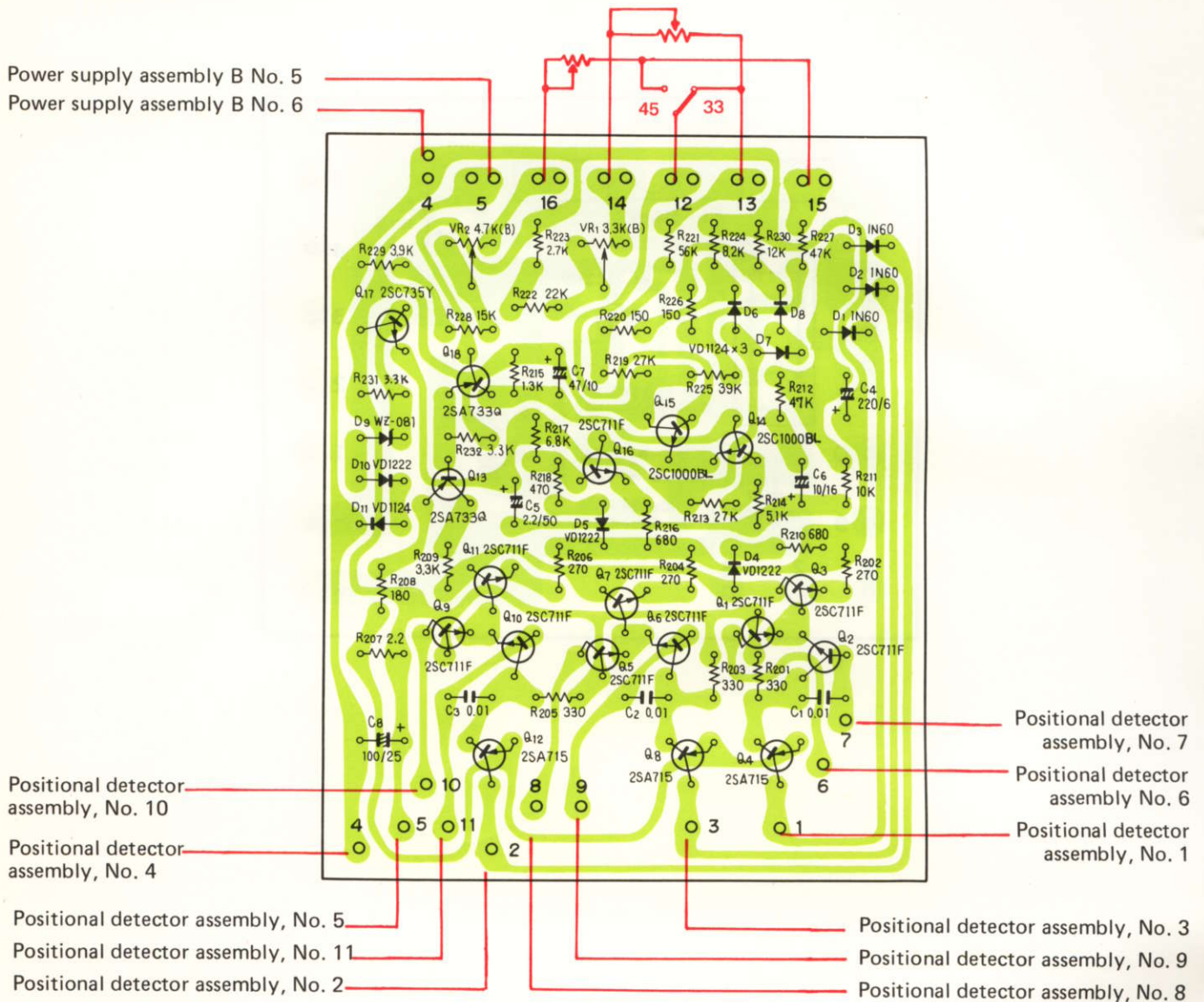


Parts List of Power Supply Assembly B (PWR-006)

Symbol	Description	Part No.
C1	Electrolytic 330 35V	CEA 331P 35
C2	Electrolytic 100 25V	CEA 101P 25
C3	Ceramic 0.01 50V	CKDYF 103Z 50
R1	Carbon film 3.3k	RD¼PS 332J
Q1	Transistor	2SD234
Q2	Transistor	2SC372
D1	Diode	PCX-010
D2	Zener diode	WZ-192
FU	Fuse 500mA	PEK-004
	Fuse clip	K91-006

6.3 DRIVING CURRENT CONTROL ASSEMBLY (PWG-007)

Power supply assembly B No. 5
Power supply assembly B No. 6



Parts List of Driving Current Control Assembly (PWG-007)

CAPACITORS

Symbol	Description	Part No.
C1	Ceramic 0.01 50V	CKDYF 103Z 50
C2	Ceramic 0.01 50V	CKDYF 103Z 50
C3	Ceramic 0.01 50V	CKDYF 103Z 50
C4	Electrolytic 220 6V	CEA 221P 6
C5	Electrolytic 2.2 50V	CEA 2R2P 50
C6	Electrolytic 10 16V	CEA 100P 16
C7	Electrolytic 47 10V	CEA 470P 10
C8	Electrolytic 100 25V	CEA 101P 25

RESISTORS

Symbol	Description	Part No.
R201	Carbon film 330	RD½VS 331J
R202	Carbon film 270	RD½VS 271J
R203	Carbon film 330	RD½VS 331J
R204	Carbon film 270	RD½VS 271J
R205	Carbon film 330	RD½VS 331J
R206	Carbon film 270	RD½VS 271J
R207	Carbon film 2.2	RD½VS 2R2J
R208	Carbon film 180	RD½VS 181J
R209	Carbon film 3.3k	RD½VS 332J
R210	Carbon film 680	RD½VS 681J
R211	Carbon film 10k	RD½VS 103J
R212	Carbon film 47k	RD½VS 473J
R213	Carbon film 27k	RD½VS 273J
R214	Carbon film 5.1k	RD½VS 512J
R215	Carbon film 1.3k	RD½VS 132J
R216	Carbon film 680	RD½VS 681J
R217	Carbon film 6.8k	RD½VS 682J
R218	Carbon film 470	RD½VS 471J
R219	Carbon film 27k	RD½VS 273J
R220	Carbon film 150	RD½VS 151J
R221	Carbon film 56k	RD½VS 563J
R222	Carbon film 22k	RD½VS 223J
R223	Carbon film 2.7k	RD½VS 272J
R224	Carbon film 8.2k	RD½VS 822J
R225	Carbon film 39k	RD½VS 393J
R226	Carbon film 150	RD½VS 151J
R227	Carbon film 47k	RD½VS 473J
R228	Carbon film 15k	RD½VS 153J
R229	Carbon film 3.9k	RD½VS 392J
R230	Carbon film 12k	RD½VS 123J
R231	Carbon film 3.3k	RD½VS 332J
R232	Carbon film 3.3k	RD½VS 332J
VR1	Semi-fixed 3.3k-B	PCP-001
VR2	Semi-fixed 4.7k-B	PCP-002

Symbol	Description	Part No.
Q6	Transistor	2SC711-F (2SC458-C, 2SC945-P1)
Q7	Transistor	2SC711-F (2SC923-E)
Q8	Transistor	2SA715-C (2SA509-Y, 2SB564-L)
Q9	Transistor	2SC711-F (2SC458-C, 2SC945-P1)
Q10	Transistor	2SC711-F (2SC458-C, 2SC945-P1)
Q11	Transistor	2SC711-F (2SC923-E)
Q12	Transistor	2SA715-C (2SA509-Y, 2SB564-L)
Q13	Transistor	2SA733-Q
Q14	Transistor	2SC1000-BL
Q15	Transistor	2SC1000-BL
Q16	Transistor	2SC711-F (2SC923-E)
Q17	Transistor	2SC735-Y
Q18	Transistor	2SA733-Q
D1	Diode	IN60
D2	Diode	IN60
D3	Diode	IN60
D4	Varistor	VD1222
D5	Varistor	VD1222
D6	Varistor	VD1124
D7	Varistor	VD1124
D8	Varistor	VD1124
D9	Zener diode	WZ081
D10	Varistor	VD1222
D11	Varistor	VD1124

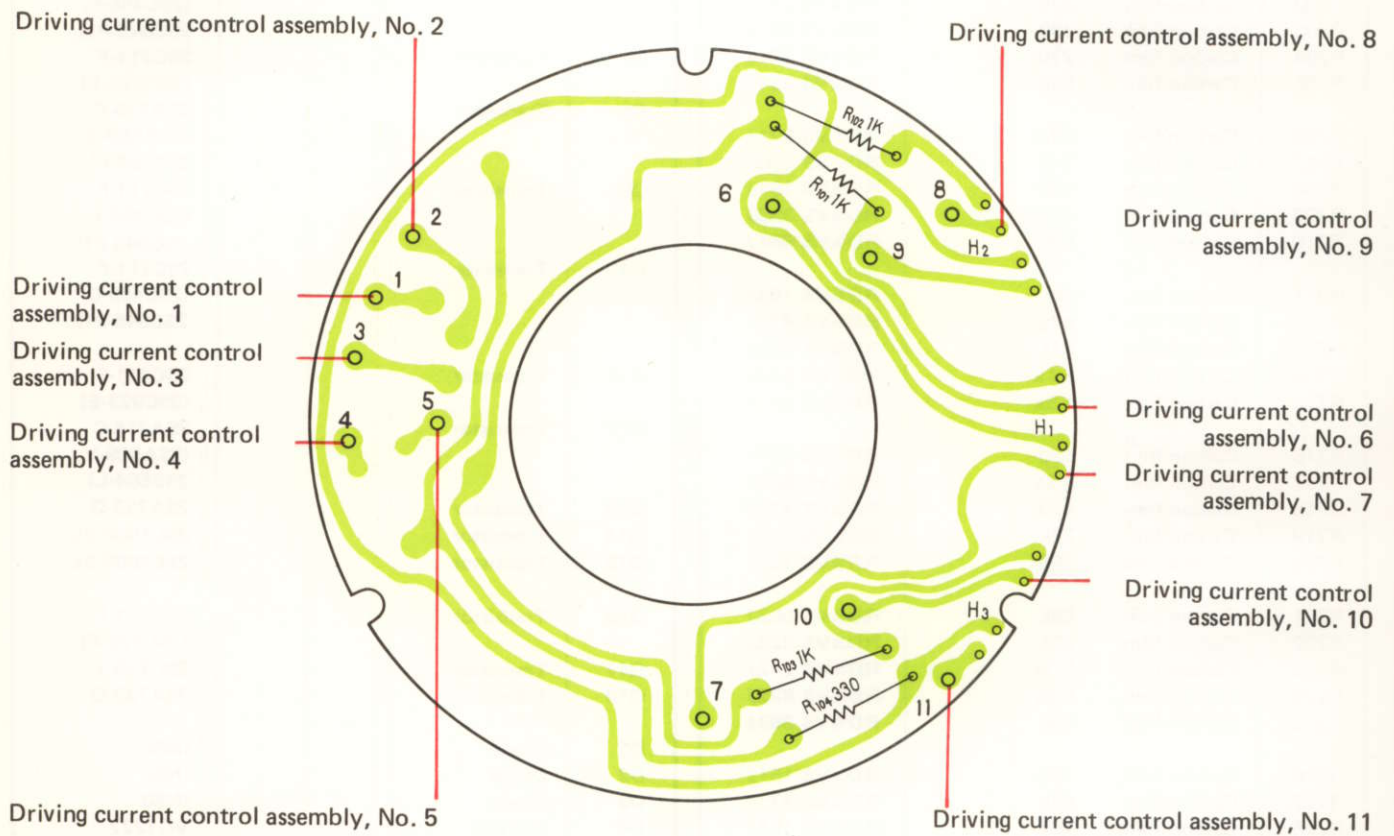
SEMICONDUCTORS

Symbol	Description	Part No.
Q1	Transistor	2SC711-F (2SC458-C, 2SC945-P1)
Q2	Transistor	2SC711-F (2SC458-C, 2SC945-P1)
Q3	Transistor	2SC711-F (2SC923-E)
Q4	Transistor	2SA715-C (2SA509-Y, 2SB564-L)
Q5	Transistor	2SC711-F (2SC458-C, 2SC945-P1)

NOTE:

1. Q₁, Q₂, Q₅, Q₆, Q₉, and Q₁₀ should, on the same circuit board, use the same kind and rank of product.
2. Q₃, Q₇, Q₁₁, and Q₁₆ should, on the same circuit board, use the same kind and rank of product.
3. D₁, D₂, and D₃ should be 'paired' (PYY-006-0).

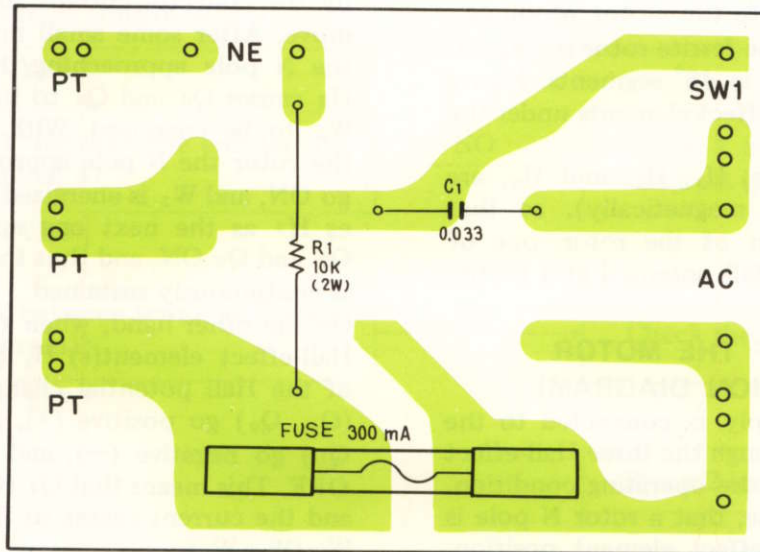
6.4 POSITIONAL DETECTOR ASSEMBLY (PWX-004)



Parts List of Positional Detector Assembly (PWX-004)

Symbol	Description	Part No.
H1	Hall-effect element	PCX-001
H2	Hall-effect element	PCX-001
H3	Hall-effect element	PCX-001
R101	Carbon film resistor 1k	RD¼PS 102J
R102	Carbon film resistor 1k	RD¼PS 102J
R103	Carbon film resistor 1k	RD¼PS 102J
R104	Carbon film resistor 330	RD¼PS 331J

6.5 POWER SUPPLY ASSEMBLY A (PWR-816)



Parts List of Power Supply Assembly A (PWR-816)

Symbol	Description	Part No.
C1	Myler 0.033	KCE-009
R1	Metal oxide 10k 2W	RS2P 103J
FU	Fuse 300mA	E21-030
	Fuse clip	K91-006

7. PXM-020 OUTLINE OF OPERATION

7.1 STRUCTURE

The PXM-020 is an external-rotor type DC motor in which Hall-effect elements are used to detect the rotor position, with electronic ON-OFF switching of the current to the motor windings.

As shown in Figure 1a, the ferrite rotor is magnetized alternately N and S in 45° segments. Figure 1b shows the three Hall-effect elements under the rotor.

The Hall-effect elements, H₁, H₂, and H₃, are fitted 30° apart (120° magnetically), so that whatever the orientation of the rotor, one of them will experience a Hall potential at a particular time.

7.2 OPERATION OF THE MOTOR (SEE CONNECTION DIAGRAM)

When the electrical supply is connected to the motor, current flows through the three Hall-effect elements, which go into the operating condition. If we assume, at this time, that a rotor N pole is located at the H₁ Hall-effect element position, then the Hall potential developed in H₁ sends the base of Q₁ negative (-) and that of Q₂ positive

(+). Due to this Hall-effect potential Q₂ turns ON, voltage at the Q₂ collector drops, the potential on the base of Q₄ drops, and Q₄ turns ON. With Q₄ ON, the motor drive coil W₁ is energized by the collector current, and the rotor begins to move. After some small movement of the rotor, the N pole approaching the Hall-effect element H₂ causes Q₆ and Q₈ to turn ON, and drive coil W₃ to be energized. With further movement of the rotor the N pole approaches H₃, Q₁₀ and Q₁₂ go ON, and W₂ is energized. The first N pole passes H₃ as the next one approaches H₁, putting Q₂ and Q₄ ON, and thus the rotation of the rotor is continuously sustained.

On the other hand, when a S pole approaches the Hall-effect element(s) H₁ (H₂, H₃), the polarity of the Hall potential changes, the base(s) of Q₁ (Q₅, Q₉) go positive (+), the base(s) of Q₂ (Q₆, Q₁₀) go negative (-), and so Q₂ (Q₆, Q₁₀) turn OFF. This means that Q₄ (Q₈, Q₁₂) also turn OFF and the current ceases to flow in the drive coil(s) W₁ (W₂, W₃).

7.3 SPEED CONTROL

When no current is flowing through a drive coil (that is when a S pole is approaching the Hall effect element), a voltage proportional to the speed of rotation of the rotor is induced in the drive coil (the same effect as with a generator). This voltage is rectified by the diode(s) D₁ (D₂, D₃), and the negative potential derived is applied to the base of Q₁₄. Q₁₄ and Q₁₅ form a differential amplifier circuit, and the standard voltage for 33-1/3 or 45 rpm rotation is applied to the base of Q₁₅. It follows that so long as the rotor is

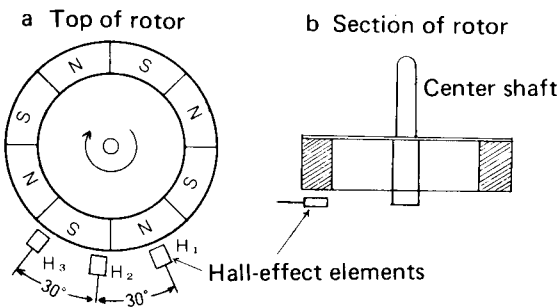


Fig. 1: Relative Locations of Rotor and Hall-Effect Elements

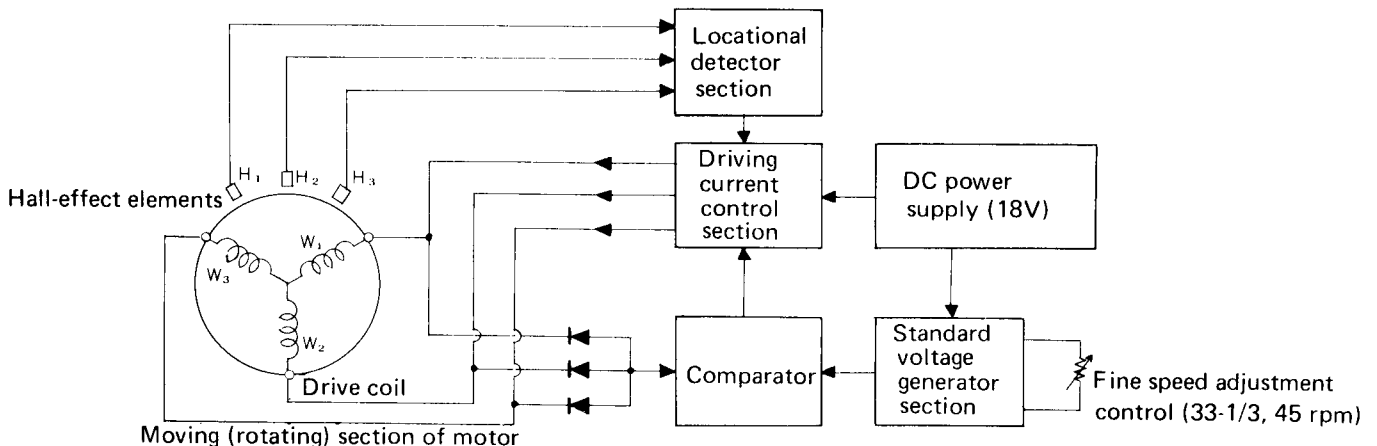


Fig. 2: Block Diagram of the PXM-020

turning at the correct speed (revs), this circuit is balanced. If for any reason the speed of rotation of the rotor exceeds the proper value, the voltage generated in each drive coil will increase.

This causes the potential on the base of Q_{14} to drop, and the potential on the bases of Q_{18} and Q_{13} rises. As the potential on the base of Q_{13} rises, the collector current drops and this reduces the potential on the base(s) of Q_3 (Q_7, Q_{11}). This results in a reduction in the current flowing through Q_2 (Q_6, Q_{10}), and a rise in the potential on the base(s) of Q_4 (Q_8, Q_{12}), so that the collector current(s) of Q_4 (Q_8, Q_{12}) drop. If the collector current drops, the field strength of the drive coil also drops, the rotor speed drops, and it returns to the correct speed of rotation.

On the other hand, if the rate of rotation of the rotor drops below its proper value, the process is precisely the reverse of the above: the voltage across each drive coil drops, and the base potential of Q_{14} rises. This causes the collector current of Q_{13} to increase, and the current(s) through Q_1 (Q_7, Q_{11}) and Q_2 (Q_6, Q_{10}) also rise. As the collector current(s) of Q_2 (Q_6, Q_{10}) increase, the base potential(s) on Q_4 (Q_8, Q_{12}) drop, the collector current(s) rise, the magnetic field strength of the drive coil(s) increases, and the rotor speed increases to the correct value.

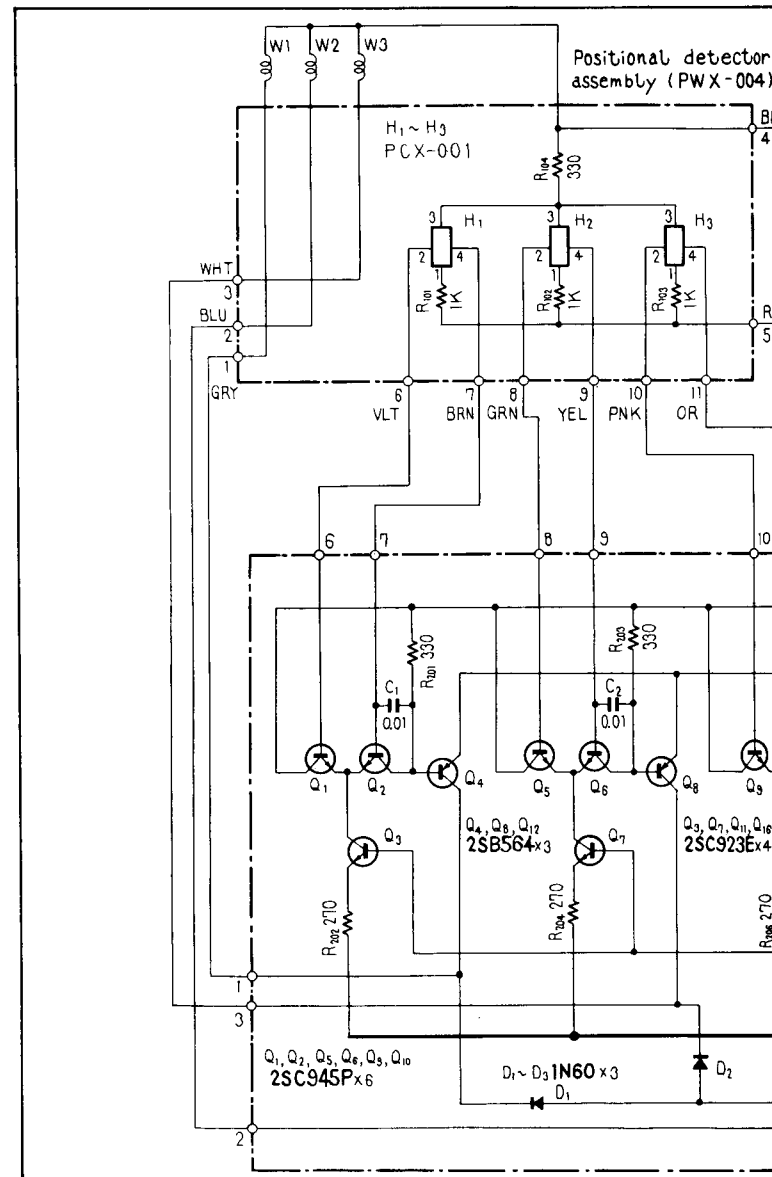
7.4 TEMPERATURE COMPENSATION

The section which corrects the speed of rotation of the motor as the ambient temperature changes comprises varistors ($D_4, D_5, D_6, D_7, D_8, D_{10}, D_{11}$) to achieve temperature compensation.

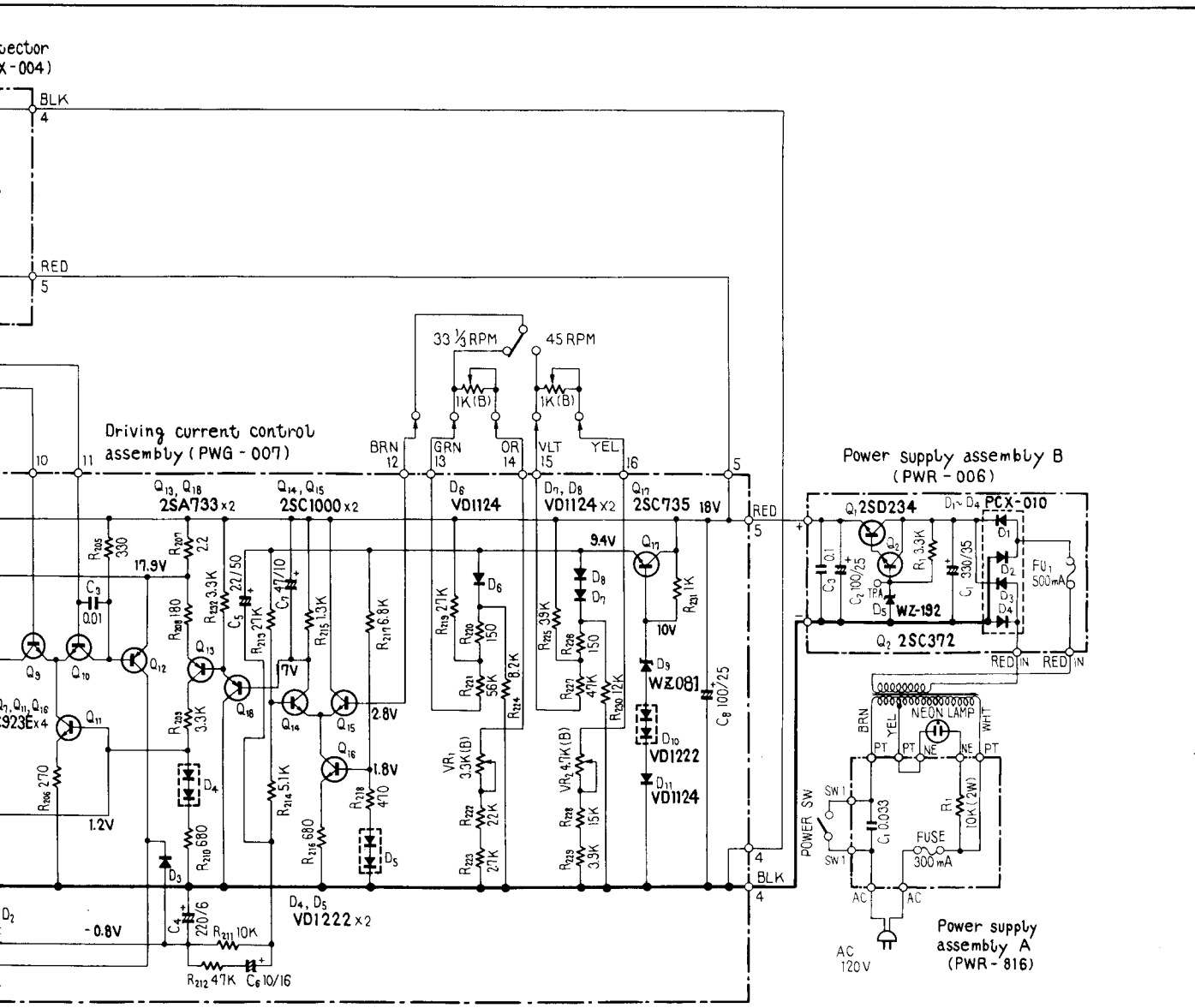
- D_4 compensates $Q_3, Q_7,$ and Q_{11} . If D_4 were not provided, an increase in temperature would be accompanied by a drop in the V_{B-E} of $Q_3, Q_7,$ and Q_{11} , and an increase in the collector currents. This would result in a drop in the base potentials of $Q_4, Q_8,$ and Q_{12} , and an increase in their collector currents with, in turn a higher current through the drive coils and a corresponding increase in the speed of revolution. The temperature coefficient of D_4 (VD1222) is $-3.6mV/^\circ C$, which ensures that the bases of $Q_3, Q_7,$ and Q_{11} do not drop in potential, so that the motor speed will not increase.
- D_5 compensates Q_{16} . If D_5 were not provided, an increase in temperature would cause an increase in Q_{16} collector current, and a corresponding increase in $Q_{14}, Q_{15}, Q_{18}, Q_{13}$, with a rise in the base potential of $Q_3, Q_7,$ and Q_{11} , and an increase in the speed of the motor.

- D_6, D_7 and D_8 provide the temperature compensation for rotor magnetism. Magnetic field strength drops at $-0.18\%/^\circ C$ with an increase in temperature. For this reason, if D_6, D_7 and D_8 are not provided, even at the proper rate of rotation, the voltage generated in the drive coils would drop, because the comparator would indicate that the speed has dropped, and so the motor speed would. D_6 (33-1/3) D_7 and D_8 (45 rpm) raise the potential at the base of Q_{15} as the temperature rises, preserving the balance of Q_{14} and Q_{15} , and maintaining proper speed.

CONNECTION DIAGRAM

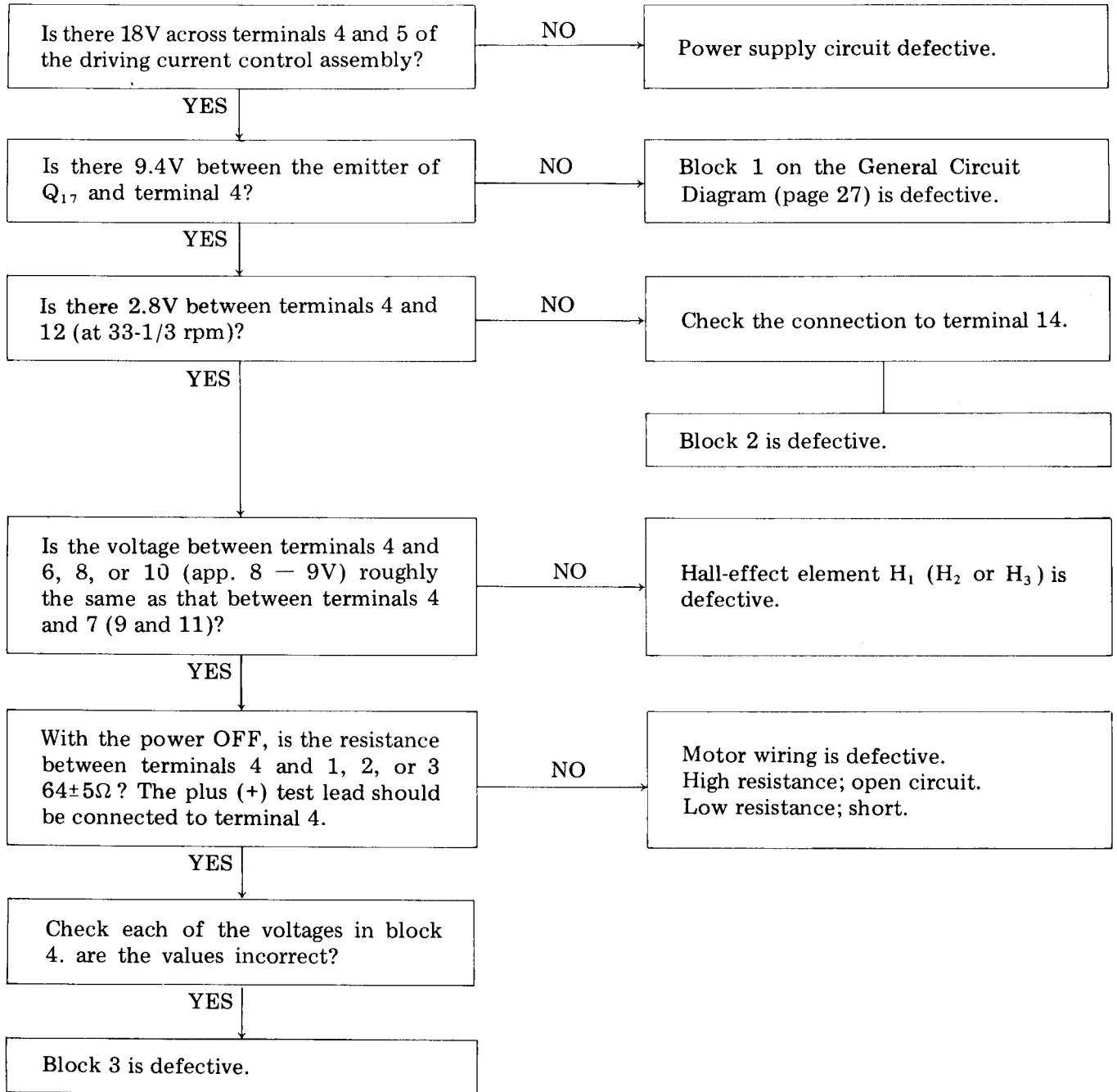


- D₁₀ and D₁₁ compensate D₉ and Q₁₇. D₆ (WZ081) is a zener diode. The zener temperature coefficient is 0.05%/°C. If D₁₀ and D₁₁ are not provided, as the temperature rises the zener potential will rise, so that the V_{B-E} of Q₁₇ drops, raising the emitter potential (the standard voltage) of Q₁₇. If the standard voltage rises, the speed of the motor also rises. This is the reason for the compensation by D₁₀ and D₁₁ for the rise in D₉ zener potential and the drop in V_{B-E} potential of Q₁₇. The temperature coefficient of D₁₁ (VD1124) is -1.9mV/°C.

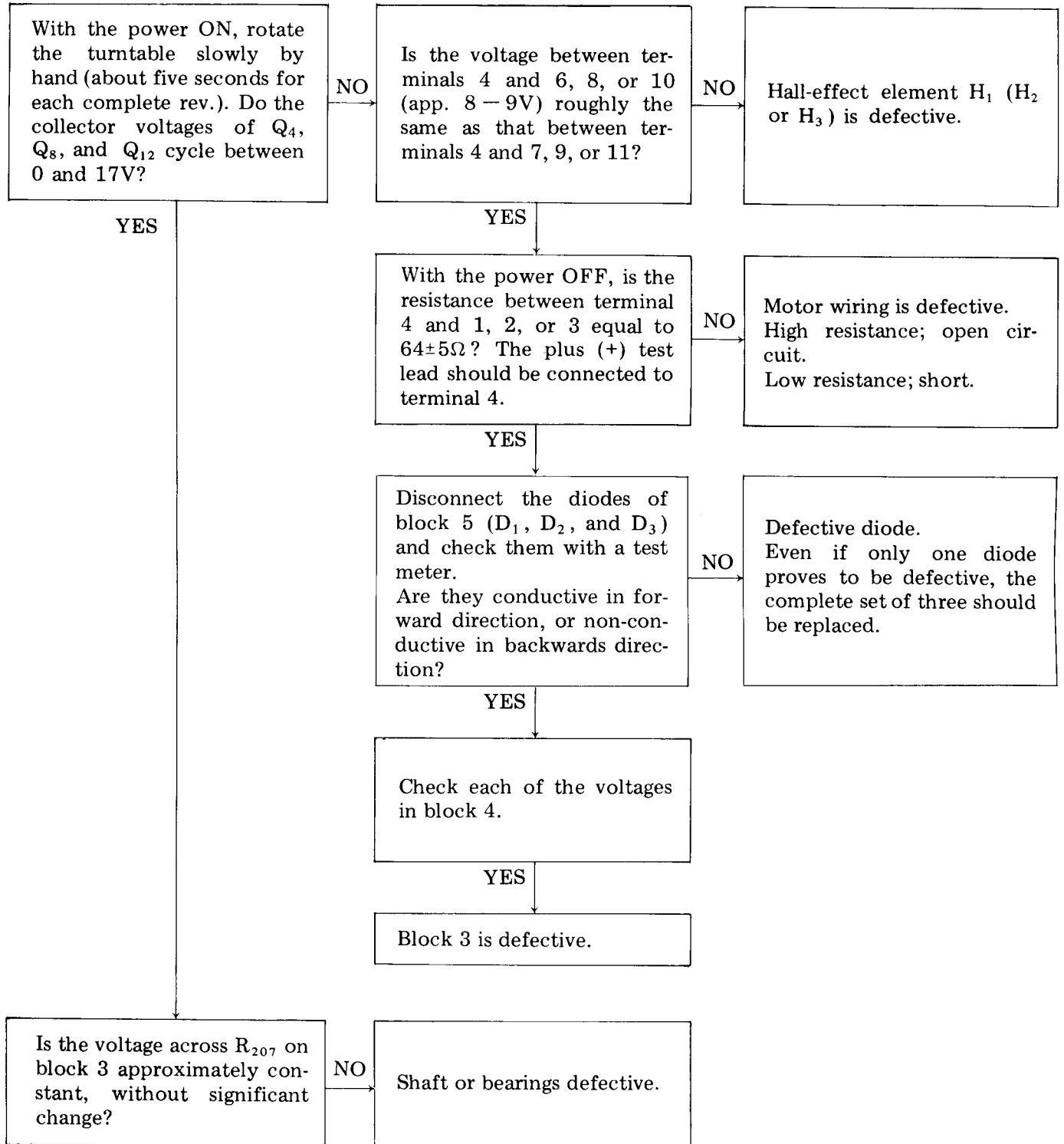


8. TROUBLE SHOOTING CHART

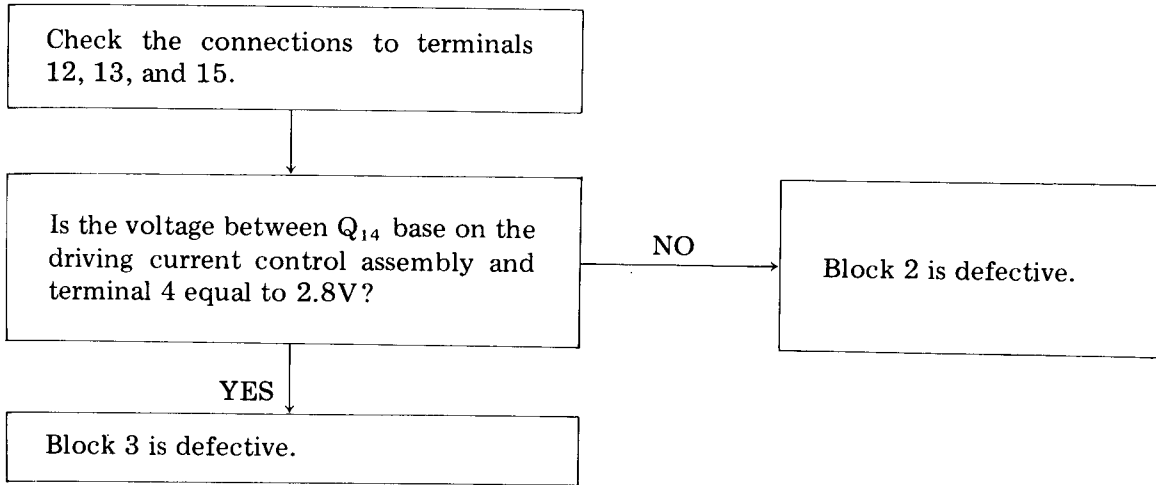
8.1 MOTOR DOES NOT TURN



8.2 WIDE VARIATIONS IN MOTOR SPEED



8.3 MOTOR RACES



9. ADJUSTMENT

9.1 MOTOR SPEED

When it proves impossible to adjust the fine speed controls to give the correct speeds, the motor may be adjusted as follows.

1. Set the fine speed adjustment controls on the stereo turntable to their mechanical centers (approx. in the middle).
2. The separate volume-type controls on the P.C. Board PWG-007 are accessible for both 33 and 45 rpm adjustments. Use a small screwdriver to turn these preset controls to give synchronization as indicated by the stroboscopic speed indicator on the record player.
3. When even turning the controls fails to give the required adjustment, refer to Connection diagram on page 6, and change R_{223} (33-1/3 rpm) and R_{229} (45 rpm) within the range $1.5k\Omega$ to $5.6k\Omega$ before repeating the adjustment.

9.2 ARM ELEVATION

Tonearm elevation is operated by a cable release. If the release stretches due to aging or other reasons, loosen EV guide screw (Fig. 1) and adjust cable release anchor condition. Perform this adjustment with tonearm elevation in DOWN setting. As adjustment standard, EV lever unit (Fig. 2) should tightly contact straight line portion of EV cam. Be sure to confirm operation after adjusting.

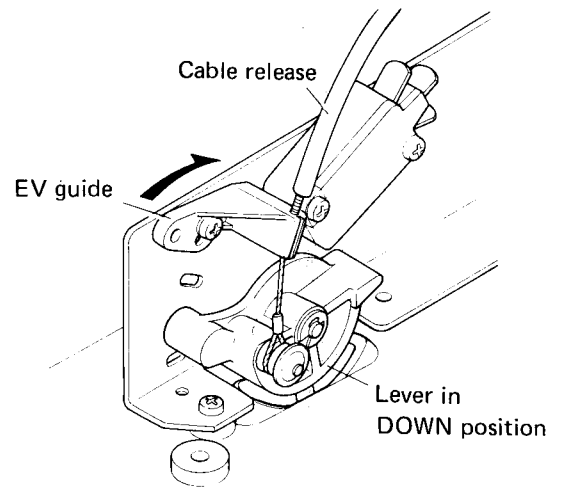


Fig. 1

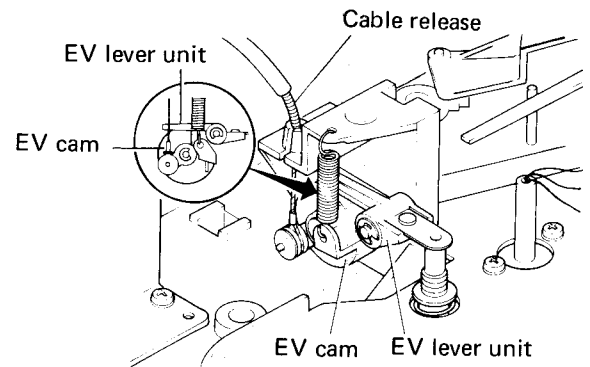


Fig. 2

DIRECT DRIVE
STEREO TURNTABLE
PL-510A
HGT

Additional

Service Manual

This leaflet provides the description of the parts applied only HGT model.

For detailed instructions on adjustments, description, etc., please refer to the Service Manual of PL-510A/KCT, KUT.

10. SPECIFICATIONS (HGT model)

MOTOR AND TURNTABLE

Motor:	DC servo motor
Turntable Drive:	Direct drive
Speed:	Two speeds: 33-1/3 rpm, 45 rpm
Wow and flutter:	0.03% (WRMS) or less
S/N:	68dB (DIN B) or more (with Pioneer cartridge model PC-135)
Turntable platter:	321mm diam. aluminum alloy
Moment of inertia:	240kg-cm ² (including rubber mat)

TO NEARM

Tonearm type:	Static-balance, S-shaped, pipe arm
Effective arm length:	221mm
Tracking error:	+3° ~ 1°
Overhang:	15.5mm
Usable cartridge weight:	4g (MIN) ~ 10g (MAX)
(For cartridges weights over 8.5g, attach the sub weight)	

SUBFUNCTIONS

Anti-skating force control
Plug-in type headshell
Oil-damped arm elevator
Hinges (Free-adjustable)
Lateral balance weight
Fine speed adjusters (33-1/3 rpm, 45 rpm: using the stroboscope for turntable speed adjustment)

ACCESSORIES

Headshell	1
Overhang gauge	1
45 rpm adaptor	1
Screwdriver	1
Sub weight	1
Cartridge mounting screws	6
Cartridge mounting nuts	2
Cartridge mounting washers	2
Operating instructions	1

MISCELLANEOUS

Power requirements:	AC 220V, 240V, 50Hz
Power consumption:	7W
Dimensions:	440(W) x 362(D) x 159(H)mm 17-5/16(W) x 14-1/4(D) x 6-1/4(H)in.
Weight:	8kg, 17 lb 10 oz

For Use in United Kingdom only.

Please note:

Models employ 3-conductor mains leads. Please read the following instructions carefully before connecting.

WARNING: THIS APPARATUS MUST BE EARTHED.

CAUTION 240V: MAINS SUPPLY VOLTAGE IS FACTORY ADJUSTED AT 240 VOLTS.

IMPORTANT

The wires in this mains lead are coloured in accordance with following code:

Green-and-yellow:	Earth
Blue:	Neutral
Brown:	Live

As the colours of the wires in the mains lead of this apparatus may not correspond with the coloured markings identifying the terminals in your plug proceed as follows.

The wire which is coloured green-and-yellow must be connected to the terminal in the plug which is marked by the letter E or by the safety earth symbol \perp or coloured green or green-and-yellow.

The wire which is coloured blue must be connected to the terminal which is marked with the letter N or coloured blue or black.

The wire which is coloured brown must be connected to the terminal which is marked with the letter L or coloured brown or red.

NOTE:

Specifications and design subject to possible modification without notice, due to improvements.

11. EXPLODED VIEW (HGT)

NOTE:
Parts indicated in green cannot be supplied.

A

B

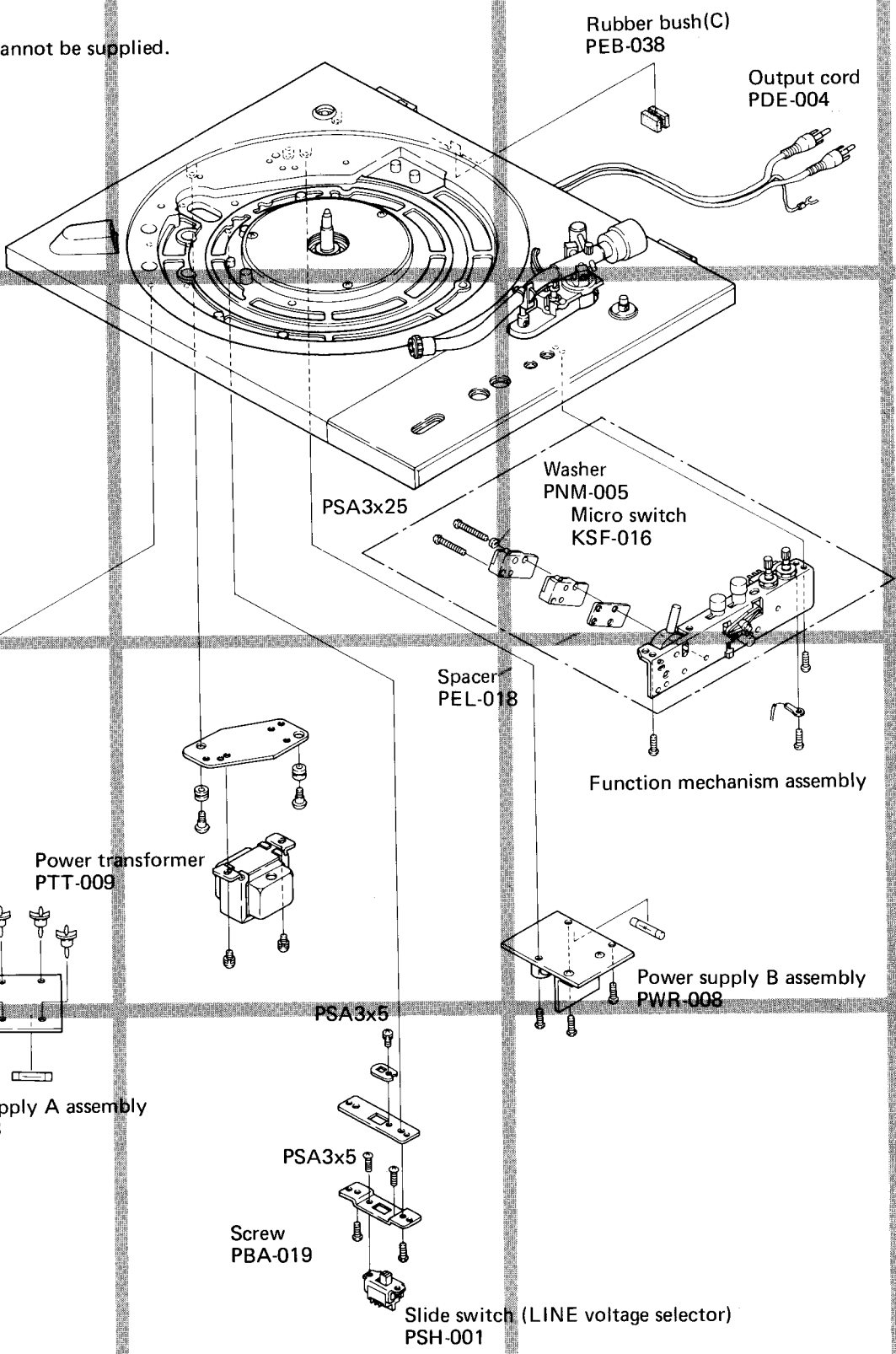
C

D

1

2

3



Rubber bush(C)
PEB-038

Output cord
PDE-004

PSA3x25

Washer
PNM-005
Micro switch
KSF-016

Spacer
PEL-018

Function mechanism assembly

Power transformer
PTT-009

Power supply B assembly
PWR-008

Power supply A assembly
PWR-818

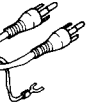
PSA3x5

PSA3x5

Screw
PBA-019

Slide switch (LINE voltage selector)
PSH-001

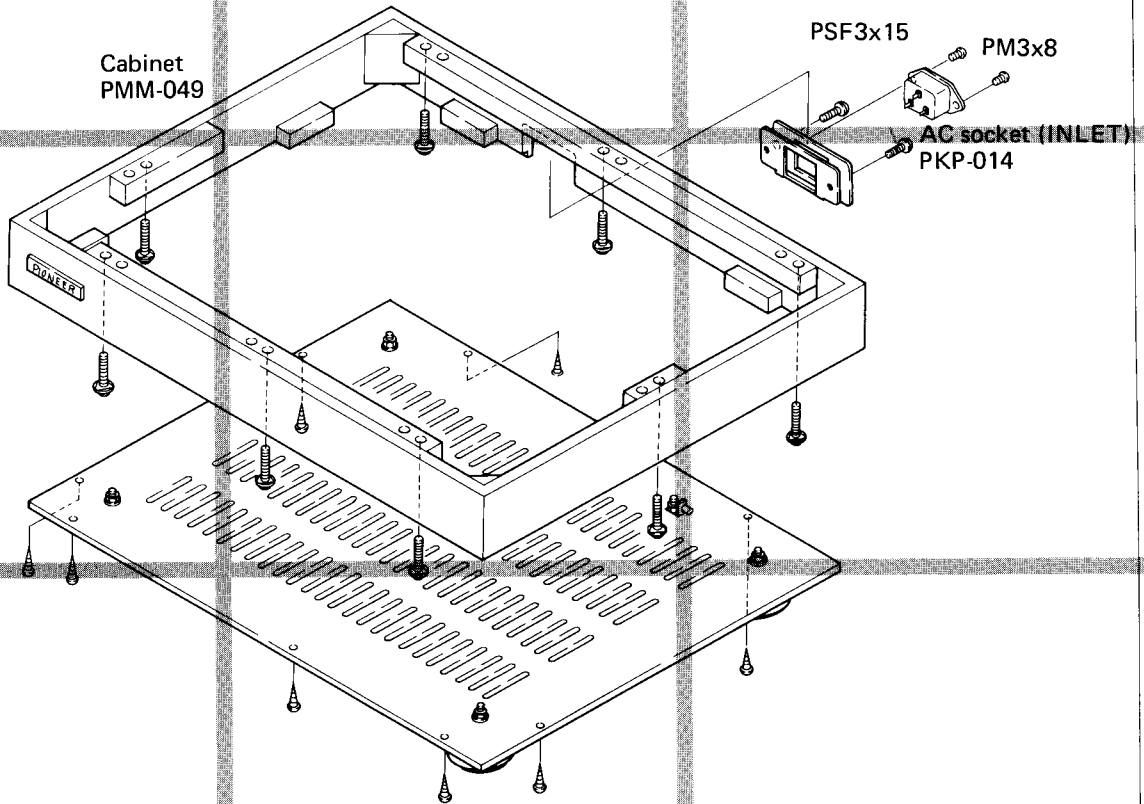
Output cord
E-004



The parts indicated the designation and parts number are newly-employed as HGT model.
The parts without description are the same as the parts in the KCT model.

assembly

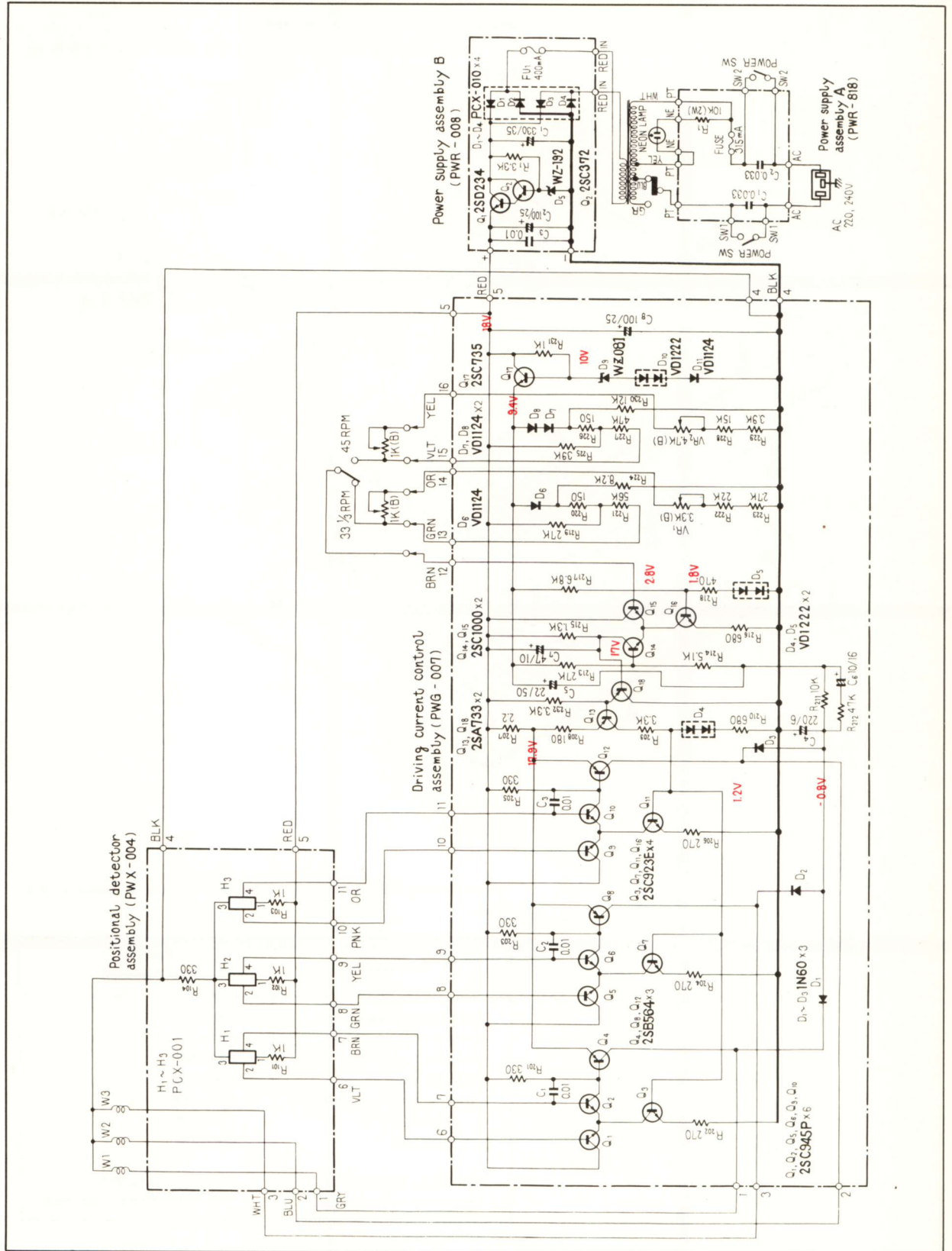
assembly



The following parts are changed the parts number as shown in the table.

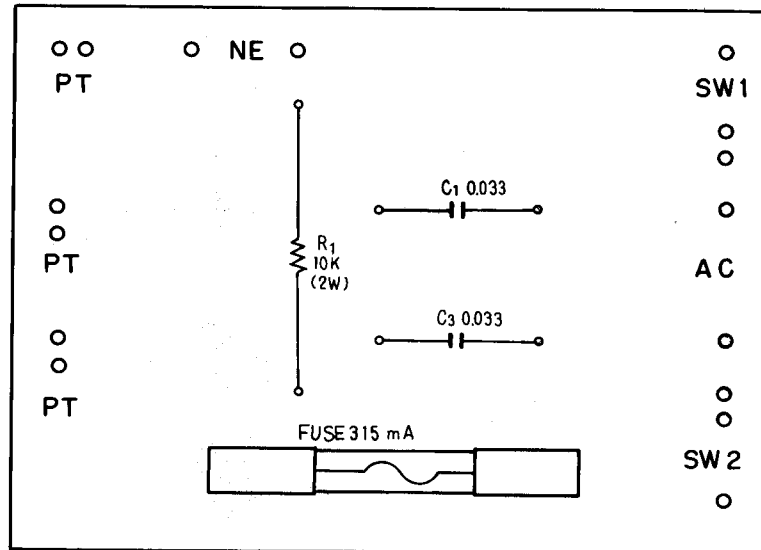
Part Name	Part No. (HGT model)
Anti skating assembly	PXA-641
Rubber mat assembly	PEA-013
Headshell assembly	PXA-630
Packing case	PHG-128
Power supply assemblyB	PWR-008
Fuse 0.4A	PEK-005
Fuse clip	KKR-001
Operating instructions	PRB-039 (English)
Operating instructions	PRD-016 (French/German)

12. SCHEMATIC DIAGRAM (HGT model)



13. P. C BOARD PATTERN AND PARTS LIST

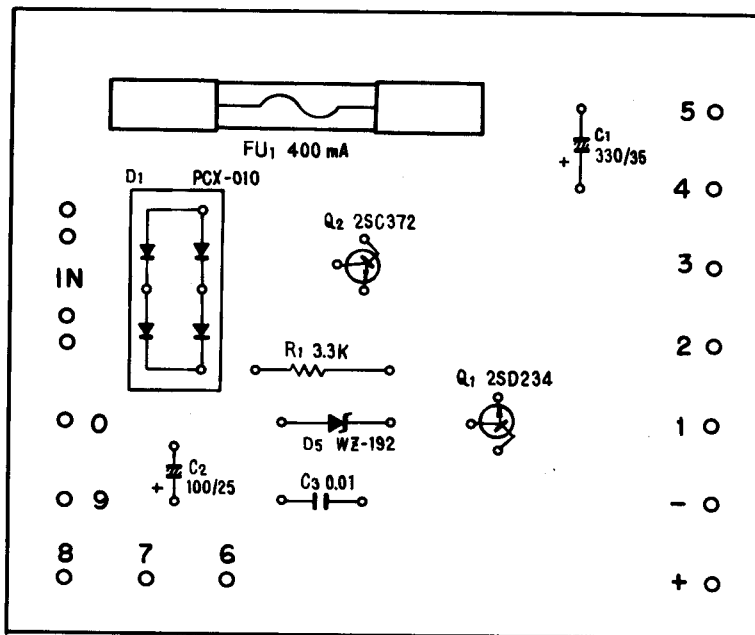
13.1 POWER SUPPLY ASSEMBLY A (PWR-818)



Parts List of Power Supply Assembly A (PWR-818)

Symbol	Description	Part No.
C1	Myler 0.033 250V	PCL-013
C2	Myler 0.033 250V	PCL-013
R1	Metal oxide 10k 2W	RS2P 103J
FU	Fuse 315mA	KEK-008
	Fuse clip	KKR-001

13.2 POWER SUPPLY ASSEMBLY B (PWR-008)



Parts List of Power Supply Assembly B (PWR-008)

Symbol	Description	Part No.
C1	Electrolytic 330 35V	CEA 331P 35
C2	Electrolytic 100 25V	CEA 101P 25
C3	Ceramic 0.01 50V	CKDYF 103Z 50
R1	Carbon film 3.3k	RD½PS 332J
Q1	Transistor	2SD234
Q2	Transistor	2SC372
D1	Diode	PCX-010
D2	Zener diode	WZ-192
FU	Fuse 400mA	PEK-005
	Fuse clip	KKR-001

PIONEER ELECTRONIC CORPORATION

4-1, Meguro 1-Chome, Meguro-ku, Tokyo 153, Japan

U.S. PIONEER ELECTRONICS CORPORATION

75 Oxford Drive, Moonachie, New Jersey 07074, U.S.A.

PIONEER ELECTRONIC (EUROPE) N.V.

Luithagen-Haven 9, 2030 Antwerp, Belgium

PIONEER ELECTRONICS AUSTRALIA PTY. LTD.

178-184 Boundary Road, Braeside, Victoria 3195, Australia

© MAY 1976

Printed in Japan