

 **PIONEER**

Service Manual



STEREO TURNTABLE

PL-512

KCT, KUT

MODEL PL-512 COMES IN TWO VERSIONS DISTINGUISHED AS FOLLOWS:

Type	Voltage	Remarks
KCT	120V only	Canada model (without cartridge)
KUT	120V only	U.S.A model (without cartridge)

PIONEER ELECTRONIC CORPORATION 4-1, Meguro 1-Chome, Meguro-ku, Tokyo 153, Japan
U.S. PIONEER ELECTRONICS CORPORATION 85 Oxford Drive, Moonachie, New Jersey 07074, U.S.A.
PIONEER ELECTRONIC (EUROPE) N.V. Luthagen-Haven 9, 2030 Antwerp, Belgium
PIONEER ELECTRONICS AUSTRALIA PTY. LTD. 178-184 Boundary Road, Braeside, Victoria 3195, Australia

<ART-297-0>

© MAY, 1978 Printed in Japan <78E 02Y8G01>

1 SPECIFICATIONS

Motor and Turntable

Drive System: Belt-drive
Motor: 4-pole synchronous
Turntable Platter: 300mm diam. aluminum alloy die-cast
Speeds: 33-1/3 and 45rpm
Wow and Flutter: Less than 0.055% (WRMS)
Signal-to-Noise Ratio: More than 65dB (DIN-B) (with Pioneer cartridge model PC-135)

Tonearm

Type: Static-balance type, S-shaped pipe arm
Effective Arm Length: 221mm
Overhang: 15.5mm
Tracking Error: 0.525 deg./in, 0.21 deg./cm
Usable Cartridge Weight: 4g (min.) to 10g (max.)

Other Features

Cueing device, Detachable dust cover, Insulator feet
Plug-in type headshell, particle board cabinet

Miscellaneous

Power Requirements: AC 120V, 60Hz
Power Consumption: 10W
Dimensions: 440(W) x 132(H) x 365(D)mm
17-5/16(W) x 5-1/2(H) x 14-3/8(D) in
Weight: 6.5kg/14lb 5oz

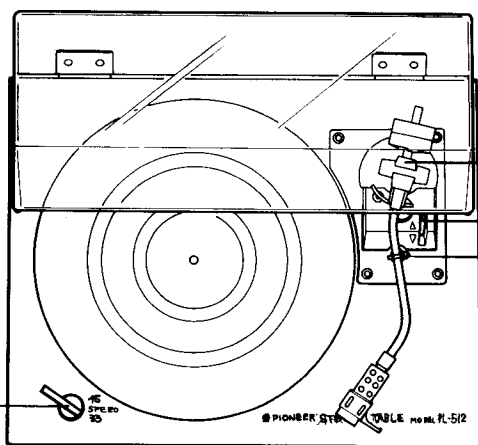
Accessories

Accessory Oil 1
EP adaptor 1
Screwdriver 1
Cartridge mounting screws 6
Cartridge mounting nuts 2
Cartridge mounting washers 2
Operating instructions 1

NOTE:

Specifications and design subject to possible modification without notice, due to improvements.

2. PANEL FACILITIES AND OPERATION



● TONEARM

This tonearm is designed to apply the correct tracking force to the cartridge and to keep this force at precisely the right level for faithful tracking of the record grooves. It also has the job of switching the power on to the turntable.

▲ ARM-ELEVATION LEVER

- ▲ ... UP: When this lever is set to this position, the tonearm will rise. Set it to UP before record play and when you want to stop record play while a track is being played or when you want to change over to a different track.
- ▼ ... DOWN: When the lever is set to this position, the tonearm will be lowered. If it is set to DOWN for record play the tonearm will be lowered onto the surface of the record, and play will begin.

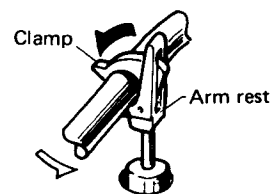
● SPEED SELECT LEVER

Either of two speeds, 33-1/3 rpm or 45 rpm, can be selected by this lever. Change the position only while the turntable is rotating.

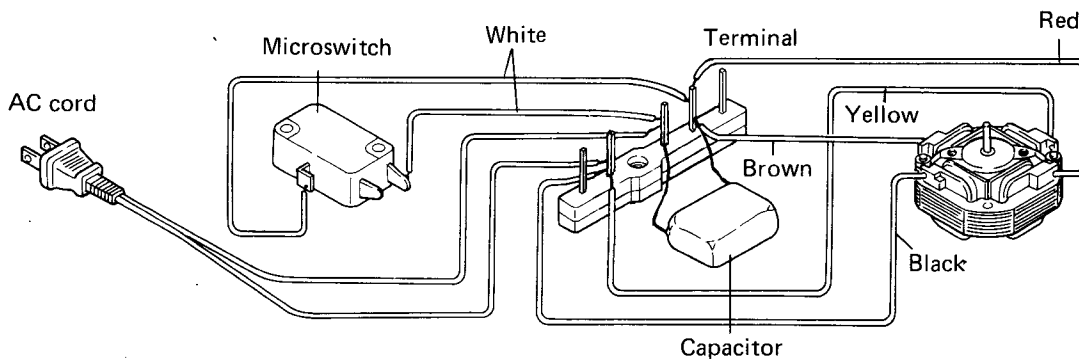
- 33 When playing a 33-1/3 rpm record.
- 45 When playing a 45 rpm record.

● ARM REST

The arm rest supports the tonearm. As illustrated in the figure, use the clammer to keep the tonearm in place when you are not playing records.



3. WIRING



4. DISASSEMBLY

4.1 Tonearm

1. First remove the 4 screws ① ~ ③, ⑮ securing the under board.
2. Then remove the 2 screws ④ ~ ⑤ holding the microswitch.
3. Also remove the 2 screws ⑥ ~ ⑦ holding the shield cover.
4. Use a soldering iron to disconnect the 6 leads from the terminal strip (1L4P).
5. Then remove the screw ⑧ securing the terminal strip.
6. Next use a hexagonal wrench to remove the 4 screws ⑨ ~ ⑫ securing the arm base.
7. Also remove the screw ⑬ holding the PU plate.
8. Finally, remove screw ⑭, again using a hexagonal wrench. The tonearm may now be gently lifted out.

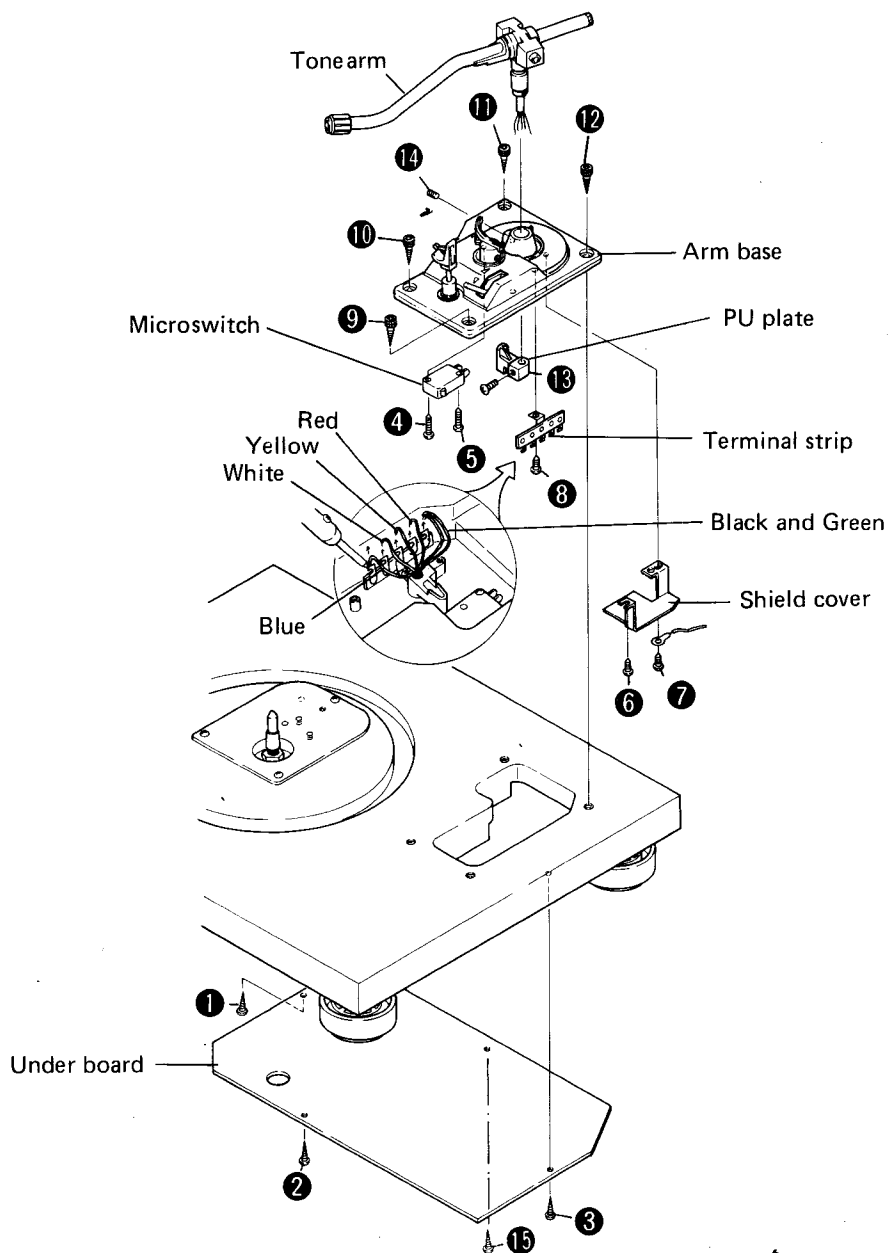


Fig. 1

4.2 Motor

1. First remove the speed selector lever ① (pull straight out).
2. Also remove the belt.
3. Then remove the 5 screws ② ~ ⑤, ⑫ securing the motor base.
4. Remove the under board as described in step 1 under the "Tonearm" section above, and then

disconnect the motor leads from the terminal strip, using a soldering iron as shown in Fig. 2 (inset).

5. Remove the screw ⑥ holding the shifter base.
6. Finally remove 3 E-type washers ⑦ ~ ⑨ holding the motor plate, and the 2 screws ⑩ ~ ⑪ securing the motor to the motor plate.

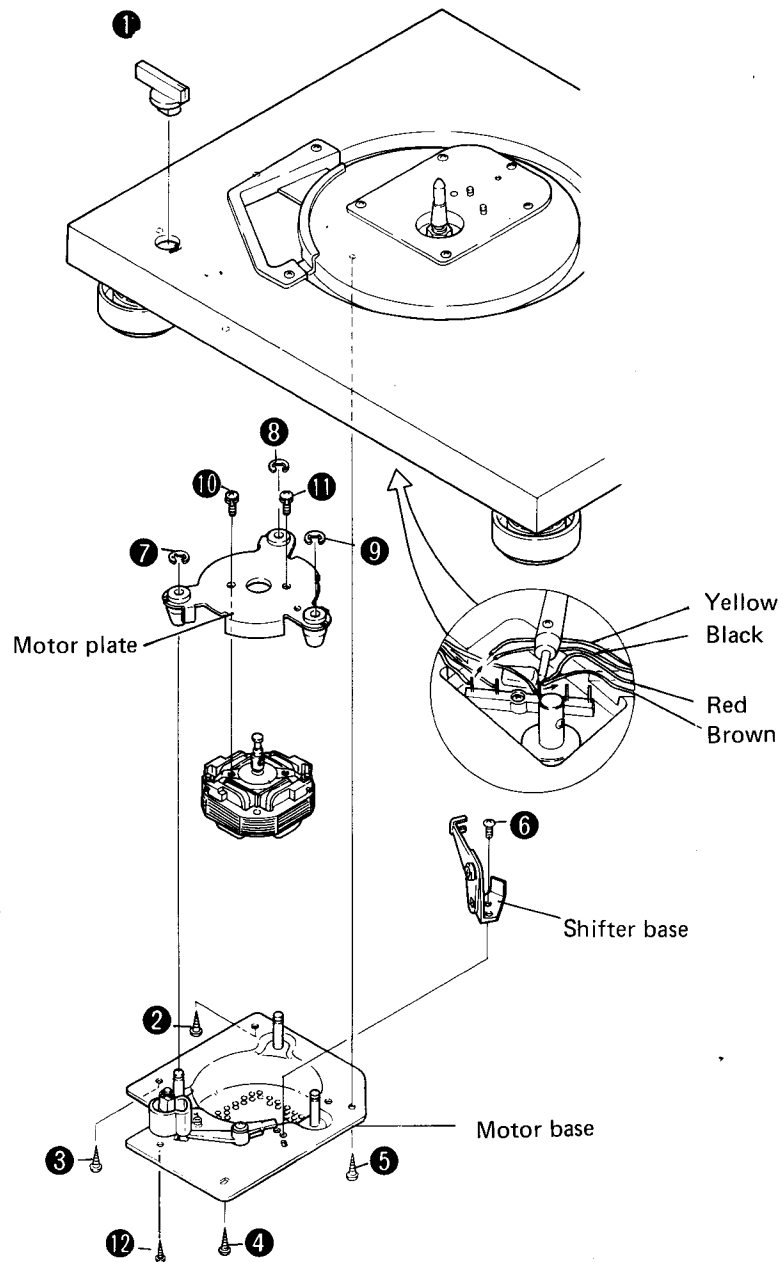
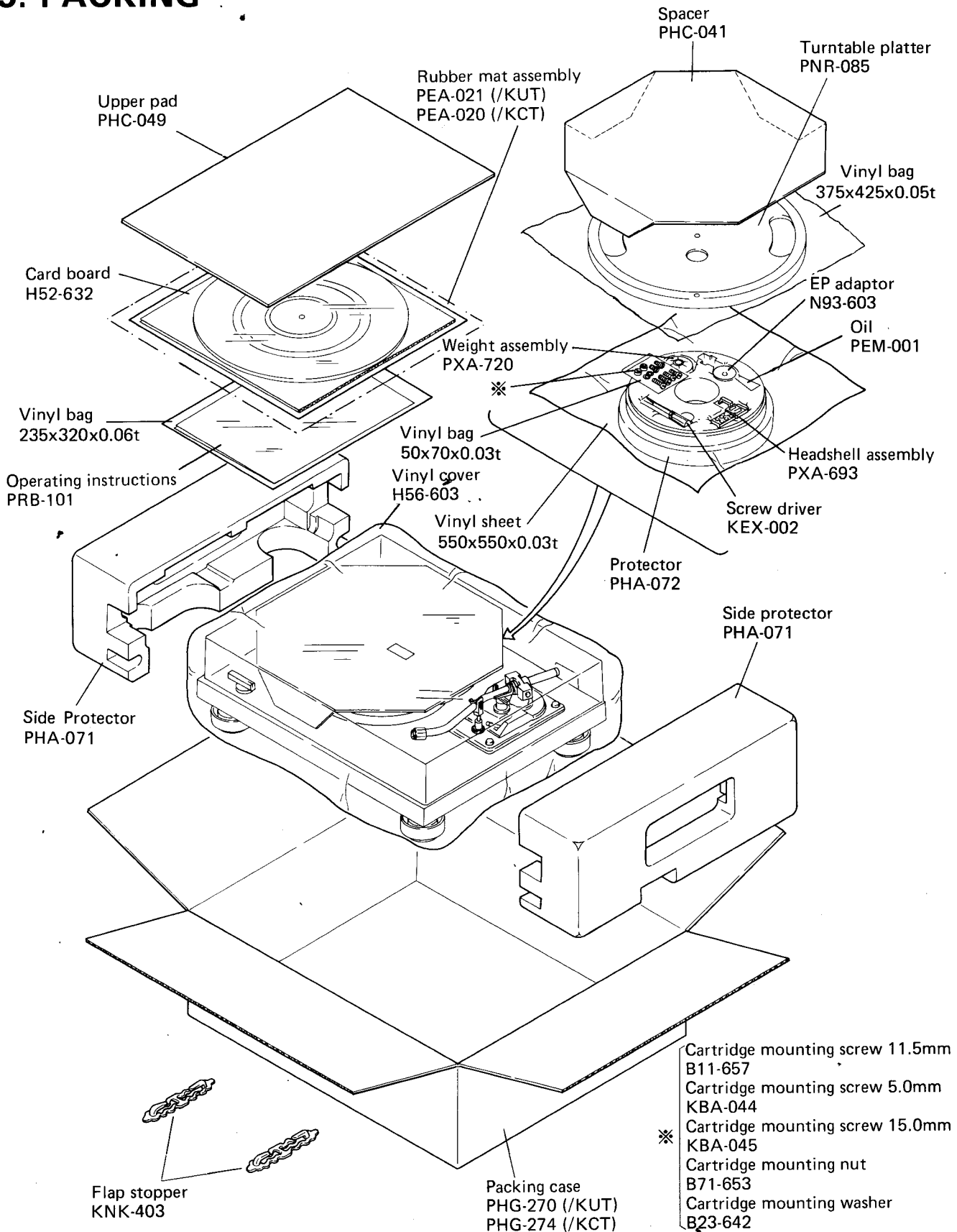
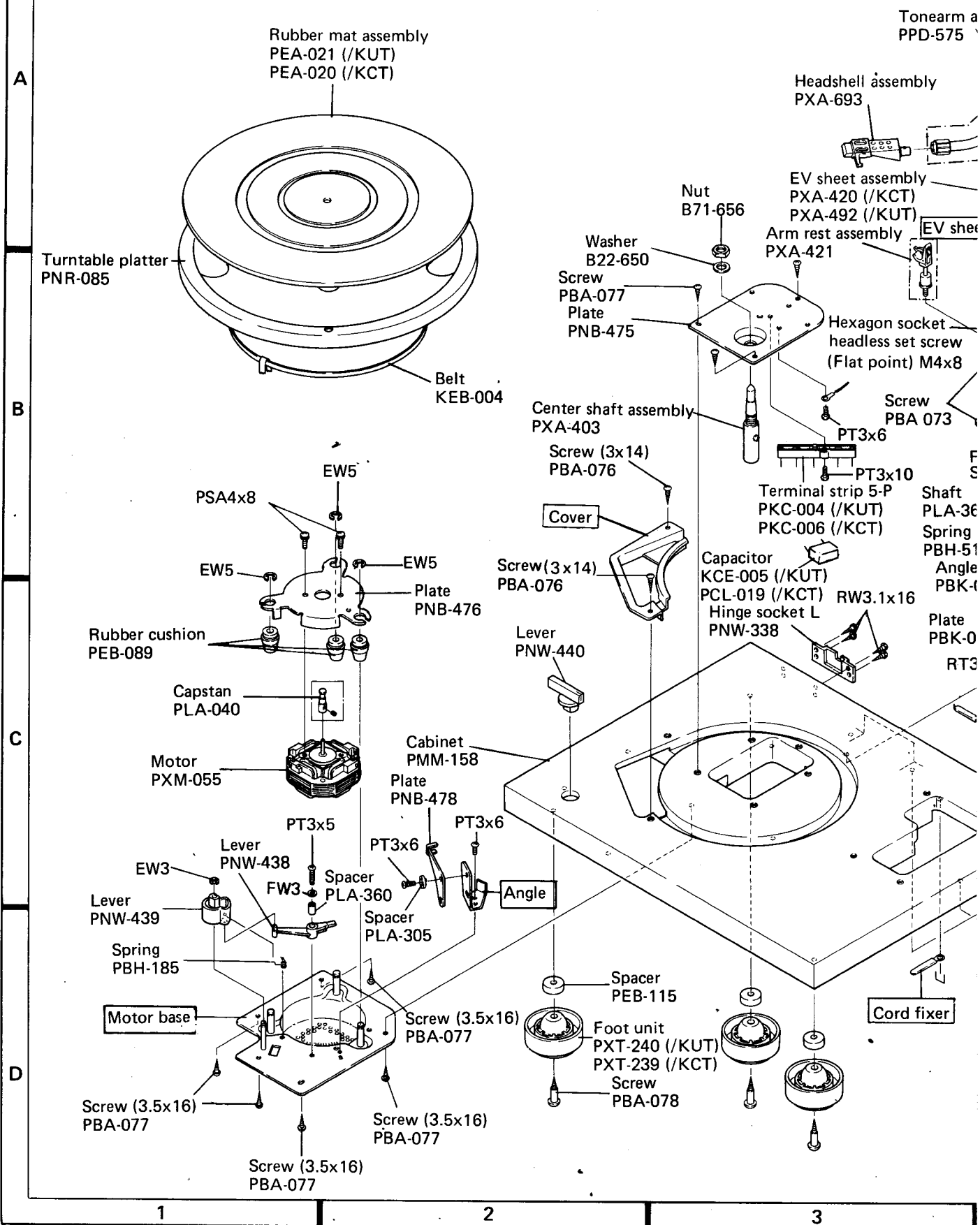


Fig. 2

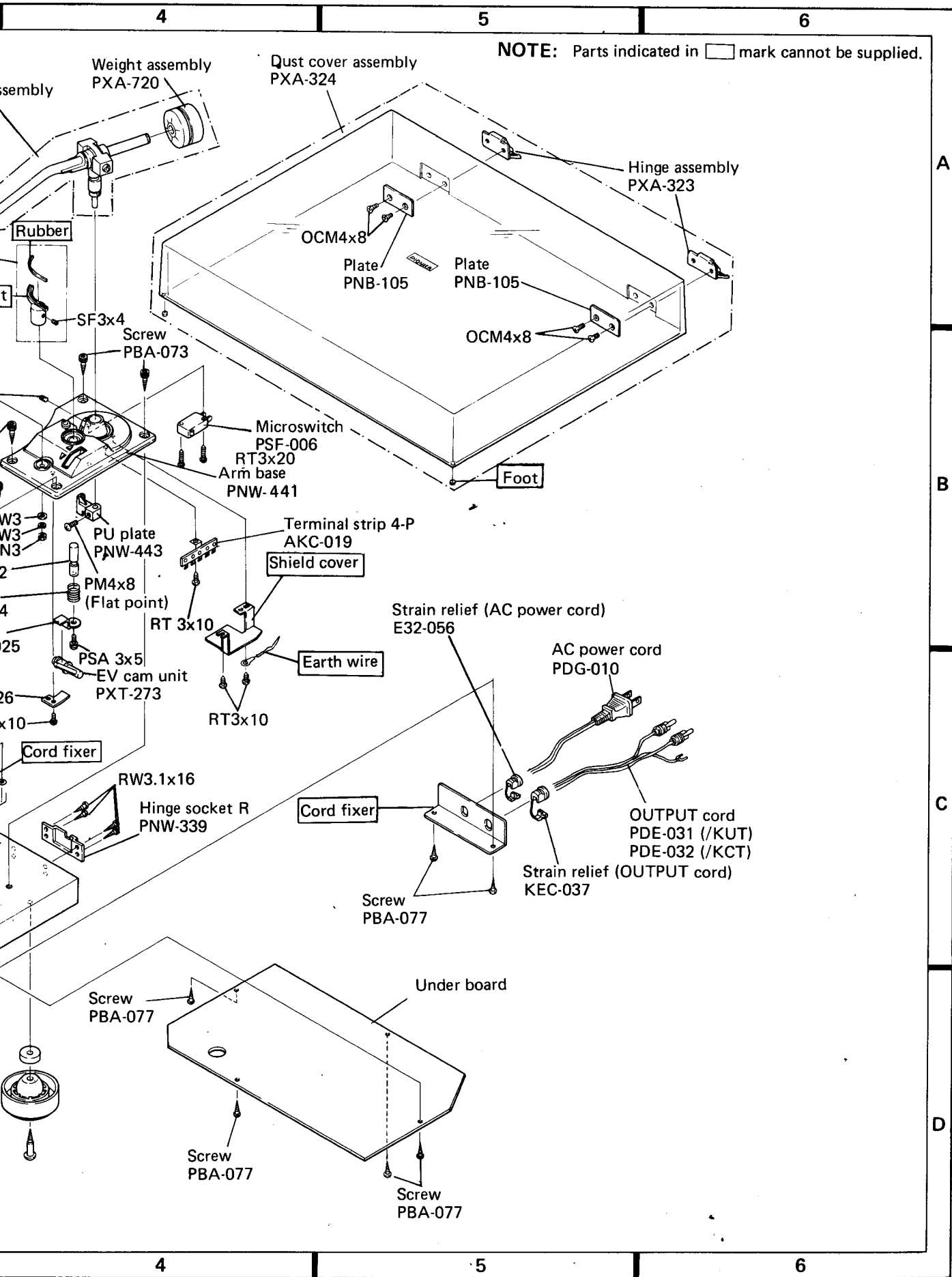
5. PACKING



6. EXPLODED VIEW



Tonearm a
PPD-575



NOTE: Parts indicated in [] mark cannot be supplied.

A
B
C
D

4 5 6

4 5 6