

ADDITIONAL

 PIONEER®

Service Manual

ORDER NO.
ARP-109-0

STEREO TURNTABLE

PL-930

WE, WB,
WP, R, R/G

MODEL PL-930 COMES IN FIVE VERSIONS DISTINGUISHED AS FOLLOWS:

Type	Voltage	Remarks
WE	220V - 240V	Europe model
WB	220V - 240V	United kingdom model
WP	220V - 240V	Oceania model
R	110V - 120V/220V - 240V (Switchable)	General export model
R/G	110V - 120V/220V - 240V (Switchable)	U.S. military model

- The basic performance of the PL-930/WE, WB, WP, R and R/G types is the same as the PL-7/KUT type. Please refer to the PL-7/KUT type service manual (ART-701) with the exception of those supplements.

2. CONTRAST OF MISCELLANEOUS PARTS

NOTES:

- Parts without part number cannot be supplied.
- The Δ mark found on some component parts indicates the importance of the safety factor of the part. Therefore, when replacing, be sure to use parts of identical designation.
- For your Parts Stock Control, the fast moving items are indicated with the marks **★★** and **★**.
★★ GENERALLY MOVES FASTER THAN ★
 This classification shall be adjusted by each distributor because it depends on model number, temperature, humidity, etc.

Mark	Symbol & Description	Part No.					
		PL-7/KUT	PL-930/WE	PL-930/WB	PL-930/WP	PL-930/R	PL-930/R/G
	Panel	PNX-346	PNX-461	PNX-461	PNX-461	PNX-472	PNX-472
	Front name plate (A)	PAM-074	PAM-087	PAM-087	PAM-087	PAM-087	PAM-087
	S/S knob(A) unit	PAD-085
	S/S knob (C) unit	PAD-097	PAD-097	PAD-097	PAD-097	PAD-097
	R knob (A) unit	PAD-086
	R knob (C) unit	PAD-100	PAD-100	PAD-100	PAD-100	PAD-100
	SE knob (A) unit	PAD-087
	SE knob (C) unit	PAD-099	PAD-099	PAD-099	PAD-099	PAD-099
	SP knob (A) unit	PAD-088
	SP knob (E) unit	PAD-098	PAD-098	PAD-098	PAD-098	PAD-098
	Rubber mat assembly	PEA-057	PEA-057	PEA-057	PEA-057	PEA-057	PEA-057
Δ ★★	Microswitch	PSF-020	PSF-020	PSF-020	PSF-020	PSF-020	PSF-020
Δ ★	Power transformer (120V)	PTT-119
Δ ★	Power transformer (220/240V)	PTT-143	PTT-143	PTT-143
Δ ★	Power transformer (110-120V/220-240V)	PTT-121	PTT-121
Δ	Power cord	PDG-023	PDG-025	PDG-026	PDG-027	PDG-028	PDG-028
	Strain relief	PEC-056	PEC-056	PEC-056	PEC-056
	Strain relief (AC cord)	PEC-058	PEC-058	PEC-058
Δ ★★	Line voltage selector	PSB-011	PSB-011
	Operating instructions	PRB-188	PRD-076	PRB-210	PRB-210	PRB-210	PRB-210
	Packing case	PHG-438	PHG-500	PHG-500	PHG-500	PHG-500	PHG-500
	Top protector	PHC-092
	PU cord	PDE-064	PDE-120	PDE-120	PDE-120	PDE-120	PDE-120
Δ	Power supply assembly	XWR-005	XWR-024	XWR-024	XWR-024	XWR-029	XWR-029
	Control assembly	XWM-056	XWM-085	XWM-085	XWM-085	XWM-085	XWM-085
	LED assembly	XWX-061	XWX-082	XWX-082	XWX-082	XWX-082	XWX-082

3. ELECTRICAL PARTS LIST

NOTES:

- When ordering resistors, first convert resistance values into code form as shown in the following examples.

Ex. 1 When there are 2 effective digits (any digit apart from 0), such as 560 ohm and 47k ohm (tolerance is shown by J=5%, and K=10%).

560Ω	56 × 10 ¹	561	RD4PS	561 J
47kΩ	47 × 10 ³	473	RD4PS	473 J
0.5Ω	0R5	RN2H	050	K
1Ω	010	RS1P	010	K

Ex. 2 When there are 3 effective digits (such as in high precision metal film resistors).

5.62kΩ	562 × 10 ¹	5621	RN4SR	5621 F
--------	-----------------------	----------------	-------	--------

- The Δ mark found on some component parts indicates the importance of the safety factor of the part. Therefore, when replacing, be sure to use parts of identical designation.
- For your Parts Stock Control, the fast moving items are indicated with the marks **★★** and **★**.
★★ GENERALLY MOVES FASTER THAN ★
 This classification shall be adjusted by each distributor because it depends on model number, temperature, humidity, etc.

Power Supply Assembly (XWR-024)

CAPACITOR

Mark	Part No.	Symbol & Description
Δ	PCL-041	C1 Capacitor

Power Supply Assembly (XWR-029)

Mark	Part No.	Symbol & Description
Δ	PCL-040	C1

Control Assembly (XWM-085)

SWITCH AND SEMICONDUCTORS

Mark	Part No.	Symbol & Description
★★	PSG-029	S2 Push switch
★★	2SD985	Q1
★★	2SC2458 (2SC945) (2SC1815)	Q2, Q3
★	PCX-010 (WL02)	D1
★	WZ-300 (MZ-300)	D2
★	WZ-100 (MZ-100)	D4

CAPACITORS AND RESISTORS

Mark	Part No.	Symbol & Description
	CEA 102M 50L	C2
	CEA470M 35L	C3
	CKDYF 103Z 50	C4
	CEA330M 6.3L	C6
	RS1PF222J	R1
	RD4PM□□□J	R2 ~ R4

LED Assembly (XWX-082)

Mark	Part No.	Symbol & Description
★	GL-9PR2	D3 LED

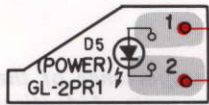
4

5

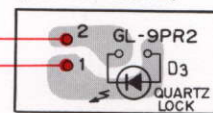
6

2. CONTRAST OF MISCELLANEOUS PARTS

LED Ass'y(B)



LED Ass'y (XWX-082)

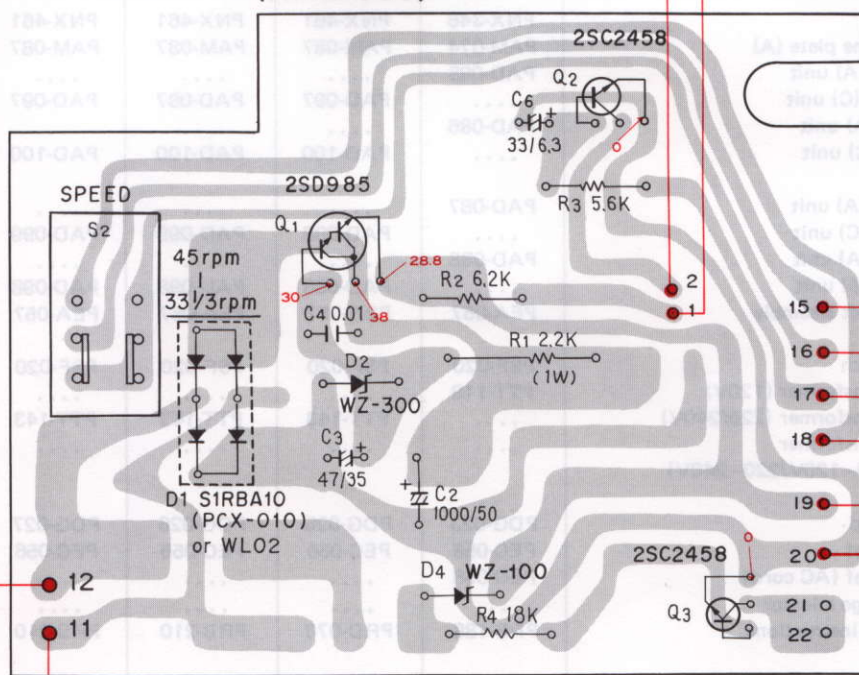


A

B

C

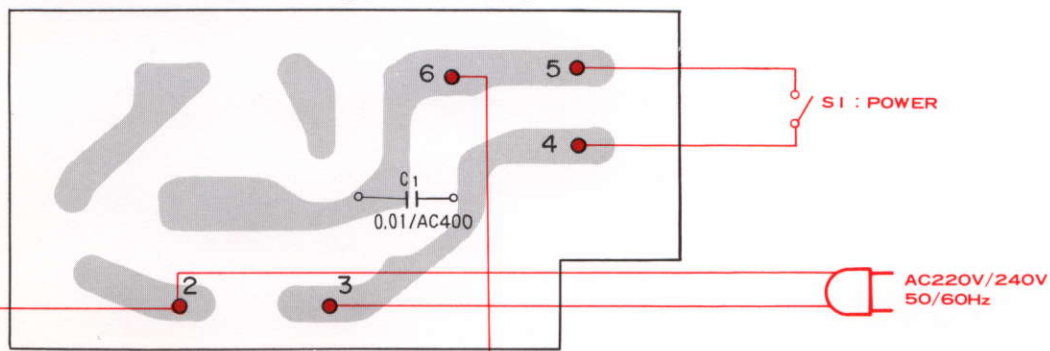
CONTROL Ass'y (XWM-085)



- 15 ● BRN <1>
- 16 ● WHT <2>
- 17 ● BLU <3>
- 18 ● YEL <4>
- 19 ● RED <5>
- 20 ● BLK <6>
- 21 ○
- 22 ○

D

POWER SUPPLY Ass'y(XWR-024)



4

5

6

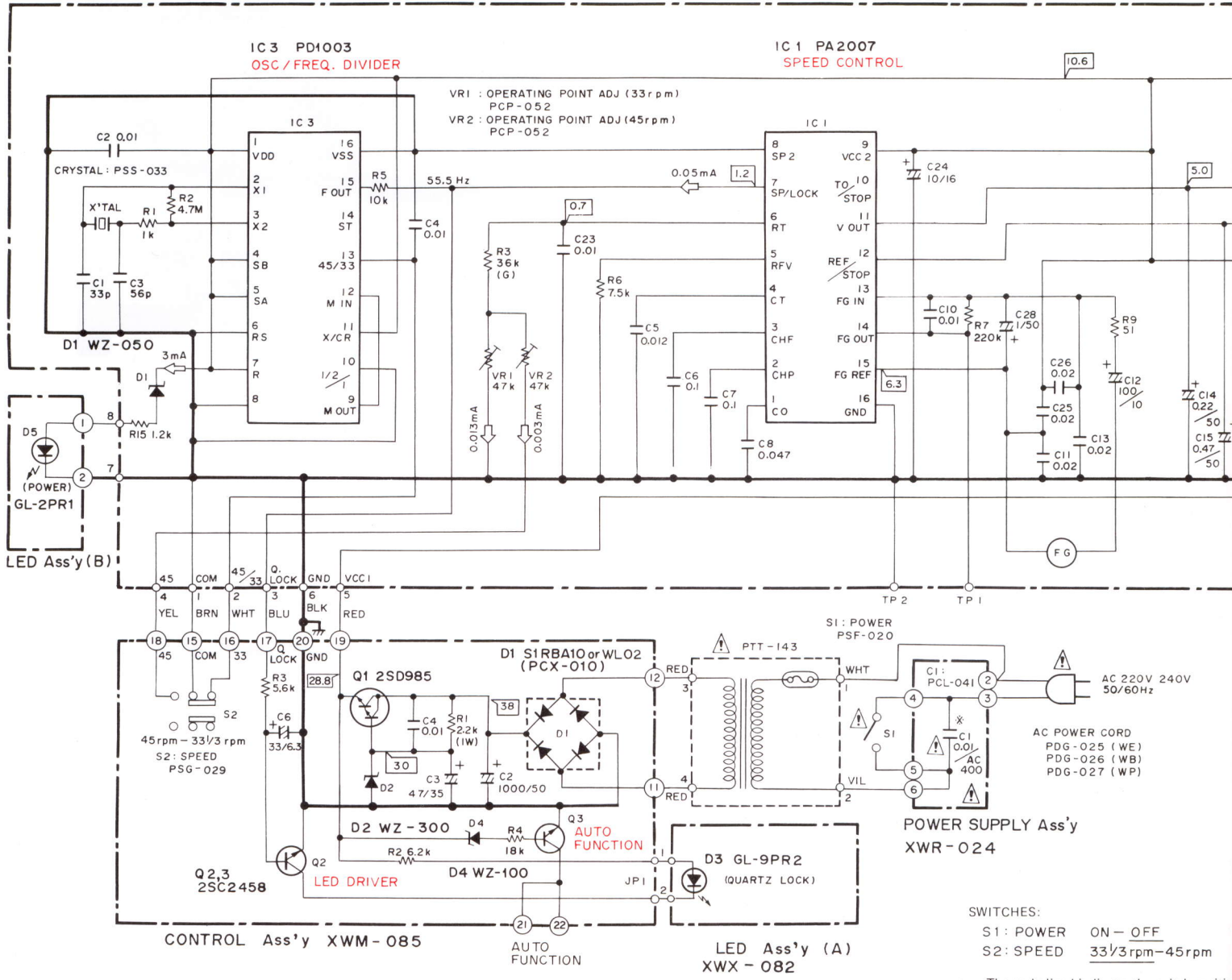
5. SCHEMATIC DIAGRAM

MOTOR Ass'y PWM-061

A

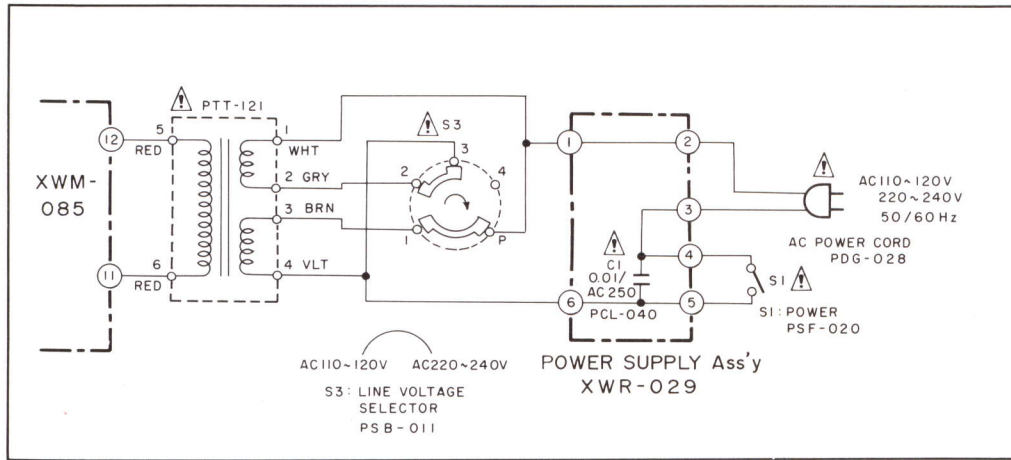
B

C



POWER SUPPLY CIRCUIT FOR R, R/G TYPES

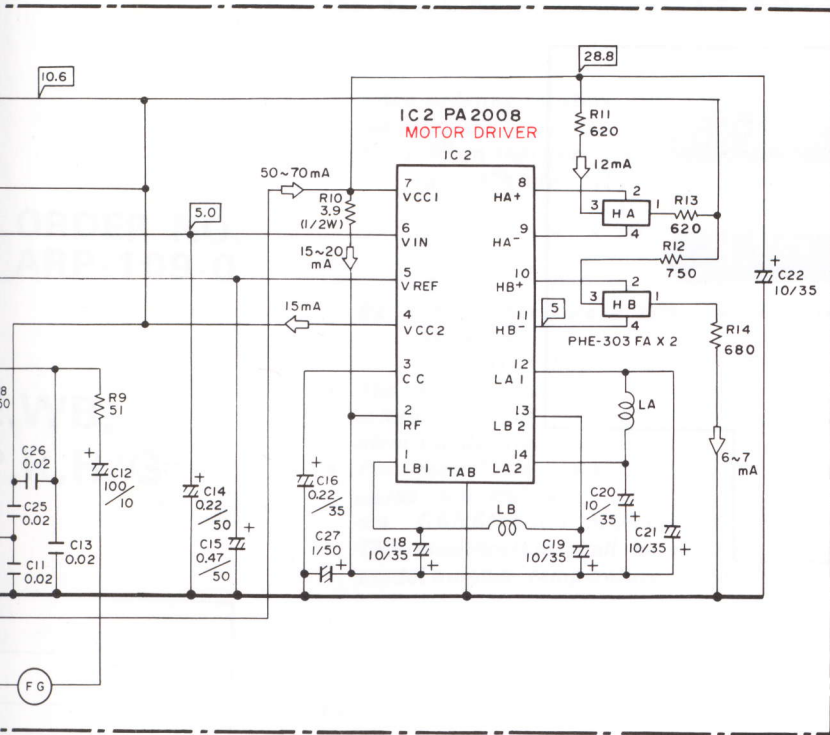
D



1

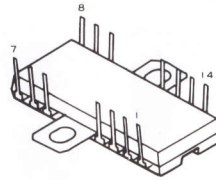
2

3

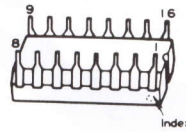


NOTE:
The indicated semiconductors are representative ones only. Other alternative semiconductors may be used and are listed in the parts list.

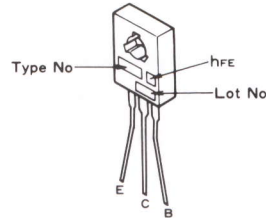
PA2008



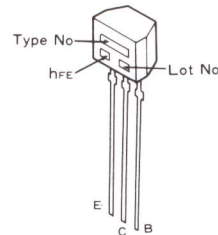
PA2007 PD1003



2SD985



2SC2458



1. RESISTORS:
Indicated in Ω , $\frac{1}{4}W$, $\pm 5\%$ tolerance unless otherwise noted k : k Ω , M : M Ω , (F) : $\pm 1\%$, (G) : $\pm 2\%$, (K) : $\pm 10\%$, (M) : $\pm 20\%$ tolerance
2. CAPACITORS:
Indicated in capacity (μF)/voltage (V) unless otherwise noted p : pF
Indication without voltage is 50V except electrolytic capacitor.
3. VOLTAGE, CURRENT:
 - : DC voltage (V) at no input signal
 - : DC current at no input signal
4. OTHERS:
 - : Adjusting point.
 - The mark found on some component parts indicates the importance of the safety factor of the part. Therefore, when replacing, be sure to use parts of identical designation.

AC POWER CORD
PDG-025 (WE)
PDG-026 (WB)
PDG-027 (WP)

POWER ON - OFF
SPEED 33/3rpm - 45rpm

Ass'y

derlined indicates the switch position.

This is the basic schematic diagram, but the actual circuit may vary due to improvements in design.

A

B

C

D

