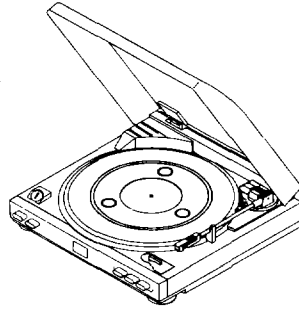


Service Manual

PIONEER
The Art of Entertainment



ORDER NO.
RRV 1608

STEREO TURNTABLE PL-990

THIS MANUAL IS APPLICABLE TO THE FOLLOWING MODEL(S) AND TYPE(S).

Type	Model	Power Requirement	The voltage can be converted by the following method.
	PL-990		
KUCXCN1	O	AC120V	_____
WYXCN1	O	AC220 - 240V	_____
WVXCN1	O	AC220 - 240V	_____
WPWXCN1	O	AC220 - 240V	_____
RDXCN1	O	AC110 - 127V/220 - 240V	With the voltage selector

CONTENTS

1. SAFETY INFORMATION	2
2. PACKING, EXPLODED VIEWS AND PARTS LIST	3
3. SCHEMATIC AND PCB CONNECTION DIAGRAMS	7
4. PCB PARTS LIST	10
5. ADJUSTMENTS	11
6. PANEL FACILITIES	12
7. SPECIFICATIONS	12

PIONEER ELECTRONIC CORPORATION

4-1, Meguro 1-Chome, Meguro-ku, Tokyo 153, Japan

PIONEER ELECTRONICS SERVICE, INC. P.O.Box 1760, Long Beach, CA 90801-1760, U.S.A.

PIONEER ELECTRONIC [EUROPE] N.V. Haven 1087, Keetberglaan 1, 9120 Melsele, Belgium

PIONEER ELECTRONICS ASIACENTRE PTE. LTD. 501 Orchard Road, #10-00 Lane Crawford Place, Singapore 0923

1. SAFETY INFORMATION

This service manual is intended for qualified service technicians; it is not meant for the casual do-it-yourselfer. Qualified technicians have the necessary test equipment and tools, and have been trained to properly and safely repair complex products such as those covered by this manual. Improperly performed repairs can adversely affect the safety and reliability of the product and may void the warranty. If you are not qualified to perform the repair of this product properly and safely, you should not risk trying to do so and refer the repair to a qualified service technician.

WARNING

Lead in solder used in this product is listed by the California Health and Welfare agency as a known reproductive toxicant which may cause birth defects or other reproductive harm (California Health & Safety Code, Section 25249.5).

When servicing or handling circuit boards and other components which contain lead in solder, avoid unprotected skin contact with the solder. Also, when soldering do not inhale any smoke or fumes produced.

(FOR USA MODEL ONLY)

1. SAFETY PRECAUTIONS

The following check should be performed for the continued protection of the customer and service technician.


LEAKAGE CURRENT CHECK

Measure leakage current to a known earth ground (water pipe, conduit, etc.) by connecting a leakage current tester such as Simpson Model 229-2 or equivalent between the earth ground and all exposed metal parts of the appliance (input/output terminals, screwheads, metal overlays, control shaft, etc.). Plug the AC line cord of the appliance directly into a 120V AC 60 Hz outlet and turn the AC power switch on. Any current measured must not exceed 0.5 mA.

ANY MEASUREMENTS NOT WITHIN THE LIMITS OUTLINED ABOVE ARE INDICATIVE OF A POTENTIAL SHOCK HAZARD AND MUST BE CORRECTED BEFORE RETURNING THE APPLIANCE TO THE CUSTOMER.

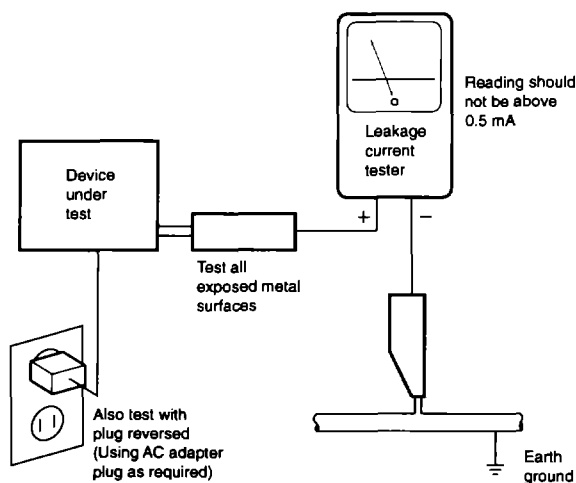
2. PRODUCT SAFETY NOTICE

Many electrical and mechanical parts in the appliance have special safety related characteristics. These are often not evident from visual inspection nor the protection afforded by them necessarily can be obtained by using replacement components rated for voltage, wattage, etc. Replacement parts which have these special safety characteristics are identified in this Service Manual.

Electrical components having such features are identified by marking with a  on the schematics and on the parts list in this Service Manual.

The use of a substitute replacement component which does not have the same safety characteristics as the PIONEER recommended replacement one, shown in the parts list in this Service Manual, may create shock, fire, or other hazards.

Product Safety is continuously under review and new instructions are issued from time to time. For the latest information, always consult the current PIONEER Service Manual. A subscription to, or additional copies of, PIONEER Service Manual may be obtained at a nominal charge from PIONEER.



AC Leakage Test

2. PACKING, EXPLODED VIEWS AND PARTS LIST

NOTES:

- Parts marked by "NSP" are generally unavailable because they are not in our Master Spare Parts List.
- The Δ mark found on some component parts indicates the importance of the safety factor of the part. Therefore, when replacing, be sure to use parts of identical designation.
- Parts marked by "●" are not always kept in stock. Their delivery time may be longer than usual or they may be unavailable.

2.1 PACKING

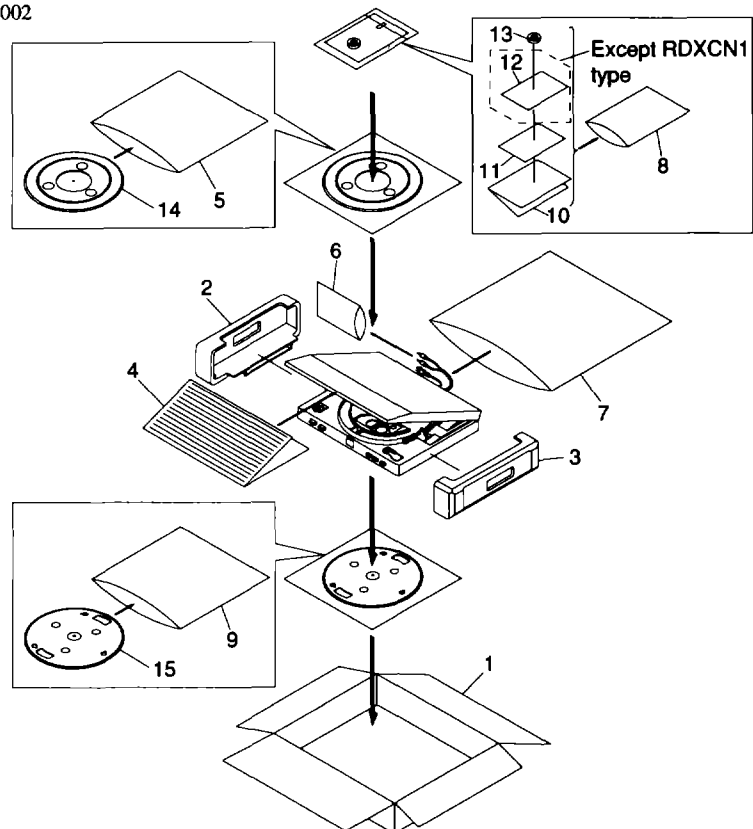
■ CONTRAST OF PL-990/KUCXCXN1, WYXCXN1, WVXCXN1, WPWXCXN1 AND RDXCN1

PL-990/KUCXCXN1, WYXCXN1, WVXCXN1, WPWXCXN1 and RDXCN1 have the same construction except for the following:

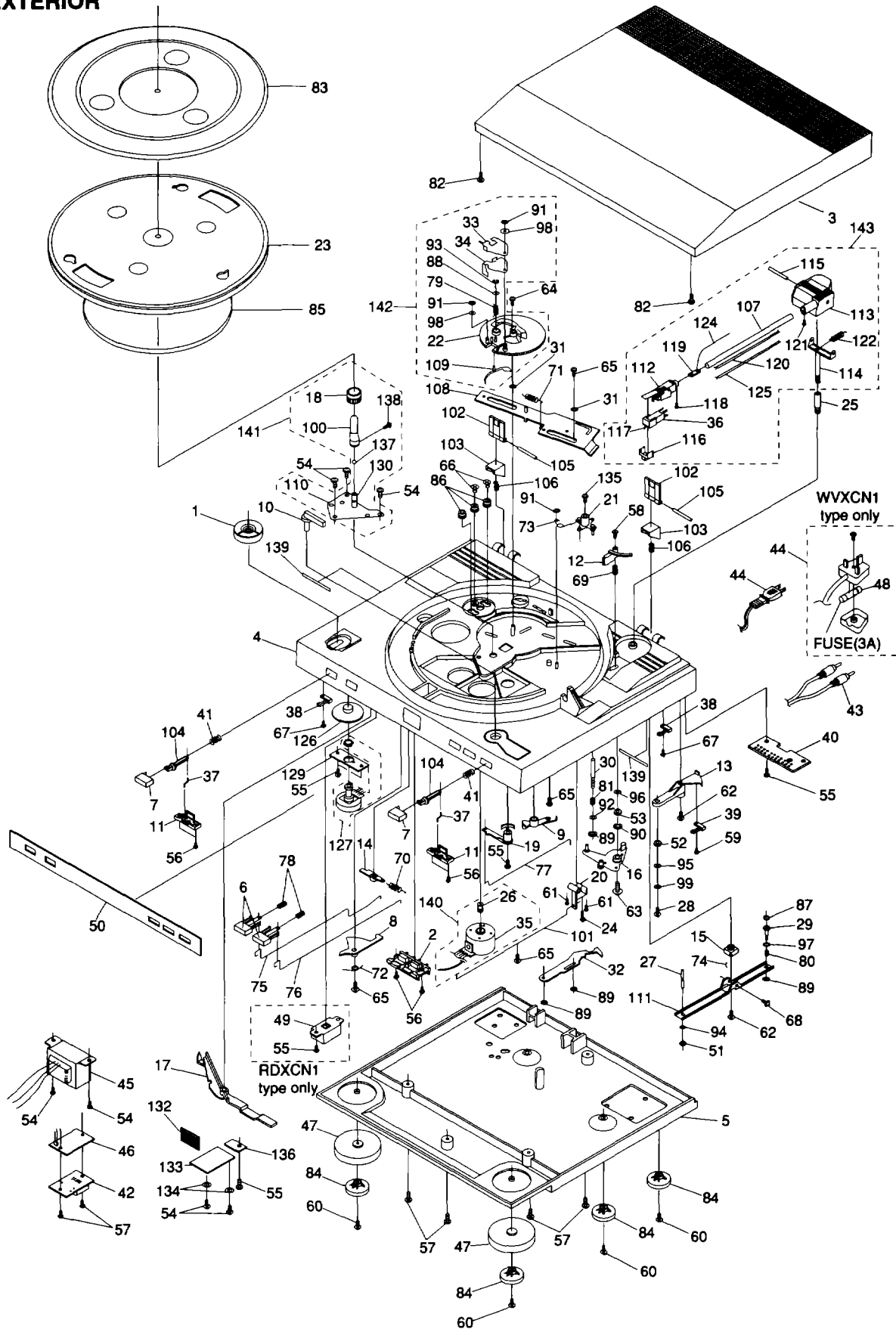
Mark	No.	Symbol & Description	Part No.					Remarks
			KUCXCXN1 TYPE	WYXCXN1 TYPE	WVXCXN1 TYPE	WPWXCXN1 TYPE	RDXCN1 TYPE	
	1	PACKING CASE	PZH1010	PZH1007	PZH1006	PZH1009	PZH1008	
	10	OPERATING INSTRUCTIONS (English/French/Spanish/Chinese)	PZR1002	Not used	PZR1002	PZR1002	PZR1002	
	10	OPERATING INSTRUCTIONS (English/French/German/Italian/Dutch/Swedish/Spanish/Portuguese)	Not used	PZR1001	Not used	Not used	Not used	
NSP	12	WARRANTY CARD	PZR1007	PZR1005	PZR1005	PZR1006	Not used	

■ PARTS LIST FOR PL-990/KUCXCXN1

Mark	No.	Description	Parts No.	Mark	No.	Description	Parts No.
	1	PACKING CASE	PZH1010	NSP	11	EQ CAUTION	PZR1004
	2	POLYFORM(L)	PZH1011	NSP	12	WARRANTY CARD	PZR1007
	3	POLYFORM(R)	PZH1012		13	EP ADAPTOR	PZE1001
	4	POLYSTYRENE BAG	PZH1015		14	PLATTER MAT	PZN1062
	5	PE BAG	PZH1019		15	PLATTER	PZN1082
	6	PE BAG	PZH1020				
	7	PE BAG	PZH1022				
	8	PE BAG	PZH1023				
	9	PE BAG	PZH1024				
	10	OPERATING INSTRUCTIONS (English/French/Spanish/Chinese)	PZR1002				



2.2 EXTERIOR



NOTE : Screws adjacent to ▼ mark on product are used for disassembly.

■ CONTRAST OF PL-990/KUCXCN1, WYXCN1, WVXCN1, WPWXCN1 AND RDXCN1

PL-990/KUCXCN1, WYXCN1, WVXCN1, WPWXCN1 and RDXCN1 have the same construction except for the following:

Mark	No.	Symbol & Description	Part No.					Remarks
			KUCXCN1 TYPE	WYXCN1 TYPE	WVXCN1 TYPE	WPWXCN1 TYPE	RDXCN1 TYPE	
△	44	AC CORD	PZK1007	PZK1009	PZK1008	PZK1011	PZK1010	
△	45	POWER TRANSFORMER (AC120V)	PZT1001	Not used	Not used	Not used	Not used	
△	45	POWER TRANSFORMER (AC220 - 240V)	Not used	PZT1002	PZT1002	Not used	Not used	
△	45	POWER TRANSFORMER (AC220 - 240V)	Not used	Not used	Not used	PZT1004	Not used	
△	45	POWER TRANSFORMER (AC110 - 127/220 - 240V)	Not used	Not used	Not used	Not used	PZT1003	
△	48	FUSE (3A)	Not used	Not used	PZE1003	Not used	Not used	
△	49	VOLTAGE SELECTOR SW	Not used	Not used	Not used	Not used	PZK1014	

■ PARTS LIST FOR PL-990/KUCXCN1

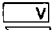
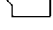
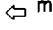


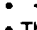
Mark	No.	Description	Parts No.	Mark	No.	Description	Parts No.
	1	EP ADAPTOR	PZE1001		41	SPRING	PZB1006
	2	PRESS SET	PZN1026		42	P.C.BOARD ASSY	PZX1027
	3	DUST COVER	PZN1079		43	SIGNAL WIRE	PZK1006
	4	PANEL	PZN1080	△	44	AC CORD	PZK1007
	5	BOTTOM PLATE	PZN1081	△	45	POWER TRANSFORMER (AC120V)	PZT1001
	6	PLAY,STOP KNOB	PZN1030		46	INSULATOR	PZN1059
	7	SPEED,CUEING KNOB	PZN1031		47	FOOT RING	PZN1069
	8	PENDULUM(L)	PZN1032		48	
	9	PENDULUM(M)	PZN1033		49	
	10	SELECT RECORD KNOB	PZN1034		50	DECORATIVE PLATE	PZN1084
	11	KNOB SET	PZN1035		51	NUT	PZB1007
	12	LIFTER	PZN1036		52	NUT	PZB1008
	13	FIXING SWITCH SET	PZN1037		53	NUT	PZB1009
	14	PENDULUM(S)	PZN1038		54	SCREW	PZB1010
	15	LIFTER SET	PZN1039		55	SCREW	PZB1011
	16	STARTING LEVER	PZN1040		56	SCREW	PZB1012
	17	STARTING SUPPORT	PZN1041		57	SCREW	PZB1013
NSP	18	SMALL GEAR	PZN1042		58	SCREW	PZB1014
	19	SELECTOR	PZN1043		59	SCREW	PZB1015
	20	OIL SHAFT SET	PZN1044		60	SCREW	PZB1016
	21	SELECT PLATE	PZN1045		61	SCREW	PZB1050
NSP	22	CAM GEAR	PZN1046		62	SCREW	PZB1018
	23	PLATTER	PZN1082		63	SCREW	PZB1019
	24	SCREW	PZB1052		64	SCREW	PZB1020
NSP	25	TONEARM SHAFT SET	PZP1003		65	SCREW	PZB1021
NSP	26	PULLEY	PZX1015		66	SCREW	PZB1022
	27	SHAFT	PZN1048		67	SCREW	PZB1023
	28	SHAFT	PZN1049		68	SCREW	PZB1024
	29	SHAFT	PZN1050		69	SPRING	PZB1025
	30	SHAFT	PZN1051		70	SPRING	PZB1026
	31	COPPER WASHER	PZN1052		71	SPRING	PZB1027
	32	CONTROL PLATE	PZN1053		72	SPRING	PZB1028
NSP	33	FRICTION LINK	PZN1054		73	SPRING	PZB1029
NSP	34	ACTUATING LINK	PZN1055		74	SPRING	PZB1030
NSP	35	MOTOR	PZX1010		75	SPRING	PZB1053
	36	CARTRIDGE	PZP1001		76	SPRING	PZB1054
	37	STEEL CRAMPER	PZN1056		77	SPRING	PZB1055
	38	MICRO SWITCH (SW2, SW3)	PZS1001		78	SPRING	PZB1034
	39	MICRO SWITCH (SW1)	PZS1002	NSP	79	SPRING	PZB1035
	40	EQ P.C.BOARD ASSY	PZX1029		80	SPRING	PZB1036

PL-990

Mark	No.	Description	Parts No.	Mark	No.	Description	Parts No.
	81	SPRING	PZB1037		136	LED P.C.BOARD ASSY	PZX1028
	82	RUBBER FOR DUSTCOVER	PZN1061	NSP	137	STEEL BALL	PZN1067
	83	PLATTER MAT	PZN1062	NSP	138	SCREW	PZB1017
	84	RUBBER FOOT	PZN1063		139	WASHER	PZB1060
	85	BELT	PZN1064		140	MOTOR ASSY	PZX1025
	86	RUBBER FOR MOTOR	PZN1065		141	T/T SHAFT ASSY	PZX1026
	87	RUBBER CAP	PZN1066		142	GEAR ASSY	PZX1013
NSP	88	WASHER	PZB1038		143	TONEARM ASSY	PZX1014
	89	E - RING WASHER(3mm)	PZB1039				
	90	E - RING WASHER(5mm)	PZB1040				
NSP	91	CS WASHER(3mm)	PZB1041				
	92	WASHER	PZB1042				
NSP	93	E - RING WASHER(2mm)	PZB1043				
	94	SPRING WASHER	PZB1044				
	95	SPRING WASHER	PZB1045				
	96	WASHER	PZB1046				
	97	WASHER	PZB1047				
NSP	98	WASHER	PZB1048				
	99	WASHER	PZB1049				
NSP	100	PLATTER SHAFT ASSY	PZN1076				
	101	SPRING FOR CUEING	PZN1085				
	102	HINGES	PZN1086				
	103	INSERT SLIDER	PZN1087				
	104	KNOB SHAFT	PZN1070				
	105	PIN	PZN1088				
	106	SPRING	PZB1056				
	107					
	108	RETURN LINK ASSY	PZN1072				
NSP	109	CAM GEAR CONTROL ASSY	PZN1073				
NSP	110	PLATTER SHAFT SET ASSY	PZN1074				
	111	CUEING LEVER ASSY	PZN1075				
NSP	112	HEADSHELL				
NSP	113	TONEARM SET				
NSP	114	ROTARY SHAFT ASSY				
NSP	115	PIN				
	116	STYLUS COVER	PZP1002				
	117	STYLUS	PZP1004				
NSP	118	SCREW				
NSP	119	GROUND SHEET				
NSP	120	WIRE				
NSP	121	SCREW				
NSP	122	SPRING				
	123					
NSP	124	SHIELD WIRE (WHITE)				
NSP	125	SHIELD WIRE (RED)				
	126	PLASTIC KNOB	PZN1089				
	127	VARIABLE RESISTOR (VR01, 10k)	PZC1003				
	128					
	129	STEEL PLATE	PZN1090				
NSP	130	SHAFT	PZN1097				
	131					
	132	ACRYLIC PLATE	PZN1092				
	133	MIRROW	PZN1093				
	134	WASHER(PLASTIC)	PZB1057				
	135	SCREW	PZB1058				

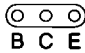
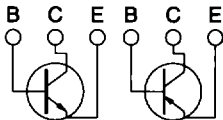
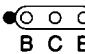
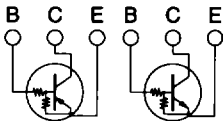
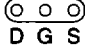
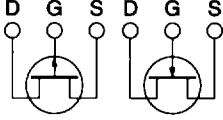

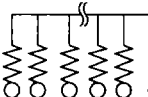
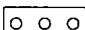
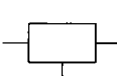
3. SCHEMATIC AND PCB CONNECTION DIAGRAMS

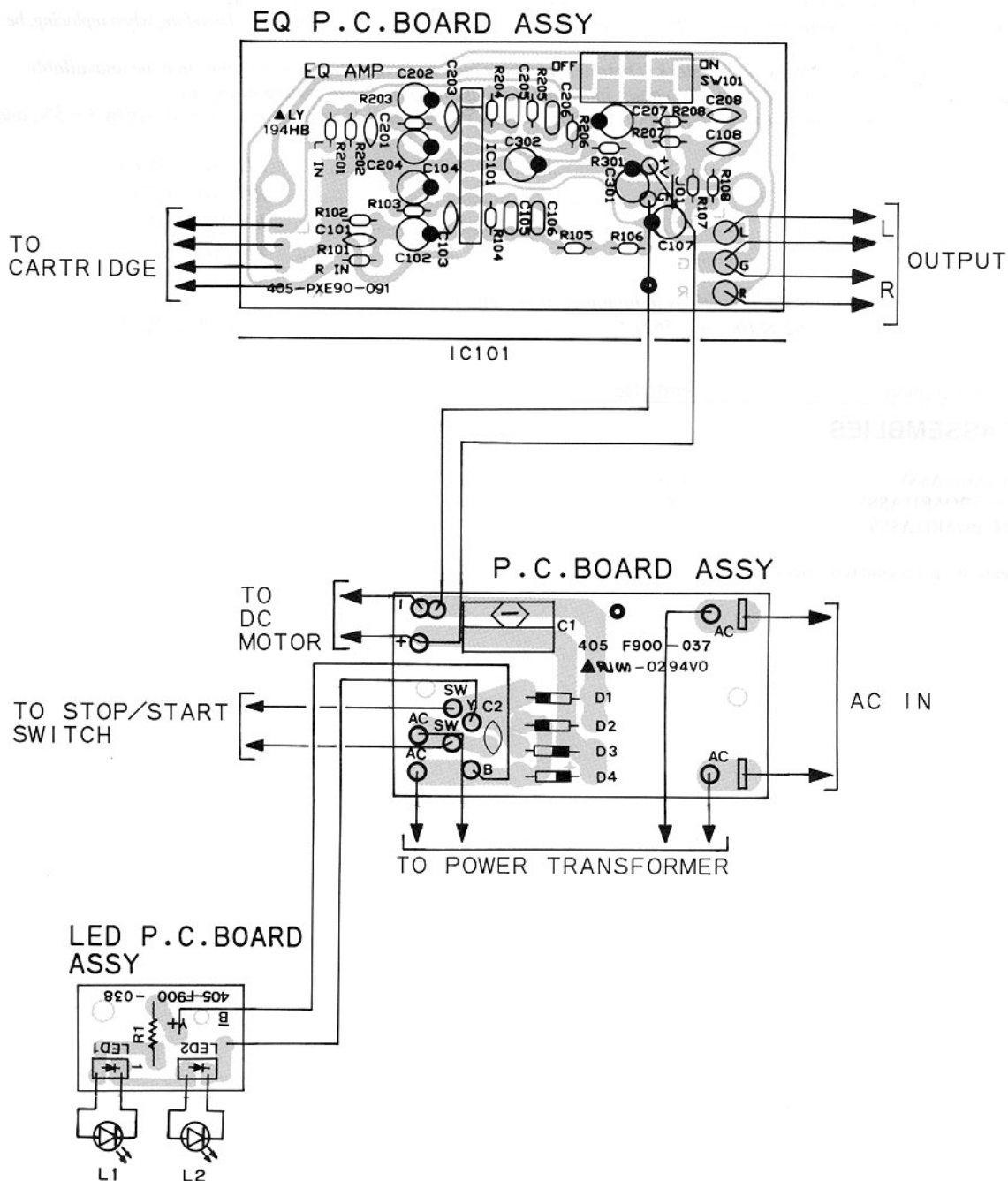
NOTE FOR SCHEMATIC DIAGRAMS (Type 1A)

1. When ordering service parts, be sure to refer to "PARTS LIST of EXPLODED VIEWS" or "PCB PARTS LIST".
2. Since these are basic circuits, some parts of them or the values of some components may be changed for improvement.
3. **RESISTORS:**
Unit: k:kΩ, M:MΩ, or Ω unless otherwise noted.
Rated power: 1/4W, 1/6W, 1/8W, 1/10W unless otherwise noted.
Tolerance: (F): ±1%, (G): ±2%, (K): ±10%, (M): ±20% or ±5% unless otherwise noted.
4. **CAPACITORS:**
Unit: p:pF or μF unless otherwise noted.
Ratings: capacitor (μF)/voltage(V) unless otherwise noted.
Rated voltage: 50V except for electrolytic capacitors.
5. **COILS:**
Unit: m:mH or μH unless otherwise noted.
6. **VOLTAGE AND CURRENT:**
 : Signal voltage at rated output.
 or ← V:
 DC voltage (V) at no input signal unless otherwise noted.
 Value in () is DC voltage at rated power.
 mA or ← mA:
 DC current at no input signal unless otherwise noted.
7. **OTHERS:**
 -  or  : Adjusting point.
 -  : Measurement point.
 - The Δ mark found on some component parts indicates the importance of the safety factor of the parts. Therefore, when replacing, be sure to use parts of identical designation.
8. **SCH-□ ON THE SCHEMATIC DIAGRAM:**
 - SCH-□ indicates the drawing number of the schematic diagram. (SCH stands for schematic diagram.)
9. **SWITCHES** (Underline indicates switch position):
 SW1 : SPEED (33rpm/45rpm)
 SW2 : STOP
 SW3 : START or PLAY
 SW4 : LINE VOLTAGE SELECTOR
 (AC110 - 127V/220 - 240V)

NOTE FOR PCB DIAGRAMS

1. Part numbers in PCB diagrams match those in the schematic diagrams.
2. A comparison between the main parts of PCB and schematic diagrams is shown below.

Symbol in PCB Diagrams	Symbol in Schematic Diagrams	Part Name
		Transistor
		Transistor with resistor
		Field effect transistor
		Resistor array
		3-terminal regulator

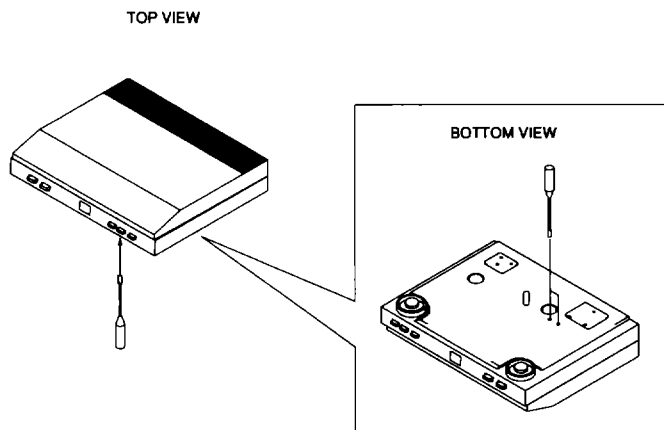


- This diagram is viewed from the mounted parts side.
- The parts mounted on this PCB include all necessary parts for several destinations. For further information for respective destinations, be sure to check with the schematic diagram.

5. ADJUSTMENTS

5.1 SPEED ADJUSTMENT

- (1) Press the Cueing button to the 33-1/3rpm speed.
- (2) Lift the tonearm from its cradle to play the track for 33-1/3rpm of test record.
- (3) Insert your screwdriver into the L hole (33-1/3rpm) of the motor, adjust the VR to get the speed value and W&F value from the jitters meter, the speed value must in the range of 2940 - 3090Hz and the W&F value is 0.2%.
- (4) Lift the tonearm to play the track for 45rpm of the test record.
- (5) Insert your screwdriver into the H hole (45rpm) of the motor, adjust the VR to get the speed value and W&F value, the range of speed value 2900 - 3090Hz and W&F value is 0.2%.
- (6) Reset the speed value and W&F value of 33-1/3rpm again.



5.2 CHANGE THE LINE VOLTAGE SELECTOR (for RDXCN1 type)

The line voltage selector switch is located on the top of the cabinet of this turntable.

