

Service Manual



PLX-500-K

ORDER NO.
RRV4665

TURNTABLE

PLX-500-K

PLX-500-W

THIS MANUAL IS APPLICABLE TO THE FOLLOWING MODEL(S) AND TYPE(S).

Model	Type	Power Requirement	Remarks
PLX-500-K,-W	JXEG	AC 100 V	
PLX-500-K,-W	LPWSYXEG	AC 110 V to 120 V or AC 220 V to 240 V	
PLX-500-K,-W	FWUXEGCB	AC 110 V to 120 V or AC 220 V to 240 V	

This service manual should be used together with the following manual(s).

Model No.	Order No.	Remarks
PLX-500-K, -W	RRV4664	BLOCK DIAGRAM, EXPLODED VIEWS AND PARTS LIST etc.



Pioneer DJ Corporation

6F, Yokohama i-Mark Place, 4-4-5 Minatomirai, Nishi-ku, Yokohama, Kanagawa 220-0012 JAPAN

SAFETY INFORMATION

A



This service manual is intended for qualified service technicians; it is not meant for the casual do-it-yourselfer. Qualified technicians have the necessary test equipment and tools, and have been trained to properly and safely repair complex products such as those covered by this manual.

- Improperly performed repairs can adversely affect the safety and reliability of the product and may void the warranty. If you are not qualified to perform the repair of this product properly and safely, you should not risk trying to do so and refer the repair to a qualified service technician.

B

■

C

■

D

■

E

■

F

CONTENTS

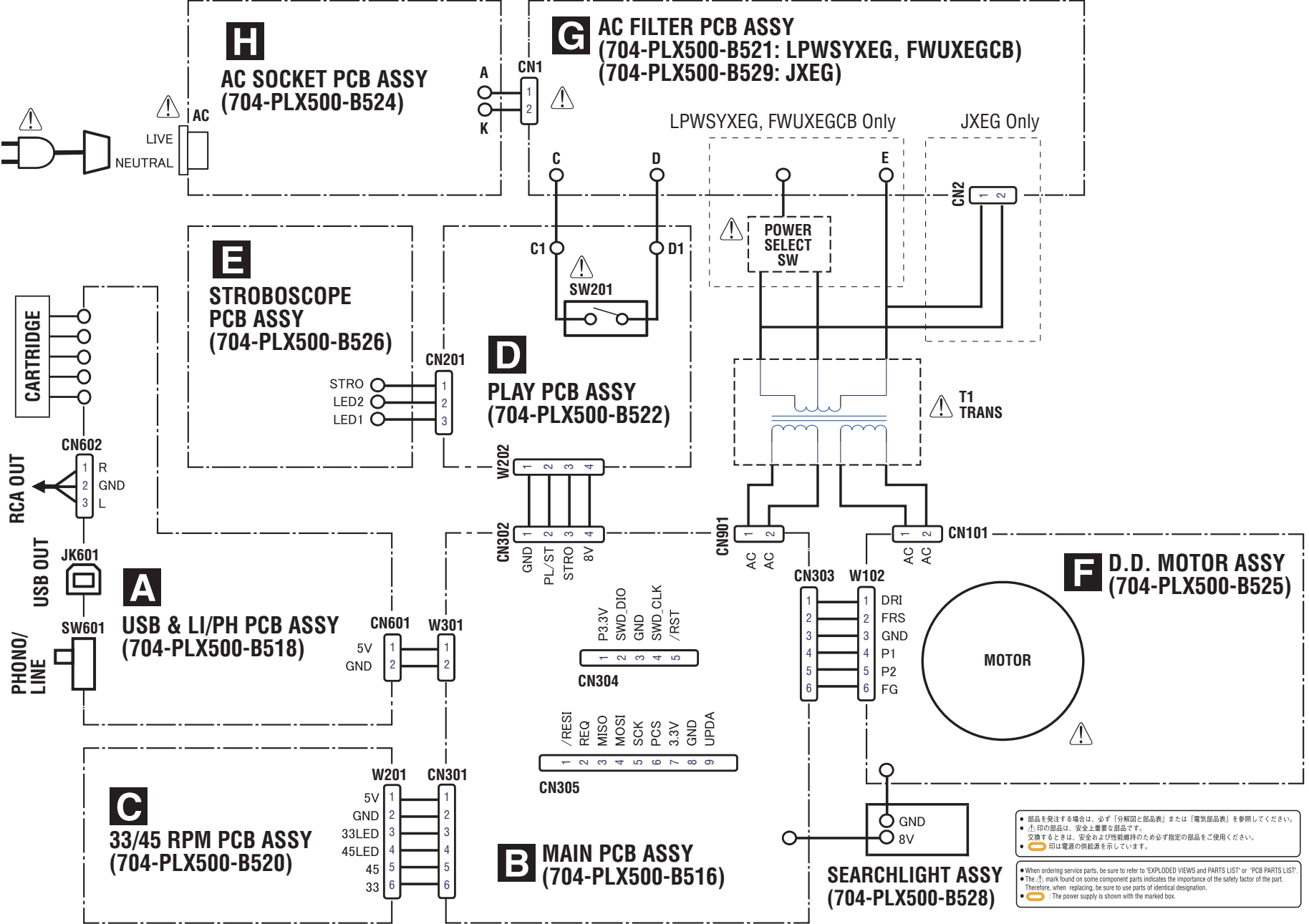
- SAFETY INFORMATION..... 2
- 10. SCHEMATIC DIAGRAM 4
 - 10.1 OVERALL WIRING DIAGRAM 4
 - 10.2 USB & LI/PH PCB ASSY 5
 - 10.3 MAIN PCB, 33/45 RPM PCB, PLAY PCB and STROBOSCOPE PCB ASSYS..... 6
 - 10.4 D.D. MOTOR ASSY 7
 - 10.5 AC SOCKET PCB and AC FILTER PCB ASSYS 8
- 11. PCB CONNECTION DIAGRAM 9
 - 11.1 USB & LI/PH PCB ASSY 9
 - 11.2 MAIN PCB ASSY..... 10
 - 11.3 33/45 RPM PCB, PLAY PCB and STOROBOSCOPE PCB ASSYS 11
 - 11.4 D.D. MOTOR ASSY 12
 - 11.5 AC FILTER PCB and AC SOCKET PCB ASSYS 14
- 12. PCB PARTS LIST 15

A
B
C
D
E
F

10. SCHEMATIC DIAGRAM

10.1 OVERALL WIRING DIAGRAM

10. SCHEMATIC DIAGRAM



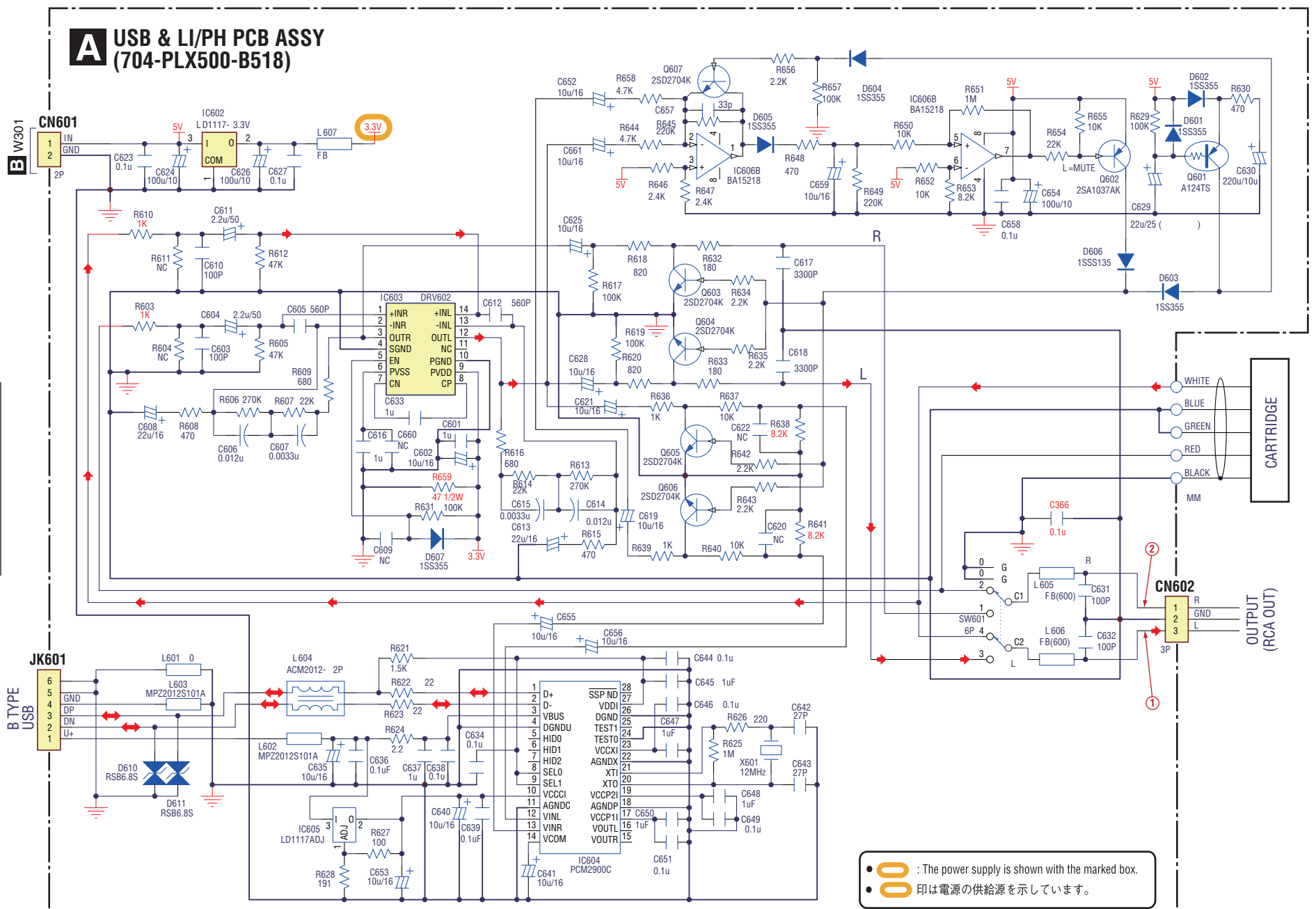
- 部品を発注する場合は、必ず「分解図と部品表」または「電気部品表」を参照してください。
 - 点印の部品は、安全上重要な部品です。
 - 交換するときは、安全および性能維持のため必ず指定の部品をご使用ください。
 - 印は電源の供給源を示しています。
- When ordering service parts, be sure to refer to "EXPLODED VIEWS and PARTS LIST" or "PCB PARTS LIST".
 - The ⚡ mark found on some component parts indicates the importance of the safety factor of the part.
 - Therefore, when replacing, be sure to use parts of identical designation.
 - ⚡ : The power supply is shown with the marked box.

4 1 2 3 4

F E D C B A

1 2 3 4

A USB & LI/PH PCB ASSY
(704-PLX500-B518)



• : The power supply is shown with the marked box.
 • 印は電源の供給源を示しています。

5

6

7

8

5

5

6

7

8

5

PLX-500-K

B TYPE
USB

OUTPUT
(RCA OUT)

CARTRIDGE

B W301

CN601

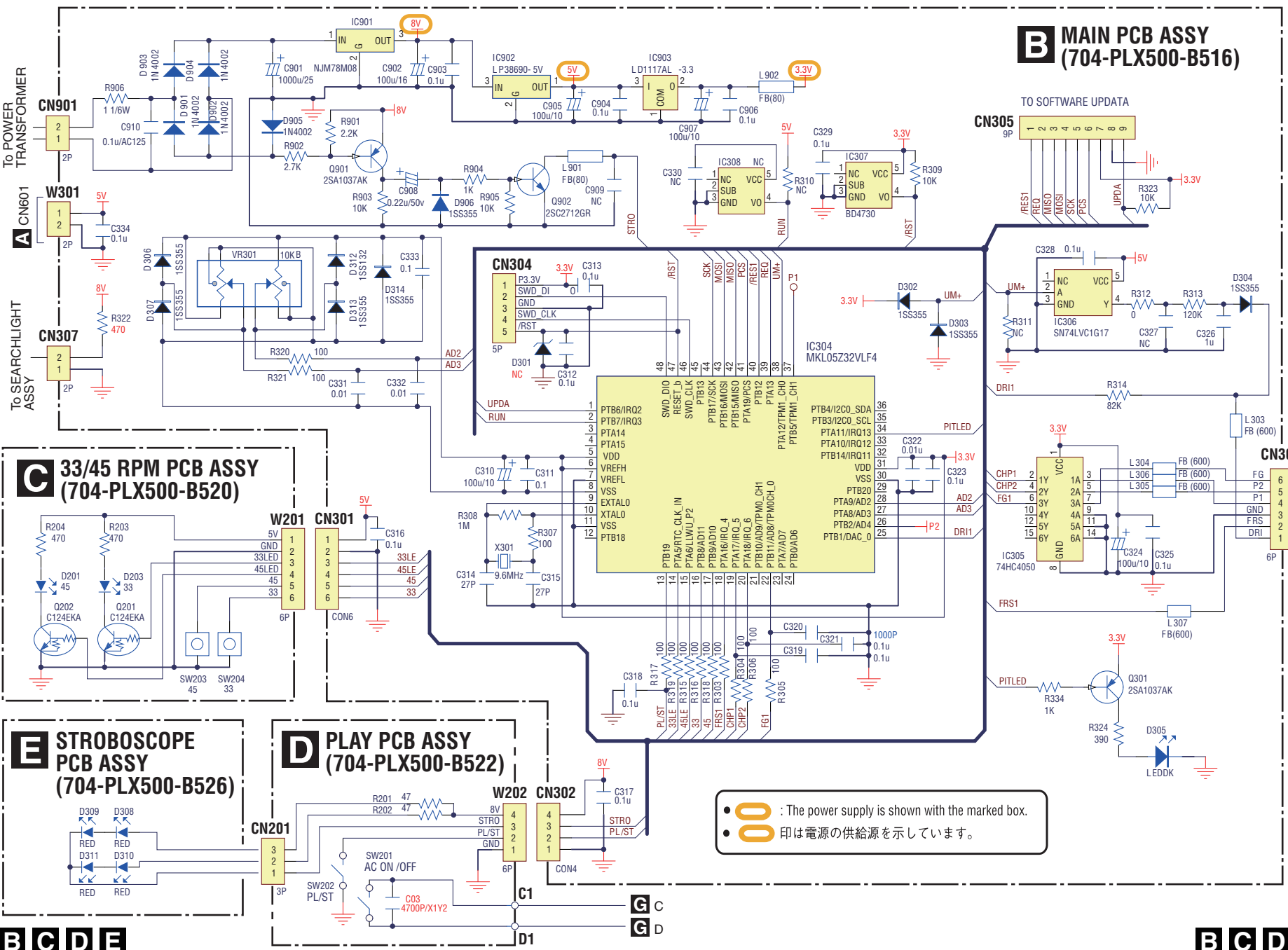
JK601

CN602

A

A

B MAIN PCB ASSY (704-PLX500-B516)



• : The power supply is shown with the marked box.
 • 印は電源の供給源を示しています。

C 33/45 RPM PCB ASSY (704-PLX500-B520)

D PLAY PCB ASSY (704-PLX500-B522)

E STROBOSCOPE PCB ASSY (704-PLX500-B526)

B C D E

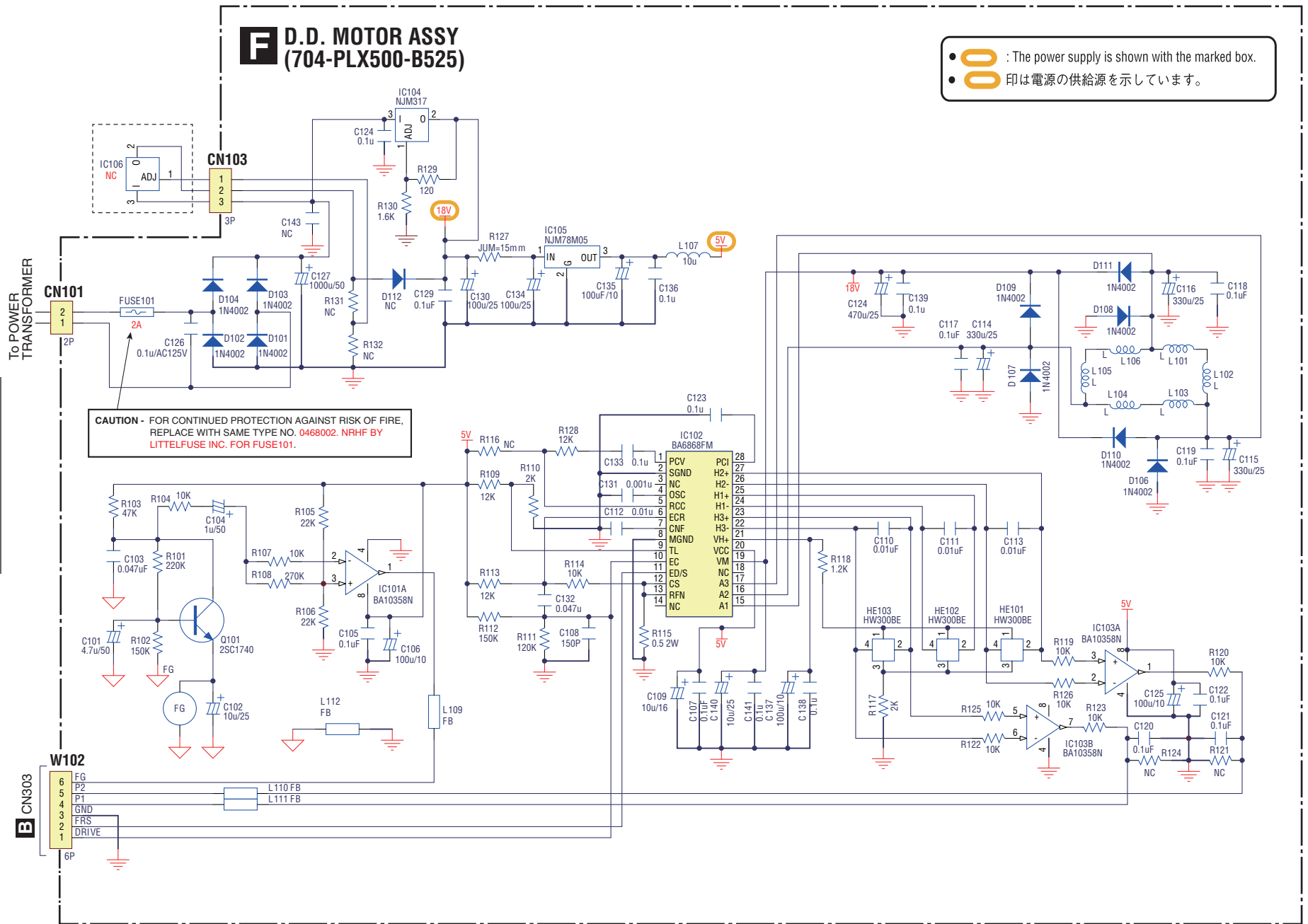
B C D E

6
1
2
3
4

1
2
3
4

F D.D. MOTOR ASSY
(704-PLX500-B525)

00 : The power supply is shown with the marked box.
00 印は電源の供給源を示しています。



CAUTION - FOR CONTINUED PROTECTION AGAINST RISK OF FIRE, REPLACE WITH SAME TYPE NO. 0468002. NRHF BY LITTELFUSE INC. FOR FUSE101.

5

6

7

8

7

5

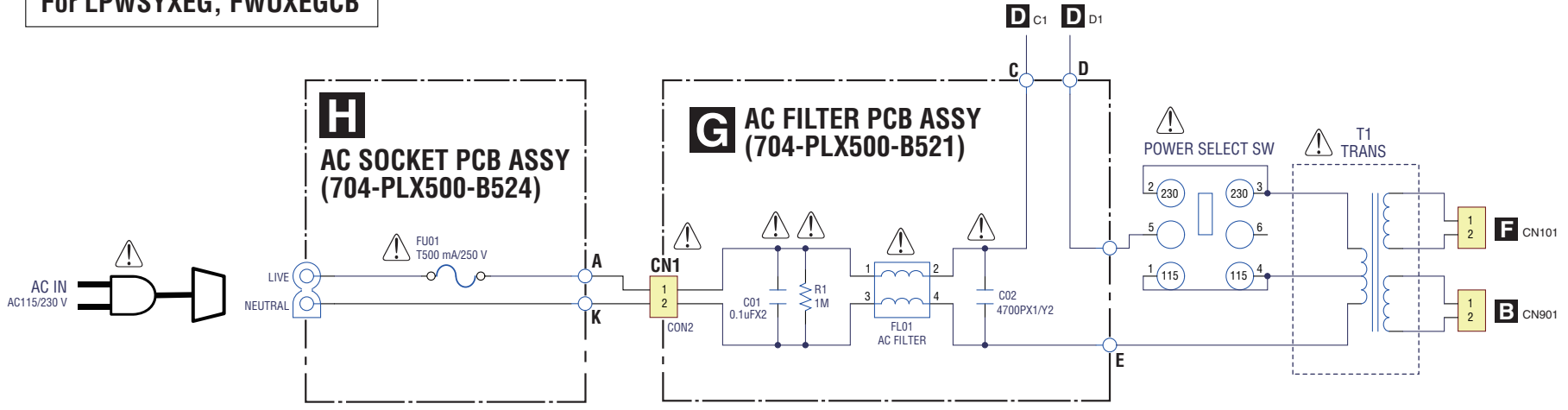
6

7

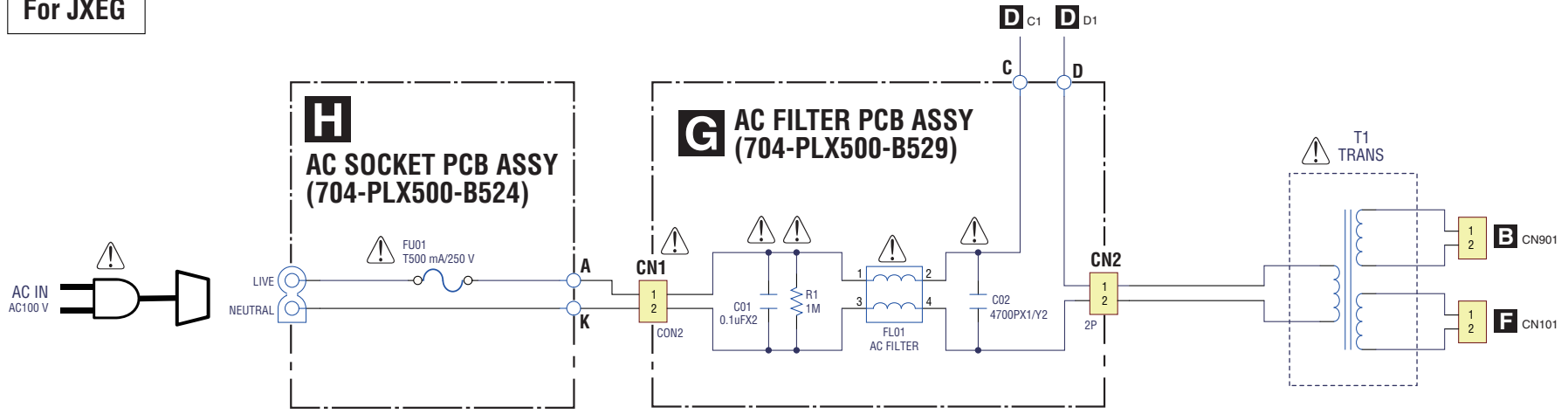
8

7

For LPWSYXEG, FWUXEGCB



For JXEG



● The ⚠ mark found on some component parts indicates the importance of the safety factor of the part. Therefore, when replacing, be sure to use parts of identical designation.
 ● ⚠ 印の部品は、安全上重要な部品です。交換するときは、安全および性能維持のため必ず指定の部品をご使用ください。

G H

G H

PLX-500-K

8
1
2
3
4

11. PCB CONNECTION DIAGRAM

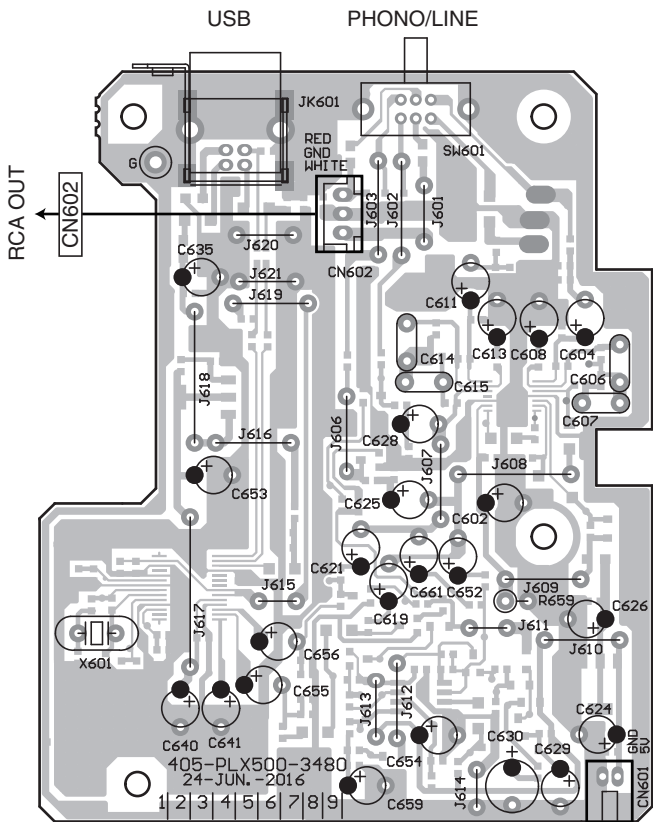
SIDE A

SIDE A

SIDE B

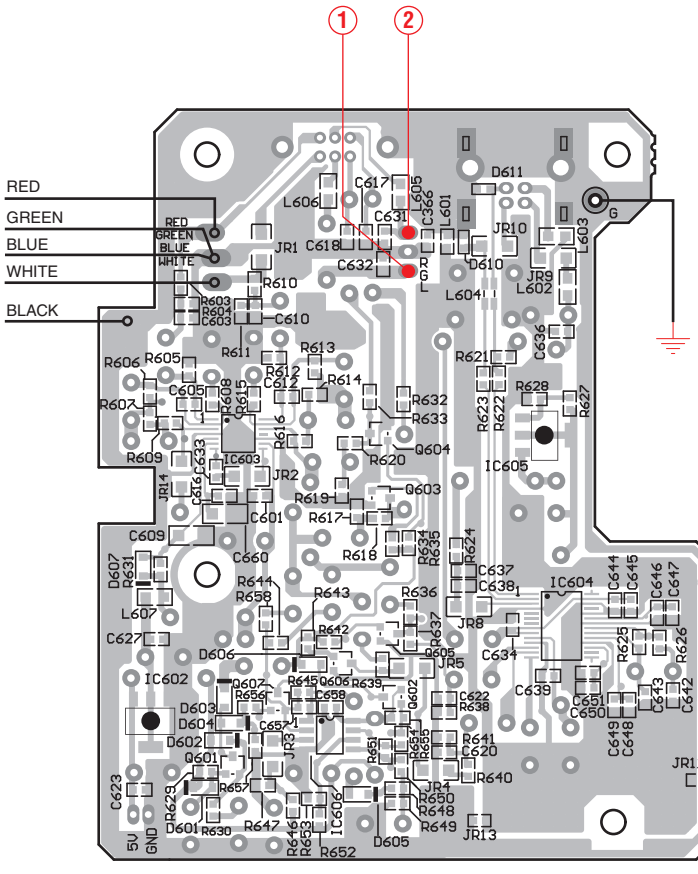
SIDE B

A USB & LI/PH PCB ASSY



B
W301

To CARTRIDGE



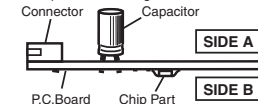
IC603 Q604 IC605
Q603

IC602 Q607 Q605 IC604
Q601 IC606 Q602

NOTE FOR PCB DIAGRAMS :

- 1. The parts mounted on this PCB include all necessary parts for several destinations. For further information for respective destinations, be sure to check with the schematic diagram.

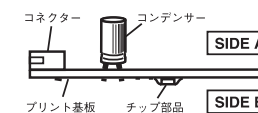
2. View point of PCB diagrams.



PCB 図に対する注意

- 1. この PCB 図にマウントしている部品は複数の仕向地の部品を含んでいます。各仕向地の情報は、回路図で確認するようにしてください。

2. PCB 図の見かた。



11. PCB CONNECTION DIAGRAM

11.1 USB & LI/PH PCB ASSY

11.2 MAIN PCB ASSY

1

2

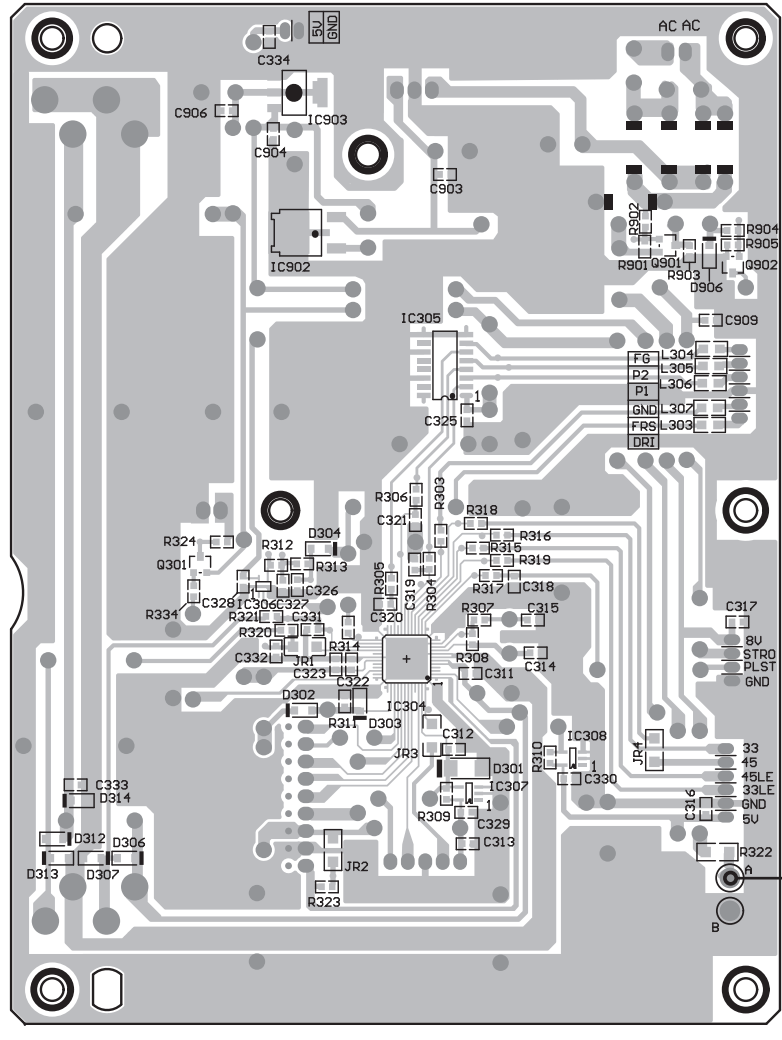
3

4

SEARCHLIGHT
TO ASSY

SIDE B

SIDE B



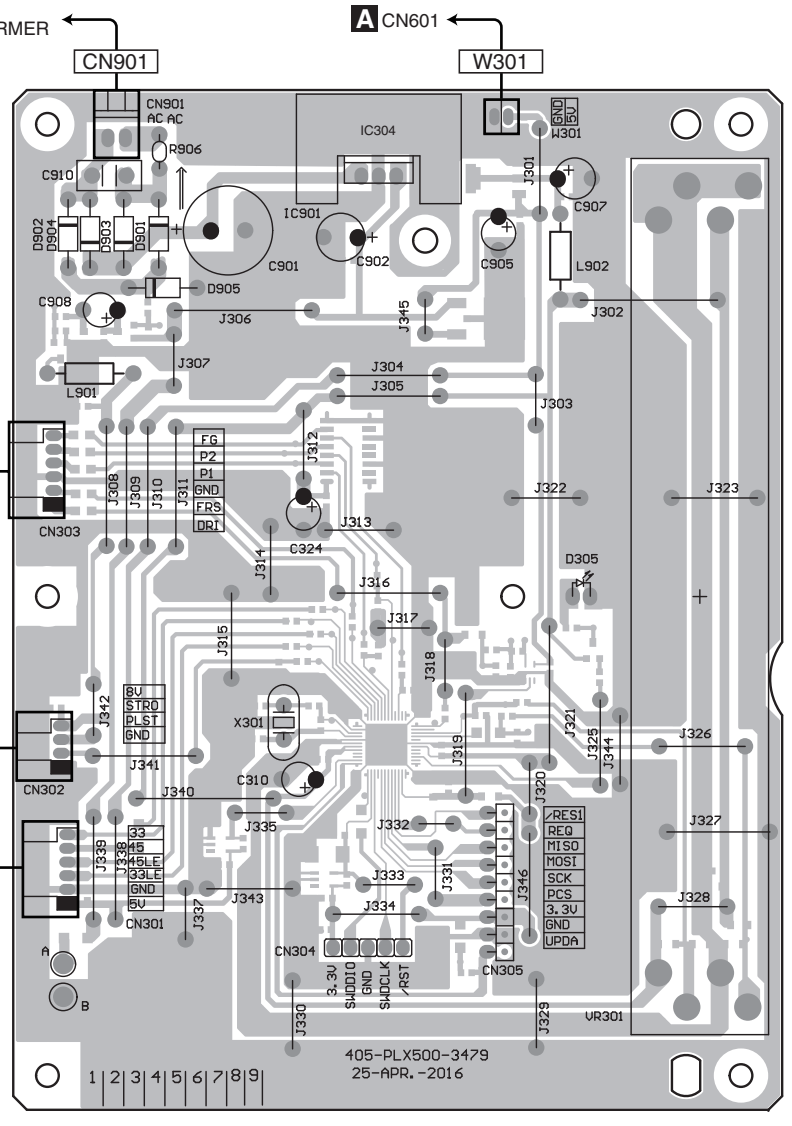
IC903
IC902
IC305
Q901 Q902
Q301 IC306
IC307
IC308

SIDE A

SIDE A

B MAIN PCB ASSY

To POWER TRANSFORMER



IC901

405-PLX500-3479
25-APR.-2016

10

1

2

3

4

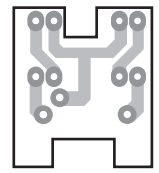
PLX-500-K

B

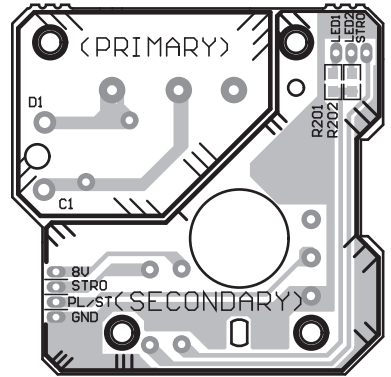
B

SIDE B

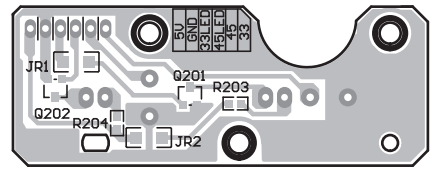
E STROBOSCOPE PCB ASSY



D PLAY PCB ASSY



C 33/45 RPM PCB ASSY



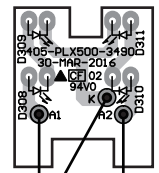
Q202 Q201

C D E

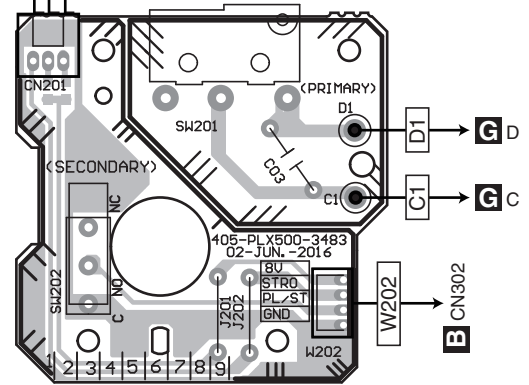
SIDE B

SIDE A

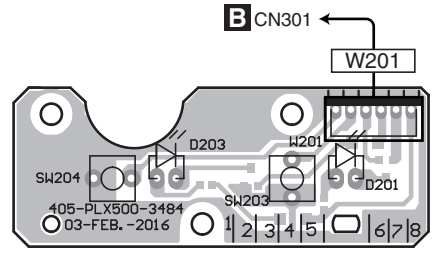
E STROBOSCOPE PCB ASSY



D PLAY PCB ASSY



C 33/45 RPM PCB ASSY



SIDE A

PLX-500-K

C D E

5 6 7 8 11

F

E

D

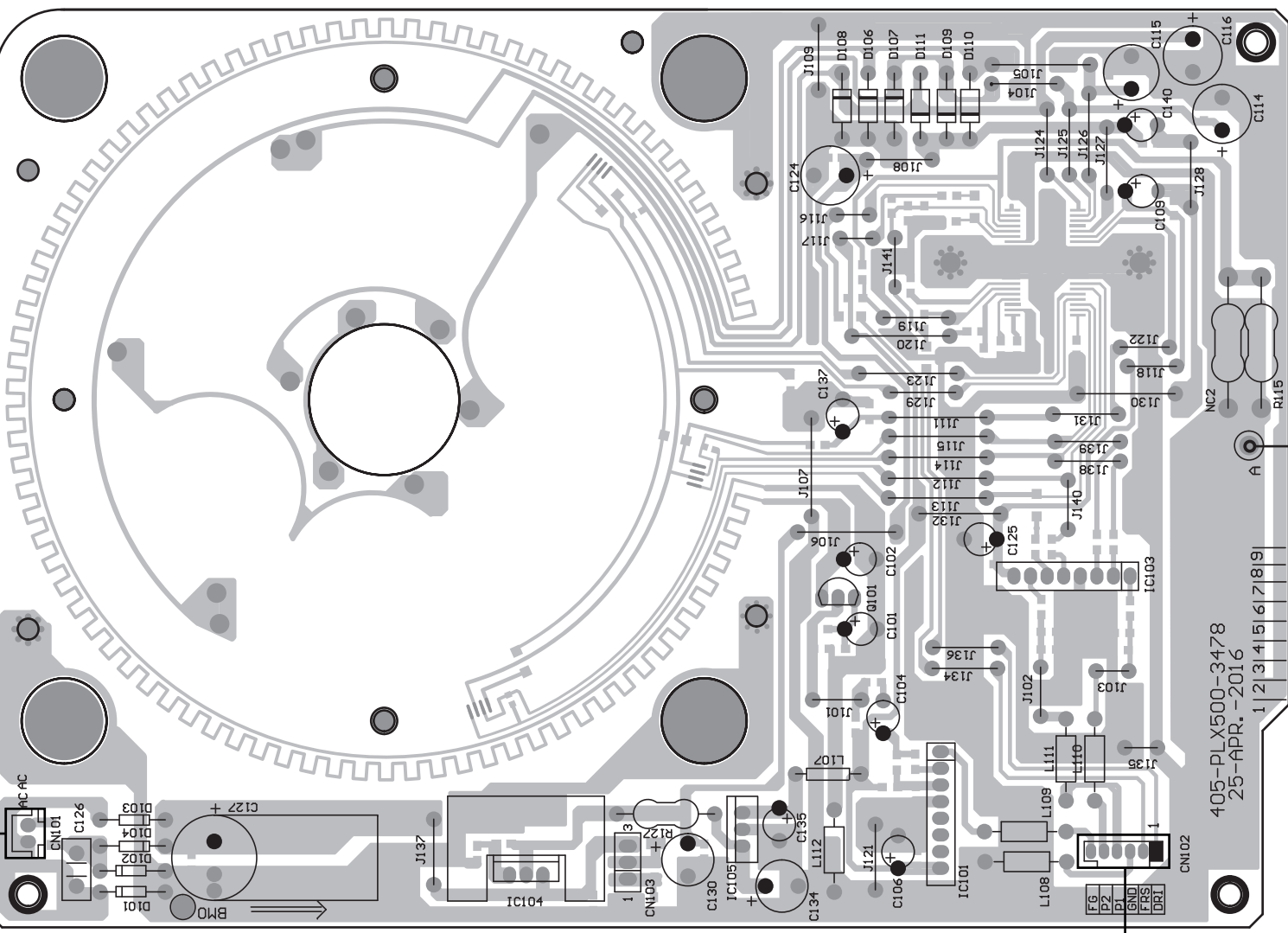
C

B

A

11.4 D.D. MOTOR ASSY

SIDE A



To SEARCHLIGHT ASSY

405-PLX500-3478
25-APR.-2016

F D.D. MOTOR ASSY

SIDE A

12

1

2

3

4

PLX-500-K

To POWER TRANSFORMER

W102

B CN303

F

F

F E D C B A

1

2

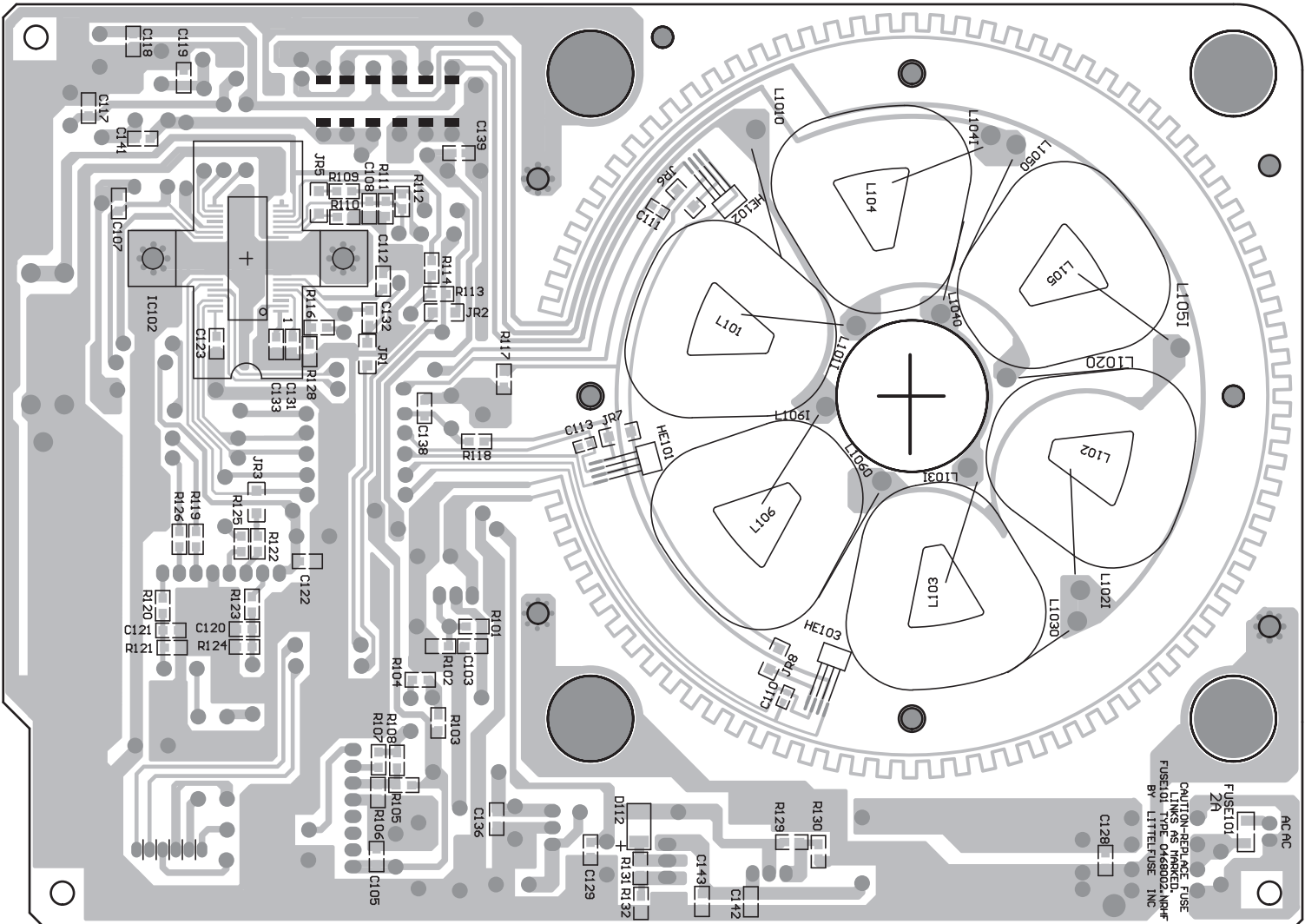
3

4

SIDE B

F D.D. MOTOR ASSY

SIDE B



IC102

A

B

C

D

E

F

5

6

7

8

PLX-500-K

5

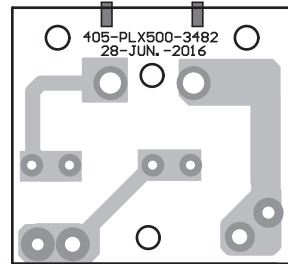
6

7

8

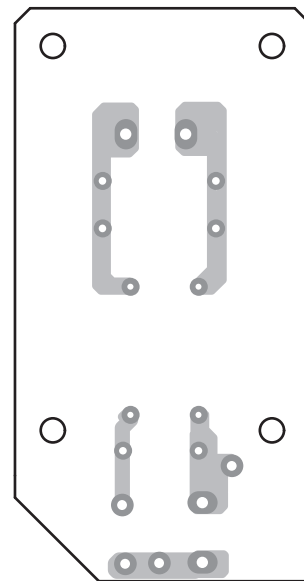
SIDE B

H AC SOCKET PCB ASSY



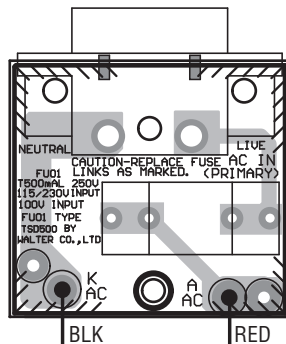
SIDE B

G AC FILTER PCB ASSY

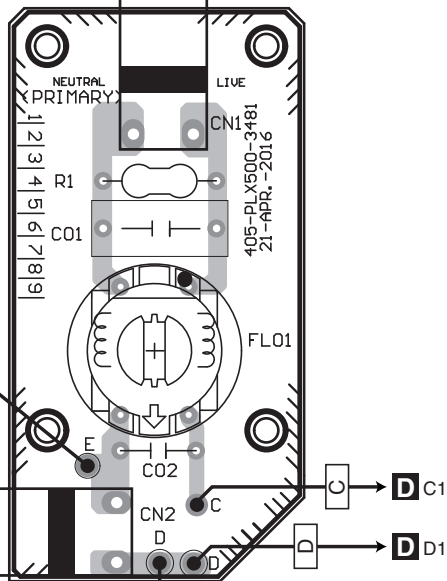


SIDE A

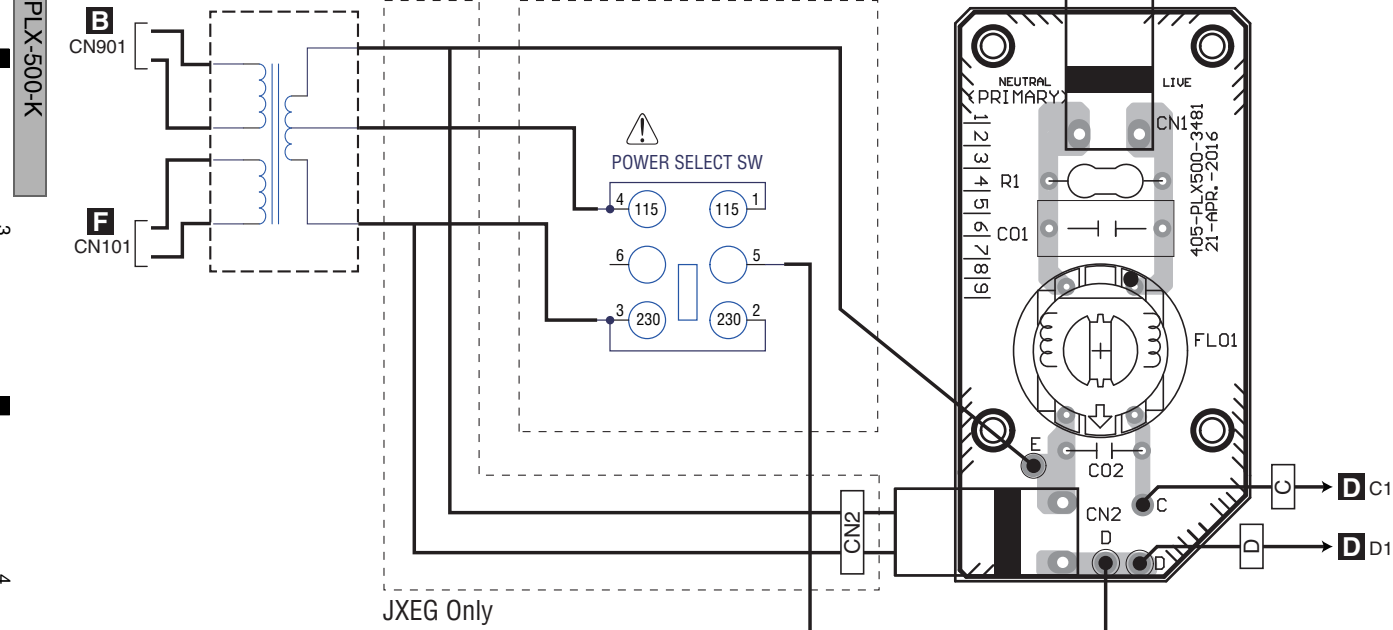
H AC SOCKET PCB ASSY



G AC FILTER PCB ASSY



SIDE A



G H

G H

12. PCB PARTS LIST

NOTES: ● Parts marked by "NSP" are generally unavailable because they are not in our Master Spare Parts List.
 ● The \triangle mark found on some component parts indicates the importance of the safety factor of the part.
 Therefore, when replacing, be sure to use parts of identical designation.

Mark No. Description Part No.

LIST OF ASSEMBLIES (/JXEG)

	1..MAIN PCB ASSY	704-PLX500-B516
	1..USB & LI/PH PCB ASSY	704-PLX500-B518
	1..33/45 RPM PCB ASSY	704-PLX500-B520
NSP	1..AC FILTER & PLAY PCB ASSY	704-PLX500-B530
\triangle	2..AC FILTER PCB ASSY	704-PLX500-B529
\triangle	2..PLAY PCB ASSY	704-PLX500-B522
\triangle	1..AC SOCKET PCB ASSY	704-PLX500-B524
	1..D.D. MOTOR PACKING ASSY	705-PLX500-1652
NSP	2..D.D. MOTOR ASSY	704-PLX500-B525
	1..STROBESCOPE PCB ASSY	704-PLX500-B526

LIST OF ASSEMBLIES (except /JXEG)

	1..MAIN PCB ASSY	704-PLX500-B516
	1..USB & LI/PH PCB ASSY	704-PLX500-B518
	1..33/45 RPM PCB ASSY	704-PLX500-B520
NSP	1..AC FILTER & PLAY PCB ASSY	704-PLX500-B523
\triangle	2..AC FILTER PCB ASSY	704-PLX500-B521
\triangle	2..PLAY PCB ASSY	704-PLX500-B522
\triangle	1..AC SOCKET PCB ASSY	704-PLX500-B524
	1..D.D. MOTOR PACKING ASSY	705-PLX500-1652
NSP	2..D.D. MOTOR ASSY	704-PLX500-B525
	1..STROBESCOPE PCB ASSY	704-PLX500-B526

Mark No. Description Part No.

A USB & LI/PH PCB ASSY

MISCELLANEOUS

JK 601	USB FIXED PLATE	300-COMBO-2070
JK 601	USB JACK	420-007USB-150
SW 601	SLIDE SW	403-QMX1-060-HA

B MAIN PCB ASSY

SEMICONDUCTORS

D 305	LED (YELLOW GREEN)	410-SA12-178V
D 305	LED HOLDER (LED-15, H=15.1 mm)	504-DJ3500-095
D 305	LED HOLDER (LED-6.5A-B, H=6.5 mm, BLACK)	504-HDJ2400-040

RESISTORS

VR 301	SLIDE VR (LED-6.5A-B, H=6.5 mm, BLACK)	418-3565-742
--------	---	--------------

Mark No. Description Part No.

C 33/45 RPM PCB ASSY

SEMICONDUCTORS

D 201, D203	LED (LTL-1CHE, RED)	410-CD6000-122
-------------	---------------------	----------------

MISCELLANEOUS

SW 203, SW204	TACT SW	403-DDJLE-419
---------------	---------	---------------

D PLAY PCB ASSY

MISCELLANEOUS

SW 201	POWER SW	403-PLX-454
SW 202	TACT SW	403-DJ3500-134A

E STROBOSCOPE PCB ASSY

There is no service parts.

F D.D. MOTOR ASSY

MISCELLANEOUS

\triangle FU 101	CHIP FUSE	422-304-068
--------------------	-----------	-------------

G AC FILTER PCB ASSY

There is no service parts.

H AC SOCKET PCB ASSY

MISCELLANEOUS

\triangle FU 01	FUSE CLIPS (FS-001)	420-KT350A-004
\triangle FU 01	FUSE (TSD, 500 mA/250 V 50 F VDE L=20 mm)	422-KT350A-003