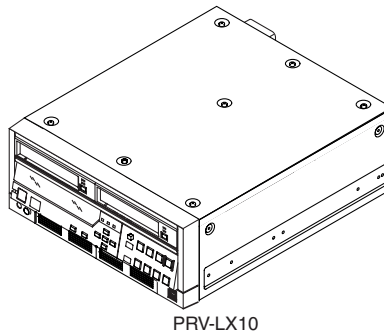


Service Manual



PRV-LX10

ORDER NO.
RRV3069

DVD RECORDER

PRV-LX10

THIS MANUAL IS APPLICABLE TO THE FOLLOWING MODEL(S) AND TYPE(S).

Model	Type	Power Requirement	Remarks
PRV-LX10	WYV/RB	AC220- 240V	

- Before returning the repaired product to the user, be sure to upgrade the firmware to its latest version.



For details, refer to "Important Check Points for good Servicing".

SAFETY INFORMATION



This service manual is intended for qualified service technicians ; it is not meant for the casual do-it-yourselfer. Qualified technicians have the necessary test equipment and tools, and have been trained to properly and safely repair complex products such as those covered by this manual.

Improperly performed repairs can adversely affect the safety and reliability of the product and may void the warranty. If you are not qualified to perform the repair of this product properly and safely, you should not risk trying to do so and refer the repair to a qualified service technician.



WARNING

This product contains lead in solder and certain electrical parts contain chemicals which are known to the state of California to cause cancer, birth defects or other reproductive harm.

Health & Safety Code Section 25249.6 – Proposition 65



NOTICE

(FOR CANADIAN MODEL ONLY)

Fuse symbols  (fast operating fuse) and/or  (slow operating fuse) on PCB indicate that replacement parts must be of identical designation.

REMARQUE

(POUR MODÈLE CANADIEN SEULEMENT)

Les symboles de fusible  (fusible de type rapide) et/ou  (fusible de type lent) sur CCI indiquent que les pièces de remplacement doivent avoir la même désignation.

(FOR USA MODEL ONLY)

1. SAFETY PRECAUTIONS

The following check should be performed for the continued protection of the customer and service technician.

LEAKAGE CURRENT CHECK

Measure leakage current to a known earth ground (water pipe, conduit, etc.) by connecting a leakage current tester such as Simpson Model 229-2 or equivalent between the earth ground and all exposed metal parts of the appliance (input/output terminals, screwheads, metal overlays, control shaft, etc.). Plug the AC line cord of the appliance directly into a 120V AC 60Hz outlet and turn the AC power switch on. Any current measured must not exceed 0.5mA.

ANY MEASUREMENTS NOT WITHIN THE LIMITS OUTLINED ABOVE ARE INDICATIVE OF A POTENTIAL SHOCK HAZARD AND MUST BE CORRECTED BEFORE RETURNING THE APPLIANCE TO THE CUSTOMER.

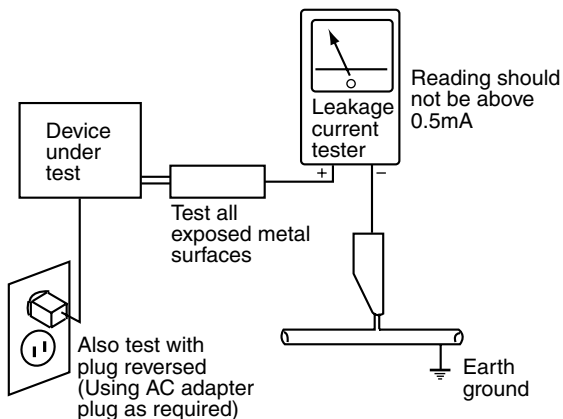
2. PRODUCT SAFETY NOTICE

Many electrical and mechanical parts in the appliance have special safety related characteristics. These are often not evident from visual inspection nor the protection afforded by them necessarily can be obtained by using replacement components rated for voltage, wattage, etc. Replacement parts which have these special safety characteristics are identified in this Service Manual.

Electrical components having such features are identified by marking with a Δ on the schematics and on the parts list in this Service Manual.

The use of a substitute replacement component which does not have the same safety characteristics as the PIONEER recommended replacement one, shown in the parts list in this Service Manual, may create shock, fire, or other hazards.

Product Safety is continuously under review and new instructions are issued from time to time. For the latest information, always consult the current PIONEER Service Manual. A subscription to, or additional copies of, PIONEER Service Manual may be obtained at a nominal charge from PIONEER.



AC Leakage Test

IMPORTANT

THIS PIONEER APPARATUS CONTAINS INVISIBLE LASER OF CLASS 3b and VISIBLE LASER OF CLASS 2. SERVICING OPERATION OF THE APPARATUS SHOULD BE DONE BY A SPECIALLY INSTRUCTED PERSON.

LASER DIODE CHARACTERISTICS

MAXIMUM OUTPUT POWER: 25 mW
WAVELENGTH: 654 - 662 nm

LASER DIODE CHARACTERISTICS

MAXIMUM OUTPUT POWER: 36 mW
WAVELENGTH: 780 - 787 nm

LABEL CHECK

DRIVE Assy LX1

DANGER

VISIBLE AND INVISIBLE LASER RADIATION WHEN OPEN. AVOID DIRECT EXPOSURE TO BEAM.

DANGER

PRÉSENCE DE RAYONNEMENT LASER VISIBLE ET INVISIBLE APRES OUVERTURE. ÉVITEZ TOUTE EXPOSITION DIRECTE AU RAYON LASER.

DRW2069

(DRW2069)

Note: You will see one of the following two labels attached.

DANGER VISIBLE AND INVISIBLE LASER RADIATION WHEN OPEN. AVOID DIRECT EXPOSURE TO BEAM.

DANGER PRÉSENCE DE RAYONNEMENT LASER VISIBLE ET INVISIBLE APRES OUVERTURE. ÉVITEZ TOUTE EXPOSITION DIRECTE AU RAYON LASER.

FARE SYNLIS OG USYNLIS LASERSTRÅLING, HVIS ÅBEN. UNDRÅ DIREKTE EKSPONERING FOR STRÅLEN.

VAROITUS NÄKYVÄ JA NÄKYMÄTÖN LASERSAVUUN KUN AINA AVOIN. VÄLITÄ SUORAAN KOSKETUSTA SAATEEN.

PARAT SYNLIS OCH USYNLIS LASERSTRÅLNING NÄR APPARATEN ÄR ÖPPEN. UNDVIK ATT UTSÄTTA ÖG FÖR DIREKT STRÅLNING.

GEFAHR SICHTBARE UND UNSICHTBARE LASERSTRAHLUNG WENN ÖFFEN. SETZEN SIE SICH NICHT DEM LASERSTRAHL AUS.

DRW2108-A

CLASS 1 LASER PRODUCT
LASER KLASSE 1

THIS DEVICE COMPLIES WITH PART 15 OF THE FCC RULES. OPERATION IS SUBJECT TO THE FOLLOWING TWO CONDITIONS: (1) THIS DEVICE MAY NOT CAUSE HARMFUL INTERFERENCE, AND (2) THIS DEVICE MUST ACCEPT ANY INTERFERENCE RECEIVED, INCLUDING INTERFERENCE THAT MAY CAUSE UNDESIRABLE OPERATION.

THIS CLASS B DIGITAL APPARATUS COMPLIES WITH CANADIAN ICES-003. CET APPAREIL NUMÉRIQUE DE LA CLASSE B EST CONFORME À LA NORME NMB-003 DU CANADA.

CERTIFICATION-THIS PRODUCT COMPLIES WITH DHS RULES 21 CFR, SUBCHAPTER J, PART 1040 AT DATE OF MANUFACTURE.

(DRW2109)

CAUTION CLASS 3B VISIBLE AND INVISIBLE LASER RADIATION WHEN OPEN. AVOID EXPOSURE TO THE BEAM.

ATTENTION RADIATIONS LASER VISIBLES ET INVISIBLES DE CLASSE 3B QUAND OUVERT. ÉVITEZ TOUTE EXPOSITION AU FAISCEAU.

ADVARSEL KLASSE 3B SYNLIS OG USYNLIS LASERSTRÅLING VED ÅBNING. UNDRÅ UDSÆTTELSE FOR STRÅLING.

VARO! AVARITASSA OLET ALLTIMA NÄKYVÄLLÄ JA NÄKYMÄTTÖMÄLLÄ LUOKAN 3B LASERSAVUOLLE.

ALÄ KÄTÖÄ SÄTESEEN.

WARNING KLASSE 3B SYNLIS OCH USYNLIS LASERSTRÅLNING NÄR DENNA DEL ÄR ÖPPNAD. UNDVIK ATT UTSÄTTA ÖG FÖR STRÅLEN.

VORSICHT BE GEÖFFNETER ABDECKUNG IST SICHTBARE UND UNSICHTBARE LASERSTRAHLUNG DER KLASSE 3B IM GERÄTEINNEREN VORHANDEN. AUGEN NICHT DEM LASERSTRAHL AUSSETZEN!

DRW2185-A

CLASS 1 LASER PRODUCT
LASER KLASSE 1

THIS DEVICE COMPLIES WITH PART 15 OF THE FCC RULES. OPERATION IS SUBJECT TO THE FOLLOWING TWO CONDITIONS: (1) THIS DEVICE MAY NOT CAUSE HARMFUL INTERFERENCE, AND (2) THIS DEVICE MUST ACCEPT ANY INTERFERENCE RECEIVED, INCLUDING INTERFERENCE THAT MAY CAUSE UNDESIRABLE OPERATION.

THIS CLASS B DIGITAL APPARATUS COMPLIES WITH CANADIAN ICES-003. CET APPAREIL NUMÉRIQUE DE LA CLASSE B EST CONFORME À LA NORME NMB-003 DU CANADA.

CERTIFICATION-THIS PRODUCT COMPLIES WITH 21 CFR 1040.10 AND 1040.11 EXCEPT FOR DEVIATIONS PURSUANT TO LASER NOTICE NO. 50, DATED JULY 26, 2001.

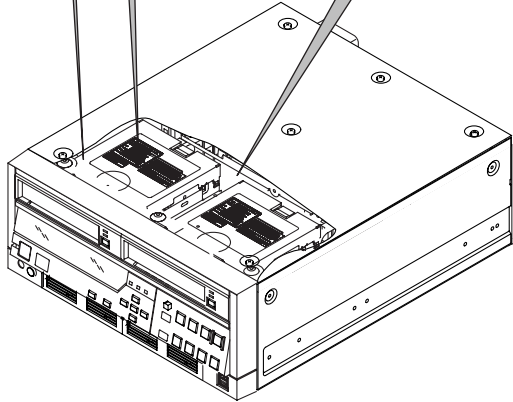
(DRW2185)

CAUTION:

RISK OF EXPLOSION IF BATTERY IS REPLACED BY AN INCORRECT TYPE. DISPOSE OF USED BATTERIES ACCORDING TO THE INSTRUCTIONS.

DRW2162-A

(DRW2162)



CAUTION

Danger of explosion if battery is incorrectly replaced. Replace only with the same or equivalent type recommended by the manufacturer. Discard used batteries according to the manufacturer's instructions.

When replacing the lithium batteries, follow the note below. Dispose of the used battery promptly. Keep away from children. Do not disassemble and do not dispose of in fire. The battery used in this device may present a fire or chemical hazard if mistreated. Do not recharge, disassemble, heat above 100°C or incinerate. Replace only with the same Part Number. Use of another battery may present a risk of fire or explosion.

Note : The lithium battery installation position is shown in the exploded views.

[Important Check Points for Good Servicing]

In this manual, procedures that must be performed during repairs are marked with the below symbol. Please be sure to confirm and follow these procedures.

1. Product safety



Please conform to product regulations (such as safety and radiation regulations), and maintain a safe servicing environment by following the safety instructions described in this manual.

- ① Use specified parts for repair.

Use genuine parts. Be sure to use important parts for safety.

- ② Do not perform modifications without proper instructions.

Please follow the specified safety methods when modification (addition/change of parts) is required due to interferences such as radio/TV interference and foreign noise.

- ③ Make sure the soldering of repaired locations is properly performed.

When you solder while repairing, please be sure that there are no cold solder and other debris. Soldering should be finished with the proper quantity. (Refer to the example)

- ④ Make sure the screws are tightly fastened.

Please be sure that all screws are fastened, and that there are no loose screws.

- ⑤ Make sure each connectors are correctly inserted.

Please be sure that all connectors are inserted, and that there are no imperfect insertion.

- ⑥ Make sure the wiring cables are set to their original state.

Please replace the wiring and cables to the original state after repairs. In addition, be sure that there are no pinched wires, etc.

- ⑦ Make sure screws and soldering scraps do not remain inside the product.

Please check that neither solder debris nor screws remain inside the product.

- ⑧ There should be no semi-broken wires, scratches, melting, etc. on the coating of the power cord.

Damaged power cords may lead to fire accidents, so please be sure that there are no damages. If you find a damaged power cord, please exchange it with a suitable one.

- ⑨ There should be no spark traces or similar marks on the power plug.

When spark traces or similar marks are found on the power supply plug, please check the connection and advise on secure connections and suitable usage. Please exchange the power cord if necessary.

- ⑩ Safe environment should be secured during servicing.

When you perform repairs, please pay attention to static electricity, furniture, household articles, etc. in order to prevent injuries. Please pay attention to your surroundings and repair safely.

2. Adjustments



To keep the original performance of the products, optimum adjustments and confirmation of characteristics within specification. Adjustments should be performed in accordance with the procedures/instructions described in this manual.

3. Lubricants, Glues, and Replacement parts



Use grease and adhesives that are equal to the specified substance. Make sure the proper amount is applied.

4. Cleaning





For parts that require cleaning, such as optical pickups, tape deck heads, lenses and mirrors used in projection monitors, proper cleaning should be performed to restore their performances.

5. Shipping mode and Shipping screws



To protect products from damages or failures during transit, the shipping mode should be set or the shipping screws should be installed before shipment. Please be sure to follow this method especially if it is specified in this manual.

• Recordable discs

Logo	Attributes
 DVD-RW	12cm, single-sided, single layer disc Approx. max. recording time: 360 minutes (4.7GB)
 DVD-R	12cm, double-sided, single layer disc Approx. max. recording time: 720 minutes (9.4GB)

* This unit does not support use of 8 cm DVD-R discs.

• CD-R/CD-RW discs cannot be recorded on this unit.

• Playback only discs



CONTENTS

1. SPECIFICATIONS	7
1.1 SPECIFICATIONS CHECKS	7
1.2 FUNCTION MENU.....	9
1.3 SPECIFICATIONS	12
2. EXPLODED VIEWS AND PARTS LIST	14
2.1 PACKING	14
2.2 EXTERIOR SECTION (1/3).....	16
2.3 EXTERIOR SECTION (2/3).....	18
2.4 EXTERIOR SECTION (3/3).....	20
2.5 REAR PANEL SECTION	22
2.6 FRONT PANEL SECTION	24
3. BLOCK DIAGRAM AND SCHEMATIC DIAGRAM	26
3.1 BLOCK DIAGRAM.....	26
3.1.1 OVERALL BLOCK DIAGRAM	26
3.1.2 I/O BLOCK.....	28
3.1.3 DECB ASSY	29
3.1.4 PCIB ASSY.....	30
3.1.5 AVIB ASSY	31
3.1.6 PWRB, FLKB, KEYB, DRV1B, DRV2B and USBB ASSYS	33
3.1.7 PWRB ASSY	34
3.1.8 WAVEFORMS	35
3.2 OVERALL WIRING DIAGRAM.....	40
3.3 JKIB ASSY (1/3)	42
3.4 JKIB ASSY (2/3)	44
3.5 JKIB ASSY (3/3)	46
3.6 JKDB and 422IB ASSYS.....	48
3.7 HPVVB and JKOB ASSYS	50
3.8 DECB ASSY (1/2).....	52
3.9 DECB ASSY (2/2).....	54
3.10 PCIB ASSY (1/4)	56
3.11 PCIB ASSY (2/4)	58
3.12 PCIB ASSY (3/4)	60
3.13 PCIB ASSY (4/4).....	62
3.14 AVIB ASSY (1/6).....	64
3.15 AVIB ASSY (2/6).....	66
3.16 AVIB ASSY (3/6).....	68
3.17 AVIB ASSY (4/6).....	70
3.18 AVIB ASSY (5/6).....	72
3.19 AVIB ASSY (6/6).....	74
3.20 PWRB(POLY) ASSY	76
3.21 FLKB(WYV/RB) ASSY	78
3.22 KEYB(WYV/RB) ASSY.....	80

- 3.23 DRV1B and DRV2B ASSYS 82
- 3.24 USBB ASSY 84
- 4. PCB CONNECTION DIAGRAM 85
 - 4.1 JKIB, JKDB, 422IB and HPVVB ASSYS..... 86
 - 4.2 DECB ASSY 90
 - 4.3 PCIB ASSY 92
 - 4.4 AVIB ASSY 94
 - 4.5 PWRB ASSY 98
 - 4.6 FLKB, KEYB, DRV1B, DRV2B and USBB ASSYS 100
 - 4.7 JKOB ASSY 104
 - 4.8 MOTHER BOARD ASSY 105
- 5. PCB PARTS LIST 108
- 6. ADJUSTMENT 116
 - 6.1 27MHz CLOCK ADJUSTMENT 116
- 7. GENERAL INFORMATION 117
 - 7.1 DIAGNOSIS..... 117
 - 7.1.1 TESTMODE 117
 - 7.1.2 TEST MODE CODE 120
 - 7.1.3 LED SPECIFICATIONS 122
 - 7.1.4 POWER-ON SEQUENCE 127
 - 7.1.5 HOW TO CHECK THE ERROR LOG 130
 - 7.1.6 ERROR LOG DISPLAY 135
 - 7.1.7 DEBUGGING DISPLAY MODE 139
 - 7.1.8 LIST OF BIOS SETTING VALUE 143
 - 7.1.9 REWRITING OF THE GUIDS 145
 - 7.1.10 CAUTIONS ON HANDLING THE HDD 146
 - 7.1.11 HDD REPLACEMENT PROCEDURES 148
 - 7.1.12 HOW TO CHECK THE HDD 149
 - 7.1.13 CLEANING 149
 - 7.1.14 HOW TO INSTALL THE OS OR PROGRAM 150
 - 7.1.15 TROUBLE SHOOTING 152
 - 7.1.16 DISASSEMBLY 158
 - 7.2 IC INFORMATION 170
- 8. PANEL FACILITIES 190

1. SPECIFICATIONS

1.1 SPECIFICATIONS CHECKS

■ Test Specifications

- Conditions and connections for the test
- Conditions for the test

Power voltage: PRV-LX10/WYV/RB: 220- 240V±10% AC, 50/60 Hz

Power consumption: PRV-LX10/WYV/RB: 1A max. when all optional accessories are mounted

Ambient temperature: 5-35°C, relative humidity: 85% or less

Note: Because the HDD is mounted on the unit, be sure not to impart shock or vibration to the unit while it is operating.

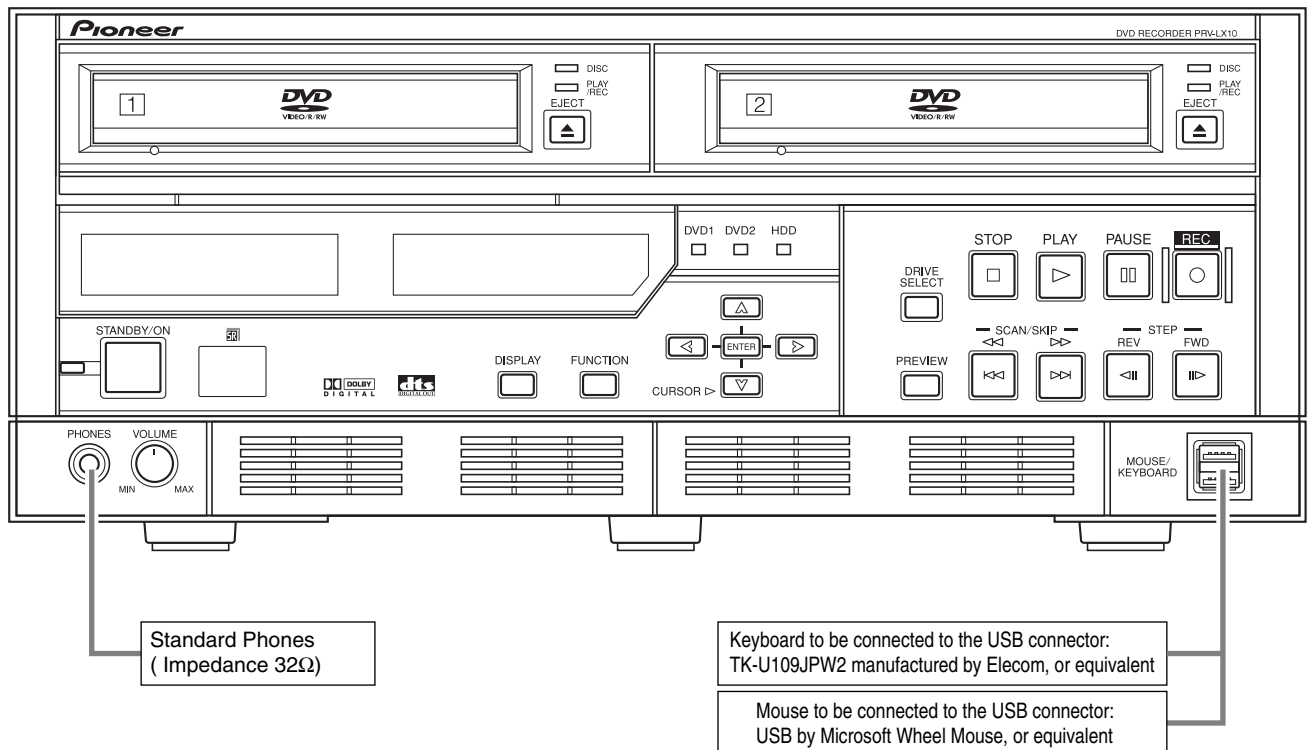
• Recommended media

For the test of the unit, use the following recommended media:

DVD-R: (GGV1139)

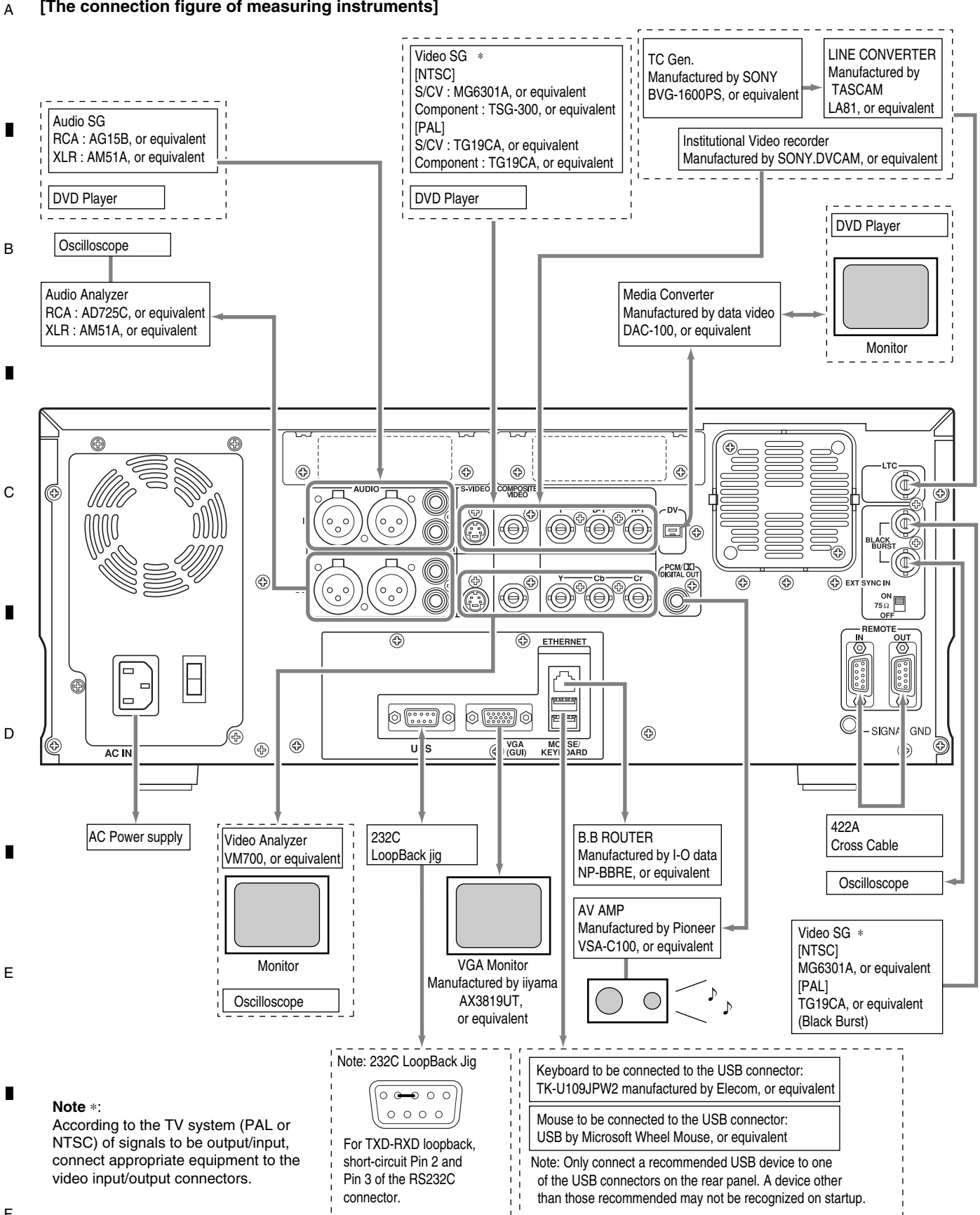
DVD-RW: (GGV1050)

- Conditions diagram
- Front panel section



• Rear Panel section

A [The connection figure of measuring instruments]



1.2 FUNCTION MENU

Function Menu Prestore (reference)

		Menu item		Setting
EDIT	DVD Menu	Menu Setting	Menu Edit To	hyymmdd_xx
			Menu TV System	PAL
		Menu Type / Font	Menu Type	Title Menu
			Font	Helvetica
		Menu Design	Design Select	Type A
			Thumbnail	Go to Video
			Button Text	Number
		Menu Modification	Background	Default
			Image	Default
			Disc Name	(Blank)
			Select Color	Default
		Navigation Cmd	Active Color	Default
			Introduction Clip	Disabled
			First Play PGC	Stop
		Del/Init Library	Title Post Cmd	Stop
			Type	Background
			Design Select	BG2.bmp
		Project	Record Name	Name
	Protect			Disabled
	Record To			HDD
	Num of Clips			0
	Num of Titles			0
	Last Modified Date			yyyy.mm.dd hh:mm:ss
	Total Capacity			0 MB
Copy Project	Copy To		cx_hyymmdd_xx	
Copy Clip	Source Drive		HDD	
	Copy From		No Item	
Delete	Clip	No Item		
DVD Disc	Delete	Delete	No Item	
	Make Disc	Target	DVD 1	
	Image	Target Image	hyymmdd_xx.img	
APP	Auto Capture	IN/OUT Point	Preroll Time	5 Seconds
			Offsest(Frame)	-17 Frames
			Record As	Title(Stop)
			IN/OUT Point	00:00:00:00
		Chapter Point	Chapter Point	00:00:00:00
		EDL Command	Command	Finalize
		EDL	No Item	(Blank)
		EDL Load/Delete	Load	No Item
			Delete	No Item
		EDL Save	Save To	edl000.edl
	Copy/Impt/Bku	Disc Image Copy	Source	DVD 1
			Input Image Name	disc00000.img
		Image Copy/Del	Source Image	No Item
			Destination	DVD 1
		Menu Import	Type	Background
			Source	Import Directory
		EDL Import	Source File	No Item
			Source	Import Directory
		Source File	No Item	

A

Menu item			Setting	
SET UP	System	System Settings	Keyboard	English(GB)
			Key Repeat Speed	Medium
			Mouse	Generic
			Mouse Speed	Medium
			Time Zone	London
			Date(mm/dd/yyyy)	mm/dd/yyyy
			Time(hh:mm:ss)	hh:mm:ss
		F-Key Set 1 - 6	F-Key Enable	F-Key Only
			F1	Not Set
			F2	Not Set
			F3	Not Set
			F4	Not Set
			F5	Not Set
		F-Key Set 7 - 12	F6	Not Set
			F7	Not Set
			F8	Not Set
			F9	Not Set
			F10	Not Set
		Network	F11	Not Set
			F12	Not Set
			Network	OFF
	UPS Setting	DHCP/Manual	DHCP	
		MAC Address	---,---,---,---	
	Information	Model	Disabled	
		Shutdown Delay	30 seconds	
		System Version	x.xx-x/x.xx	
		Power-On Time	xxxx(h)	
		HDD Access	xxxx(h)	
		Drive 1(R/W)	xxxx(h)/xxxx(h)	
	HDD Tools	Drive 2(R/W)	xxxx(h)/xxxx(h)	
		Service Info	x	
	Operation	Control Settings	Target Drive	HDD
			Remaining Capacity	100.87(GB)
		Video Settings	Control	Local
			Port	RS-422A
			Time Code	RS-422A
			Eject Setting	Eject
			External Sync	Disabled
			OSD	Enabled
			Composite Out	Source Monitor
			Background Color	Black
		DV OUT	Disabled	
HDD Recording		Test Signal	Start	
		Time Shift PLAY	Enabled	
Info Language		Language	English(GB)	

B

C

D

E

F

Menu item			Setting	
SETUP	Recording	Video/Audio	Video Encode Rate	9.644Mbps
			Video Filter(NR)	OFF
			Audio Encode	Dolby Digital
			Audio Level	L : +0 / R : +0
			Aspect	4:3
			Setup Level	(Blank)
	Playback	Others	Auto Chapter	Manual
			REC Button	REC Start
		Video	Aspect	4:3(LB)
			Still Mode	Frame
		Audio	Dolby Digital OUT	Dolby Digital
			DTS OUT	OFF
			96kHz PCM OUT	Convert To 48kHz
			MPEG OUT	MPEG
		Language	Audio	English
			Subtitle	English
			DVD Menu	English
		Others	Parental Level	8
Country Code	us			

TOP	STATUS	Drive	HDD
		Project	[NEW]hyymmdd_xx
		V Input	Composite
		A Input	RCA
		TV System	PAL

Factory-preset values for the main unit

- Front panel
Setting of the VOLUME control: MIN
- Rear panel
Setting of the Terminate switch: ON (upper position)

1.3 SPECIFICATIONS

• DVD RECORDER [PRV-LX10]

A General

Power rating	: AC 220V- 240V, 50/60 Hz
Power consumption	: Maximum 1.0 A
Power consumption during Standby	: 6.5 W
Peak inrush current (Power on)	: 30 A
Weight	: 16.5 kg (36 lb 6 oz)
External dimensions	: 427 (W) x 179.5 (H) x 539.5 (D) mm (including projecting parts) 16-13/16 (W) x 7-1/16 (H) x 21-1/4 (D) in (including projecting parts)
Ambient temperature during use	: +5 °C to +35 °C (+41 °F to +95 °F)
Ambient humidity during use	: 5 - 85% RH (without condensation)

B Recording

Recording format	: DVD: DVD-Video
HDD	: VOB FILE
Recordable discs	: DVD-R
DVD-RW	

Video recording format

Sampling frequency	: 13.5 MHz
Compression	: MPEG

Audio recording format

Sampling frequency	: 48 kHz
Compression format	: Dolby Digital and Linear PCM (non-compressed)

Recording time

DVD-R/RW (manual rate)	: About 1 - 6 hours
HDD (manual rate)	: About 23 - 100 hours

Playback

Playable discs	: DVD-Video, DVD-R, DVD-RW (CD-R, CD-RW, and CD-ROM are supported for data read only)
----------------	--

Video input

Composite	: BNC x 1, 1.0 Vp-p, 75 Ω
S-VIDEO	: 4-pin mini DIN x 1 Y: 1.0 Vp-p, 75 Ω C: 0.286 Vp-p (NTSC), 0.300 Vp-p (PAL), 75 Ω
Component	: BNC x 3 Y: 1.0 Vp-p, 75 Ω B-Y: 0.525/0.7 Vp-p selectable (NTSC), 0.525 Vp-p (PAL), 75 Ω (with 75% color bar) R-Y: 0.525/0.7 Vp-p selectable (NTSC), 0.525 Vp-p (PAL), 75 Ω (with 75% color bar)

Video Output

Composite	: BNC x 1, 1.0 Vp-p, 75 Ω
S-VIDEO	: 4P mini DIN x 1 Y: 1.0 Vp-p, 75 Ω C: 0.286 Vp-p (NTSC), 0.300 Vp-p (PAL), 75 Ω
Component	: BNC x 3 Y: 1.0 Vp-p, 75 Ω Pb: 0.7 Vp-p, 75 Ω Pr: 0.7 Vp-p, 75 Ω

S/N ratio	: Composite/S-VIDEO(Y)/Component(Y): More than 60 dB (playback)
-----------	---

Audio input

L, R: unbalanced: Pin jack x 2, 2 Vrms (0 dBfs), 22 k Ω (or more)
 CH1 (L), CH2 (R) : balanced: XLR (female) x 2, +4 dBu, 600 Ω

Audio output

L, R: unbalanced : Pin jack x 2, 2 Vrms (0 dBfs), 1.5 k Ω (or less)
 Frequency response : 4 Hz to 22 kHz (DVD fs: 48 kHz)
 S/N ratio : More than 60 dB
 Distortion (THD+N) : Less than 0.02 %
 CH1 (L), CH2 (R): balanced : XLR (male) x 2, 0 dBu, 600 Ω load, low-impedance
 Frequency response : 4 Hz to 22 kHz (DVD fs: 48 kHz)
 S/N ratio : More than 60 dB
 Distortion (THD+N) : Less than 0.02 %
 Digital: unbalanced : Pin jack x 1, 0.5 Vp-p, 75 Ω

External Sync Input

: BNC x 2, black burst, 0.286 Vp-p (NTSC), 0.300 Vp-p (PAL), 75 Ω (ON/OFF)

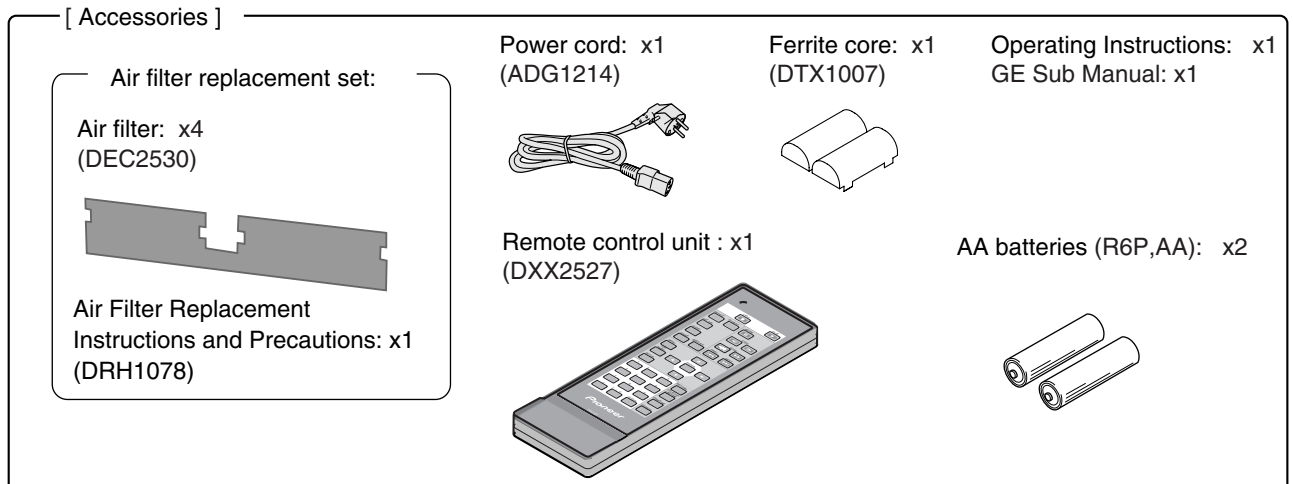
Other:

DV input/output : 4 pin (i.Link/IEEE 1394 compatible) x 1
 LTC input : BNC x 1, 0.5-8 Vp-p, 3 k Ω
 Remote input : D-sub 9-pin (female) RS-422A compatible x 1 (Inch threads)
 Remote output : D-sub 9-pin (female) RS-422A compatible x 1 (Inch threads)
 UPS control : D-sub 9-pin (male) RS-232C compatible x 1 (Inch threads)
 VGA output : Mini D-sub 15-pin (female) x 1 (Inch threads)
 Mouse/keyboard connectors : 4P type A (USB 2.0 compatible) x 4
 Ethernet : 8P type (IEEE802.3 compatible, category 5) x 1


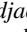
Accessories:

Remote control unit 1
 AA batteries 2
 Air filter replacement set 1
 Power cord 1
 Ferrite core 1
 Operating Instructions 1
 GE Sub Manual 1

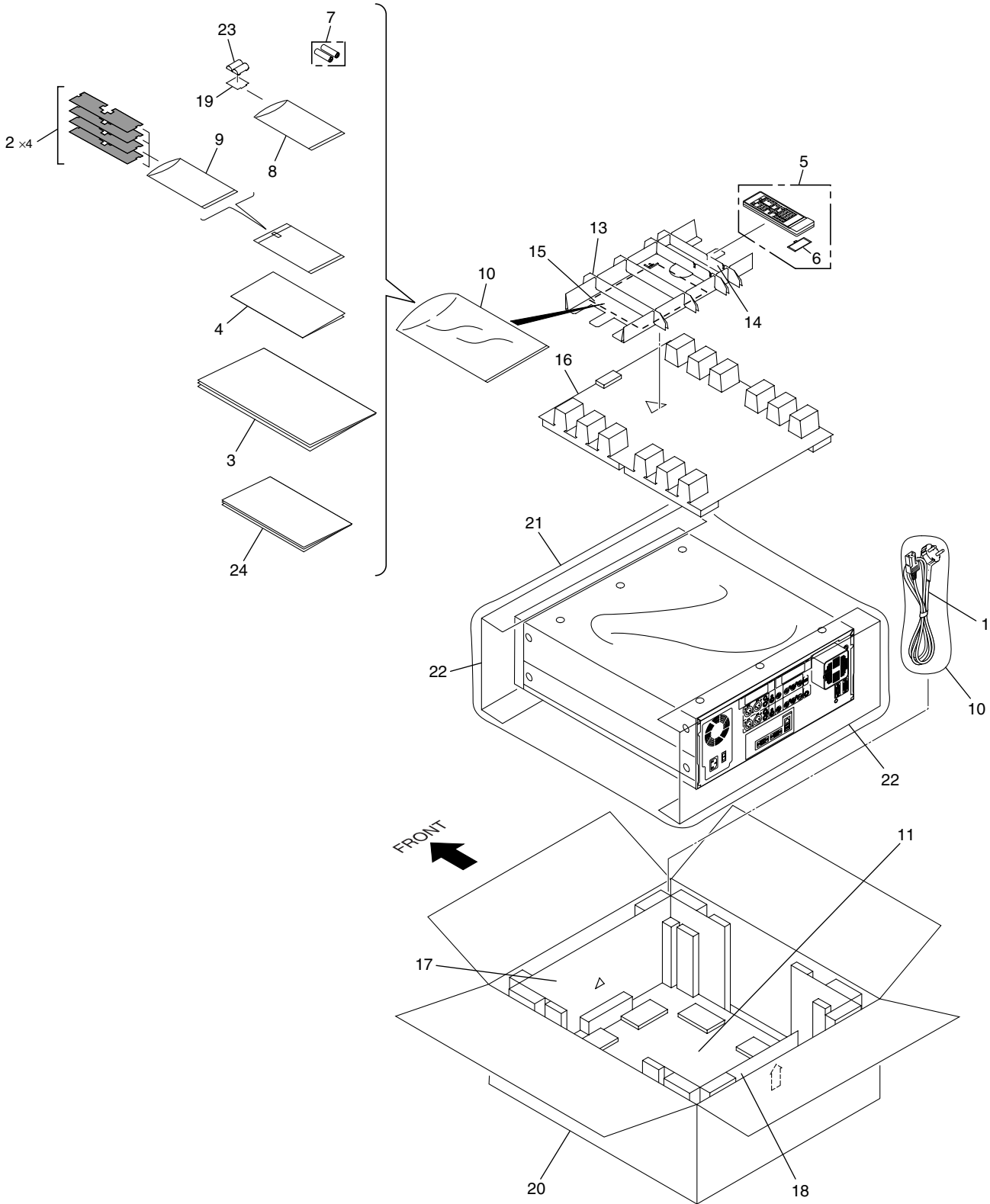
● *Specifications and appearance are subject to change without notice.*



2. EXPLODED VIEWS AND PARTS LIST

- NOTES:
- Parts marked by "NSP" are generally unavailable because they are not in our Master Spare Parts List.
 - The  mark found on some component parts indicates the importance of the safety factor of the part. Therefore, when replacing, be sure to use parts of identical designation.
 - Screws adjacent to  mark on product are used for disassembly.
 - For the applying amount of lubricants or glue, follow the instructions in this manual. (In the case of no amount instructions, apply as you think it appropriate.)

2.1 PACKING



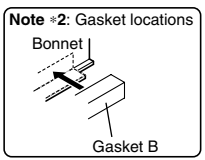
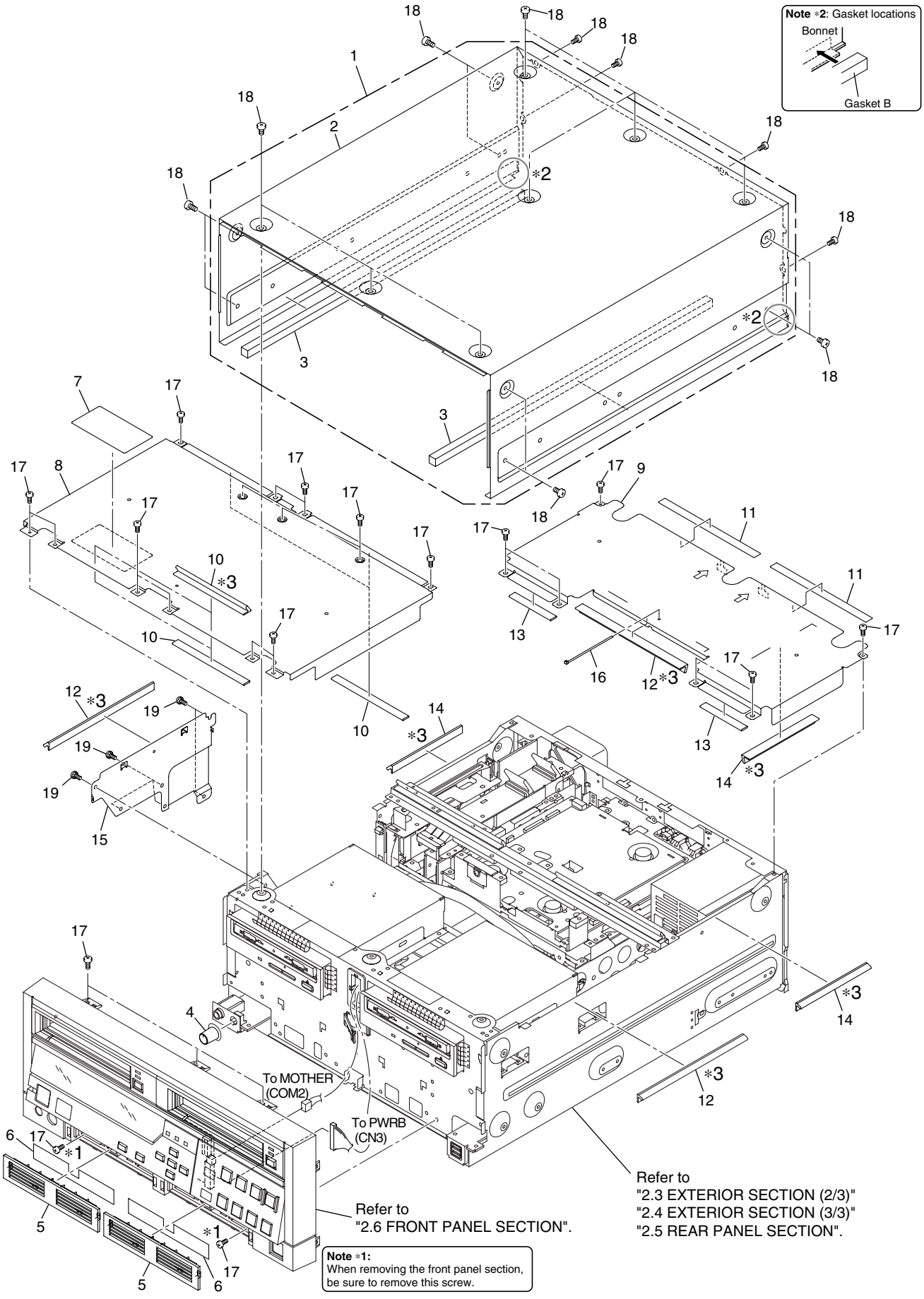
5 6 7 8

PACKING Parts List

<u>Mark No.</u>	<u>Description</u>	<u>Part No.</u>	
△ 1	Power Cord	ADG1214	
2	Air Filter	DEC2530	A
3	Operating Instructions (English/French)	DRE1028	
4	Air Filter Replacement Instructions and Precautions (EU)	DRH1078	
5	Remote Control Unit	DXX2527	
6	Battery Cover	VNK4403	
NSP 7	Dry Cell Battery (R6P, AA)	VEM1031	
NSP 8	Polyethylene Bag (60 x 120 x 0.03)	Z21-004	B
NSP 9	Polyethylene Bag (100 x 230 x 0.018)	Z21-010	
NSP 10	Polyethylene Bag (235 x 320 x 0.06)	Z21-019	
11	Bottom Pad	DHA1571	
12	•••••		
13	Accessory Plate	DHA1651	
14	Accessory Plate 2	DHA1652	
15	Accessory Base	DHA1653	
16	Top Pad 2	DHA1655	C
17	F Pad 2	DHA1656	
18	R Pad 2	DHA1657	
19	FE Sheet 2	DHA1675	
20	Packing Case EU	DHG2456	
21	Mirror Mat Bag	DHL1124	
22	Packing Sheet	RHC1052	
23	Ferrite Core	DTX1007	
NSP 24	GE Sub Manual	DRH1084	D

2.2 EXTERIOR SECTION (1/3)

A
B
C
D
E
F



Note #1:
When removing the front panel section, be sure to remove this screw.

Refer to
"2.3 EXTERIOR SECTION (2/3)"
"2.4 EXTERIOR SECTION (3/3)"
"2.5 REAR PANEL SECTION".

5 6 7 8

EXTERIOR SECTION Parts List

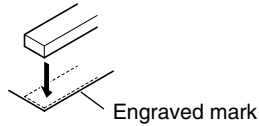
Mark No.	Description	Part No.	Mark No.	Description	Part No.
1	Bonnet Assy	DXA2021	11	Gasket ICR1	DEC2740
NSP 2	Bonnet	DNE1502	12	Gasket RB	DEC2742
3	Gasket B	DEC2738	13	Gasket ICR2	DEC2800
4	Volume Knob 2	DAC2175	14	Gasket C3	DEC2801
5	Filter Cover	DNV1036	NSP 15	Side Cover	DNE1503
6	Air Filter	DEC2530	16	Binder	ZCA-SKB90BK
7	Panel Caution Label EU	DRW2236	17	Screw	BBZ30P060FMC
NSP 8	Inner Cover F	DNE1520	18	Screw	BMZ40P080FZK
NSP 9	Inner Cover R	DNE1521	19	Screw	DBA1258
10	Gasket ICF	DEC2739			

Note *3: Notes on locations where gaskets are adhered

At the locations where gaskets are to be adhered on each part, engraved marks are provided.

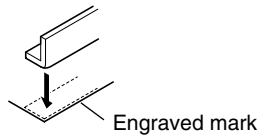
(a) Rectangular gaskets

Adhere a rectangular gasket by aligning it with the engraved corner marks. If no marks are provided on the part, adhere the gasket aligned with the four corners of the part.



(b) L-shaped gaskets

Adhere an L-shaped gasket by aligning the outer corner of the gasket with the engraved mark on the part. In cases of the chassis and side covers, adhere the gasket by aligning both ends of the gasket with the two engraved marks. If no marks are provided on the part, adhere the gasket by referring to the corresponding "Exploded views".



2.3 EXTERIOR SECTION (2/3)

1

2

3

4

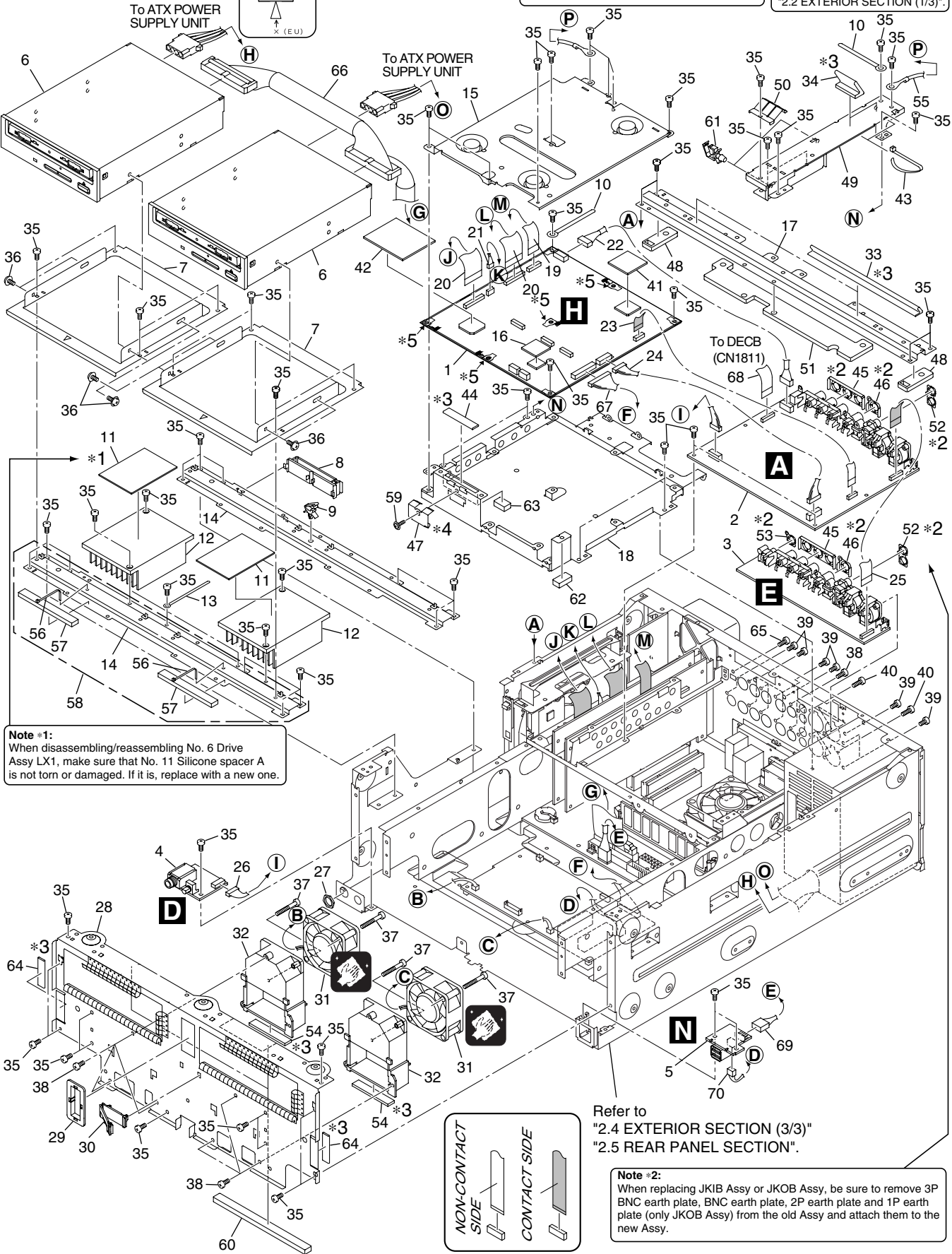


FAN Cleaning
Cleaning paper (GED-008)

Note #5: The "△x (EU)" mark part and AVI shield which are printed by AVIB Assy are fixed with a screw. (Four places)

Note #4: Attach the earth spring AVIB (CU) after the AVI base EU, AVI shield EU, and AVIB Assy have been assembled but before they are reassembled to the unit.

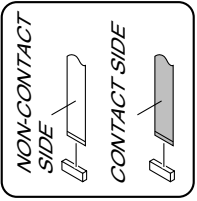
Note #3: See "note #3" on the section "2.2 EXTERIOR SECTION (1/3)".



Note #1: When disassembling/reassembling No. 6 Drive Assy LX1, make sure that No. 11 Silicone spacer A is not torn or damaged. If it is, replace with a new one.

Refer to "2.4 EXTERIOR SECTION (3/3)"
"2.5 REAR PANEL SECTION".

Note #2: When replacing JKIB Assy or JKOB Assy, be sure to remove 3P BNC earth plate, BNC earth plate, 2P earth plate and 1P earth plate (only JKOB Assy) from the old Assy and attach them to the new Assy.



1

2

3

4

5			6			7			8		
Mark No.	Description	Part No.	Mark No.	Description	Part No.	Mark No.	Description	Part No.	Mark No.	Description	Part No.
1	AVIB Assy	DWV1202	51	Cover Sheet BC	DEC2833						
2	JKIB Assy	DWZ1126	52	2P Earth Plate	ANK1156						
3	JKOB Assy	DWZ1127	53	1P Earth Plate	ANK1228						A
4	HPVB Assy	DWZ1128	54	Gasket Fan	DEC2741						
5	USBB Assy	DWZ1159	NSP 55	Earth Lead Jumper	DE006VDO						
△ 6	DRIVE Assy LX1	DXX2532	56	Binder	ZCA-SKB90BK						
NSP 7	Drive Base	DNH2548	57	Gasket C1	DEC2745						
8	Flat Cable Clamp	DEC2534	58	Front Bridge Assy	DXA2031						
NSP 9	Wire Saddle	DEC2543	59	Screw	AMZ30P060FMC						
10	Cord Holder	RNH-184	60	Cover Sheet FC	DEC2837						
11	Silicone Spacer A	DEB1600	61	Locking Wire Saddle	DEC1305						
12	Heat Sink	DNG1087	62	Cover Sheet AV1	DEC2835						B
13	Cord Holder	RNH1005	63	Cover Sheet AV2	DEC2836						
NSP 14	Front Bridge	DNE1525	64	Gasket PS	DEC2744						
NSP 15	AVI Shield	DNE1505	65	Screw	BCZ30P060FNI						
16	Radiation Sheet L	VEB1332	66	Connector 40P	DKP3671						
NSP 17	Rear Bridge EU	DNE1526	67	Connector 14P	DKP3636						
NSP 18	AVI Base EU	DNE1504	68	Flexible Cable 30P	DDD1229						
19	Flexible Cable (30P)	DDD1229	69	Connector 10P	DKP3646						
20	Flexible Cable (50P)	DDD1226	70	Connector 3P	DKP3655						
21	Connector Assy 4P	DKP3640									C
22	Housing Assy 6P	DKP3658									
23	Flexible Cable (20P)	DDD1228									
24	Connector Assy 7P	DKP3639									
25	Flexible Cable (30P)	DDD1230									
26	Connector Assy 8P	DKP3643									
27	Nut	NKX2FUC									
NSP 28	Panel Stay Assy	DNE1501									
NSP 29	Protector	DNK1340									
30	Flat Cable Clamp	DEC1850									D
△ 31	DC Fan Motor	AXM7014									
NSP 32	Fan Duct EU	DNK4447									
33	Gasket RB	DEC2742									
34	Gasket FC	DEC2802									
35	Screw	BBZ30P060FMC									
36	Screw	AMZ30P060FZK									
37	Screw	BPZ30P350FZK									
38	Screw	BPZ30P080FZK									
39	Screw	BBT30P060FZK									E
40	Screw	PPZ30P100FMC									
41	EMC Sheet S	DEB1624									
42	EMC Sheet	DEB1620									
43	Binder	DEC2803									
44	Gasket AVI	DEC2747									
45	3P BNC Earth Plate (CU)	DBK1273									
46	BNC Earth Plate (CU)	DBK1274									
47	Earth Spring AVIB (CU)	DBK1275									
48	Cover Sheet BR	DEC2834									F
NSP 49	Flexible Cover	DNE1506									
50	FC Earth Metal (CU)	DBK1278									

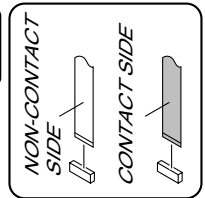
2.4 EXTERIOR SECTION (3/3)



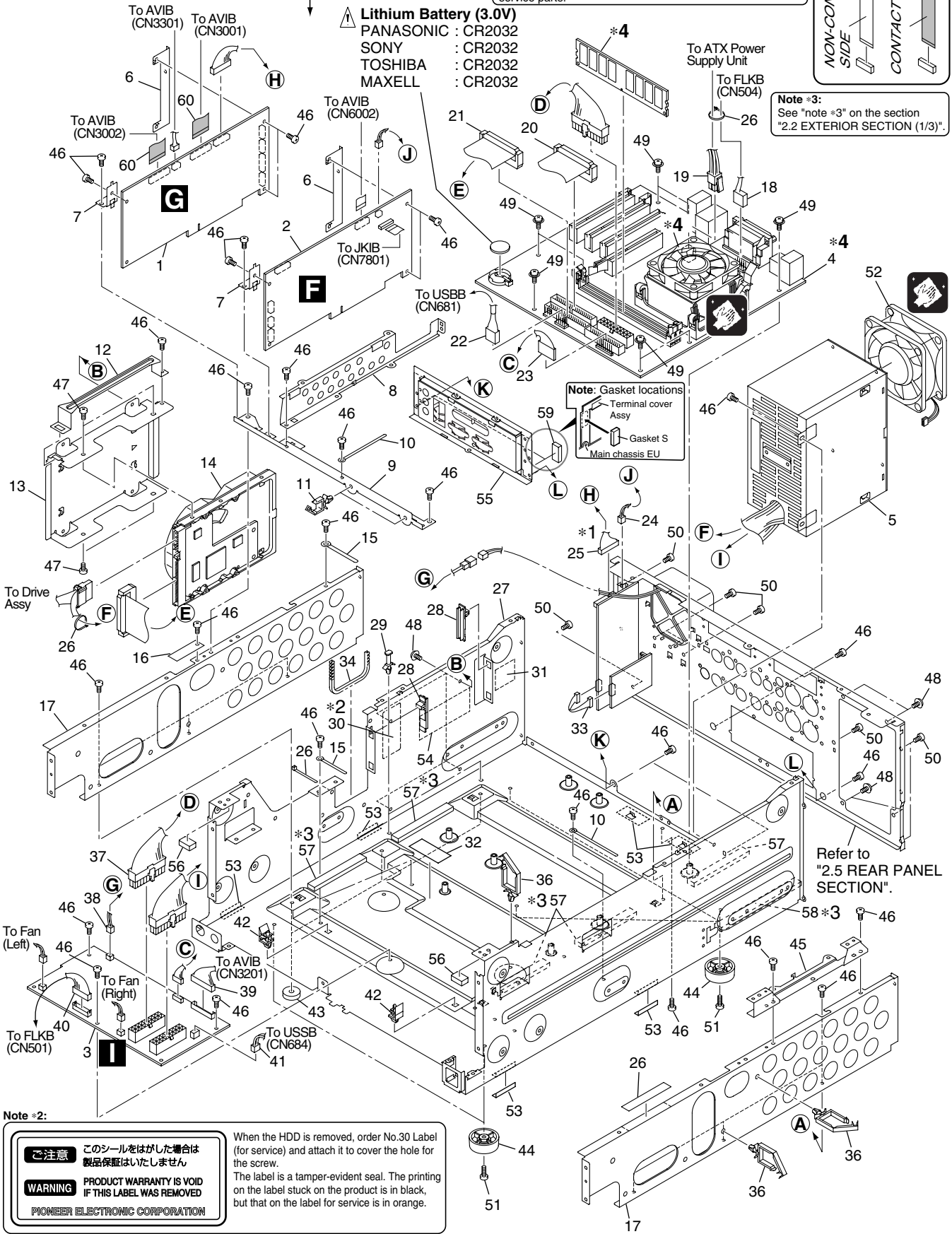
FAN Cleaning
Cleaning paper (GED-008)

Note #1:
Be careful of sharp edges while working around this section.

Note #4:
The Memory, CPU and CPU Cooler are provided together as the components of the MOTHER BOARD Assy (DXF1007) service parts.



Note #3:
See "note #3" on the section "2.2 EXTERIOR SECTION (1/3)".



Note #2:

ご注意 このシールをはがした場合は製品保証はいたしません

WARNING PRODUCT WARRANTY IS VOID IF THIS LABEL WAS REMOVED

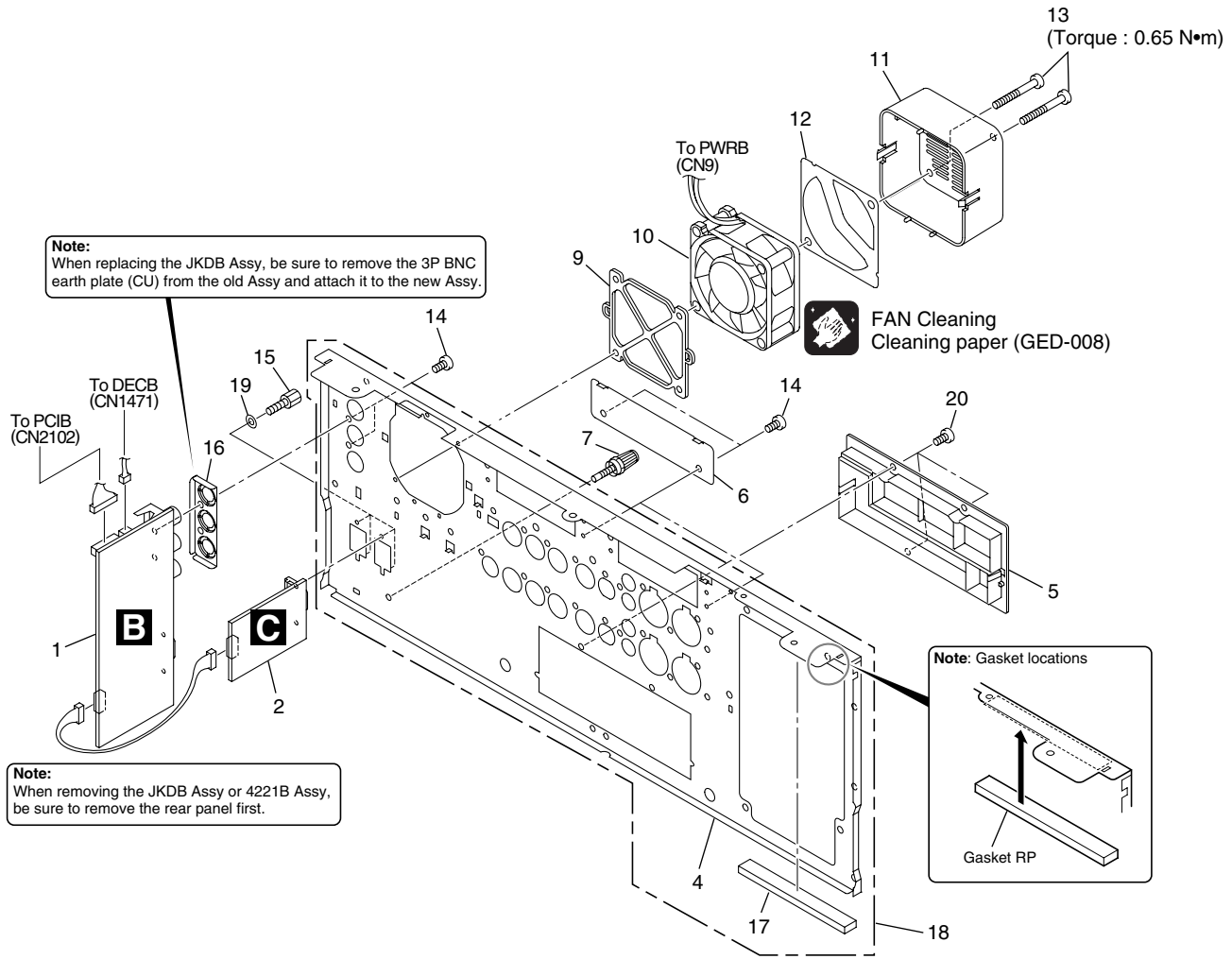
PIONEER ELECTRONIC CORPORATION

When the HDD is removed, order No.30 Label (for service) and attach it to cover the hole for the screw.
 The label is a tamper-evident seal. The printing on the label stuck on the product is in black, but that on the label for service is in orange.

5			7			8		
Mark No.	Description	Part No.	Mark No.	Description	Part No.			
	1	PCIB Assy		51	Screw			
	2	DECB Assy		⚠ 52	DC Fan Motor			
	3	PWRB (POLY) Assy		53	Driver Sheet Assy			A
⚠	4	MOTHER BOARD Assy		54	Caution Label (EU)			
⚠	5	ATX Power Supply Unit		NSP 55	Terminal Cover Assy			
	NSP 6	Board Stay R		56	Cover Sheet FR			
	NSP 7	Board Stay F		57	Gasket C1			
	NSP 8	PCI Cover		58	Gasket C2			
	NSP 9	Center Stay		59	Gasket S			
	10	Cord Holder		60	Flexible Cable 50P			
	11	Locking Wire Saddle						
NSP	12	HDD Handle						B
NSP	13	HDD Base						
⚠	14	HDD 120G 4R120L0						
	15	Cord Holder						
	16	Edge Sheet						
NSP	17	FR Plate						
	18	Connector Assy 10P-3P						
	19	Connector Assy 4P						
	20	Connector Assy 40P						
	21	Connector Assy 40P						C
	22	Connector Assy 10P						
	23	Connector Assy 9P-6P						
	24	Connector Assy 2P						
	25	Connector Assy 11P						
	26	Binder						
NSP	27	Main Chassis EU						
NSP	28	PCB Support						
	29	Card Spacer						
	30	Label (for service)						D
NSP	31	Label						
	32	Lithium Battery Caution Label						
	33	Connector Assy 6P						
	34	Edge Guard A						
NSP	35	Wire Saddle						
NSP	36	Wire Saddle (8S)						
	37	Connector Assy 20P						
	38	Connector Assy 2P						
	39	Connector Assy 14P						E
	40	Connector Assy 20P						
	41	Connector Assy 3P						
NSP	42	Card Edge Spacer						
	43	Screw Guard						
	44	Leg						
NSP	45	Jack Stay						
	46	Screw						
	47	Screw						
	48	Screw						F
	49	Screw						
	50	Screw						

2.5 REAR PANEL SECTION

A
B
C
D
E
F

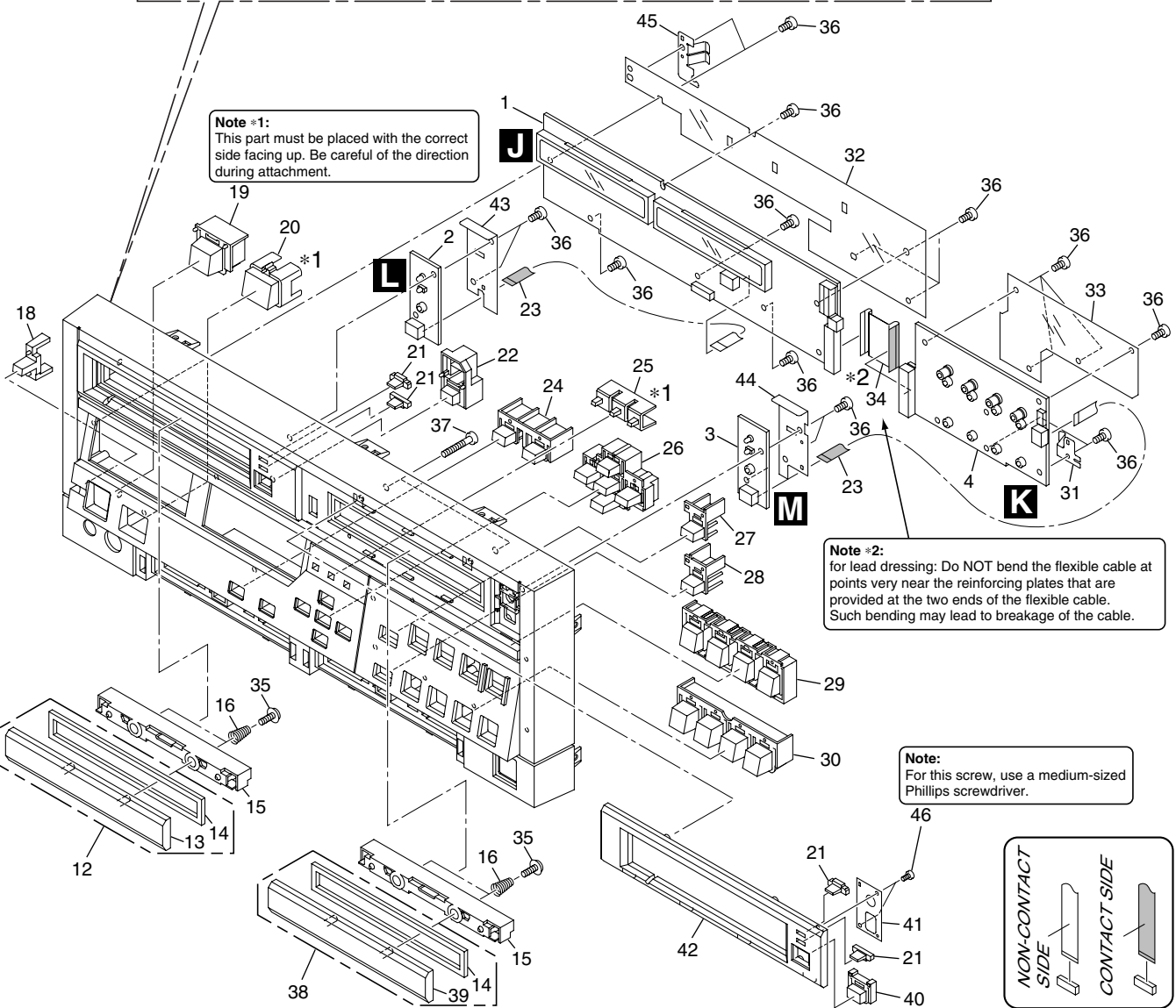
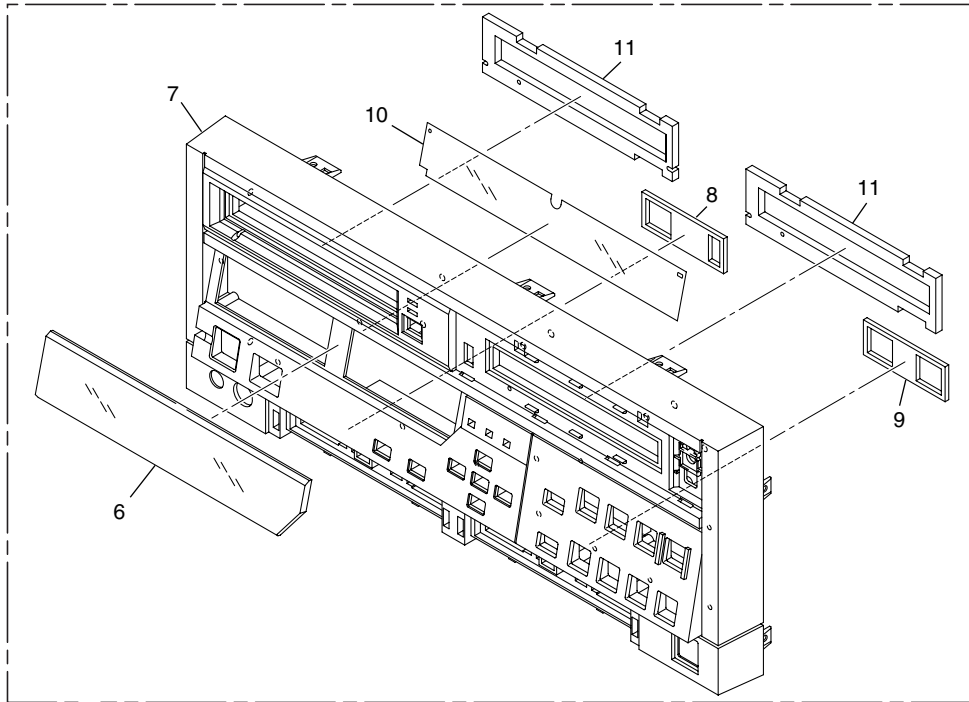


REAR PANEL SECTIN Parts List

<u>Mark No.</u>	<u>Description</u>	<u>Part No.</u>
1	JKDB Assy	DWZ1134
2	422IB Assy	DWZ1133
3	•••••	
NSP 4	Rear Panel	DNC1703
NSP 5	Terminal Cover	DNK4154
NSP 6	Blind Plate	DNF1678
7	Earth Terminal	DKE-102
NSP 8	Guard Tape	DEC2587
9	Fan Spacer	AMR7265
⚠ 10	DC Fan Motor	AXM7014
11	Fan Cover	AMR7264
12	Fan Plate	DEC2692
13	Screw	ABA7003
14	Screw	BBT30P060FZK
15	Screw	BBA1051
16	3P BNC Earth Plate (CU)	DBK1273
17	Gasket RP	DEC2743
18	Rear Panel Assy	DXA2022
19	Washer	WH30FNI
20	Screw	BBZ30P060FMC

A
B
C
D
E
F

2.6 FRONT PANEL SECTION

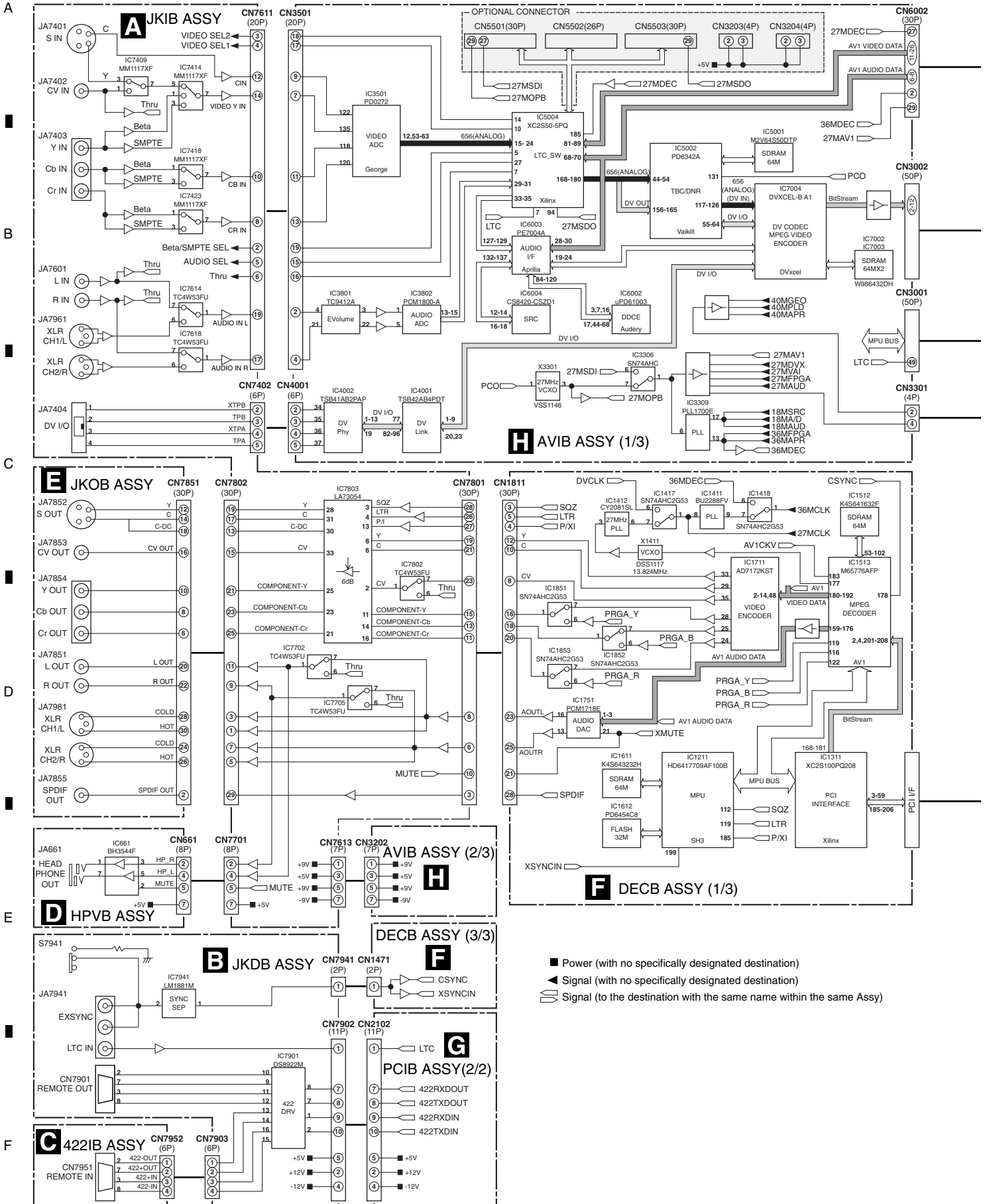


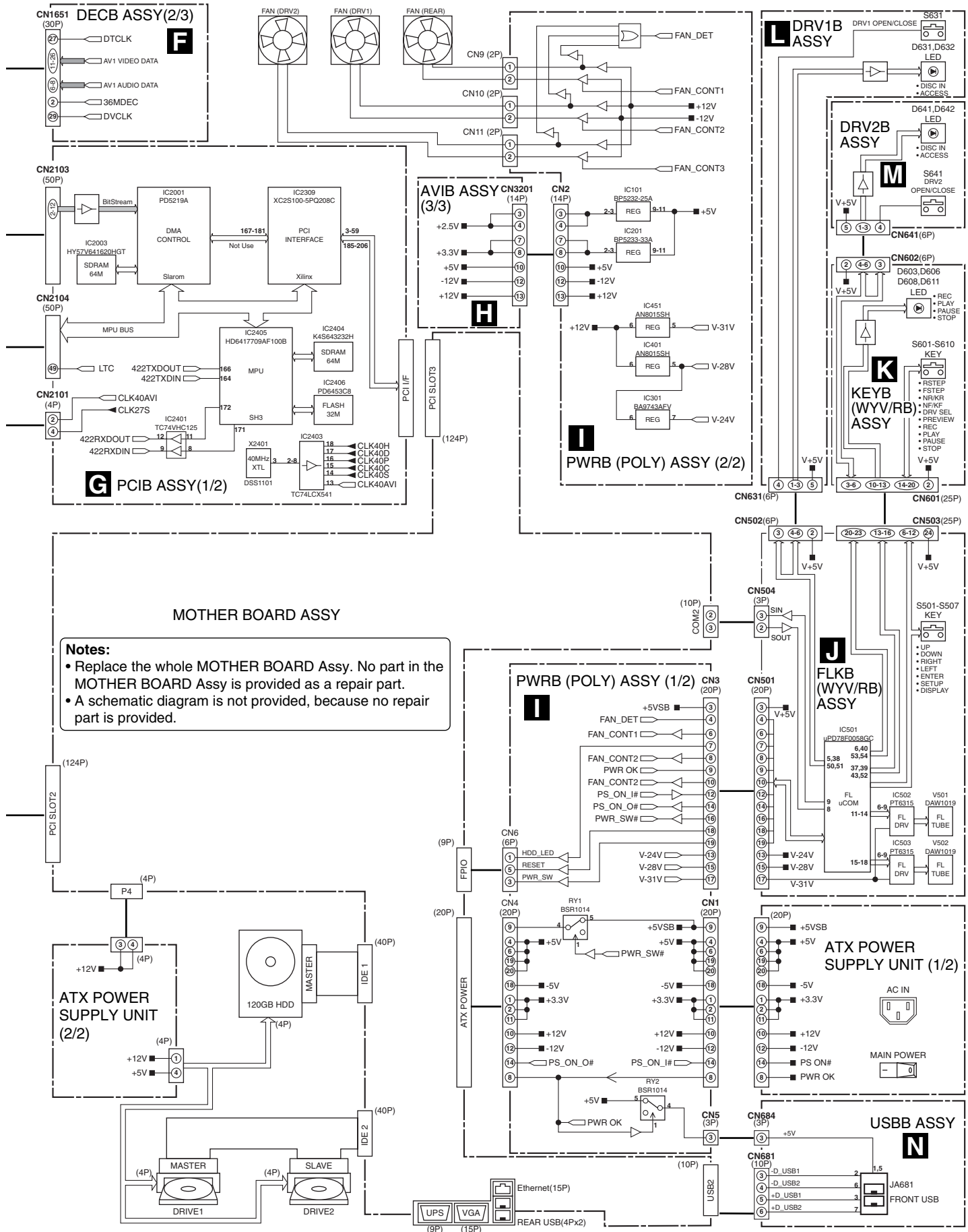
<u>Mark No.</u>	<u>Description</u>	<u>Part No.</u>	
1	FLKB(WYV/RB) Assy	DWZ1164	
2	DRV1B Assy	DWZ1160	
3	DRV2B Assy	DWZ1161	A
4	KEYB(WYV/RB) Assy	DWZ1157	
5	Front Panel EU Assy	DXA2023	
NSP 6	FL Window	DAK1001or DEC2849	
NSP 7	Front Panel EU	DAX1014	
NSP 8	Air Seal A	DED1164	
NSP 9	Air Seal B	DED1165	
NSP 10	FL Filter	DEC2531	
11	Drive Filter	DED1163	
12	Tray Panel 1 Assy	DXA1961	B
NSP 13	Tray Panel 1	DNV1037	
NSP 14	Tray Filter	DEC2528	
15	Tray Holder	DNV1038	
16	Tray Spring	DBH1515	
17	•••••		
18	Power Lens	DNV1043	
19	Power Button	DAC2105	
20	IR Window	DNV1042	
21	Drive Lens	DNV1039	C
22	Tray Button 1	DAC2099	
23	Flexible Cable (6P)	DDD1231	
24	ETC Button	DAC2103	
25	Drive Select Lens	DNV1041	
26	Cursor Button	DAC2104	
27	Drive Select Button	DAC2102	
28	Preview Button	DAC2107	
29	Play Button 1	DAC2100	
30	Play Button 2	DAC2101	D
31	Earth Metal B (CU)	DBK1277	
32	Barrier FL	DEC2748	
33	Barrier 2	DEC2533	
34	Flexible Cable (25P)	DDD1232	
35	Screw	VBA1034	
36	Screw	BPZ30P080FZK	
37	Screw	BPZ30P250FMC	
38	Tray Panel 2 Assy	DXA1962	
NSP 39	Tray Panel 2	DNV1044	E
40	Tray Button 2	DAC2110	
41	Drive Lens Support Plate	DEC2536	
42	Drive 2 Panel	DNV1045	
43	Barrier D1	DEC2765	
44	Barrier D2	DEC2766	
45	Earth Metal F (CU)	DBK1276	
46	Screw	BPZ20P060FZK	F

3. BLOCK DIAGRAM AND SCHEMATIC DIAGRAM

3.1 BLOCK DIAGRAM

3.1.1 OVERALL BLOCK DIAGRAM





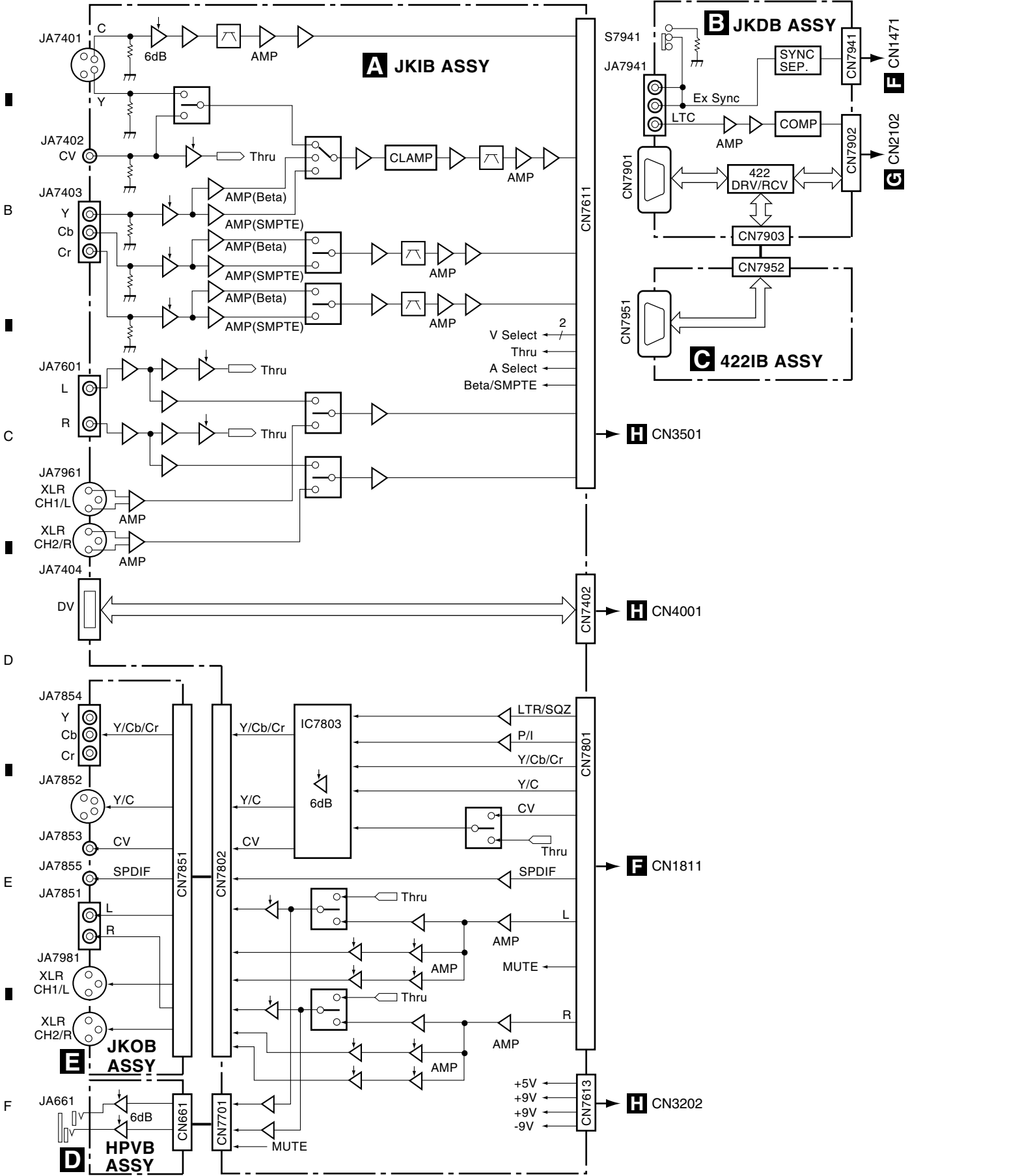
Notes:

- Replace the whole MOTHER BOARD Assy. No part in the MOTHER BOARD Assy is provided as a repair part.
- A schematic diagram is not provided, because no repair part is provided.

3.1.2 I/O BLOCK

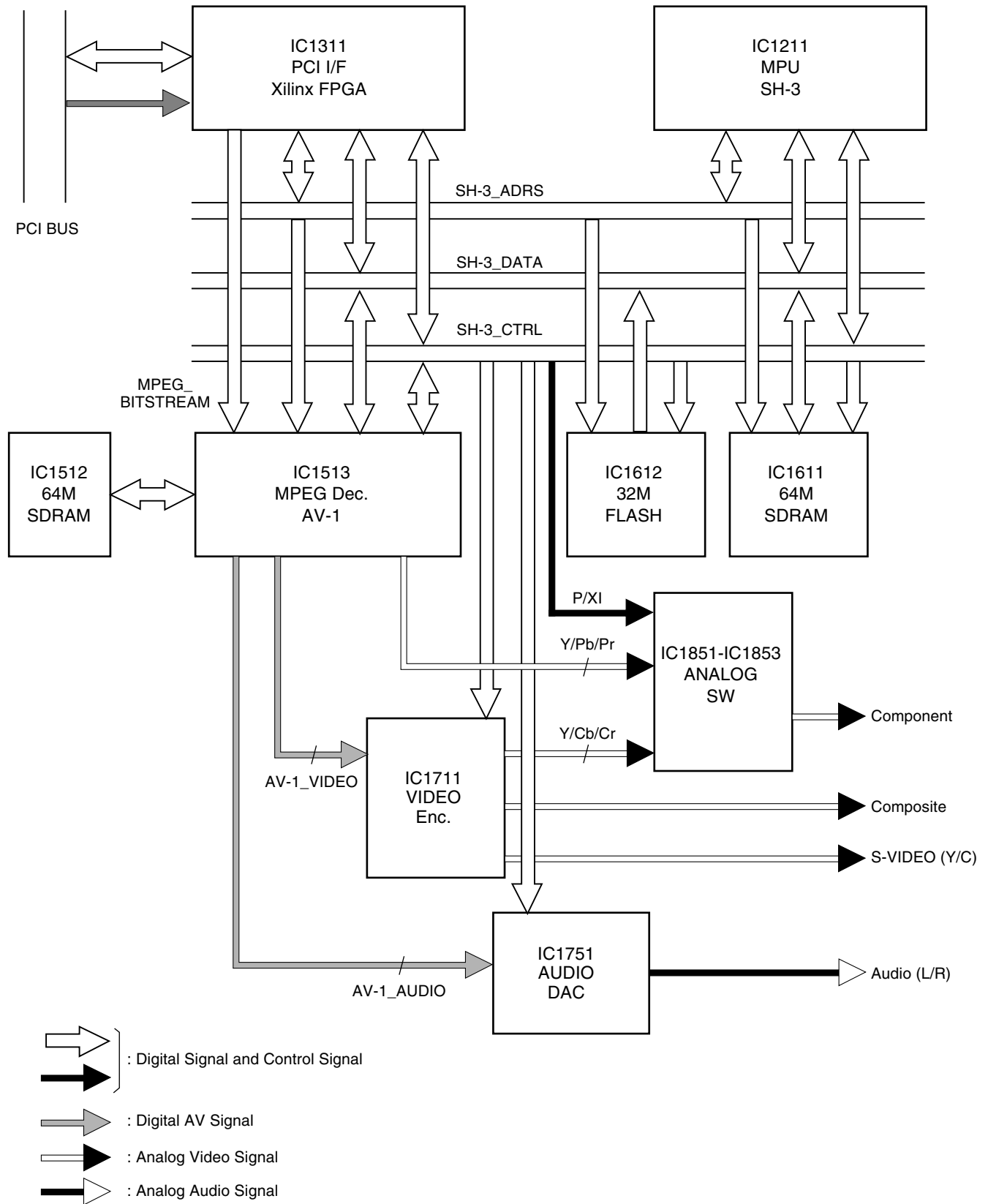
1 2 3 4

A



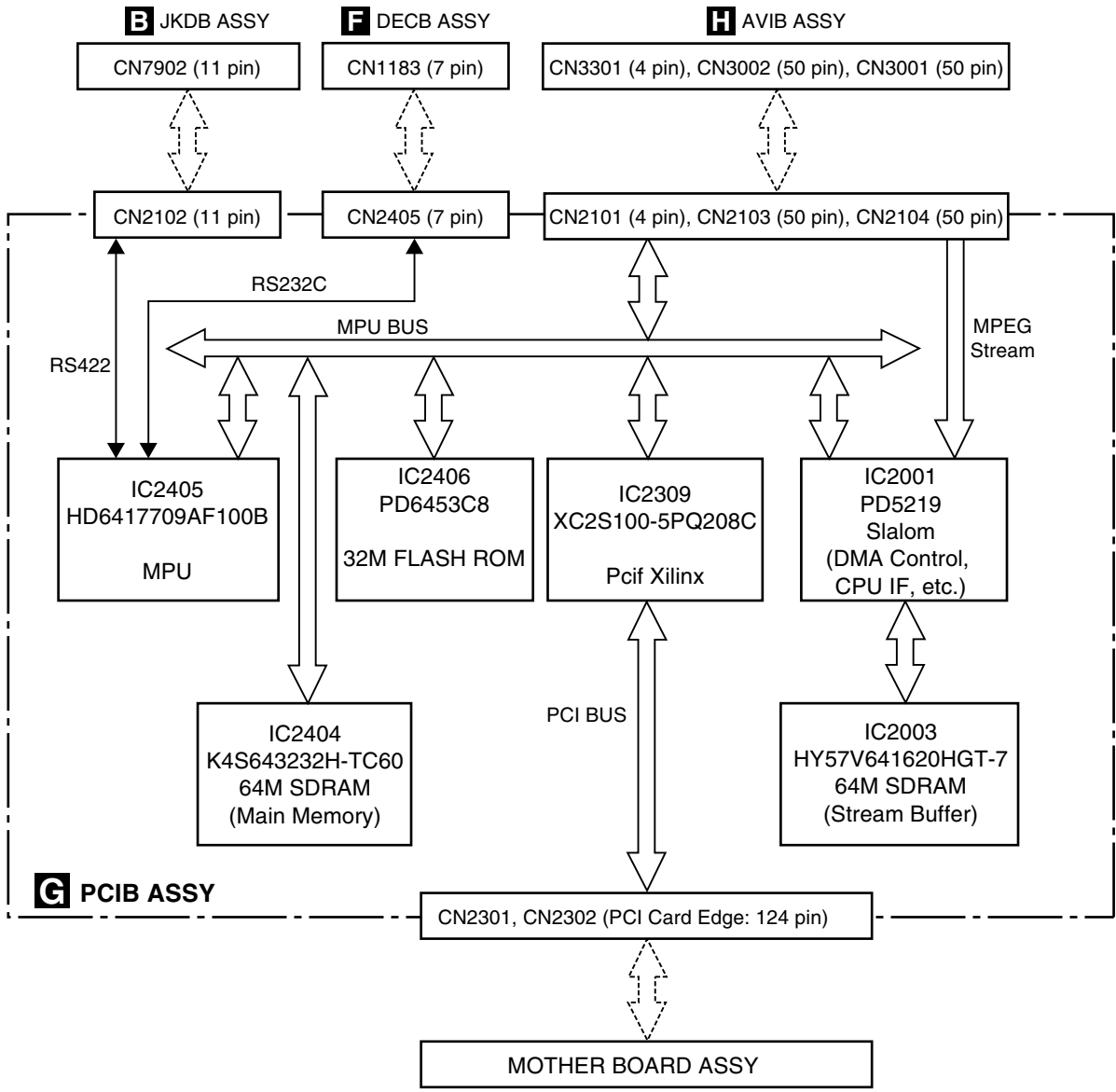
1 2 3 4

3.1.3 DECB ASSY



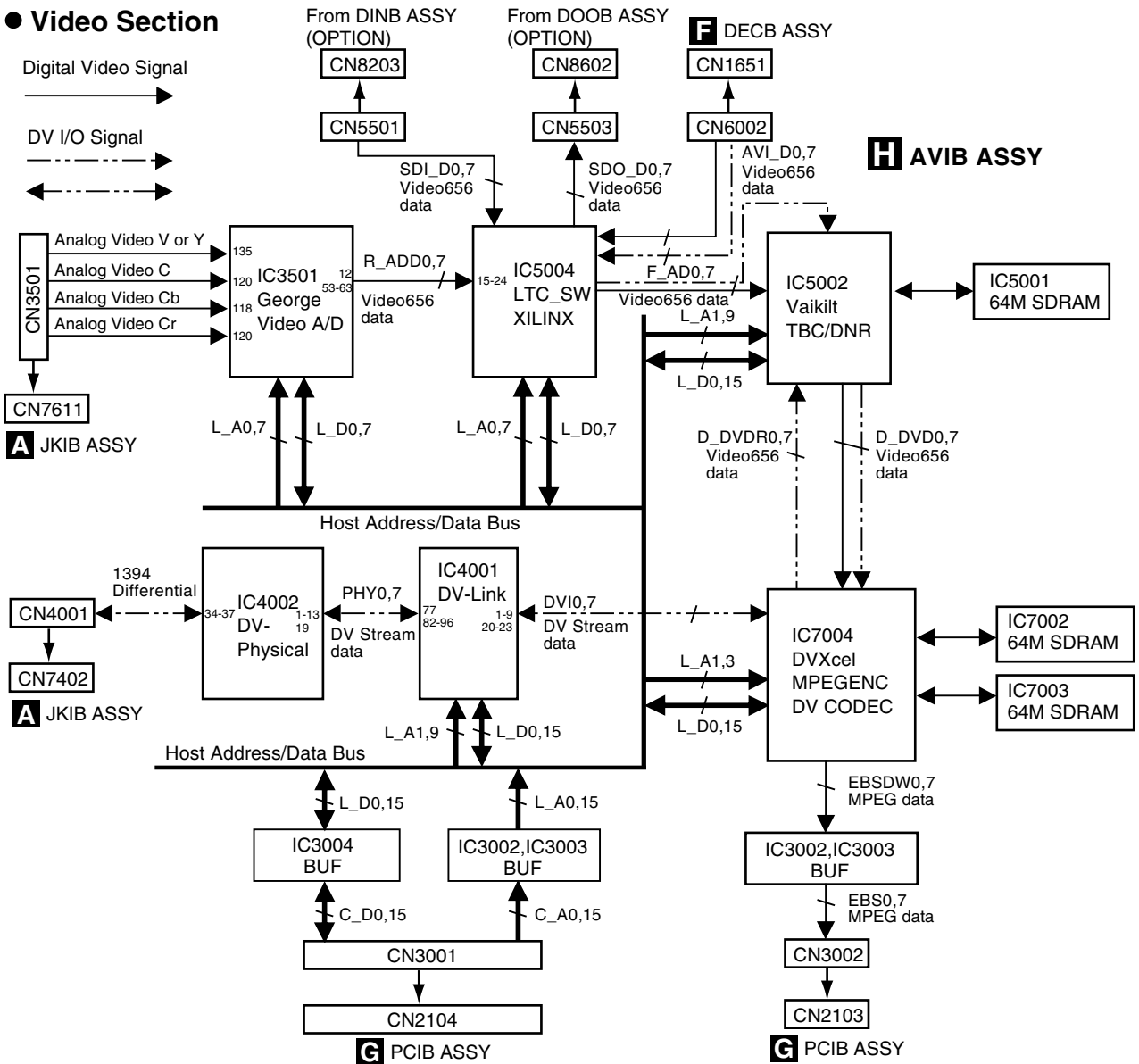
3.1.4 PCIB ASSY

A
B
C
D
E
F

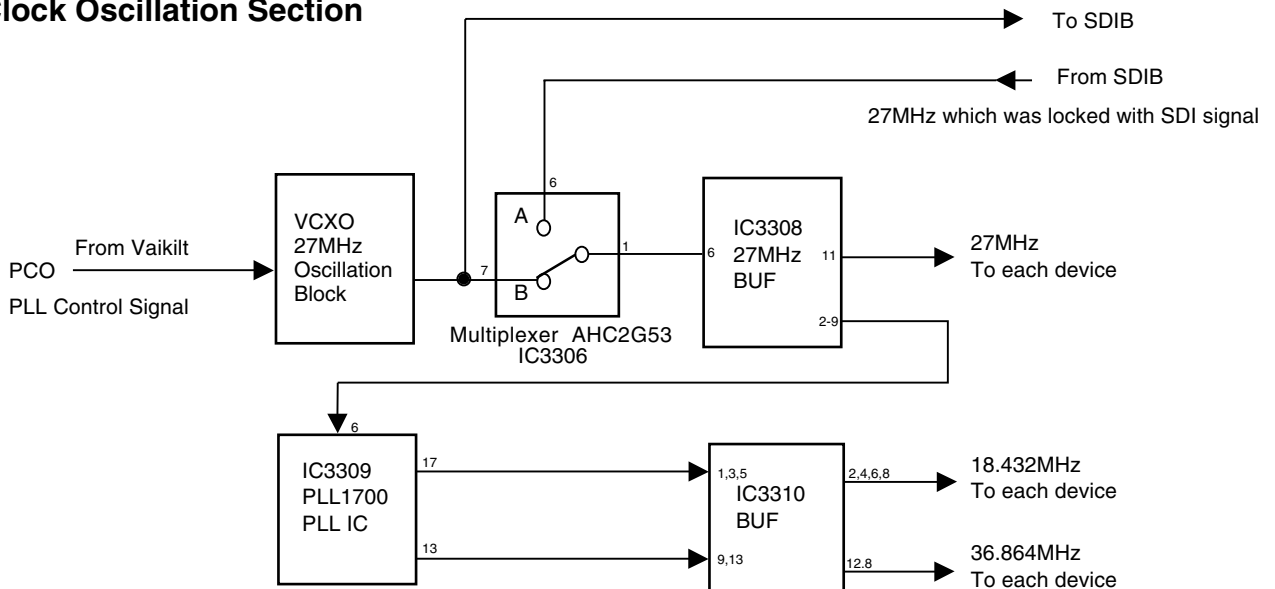


3.1.5 AVIB ASSY

● Video Section



● Clock Oscillation Section



● Audio Section

A

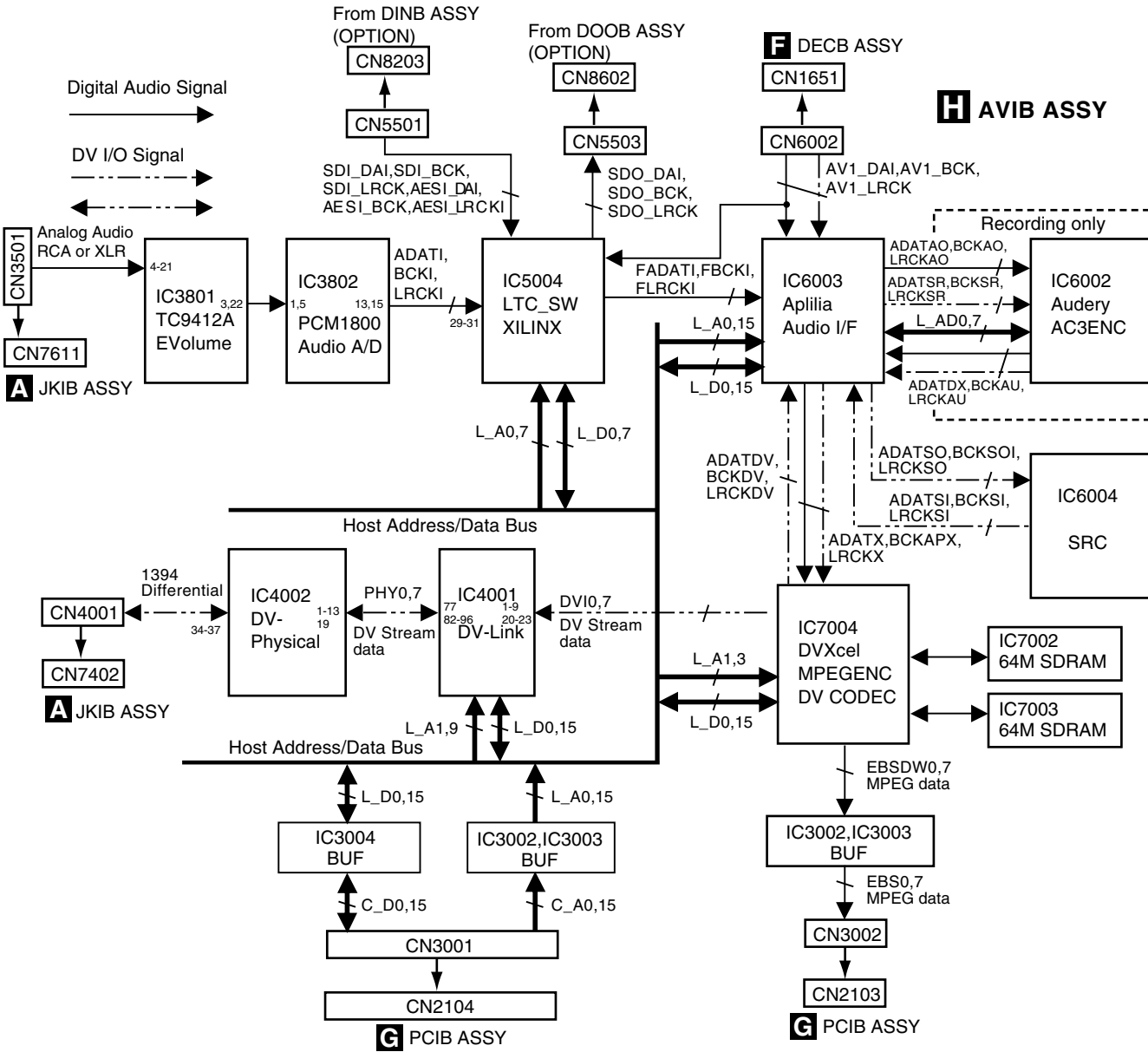
B

C

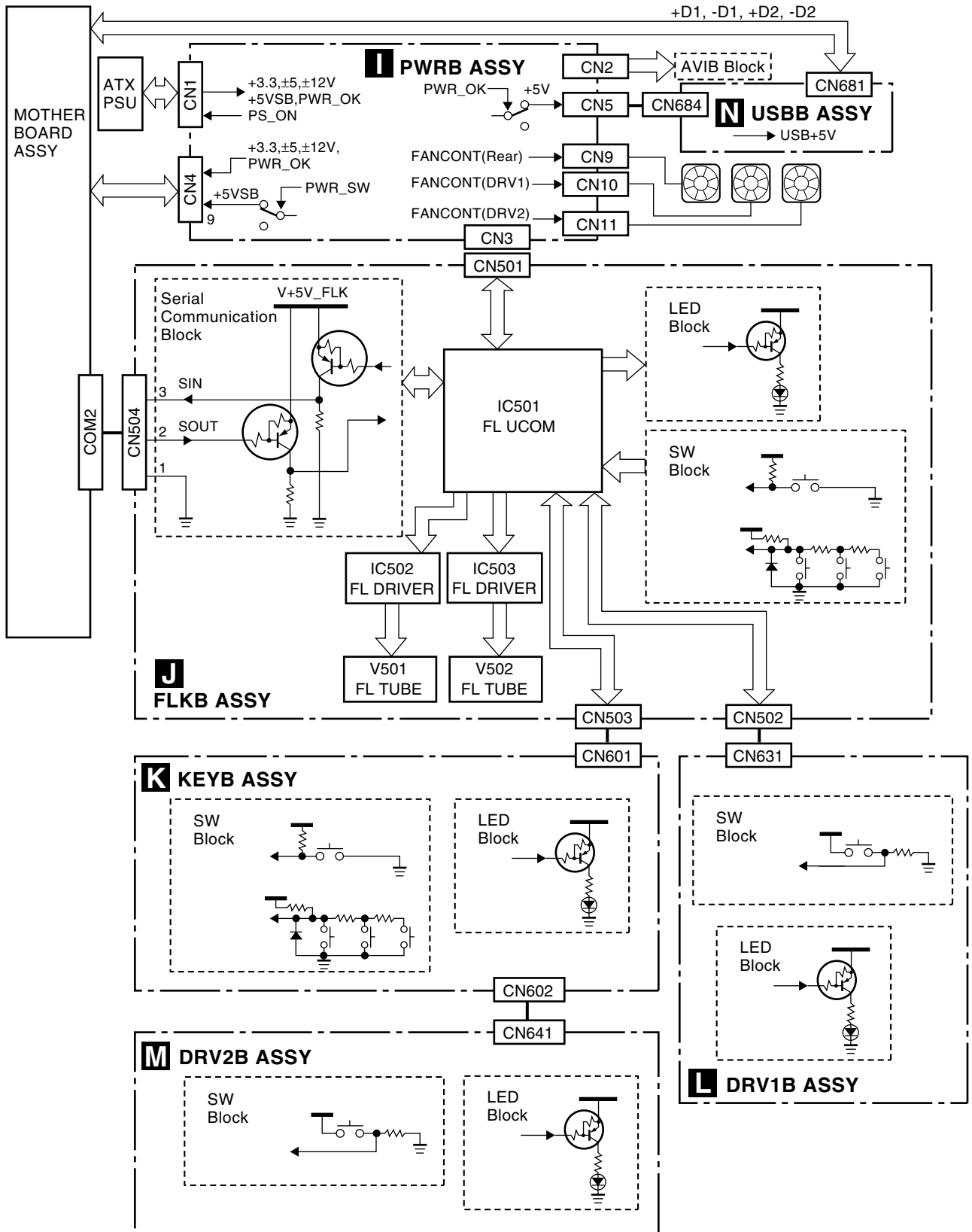
D

E

F



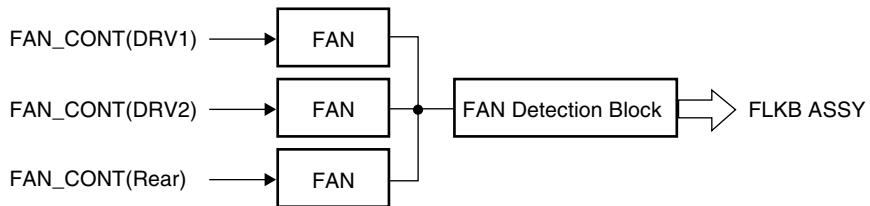
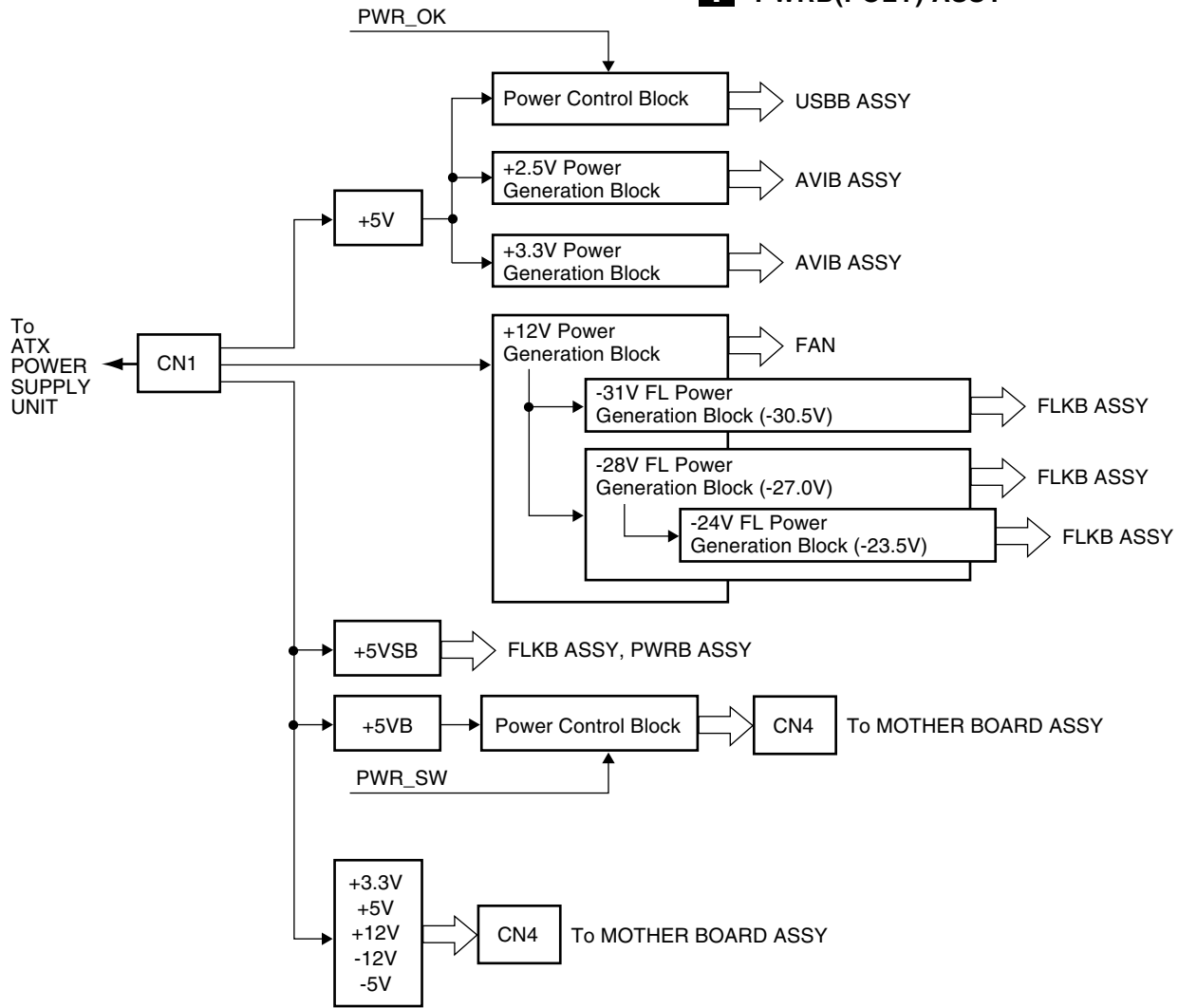
3.1.6 PWRB, FLKB, KEYB, DRV1B, DRV2B and USBB ASSYS



3.1.7 PWRB ASSY

A
B
C
D
E
F

PWRB(POLY) ASSY



3.1.8 WAVEFORMS

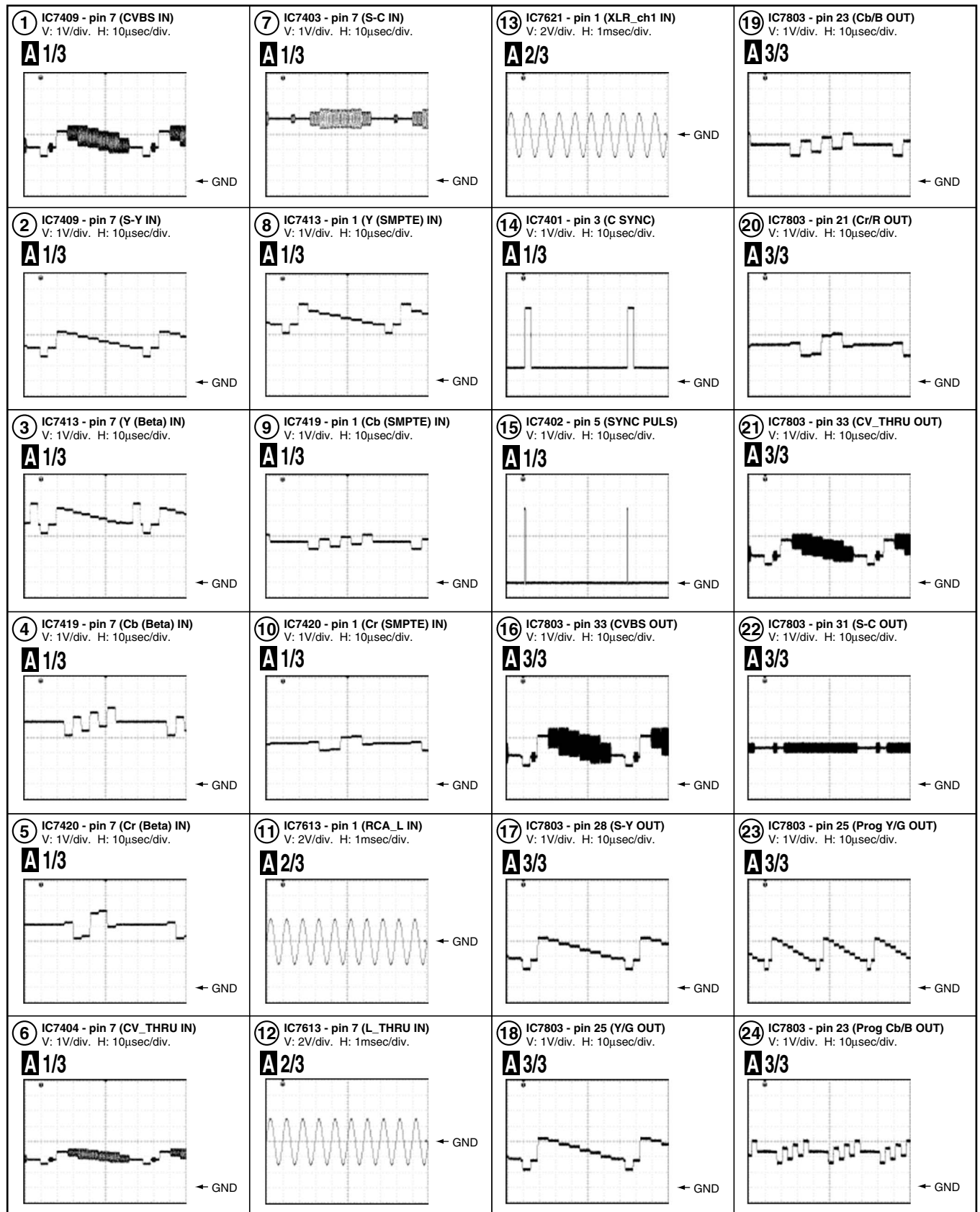
Note : The encircled numbers denote measuring point in the schematic diagram.

A JKIB ASSY

Measurement condition :

Video input (playback) signal : 75/0/75/0 color-bar (NTSC)

Audio input (playback) signal : 1kHz 0dB



A

A JKIB ASSY

Measurement condition :
Video input (Recording/Playback) signal: 100/0/75/0 EBU color-bar (PAL)

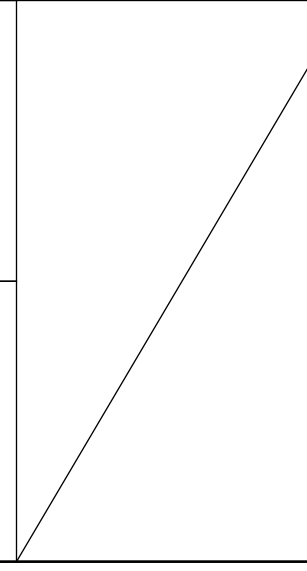
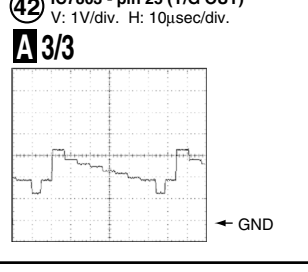
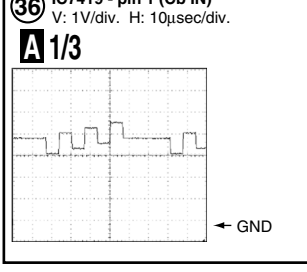
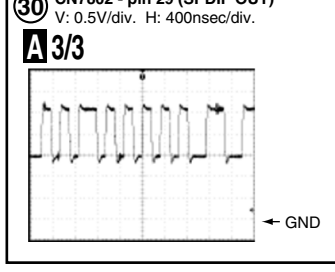
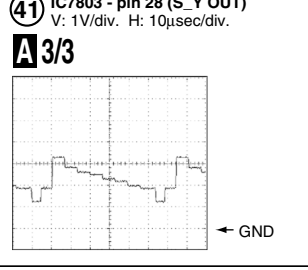
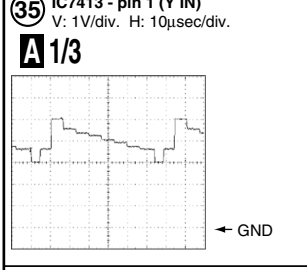
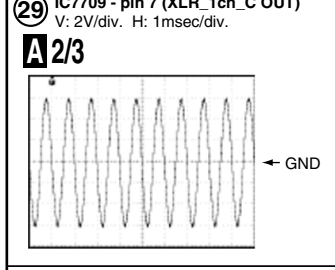
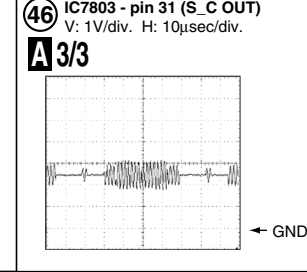
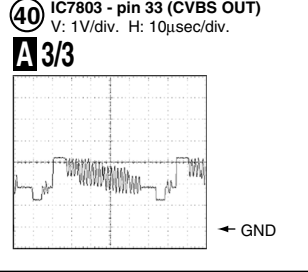
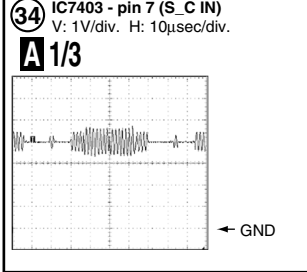
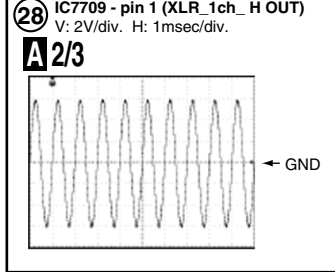
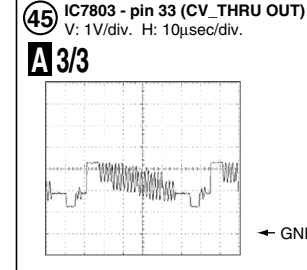
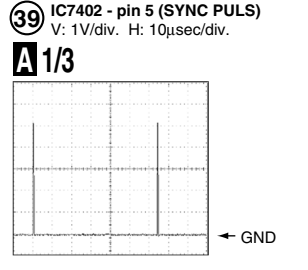
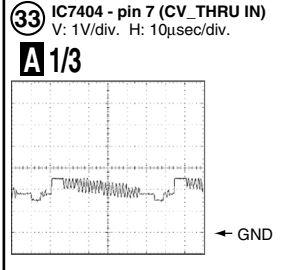
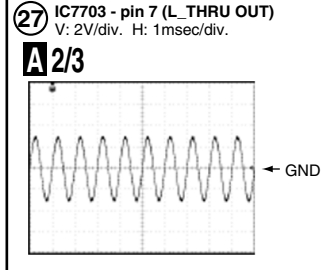
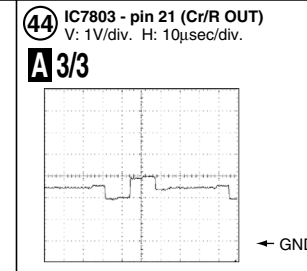
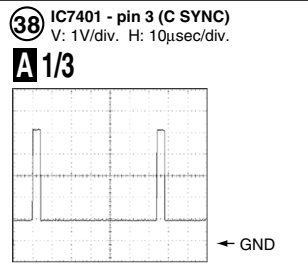
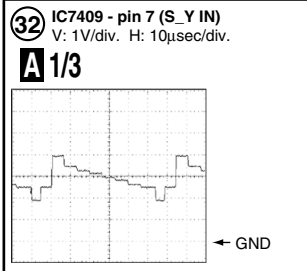
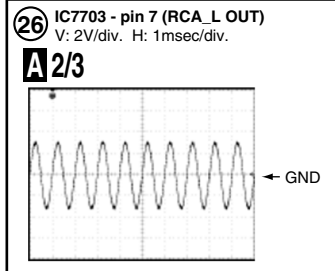
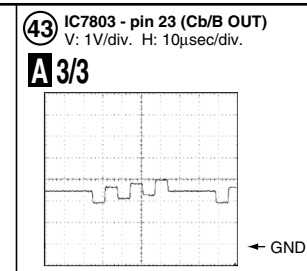
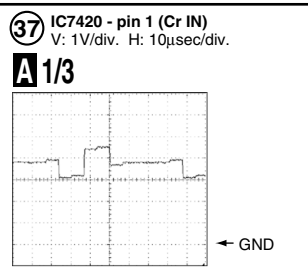
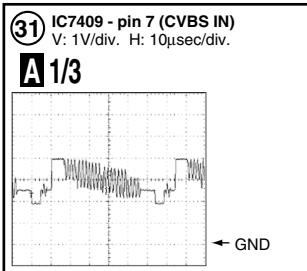
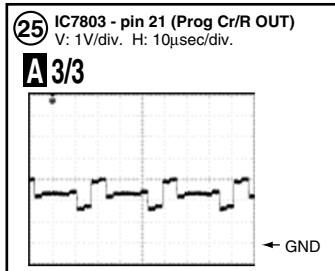
B

C

D

E

F

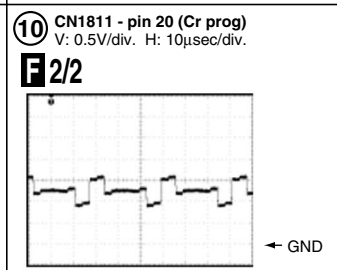
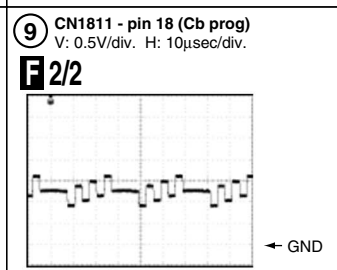
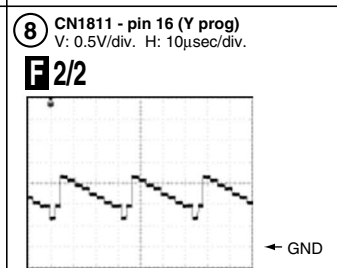
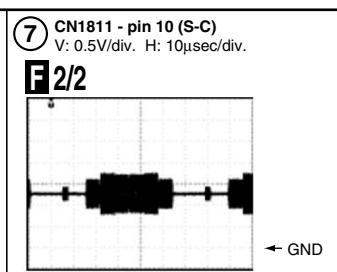
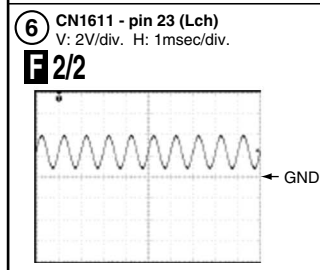
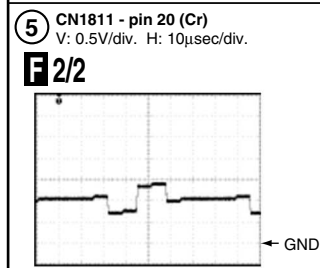
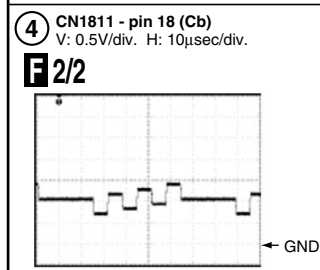
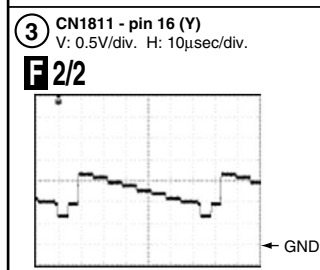
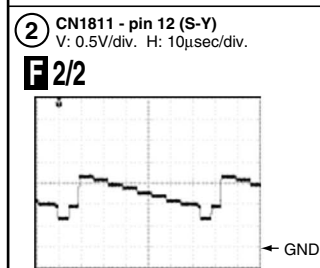
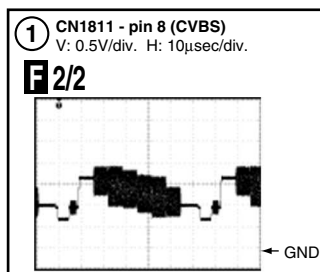
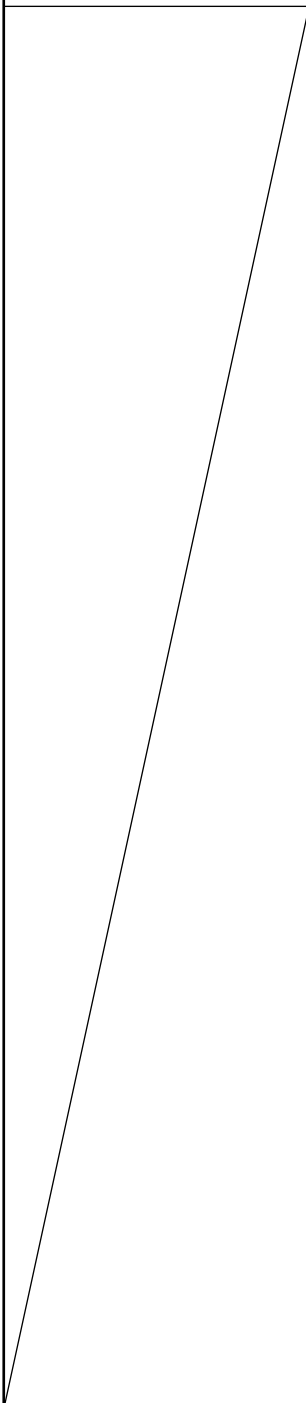
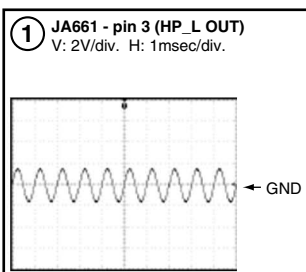
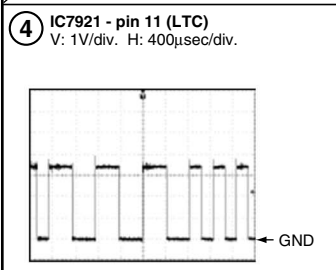
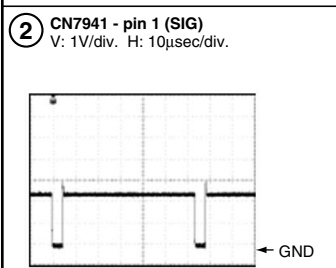
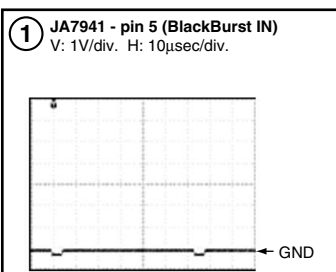


B JKDB ASSY

D HPVB ASSY

F DECB ASSY

Measurement condition :
 Video input (playback) signal : 75/0/75/0 color-bar (NTSC)
 Audio input (playback) signal : 1kHz 0dB



F DECB ASSY

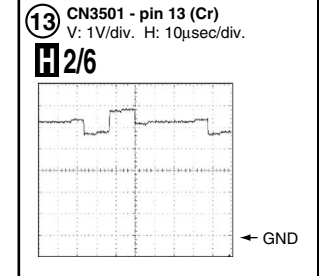
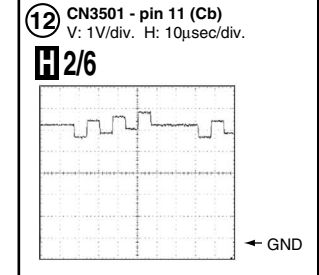
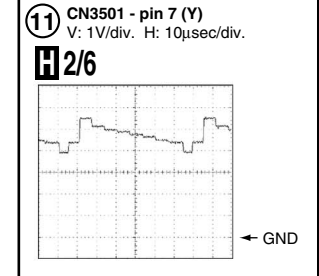
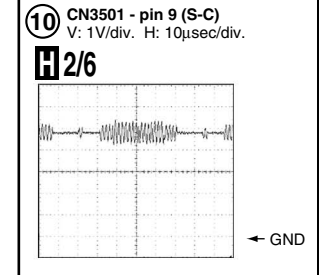
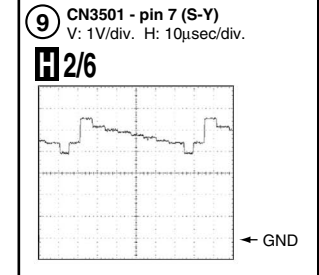
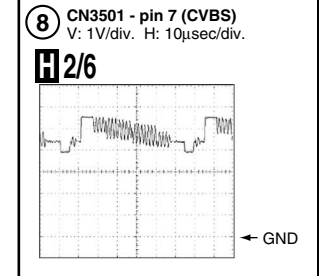
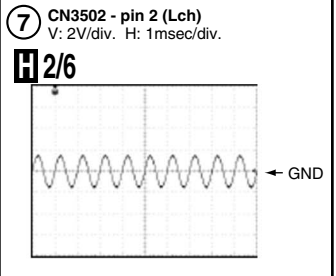
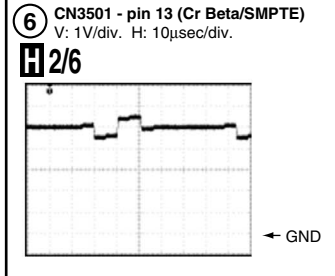
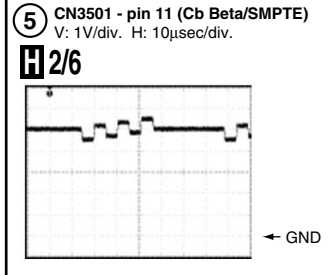
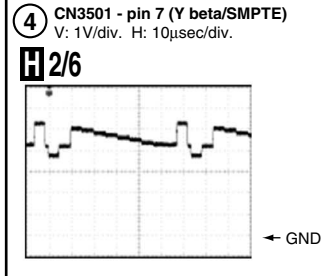
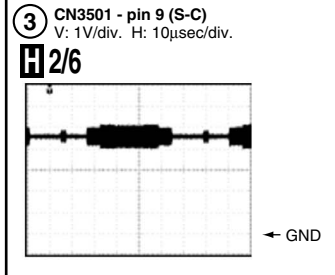
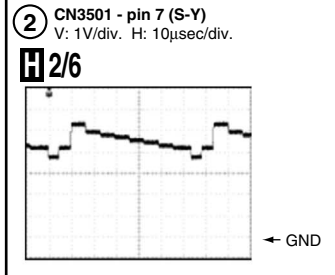
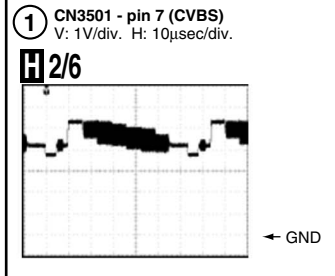
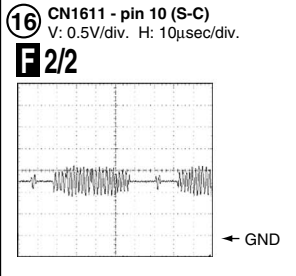
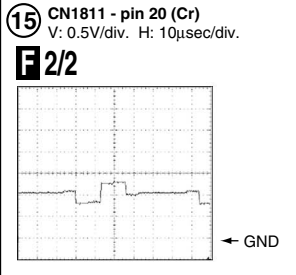
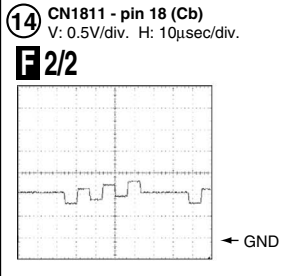
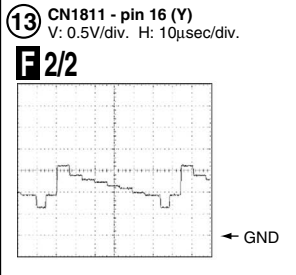
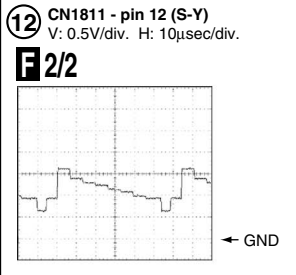
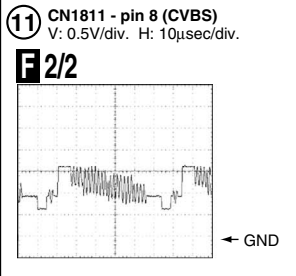
Measurement condition :
Video input (playback) signal :
75/0/75/0 EBU color-bar (PAL)

H AVIB ASSY

Measurement condition :
Video input (playback) signal : 75/0/75/0 color-bar (NTSC)
Audio input (playback) signal : 1kHz OdB

H AVIB ASSY

Measurement condition :
Video input (Recording) signal
100/0/75/0 EBU color-bar (PAL)



■

5

■

6

■

7

■

8

■

A

■

B

■

C

■

D

■

E

■

F

■

5

■

6

PRV-LX10

■

7

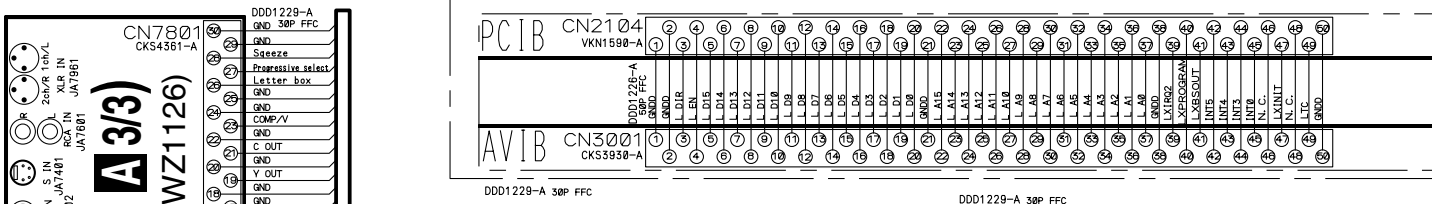
■

8

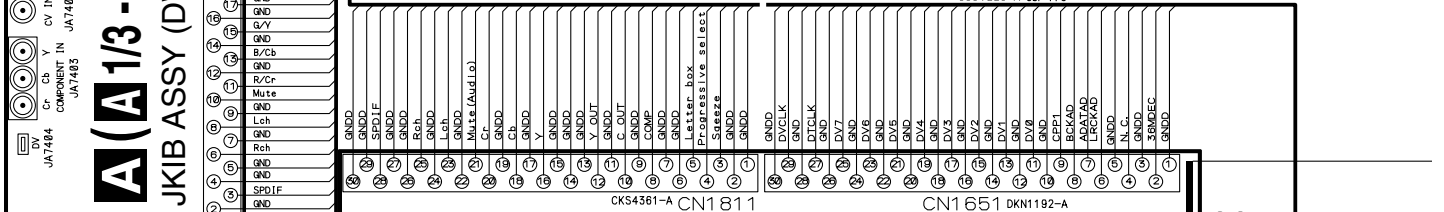
■

3.2 OVERALL WIRING DIAGRAM

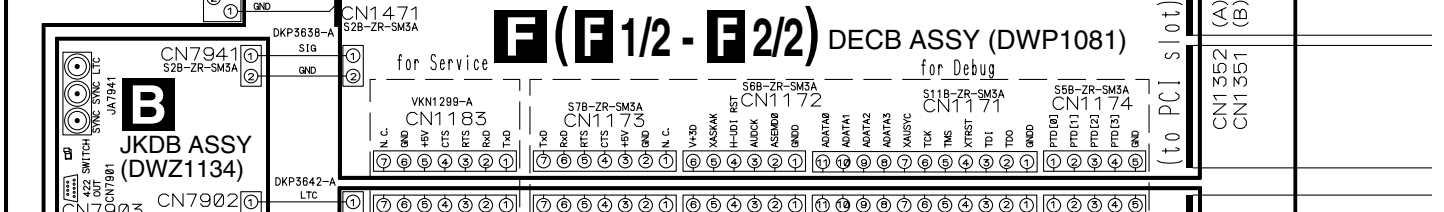
A



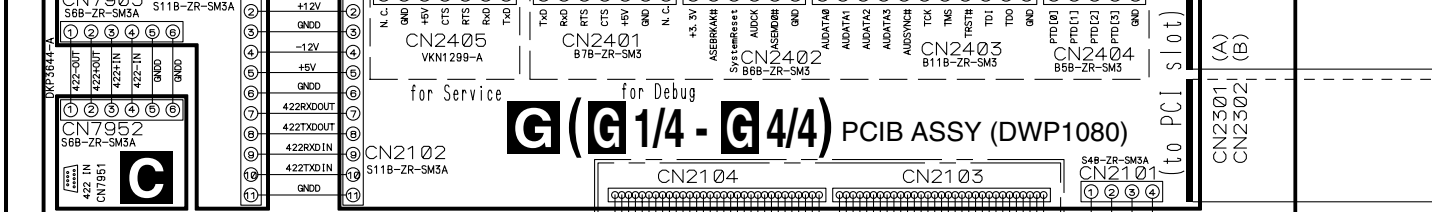
B



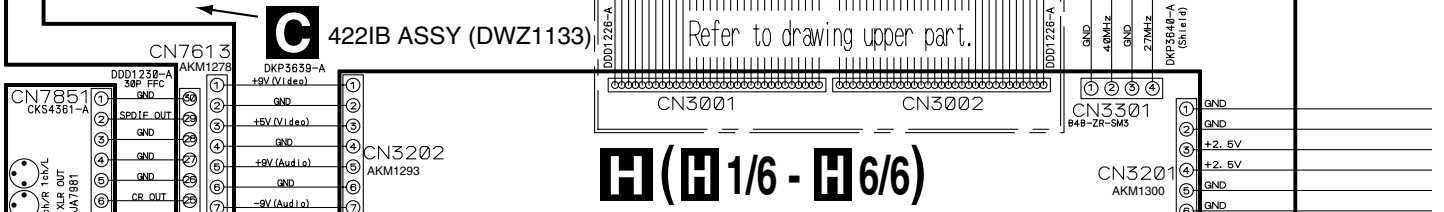
C



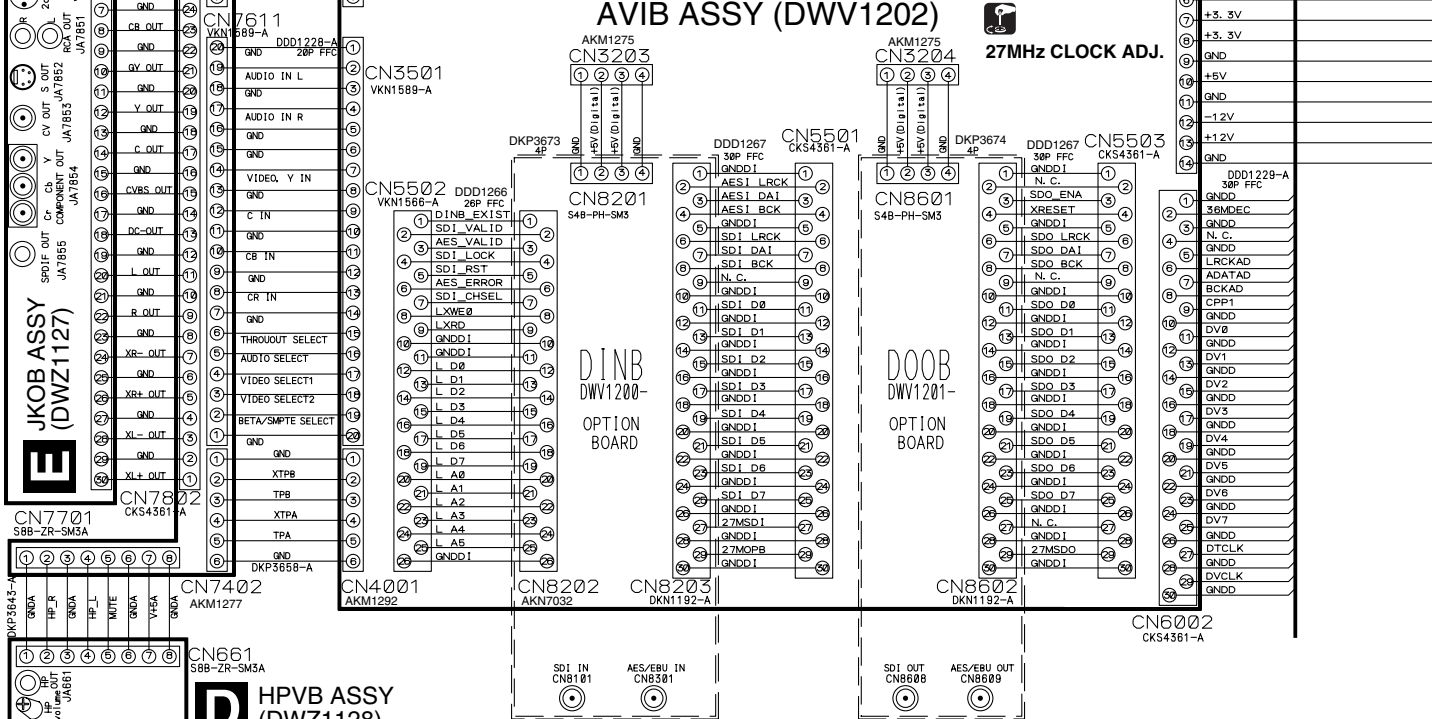
D



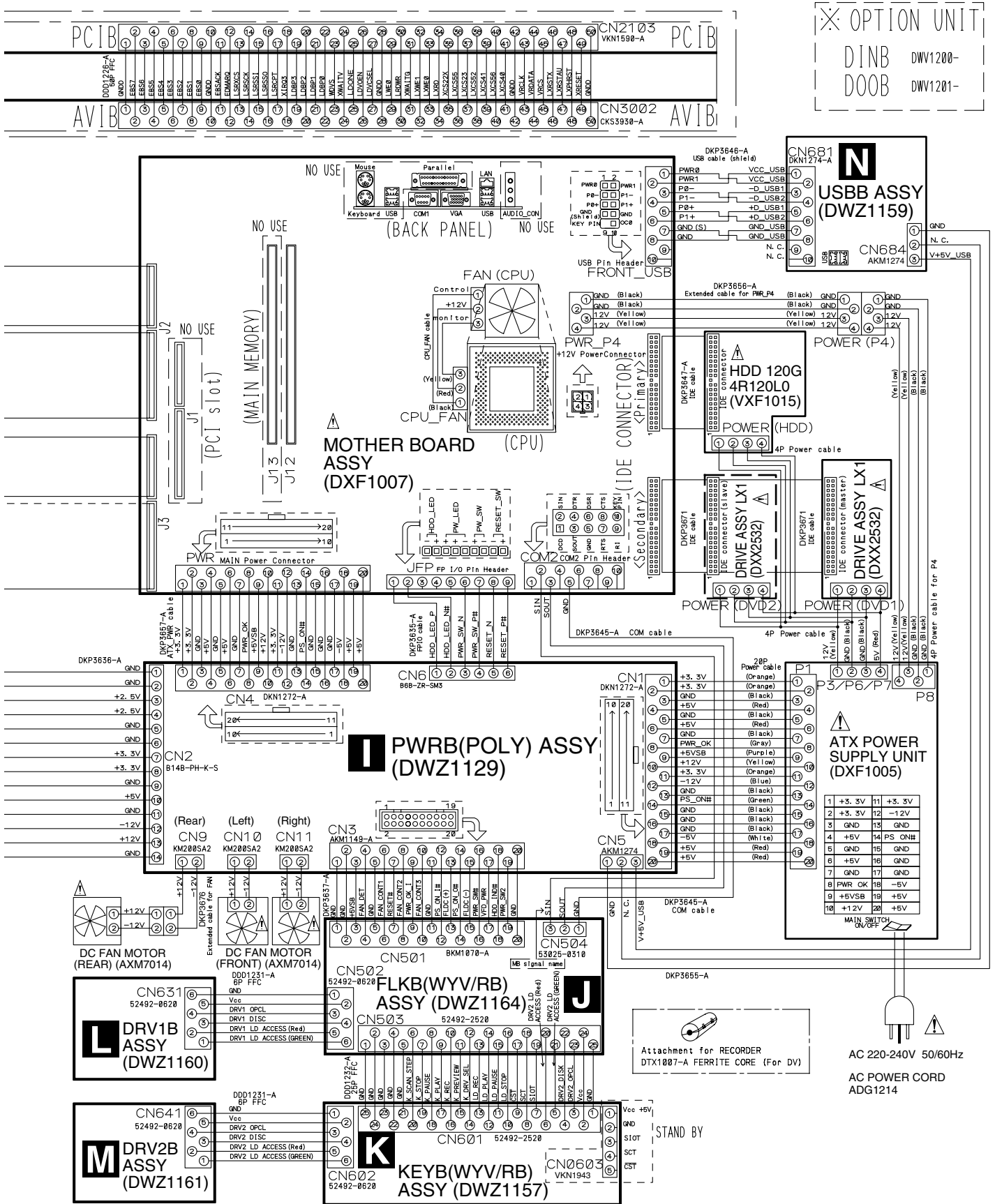
E



F



Note : When ordering service parts, be sure to refer to "EXPLODED VIEWS and PARTS LIST" or "PCB PARTS LIST".



- (R_V) → Recording Signal Route (Composite Video)
- (R_Y) → Recording Signal Route (S-Video_Y)
- (R_C) → Recording Signal Route (S-Video_C)
- (R_GY) → Recording Signal Route (Component_Y)
- (R_Cb) → Recording Signal Route (Component_Cb)
- (R_Cr) → Recording Signal Route (Component_Cr)

- (R_A) → Recording Signal Route (Analog Audio L ch)
- (R_DAV) → Recording Signal Route (Digital Audio/Video)
- (P_DAV) → Playback Signal Route (Digital Audio/Video)

A

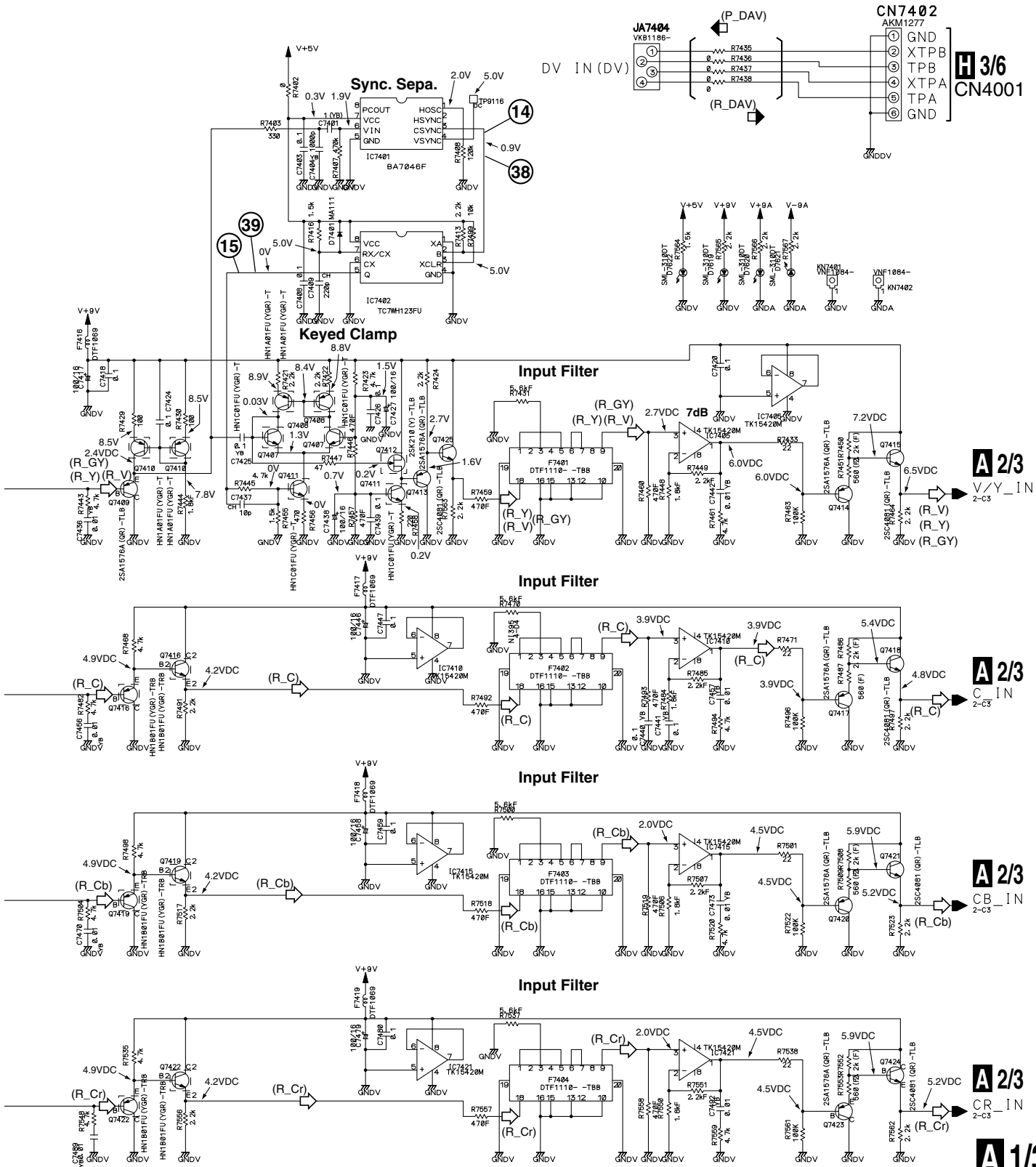
B

C

D

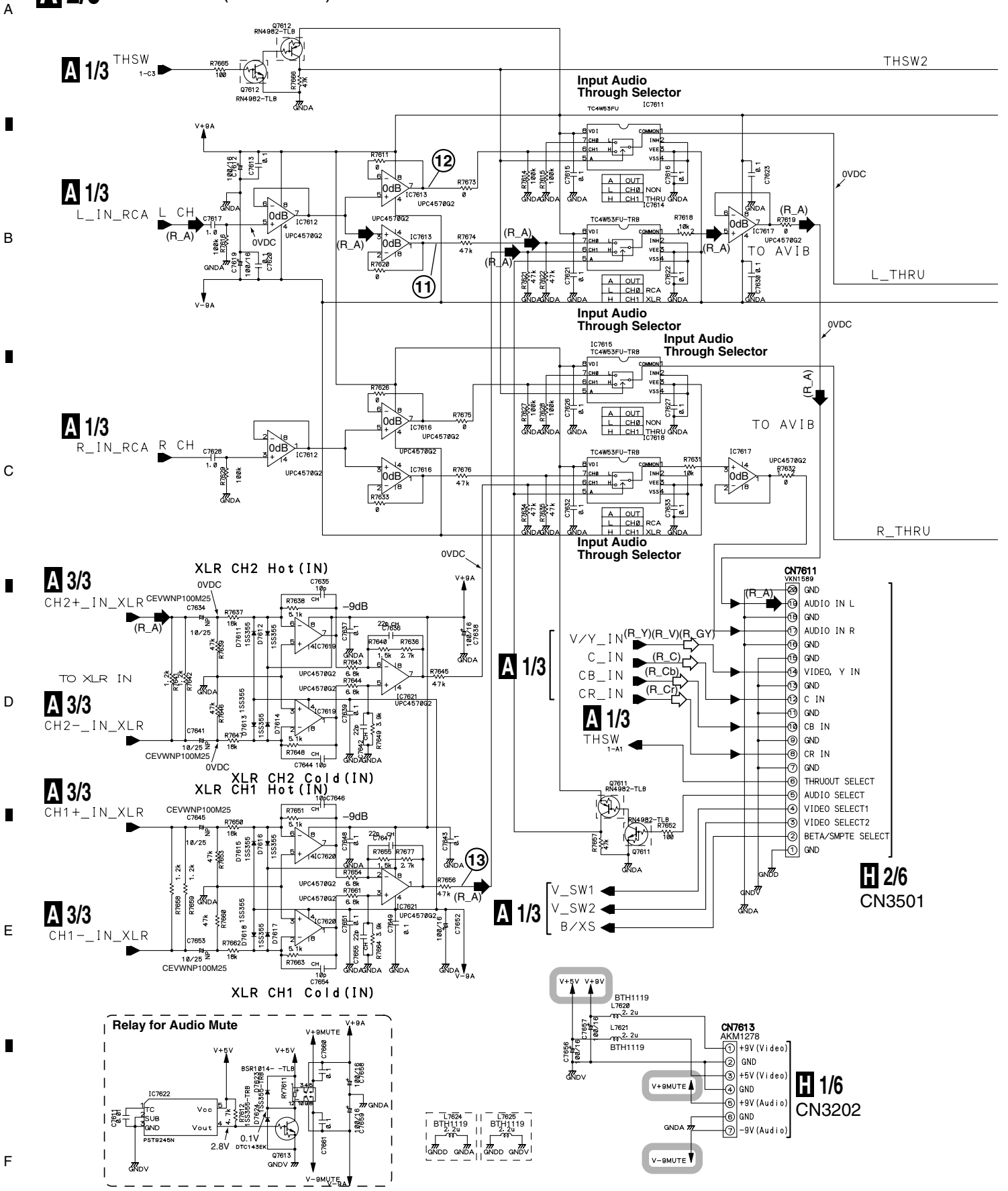
E

F



3.4 JKIB ASSY (2/3)

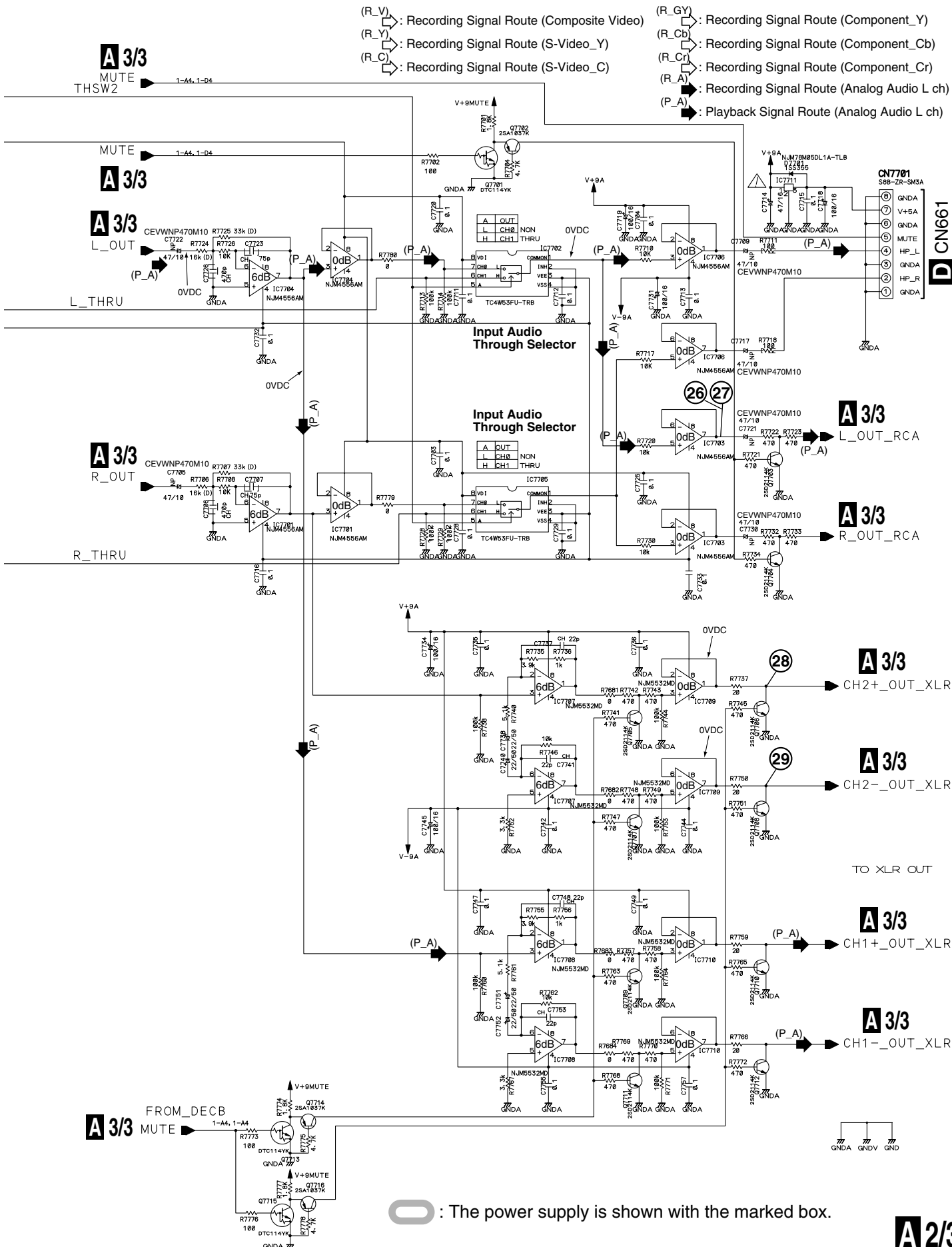
A 2/3 JKIB ASSY (DWZ1126)



A 2/3

(R_V) : Recording Signal Route (Composite Video)
 (R_Y) : Recording Signal Route (S-Video_Y)
 (R_C) : Recording Signal Route (S-Video_C)

(R_GY) : Recording Signal Route (Component_Y)
 (R_Cb) : Recording Signal Route (Component_Cb)
 (R_Cr) : Recording Signal Route (Component_Cr)
 (R_A) : Recording Signal Route (Analog Audio L ch)
 (P_A) : Playback Signal Route (Analog Audio L ch)

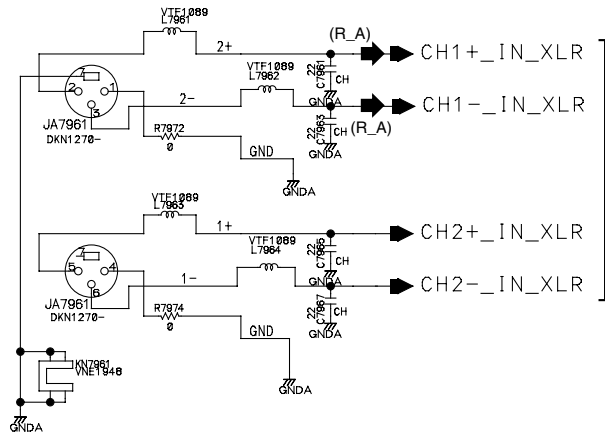


○ : The power supply is shown with the marked box.

3.5 JKIB ASSY (3/3)

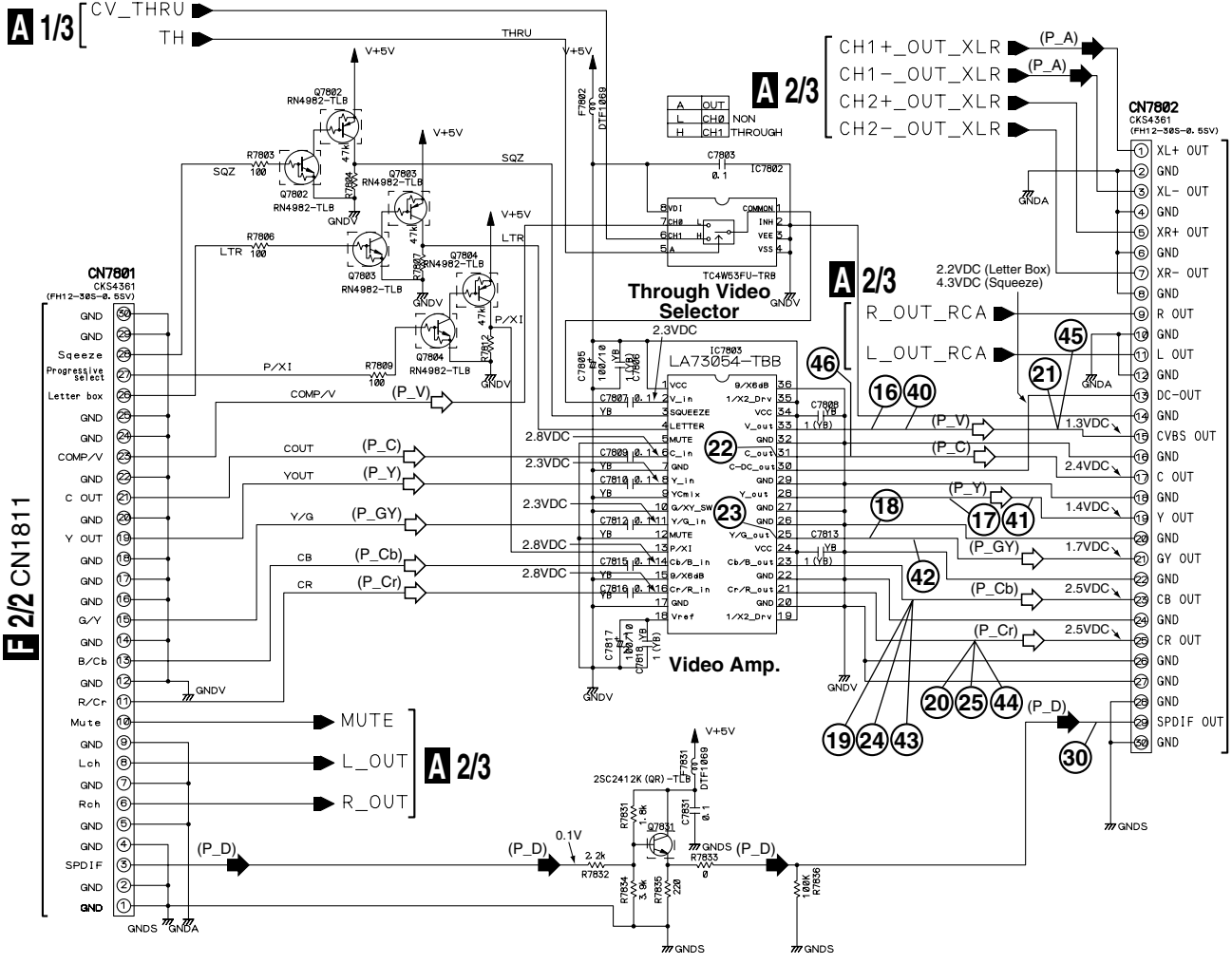
A 3/3 JKIB ASSY (DWZ1126)

- (P_V) : Playback Signal Route (Composite Video)
- (P_Y) : Playback Signal Route (S-Video_Y)
- (P_C) : Playback Signal Route (S-Video_C)
- (P_GY) : Recording Signal Route (Component_Y)
- (P_Cb) : Playback Signal Route (Component_Cb)
- (P_Cr) : Playback Signal Route (Component_Cr)
- (R_A) : Recording Signal Route (Analog Audio L ch)
- (P_A) : Playback Signal Route (Analog Audio L ch)
- (P_D) : Playback Signal Route (Digital Audio)



A 2/3

A 1/3



F 2/2 CN1811

E CN7851

A 3/3

■

5

■

6

■

7

■

8

■

A

■

B

■

C

■

D

■

E

■

F

■

5

■

6

PRV-LX10

■

7

■

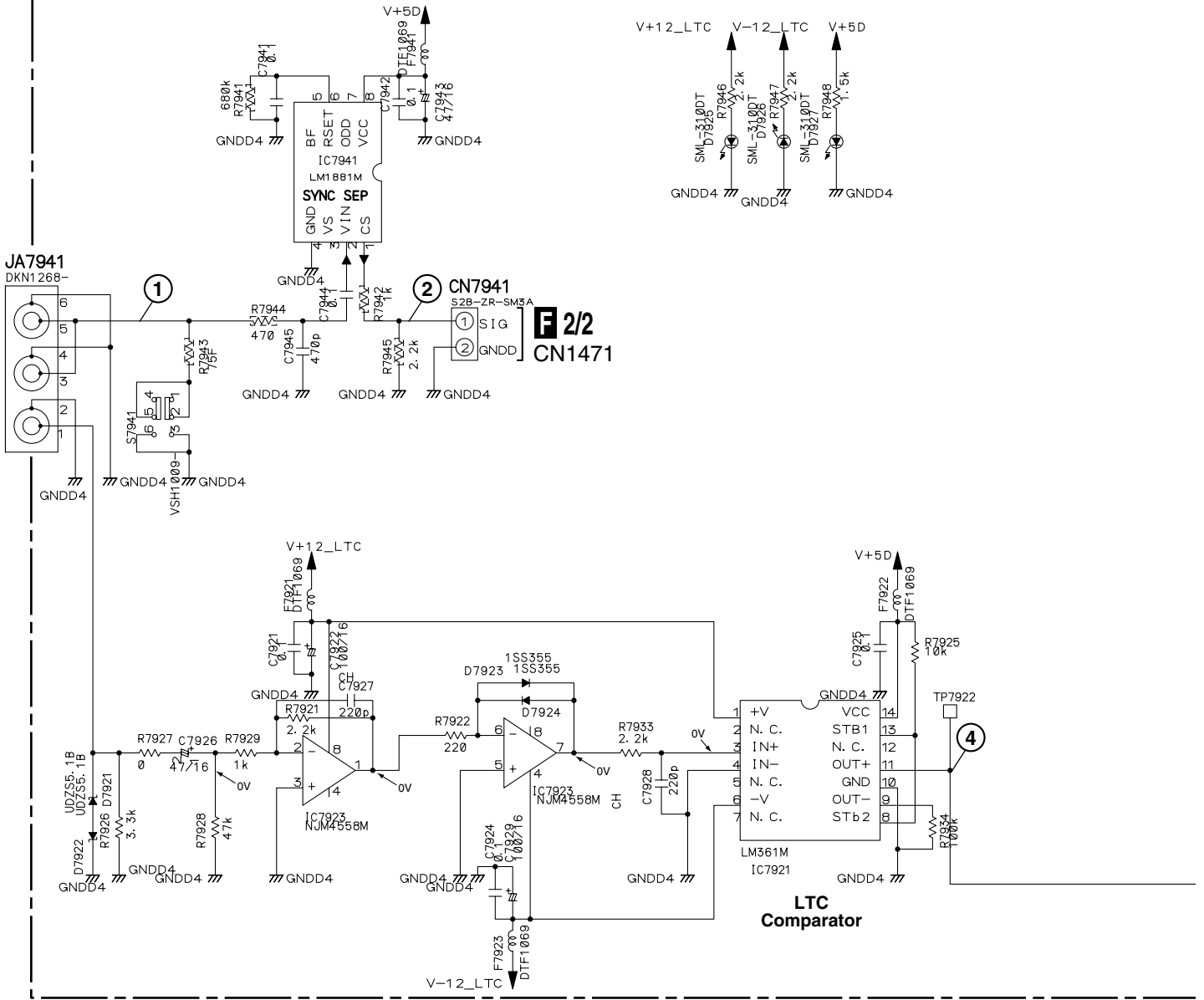
8

■

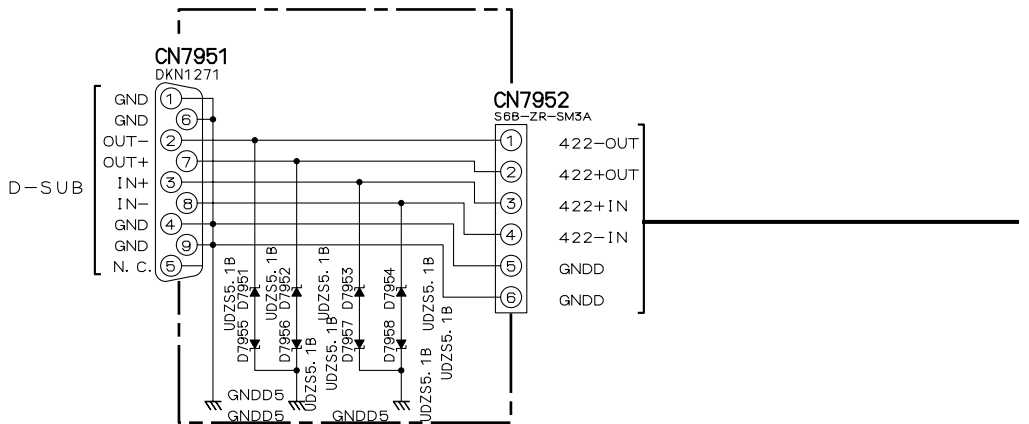
3.6 JKDB and 422IB ASSYS

1 2 3 4

A JKDB ASSY (DWZ1134)

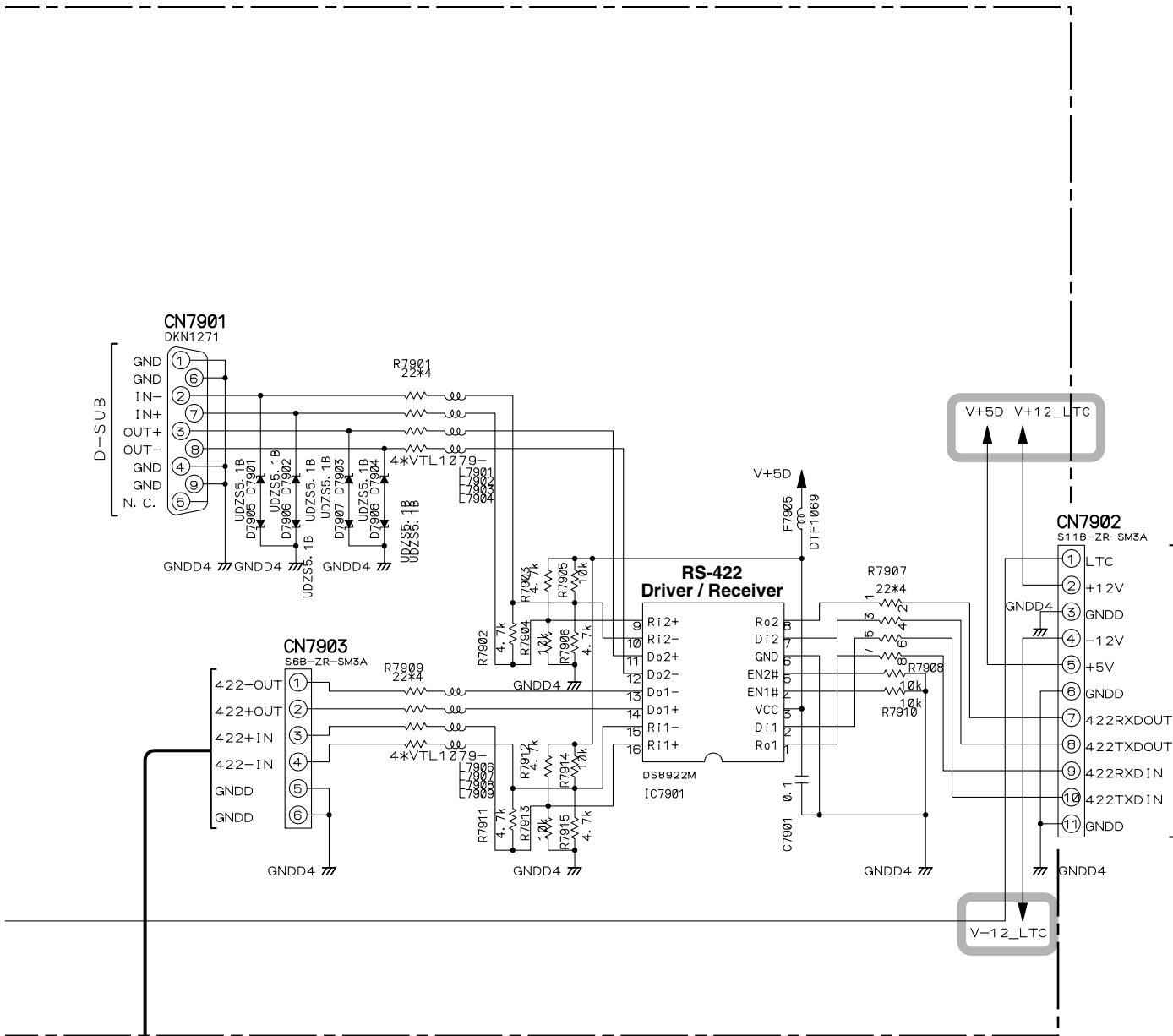



C 422IB ASSY (DWZ1133)



B C

1 2 3 4



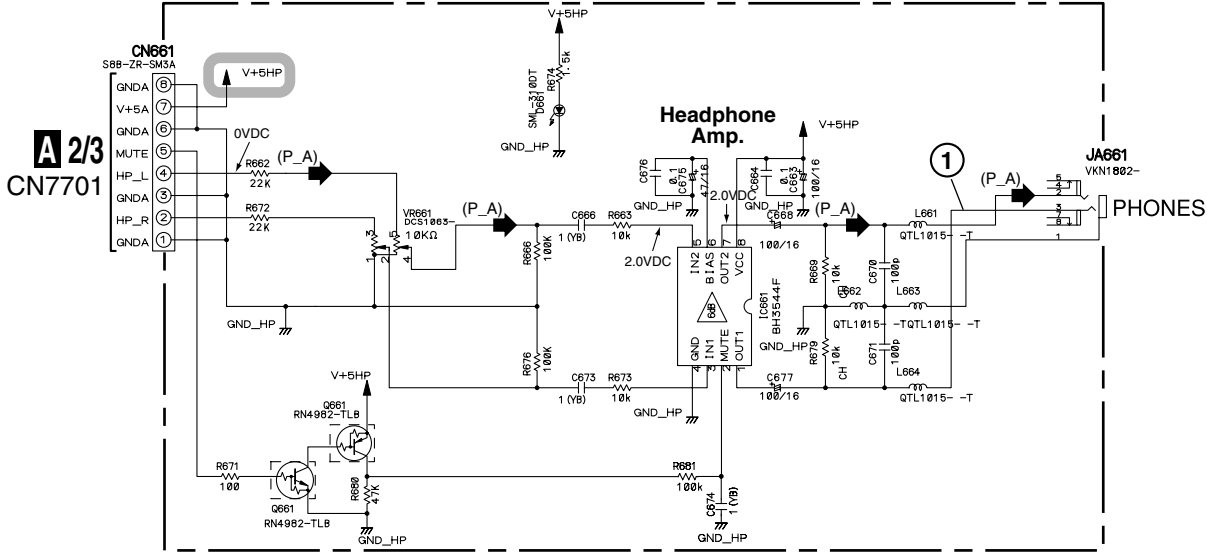
 : The power supply is shown with the marked box.


G 2/4 CN2102

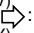
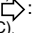
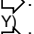
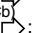
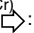
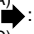


B

3.7 HPVB and JKOB ASSYS

D HPV B ASSY (DWZ1128)

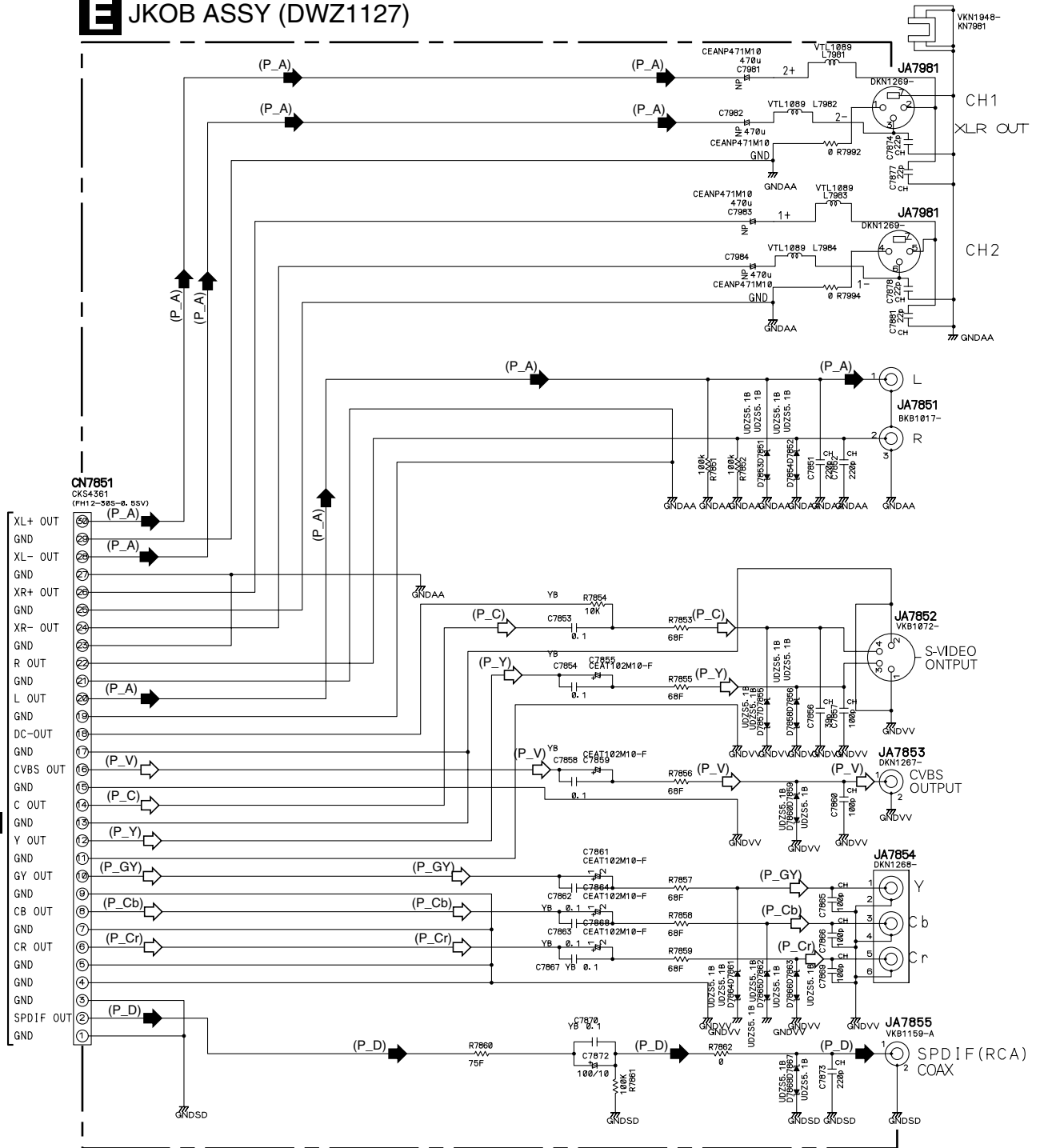


 : The power supply is shown with the marked box.

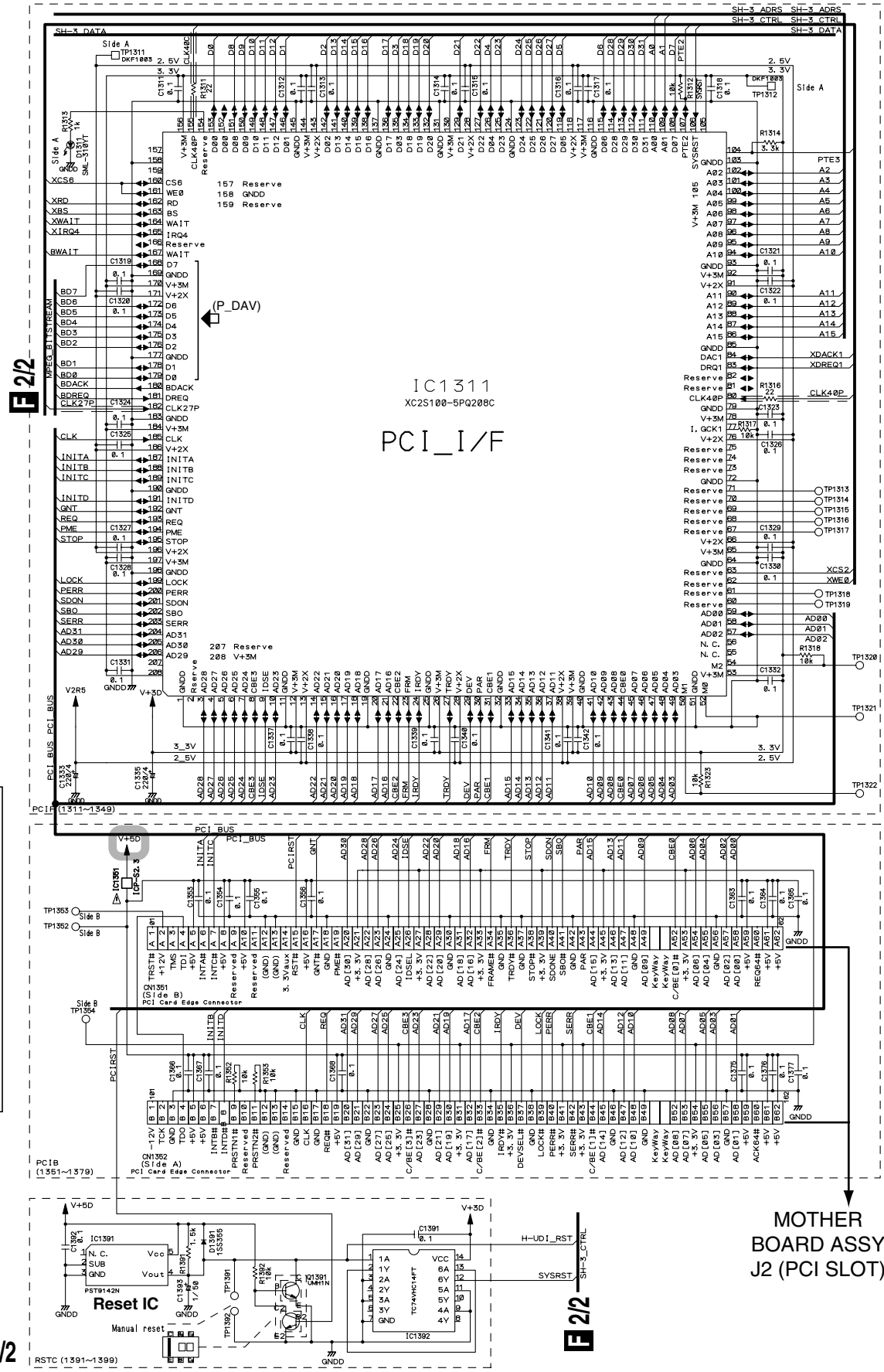
- (P_V)  : Playback Signal Route (Composite Video)
- (P_Y)  : Playback Signal Route (S-Video_Y)
- (P_C)  : Playback Signal Route (S-Video_C)
- (P_GY)  : Playback Signal Route (Component_Y)
- (P_Cb)  : Playback Signal Route (Component_Cb)
- (P_Cr)  : Playback Signal Route (Component_Cr)
- (P_A)  : Playback Signal Route (Analog Audio L ch)
- (P_D)  : Playback Signal Route (Digital Audio)

E JKOBO ASSY (DWZ1127)

A 3/3 CN7802



(P_DAV) : Playback Signal Route (Digital Audio/Video)



CAUTION : FOR CONTINUED PROTECTION AGAINST RISK OF FIRE, REPLACE ONLY WITH SAME TYPE NO. ICP-S2.3, MFD BY ROHM CO., LTD. FOR IC1351.

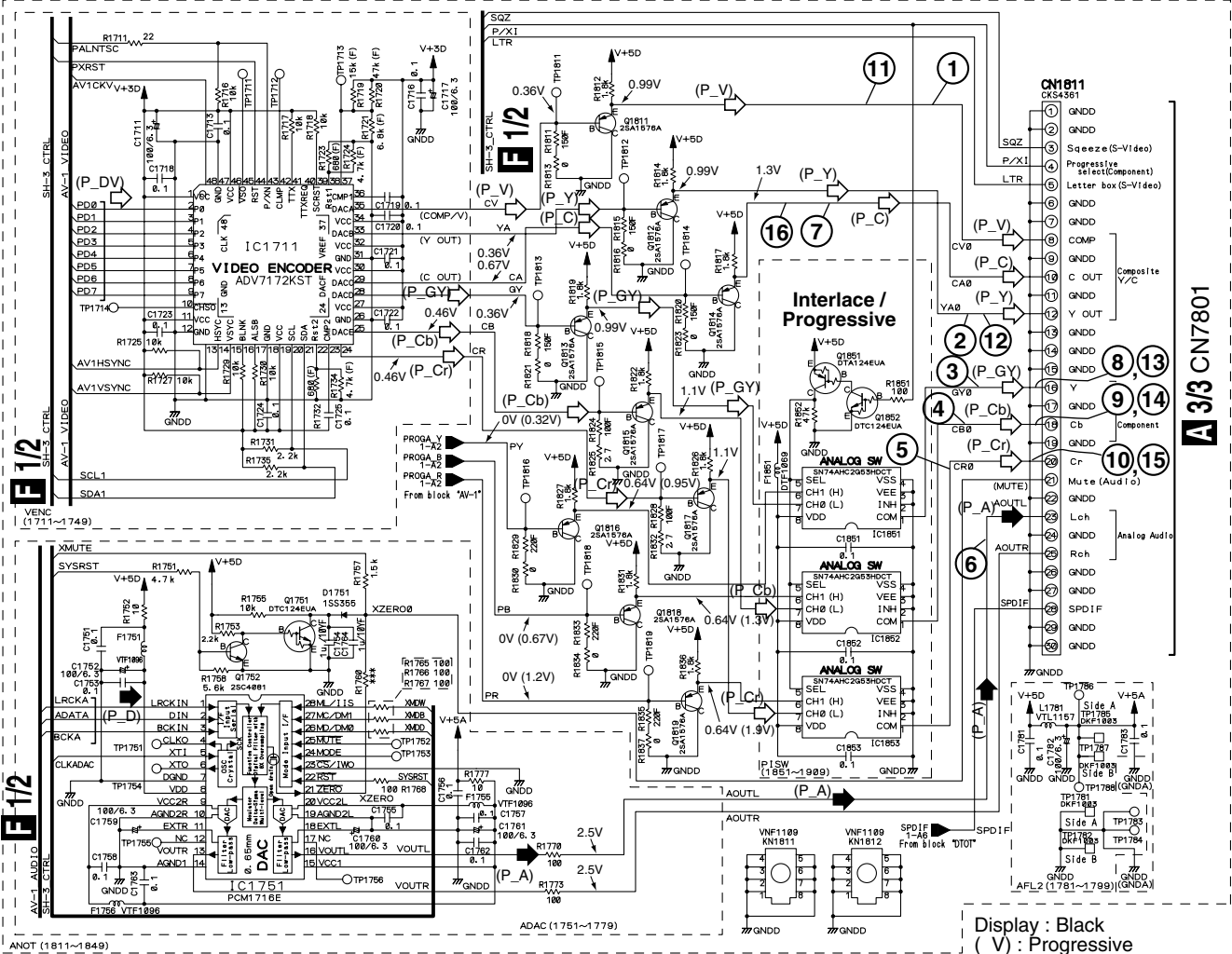
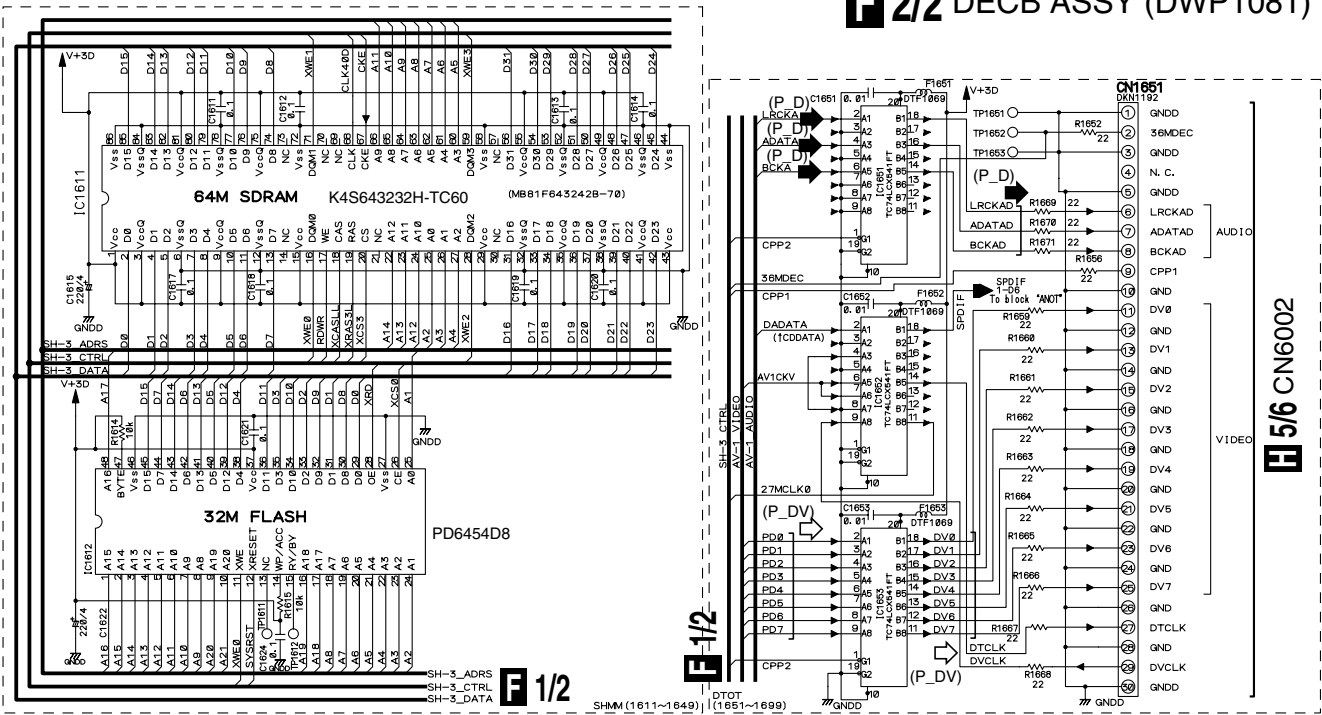
MOTHER BOARD ASSY J2 (PCI SLOT)

The power supply is shown with the marked box.

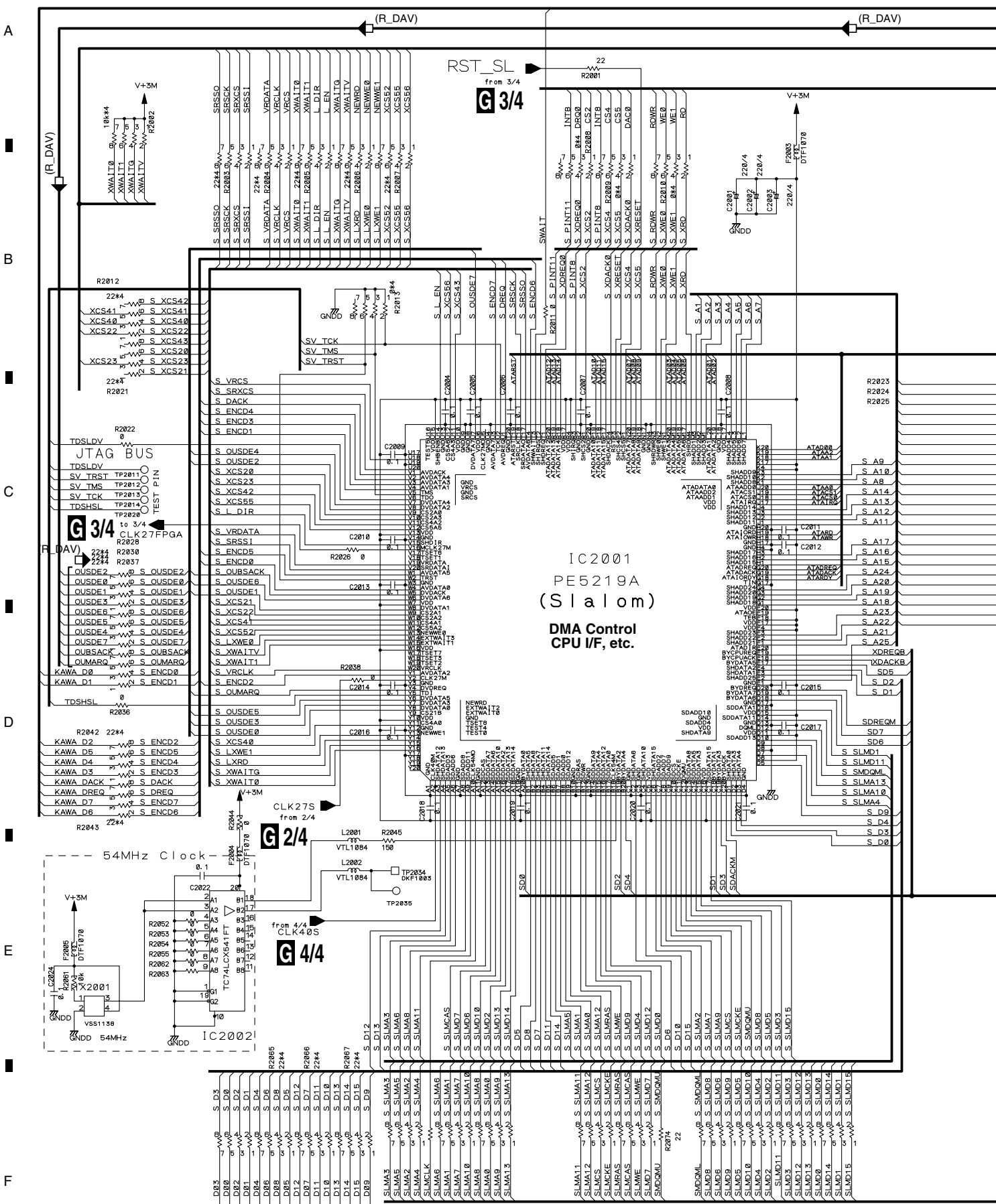
PRV-LX10

1/2

F 2/2 DECB ASSY (DWP1081)

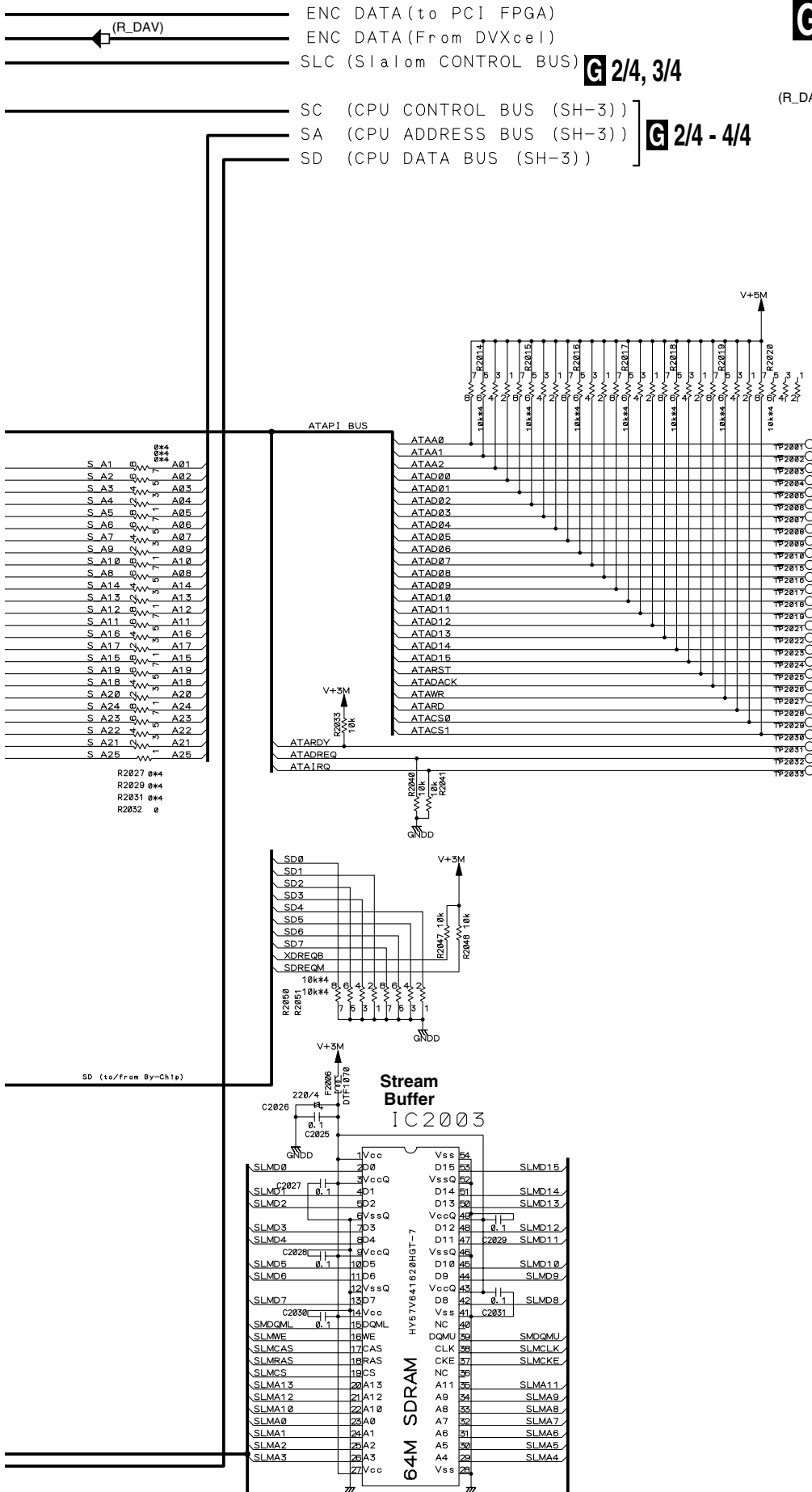


3.10 PCIB ASSY (1/4)



G 1/4

G1/4 PCIB ASSY (DWP1080)



A

B

C

D

E

F

3.11 PCIB ASSY (2/4)

1

2

3

4

A

B

C

D

E

F

G 3/4

G 1/4, 3/4, 4/4

G 1/4, 3/4

G 1/4, 3/4, 4/4

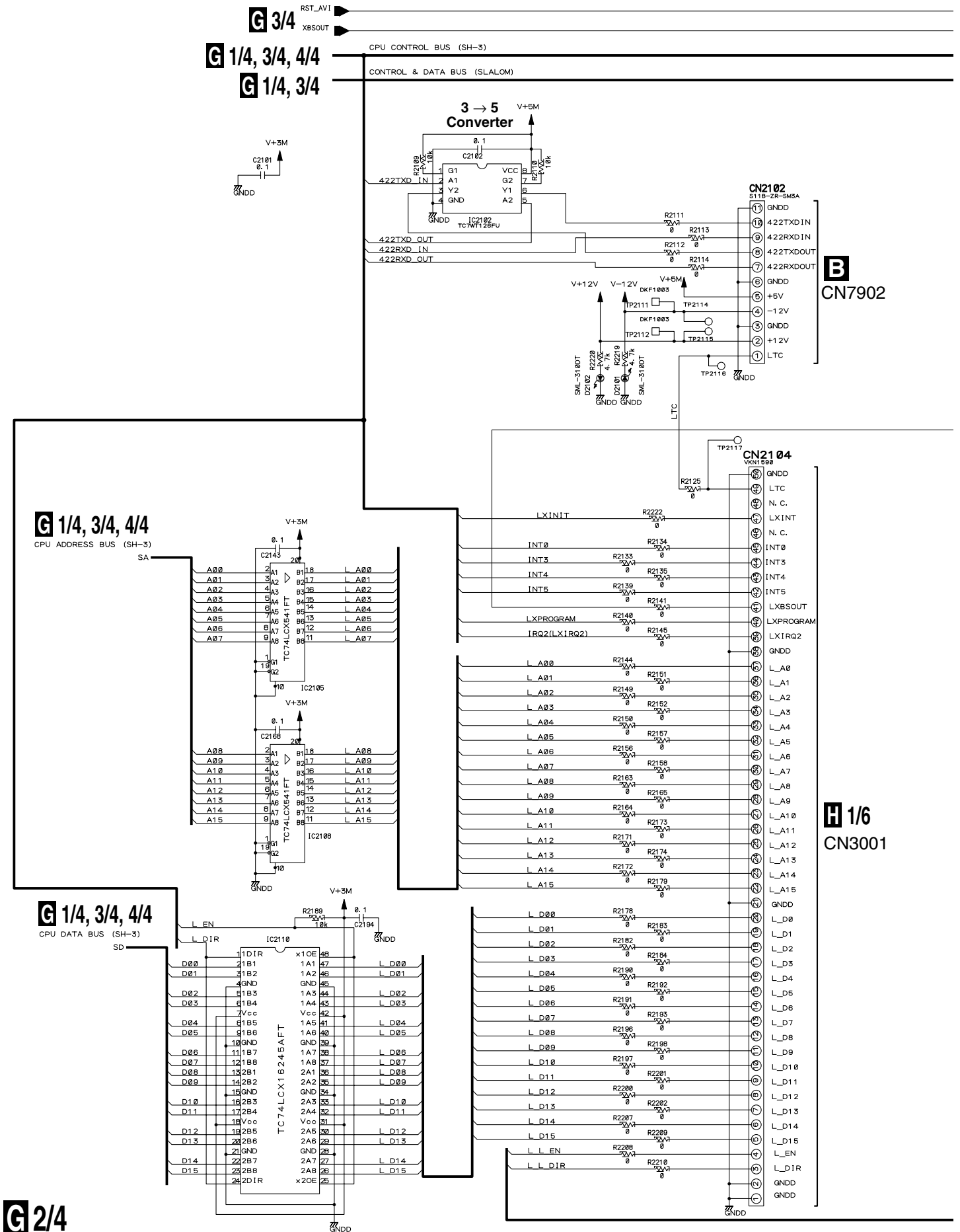
CPU ADDRESS BUS (SH-3)

SA

G 1/4, 3/4, 4/4

CPU DATA BUS (SH-3)

SD



B CN7902

H 1/6 CN3001

1

2

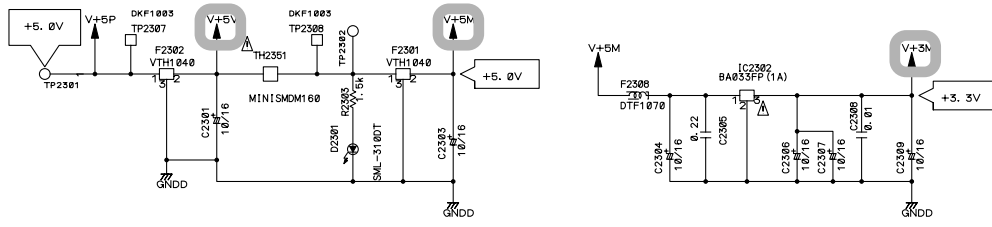
3

4

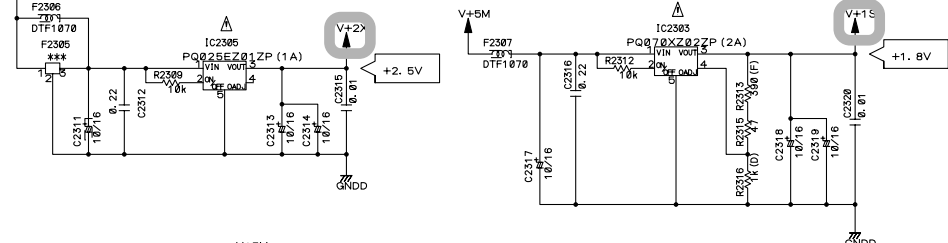
3.12 PCIB ASSY (3/4)

G 3/4 PCIB ASSY (DWP1080)

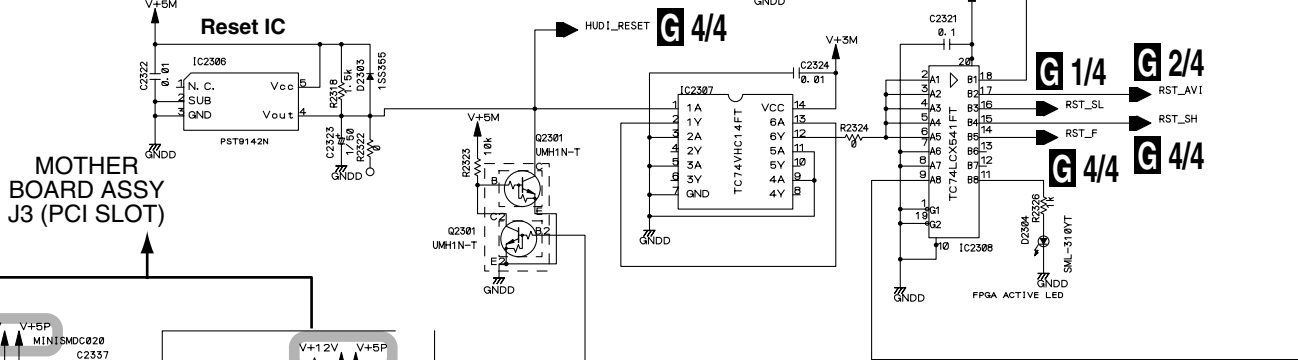
A



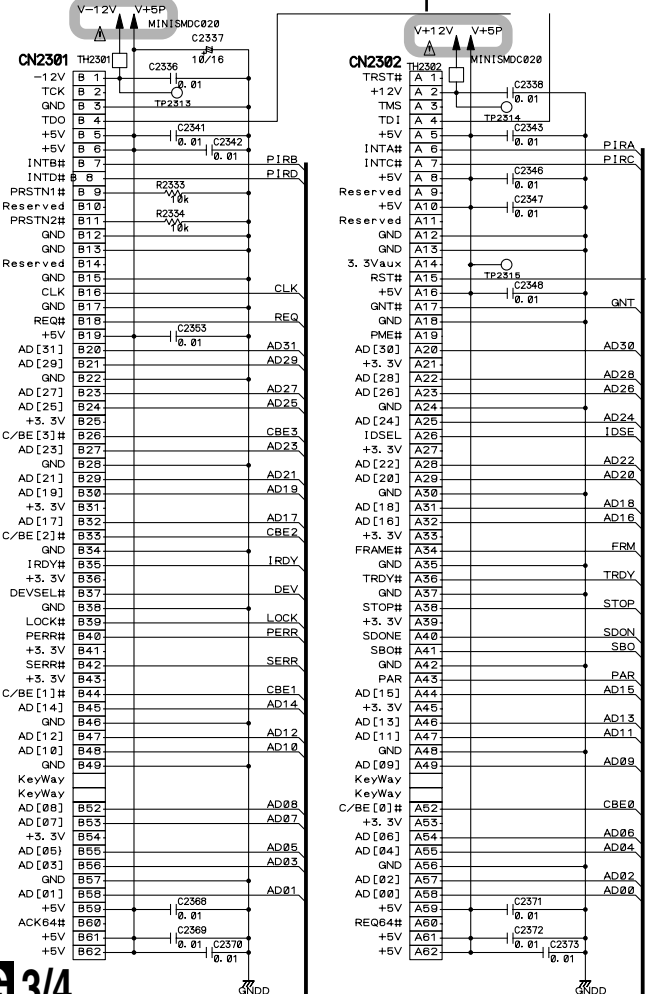
B



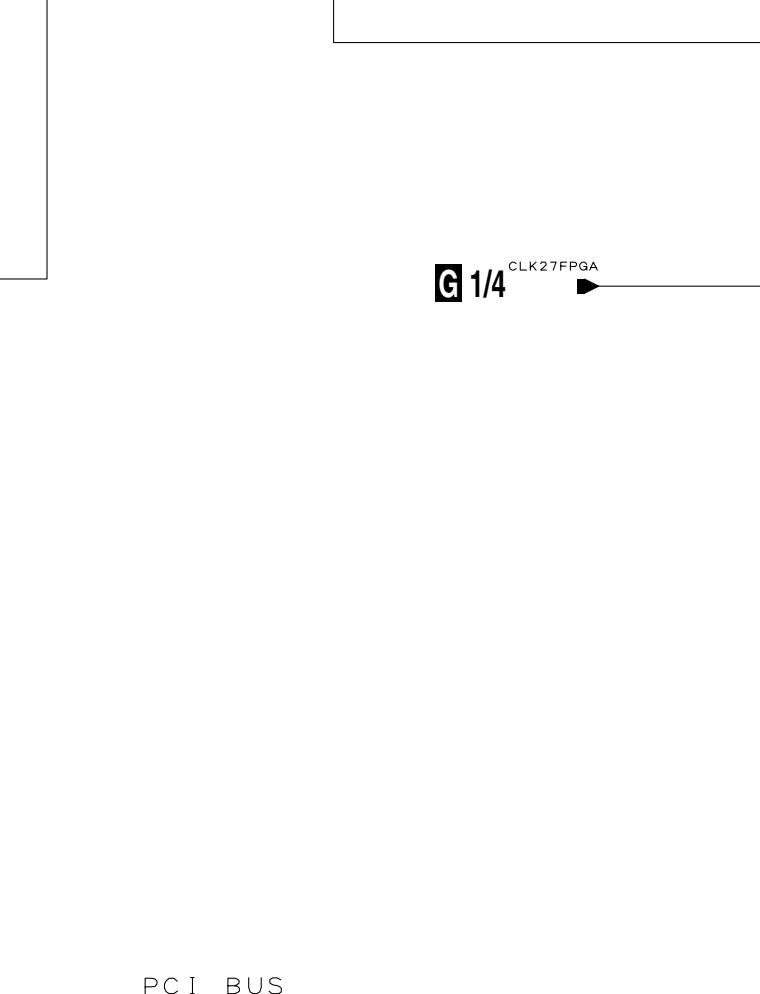
C



D

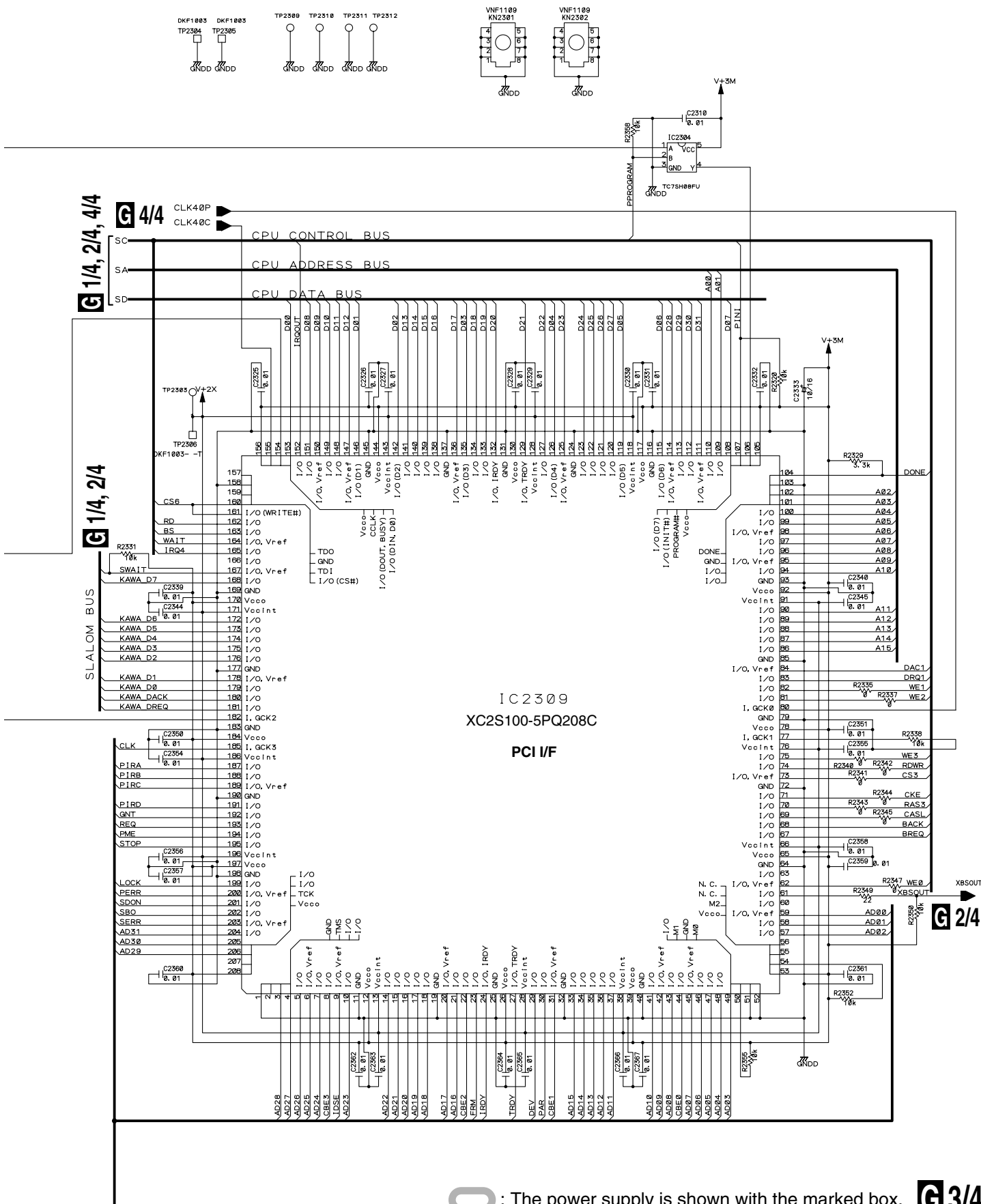


F



PCI BUS

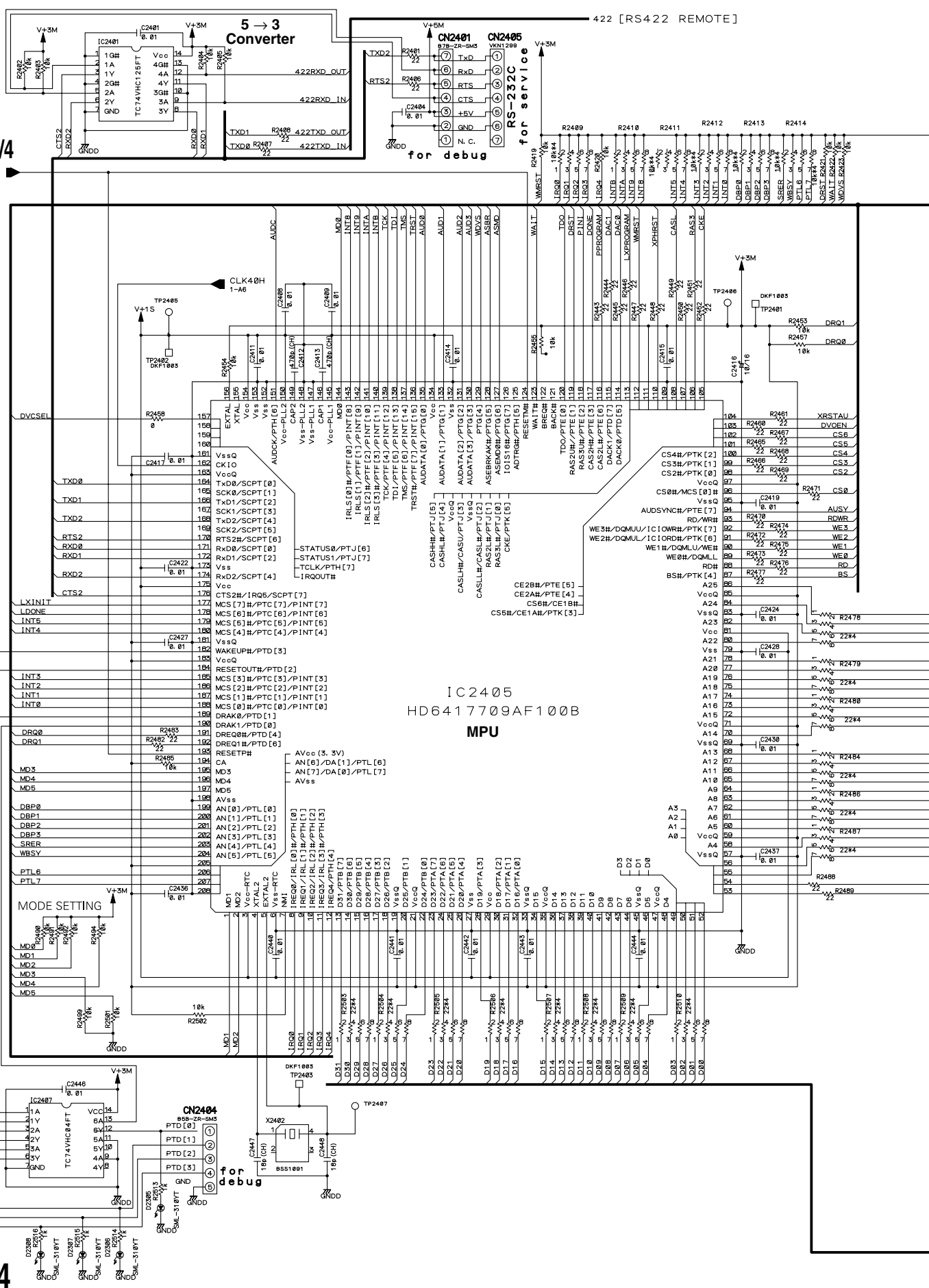
G 3/4



: The power supply is shown with the marked box. **G 3/4**

PRV-LX10

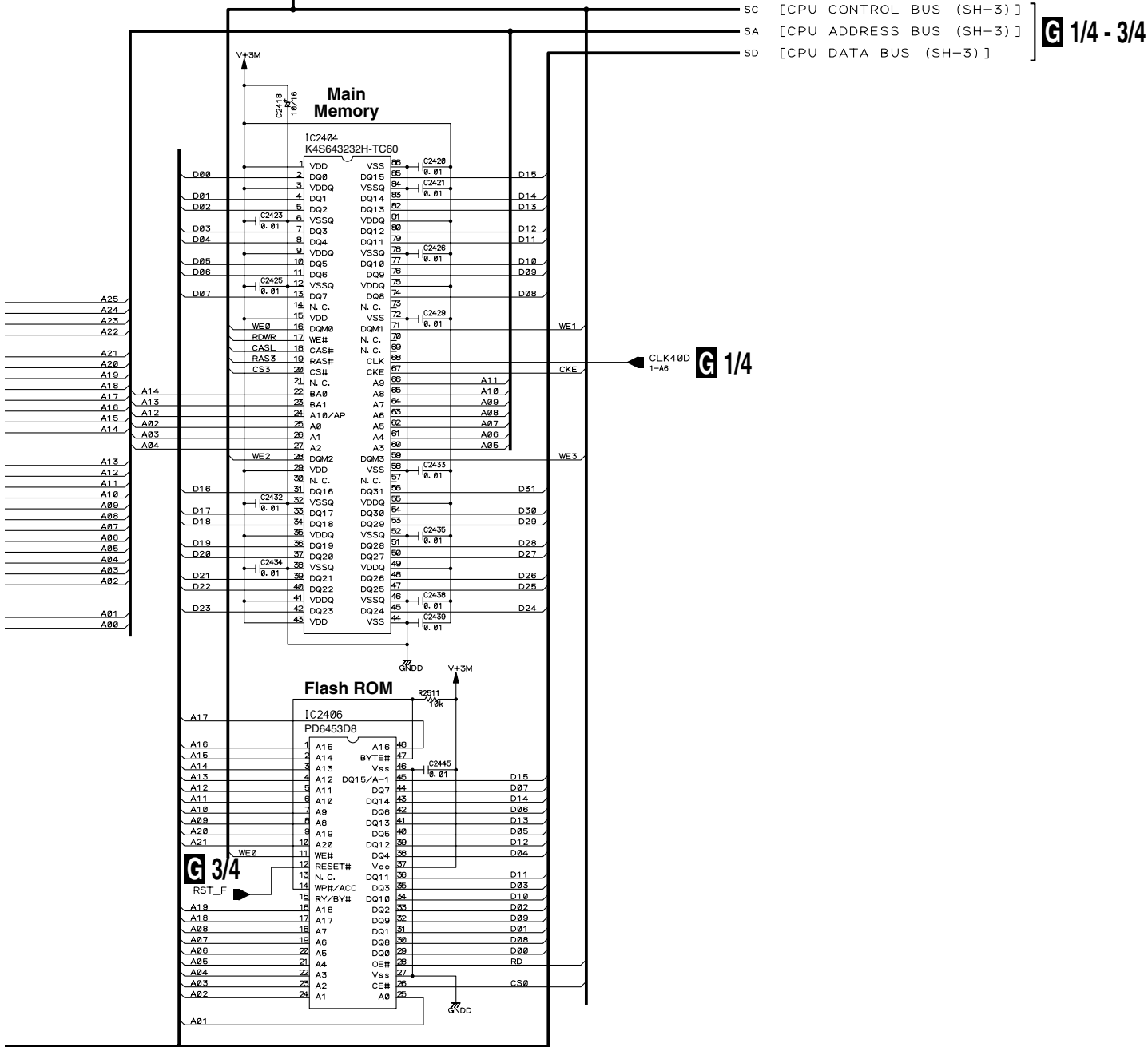
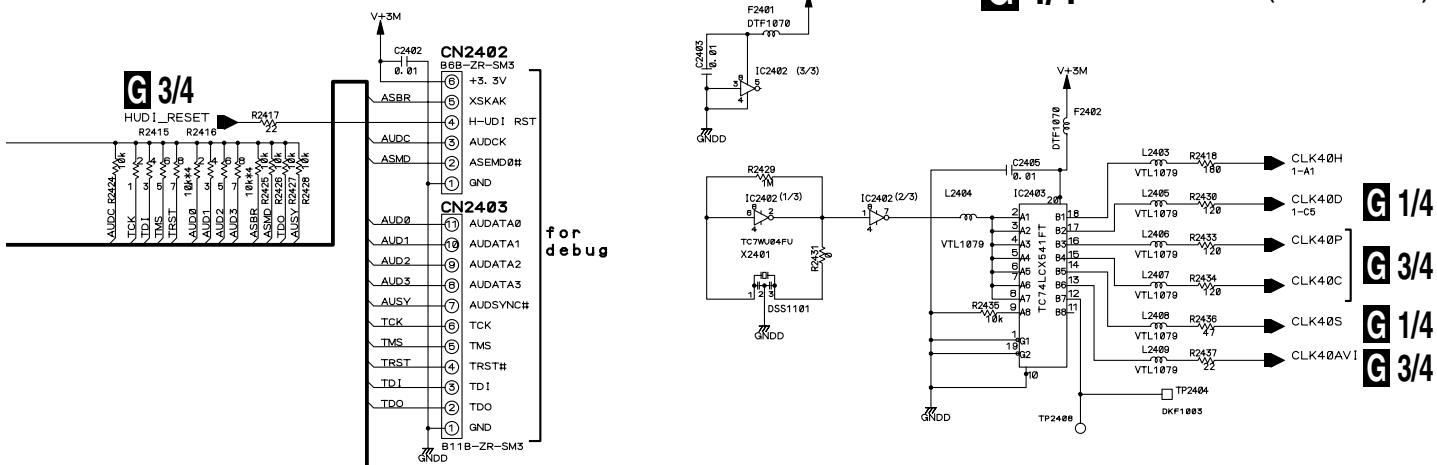
3.13 PCIB ASSY (4/4)



G 3/4
RST_SH

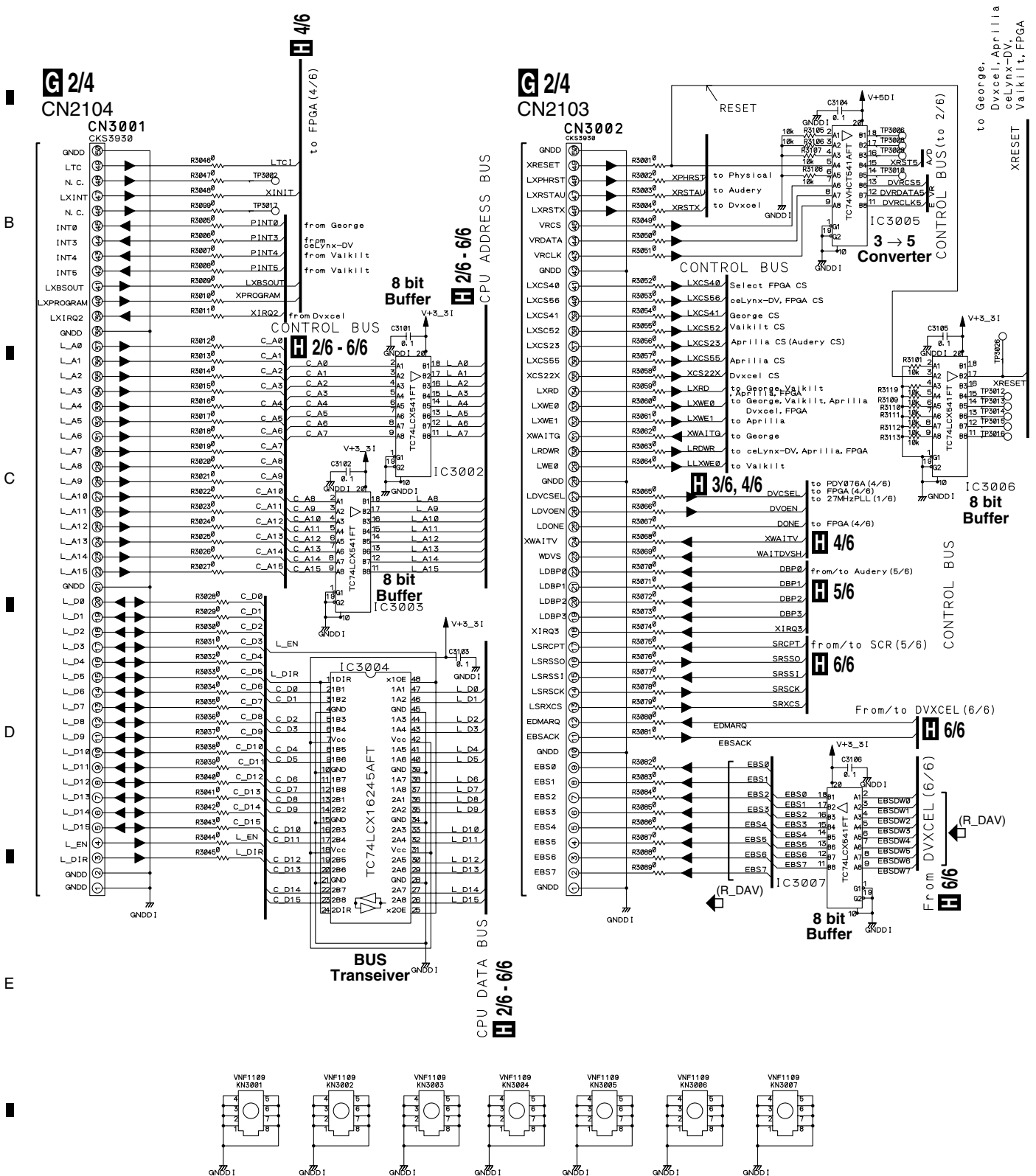
G 4/4

G 4/4 PCIB ASSY (DWP1080)



3.14 AVIB ASSY (1/6)

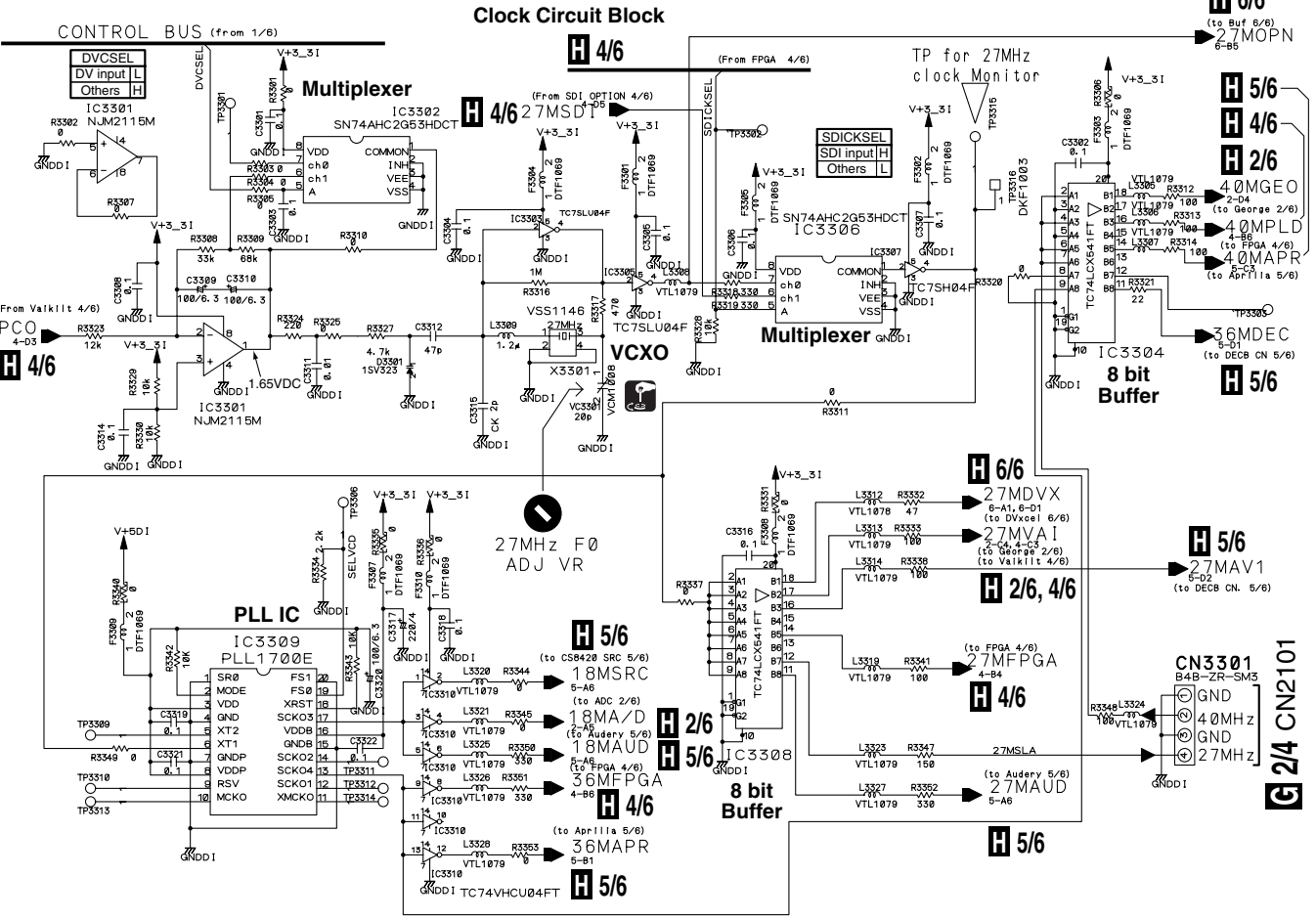
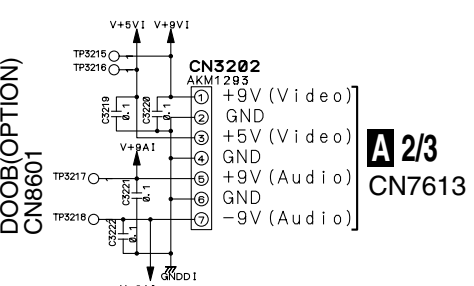
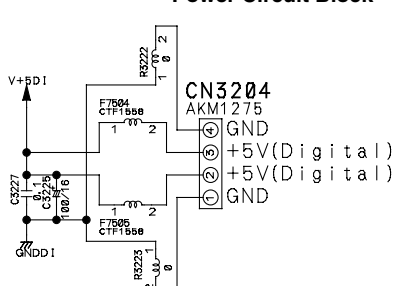
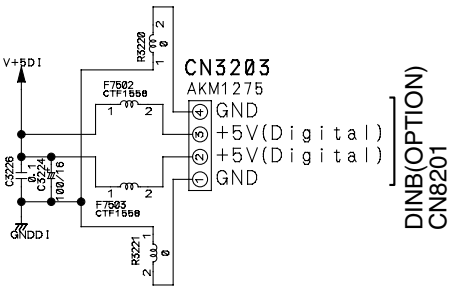
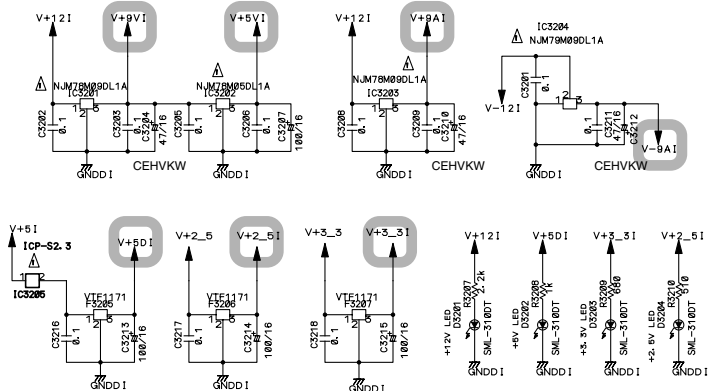
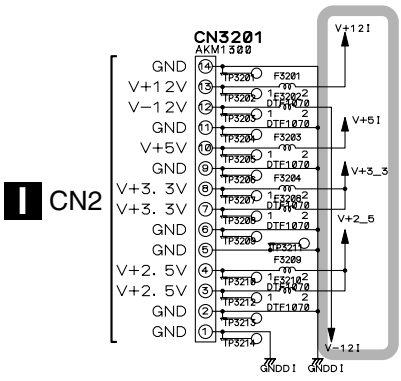
1/6 AVIB ASSY (DWV1202)



1/6

CAUTION : FOR CONTINUED PROTECTION AGAINST RISK OF FIRE, REPLACE ONLY WITH SAME TYPE NO. ICP-S2.3, MFD BY ROHM CO., LTD. FOR IC3205.

(R_DAV) : Recording Signal Route (Digital Audio/Video)

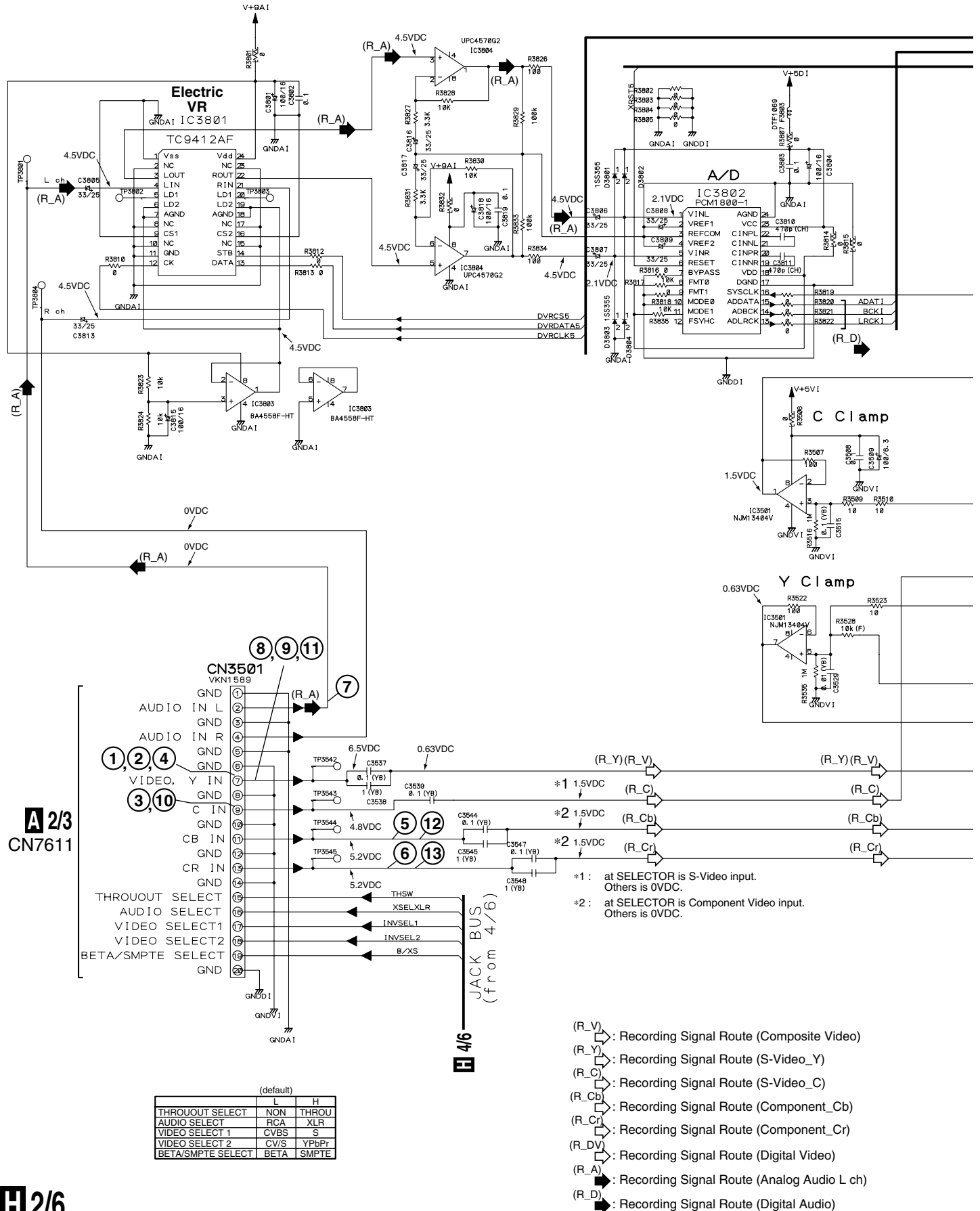


: The power supply is shown with the marked box.

1/6

3.15 AVIB ASSY (2/6)

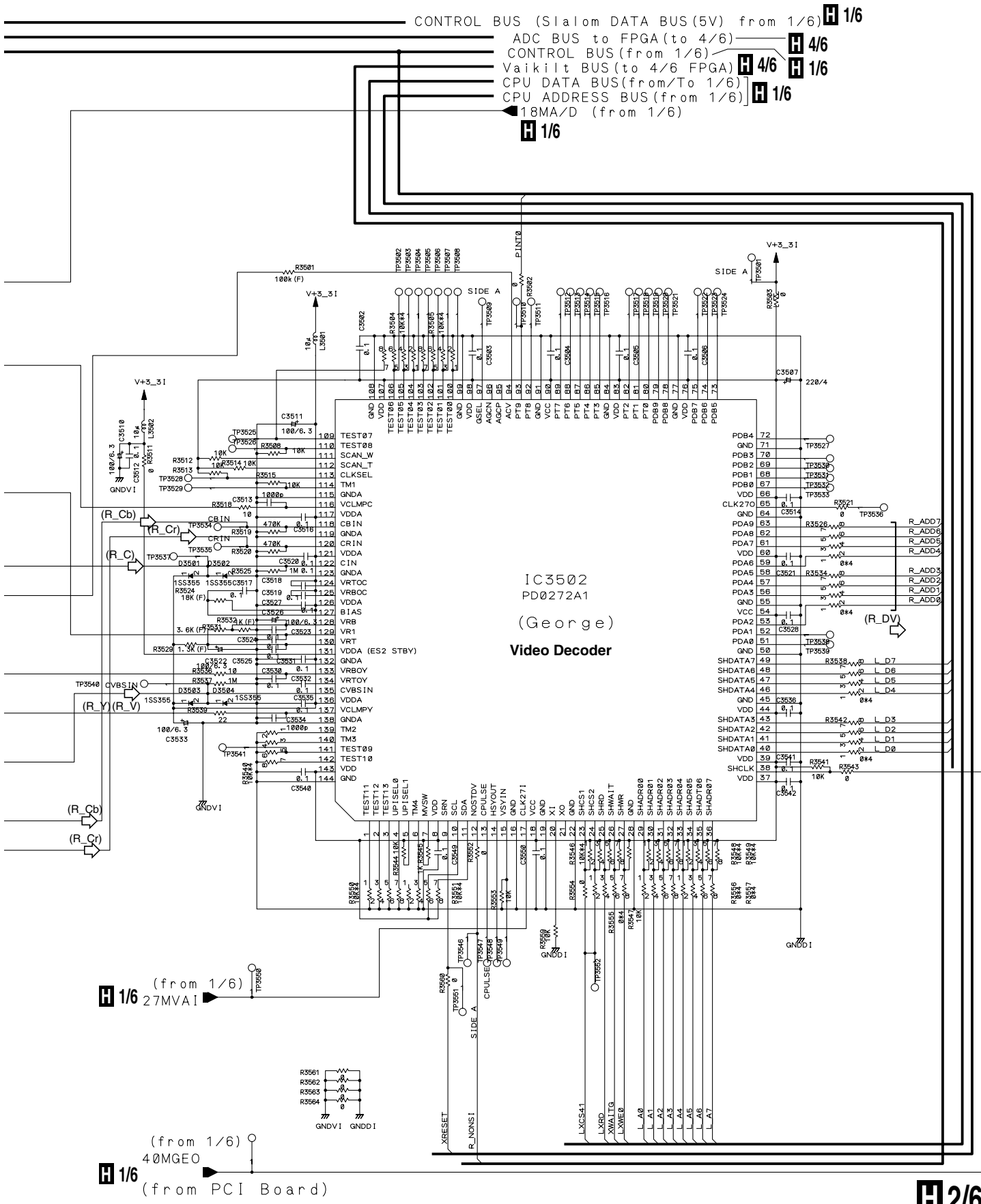
H 2/6 AVIB ASSY (DWV1202)



	(default)	L	H
THROUGHOUT SELECT	NON	THROU	
AUDIO SELECT	RCA	XLR	
VIDEO SELECT 1	CVBS	S	
VIDEO SELECT 2	CV/S	YPbPr	
BETA/SMPT SELECT	BETA	SMPT	

- (R_V) : Recording Signal Route (Composite Video)
- (R_Y) : Recording Signal Route (S-Video_Y)
- (R_C) : Recording Signal Route (S-Video_C)
- (R_Cb) : Recording Signal Route (Component_Cb)
- (R_Cr) : Recording Signal Route (Component_Cr)
- (R_DV) : Recording Signal Route (Digital Video)
- (R_A) : Recording Signal Route (Analog Audio L ch)
- (R_D) : Recording Signal Route (Digital Audio)

A
B
C
D
E
F



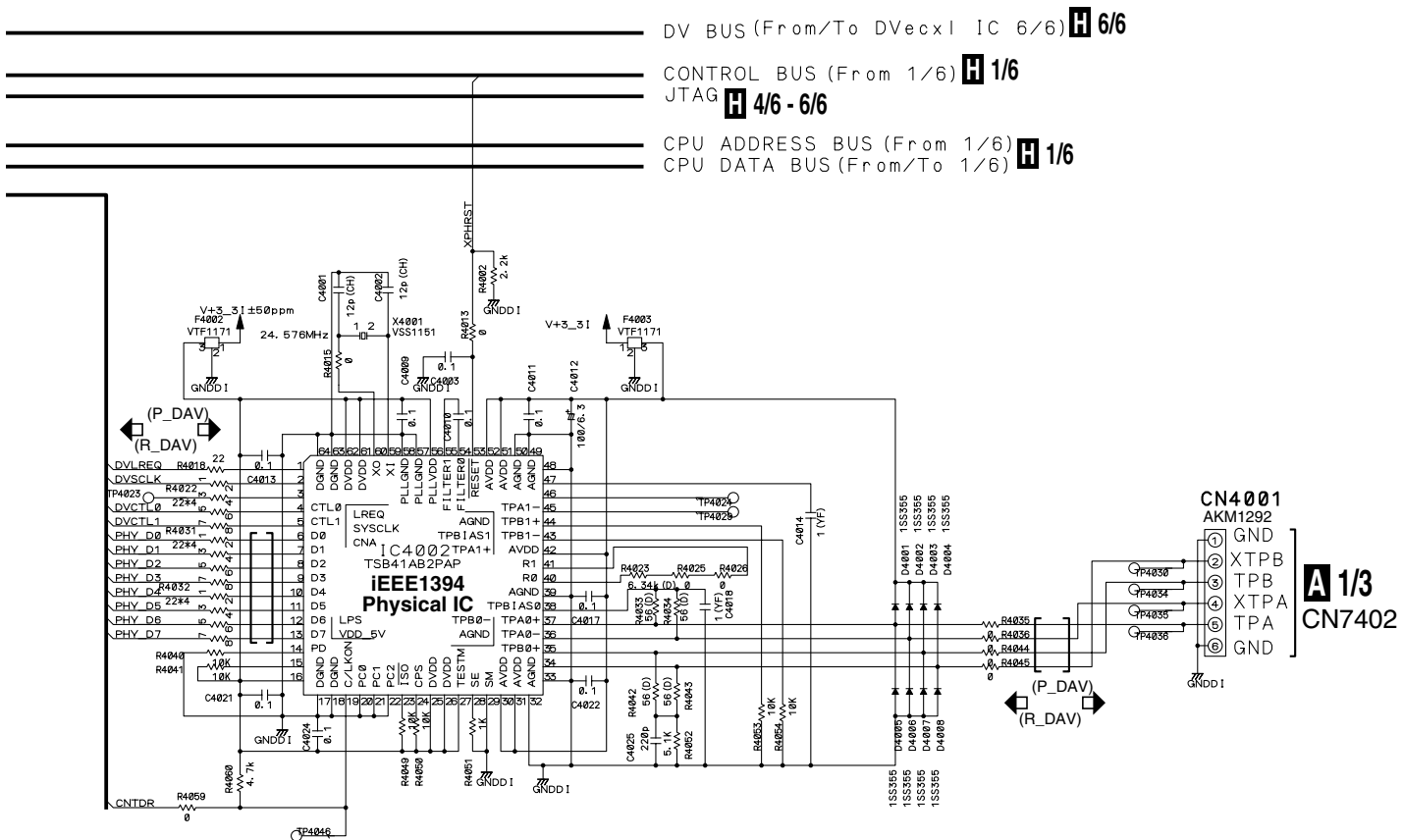
(from 1/6)
H 1/6 27MVAI

(from 1/6)
H 1/6 40MGE0
(from PCI Board)

H 2/6

(R_DAV) □ : Recording Signal Route (Digital Audio/Video)
 (P_DAV) □ : Playback Signal Route (Digital Audio/Video)

A



B

C

D

E

F

A 1/3
CN4001

H 3/6

4/6 AVIB ASSY (DWV1202)

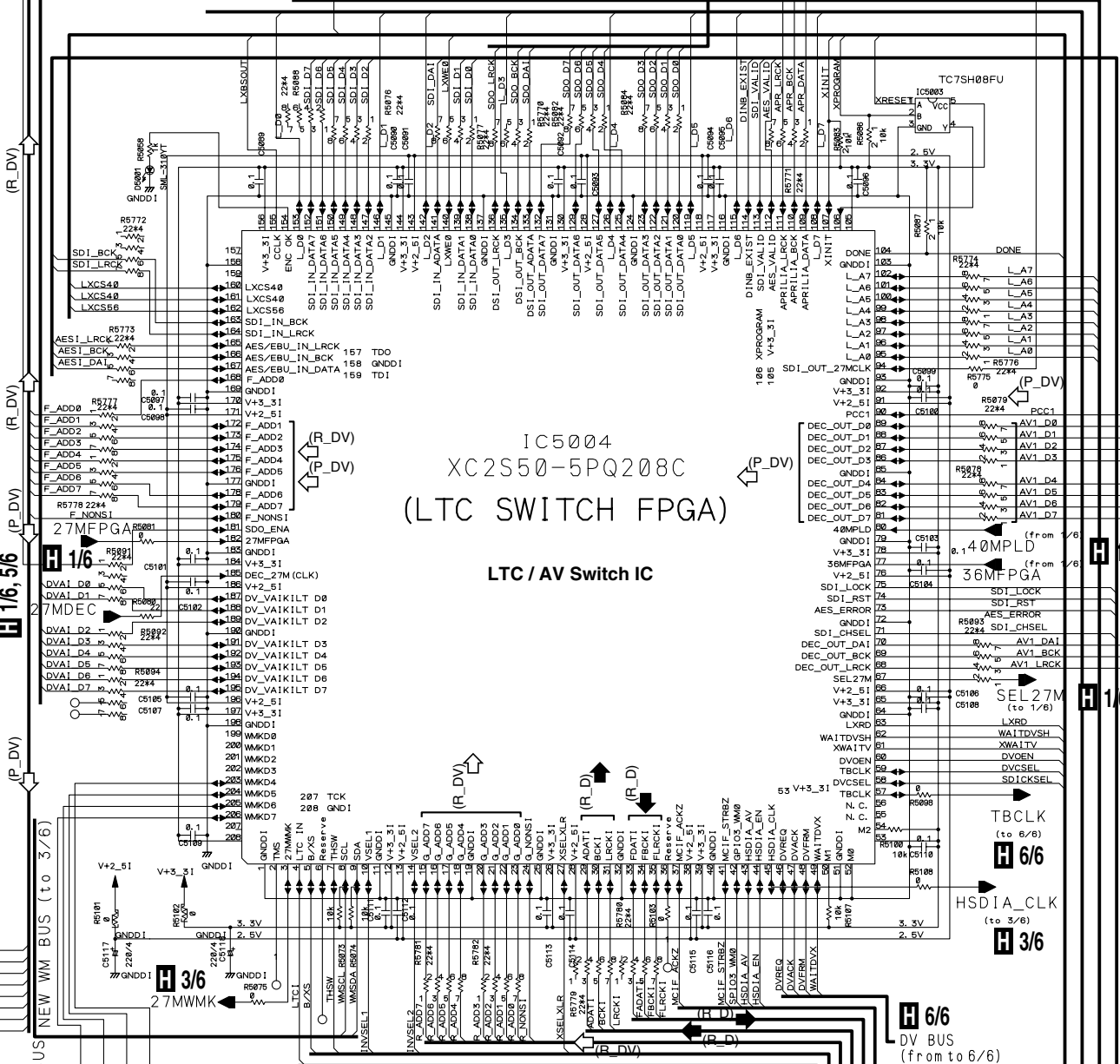
DOOB (OPTION)
CN8602

CN5503
CSK4361

Vaikilit, LTC Switch Block
SDD_ENA

(from 5/6)
Aprilia Bus H 5/6

27MSD0



IC5004
XC2S50-5PQ208C
(LTC SWITCH FPGA)

LTC / AV Switch IC

H 1/6, 5/6

H 5/6

H 1/6

H 1/6

H 6/6

H 6/6

OPTION IN BOARD BUS
For ST LED
CN5502
CSK4361

DINB (OPTION)
CN8202

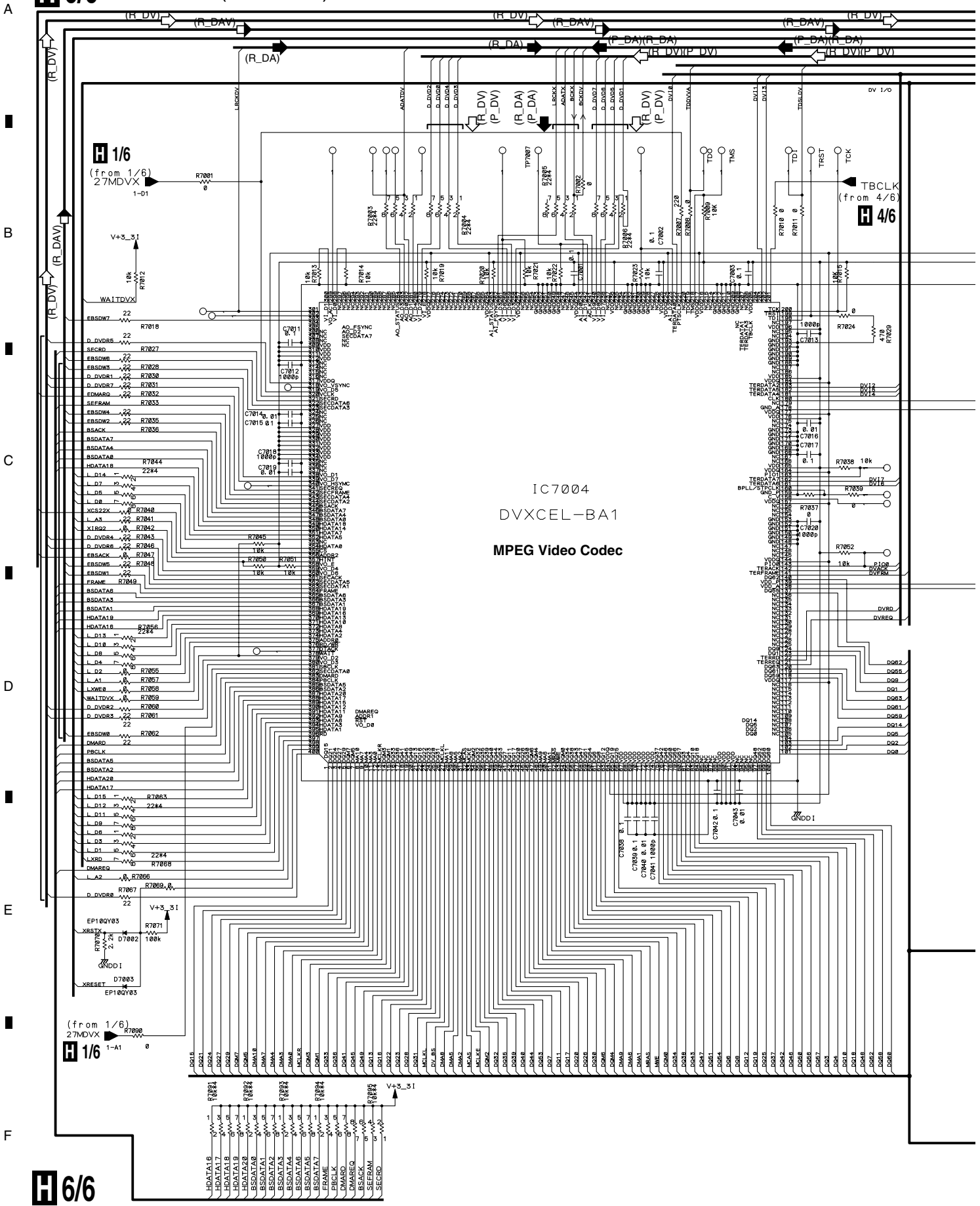
DINB (OPTION)
CN8203

- CeLinx BUS (from to 3/6) H 3/6
- Aprilia Bus (to 5/6) H 5/6
- ADC Bus (from 2/6) H 2/6
- George Bus (from 2/6) H 2/6
- JACK BUS (to 2/6)
- LTC (from 1/6)
- CONTROL BUS (from 1/6)
- CPU DATA BUS (from to 1/6) H 1/6
- CPU ADDRESS BUS (from 1/6)

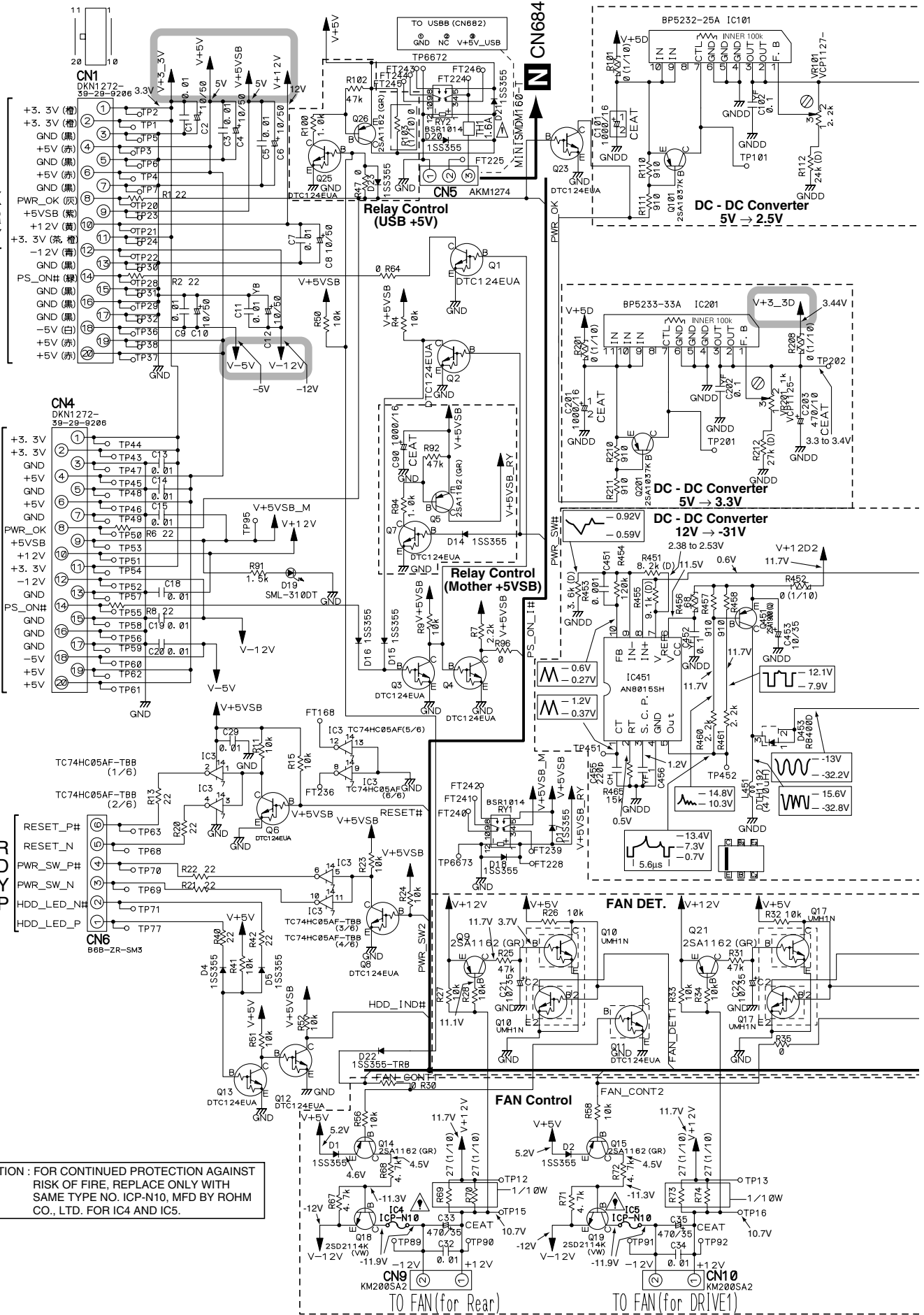
H 4/6

3.19 AVIB ASSY (6/6)

6/6 AVIB ASSY (DWV1202)

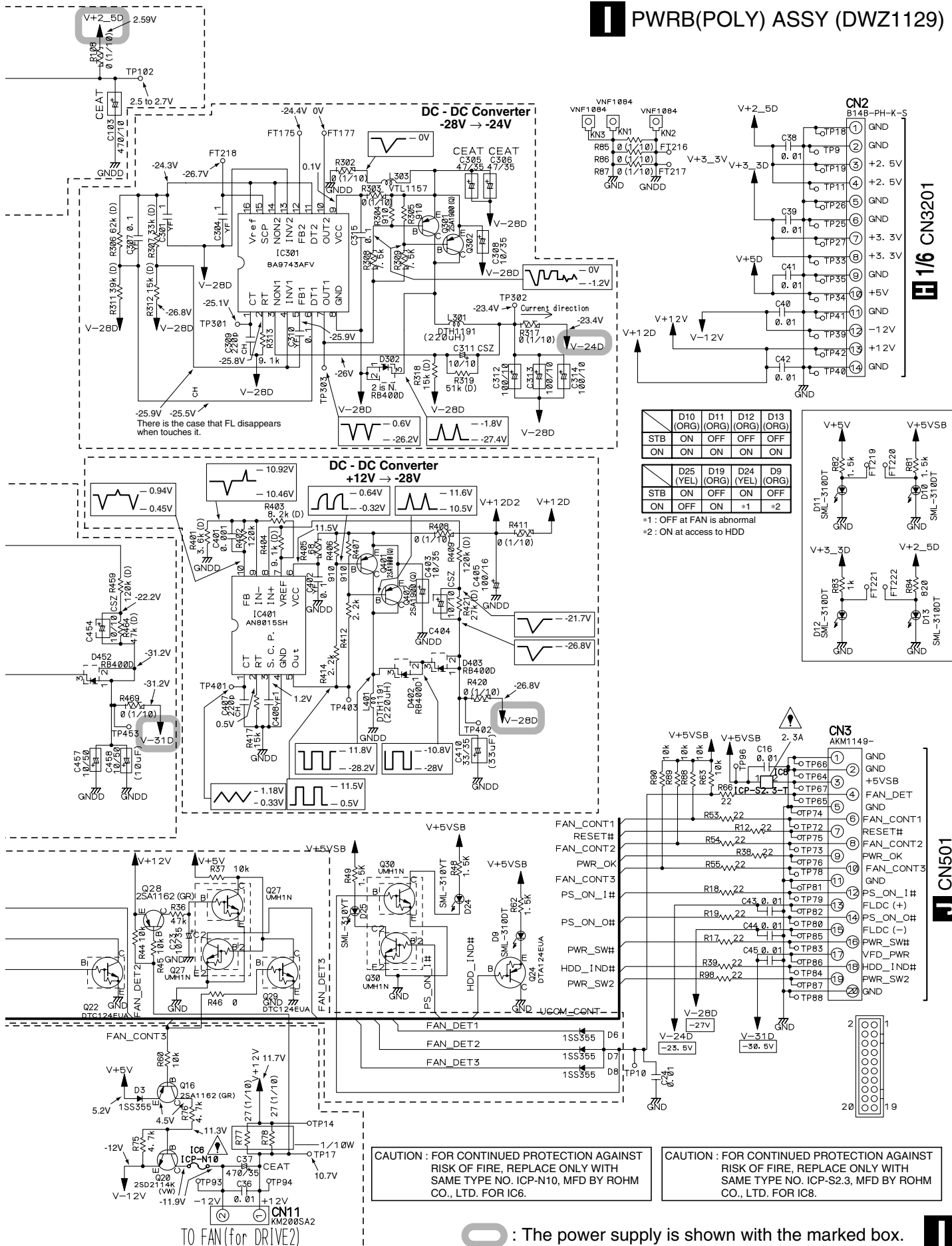


3.20 PWRB(POLY) ASSY



CAUTION : FOR CONTINUED PROTECTION AGAINST RISK OF FIRE, REPLACE ONLY WITH SAME TYPE NO. ICP-N10, MFD BY ROHM CO., LTD. FOR IC4 AND IC5.

PWRB(POLY) ASSY (DWZ1129)



A
B
C
D
E
F

1/6 CN3201

J CN501

The power supply is shown with the marked box.

3.21 FLKB(WYV/RB) ASSY

1 2 3 4

A

B

C

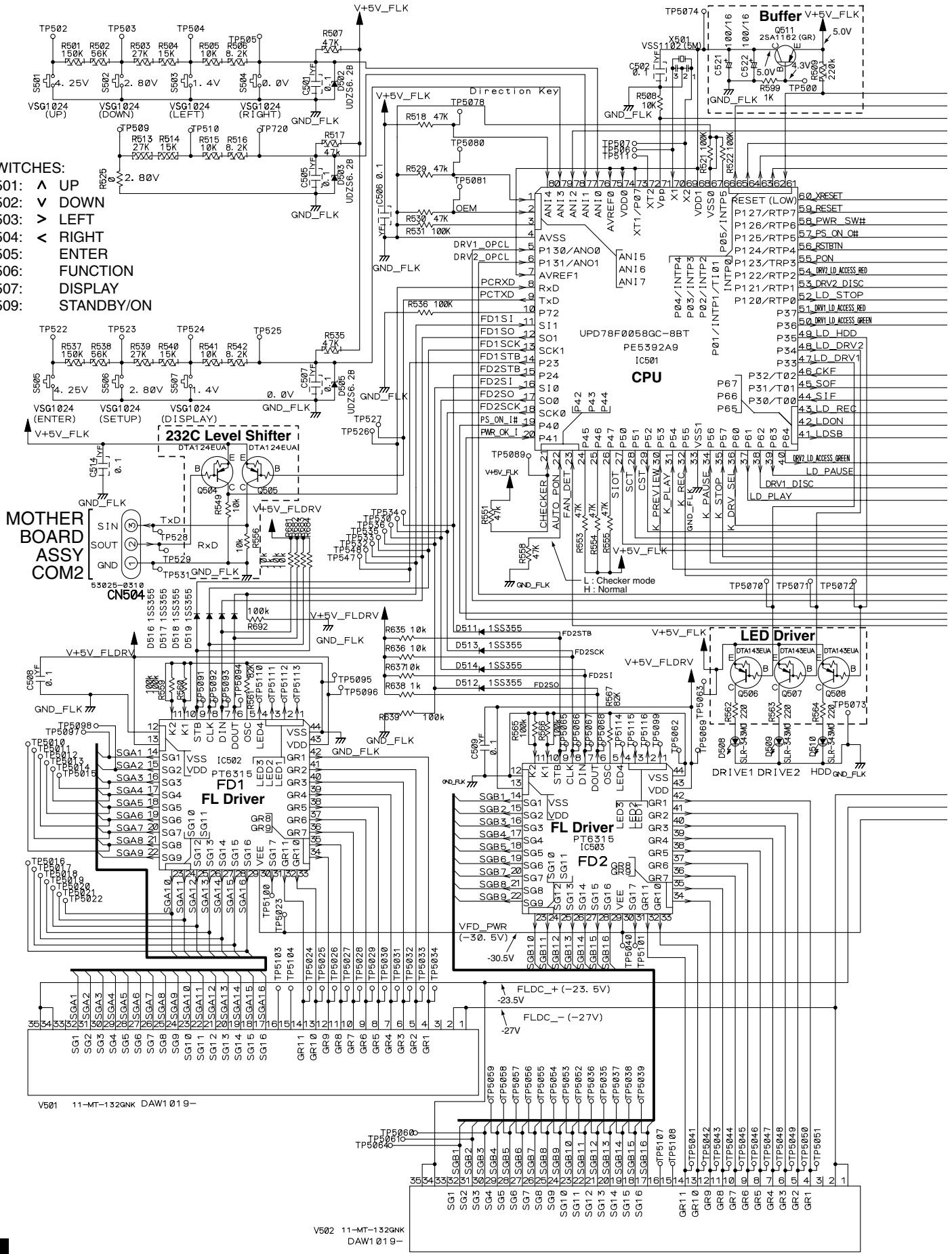
D

E

F

- SWITCHES:**
 S501: ▲ UP
 S502: ▼ DOWN
 S503: > LEFT
 S504: < RIGHT
 S505: ENTER
 S506: FUNCTION
 S507: DISPLAY
 S509: STANDBY/ON

MOTHER BOARD ASSY COM2



V501 11-MT-132GNK DAW1 019-

V502 11-MT-132GNK DAW1 019-

PRV-LX10

1 2 3 4

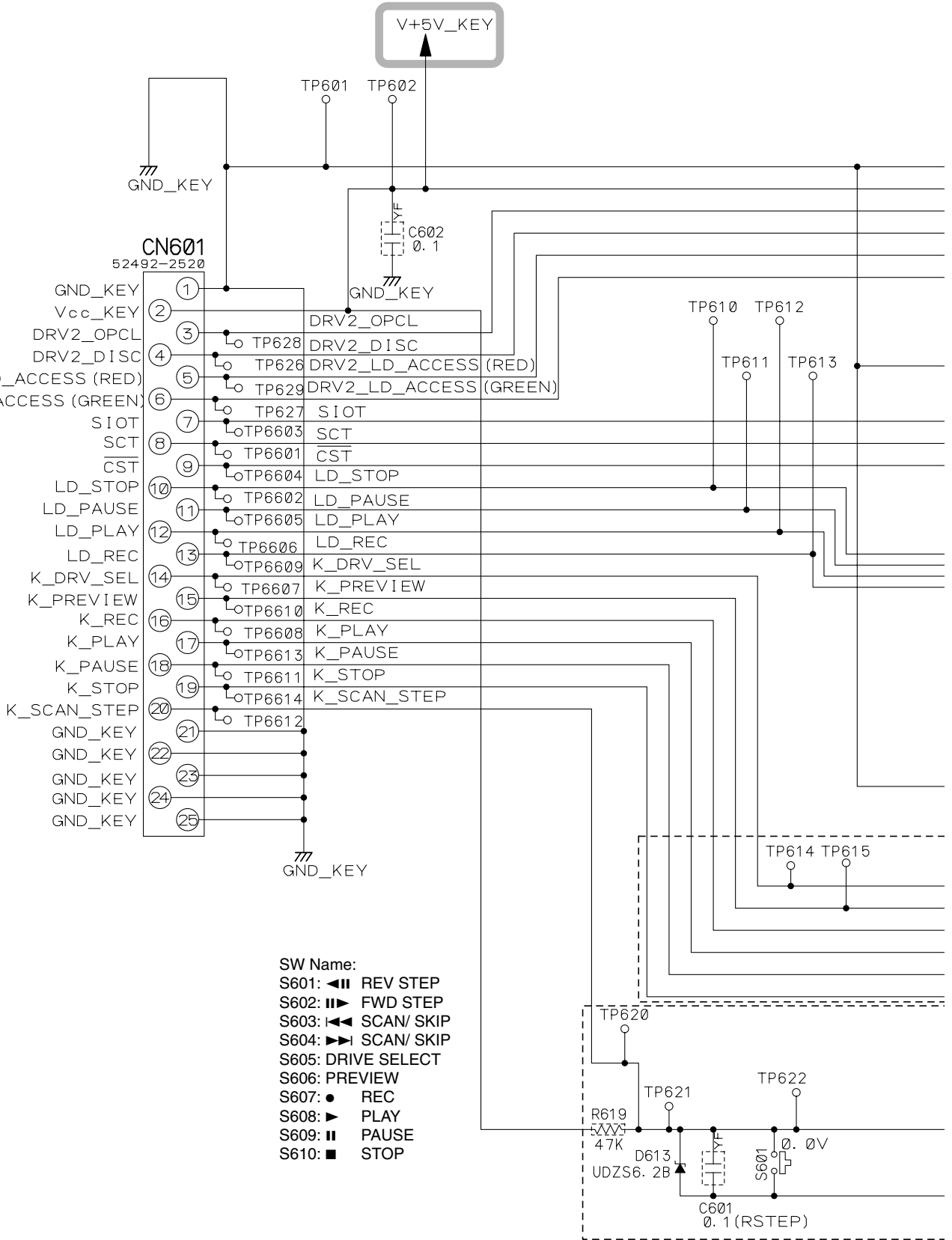


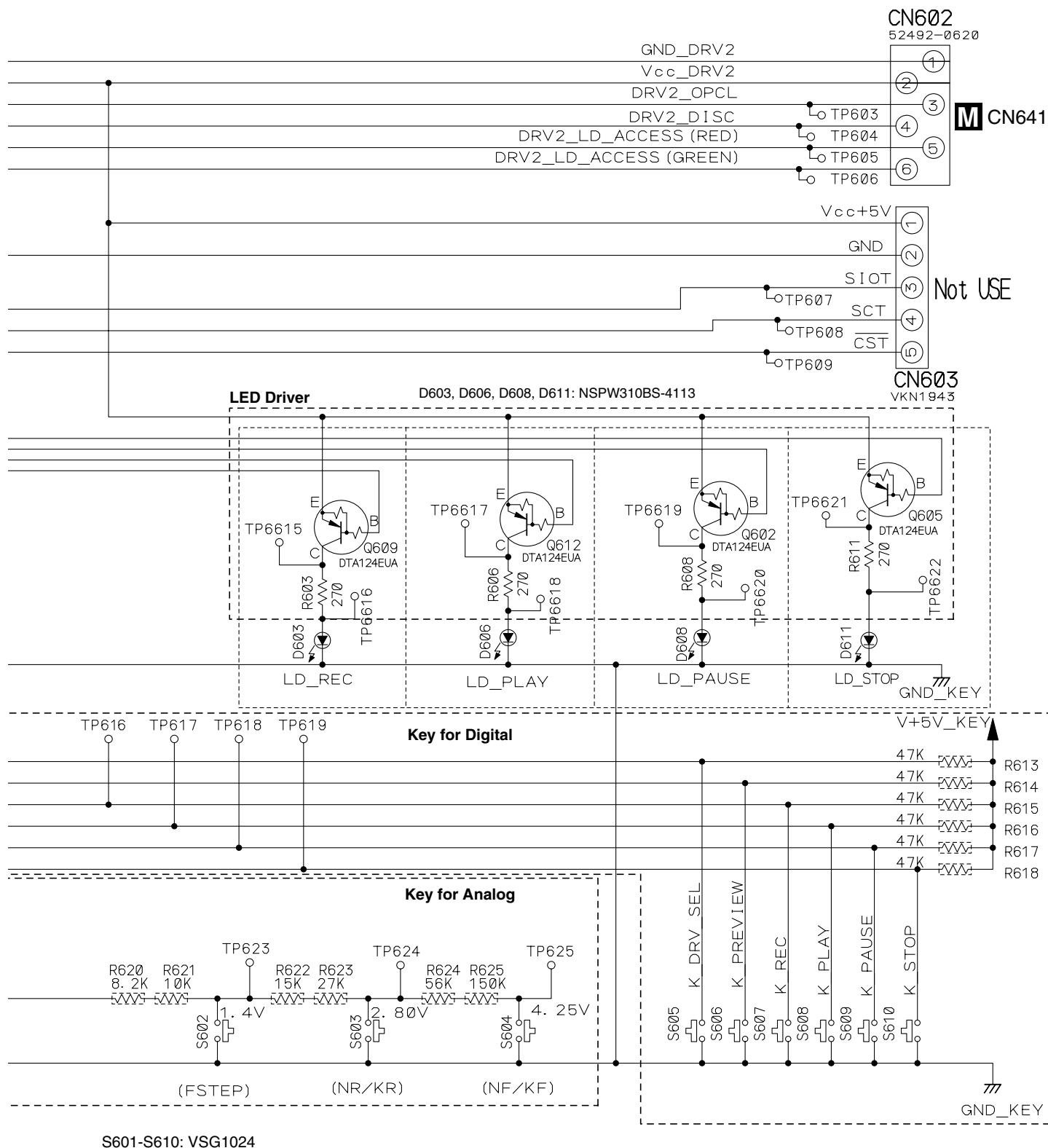
3.22 KEYB(WYV/RB) ASSY

K KEYB(WYV/RB) ASSY (DWZ1157)

A
B
C
D
E
F

J CN503





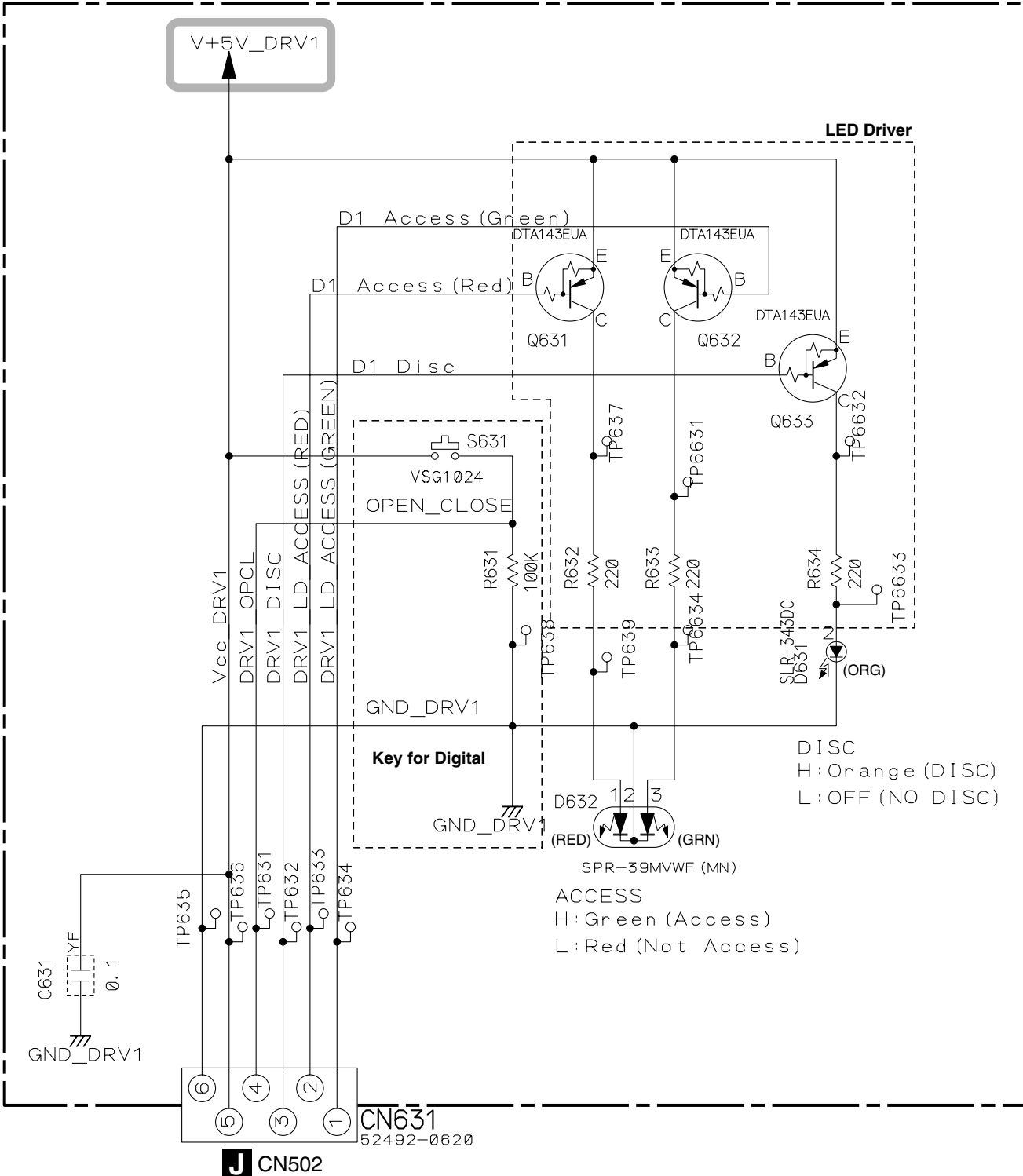
S601-S610: VSG1024

: The power supply is shown with the marked box.

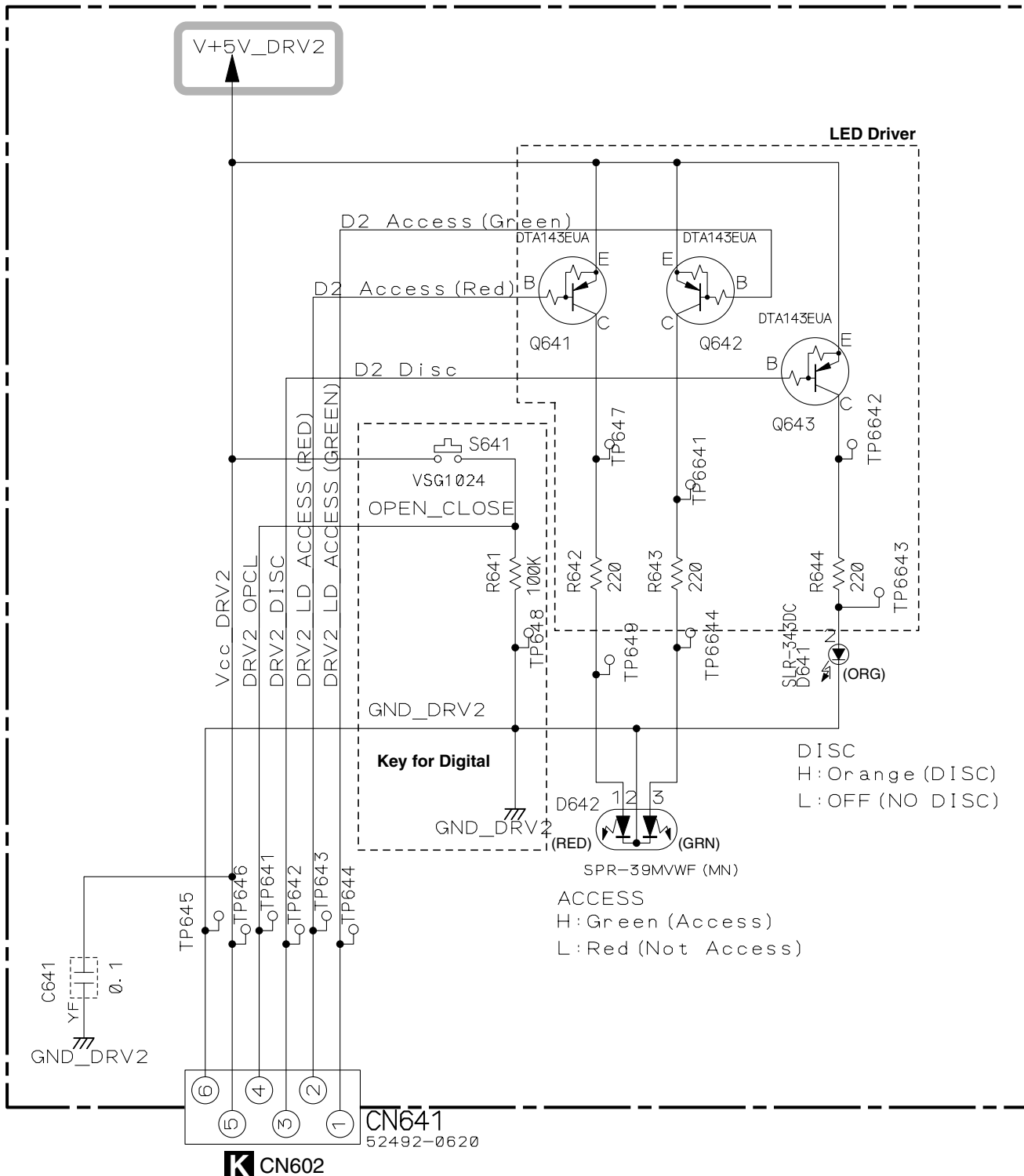



3.23 DRV1B and DRV2B ASSYS

DRV1B ASSY (DWZ1160)



M DRV2B ASSY (DWZ1161)

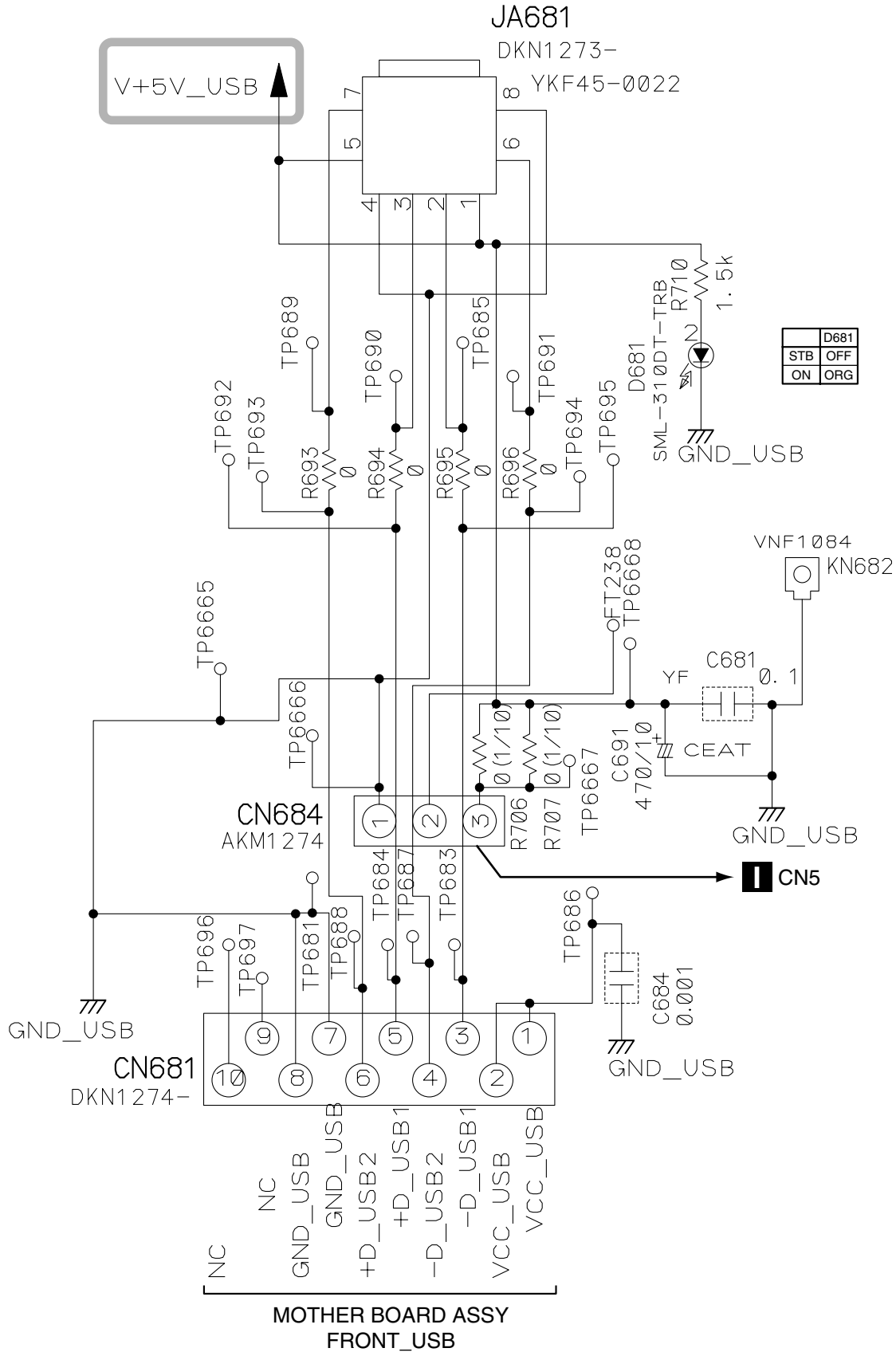


 : The power supply is shown with the marked box.



3.24 USBB ASSY

N USBB ASSY (DWZ1159)


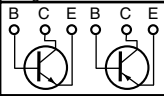

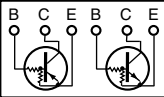

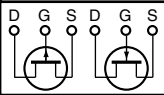

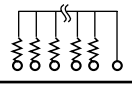
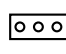
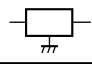


: The power supply is shown with the marked box.

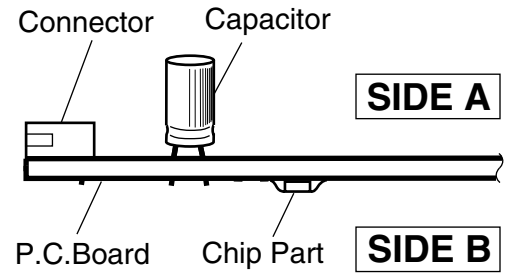
4. PCB CONNECTION DIAGRAM

NOTE FOR PCB DIAGRAMS :

1. Part numbers in PCB diagrams match those in the schematic diagrams.
2. A comparison between the main parts of PCB and schematic diagrams is shown below.

Symbol In PCB Diagrams	Symbol In Schematic Diagrams	Part Name
		Transistor
		Transistor with resistor
		Field effect transistor
		Resistor array
		3-terminal regulator

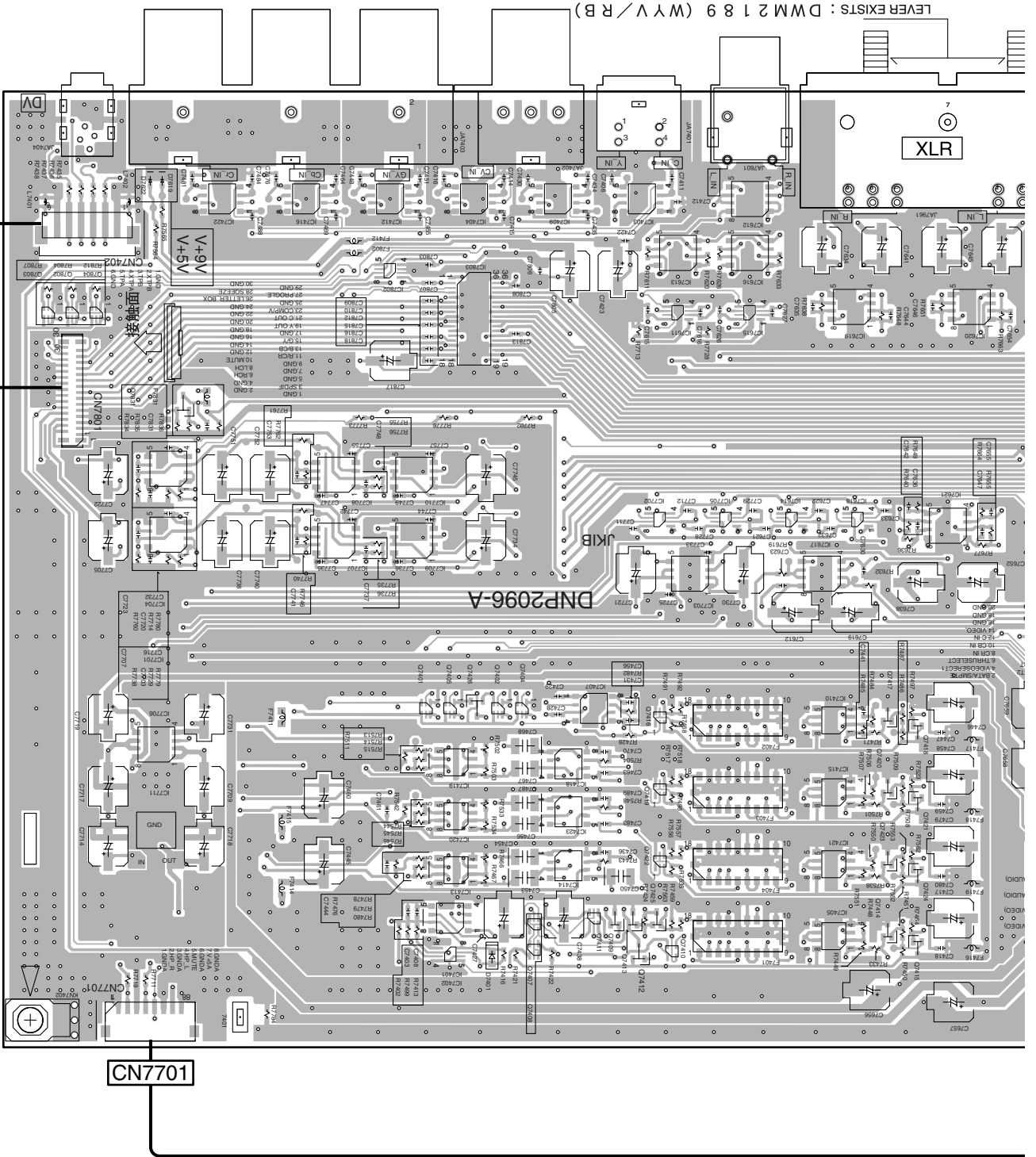
3. The parts mounted on this PCB include all necessary parts for several destinations.
For further information for respective destinations, be sure to check with the schematic diagram.
4. View point of PCB diagrams.



4.1 JKIB, JKDB, 422IB and HPVB ASSYS

SIDE A

A JKIB ASSY

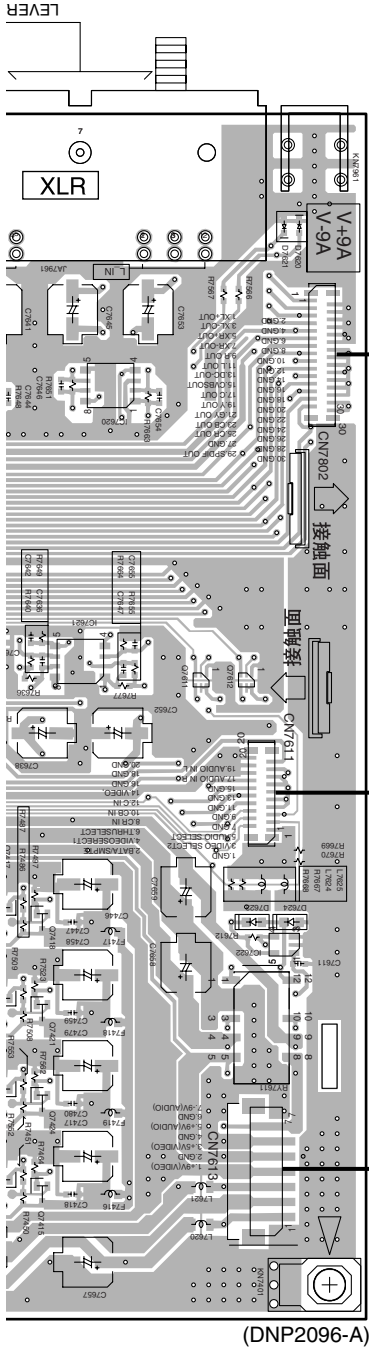


Q7802-Q7804	IC7422	IC7416	IC7412	IC7404	IC7409	IC7403	IC7612	IC7619	IC7620
	Q7831	IC7708	IC7710	IC7803		IC7613	IC7616		
	IC7704	IC7707	IC7709	Q7426		IC7702	IC7705	IC7618	IC7621
	IC7711		Q7401	Q7405	Q7402	Q7404	IC7707	IC7617	Q7418
			IC7419	IC7418	IC7419	IC7418	Q7416	IC7410	Q7417
			IC7420	IC7423	IC7419	IC7418	Q7419	IC7415	Q7420
			IC7413	IC7414	IC7419	IC7418	Q7422	IC7421	Q7423
			IC7401	Q7407	Q7407	Q7425	Q7425	IC7405	Q7414
			IC7402	Q7408	Q7408	Q7409-Q7412			Q7415

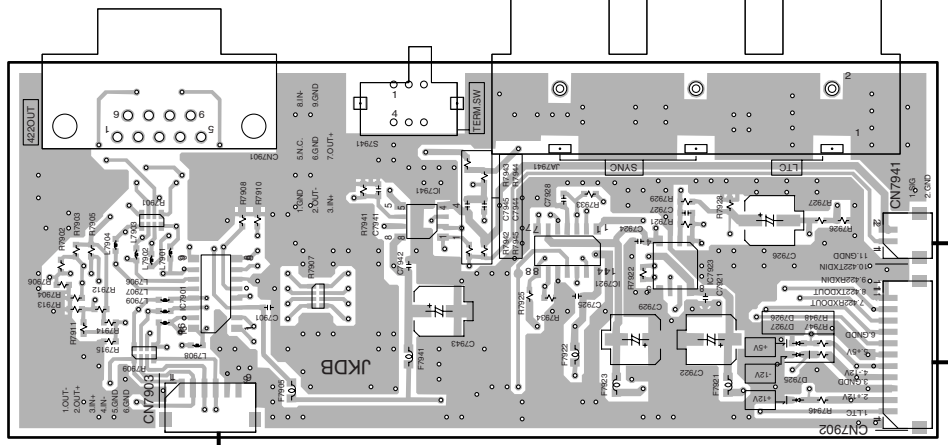
PRV-LX10

A

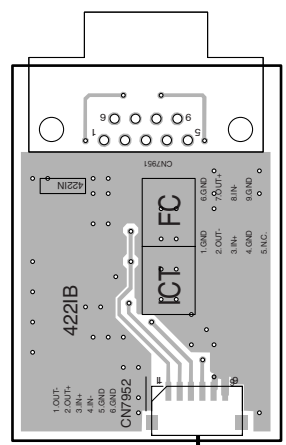
A
B
C
D
E
F



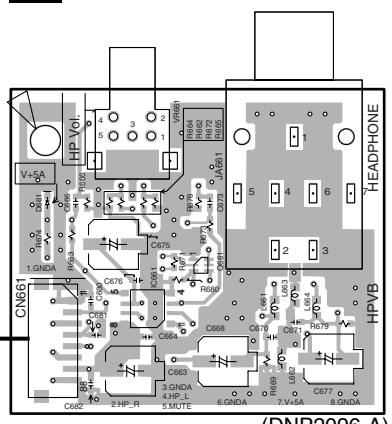
B JKDB ASSY



C 422IB ASSY



D HPVB ASSY

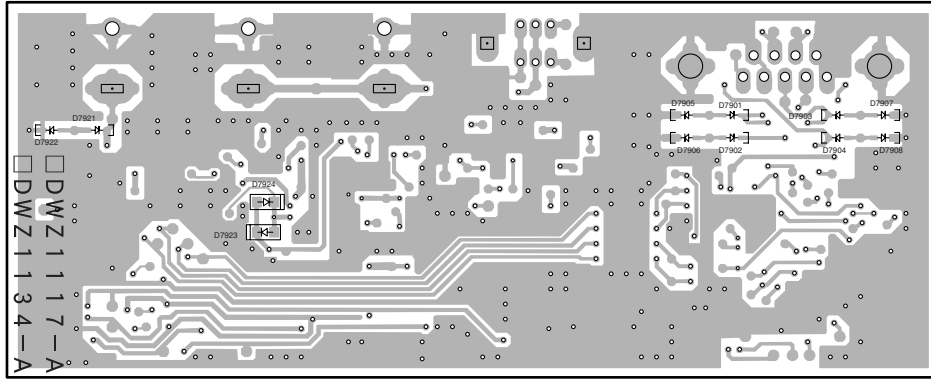


- IC7620
- IC7621
- Q7418
- Q7421
- Q7424
- Q7415
- Q7611
- Q7612
- IC7622

SIDE B

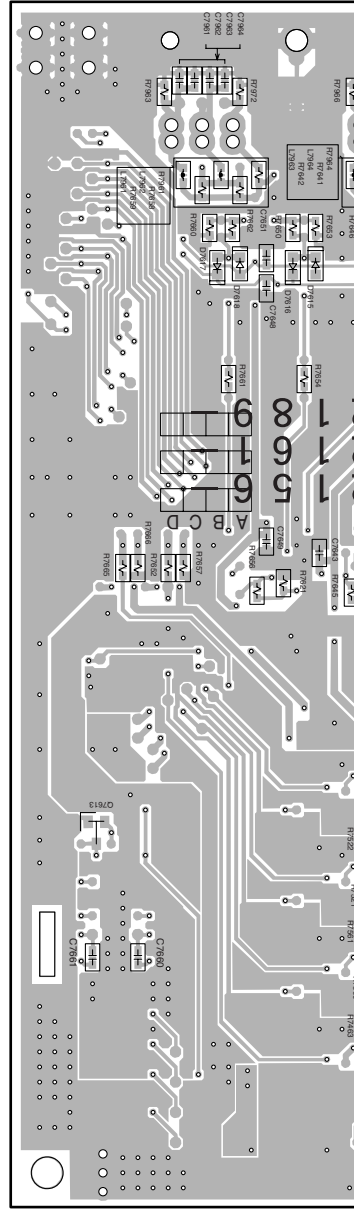
A

B JKDB ASSY



(DNP2096-A)

A JKIB ASSY

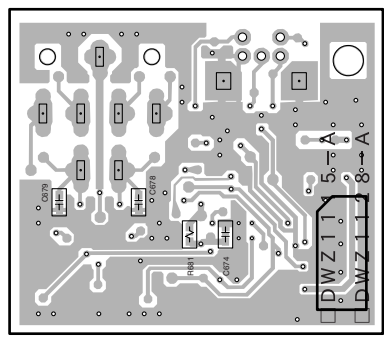


B

C

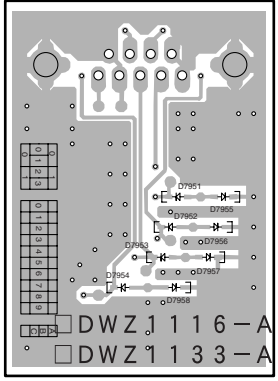
D

D HPVB ASSY



(DNP2096-A)

C 422IB ASSY



(DNP2096-A)

E

F

Q7613

A B C D

4.2 DECB ASSY

SIDE A

F DECB ASSY

SIDE A

A

B

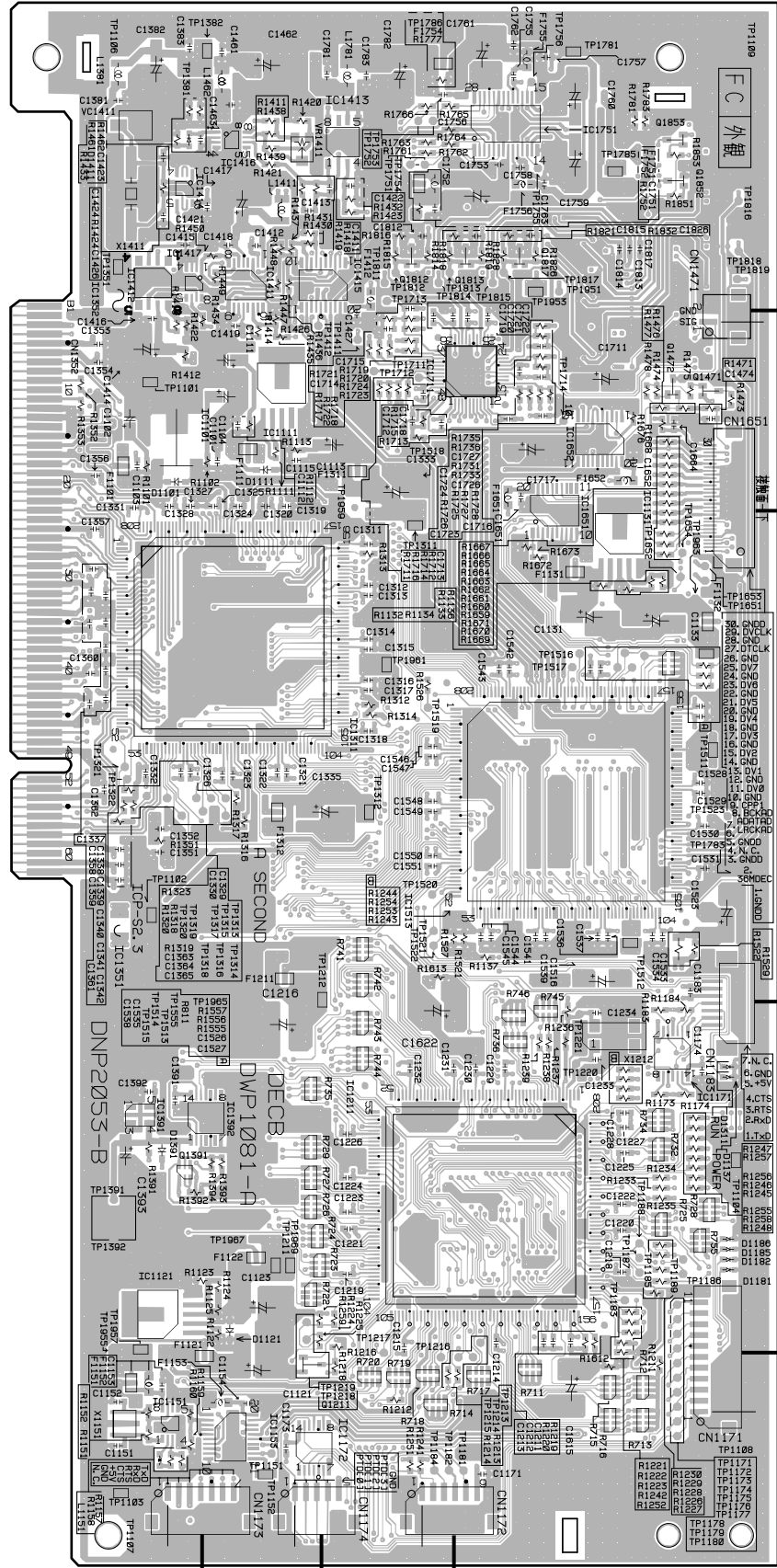
C

D

E

F

- IC1751 VC1411
- IC1413 Q1853 VR1411
- IC1414 Q1852
- Q1812 Q1813 Q1817
- IC1417 IC1411 IC1415
- IC1412 IC1452
- IC1111 IC1711 Q1472 Q1471
- IC1101 IC1652
- IC1651 IC1131
- IC1311
- IC1513
- IC1351
- IC1391 IC1392 Q1391 IC1211
- IC1121 Q1211
- IC1151 IC1153 IC1172



B CN7941

H CN6002

for Service

for Debug

CN1173 CN1174 CN1172

for Debug

(DNP2053-B)

PRV-LX10

4.3 PCIB ASSY

SIDE A

G PCIB ASSY

for Debug

SIDE A

A

B

C

D

E

F

IC2407 IC2401

IC2404

IC2405 IC2303

IC2101

IC2102

IC2406 IC2105

IC2309

IC2402 IC2403

IC2108

IC2304

IC2110 IC2307 IC2302

Q2301 IC2308

IC2306 IC2107 IC2106

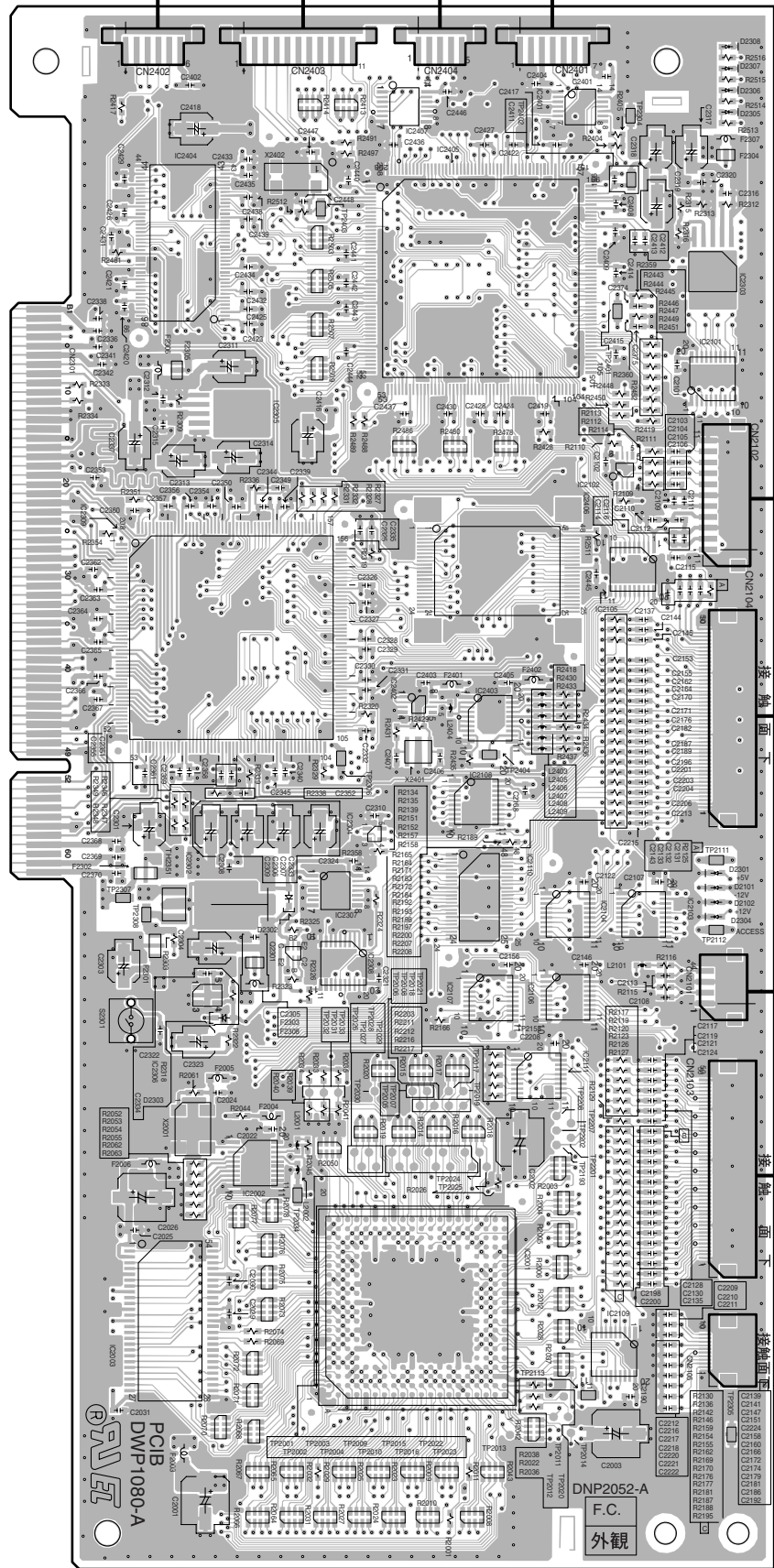
IC2111

IC2002

IC2001

IC2003

IC2109



(DNP2052-A)

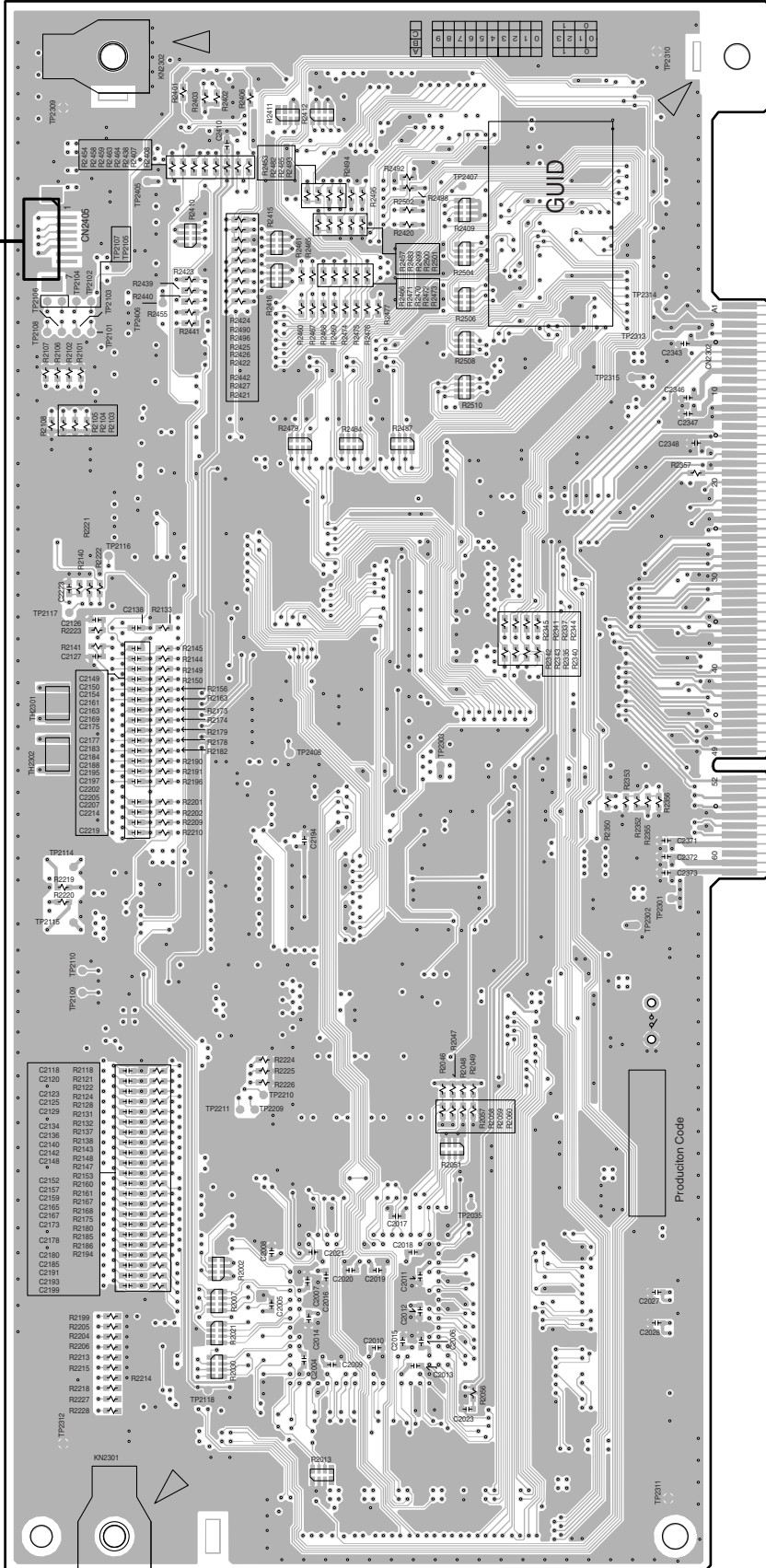
SIDE B

SIDE B

G PCIB ASSY

for Service

CN2405



(DNP2052-A)



4.4 AVIB ASSY

SIDE A

H AVIB ASSY

CN3501

A CN7611

A

B

C

D

E

F

IC3201 IC3202

IC3803

IC3501 IC3203 IC3204

VR3501

IC5002

IC3502 IC6002

IC4802 IC5003

IC7501

IC5004

IC3302

IC3303

IC3310

IC3307

IC3308

IC7004

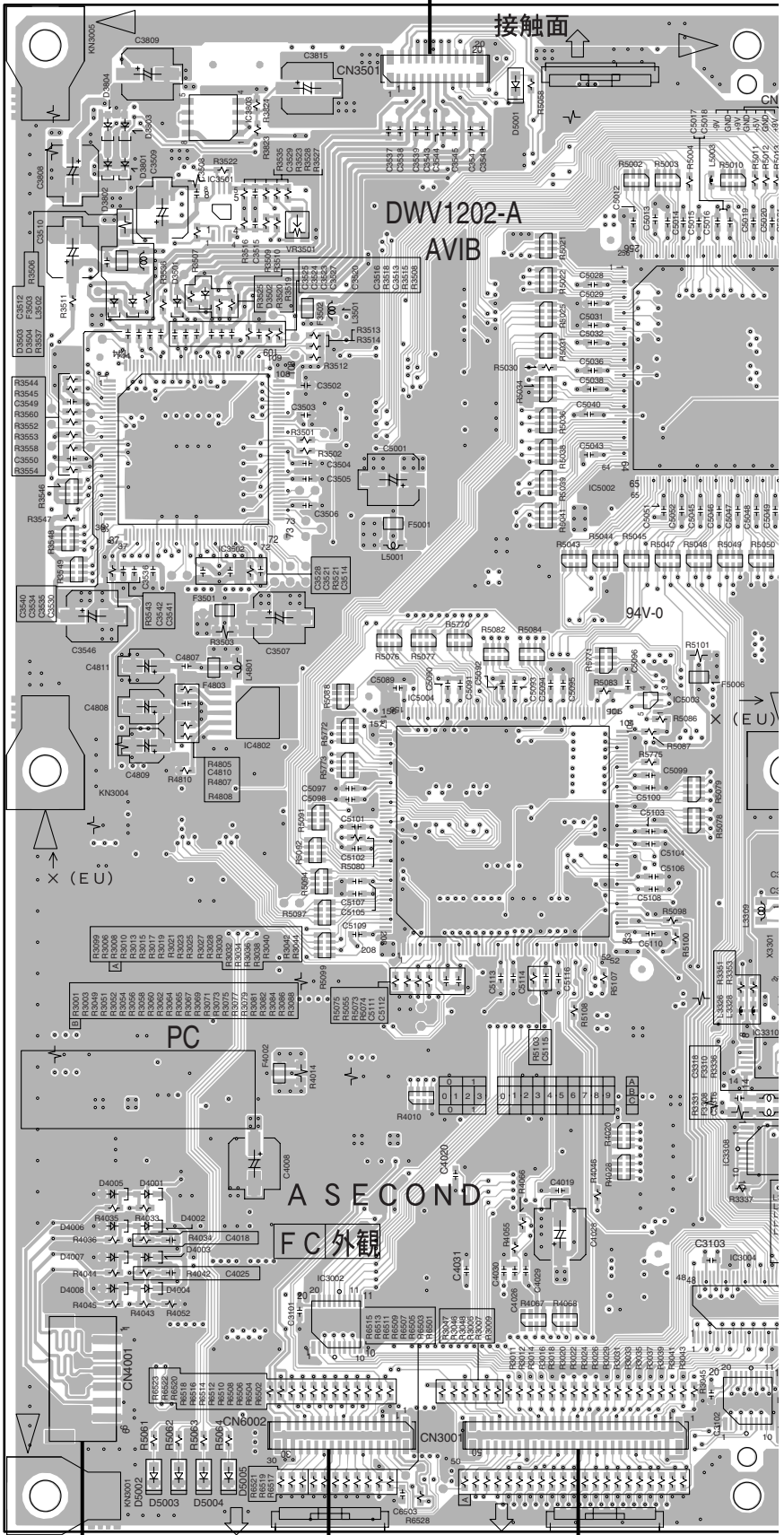
IC3004 IC3002

IC3304 IC3005 IC3006

IC3003

IC3007

VC3301



CN4001

CN6002

CN3001

A CN7402

F CN1651

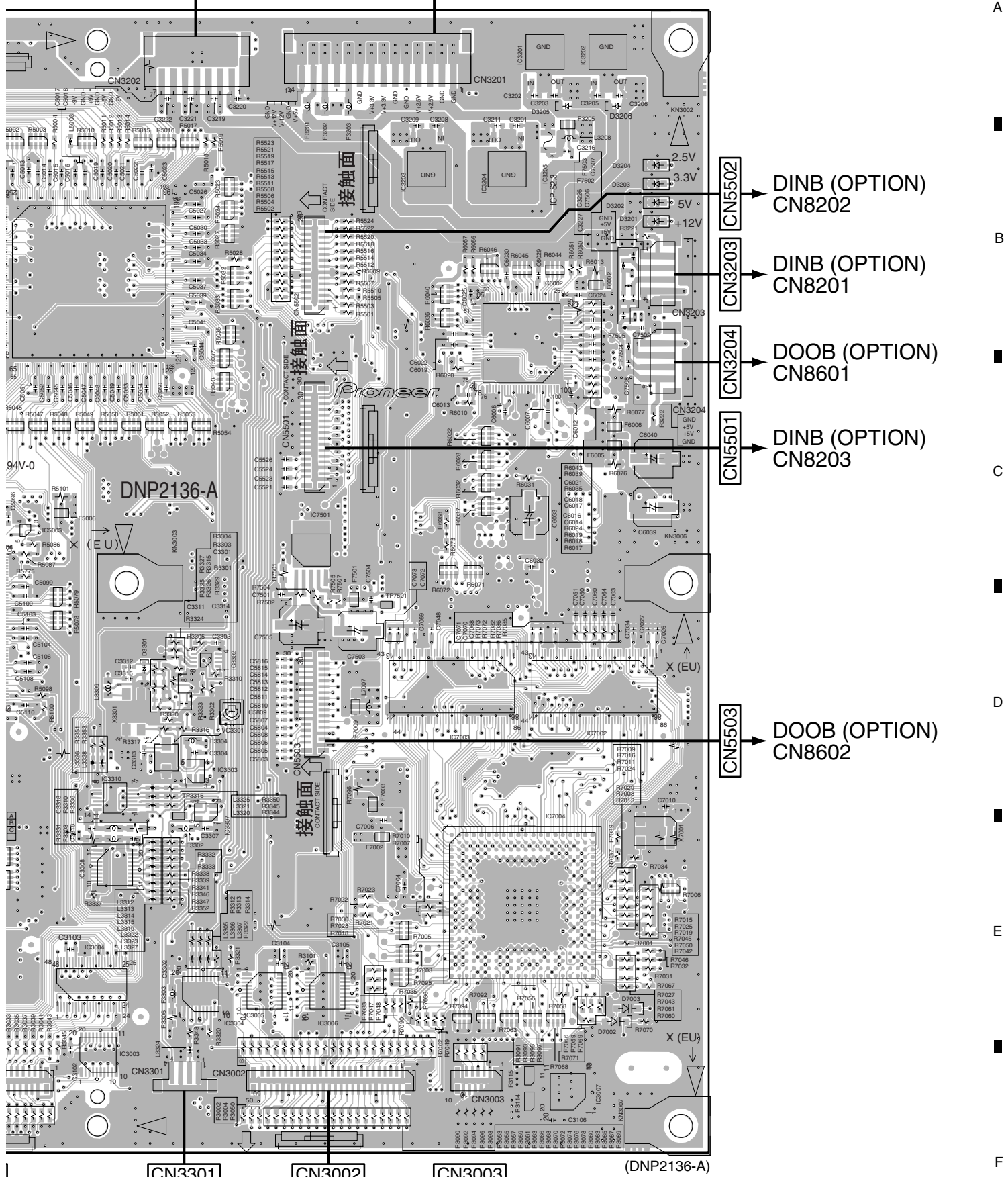
G CN2104



311

CN3202 → **A** CN7613 CN3201 → **I** CN2

SIDE A



CN5502 → DINB (OPTION) CN8202

CN3203 → DINB (OPTION) CN8201

CN3204 → DOOB (OPTION) CN8601

CN5501 → DINB (OPTION) CN8203

CN5503 → DOOB (OPTION) CN8602

CN3301

CN3002

CN3003

(DNP2136-A)

04

G CN2101

G CN2103

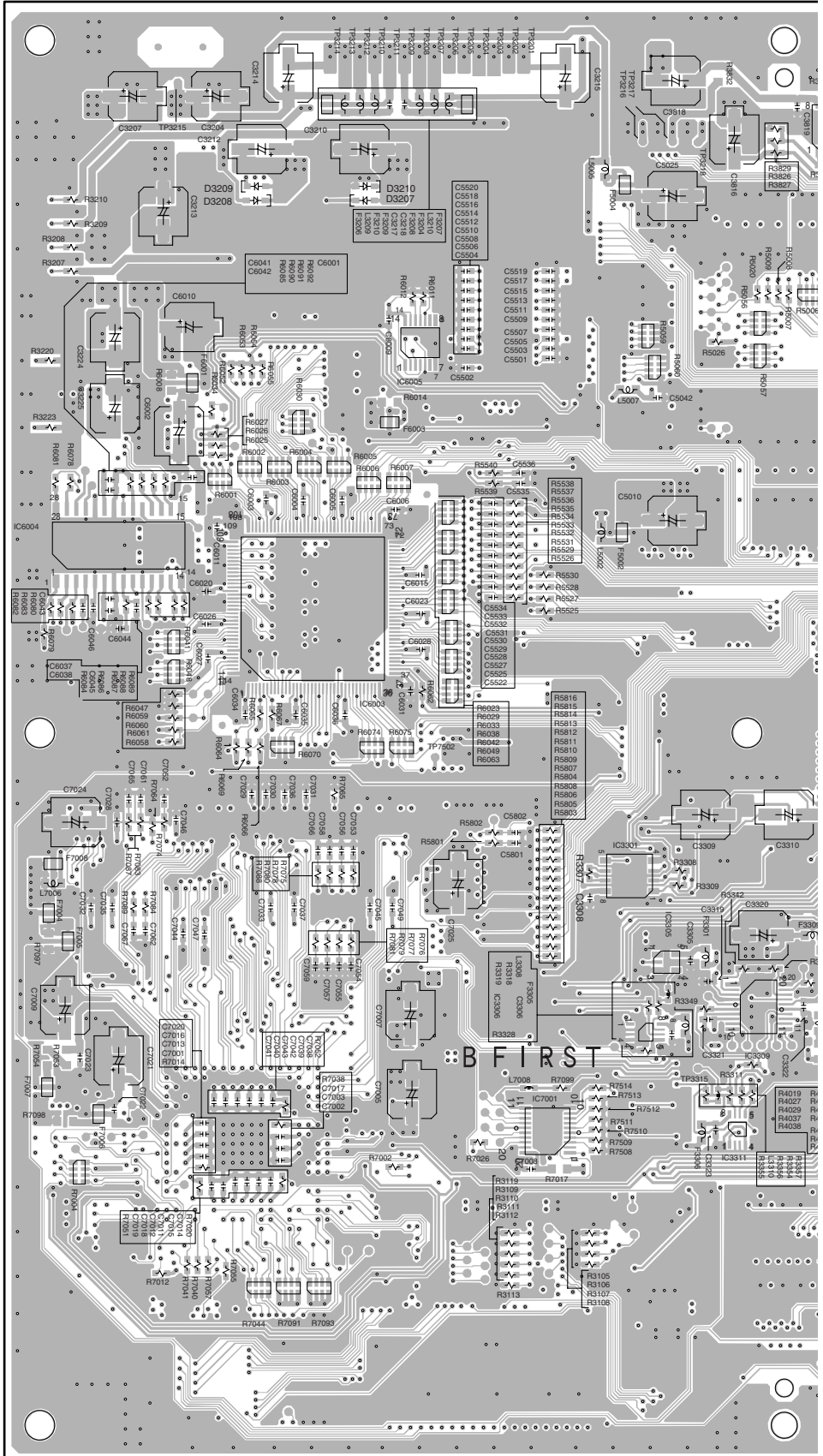
CN3003

PRV-LX10

H

SIDE B

AVIB ASSY



B FIRST



A
B
C
D
E
F

SIDE B

A

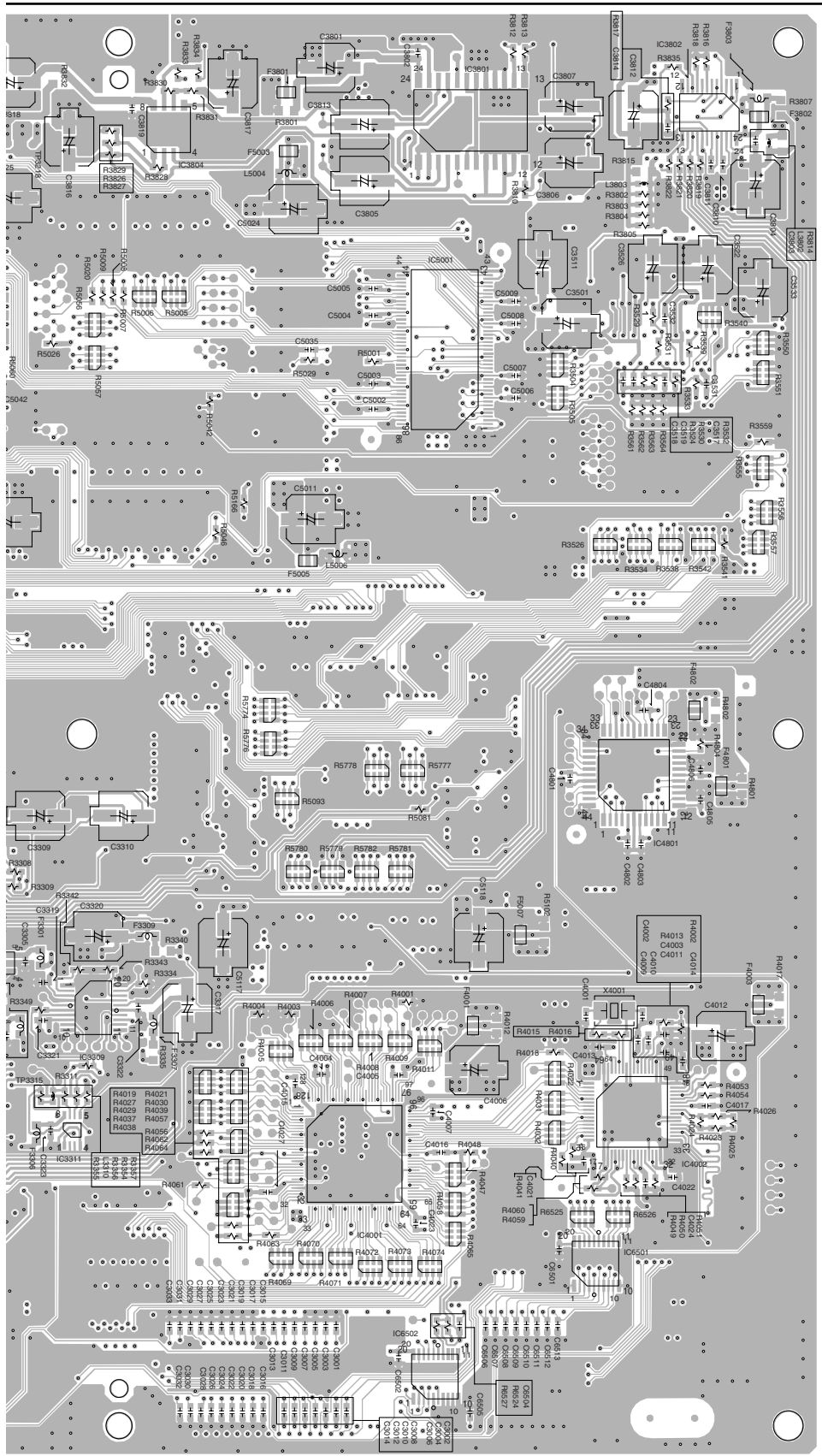
B

C

D

E

F



- IC3804
- IC3801
- IC3802
- IC6005
- IC5001
- IC6004
- IC6003
- IC4801
- IC3301
- IC3305
- IC3306
- IC3309
- IC7001
- IC3311
- IC4001
- IC4002
- IC6501
- IC6502

(DNP2136-A)

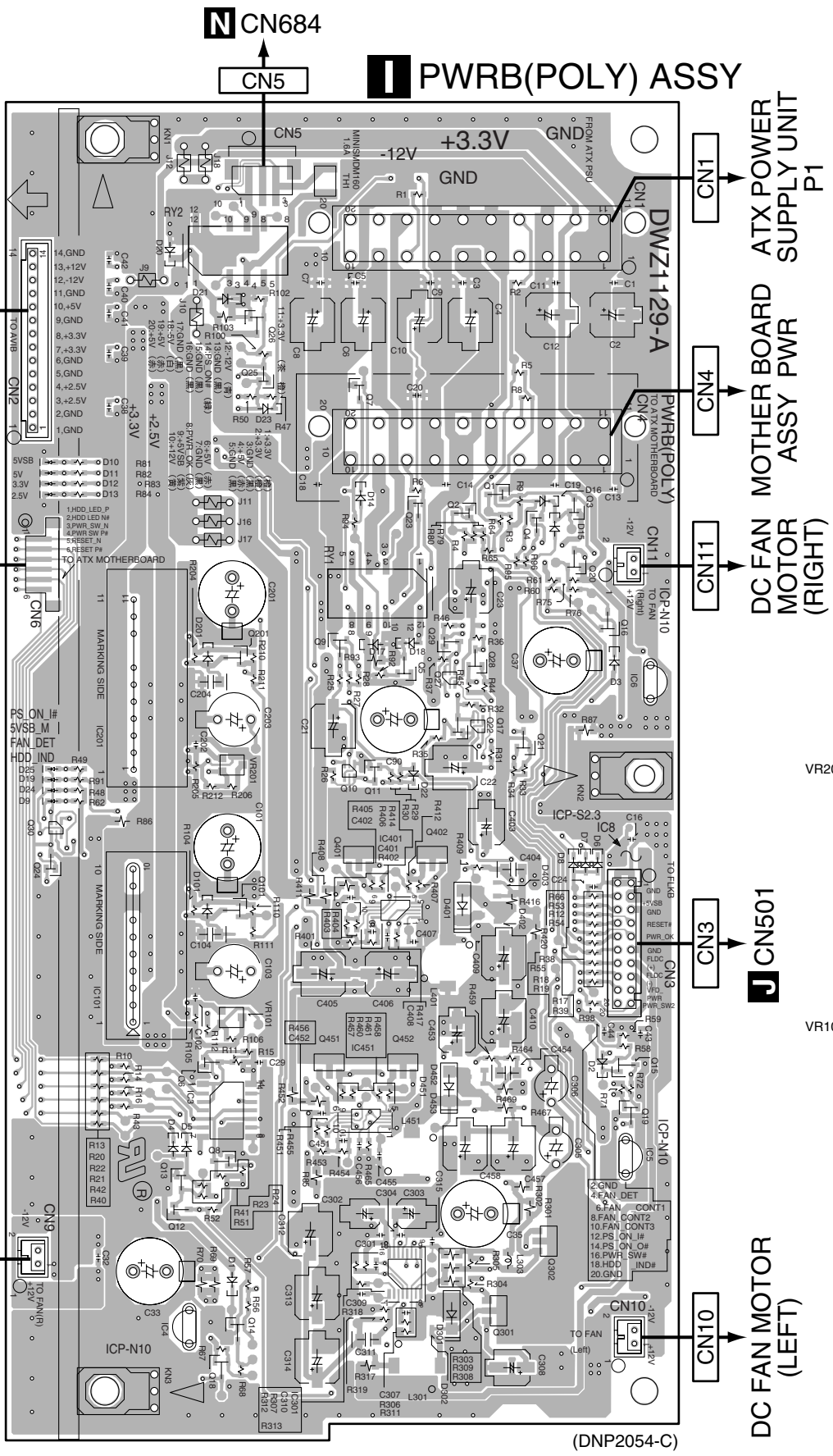


4.5 PWRB ASSY

SIDE A

SIDE A

A
B
C
D
E
F



(DNP2054-C)

- Q26
- Q25
- Q7
- Q1
- Q2
- Q3
- Q4
- Q20
- Q16
- Q29
- Q28
- Q27
- IC6
- Q22
- Q21
- VR201
- Q10
- Q11
- Q30
- Q24
- Q401
- Q402
- IC8
- Q101
- IC401
- IC101
- VR101
- Q6
- Q451
- Q452
- Q15
- IC3
- IC451
- Q19
- Q8
- IC5
- Q13
- Q12
- Q302
- Q301
- Q14
- Q18

MOTHER BOARD ASSY JFP

DC FAN MOTOR (REAR)

PWRB(POLY) ASSY

ATX POWER SUPPLY UNIT P1

MOTHER BOARD ASSY PWR

DC FAN MOTOR (RIGHT)

J CN501

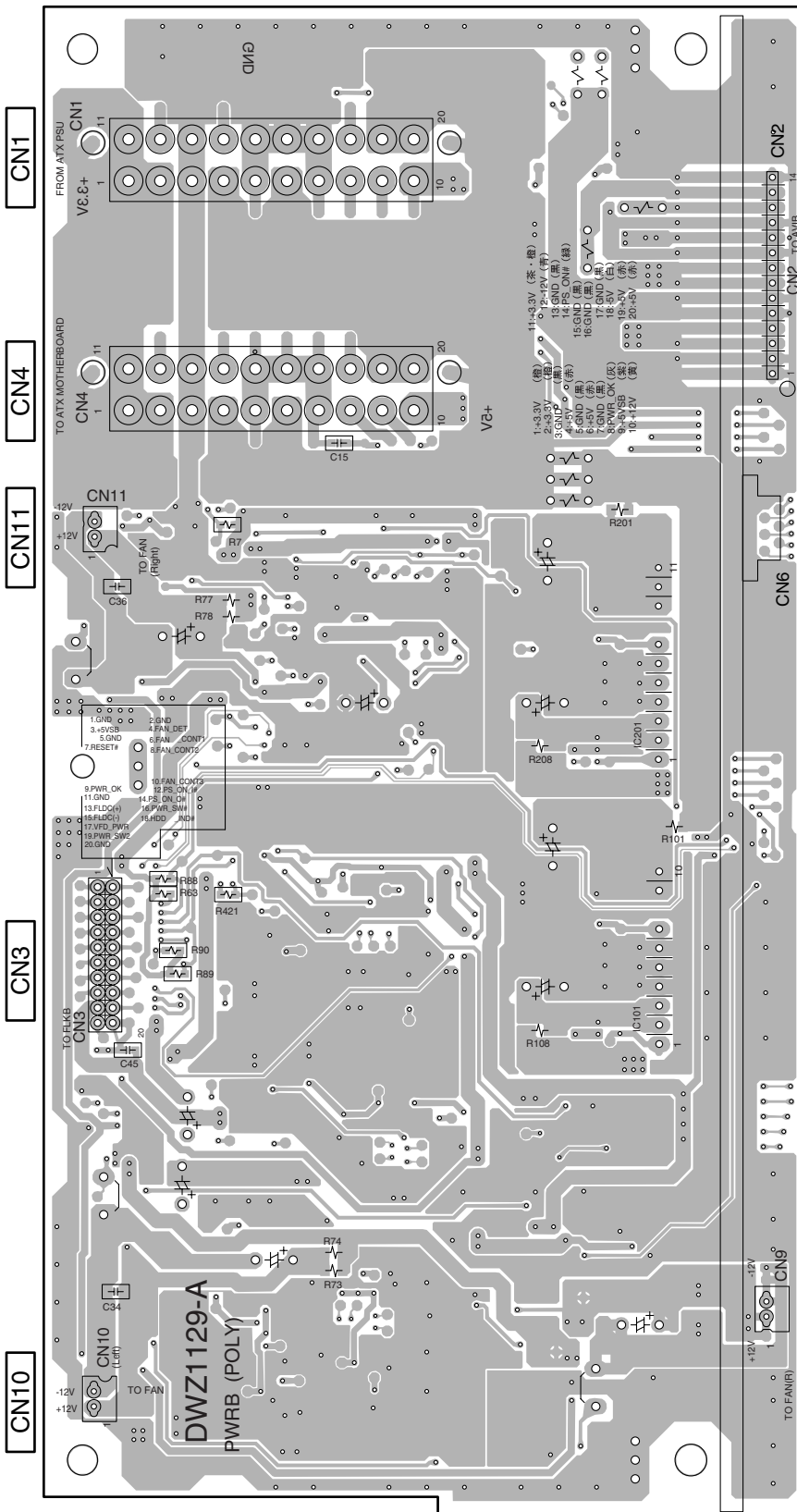
DC FAN MOTOR (LEFT)

SIDE B

SIDE B

A
B
C
D
E
F

PWRB(POLY) ASSY

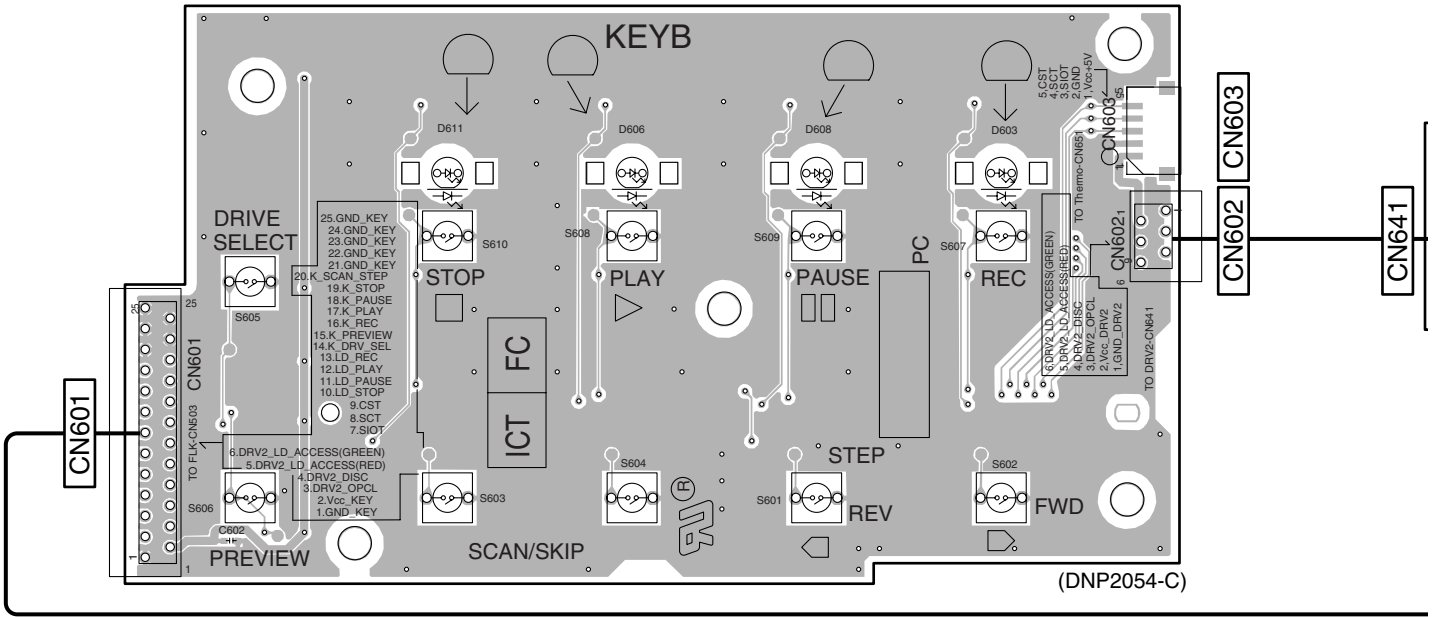


(DNP2054-C)

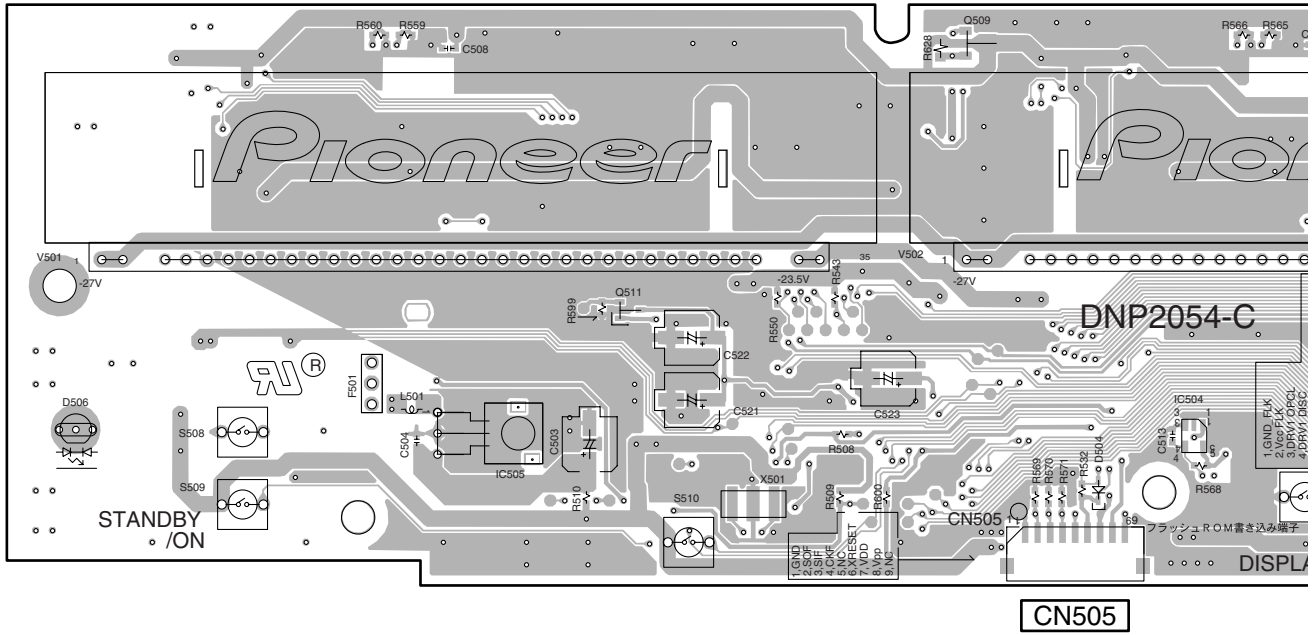
4.6 FLKB, KEYB, DRV1B, DRV2B and USBB ASSYS

SIDE A

K KEYB(WYV/RB) ASSY



J FLKB(WYV/RB) ASSY



IC505 Q511 Q509 IC504

J K

SIDE B

A

B

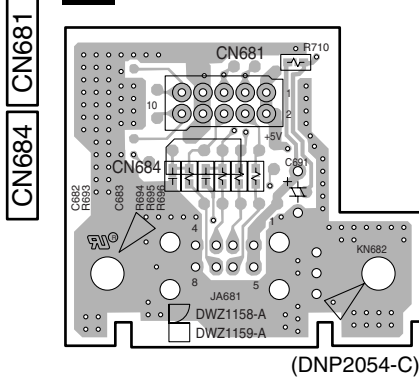
C

D

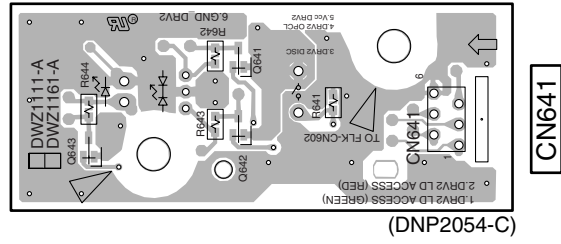
E

F

N USBB ASSY

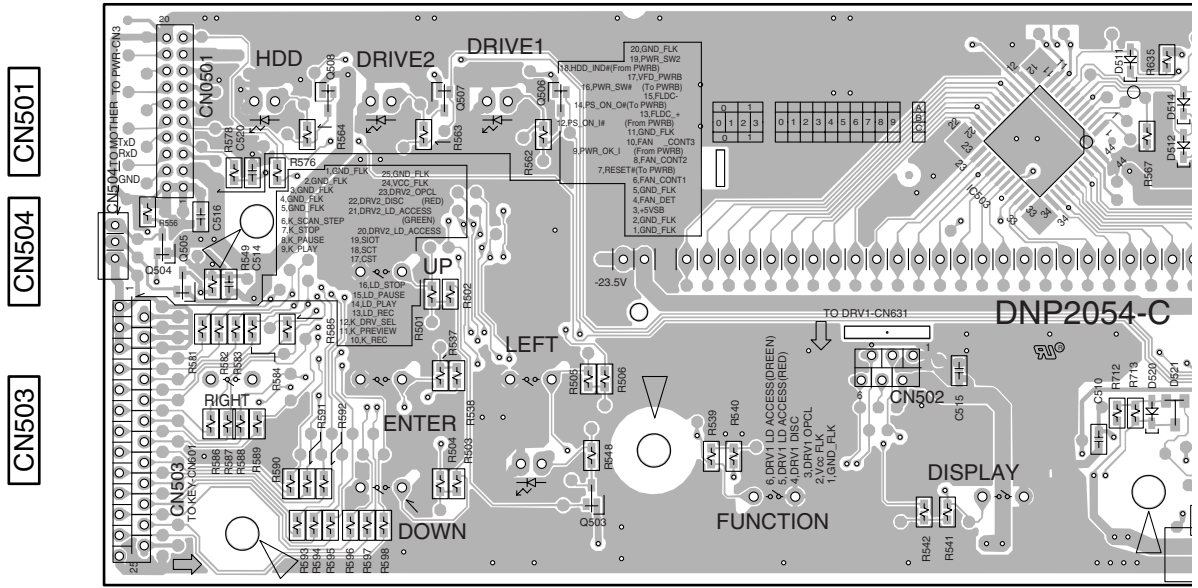


M DRV2B ASSY



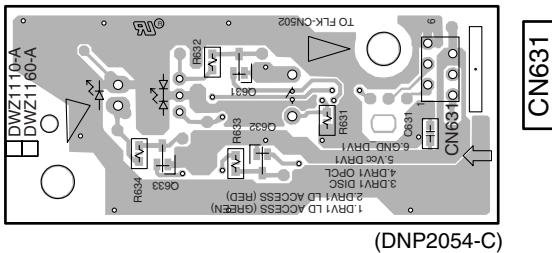
Q643 Q641
Q642 Q642

J FLKB(WYV/RB) ASSY



Q505 Q504 Q508 Q507 Q506 Q503 IC503

L DRV1B ASSY



Q631 Q633 Q632

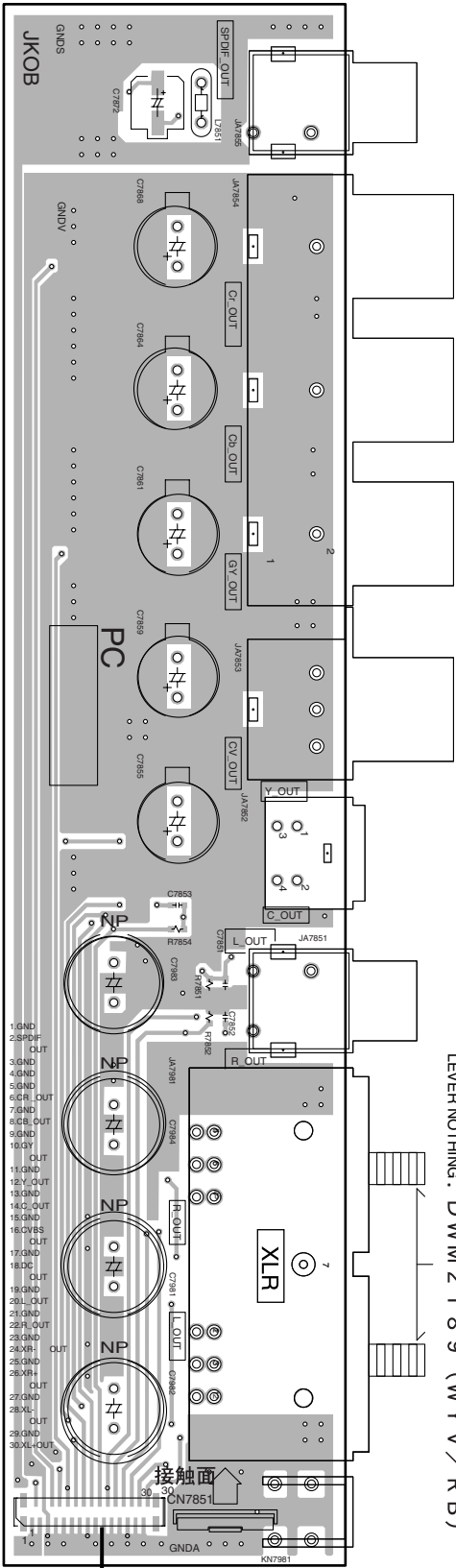
J L M N

4.7 JKOB ASSY

SIDE A

SIDE B

JKOB ASSY

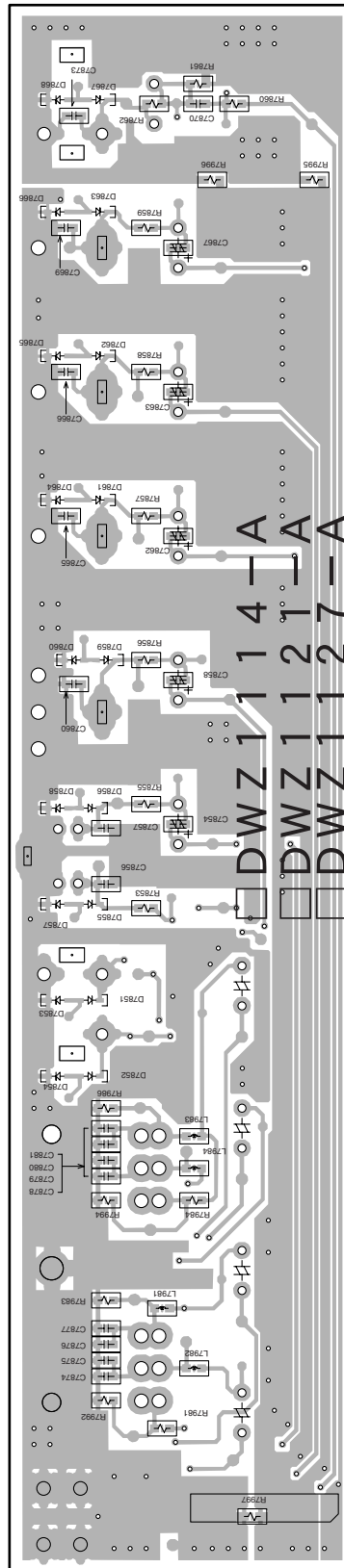


LEVER NOTHING: DWM 2 1 8 9 (W Y V / R B)

CN7851 (DNP2096-A)

A CN7802

JKOB ASSY

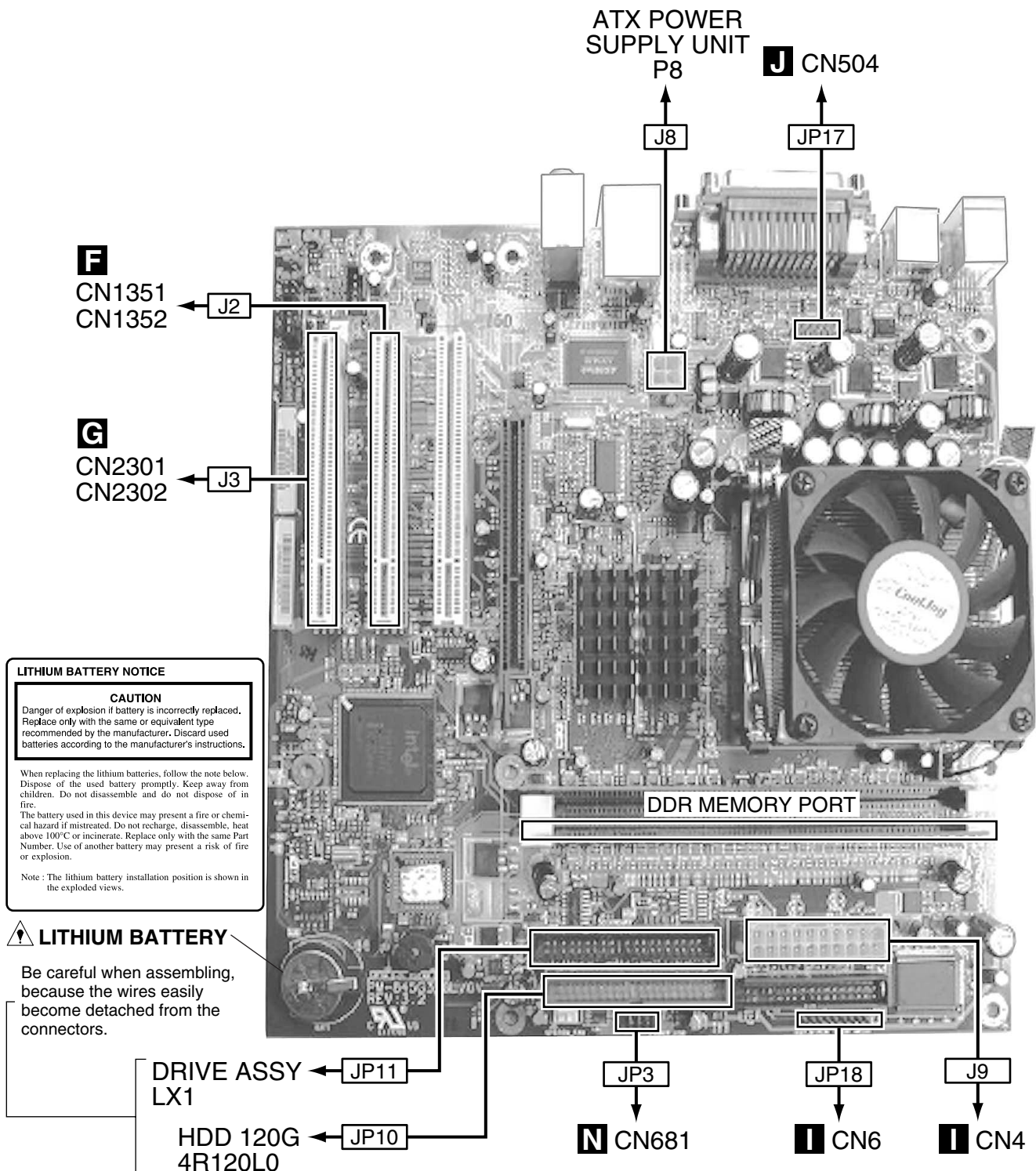


(DNP2096-A)

CN7851

4.8 MOTHER BOARD ASSY

Connection Diagram of the MOTHER BOARD ASSY



LITHIUM BATTERY NOTICE

CAUTION
 Danger of explosion if battery is incorrectly replaced. Replace only with the same or equivalent type recommended by the manufacturer. Discard used batteries according to the manufacturer's instructions.

When replacing the lithium batteries, follow the note below. Dispose of the used battery promptly. Keep away from children. Do not disassemble and do not dispose of in fire.
 The battery used in this device may present a fire or chemical hazard if mistreated. Do not recharge, disassemble, heat above 100°C or incinerate. Replace only with the same Part Number. Use of another battery may present a risk of fire or explosion.

Note : The lithium battery installation position is shown in the exploded views.

LITHIUM BATTERY

Be careful when assembling, because the wires easily become detached from the connectors.

J8 (DKP3656): For CPU_12 V.
 The connector has a different shape to prevent erroneous connection.

J9 (DKP3657): For ATX power supply.
 The connector has a different shape to prevent erroneous connection.

JP3 (DKP3646): For USB.
 The black tube is attached to the cable on the side of the Motherboard. The connector is designed to prevent erroneous connection to a 9-pin connector.

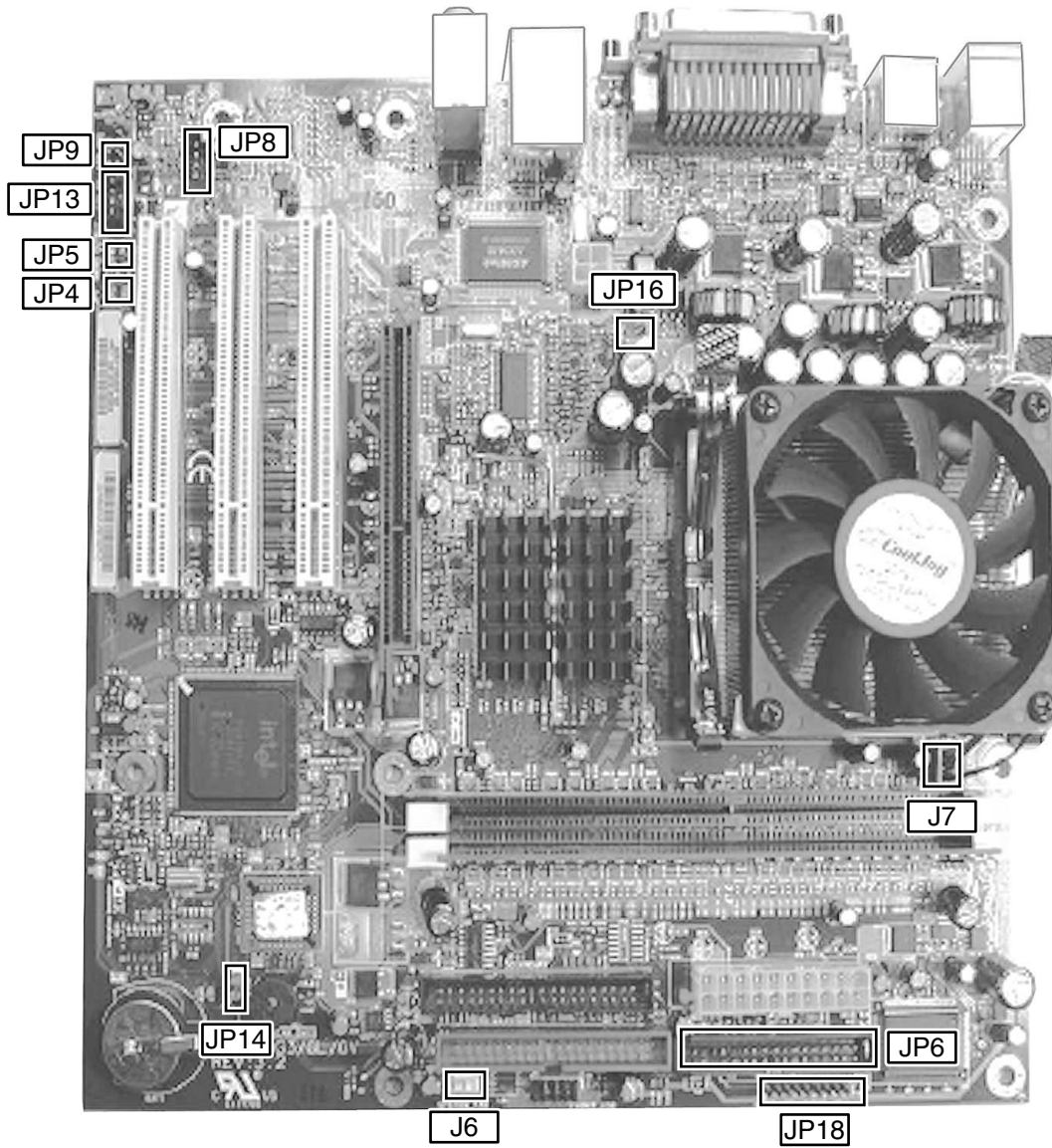
JP10 (DKP3647): For the IDE Primary (HDD).
 The connector has a different shape to prevent erroneous connection.

JP11 (DKP3648): For the IDE Secondary (DVD drive).
 The connector has a different shape to prevent erroneous connection.

JP17 (DKP3645): For COM2.
 To prevent erroneous connection to a 10-pin connector, some of the pin holes are filled.

JP18 (DKP3635): For FPIO.
 Be careful of the direction. Align the white mark with Pin 1. Make sure that the cable is not twisted after connection.

Notes on the Connectors Mounted on the MOTHER BOARD Assy



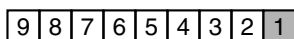
● Initial setting of the jumper switches

- The figure is a top view of a jumper switch.
- Above Pin 1 of a switch, a gray mark (shown in the figure on the right) is provided. With some switches, there will be a white mark above Pin 1 on the Motherboard.
- The position of the latch of a switch is indicated with a thick line, as shown in the figure on the right.
- The initial setting of a jumper switch is indicated by double lines, as shown in the figure on the right.



JP18 : Jumper switch for Power button, Reset, HDD LED, and Power LED

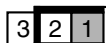
1 (-) - 2 (+)	IDE LED
3 (+) - 4 (+) 5 (-)	Power LED
6 (+) - 7 (-)	Power button
8 (-) - 9 (+)	Reset button



DKP3635 (Color of the cable: white) to Pin 1 of the jumper switch, as shown above.
If inappropriately connected, the unit will not start up.

JP14 : CMOS clear

- 1 - 2 : Position for normal use (factory-preset position)
- 2 - 3 : CMOS clear



JP4 : SERIRQ for PCI Slot 3

- OPEN : SERIRQ invalid (factory-preset position, SERIRQ not supported)
- SHORT : SERIRQ valid



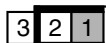
JP9 : Connector for audio and front panel

At the shipping, the jumper pins are connected to Pins 5-6 and Pins 9-10.

MIC_IN_FP	1	2	AUD_JACK_GND
MIC_BIAS	3	4	V_5P0_AUD_ANALOG
R_FNTOUT	5	6	R_RETIN
NOT connected	7	8	NOT connected
L_FNT_OUT	9	10	L_RETIN

JP16 : Selection of the clock frequency

- 1 - 2 : CPU select (factory-preset position)
- 2 - 3 : 100MHz
- EMPTY : 133MHz



J7 : CPU fan jumper switch

Connect a CPU fan whose rotation-speed monitoring is supported.

1	GND
2	+12V
3	CPU-fan-rotation-speed monitoring (by SIO)

Note: The CPU fan is installed in this unit at the factory.

No jumper pin or wire is connected to JP4, JP5, JP6, JP8, JP13, or J6.

5. PCB PARTS LIST

NOTES: ● Parts marked by "NSP" are generally unavailable because they are not in our Master Spare Parts List.

● The Δ mark found on some component parts indicates the importance of the safety factor of the part. Therefore, when replacing, be sure to use parts of identical designation.

● When ordering resistors, first convert resistance values into code form as shown in the following examples.

Ex.1 When there are 2 effective digits (any digit apart from 0), such as 560 ohm and 47k ohm (tolerance is shown by J=5%, and K=10%).

560 Ω \rightarrow 56 x 10¹ \rightarrow 561 RD1/4PU 561J
 47k Ω \rightarrow 47 x 10³ \rightarrow 473 RD1/4PU 473J
 0.5 Ω \rightarrow R50 RN2H R50K
 1 Ω \rightarrow 1R0 RS1P 1R0K

Ex.2 When there are 3 effective digits (such as in high precision metal film resistors).

5.62k Ω \rightarrow 562 x 10¹ \rightarrow 5621 RN1/4PC 5621F

LIST OF ASSEMBLIES

Mark No.	Description	Part No.
NSP 1..ETC1 ASSY		DWM2160
2..PWRB(POLY) ASSY		DWZ1129
2..FLKB(WYV/RB) ASSY		DWZ1164
2..KEYB(WYV/RB) ASSY		DWZ1157
2..USBB ASSY		DWZ1159
2..DRV1B ASSY		DWZ1160
2..DRV2B ASSY		DWZ1161

NSP 1..ETC2 ASSY		DWM2189
2..JKIB ASSY		DWZ1126
2..JKOB ASSY		DWZ1127
2..HPVB ASSY		DWZ1128
2..422IB ASSY		DWZ1133
2..JKDB ASSY		DWZ1134

1..PCIB ASSY		DWP1080
1..DECB ASSY		DWP1081
1..AVIB ASSY		DWV1202

Δ 1..MOTHER BOARD ASSY DXF1007(*1)

(*1)

- Replace the whole MOTHER BOARD Assy.
- No part in the MOTHER BOARD Assy is provided as a repair parts.
- MOTHER BOARD Assy is supplied with lithium battery.

COILS AND FILTERS

Mark No.	Description	Part No.
Q7702, Q7714, Q7716		2SA1037K
Q7409, Q7413, Q7414, Q7417, Q7420		2SA1576A
Q7423		2SA1576A
Q7831		2SC2412K
Q7415, Q7418, Q7421, Q7424, Q7425		2SC4081
Q7703-Q7712		2SD2114K
Q7412		2SK210
Q7426, Q7701, Q7713, Q7715		DTC114YK
Q7613		DTC143EK
Q7408, Q7410		HN1A01FU
Q7416, Q7419, Q7422		HN1B01FU
Q7407, Q7411		HN1C01FU
Q7401, Q7402, Q7404, Q7405		RN4982
Q7611, Q7612, Q7802-Q7804		RN4982
D7611-D7618, D7623, D7624, D7701		1SS355
D7401		MA111
D7619-D7622		SML-310DT
D7402-D7413, D7601-D7604		UDZ55R1(B)

COILS AND FILTERS

L7620, L7621, L7624, L7625	BTH1119
F7412, F7414-F7419, F7802, F7831	DTF1069
F7401-F7404	DTF1110
L7961-L7964	VTL1089

SWITCHES AND RELAYS

RY7611	BSR1014
--------	---------

SEMICONDUCTORS

Mark No.	Description	Part No.
Δ JKIB ASSY		
IC7401		BA7046F
IC7803		LA73054
IC7418, IC7423		MM1113XF
IC7403		MM1114XF
IC7404, IC7412, IC7414, IC7416, IC7422		MM1117XF
IC7409		MM1118XF
IC7701, IC7703, IC7704, IC7706		NJM4556AM
IC7707-IC7710		NJM5532MD
Δ IC7711		NJM78M05DL1A
IC7622		PST9245
IC7611, IC7614, IC7615, IC7618, IC7702		TC4W53FU
IC7705, IC7802		TC4W53FU
IC7402		TC7WH123FU
IC7405, IC7410, IC7413, IC7415		TK15420M
IC7419-IC7421		TK15420M
IC7612, IC7613, IC7616, IC7617		UPC4570G2
IC7619-IC7621		UPC4570G2

CAPACITORS

C7437, C7635, C7644, C7646, C7654	CCSRCH100D50
C7413, C7433, C7474, C7475, C7477	CCSRCH101J50
C7636, C7642, C7647, C7655, C7737	CCSRCH220J50
C7741, C7748, C7753, C7961, C7963	CCSRCH220J50
C7965, C7967	CCSRCH220J50
C7409, C7601, C7602	CCSRCH221J50
C7405	CCSRCH390J50
C7706, C7726	CCSRCH471J50
C7707, C7723	CCSRCH750J50
C7805, C7817	CEVW101M10
C7417, C7423, C7427, C7438	CEVW101M16
C7445, C7446, C7458, C7460, C7479	CEVW101M16
C7612, C7619, C7638, C7652	CEVW101M16
C7656-C7659, C7718, C7719, C7731	CEVW101M16
C7734, C7745	CEVW101M16
C7738, C7740, C7751, C7752	CEVW220M35
C7714	CEVW470M16
C7634, C7641, C7645, C7653	CEVWNP100M25
C7705, C7709, C7717, C7721, C7722	CEVWNP470M10
C7730	CEVWNP470M10

Mark No.	Description	Part No.
C7404		CKSRYB102K50
C7436, C7442, C7456, C7457, C7470		CKSRYB103K50
C7473, C7489, C7492, C7611		CKSRYB103K50
C7403, C7406, C7408, C7411, C7412		CKSRYB104K16
C7414, C7415, C7418, C7420, C7422		CKSRYB104K16
C7424-C7426, C7430, C7439-C7441		CKSRYB104K16
C7444, C7447, C7451, C7455, C7459		CKSRYB104K16
C7461, C7463, C7464, C7469, C7480		CKSRYB104K16
C7483, C7484, C7488, C7613		CKSRYB104K16
C7615, C7616, C7620-C7623		CKSRYB104K16
C7626, C7627, C7630, C7632, C7633		CKSRYB104K16
C7637, C7639, C7643, C7648, C7649		CKSRYB104K16
C7651, C7660, C7661, C7703, C7704		CKSRYB104K16
C7711-C7713, C7715, C7716, C7720		CKSRYB104K16
C7725, C7728, C7729, C7732, C7733		CKSRYB104K16
C7735, C7736, C7742, C7744, C7747		CKSRYB104K16
C7749, C7755, C7757, C7803, C7807		CKSRYB104K16
C7809, C7810, C7812, C7815, C7816		CKSRYB104K16
C7831		CKSRYB104K16
C7401, C7416, C7434, C7435, C7448		CKSRYB105K6R3
C7476, C7481, C7617, C7628, C7806		CKSRYB105K6R3
C7808, C7813, C7818		CKSRYB105K6R3
C7450, C7453, C7454, C7467, C7468		CSZSR100M16
C7486, C7487		CSZSR100M16

RESISTORS

R7706, R7724	RN1/16SE1602D
R7707, R7725	RN1/16SE3302D
R7479	RS1/16S1001F
R7444, R7448, R7484, R7506, R7550	RS1/16S1801F
R7449, R7450, R7485, R7486	RS1/16S2201F
R7507, R7508, R7551, R7552	RS1/16S2201F
R7446, R7457, R7459, R7460, R7480	RS1/16S4700F
R7492, R7493, R7518, R7519	RS1/16S4700F
R7557, R7558	RS1/16S4700F
R7451, R7487, R7509, R7553	RS1/16S5600F
R7431, R7470, R7500, R7537	RS1/16S5601F
R7466, R7467, R7476, R7478	RS1/16S7500F
R7502, R7503, R7533, R7534	RS1/16S7500F
R7419, R7420, R7434, R7524, R7525	RS1/16S75R0F
R7530	RS1/16S75R0F
Other Resistors	RS1/16S###J

OTHERS

CN7402 PH CONNECTOR	AKM1277
CN7613 PH CONNECTOR	AKM1278
JA7601 2P PIN JACK	BKB1017
CN7801, CN7802 CONNECTOR	CKS4361
JA7402 BNC CONNECTOR	DKN1267
JA7403 BNC CONNECTOR	DKN1268
JA7961 CANNON CONNECTOR	DKN1269
CN7701 8P CONNECTOR	S8B-ZR-SM3A
7401 PCB BINDER	VEF1040
JA7404 DV-TERMINAL	VKB1186
JA7401 4P MINIDINSOCKET	VKN1072
CN7611 20PCONNECTOR	VKN1589
KN7401, KN7402	VNF1084
WRAPPING TERMINAL	
KN7961 SCREW PLATE	VNE1948

Mark No.	Description	Part No.
----------	-------------	----------

BJKDB ASSY SEMICONDUCTORS

IC7901	DS8922M
IC7941	LM1881M
IC7921	LM361M
IC7923	NJM4558M
D7923, D7924	1SS355
D7925-D7927	SML-310DT
D7901-D7908, D7921, D7922	UDZS5R1(B)

COILS AND FILTERS

F7905, F7921-F7923, F7941	DTF1069
L7901-L7904, L7906-L7909	VTL1079

SWITCHES AND RELAYS

S7941	VSH1009
-------	---------

CAPACITORS

C7927, C7928	CCSRCH221J50
C7945	CCSRCH471J50
C7922, C7929	CEVW101M16
C7926, C7943	CEVW470M16
C7901, C7921, C7924, C7925	CKSRYB104K16
C7941, C7942, C7944	CKSRYB104K16

RESISTORS

R7901, R7907, R7909	RAB4C220J
R7943	RS1/16S75R0F
Other Resistors	RS1/16S###J

OTHERS

JA7941 BNC CONNECTOR	DKN1268
CN7901 D-SUB CONNECTOR	DKN1271
CN7902 11P CONNECTOR	S11B-ZR-SM3A
CN7941 ZR CONNECTOR	S2B-ZR-SM3A
CN7903 6P CONNECTOR	S6B-ZR-SM3A

C422IB ASSY SEMICONDUCTORS

D7951-D7958	UDZS5R1(B)
-------------	------------

OTHERS

CN7951 D-SUB CONNECTOR	DKN1271
CN7952 6P CONNECTOR	S6B-ZR-SM3A

DHPVB ASSY SEMICONDUCTORS

IC661	BH3544F
Q661	RN4982
D661	SML-310DT

COILS AND FILTERS

L661-L664	QTL1015
-----------	---------

CAPACITORS

C670, C671	CCSRCH101J50
C663, C668, C677	CEVW101M16
C675	CEVW470M16
C664, C676	CKSRYB104K16
C666, C673, C674	CKSRYB105K6R3

Mark No. Description**Part No.****Mark No. Description****Part No.****RESISTORS**

VR661
Other Resistors

DCS1063
RS1/16S###J

OTHERS

CN661 8P CONNECTOR
JA661 HEADPHONE JACK

S8B-ZR-SM3A
VKN1802

E JKOB ASSY SEMICONDUCTORS

D7851-D7868

UDZS5R1(B)

COILS AND FILTERS

L7981-L7984

VTL1089

CAPACITORS

C7857, C7860, C7865, C7866, C7869
C7874, C7877, C7878, C7881
C7851, C7852, C7873
C7856
C7981-C7984

CCSRCH101J50
CCSRCH220J50
CCSRCH221J50
CCSRCH390J50
CEANP471M10

C7855, C7859, C7861, C7864, C7868
C7872
C7853, C7854, C7858, C7862, C7863
C7867, C7870

CEAT102M10
CEVW101M10
CKSRYB104K16
CKSRYB104K16

RESISTORS

R7853, R7855-R7859
R7860
Other Resistors

RS1/16S68R0F
RS1/16S75R0F
RS1/16S###J

OTHERS

JA7851 2P PIN JACK
CN7851 CONNECTOR
JA7853 BN CCONNECTOR
JA7854 BN CCONNECTOR
JA7981 CANNON CONNECTOR

BKB1017
CKS4361
DKN1267
DKN1268
DKN1270

JA7855 1P PIN JACK
JA7852 4P MINI DIN SOCKET
KN7981 SCREW PLATE

VKB1159
VKN1072
VNE1948

F DECB ASSY SEMICONDUCTORS

IC1711
△IC1101
IC1411
IC1412
IC1211

ADV7172KST
BA033FP
BU2288FV
CY2081SL-655
HD6417709AF100B

△IC1351
IC1512
IC1611
IC1513
IC1413

ICP-S2.3
K4S641632H-TC75
K4S643232H-TC60
M65776AFP
NJM2100M

IC1751
IC1612
△IC1111
△IC1121
IC1391

PCM1716E
PD6454D8
PQ025EZ01ZP
PQ070XZ02ZP
PST9142N

IC1416-IC1418, IC1851-IC1853
IC1153, IC1415, IC1511, IC1651-IC1653
IC1172
IC1171
IC1392

SN74AHC2G53HDCT
TC74LCX541FT
TC74VHC04FT
TC74VHC125FT
TC74VHC14FT

IC1151, IC1414
IC1311
Q1811-Q1819
Q1752
Q1211

TC7WU04FU
XC2S100-5PQ208C
2SA1576A
2SC4081
2SK2033

Q1851
Q1411, Q1412, Q1471, Q1751, Q1852
Q1391
D1391, D1751
D1411

DTA124EUA
DTC124EUA
UMH1N
1SS355
1SV323

D1137
D1181, D1182, D1185, D1186, D1311

SML-310DT
SML-310YT

COILS AND FILTERS

F1152, F1153, F1412, F1651-F1653
F1851
F1751, F1755, F1756
L1151
L1411, L1462, L1781

DTF1069
DTF1069
VTF1096
VTL1084
VTL1157

CAPACITORS

C1233
C1234
C1212, C1213
C1415
C1426

CCSRCH180J50
CCSRCH220J50
CCSRCH471J50
CCSRCH560J50
CCSRCH5R0C50

C1102, C1111
C1462
C1121, C1414, C1417, C1711, C1717
C1752, C1759-C1761, C1782
C1393

CEVW100M16
CEVW101M10
CEVW101M6R3
CEVW101M6R3
CEVW1R0M50

C1104, C1113
C1123, C1216, C1333, C1335, C1516
C1523, C1615, C1622
C1101, C1115, C1154, C1171, C1424
C1427, C1651-C1653

CEVW220M6R3
CEVW221M4
CEVW221M4
CKSRYB103K50
CKSRYB103K50

C1153, C1172-C1174, C1183, C1211
C1214, C1215, C1218-C1232
C1311-C1332, C1337-C1342
C1353-C1356, C1363-C1368
C1375-C1377, C1391, C1392, C1413

CKSRYB104K16
CKSRYB104K16
CKSRYB104K16
CKSRYB104K16
CKSRYB104K16

C1416, C1421-C1423, C1461, C1463
C1512, C1513, C1518-C1522
C1524-C1529, C1533-C1539
C1541-C1551, C1611-C1614
C1617-C1621, C1624, C1713, C1716

CKSRYB104K16
CKSRYB104K16
CKSRYB104K16
CKSRYB104K16
CKSRYB104K16

C1718-C1725, C1751, C1753
C1755-C1758, C1762, C1763, C1781
C1783, C1851-C1853
C1412, C1418, C1419, C1474, C1511
C1515, C1530-C1532

CKSRYB104K16
CKSRYB104K16
CKSRYB104K16
CKSRYB105K6R3
CKSRYB105K6R3

C1420
C1103, C1112
C1411
C1754, C1764

CKSRYB332K50
CKSRYB334K10
CKSRYB472K50
CKSRYF105Z10

5	6	
Mark No.	Description	Part No.
RESISTORS		
R711-R714, R732, R734	RAB4C103J	
R745, R746, R755, R756	RAB4C103J	
R715-R731, R733, R735-R744	RAB4C220J	
R1123	RN1/16SE1001D	
R1439	RN1/16SE1202D	
R1420	RN1/16SE3000D	
R1438	RN1/16SE4701D	
R1411	RN1/16SE6800D	
R1824, R1828	RS1/16S1000F	
R1820	RS1/16S1500F	
R1719	RS1/16S1502F	
R1513	RS1/16S1801F	
R1829, R1833, R1835	RS1/16S2200F	
R1512	RS1/16S3001F	
R1520	RS1/16S3301F	
R1125	RS1/16S3900F	
R1724, R1734	RS1/16S4701F	
R1720	RS1/16S4702F	
R1813, R1816, R1821	RS1/16S62R0F	
R1723, R1732	RS1/16S6800F	
R1721	RS1/16S6801F	
R1811, R1815, R1818	RS1/16S82R0F	
R1522	RS1/8S4R7J	
Other Resistors	RS1/16S###J	

OTHERS

X1212 CRYSTAL RESONATOR	BSS1091
CN1811 CONNECTOR	CKS4361
CN1651 30P FLEXIBLE CONNECTOR	DKN1192
X1151 CHIP CERAMIC (40MHz)	DSS1101
X1411 CRYSTAL RESONATOR	DSS1117
CN1171 CONNECTOR 11P	S11B-ZR-SM3A
CN1471 ZR CONNECTOR	S2B-ZR-SM3A
CN1174 CONNECTOR 5P	S5B-ZR-SM3A
CN1172 CONNECTOR 6P	S6B-ZR-SM3A
CN1173 CONNECTOR 7P	S7B-ZR-SM3A
CN1183 7P FFC CONNECTOR	VKN1299
KN1811, KN1812	VNF1109

PCIB ASSY SEMICONDUCTORS

△ IC2302	BA033FP
IC2405	HD6417709AF100B
IC2003	HY57V641620HGT-7
IC2404	K4S643232H-TC60
IC2406	PD6453D8
IC2001	PE5219A
△ IC2305	PQ025EZ01ZP
△ IC2303	PQ070XZ02ZP
IC2306	PST9142N
IC2110	TC74LCX16245AFT
IC2002, IC2103-IC2108, IC2308, IC2403	TC74LCX541FT
IC2109	TC74LCX574FT
IC2407	TC74VHC04FT
IC2401	TC74VHC125FT
IC2307	TC74VHC14FT

7	8	
Mark No.	Description	Part No.
IC2304	TC7SH08FU	
IC2102	TC7WT126FU	
IC2402	TC7WU04FU	
IC2309	XC2S100-5PQ208C	
Q2301	UMH1N	
D2303	1SS355	
D2101, D2102, D2301	SML-310DT	
D2304-D2308	SML-310YT	
△ TH2301, TH2302	MINISMDC020	
△ TH2351	MINISMMDM160	

COILS AND FILTERS

F2003-F2006, F2306-F2308	DTF1070
F2401, F2402	DTF1070
F2301, F2302	VTH1040
L2101, L2403-L2409	VTL1079
L2001, L2002	VTL1084

CAPACITORS

C2180	CCSRCH101J50
C2447, C2448	CCSRCH180J50
C2412, C2413	CCSRCH471J50
C2301, C2303, C2304, C2306, C2307	CEVW100M16
C2309, C2311, C2313, C2314	CEVW100M16
C2317-C2319, C2333, C2337, C2416	CEVW100M16
C2418	CEVW100M16
C2323	CEVW1R0M50
C2001-C2003, C2026	CEVW221M4
C2308, C2310, C2315, C2320, C2322	CKSRYB103K50
C2324-C2332, C2336, C2338-C2348	CKSRYB103K50
C2350, C2351, C2353-C2373	CKSRYB103K50
C2401-C2405, C2408, C2409, C2411	CKSRYB103K50
C2414, C2415, C2417, C2419-C2430	CKSRYB103K50
C2432-C2446	CKSRYB103K50
C2004-C2022, C2024, C2025	CKSRYB104K16
C2027-C2031, C2101, C2102, C2107	CKSRYB104K16
C2122, C2143, C2146, C2156, C2168	CKSRYB104K16
C2190, C2194, C2321	CKSRYB104K16
C2117	CKSRYB105K6R3
C2305, C2312, C2316	CKSRYB224K10

RESISTORS

R2008-R2010, R2013, R2023-R2025	RAB4C0R0J
R2027, R2029, R2031	RAB4C0R0J
R2002, R2014-R2020, R2050, R2051	RAB4C103J
R2409-R2416	RAB4C103J
R2003-R2007, R2012, R2021, R2028	RAB4C220J
R2030, R2037, R2042, R2043	RAB4C220J
R2064-R2068, R2070-R2073	RAB4C220J
R2075-R2078, R2478-R2480, R2484	RAB4C220J
R2486, R2487, R2503-R2510	RAB4C220J
R2316	RN1/16SE1001D
R2313	RS1/16S3900F
Other Resistors	RS1/16S###J

OTHERS

CN2403 CONNECTOR 11P	B11B-ZR-SM3
CN2404 CONNECTOR 5P	B5B-ZR-SM3
CN2402 CONNECTOR 6P	B6B-ZR-SM3
CN2401 CONNECTOR 7P	B7B-ZR-SM3
X2402 CRYSTAL RESONATOR	BSS1091

Mark No. Description**Part No.****Mark No. Description****Part No.**

X2401 CHIPCERA LOCK(40MHz)
 CN2102 CONNECTOR 11P
 CN2101 4P CONNECTOR
 CN2405 7P FFC CONNECTOR
 CN2103, CN2104 50P CONNECTOR

DSS1101
 S11B-ZR-SM3A
 S4B-ZR-SM3A
 VKN1299
 VKN1590

L3501, L3502
 L3309
 F3205-F3207, F4002, F4003
 F5002-F5005, F7002-F7004
 F7006, F7007, F7501

LCYA100J2520
 LCYA1R2J2520
 VTF1171
 VTF1171
 VTF1171

KN2301, KN2302 EARTH METAL
 X2001 CRYSTAL RESONATOR

VNF1109
 VSS1138

L3312
 L3305-L3308, L3313, L3314
 L3319-L3321, L3323-L3328, L7008

VTL1078
 VTL1079
 VTL1079

CAPACITORS

C4026, C6037, C6042
 C4001, C4002
 C4025
 C3312, C7050-C7067
 C3810, C3811

CCSRCH102J50
 CCSRCH120J50
 CCSRCH221J50
 CCSRCH470J50
 CCSRCH471J50

C3315
 C3204, C3210, C3212
 C3207, C3213-C3215, C3224, C3225
 C3801, C3804, C3815, C3818
 C3309, C3310, C3320, C3509-C3511

CCSRCK2R0C50
 CEHVKW470M16
 CEVW101M16
 CEVW101M16
 CEVW101M6R3

C3522, C3526, C3533, C4012
 C6039, C6040
 C3317, C3507, C5010, C5011
 C5117, C5118, C6002, C6010, C6033
 C7005, C7007, C7009, C7021

CEVW101M6R3
 CEVW101M6R3
 CEVW221M4
 CEVW221M4
 CEVW221M4

C7024, C7025, C7503, C7505
 C3805-C3809, C3813, C3816, C3817
 C3513, C3534, C7012, C7013, C7018
 C7020, C7041
 C3311, C3529, C6043, C6046, C7014

CEVW221M4
 CEVW330M25
 CKSRYB102K50
 CKSRYB102K50
 CKSRYB103K50

C7016, C7019, C7040, C7043, C7504
 C3101-C3106, C3201-C3203
 C3205, C3206, C3208, C3209, C3211
 C3216-C3222, C3226, C3227
 C3301-C3308, C3314, C3316

CKSRYB103K50
 CKSRYB104K16
 CKSRYB104K16
 CKSRYB104K16
 CKSRYB104K16

C3318, C3319, C3321, C3322
 C3502-C3506, C3508, C3512
 C3514-C3521, C3523-C3525
 C3527, C3528, C3530-C3532
 C3535-C3537, C3539-C3542, C3544

CKSRYB104K16
 CKSRYB104K16
 CKSRYB104K16
 CKSRYB104K16
 CKSRYB104K16

C3547, C3549, C3550, C3802, C3803
 C3819, C4003-C4005, C4007
 C4009-C4011, C4013, C4015-C4017
 C4019-C4024, C4027, C4029-C4031
 C5002-C5009, C5012-C5023

CKSRYB104K16
 CKSRYB104K16
 CKSRYB104K16
 CKSRYB104K16
 CKSRYB104K16

C5026-C5034, C5036-C5054
 C5089-C5116, C6001, C6003-C6009
 C6011-C6032, C6034-C6036, C6038
 C6041, C6501, C6502, C7001-C7004
 C7006, C7008, C7010, C7011, C7015

CKSRYB104K16
 CKSRYB104K16
 CKSRYB104K16
 CKSRYB104K16
 CKSRYB104K16

C7017, C7022, C7023, C7026-C7039
 C7042, C7044-C7049, C7068-C7073
 C7501
 C3538, C3545, C3548
 C6045

CKSRYB104K16
 CKSRYB104K16
 CKSRYB104K16
 CKSRYB105K6R3
 CKSRYB472K50

C4014, C4018
 C6044
 VC3301 (20p)

CKSRYF105Z10
 CKSRYF224Z16
 VCM1008

**HAVIB ASSY
SEMICONDUCTORS**

IC3803
 IC6004
 IC7004
 △IC3205
 IC5001

BA4558F-HT
 CS8420-CSZD1
 DVXCEL-BA1
 ICP-S2.3
 M2V64S50DTP-6

IC3501
 IC3301

NJM13404V
 NJM2115M

△IC3202
 △IC3201, IC3203
 △IC3204

NJM78M05DL1A
 NJM78M09DL1A
 NJM79M09DL1A

IC3802
 IC3502
 IC5002
 IC6003
 IC3309

PCM1800-1
 PD0272A1
 PD6342A
 PE7004A
 PLL1700E

△IC7501
 IC3302, IC3306
 IC3004

PQ070XZ02ZP
 SN74AHC2G53HDC7
 TC74LCX16245AFT

IC3002, IC3003, IC3006, IC3007, IC3304
 IC3308, IC6501, IC6502, IC7001

TC74LCX541FT
 TC74LCX541FT

IC6005
 IC3005
 IC3310
 IC3307
 IC5003

TC74LCX74FT
 TC74VHCT541AFT
 TC74VHCU04FT
 TC7SH04F
 TC7SH08FU

IC3303, IC3305
 IC3801
 IC4002
 IC4001
 IC3804

TC7SLU04F
 TC9412AF
 TSB41AB2PAP
 TSB42AB4PDT
 UPC4570G2

IC6002
 IC7002, IC7003
 IC5004
 D3501-D3504, D3801-D3804
 D4001-D4008

UPD61003
 W986432DH-7
 XC2S50-5PQ208C
 1SS355
 1SS355

D3301
 D7002, D7003
 D3201-D3204
 D5001-D5005

1SV323
 EP10QY03
 SML-310DT
 SML-310YT

COILS AND FILTERS

F7502-F7505
 F3301-F3305, F3307-F3310, F3803
 F507
 F3201-F3204, F3208-F3210, F501
 F706, F707

CTF1558
 DTF1069
 DTF1069
 DTF1070
 DTF1070

Mark No.	Description	Part No.
RESISTORS		
R3526, R3534, R3538, R3542		RAB4C0R0J
R3555-R3557, R5027, R5035		RAB4C0R0J
R4019, R4020, R4027, R4028		RAB4C102J
R3504, R3505, R3540, R3546		RAB4C103J
R3548-R3551, R4010, R4056		RAB4C103J
R4067, R4068, R6030, R6036, R6040		RAB4C103J
R6044-R6046, R7091-R7095		RAB4C103J
R4005-R4009, R4011, R4021, R4022		RAB4C220J
R4030-R4032, R4039, R4047		RAB4C220J
R4057, R4058, R4065, R4069-R4074		RAB4C220J
R5002, R5003, R5005, R5006, R5010		RAB4C220J
R5015-R5017, R5021-R5025, R5031		RAB4C220J
R5034, R5036-R5041, R5043-R5045		RAB4C220J
R5047-R5054, R5056, R5057		RAB4C220J
R5076-R5079, R5082, R5084, R5088		RAB4C220J
R5091-R5094, R5770-R5774		RAB4C220J
R5776-R5782, R6001-R6007		RAB4C220J
R6022, R6023, R6028, R6029		RAB4C220J
R6032, R6033, R6037, R6038		RAB4C220J
R6041, R6042, R6048, R6049, R6063		RAB4C220J
R6070-R6072, R6074, R6075		RAB4C220J
R6525, R6526, R7003-R7006, R7044		RAB4C220J
R7056, R7063, R7068		RAB4C220J
R4033, R4034, R4042, R4043		RN1/16SC56R0D
R3306, R3331, R3335, R3336, R3340		RS1/10S0R0J
R3503, R3506, R3801, R3807		RS1/10S0R0J
R3814, R3815, R4012, R502		RS1/10S0R0J
R505, R506, R5101, R5102, R6008		RS1/10S0R0J
R6013, R6014, R6076, R6077, R7017		RS1/10S0R0J
R7096-R7098, R7501		RS1/10S0R0J
R7054		RS1/10S100J
R7053		RS1/10S150J
R7507		RS1/16S1001D
R3532		RS1/16S1001F
R3528		RS1/16S1002F
R3501		RS1/16S1003F
R3529		RS1/16S1301F
R3524		RS1/16S1802F
R3531		RS1/16S3601F
R7504		RS1/16S5600F
R4023		RS1/16S6341D
Other Resistors		RS1/16S###J

OTHERS

CN3203, CN3204 CONNECTOR 4P	AKM1275
CN4001 CONNECTOR 4P	B4B-ZR-SM3
CN3202 CONNECTOR	AKM1293
CN3201 PH CONNECTOR 14P	AKM1300
CN3301 CONNECTOR 4P	B4B-ZR-SM3
CN3001, CN3002 CONNECTOR	CKS3930
CN5501, CN5503, CN6002 CONNECTOR	CKS4361
CN5502 26P CONNECTOR	VKN1566
CN3501 CONNECTOR 20P	VKN1589
KN3001-KN3007	VNF1109
X3301 CRYSTAL RESONATOR (27.000MHz)	VSS1146
X4001 CRYSTAL RESONATOR (24.576MHz)	VSS1151

Mark No.	Description	Part No.
X7001	CRYSTAL RESONATOR (27.500MHz)	VSS1153

PWRB(POLY) ASSY SEMICONDUCTORS

IC401, IC451	AN8015SH
IC301	BA9743AFV
IC101	BP5232-25A
IC201	BP5233-33A
⚠ IC4-IC6	ICP-N10
⚠ IC8	ICP-S2.3
IC3	TC74HC05AF
Q101, Q201	2SA1037K
Q14-Q16, Q21, Q26, Q28	2SA1162
Q5, Q9	2SA1162
Q301, Q302, Q401, Q402, Q451	2SA1900
Q18-Q20	2SD2114K
Q24	DTA124EUA
Q1, Q12, Q13, Q2	DTC124EUA
Q22, Q23, Q25, Q29	DTC124EUA
Q3, Q4, Q6-Q8	DTC124EUA
Q10, Q17, Q27, Q30	UMH1N
D1, D14-D18, D2	1SS355
D20, D21, D23, D3-D8	1SS355
D302, D402, D403, D452, D453	RB400D
D10-D13, D19, D9	SML-310DT
D24, D25	SML-310YT
⚠ TH1	MINISMMD160

COILS AND FILTERS

L303	BTH1119
L301, L401	DTH1191
L451	DTH1192

SWITCHES AND RELAYS

RY1, RY2	BSR1014
----------	---------

CAPACITORS

C309, C407, C455	CCSRCH221J50
C101, C201, C90	CEAT102M16
C305, C306	CEAT470M35
C103, C203	CEAT471M10
C33, C35, C37	CEAT471M35
C21-C23, C308, C403, C453	CEVW100M35
C10, C12, C2, C4	CEVW100M50
C457, C458, C6, C8	CEVW100M50
C312-C314	CEVW101M10
C405	CEVW101M16
C410	CEVW330M35
C401, C451	CKSRYB102K50
C1, C11, C13-C16	CKSRYB103K50
C18-C20, C24, C29, C3	CKSRYB103K50
C32, C34, C36, C38-C45	CKSRYB103K50
C5, C7, C9	CKSRYB103K50
C315	CKSRYB104K16
C102, C202, C307, C310, C402	CKSRYF104Z25
C452	CKSRYF104Z25
C301, C304, C408, C456	CKSRYF105Z10
C404, C454	CSZS100M10
C311	CSZS330M6R3

Mark No. Description**Part No.****RESISTORS**

R409, R459	RN1/16SE1203D
R312, R318	RN1/16SE1502D
R112	RN1/16SE2402D
R212, R421	RN1/16SE2702D
R307	RN1/16SE3302D

R401, R453	RN1/16SE3601D
R311	RN1/16SE3902D
R464	RN1/16SE4702D
R319	RN1/16SE5102D
R306	RN1/16SE6202D

R403, R451	RN1/16SE8201D
R404, R455	RN1/16SE9101D
R101, R108, R201, R208	RS1/10S0R0J
R302, R303, R317, R408, R411	RS1/10S0R0J
R420, R452, R469, R85-R87	RS1/10S0R0J

R69, R70, R73, R74	RS1/10S270J
R77, R78	RS1/10S270J
R405, R456	RS1/10S680J
R308, R309	RS1/10S752J
VR201 (1k)	VCP1125

VR101 (2.2k)	VCP1127
Other Resistors	RS1/16S###J

OTHERS

CN3 PLUG 20-P	AKM1149
CN5 3P PH CONNECTOR	AKM1274
CN2 KRCONNECTOR 14P	B14B-PH-K-S
CN6 CONNECTOR 6P	B6B-ZR-SM3
CN1, CN4 FORAT XPSU CONNECTOR	DKN1272

CN9-CN11 PLUG (2P)	KM200SA2
KN1-KN3 WRAPPING TERMINAL	VNF1084

J FLKB(WYV/RB) ASSY**SEMICONDUCTORS**

IC501	PE5392B8
IC504	PST9142N
IC502, IC503	PT6315
IC505	RPM7140-H4
Q511	2SA1162

Q509	2SB1260
Q504, Q505	DTA124EUA
Q501, Q502, Q506-Q508	DTA143EUA
Q510	DTC124EUA
D501, D504, D511-D520	1SS355

D508-D510	SLR-343MC
D506	SPR-39MVWF(MN)
D502, D503, D505	UDZS6R2(B)

COILS AND FILTERS

L501	QTL1015
F501	VTH1009

SWITCHES AND RELAYS

S501-S507, S509	VSG1024
-----------------	---------

Mark No. Description**Part No.****CAPACITORS**

C521-C523	CEVW101M16
C503, C511	CEVW101M6R3
C513, C517-C520	CKSRYB103K50
C501, C502, C504-C509, C512	CKSRYF104Z25
C514-C516	CKSRYF104Z25

RESISTORS

All Resistors	RS1/16S###J
---------------	-------------

OTHERS

CN502 CONNECTOR 6P	52492-0620
CN503 CONNECTOR 25P	52492-2520
CN504 CONNECTOR 3P	53025-0310
CN501 PLUG20P	BKM1070
V501, V502 FL TUBE	DAW1019

0 LED SPACER	DEC2592
CN505 9P CONNECTOR	VKN1947
X501 CHIP CERAMIC RESONATOR (5MHz)	VSS1102

K KEYB(WYV/RB) ASSY**SEMICONDUCTORS**

Q602, Q605, Q609, Q612	DTA124EUA
D603, D606, D608, D611	NSPW310BS-4113
D613	UDZS6R2(B)

SWITCHES AND RELAYS

S601-S610	VSG1024
-----------	---------

CAPACITORS

C601, C602	CKSRYF104Z25
------------	--------------

RESISTORS

All Resistors	RS1/16S###J
---------------	-------------

OTHERS

CN602 CONNECTOR 6P	52492-0620
CN601 CONNECTOR 25P	52492-2520
CN603 CONNECTOR	VKN1943

L DRV1B ASSY**SEMICONDUCTORS**

Q631-Q633	DTA143EUA
D631	SLR-343DC
D632	SPR-39MVWF(MN)

SWITCHES AND RELAYS

S631	VSG1024
------	---------

CAPACITORS

C631	CKSRYF104Z25
------	--------------

RESISTORS

All Resistors	RS1/16S###J
---------------	-------------

OTHERS

CN631 CONNECTOR 6P	52492-0620
0 LED SPACER	DEC2592

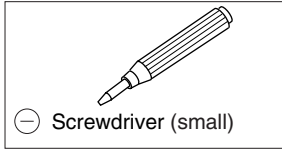
5	6	7	8
<u>Mark No.</u>	<u>Description</u>	<u>Part No.</u>	
M			
DRV2B ASSY			
SEMICONDUCTORS			
Q641-Q643		DTA143EUA	A
D641		SLR-343DC	
D642		SPR-39MVWF(MN)	
SWITCHES AND RELAYS			
S641		VSG1024	
CAPACITORS			
C641		CKSRYF104Z25	
RESISTORS			
All Resistors		RS1/16S###J	B
OTHERS			
CN641 CONNECTOR 6P		52492-0620	
0 LED SPACER		DEC2592	
N			
USBB ASSY			
SEMICONDUCTORS			
D681		SML-310DT	
CAPACITORS			
C684		CCSRCH102J50	C
C691		CEAT471M10	
C681		CKSRYF104Z25	
RESISTORS			
R706, R707		RS1/10S0R0J	
Other Resistors		RS1/16S###J	
OTHERS			
CN684 3P PH CONNECTOR		AKM1274	
JA681 USBCONNECTOR		DKN1273	
CN681 RF HEADER		DKN1274	
KN682 WRAPPING TERMINAL		VNF1084	D
E			
F			

6. ADJUSTMENT

6.1 27MHz CLOCK ADJUSTMENT



Jigs and Measuring Instruments



Necessary Adjustment Points

When

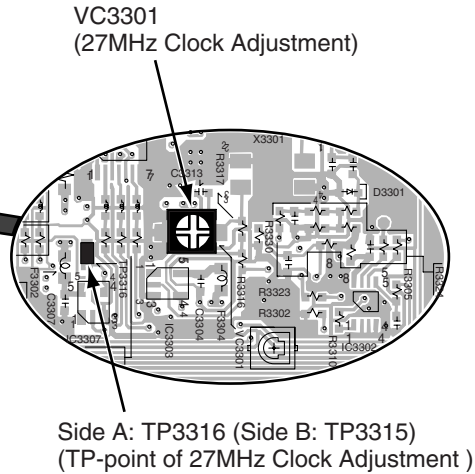
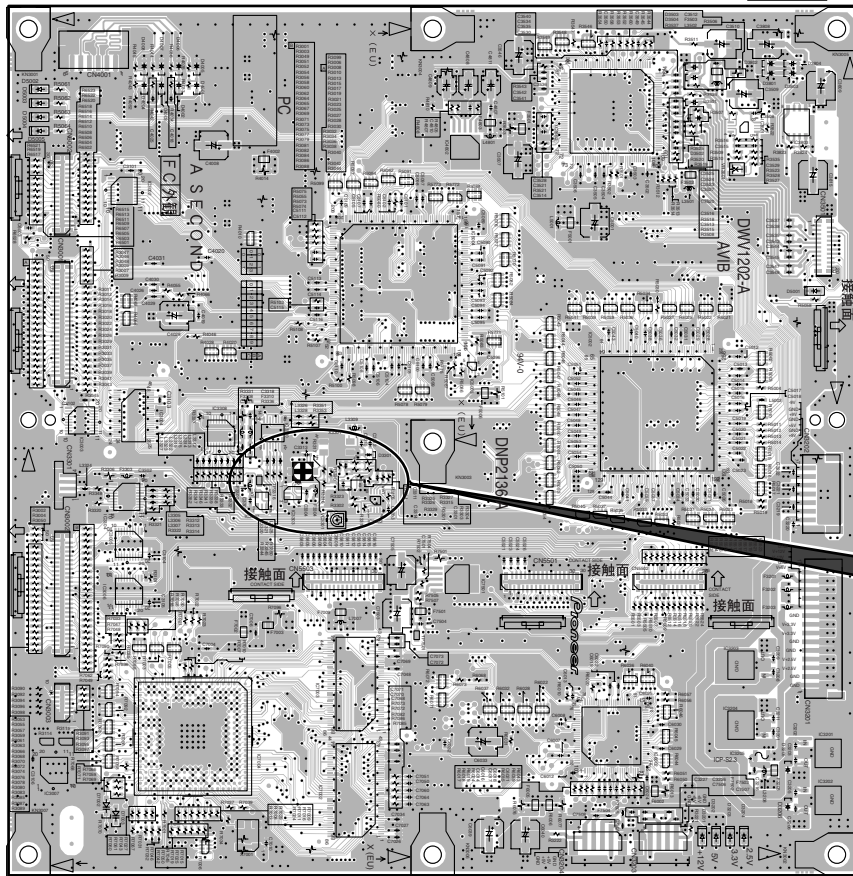
Exchange the AVIB Assy

Adjustment Points

VC3301
(27MHz Clock Adjustment)

Adjustment and Adjustment Points

AVIB ASSY

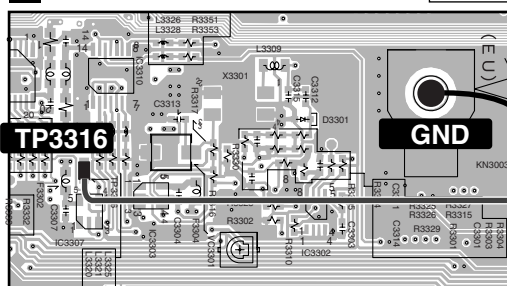


Front

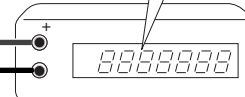
How to Adjust

Adjustment conditions: While adjusting, there must be no video input connected.

AVIB ASSY



27MHz ± 130Hz



7. GENERAL INFORMATION

7.1 DIAGNOSIS

7.1.1 TESTMODE

1) How to enter Test mode

Using the GGF1067 remote control unit for service, press the [ESC] key then the [TEST] key to enter Test mode. To quit Test mode, press the [ESC] key.

2) Description of various Test modes

2-1) FAN Test mode ([CX] - [0] to [7], [9])

After entering Test mode, press the [CX] key to enter FAN Test mode, then press a numeric key corresponding to a fan (fans) to be tested. The fans that can be tested are two fans in the front section and one fan in the rear section (a fan not used for the power-supply block).

- [0]: All fans ON
- [1]: All fans OFF
- [2]: Left fan in the front section ON (the other fans retain their previous statuses.)
- [3]: Left fan in the front section OFF (the other fans retain their previous statuses.)
- [4]: Right fan in the front section ON (the other fans retain their previous statuses.)
- [5]: Right fan in the front section OFF (the other fans retain their previous statuses.)
- [6]: The fan in the rear section ON (the other fans retain their previous statuses.)
- [7]: The fan at the rear section OFF (the other fans retain their previous statuses.)
- [9]: Terminating FAN Test mode

2-2) LED/FL Test mode ([P.RUN] - [0] , [1] , [2])

After entering Test mode, press the [P.RUN] key to enter LED/FL Test mode:

- [0]: Terminating LED/FL Test mode
- [1]: Lighting all LEDs and FLs
- [2]: Distinguishing all LEDs and FLs

2-3) Front-Panel-Button-Input Test mode ([TV/LDP])

After entering Test mode, press the [TV/LDP] key to enter Front-Panel-Button-Input Test mode then press all the buttons on the front panel one by one. The segments on the FL display are also extinguished one by one. When all buttons on the front panel are pressed, all segments except for the three on the right (two in a case of the 2-drive unit) are extinguished. When pressing the [STANDBY/ON] button, do NOT hold it pressed. Otherwise, the unit will be turned off. When pressed, some buttons may activate their corresponding operations.

- [0]: Terminating Front-Panel-Button-Input Test mode

2-4) System-Information-Display Test mode ([REP.A] - [0] , [1] to [9])

After entering Test mode, press the [REP.A] key to display data on the hardware.

[0]: Terminating System-Information-Display Test mode
[1]: Main

CPU : The data (operation clock) on the mounted CPU can be checked.

Memory : The capacity of installed memory can be checked.

User Data : The total vacant capacity in the User Data area on the HDD can be checked. This vacant capacity is different from that displayed in normal operation.

PCI : Whether the Encoder board or Decoder board can be recognized by Linux or not can be checked. Being recognized does not mean that the boards are operable, but if not recognized, the boards may have some trouble.

[2]: USB (The connected USB devices will be displayed.)

IMPORTANT: During the USB Test, if a connected USB device, such as a mouse, is operated, the unit may hang up.
Do NOT operate a connected USB device during the USB Test.

[3]: Network

IP Address/Netmask/MAC Address

If Network is set to ON on the Function menu, the IP address can be confirmed. If it is not set to ON, "!!!!!!NO ID ADDRESS!!!!!" is displayed.

10 base/100 base

The connection conditions of the network (Ethernet) can be confirmed:

No Link: No connection to the network

10base T: The 10BaseT standard is used. (This indication is also displayed when the hub used does not support 100Base.)

100base Tx-FD: The 100Base standard is used.

[4]: HDD (IDE Primary-Master)

Data on the HDD. The SMART data are also confirmed.

[5]: HDD (IDE Primary-Slave)

Normally, no data are displayed.

[6]: DVD-R/RW Drive 1

The data on Drive 1 are displayed.

[7]: DVD-R/RW Drive 2

The data on Drive 2 are displayed if it is connected.

[8]: DVD-R/RW Drive 1 error log

The error log for Drive 1 is displayed.

[9]: DVD-R/RW Drive 2 error log

The error log for Drive 2 is displayed if it is connected.

2-5) Loopback Test mode ([REP.B] - [0] , [1] to [4])

After entering Test mode, press the [REP.B] key to enter Loopback Test mode for the RS-422A and RS-232C ports:

[0]: Terminating Loopback Test mode

[1]: Starting the RS-422A Loopback Test

[2]: Starting the RS-232C Loopback Test

[3]: Starting the RS-422A Loopback Test (but stopping when an error is generated)

[4]: Starting the RS-232C Loopback Test (but stopping when an error is generated)

2-6) Clearing data on cumulative power-on time, etc. ([A.MON] - [0] , [1] , [7], [8] , [9])

After entering Test mode, press the [A.MON] key to enter Test mode for clearing data on cumulative power-on time, etc.:

- [0]: Clearing cumulative time for accessing to the HDD
- [1]: Clearing cumulative power-on time of the product (Cumulative time of accessing the HDD is not cleared.)
- [7]: Preparing to download the Setup file (obtainable via FTP for users)
- [8]: Copying the Setup file (obtainable via FTP for users)
- [9]: Copying the Log file (obtainable via FTP for users)

2-7) Error-Rate-Measurement Test mode ([PLAY])

After entering Test mode, insert a disc and press the [PLAY] key to enter Error-Rate-Measurement Test mode for Drive 1.

For measurement for Drive 2, press the [2] key. Measurement starts from address 0. To change the address for measurement, use [SCAN F] or [SCAN R].

- [SCAN F]: Advancing the address for measurement by 0x10000
- [SCAN R]: Setting the address for measurement back by 0x10000
- [1]: Starting measurement for Drive 1
- [2]: Starting measurement for Drive 2
- [OP/ST]: Terminating measurement

2-8) Test mode with result (OK/NG) displayed ([0] , [1] to [7])

After entering Test mode, press one of the numeric keys. The corresponding test will be performed and the result (OK/NG) is displayed.

To proceed to the next test and clear the OK/NG result, press the [CLEAR] key.

- [0]: Consecutive testing of [1] - [4] below (Testing stops when the test result becomes NG.)
- [1]: RS-422A Loopback Test
Perform this test after connecting the IN and OUT RS-422A ports with a cable.
- [1]: RS-232C Loopback Test
Perform this test after connecting the jig for loopback testing to the RS-232C port.
- [3]: LAN Test
Perform this test after connecting the unit to the valid network with a LAN cable.
- [4]: USB Test
Perform this test after connecting keyboards or mice to all the USB ports on the front and rear panels.
- [5]: Error Rate Test (Drive 1)
Perform this test after loading a disc into Drive 1.
- [6]: Error Rate Test (Drive 2)
Perform this test after loading a disc into Drive 2.
- [7]: LTC display
The LTC being input is displayed on the FL display. In this mode, OK/NG judgment is not performed.
- [CLEAR]: (When entered after one of the above test) To clear the result display

Note: About error-rate measurement, see the note on it in "7.1.2 List of Codes in Test Mode."

2-9) How to copy the Setup file to another PRV-LX10

- ① On a PRV-LX10 (hereinafter referred to as the PRV-LX10(S)) whose Setup file is to be copied, execute the command for copying the Setup file in Test mode for clearing data on cumulative power-on time, etc. ([ESC]-[TEST]-[A.MON]-[8]). See "2-6 Clearing data on cumulative power-on time, etc.".
- ② With a PC that is connected with the PRV-LX10(S) through a network, log in on the FTP server as described in the instruction manual (User name: PRVUser, password: prv-lx1). Then copy the Setup file (system.xml) from the first-layer directory.
- ③ Connect the PRV-LX10 (hereinafter referred to as the PRV-LX10(D)) that will receive the copied Setup file with the PC used in Step 2 above, through a network. Then log in on the FTP server (User name: PRVUser, password: prv-lx1) in the same way as in Step 2. Move the Setup file copied in Step 2 to the first-layer directory of the FTP server.
- ④ Execute the command for preparing for downloading the Setup file in Test mode for clearing data on cumulative power-on time, etc. ([ESC]-[TEST]-[A.MON]-[7]). See "2-6 Clearing data on cumulative power-on time, etc.".
- ⑤ Turn off the power to the PRV-LX10(D).
- ⑥ Turn on the power to the PRV-LX10(D) again. The new Setup file will be applied.

7.1.2 TEST MODE CODE

With the aid of the GGF1067 remote control unit for service, Test mode is operated.

No.	Code Input	Operation/Usage	Remarks	
1	[ESC]+[TEST]	TEST MODE		
2	[CX]	FAN TEST MODE		
3		[0]	All fans ON	
4		[1]	All fans OFF	
5		[2]	Left FAN ON	
6		[3]	Left FAN OFF	
7		[4]	Right FAN ON	
8		[5]	Right FAN OFF	
9		[6]	Rear FAN ON	
10		[7]	Rear FAN OFF	
11		[9]	Terminating	
12		[P.RUN]	LED/FL TEST	
13	[0]		All LEDs/FLs lit	
14	[1]		All LEDs/FLs extinguished	
15	[2]	Terminating		
16	[TV/LDP]	Starting Front-Panel-Button-Input Test mode	Each time a button on the front panel is pressed, one segment on the FL display is extinguished.	
17		[0]	Terminating	
18	[STEREO]+[8]	Drive 1 Region display		
19	[STEREO]+[9]	Drive 2 Region display	Effective when an optional drive is mounted	
20	[REP.A]	System information display		
21		[0]	Terminating	
22		[1]	Main system information display	Built-in CPU (operation clock), capacity of the installed memory devices, vacant HDD capacity for User Data, recognition of PCI Boards (Encoder/Decoder)
23		[2]	USB-related data display	Data on the connected devices
24		[3]	Network-related data display	When Network is set to ON: Confirmation of IP address/Netmask/MAC address display, connection conditions (No Link/10BaseT/100Base Tx-FD)
25		[4]	Primary Master Drive data display	HDD SMART data display
26		[5]	Primary Slave Drive data display	Normally, no drive connected
27		[6]	Secondary Master Drive data display	
28		[7]	Secondary Slave Drive data display	Effective when an optional drive is mounted
29		[8]	Drive 1 error log	
30		[9]	Drive 2 error log	Effective when an optional drive is mounted
31	[REP.B]	Loopback TEST		
32		[0]	Terminating	
33		[1]	RS-422A Loopback TEST	
34		[2]	RS-232C Loopback TEST	
35		[3]	RS-422A Loopback TEST (Error Stop)	
36	[4]	RS-232C Loopback TEST (Error Stop)		
37	[A.MON]	Power On Time Clear		
38		[0]	HDD Access Time	
39		[1]	Power On Time	
40		[7]	Preparing to download the Setup file	Obtainable via FTP for users
41		[8]	Copying the Setup file	Obtainable via FTP for users
42	[9]	Copying the Log file	Obtainable via FTP for users	
43	[PLAY]	Error Rate TEST		
44		[SCAN F]	+0x10000	
45		[SCAN R]	-0x10000	
46		[1]	Starting measurement for Drive 1	
47		[2]	Starting measurement for Drive 2	
48		[OP/ST]	Terminating measurement	
49	[0]	External I/F TEST (NG STOP)	Consecutive testing from 1 to 4	
50	[1]	RS-422A Loopback TEST	REMOTE IN-OUT connection	
51	[2]	RS-232C Loopback TEST	TXD-RXD connection	
52	[3]	LAN TEST	DHCP setting, obtaining an IP address	

No.	Code Input	Operation/Usage	Remarks				
53	[4]	USB TEST	USB devices must be connected to four ports. Do not operate the connected USB devices during the USB test. For example, if the connected mouse is operated during the USB test, the unit may hang up.				
54	[5]	Error Rate TEST (Drive 1)	The error rate is measured at 0x30000 three times, and the average value is judged. The command must be input during playback stop. <table border="1"> <tr> <td>ROM</td> <td>Th value 3.3x10E-3</td> </tr> <tr> <td>R, RW</td> <td>Th value 3.3x10E-3</td> </tr> </table>	ROM	Th value 3.3x10E-3	R, RW	Th value 3.3x10E-3
ROM	Th value 3.3x10E-3						
R, RW	Th value 3.3x10E-3						
55	[6]	Error Rate TEST (Drive 2)	Effective when an optional drive is mounted				
56	[7]	LTC display	Input TC is displayed on the FL display				
57	[CLEAR]	Terminating result display					
58	[ESC]	Canceling Test mode					
59	[ESC+][PAUSE]	Shortcut command					
60	[1]	V IN- Composite					
61	[2]	V IN-S					
62	[3]	V IN-Component (Beta)					
63	[4]	V IN-Component (SMPTE)					
64	[5]	V IN-DV					
65	[6]	V IN-SDI	Effective when an optional board is mounted				
66	[7]	A IN-RCA					
67	[8]	A IN-XLR					
68	[9]	A IN-DV					
69	[0]	A IN-SDI	Effective when an optional board is mounted				
70	[+10]	A IN-AES/EBU	Effective when an optional board is mounted				
71	[TEST]	Target DRV - HDD					
72	[CX]	Target DRV - DVD 1					
73	[REP.A]	Target DRV - DVD 2	Effective when an optional board is mounted				
74	[REP.B]	Target DRV - DVD 1 & 2	Effective when an optional board is mounted				
75	[STEREO]	External Sync. OFF	Effective only during playback or recording stop				
76	[P.RUN]	External Sync. NTSC	Effective only during playback or recording stop				
77	[A.MON]	External Sync. PAL	Effective only during playback or recording stop				
78	[SPEED-]	Progressive OFF	Effective only during playback or recording stop				
79	[SPEED+]	Progressive ON	Effective only during playback or recording stop				
80	[SIDE.A]	TC PORT - LTC					
81	[SIDE.B]	TC PORT - RS-422A					
82	[TV/LDP]	TC PORT - DV					
83	[SCAN.F]	DV OUT ON					
84	[SCAN.R]	DV OUT OFF					
85	[x3 FWD]	REC					
86	[x3 REV]	REC STOP					
87	[STEP F]	Initialize					
88	[STEP R]	Finalize					
89	[ESC+][OPEN/STOP]	Open/Close					
90	[ESC+][DISP]	Display of data for debugging-Page 1: System data					
91	[DISP]	To next page	Page 1: DVD-playback-related data, FAN/PS-ON operation data, destination/region data (DECB/DRV1/DRV2), GUID data Page 2: DVD-playback-related data Page 3: Decoding-related data (DECB) Page 4: Encoding-related data (PCIB/AVIB) Page 5: Encoding-related data (APL) Page 6: Linux-related data				

- How the [ESC] code is processed
 - When the [ESC] code is received, ESCAPE mode is entered, but in combination with the code(s) that follow(s), a specific meaning is added.
 - ESCAPE mode is canceled if another code is received after the [ESC] code.
 - If [ESC] codes are received continuously, ESCAPE mode is retained.
- For playback-related operations, use the remote control unit supplied with the main unit.

- The factory preset mode of the unit at power-on is Standby. To start up the unit, press the [STOP] button, then press the [STANDBY/ON] button while in Standby mode.
- If the error rate being measured is distinctly degraded because of scratches on the media or defective media, a command cannot be sent from the drive, and proper error-rate-measurement may not be performed. If an error rate is not displayed, or OK/NG is not displayed on the monitor, restart the PRV-LX10 (by resetting the drive) and perform the error-rate-measurement again.

7.1.3 LED SPECIFICATIONS

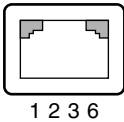
LED specifications

Assy	ST LED	Function	Operation while the LED is lit/remarks	Checker Chip	Monitor Point	
PWRB(POLY) Assy (DWZ1129)	D9	HDD_IND	HDD access indicator	In the process of accessing the HDD	-	
	D10	V+5VSB	Confirming STB +5 V power supply	Outputting +5 VSB from ATX power supply		
	D11	V+5V	Confirming +5 V power supply	Outputting +5 V from ATX power supply		
	D12	V+3.3VD	Confirming +3.3 V power supply	Outputting +3.3 V from IC201		
	D13	V+2.5VD	Confirming +2.5 V power supply	Outputting +2.5 V from IC101		
	D19	V+5VSB_M	Confirming STB +5 V power supply for MB	Outputting +5 VSB from RY1		
	D24	FAN_DET	Confirming fan operation	STB or normal operation (rotation) of fans A fan being stopped by the fan control signal is not detected. Without an optional drive: Monitoring the rear fan and the fan for Drive 1 With an optional drive: Monitoring the rear fan and the fans for Drives 1 and 2		
D25	PS_ON	Confirming PS_ON signal from the MB output	STB, or MB output set to H When D25 is lit, D11/12/13 are not lit (ATX power output disabled) Sequences: 1. When the Power switch on the rear panel is turned ON, D10, D24, and D25 light. 2. When the STANDBY/ON button on the front panel is set to ON, D19 lights, D25 is extinguished, D11, D12, and D13 light, then USBB D681 lights.			
FLKB(WYV/RB) Assy	-			-		
KEYB(WYV/RB) Assy	-			-		
USB Ass'y (DWZ1159)	D681	USB_PWR	Confirming the power supply to USBB	Outputting +5 V from PWRB RY2, supplying USB_PWR to USB terminals on the front panel	-	
DRV1B Ass'y (DWZ1160)	-			-		
DRV2B Ass'y (DWZ1161)	-			-		
JKIB Ass'y (DWZ1126)	D7619	V+9V	Confirming +9 V supply for video	Outputting +9 V from AVIB IC3201	-	
	D7620	V+9A	Confirming +9 V supply for audio	Outputting +9 V from AVIB IC3203		
	D7621	V-9A	Confirming -9 V supply for audio	Outputting -9 V from AVIB IC3204		
	D7622	V+5A	Confirming +5 V supply for video	Outputting +5 V from AVIB IC3202		
JKOB Ass'y (DWZ1127)	-			-		
HPVB Ass'y (DWZ1128)	D661	V+5HP	Confirming +5 V supply	Outputting +5 V from JKIB IC7711	-	
422IB Ass'y (DWZ1133)	-			-		
JKDB Ass'y (DWZ1134)	D7925	V+12_LTC	Confirming +12 V supply for LTC	Outputting +12 V from MB via PCIB	-	
	D7926	V-12_LTC	Confirming -12 V supply for LTC	Outputting -12 V from MB via PCIB		
	D7927	V+5D	Confirming +5 V supply	Outputting +5 V from MB via PCIB		

Assy	ST LED	Function	Operation while the LED is lit/remarks	Checker Chip	Monitor Point																									
PCIB Assy (DWP1080)	D2101	V-12V	Confirming PCI-12 V supply	Outputting -12 V from MB	TP2034	54MHz clock																								
	D2102	V+12V	Confirming PCI+12 V supply	Outputting +12 V from MB	TP2111	-12 V power supply																								
	D2301	V+5M	Confirming PCI+5 V supply	Outputting +5 V from MB, normal operation of TH2351 (Poly switch)	TP2112	+12 V power supply																								
	D2304	FPGA_ACTIVE	Confirming Xilinx operational status	Default: lit (Config. completed), during Master transmission: flashing	TP2113	27MHz clock																								
	D2305	PTD [0]	Confirming encoder operational status (0)	Error display on startup <table border="1"> <thead> <tr> <th>Device check</th> <th>[3] [2] [1] [0]</th> </tr> </thead> <tbody> <tr> <td>No error</td> <td>0000</td> </tr> <tr> <td>PCIB Xilinx (IC2309)</td> <td>0001</td> </tr> <tr> <td>AVIB Xilinx (IC5004)</td> <td>0010</td> </tr> <tr> <td>reserved</td> <td>0011</td> </tr> <tr> <td>SDRAM (IC2404)</td> <td>0100</td> </tr> <tr> <td>Slalom (IC2001)</td> <td>0101</td> </tr> <tr> <td>Slalom SDRAM (IC2003)</td> <td>0110</td> </tr> <tr> <td>George (IC3502)</td> <td>0111</td> </tr> <tr> <td>Vaikilt (IC5002)</td> <td>1000</td> </tr> <tr> <td>Aprilia (IC6003)</td> <td>1001</td> </tr> <tr> <td>Celynx (IC4001)</td> <td>1010</td> </tr> </tbody> </table> Notes: • When encoding starts after the device check, the LED display changes to the encode debugging display. • If errors are generated simultaneously for several devices, the error of the highest-priority device is displayed.	Device check	[3] [2] [1] [0]	No error	0000	PCIB Xilinx (IC2309)	0001	AVIB Xilinx (IC5004)	0010	reserved	0011	SDRAM (IC2404)	0100	Slalom (IC2001)	0101	Slalom SDRAM (IC2003)	0110	George (IC3502)	0111	Vaikilt (IC5002)	1000	Aprilia (IC6003)	1001	Celynx (IC4001)	1010	TP2304	GND
	Device check	[3] [2] [1] [0]																												
	No error	0000																												
	PCIB Xilinx (IC2309)	0001																												
	AVIB Xilinx (IC5004)	0010																												
	reserved	0011																												
	SDRAM (IC2404)	0100																												
	Slalom (IC2001)	0101																												
	Slalom SDRAM (IC2003)	0110																												
George (IC3502)	0111																													
Vaikilt (IC5002)	1000																													
Aprilia (IC6003)	1001																													
Celynx (IC4001)	1010																													
D2306	PTD [1]	Confirming encoder operational status (1)	TP2305	GND																										
D2307	PTD [2]	Confirming encoder operational status (2)	TP2306	+2.5 V power supply																										
D2308	PTD [3]	Confirming encoder operational status (3)	TP2307	+5 V power supply																										
			TP2308	+5 V power supply (after passing TH point at the Poly switch)																										
			TP2401	+3.3 V power supply																										
			TP2402	+1.8 V power supply																										
			TP2403	32.768kHz clock																										
			TP2404	40-MHz clock																										
DECB Assy (DWP1081)	D1137	V+SH3	Confirming +1.8V-supply for SH3	Outputting +1.8 V from IC1121 During normal operation:	TP1101	GND																								
	D1181	PTD [0]			TP1102	GND																								
	D1182	PTD [1]			TP1103	GND																								
	D1185	PTD [2]			TP1104	GND																								
	D1186	PTD [3]			TP1111	GND																								
			Confirming DECB operational status	Error Status: <table border="1"> <tbody> <tr> <td>Failure in writing to flash</td> <td>All LEDs lit</td> </tr> <tr> <td>Xilinx configuration error</td> <td>All LEDs flashing (at intervals of 1 sec)</td> </tr> <tr> <td>SH SDRAM error</td> <td>D1181 lights.</td> </tr> <tr> <td>Video encoder Initialize error</td> <td>D1182 lights.</td> </tr> <tr> <td>AV1 initialize error</td> <td>D1185 lights.</td> </tr> <tr> <td>AV1 SDRAM error</td> <td>D1186 lights.</td> </tr> </tbody> </table> Default: Lit (Config. completed), during transmission of SH3-AV1 data: flashing, then extinguished when Xilinx is written to the FIFO stack, and lit when the stack is empty (FIFO EMPTY).	Failure in writing to flash	All LEDs lit	Xilinx configuration error	All LEDs flashing (at intervals of 1 sec)	SH SDRAM error	D1181 lights.	Video encoder Initialize error	D1182 lights.	AV1 initialize error	D1185 lights.	AV1 SDRAM error	D1186 lights.	TP1112	GND												
	Failure in writing to flash	All LEDs lit																												
	Xilinx configuration error	All LEDs flashing (at intervals of 1 sec)																												
	SH SDRAM error	D1181 lights.																												
	Video encoder Initialize error	D1182 lights.																												
	AV1 initialize error	D1185 lights.																												
	AV1 SDRAM error	D1186 lights.																												
				TP1113	GND																									
				TP1114	GND																									
				TP1152	40MHz																									
				TP1211	1.8V																									
				TP1212	3.3V																									
		Confirming Xilinx operational status	TP1311	2.5V																										
D1311	FPGA ACTIVE		TP1312	3.3V																										
			TP1413	27MHz																										
			TP1414	16.9344MHz																										
			TP1511	3.3V																										
			TP1512	1.8V																										
			TP1781	GND																										
			TP1782	GND																										
			TP1785	12V																										
			TP1787	5V																										
		TP1953	5V																											
		TP1954	5V																											
		TP1957	3.3V																											
		TP1958	3.3V																											
		TP1961	2.5V																											
		TP1962	2.5V																											
		TP1965	1.8V																											
		TP1966	1.8V																											
		TP1969	1.8V																											
		TP1970	1.8V																											

Assy	ST LED	Function	Operation while the LED is lit/remarks	Checker Chip	Monitor Point	
AVIB Assy (DWV1202)	D3201	V+12I	Confirming +12 V supply	Outputting +12 V from PWRB	-	
	D3202	V+5DI	Confirming +5 V supply	Outputting +5 V from PWRB, normal operation of IC3205 (ICP-S2.3)		
	D3203	V+3_3I	Confirming +3.3 V supply	Outputting +3.3 V from PWRB		
	D3204	V+2_5I	Confirming +2.5 V supply	Outputting +2.5 V from PWRB		
	D5001	ENC OK	Confirming Xilinx operational status	Default: lit (Config. completed), during ENC operation: flashing		
	D5002	WMKD7	Confirming encoder operational status (3)	Error indications at startup are the same as for PCIB D2305-D2308.		
	D5003	WMKD6	Confirming encoder operational status (2)			
	D5004	WMKD5	Confirming encoder operational status (1)			
D5005	WMKD4	Confirming encoder operational status (0)				

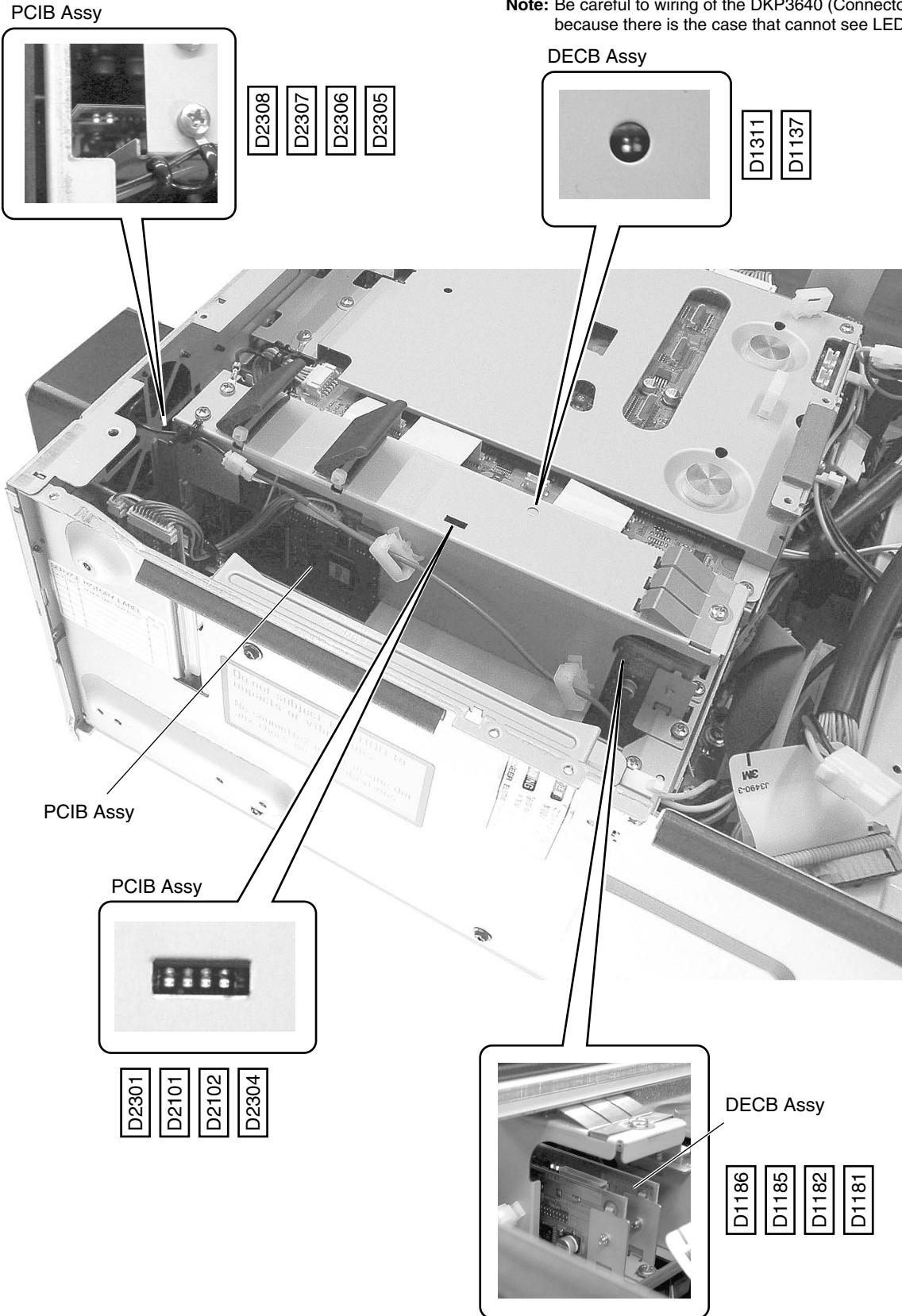
Announcement functions of the LED and buzzer

Item	Function	Description	Remarks										
Buzzer													
1	Protection of the HD boot sector	Protection of the HD boot sector (security function against computer viruses)	The warning message is displayed, with repeated peep sound.										
2	Video error	This code indicates that a video error was generated. The BIOS cannot initialize the video screen for displaying additional data.	Following two peeps, a single beep sounds.										
3	DRAM error	This code indicates that a DRAM error was generated.	Repeated beeps sound.										
LED													
1	Power LED	S0 mode	LED ON										
		S1 mode	The LED flashes at a 1-Hz rate.	The LED flashes once per second.									
		S3 mode	The LED flashes at a 1-Hz rate.	The LED flashes once per second.									
		S4 mode	LED off										
		S5 mode	LED off										
2	HDD LED	The LED flashes.	The LED flashes while the data are being accessed (read/write).										
3	RJ45 LED	100M	Green LED ON										
		10M	Green LED OFF										
		Link	Yellow LED flashes										
		Active	Yellow LED ON										
			<table border="1"> <thead> <tr> <th>No.</th> <th>Signal</th> </tr> </thead> <tbody> <tr> <td>1</td> <td>TD+</td> </tr> <tr> <td>2</td> <td>TD-</td> </tr> <tr> <td>3</td> <td>RX+</td> </tr> <tr> <td>6</td> <td>RX-</td> </tr> </tbody> </table>	No.	Signal	1	TD+	2	TD-	3	RX+	6	RX-
No.	Signal												
1	TD+												
2	TD-												
3	RX+												
6	RX-												

ST LED arrangement diagram of the PCIB and DECB Assys

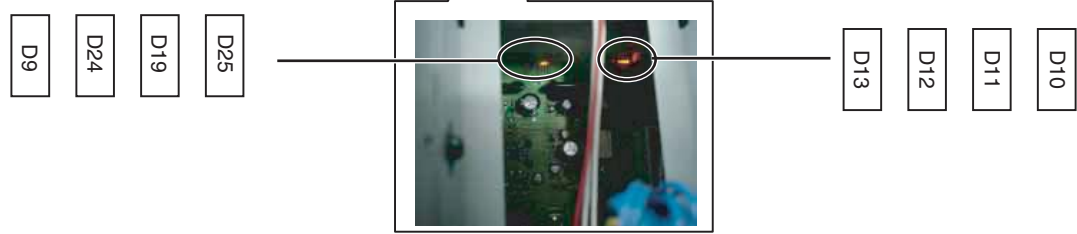
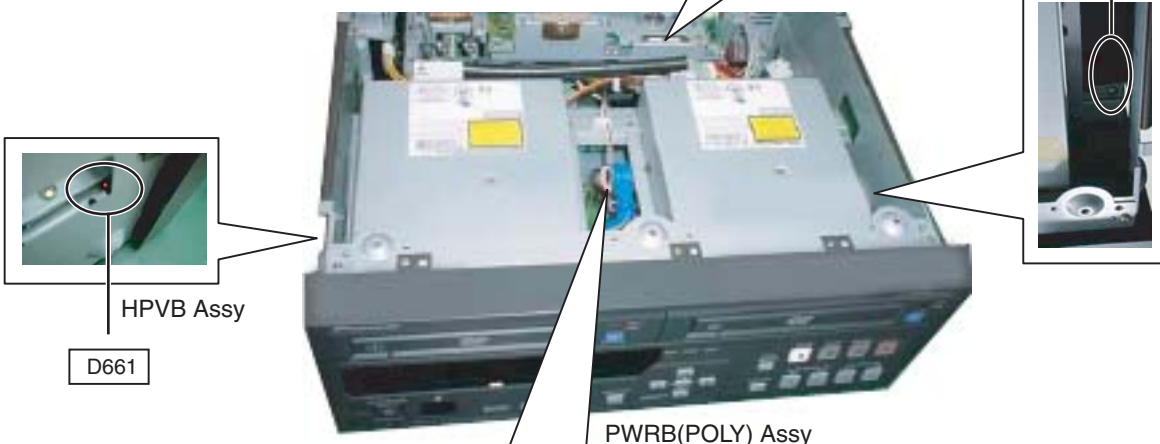
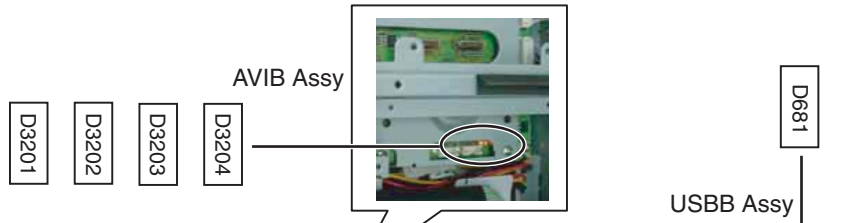
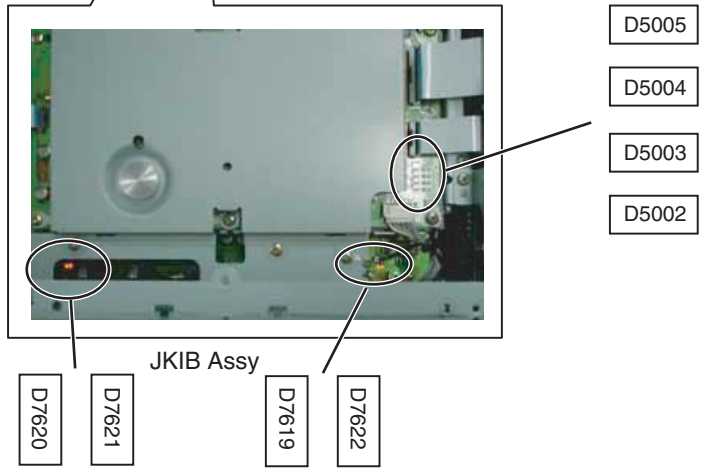
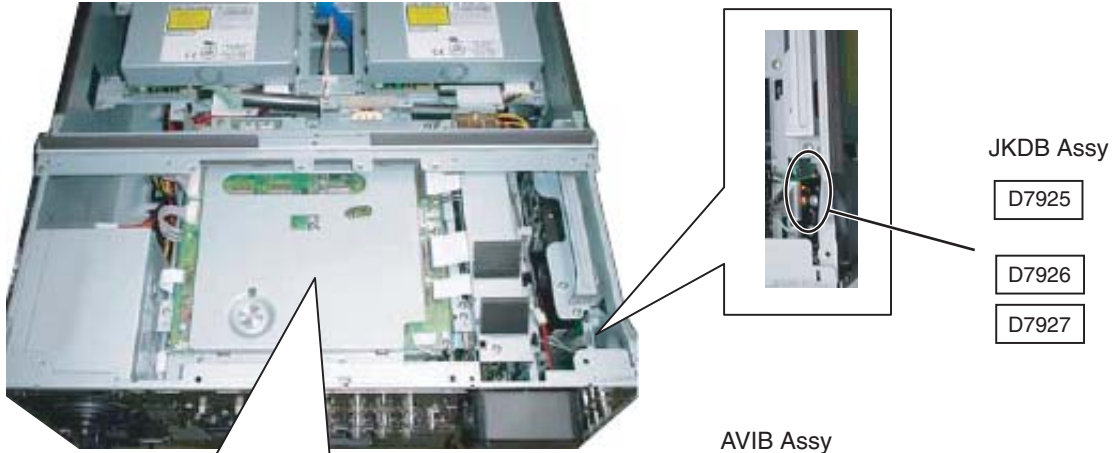
A
B
C
D
E
F

Note: Be careful to wiring of the DKP3640 (Connector Assy 4P) because there is the case that cannot see LED.



ST LED arrangement diagram of the JKIB, AVIB, JKDB, HPVB, PWRB(POLY) and USBB Assys

A
B
C
D
E
F



7.1.4 POWER-ON SEQUENCE

Operation *1	FL Display (left)	FL Display (right)	Video Output	VGA Output
Power on	POWER	--ON--	-	-
Starting BIOS	PLEASE	WAIT	Start of opening logo display	BIOS startup screen
Searching for the drive to be started *2 (Starting from HDD)				
Running boot loader				
Starting kernel				
Starting execution of startup script, successful communication with Front-panel- microcomputer				
Starting checking Root file system *3	POWER-ON	==		
Completion of checking root file system	POWER-ON	===		
Completion of remounting root file system	POWER-ON	====		
Checking other file systems *4	POWER-ON	FSCK		
	POWER-ON	FSCK-HOME		
	POWER-ON	FSCK-VAR		
	POWER-ON	FSCK-RECVER		
	POWER-ON	FSCK-DATA		
Completion of mounting file systems	POWER-ON	=====		
Completion of sorting out file systems	POWER-ON	=====		
Completing all the following initialization processes for the Recorder: • Initialization for each destination • Checking the region code • Updating "poweron.log" • Checking the PCI board *5 • Checking the firmware version *6 • Disposal of unnecessary files	POWER-ON	=====		
Starting initialization of the network *7	POWER-ON	=====		
Completing initialization of the network	POWER-ON	=====		
Initializing the system log	POWER-ON	=====		
Completing initialization processes	POWER-ON	=====	End of opening logo display	End of opening logo display
Starting the application *8	00 : 00 : 00 : 00	00 : 00 : 00 : 00	Black or blue screen	Screen with an X-shape mouse pointer
Completing startup of application			Throughout, or black or blue screen	PRV-LX10 logo display

*1: The displays indicated in the FL-display, video-output, or VGA-output columns are to be displayed at the point when each corresponding operation finishes.

*2: In the BIOS, the HDD is programmed to be the first drive to be started. If the HDD cannot be recognized as a startup drive because of a defect, etc., the following message is displayed on the VGA output:

DISK BOOT FAILURE, INSERT SYSTEM DISK AND PRESS ENTER

In this case, check the connections at the HDD connector block. If there is any loose connection, turn off the power and clear the CMOS data (by changing the position of JP14). If this does not improve the situation, reinstall the OS. If OS reinstallation is impossible, replace the HDD then install the OS.

*3: If an error is detected during root-file-system check, automatic restoration is performed. In this case, the indications on the FL displays change as follows:

Operation	FL Display (left)	FL Display (right)
Error detection	POWER-ON	ROOT-ERROR
Executing reboot for restoration	POWER-ON	ROOT-ERROR
Rebooting starts	START	RECVER=
In the process of restoration	START	RECVER== ~ RECVER=====
Completing restoration	START	RECVER=====
Restarting booting	START	RECVER=====

If automatic restoration is repeatedly executed, reinstall the OS.

After automatic restoration is executed, the following sentence is added to the log file:

!!!!!! The root file system has been recovered !!!!!!!

*4: If an unrecoverable error exists in another file system, one or more messages, as indicated below, will be displayed on the FL displays.

FL Display (left)	FL Display (right)
FSCK-ERROR	BOOT/USR
FSCK-ERROR	HOME
FSCK-ERROR	VAR
POWER-ON	FSCK-ERROR

Although the system can be started up even after the above messages are displayed, reinstall the OS anyway, because the system may be unstable. (In this case, an installation leaving the user data intact will suffice.)

*5: If the Encoder or Decoder board cannot be detected at startup, restarting is automatically executed. If the board cannot be detected for a second time, the application program will not be started. One of the following will be displayed on the FL displays:

Operation	FL Display (left)	FL Display (right)
In a case when the Encoder board could not be detected	-NO-BOARD-	ENCODER
In a case when the Decoder board could not be detected	-NO-BOARD-	DECODER

In this case, the following sentences are added to the log files:

Error displays for the Encoder board:

First error display : !!!!!!!!!!! **NO ENCODER BOARD ERROR (REBOOT) !!!!!!!!!!!**

Second error display : !!!!!!!!!!! **NO ENCODER BOARD ERROR AGAIN !!!!!!!!!!!**

(If this is displayed, the unit was not started)

Error displays for the Decoder board:

First error display : !!!!!!!!!!! **NO DECODER BOARD ERROR (REBOOT) !!!!!!!!!!!**

Second error display : !!!!!!!!!!! **NO DECODER BOARD ERROR AGAIN !!!!!!!!!!!**

(If this is displayed, the unit was not started)

*6: Whether or not the firmware versions for the Encoder board, Decoder board, and drive are identical to those of the application software is checked. If not identical, the application will not start up. Inconsistency of versions may result in most cases after replacing the above parts for repair. In such a case, install the latest firmware program.

*7: Initialization of the network is not executed if Network is not set to Enabled on the Function menu. If the network cable is not connected, initialization of the network is not executed even if Network is set to Enabled. If the DHCP server does not exist even if DHCP is assigned in the network setting, the startup time will be delayed more than 30 seconds.

*8: Normally, the application starts up. However, in the following cases, the application does not start up:

- ① When the Encoder or Decoder board could not be detected
In this case, "-NO-BOARD-DECODER" or "-NO-BOARD-ENCODER" is displayed on the FL display, and only the STANDBY/ON button will be active.
- ② When the firmware version for the Encoder board, Decoder board, or drive is not identical to that in the application software
In this case, "ERROR FIRM-VERSION" is displayed on the FL displays, and only the [STANDBY/ON] button will be active. This may result after replacing the PCI board with one having the old firmware when repairing. In this case, press the [STANDBY/ON] button while holding the [ENTER] button on the front panel pressed, and install the latest firmware program.
- ③ When the [STANDBY/ON] button is pressed while the [ENTER] button on the front panel is held pressed, Program-Install mode is activated. In this case, "PGM-INSTALL" is displayed on the FL displays.
- ④ If the region set for the drive is different from the destination setting for the unit, Region-Resetting mode is activated. In this case, "CHANGE-RGN" is displayed on the FL displays.

7.1.5 HOW TO CHECK THE ERROR LOG

The PRV-LX10 is provided with a log file in which the data at the point when the power is turned on are stored. In the log file, the number of times the power is turned on, time when the power is turned on and off, and error data can be checked.

■ How to check the log file

Note:

- If user settings have been made, return the settings to the original ones after servicing.
- Please copy a Log file beforehand. (Refer to "[9]: Copying the Log file of 2-6 Clearing data on cumulative power-on time, etc." on page 119.)

1) Perform the setting for the network. (An example is shown below, but the connection is possible in a different way.)

① Make preparations for the PC.

Make the network settings for the PC, assigning the IP address as indicated below:

IP address : 192.168.0.15
 Subnet mask : 255.255.255.0
 Gateway : 192.168.0.1

② Turn off the PC.

③ Make the manual settings for the network of the PRV-LX10 on the Function menu (then selecting System, then Network).

IP address : 192.168.0.16
 Subnet mask : 255.255.255.0
 Gateway : 192.168.0.1

④ Turn off the PRV-LX10.

⑤ Connect the PRV-LX10 and the PC directly, using an Ethernet cross cable.

⑥ Turn on the PRV-LX10 and the PC.

2) Open the log file using a Web browser (IE, etc.).

Using the Web browser on the PC, access:

ftp://192.168.0.16

Enter the following user name and password:

User : DVDRecService
 Password : DVDRecService

Open the "poweron.log" or "service_info.jog" file using the Web browser.

■ Details on the log file (service_info.log)

A In the service_info.log file, detailed data on Service Info, which can be accessed by selecting Function Menu, System, Information, then Service Info, are recorded, as shown below:

```

<<<<< Start PRV-LX10 >>>>> Mon Oct 20 06:25:22 EDT 2003 ← ①
-- HDD SMART:Val(Max)/Thrsh --<<Spare Sector>> fd(fd)/3f <<Sk ErrRate>> fd(fc)/00
<<Spdl Mtr Retry>> fd(fc)/9d <<W ErrRate>> fd(fc)/00 Lecel=0 ← ②
!!!!<<<<< PCI Access Error Count = 1 >>>>> (Date) Mon Oct 20 06:25:51 EDT 2003 ← ③
!!!!<<<<< PCI Access Error Count = 2 >>>>> (Date) Mon Oct 20 06:27:23 EDT 2003 ← ③
<<Check HDD SMART Data>>:Mon Oct 20 06:28:15 EDT 2003 ← ④
-- HDD SMART:Val(Max)/Thrsh --<<Spare Sector>> fd(fd)/3f <<Sk ErrRate>> fd(fc)/00
<<Spdl Mtr Retry>> fd(fc)/9d <<W ErrRate>> fd(fc)/00 Lecel=0 ← ④
B <<<<< Start PRV-LX10 >>>>> Mon Oct 20 06:30:43 EDT 2003 ← ①
-- HDD SMART:Val(Max)/Thrsh --<<Spare Sector>> fd(fd)/3f <<Sk ErrRate>> fd(fc)/00
<<Spdl Mtr Retry>> fd(fc)/9d <<W ErrRate>> fd(fc)/00 Lecel=0 ← ②
<<<<< Start PRV-LX10 >>>>> Mon Oct 20 07:09:38 EDT 2003 ← ①
-- HDD SMART:Val(Max)/Thrsh --<<Spare Sector>> fd(fd)/3f <<Sk ErrRate>> fd(fc)/00
<<Spdl Mtr Retry>> fd(fc)/9d <<W ErrRate>> fd(fc)/00 Lecel=0 ← ②

```

① Time when the PRV-LX10 starts up

② Data from "--HDD SMART:Val(max)/Thrsh--" to "Level=0" indicate SMART data regarding the built-in HDD confirmed when the PRV-LX10 starts up. The results of confirmation on SMART data are recorded in the log file when System is selected by opening Function Menu then System, as well as at startup. The levels of self-diagnosis results are as shown below. It should be noted that the descriptions of the levels are different from those used on the Function Menu. For details, see "Levels of the self-diagnosis results of the HDD and measures to be taken for them."

0: Normal operation

1: Level calling for the user's attention (indicated as 0+ on the Function Menu)

2: Level calling for the user's attention (indicated as 1 on the Function Menu)

3: Warning symptoms of an HDD failure (indicated as 2 on the Function Menu)

4: On the brink of an HDD failure (indicated as 3 on the Function Menu)

5: HDD failure (indicated as 4 on the Function Menu)

③ A total number of errors generated on the PCI bus after the PRV-LX10 starts up is recorded (Each time the power is turned on, the number of errors is counted from 0). If errors are frequently generated, it may be because of a defective Motherboard or PCI board, or poor connection caused by inappropriate installation of the PCI board. Error data are recorded in the log file each time an error is generated. Error data are also indicated on the Service Info page, which can be accessed by selecting Function Menu, System, Information, then Service Info, only when an error is generated (the first figure indicates the level of the self-diagnosis results of the HDD, and the second indicates the total number of PCI bus errors).

④ Each time the unit starts up, and each time System is selected (select Function Menu then System), the level of the self-diagnosis results of the HDD is confirmed and recorded in the log file. Data from "<<Check HDD SMART Data>>" to "Level=0" are the results of confirmed SMART data to be recorded when System is selected (select Function Menu then System).

■ Levels of the self-diagnosis results of the HDD and measures to be taken for them

In the service_info.log file, detailed data on Service Info, which can be accessed by selecting Function Menu, System, Information, then Service Info, are recorded, as shown below:

Measures to be taken for each level of the self-diagnosis results of the HDD are shown below.

The levels of the self-diagnosis results of the HDD can be confirmed from the log file (service_info.log), as well as on the Function Menu. However, it should be noted that the descriptions of the levels are different between those used in the log file and on the Function Menu (for example, Level 2 in the log file is equivalent to Level 1 on the Function Menu).

- **Level 0** (Level 0 on the Function Menu): Normal operation
No problem
- **Level 1** (Level 0+ on the Function Menu): Level calling for the user's attention
Although it has not constituted a problem yet, the user should be notified to make backups of data on the HDD, following the procedure in the instruction manual. Check if the HDD has been exposed to any inappropriate environment, such as extreme temperature, vibration, noise, or temporary blackout, on the user's side. Especially, check if the user turns off the power in a correct way. If user's handling of the HDD is inappropriate, he/she must be instructed on appropriate handling of the HDD.
- **Level 2** (Level 1 on the Function Menu): Level calling for the user's attention
Although it has not constituted a problem yet, replace the HDD if symptoms as shown below appear. Even if such symptoms do not appear, the user should be strongly recommended to make backups of data on the HDD, following the procedure in the instruction manual. Check if the HDD has been exposed to any inappropriate environment, such as extreme temperature, vibration, noise, or temporary blackout, on the user's side. Especially, check if the user turns off the power in a correct way. If user's handling of the HDD is inappropriate, he/she must be instructed on appropriate handling of the HDD.

Case 1:

Although the power was turned off by pressing the POWER button on the front panel of the main unit, the following symptoms appear when the unit starts up. (The following symptoms are likely to appear if the power was forcibly turned off with the power switch on the rear panel. Be sure to check how the user turned the power off.)

- ① The unit occasionally does not start up normally.
- ② While the program is starting up, it often occurs that the messages [POWER-ON] and [ROOT-ERROR] are displayed on the FL display and that the time required for startup becomes longer. (If the message [ROOT-ERROR] is displayed occasionally, it is not a problem. But if it is often displayed, it is a problem.)
- ③ While the program is starting up, it often occurs that the messages [POWER-ON] and [FSCK-XXXX] are displayed on the FL display for more than 30 seconds and that the time required for startup becomes longer. (If the message [FSCK-XXXX] is displayed occasionally for more than 30 seconds, it is not a problem. But if it is often displayed, it is a problem.)

Case 2:

Although the Decoder board is normal, one of the following symptoms appears when data recorded on the HDD are played back:

- ① playback stops around many particular points (in many sessions), or
- ② the playback picture is disturbed around many particular points (in many sessions.)

Case 3:

When checking of the HDD is executed by selecting Function Menu, System, HDD Tools, then Check, the program freezes up (checking is not finished even after 30 minutes or more).

Case 4:

Other symptoms likely to be caused by a failure in the HDD

A

- **Level 3** (Level 2 on the Function Menu): Warning symptoms of an HDD failure

As this level may have resulted from a temporary cause, it is defined as a level that requires careful use of the HDD as per the instruction manual. The cause may not be a problem if the user does not recognize any symptom. Thus, even if the result level is 3, it does not mean that replacement of the HDD is necessary. However, it is not recommended that the user continue using the unit as is. Therefore, if servicing is requested by the user, even if the request for servicing is for another reason, replacement of the HDD should be also performed. In such a case, check if the HDD has been exposed to any inappropriate environment, such as extreme temperature, vibration, noise, or temporary blackout, on the user's side. Especially, check if the user turns off the power in a correct way. If user's handling of the HDD is inappropriate, he/she must be instructed on appropriate handling of the HDD.

- **Level 4** (Level 3 on the Function Menu): On the brink of an HDD failure

B

- **Level 5** (Level 4 on the Function Menu): HDD failure

Replace the HDD. If failures of these levels occurred several times within 2 years after installation, it is likely that the HDD has suffered from mishandling by the user. If it is the case, the user must be instructed on appropriate handling of the HDD.

C

D

E

F

How to display the Error log

- Start the PRV-LX10 and let it run idle (in the state in which the Function menu is not displayed and neither recording nor playback is performed).
- On the remote control unit for service, press the [ESC], [TEST], [REP.A], and [8] keys, in that order. The error log for Drive 1 is displayed.
- To display the error log for Drive 2, press the [ESC], [TEST], [REP.A], and [9] keys, in that order.

Outline of the Error log

Up to 8 error records (16-byte data per record) are held for each drive (see Table 1 "Error record"). If there are more than 8 errors, the oldest record is deleted each time a new one is logged.

Description of the Error log

The order of error generation and error codes are described here.

1. Order of error generation

One byte of data at the beginning of each record (Byte 0) is called the Identity code. The Identity code of the latest record is FFh, and for other records it is 00h. However, if an error is generated for the first time after the power was turned on, FFh is rewritten as BBh. Therefore, from the record having "FFh" Identity code back to the record immediately before that having "BBh" as its Identity code are the error records generated from the latest power-on until the present (or the latest power-off).

Note: At the initial setting, all codes of any record are set FFh. If all codes in a record are FFh, it means that the record has no valid data.

2. Error codes

At Byte 7 of each record, an error code is stored. For details on error codes, see Table 2. Ignore any record whose code for Byte 8 (execute task) is 88h, because it means that the record is for obtaining data on internal status.

Note: The data displayed on the error-log screen are directly dumped from the error-log data stored in memory for the drive, and no process (including data sorting) is added on the part of the PRV-LX10 application.

Table 1: Error record

0	1	2	3	4	5	6	7
Identify	aging No.	aging pointer	controller command	controller step	host command	endeco command	error code
8	9	10	11	12	13	14	15
excute task	error address (H)	error address (M)	error address (L)	error detail (H)	error detail (L)	aging cycle (H)	aging cycle (L)

Table 2: Description on error codes

Code	Content	Supplementary information
01h	DECODE_ERROR	Failure in reading PreGap (CD), improper results of RFEndSeek (DVD)
02h	RF_NOT_EXIST,	Read-request address not recorded
03h	RMD_NOT_DETECT,	RMD not detected
04h	LIN_NOT_DETECT,	Lead-in not detected
05h	LIN_NOT_COMPLETE,	Incomplete lead-in
06h	ILLEGALL_NUMBER_OF_BYTE,	Illegal CD mode detected (Illegal Mode for This Track Error)
07h	IF_ABORT_DET,	Processing aborted upon the request of I/F
08h	MECHA_TIMEOUT,	Timeout waiting for search
09h	BUFFERING_TIMEOUT,	Combo Chip decoding not started (the screen is frozen but remains active)
0Ah	RETRY_TIMEOVER,	Number of times of retrial over
0Bh	READ_TIMEOUT,	Timeout waiting for read process
0Ch	RECOVERED_DATA,	"Recovered error" detected
0Dh	VERIFY_ERROR,	An error was generated while the Verify command was being processed
10h	M63_INTERNAL_ERR	Failure in internal processing
11h	M63_FORMATTER_ERR,	Failure in detecting a sync
12h	M63_IDOVER_ERR,	Target-ID exceeded
13h	M63_HDCMP_ERR,	Header-compare error
14h	M63_UNCORRECTABLE_ERR,	Unrecoverable error
15h	M63_CRC_ERR,	CRC error
16h	M63_ETC_ERR,	Other errors of Combo Chip
17h	M63_BLK_ERR,	CIRC unrecoverable error
18h	M63_HDC2_ERR,	Header C2 error
19h	Internal Timeout	Timeout waiting for Combo Chip internal processing
1Ah	M63_TRX_ERR	Failure in transmitting data to the host computer
1Bh	Mecha Not Active	Mechanical-control computer not ready for search (tray opened, etc.)
1Ch	FIFO Error	Internal FIFO error
1Dh	Buffering Abort	Failure in obtaining DVD-data-type information
1Eh	Too Far From Target ID	Improper address after search (too far before the target address)
1Fh	M63 Replay Req.	Combo-Chip decoding not started (the unit arbitrarily returns to idling status)
20h	Buffer Full	
21h	Buffer Under Run	
22h	Panic in	
23h	Discontinuous time data	
24h	Wobble servo phase difference exceeded	
25h	ASYOVR allowable count number exceeded	
26h	ASYNCR allowable interpolation number exceeded	
27h	Invalid Cue Sheet	
28h	Non Cue Sheet	
29h	Disc Full	
2Ah	Reserved Track Full	

Code	Content	Supplementary information
2Bh	Address Error	
2Ch	Abort because of a mechanical error	
2Dh	Abort by the host computer	
2Eh	Invalid Command	
2Fh	Target Address Over	
30h	OPC record error (before encoding)	
31h	OPC record error (after encoding)	
32h	OPC playback error (during playback)	
33h	OPC playback error (data error)	
34h	OPC upper limit of power exceeded	
35h	OPC lower limit of power exceeded	
36h	Encode Start Error	
37h	Unexpected Status Error	
38h	CD Over Power Error	
39h	Shock Detect Error	
40h	Buffer full	
41h	Buffer underrun	
42h	Lower OPC power	
43h	Higher OPC power	
44h	OPC failure	
45h	Encoding failure	
46h	DMA failure	
47h	DECSS measures	
48h	Inconsistency in rotation speed of the spindle	
49h	Write power 0	
4Ah	OPC record failure (retry is possible)	
60h	Command Sequence Error */	
61h	Logical Unit Communication Failure */	
62h	Illegal Logical Block Address */	
63h	Internal Controller Error */	
64h	Prevent Medium Removal */	
65h	System Resource Failure */	
66h	Authentication Failure */	
67h	Key Not Present */	
68h	Key Not Established */	
69h	Authentication Not End */	
6Ah	Incompatible Format */	
6Bh	Region Mismatch */	
6Ch	Region Reset Count Error */	
6Dh	De-Compression CRC Error */	

	Code	Content	Supplementary information
A	6Eh	OPC area full */	
	6Fh	OPC area almost full */	
	70h	Parameter Value Invalid */	
	71h	Media detect error */	
	72h	RMA almost full */	
	73h	Media not Present */	
	74h	Long Write In Progress */	
	75h	Session is not full */	
	76h	Subcode-Q is not valid */	
	77h	track start address is not valid */	
	78h	track end address is not valid */	
B	79h	track end address error at incomplete track	
	7Ah	Pregap read error	
	7Bh	PMA is not complete	
	7Ch	Vender reset Sequence Error	
	7Fh	Data compare error (for aging)	
	80h	Unsupported Command	
	81h	Illegal Mode	
	82h	Illegal Request	
	83h	Aborted	
	84h	Timeout	
C	88h	Loading Mecha NG	
	89h	TOC Read Error	
	8Ah	PrePit Read Error	
	8Bh	BCA READ ERROR	
	90h	Search Address Error	
	91h	Illegal Track Request	
	A0h	No Disc	
	A1h	Disc NG	
	A8h	Servo NG Stop	
	A9h	Line Adjustment NG	
D	Aah	Auto Adjustment Data NG	
	B0h	Focus Close Fail	
	B1h	Focus Servo Failure	
	B5h	Focus Jump Fail	
	B8h	RF not exist	
	C0h	Track Close Fail	
	C1h	Track Servo NG	
	C2h	Track Jump NG	
	D0h	Spindle Start Fail	
	D1h	Spindle Stop Fail	
E	D2h	Spindle High Speed Fail	
	D3h	Spindle Low Speed Fail	
	D4h	Spindle DVD Wob In Fail	
	D5h	OPC end search Error	
	D6h	RF end search Error	
	D7h	Spindle DPLL ON Error	
	D8h	Spindle RF Error	
	D9h	Tilt Adjustment Error	

F

How to operate in Debugging Display mode

1) To enter ([ESC] - [DISPLAY])

To enter Debugging Display mode, press the [ESC] key on the remote control unit for service then the [DISPLAY] key.

2) To advance a page ([DISPLAY])

After entering Debugging Display mode, press the [DISPLAY] key. Each time the key is pressed, the page advances by one. You cannot turn the page backward.

3) To advance a subpage ([SIDE-A] or [SIDE-B])

Some pages have subpages. You can advance or go back one subpage using the [SIDE-A] or [SIDE-B] key.

4) To exit ([ESC])

To exit Debugging Display mode, press the [ESC] key. If the [ESC] key then the [DISPLAY] key are pressed to enter Debugging Display mode again, the last page previously displayed is displayed.

Description of pages

1) Version information (Page 1)

The version for each program is displayed.

<pre> Program : 3.01 OS : 1.04 ----- DVDRec : 1.90.2.10 : : FLCOM : 137 ----- DVD-RW PRV-LX1 1.31U 03/05/19 PIONEER ----- Shimuke=2 PON=***** (2/2/2) FAN OK(1)/PSON OK(1) GUID=***** 3.12P2 </pre>	<p>← Version of the program (*1)</p> <p>← Version of the OS</p> <p>← Data to be used by engineers</p> <p>← Version of the front-panel microcomputer (*2)</p> <p>← Version of Drive 1</p> <p>← Version of Drive 2</p> <p>← Data on destination and region (*3)</p> <p>← Data on the fans and GUID (*4)</p> <p>← Version of BIOS</p>
---	--

* : Arbitrary

(*1) If "XX.XX-XX" is displayed as the program version, only the OS has been installed, but the application program has not been installed. Install the correct program.

(*2) IC501 PE5392A9 FLCOM:137
PE5392B8 FLCOM:138

(*3) Breakdown of destination:

0: J (Japan), 1: KU (North America), 2: WY (Europe)

The data on region in the above example are "(1/1/-1)," expressing "(region for the Decoder board/region for Drive 1/region for Drive 2)" ("-1" means that Drive 2 does not exist).

(*4) "OK" is displayed when two fans in the front section and a fan at the rear section (a fan not for the power-supply block) are operating properly. "GUID=xxxx" is for DV.

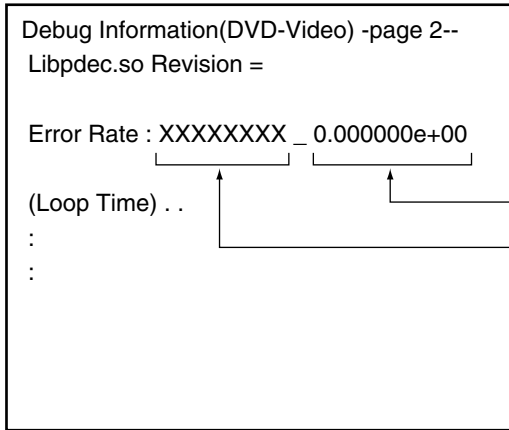
2) Disc playback data (Page 2)

The internal data regarding disc playback are displayed. On this page, the error rate during disc playback can be confirmed.

To start measuring the error rate, enter Debugging Display mode then press the PLAY key on the remote control unit for servicing.

The indication "XXXXXXXX_0.000000e+00" as shown in the figure below indicates the status before a measuring task starts.

To cancel measuring in progress, press the CLEAR key on the remote control unit for servicing.



← Error rate indication

← Measured error rate

← Measured address

A

B

C

D

E

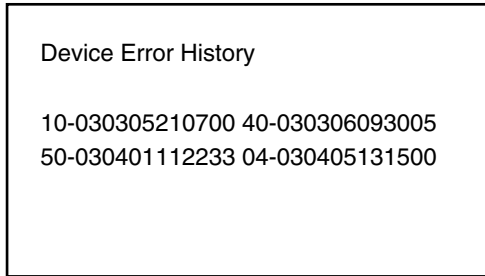
F

3) Data on the Decoder board (Page 3)

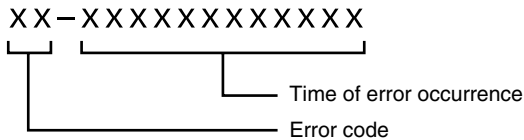
The data on the Decoder board are displayed. One among several subpages is for the error log for the Decoder board. You can go forward or back one subpage using the [SIDE-A] or [SIDE-B] key. To see the error log for initialization and self-diagnosis, after entering Page 3, press the [SIDE-A] key once. The following screen is displayed.

Note: If the Decoder board is defective, in many cases the TV output becomes unavailable. Therefore, the error records explained below may not be confirmed.

The error records are displayed as shown below. If no error was generated in the past, "No device error" is displayed.



In the above example, 4 error records are recorded. The first two digits in each record stand for the error type, and the following 12 digits express the time of occurrence:



The time of error occurrence is expressed as "YYMMDDHHMMSS." So, "030110112345" means 11 o'clock 23 min 45 sec, January 10, 2003.

The breakdown of 2-digit error codes is as follows:

- 1 : Xilinx Configuration Error
Configuration of Xilinx (FPGA for PCI interface) failed.
- 4 : SH SDRAM Access Error
Reading from or writing in the SDRAM connected to the SH bus failed.
- 10 : Video Encoder Initialize Error
Communication with the Video Encoder (ADV7172) failed.
- 20 : AV Decoder Initialization Error
The AV Decoder (M65776AFP) failed to start up, or access to the AV Decoder failed.
- 40 : AV Decoder SDRAM Access Error
Reading from or writing in the SDRAM connected to the AV Decoder bus failed.

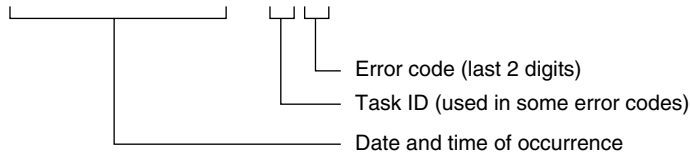
Some of the above errors may occur simultaneously. For example, "50" means the errors of error codes 10 (Video Encoder Initialize Error) and 40 (AV Decoder SDRAM Access Error) were generated at the same time.

4) Data on the Encoder board (Page 4)

The data on the Encoder board are displayed. If the [SIDE-A] key is pressed on this page, the error log for the Encoder board can be checked.

An error record is expressed as shown below:

(Example) 2003/07/01 10:30:20 == 09 03 ==



The meaning of the error codes and correction measures are described below:

Code	Content of Error	Correction Measures
01	Data Read Timeout Error	Turn the power off then on again.
02	Copy Protection Error	As the selected input signal is copy-protected, recording could not be performed. When this error is generated even if the video signal from the disc created by the PRV-LX1 is to be recorded, replace the AVIB board.
03	(task ID : 09(h))Illegal frame number Error	Turn the power off then on again.
	(task ID : 32(h))No digital signal Error	Because no digital signal is input to the selected digital input connectors, recording could not be performed. When this error is generated even if the digital signal is confirmed to be input to the DV connectors, etc., replace the AVIB board.
04	PCI Destination Address Timeout Error	Turn the power off then on again.
05	PCI Map Timeout Error	Turn the power off then on again.
C9	Hard Error	Check wiring or connections. If the problem persists after corrective measures are taken, replace the AVIB board.
CA	Reset Error	Check wiring or connections. If the problem persists after corrective measures are taken, replace the AVIB board.
	(task ID : 0A(hex))Stream Buffer Full Error	Turn the power off then on again.
CB	Initialize Error	Check wiring or connections. If the problem persists after corrective measures are taken, replace the AVIB board.
CC	Standby Error	Turn the power off then on again.
CD	Command Error	Turn the power off then on again.
CE	Stream Timeout Error	Turn the power off then on again.
CF	Command Timeout Error	Turn the power off then on again.
D0	Buffer Full Error	Turn the power off then on again.
D2	Hard Error(Audio Enc.)	Check wiring or connections. If the problem persists after corrective measures are taken, replace the AVIB board.
D3	Reset Error(Audio Enc.)	Check wiring or connections. If the problem persists after corrective measures are taken, replace the AVIB board.
D4	Initialize Error(Audio Enc.)	Check wiring or connections. If the problem persists after corrective measures are taken, replace the AVIB board.
D5	Standby Error (Audio Enc.)	Turn the power off then on again.
D6	Command Error (Audio Enc.)	Turn the power off then on again.
D7	Command Timeout Error (Audio Enc.)	Turn the power off then on again.
DC	Hard Error (Video Enc.)	Check wiring or connections. If the problem persists after corrective measures are taken, replace the AVIB board.
DD	Reset Error (Video Enc.)	Check wiring or connections. If the problem persists after corrective measures are taken, replace the AVIB board.
DE	Initialize Error (Video Enc.)	Check wiring or connections. If the problem persists after corrective measures are taken, replace the AVIB board.
DF	Standby Error (Video Enc.)	Turn the power off then on again.
E0	Command Error (Video Enc.)	Turn the power off then on again.
E1	DV Decode Error	Turn the power off then on again.
E2	DV Encode Error	Turn the power off then on again.
E3	FS Change Error (before)	Turn the power off then on again.
E4	FS Change Error (after)	Turn the power off then on again.
E5	Command Timeout Error (Video Enc.)	Turn the power off then on again.
E6	Command Execute Error (Video Enc.)	Turn the power off then on again.

5) Recording data (Page 5)

The internal data on recording are displayed.

6) Application data (Page 6)

The internal data on the application are displayed.

■ Note on the drive error log: The drive error log can be displayed in Test mode.

7.1.8 LIST OF BIOS SETTING VALUE

Customized Default Values	
	Ver3.12P2
Standard CMOS Features	
Date (mm:dd:yy)	G.M.T (Greenwich Mean Time)
Time (hh:mm:ss)	G.M.T (Greenwich Mean Time)
IDE Primary Master	Depends on assembled IDE Device
IDE Primary Slave	Depends on assembled IDE Device
IDE Secondary Master	Depends on assembled IDE Device
IDE Secondary Slave	Depends on assembled IDE Device
Drive A	None
Drive B	None
Video	EGA/VGA
Halt On	All, But Disk/Key
Advanced BIOS Features	
Virus Warning	Disabled
CPU L1 & L2 Cache	Enabled
Quick Power On Self Test	Enabled
First Boot Device	HDD-0
Second Boot Device	CD-ROM
Third Boot Device	Disabled
Boot Other Device	Disabled
Swap Floppy Drive	Disabled
Boot up Floppy Seek	Disabled
Boot up Numlock Status	On
Gate A20 Option	Fast
Typematic Rate Setting	Disabled
Typematic Rate (Chars/Sec)	N/A
Typematic Delay (Msec)	N/A
Security Option	Setup
APIC Mode	Enabled
MPS Version Control For OS	1.4
OS Select For DRAM > 64MB	Non-OS2
Report No FDD For WIN 95	Yes
Small Logo(EPA) Show	Disabled
Advanced Chipset Features	
DRAM Timing Selectable	By SPD
CAS Latency Time	N/A
Active to Precharge Delay	N/A
DRAM RAS# to CAS# Delay	N/A
DRAM RAS# Precharge	N/A
Turbo Mode	Disabled
Memory Frequency For	Auto
System BIOS Cacheable	Enabled
Video BIOS Cacheable	Disabled
Memory Hole at 15M-16M	Disabled
Delayed Transaction	Enabled
Delay Prior to Thermal	16 Min
AGP Aperture Size (MB)	64
On-Chip VGA	Enabled
On-Chip Frame Buffer Size	8MB

Customized Default Values	
	Ver3.12P2
Integrated Peripherals	
IDE DMA transfer access	Enabled
On-Chip Primary PCI IDE	Enabled
IDE Primary Master PIO	Auto
IDE Primary Slave PIO	Auto
IDE Primary Master UDMA	Auto
IDE Primary Slave UDMA	Auto
On-Chip Secondary PCI IDE	Enabled
IDE Secondary Master PIO	Auto
IDE Secondary Slave PIO	Auto
IDE Secondary Master UDMA	Auto
IDE Secondary Slave UDMA	Auto
USB Controller	Enabled
USB 2.0 Controller	Enabled
USB Keyboard Support	Enabled
USB Mouse Support	Enabled
AC97 Audio	Disabled
Init Display First	Onboard/AGP
Onboard LAN	Enabled
Onboard LAN boot ROM	Disabled
IDE HDD Block Mode	Enabled
POWER ON Function	BUTTON ONLY
KB Power ON Password	N/A
Hot Key Power ON	N/A
Onboard FDC controller	Enabled
Onboard Serial Port 1	3F8/IRQ4
Onboard Serial Port 2	2F8/IRQ3
Onboard Parallel Port	Disabled
Parallel Port Mode	N/A
ECP Mode Use DMA	N/A
Power Management Setup	
ACPI Suspend Type	S1(POS)
Run VGABIOS if S3 Resume	N/A
Power Management	User Define
Video Off Method	DPMS
Video Off In Suspend	Yes
Suspend Type	Stop Grant
MODEM Use IRQ	3
Suspend Mode	Disabled
HDD Power Down	Disabled
Soft-Off by PWR-BTTN	Instant-Off
After Power Loss	Stay Off
Wake-Up by PCI card	Enabled
Power On By Ring(S5/DOS)	Disabled
USB KB Wake-Up From S3	N/A

Customized Default Values**Ver3.12P2****Power Management Setup**

Resume by Alarm Disabled

Date(of Month) Alarm N/A

Time(hh:mm:ss) Alarm N/A

****Reload Global Timer Events****

Primary IDE 0 Disabled

Primary IDE 1 Disabled

Secondary IDE 0 Disabled

Secondary IDE 1 Disabled

FDD,COM,LPT Port Disabled

PCI PIRQ[A-D]# Disabled

PnP/PCI Configurations

Reset Configuration Data Disabled

Resource Controlled by Auto(ESCD)

IRQ Resources N/A

Frequency Control

Auto Detect PCI Clk Enabled

Spread Spectrum Enabled

Set Supervisor Password Disabled**Set User Password** Disabled

7.1.9 REWRITING OF THE GUIDS

Notes:

- Because the GUIDs are written on the PCIB Assy before shipping, rewriting of the GUIDs is not necessary when replacing the PCIB Assy.
- When IC2406 (PD6453D8) on the PCIB Assy is replaced, rewriting of the GUIDs is required.

When rewriting the GUIDs, connect the COM port of your PC and the connector for servicing mounted on the PCIB Assy of the unit.

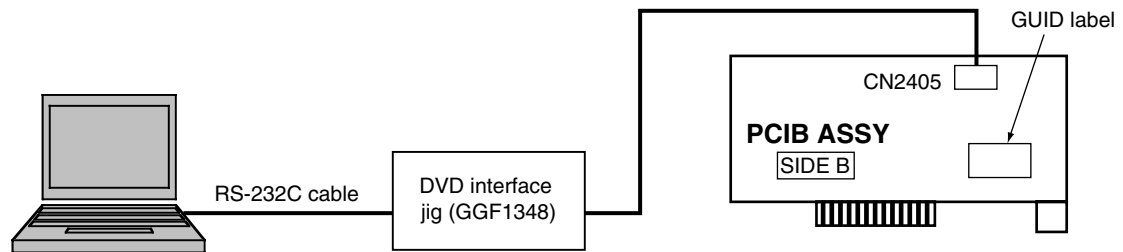
For transmission of commands, use general-purpose RS-232C communication software.

Communication settings are as follows:

Bit rate : 57600 bps
 Data bits : 8
 Parity : None
 Stop bit : 1
 Flow control : None

Procedures:

1. Take note of the numbers written on the GUID label stuck on the PCIB Assy.
2. Install the PCIB Assy in the unit. Connect the COM port of your PC and CN2405 on the PCIB Assy, using the DVD interface jig (GGF1348).



3. Turn the unit on. After the unit starts up, enter "/15*****/SW" from the PC then press [ENTER] key to send the command ("****" stands for a specific GUID).

Note: The value written on the GUID label is in decimal notation and must be converted to hexadecimal for writing a command. For details, see "Format of the GUID label."

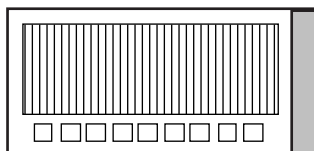
4. Enter "SR" from the PC then press [ENTER] key to send the command. As "GUID: 15****" is displayed, check that this value is the same as that entered in Step 3.

Format of the GUID label (for reference)

The IEEE1394 Interface is mounted in the unit, and the EUI-64 codes are written in the flash ROM (IC2406) on the PCIB Assy. On the GUID label, this content is described.

1. Printing format

Label: The part No. of the label is VRW1877.
 Print color: Black
 Printed content: Barcode: CODE128
 Numerics: GUID serial No. (last 7 digits)



Two digits at the beginning: 00
 Last 7 digits: GUID serial No. (000001-1048575)

2. Relationship between the ID of the Assy and the serial number

The values written on the Assy are the ID of the product (0x015) and the GUID serial No. specific to each product. The relationship between these numbers and the serial numbers printed on the label is as shown below:

Relationship between the ID of the Assy and the serial number

Values (in hex) to be written on the Assy	Serial numbers (in decimal) printed on the label
01500001	00000001
01500002	00000002
:	:
:	:
015f f f f f	001048575

7.1.10 CAUTIONS ON HANDLING THE HDD

(1) Cautions on Handling the HDD

- The HDD is very sensitive to shocks and vibrations. Care must be taken especially during operation (when the power is on).
- The HDD is very sensitive to electrostatic charges.
- Rapid change in temperature or humidity may cause deterioration of the HDD.

Note: After receiving damage caused by any above-mentioned factors, the HDD may operate normally for dozens or some hundreds of hours but then suddenly crash. If you are certain you have damaged a new repair part (HDD) while making repairs, do not use the part.

The HDD is about 10 times as sensitive to shock during operation than during nonoperation.

Reference: Main specifications on damage to the HDD

	During operation	During nonoperation
Shock G (acceleration)	<approx. 20 G	<approx. 200 G
Temperature change	< 20°C/hour	
Moisture change	< 20%/hour	

Reference: Estimate value of falling distance vs. shock (G) when the HDD is dropped without protection

Falling distance	Landing surface	Granite surface	Concrete floor	Synthetic-resin-coated table	Antistatic sponge
0.5 inch / 1.27 cm		387	217	200	26
1.0 inch / 2.54 cm		595	457	310	37
2.0 inch / 5.08 cm		1133	600	680	70
4.0 inch / 10.16 cm		1795	1040	1050	267

(2) Cautions on handling the product on which the HDD is mounted or the HDD as a repair part, and examples of dangerous handling

[Cautions on handling the product on which the HDD is mounted]

- While the unit is turned on, the HDD is always in operation. Be sure NOT to impart shock to the unit.

● Examples of dangerous handling: while the power is on

- Bumping on the bonnet
- Dropping an object, such as a small screwdriver or remote control unit, onto the bonnet, or bumping an object against the cabinet
- Moving the unit by dragging
- Stacking another product on the unit

Note: Be sure NOT to impart shock, such as bumping or hitting a screwdriver against the HDD, during diagnosis with the bonnet open.

● Examples of dangerous handling: while the power is off

- Imparting strong shock, although the HDD is more resistant to shock when the power is off
- Dropping the unit from a height of several centimeters, or after lifting one side of the unit up, then letting the unit drop.
- Do NOT move the unit immediately after the power is turned off. Wait at least 30 seconds after the indication on the FL display changed from POWER OFF to the clock indication before moving the unit.
- If the AC power cord is accidentally disconnected before turning the unit off, wait at least for one minute before moving it. In this case, damage to the HDD caused by sudden shutoff may be small, because the emergency relief mechanism is activated. However, if sudden shutoff occurs during recording or playback, recorded data may be damaged. Be sure to check operations.

[Cautions on handling the HDD as a repair part]

1. Handle the HDD in a safe environment:
 - Handle the HDD over an antistatic pad that can also absorb shock.
 - Wear wrist bands to prevent electrostatic charges generated in your body from affecting the HDD.
2. The following must be observed when handling the HDD:
 - Handle one HDD at a time. Do NOT hold several HDDs at the same time.
 - Grip the HDD on both sides so that you do not touch its terminals or circuit boards.
 - Do NOT stack one HDD onto another HDD (even if the HDDs are protected in antistatic bags).
 - Do NOT bump the HDDs against one another.
 - Do NOT bump any tool, such as a screwdriver, or other hard object against the HDD.
 - When a repair part (HDD) is transported and there is a large temperature difference between outdoors and indoors, to the indoor, leave it in its package for about a half day to gradually cool or warm the HDD to room temperature before unpacking it.

[Notes on packing for shipment]

- When returning a defective HDD for analysis, handle with care as if it were a good product. Otherwise, the results of analysis may not be correct.
- When packing, use the antistatic bag and packing materials in which the repair part for service was delivered. Attach a copy of the slip for service or a memo stating symptoms in as much detail as possible.

■ Outline and part No. of the HDDs

Model Name	Capacity	Maxtor	
		Pioneer's Part No. (for service)	Manufacturer's Part No.
PRV-LX10	120 Gbyte	VXF1016	4R120L*

↑ Pioneer's part No. is not stamped.

- When replacing the HDD, carefully check the capacity and manufacturer's part No. on the part label to avoid replacing with a similar but inappropriate product. You can also check the model No. of the mounted HDD on the Service mode screen.
- Do NOT use repair parts, such as commercially available HDDs, other than those designated above, as their functions, performance or reliability cannot be guaranteed.

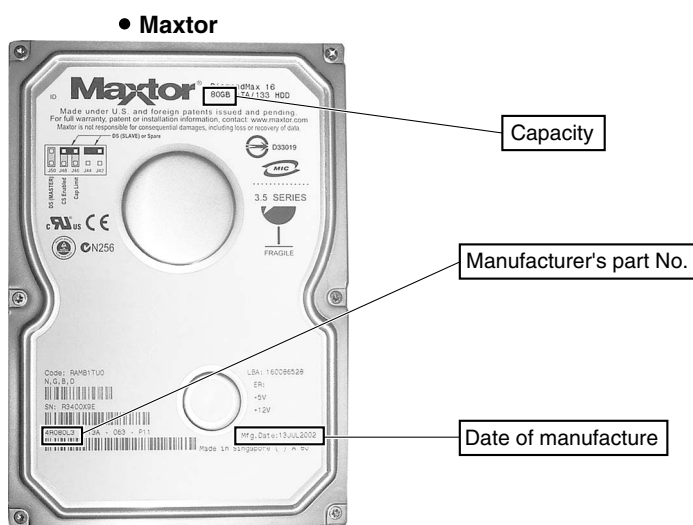


Fig. 1 Location of the data on capacity and part No. of the HDD

■ JP pin setting for the HDD

The factory jumper-pin setting for the HDD is CS (Cable Select), as shown in the figure below. When installing the HDD to the unit, set the jumper pin to the MASTER position.

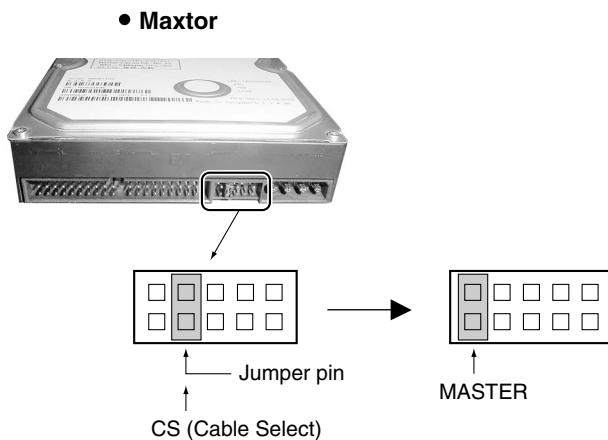


Fig. 2 Setting of the jumper pin

7.1.11 HDD REPLACEMENT PROCEDURES

- **In a case where the HDD being installed operates normally, but is to be replaced for maintenance, etc.**
→ **Perform copying of HDD data.**

- A
1. Obtain an HDD copying disc for the PRV-LX10 and a new HDD *1. (Do NOT connect the HDD in this step.)
 2. In Standby mode, while holding the [ENTER] button pressed, press the [STANDBY/ON] button on the front panel to start up the unit.
 3. When the tray for Drive 1 opens, load the HDD copying disc for the PRV-LX10 into it. Then hold the [ENTER] button on the front panel pressed until the beep sounds.
 4. After the unit is automatically shut off, set the POWER switch on the rear panel to OFF. Then make preparations for the HDD, as follows:
IMPORTANT: During the following procedures, be sure NOT to impart shock to the HDD.
(1) Remove the built-in HDD from the unit. Change the position of the jumper pin from MASTER to SLAVE. Connect the IDE cable for Drive 2 ("Secondary" cable) and the power cable.
B **IMPORTANT:** Be careful that the PCB block of the HDD does not come into contact with any other electric circuit block (to avoid short-circuiting of the HDD).
(2) Set the jumper pin of the new HDD to the MASTER position and install the new HDD in the place where the built-in HDD was. Connect the IDE cable ("Primary" cable) and the power cable.

5. Set the POWER switch on the rear panel to ON then press the [STANDBY/ON] button on the front panel to turn the unit on. The HDD copying disc (GGV1176) for the PRV-LX10 is automatically started, and the following message is displayed on the monitor screen:

Welcome to Pioneer DVD Recorder HDD Backup Program
Data = 2003.09.02....

Press appropriate front panel button for 2 seconds
followed by [ENTER] button for 2 seconds.
C 1)[UP] Full Copy (Secondary/Slave → Primary/Master)
2)[DOWN] Quit

6. Hold the [UP] button on the front panel pressed at least 2 seconds then hold the [ENTER] button pressed at least 2 seconds. Copying of data from the old HDD to the new HDD starts. (The time required for copying varies depending on the amount of user data, but the approximate maximum time is 2 hours.)
7. After copying is completed, the disc is automatically ejected, then the unit restarts. Check operations after startup is completed. If there is no problem, turn off the unit.
8. Set the POWER switch on the rear panel to OFF. Disconnect the old HDD connected to the cables from Drive 2.
- D 9. Check the cable connections.
Note: If Drive 2 is available, make the connections as they were originally made.

- *1 If an HDD that has already been used with another unit is to be used as a new HDD (copy-destination HDD), copying cannot be done if there are project data on that HDD. In this case, first delete all project data from the HDD, using the Function menus. When using a reused HDD without project data, copying of only the user's data becomes possible. In this case, the following optional menu is added in the message displayed in Step 5:

3)[LEFT] DATA Copy (Secondary/Slave → Primary/Master)

- **In a case where the HDD being installed does not physically operate → After replacement of the HDD, reinstall the software program.**

- E
1. After checking that the POWER switch on the rear panel is set to OFF, replace the built-in HDD with a new one.
IMPORTANT: During the following procedures, be sure NOT to impart shock to the HDD.
 2. Using the forced-eject pin (DEX1008), open the tray for Drive 1 then load the OS installation disc for the PRV-LX10 into the tray. **Note:** Push the tray in a little then turn on the power.
 3. Following the procedures for "OS installation," install the OS, using the OS installation disc (GGV1177) for the PRV-LX10. See "7.1.14 How to Install the OS or Program."
 4. Following the procedures for "Program installation," install the program, using the Program installation disc (GGV1234, Ver. 3.01) for the PRV-LX10. See "7.1.14 How to Install the OS or Program."

Note: Before discarding an old HDD, physically destroy it so that the data on it cannot be extracted.

7.1.12 HOW TO CHECK THE HDD

• How to check the HDD that is mounted on the product is described below:

- ① Select Function Menu, Setup, System, HDD Tools, then Check, and execute. "HDD File System Check" is executed, and recoverable errors are corrected. The results can be checked on the monitor screen.
- ② The HDD check can also be performed from the following menu displayed during OS installation:
 - (1) [UP] : Full Install (Delete all data)
 - (2) [DOWN] : Install (Keep user's data)
 - (3) [LEFT] : HDD File System Check
 - (4) [RIGHT] : HDD Test (Bad Block Check)
 - (5) [SCAN R] : Quit

Select (3) or (4), and execute. The result can be checked on the monitor screen.

For details on how to enter the menu, see "OS installation" in "7.1.14 How to Install the OS or Program."

Notes:

- An HDD Test (4 above) may take 10 hours or more, depending on the capacity of the HDD.
- If the menu does not appear in the process of the normal OS installation procedures, change the setting of BIOS "First Boot Device" to CD-ROM then restart the unit from the OS installation disc.
- In the above case, after the HDD Check is finished, be sure to return the setting of BIOS "First Boot Device" to HDD.

7.1.13 CLEANING



Before shipping out the product, be sure to clean the following positions by using the prescribed cleaning tools:

• Pickup

Position to be cleaned	Cleaning tools
Pickup lenses	Cleaning liquid : GEM1004 Cleaning paper : GED-008

• Fan

Position to be cleaned	Cleaning tools
Fans	Cleaning paper : GED-008

7.1.14 HOW TO INSTALL THE OS OR PROGRAM

■ OS installation

- A
- ① While holding the [ENTER] button on the front panel pressed, press the [STANDBY/ON] button to start the unit.
 - ② "PGM-INSTALL" is displayed on the FL display, and the tray for the DVD Drive opens.

■ Display on the monitor screen:

- PRV-LX10 Program Installer -

B PLEASE INSERT INSTALLATION CD IN DRIVE ONE,
THEN PRESS [ENTER] BUTTON ON FRONT PANEL
FOR 2 SECONDS TO BEGIN UPDATE.

>>

- ③ Load the OS installation disc into the tray then press the [ENTER] button. The tray will close, and changing of the BIOS settings starts.

■ Display on the FL display:

DOWNLOAD FULL

■ Display on the monitor screen:

C =====
= PRV-LX10 Program Installer =
=====

The PRV-LX10 will automatically start power off after 5 seconds later.

Please press the power button after power off.

PLEASE WAIT A MINUTE.

Completed changing the BIOS settings.

- D
- ④ When the unit is automatically turned off, turn it back on.
 - ⑤ If the following menu* appears on the screen, select the operation you wish. Use the corresponding buttons on the front panel for selection. (For example, press the [UP] button to select full installation.)

- E
- (1) [UP] : Full Install (Delete all data)
 - (2) [DOWN] : Install (Keep user's data)
 - (3) [LEFT] : HDD File System Check
 - (4) [RIGHT] : HDD Test(Bad Block Check)
 - (5) [SCAN R] : Quit

(1) [UP]: Full Install (Delete all data)

- The whole HDD is formatted, then the OS is installed.
- All data, including the user data, are deleted. Installation is completed in about 10 minutes, then rebooting starts.
- During installation, the progress is displayed on the screen. If the screen does not change after about 15 minutes, or if the installation process has not been completed after about 30 minutes, turn off the power and restart the OS installation process. If installation cannot be completed on the second try, replace the HDD.

IMPORTANT!: After OS installation, be sure to install the program.

(2) [DOWN]: Install (Keep user's data)

- Only the OS is installed, leaving the user's data intact. This does not mean, however, that the integrity of the user's data is guaranteed.
- Installation is completed in about 8 minutes, then rebooting starts.
- During installation, the progress is displayed on the screen. If the screen does not change after about 15 minutes, or if the installation process has not been completed after about 30 minutes, turn off the power and restart the OS installation process. If installation cannot be completed on the second try, replace the HDD.

IMPORTANT!: After OS installation, be sure to install the program.

(3) [LEFT]: HDD File System Check

- A logical check of all files on the HDD is performed, then the results are displayed.
- To return to the menu, press the [ENTER] button on the front panel.

(4) [RIGHT]: HDD Test (Bad Block Check)

- A physical check of the HDD is performed, then the results are displayed. It must be noted that this test takes 10 hours or more.
- To return to the menu, press the [ENTER] button on the front panel.

(5) [SCAN R]: Quit

- To terminate the installation program and start rebooting

***With some installation discs for production lines, full installation starts automatically, without displaying the menu.**

⑥ Execute the selected item.

- After execution, rebooting starts automatically.

⑦ Turn off the power.

⑧ Start up the unit by pressing the [STANDBY/ON] button on the front panel, then make sure that the version of the OS is updated, using the Debug screen (ESC + DISP).

⑨ Proceed to program installation.

■ Program installation

- ① Hold the [ENTER] button on the front panel pressed and press the [STANDBY/ON] button to start up the unit.
- ② "PGM-INSTALL" is displayed on the FL display, and the tray for the DVD drive opens.

Display on the monitor screen:

 - PRV-LX10 Program Installer -

PLEASE INSERT INSTALLATION CD IN DRIVE ONE,
 THEN PRESS [ENTER] BUTTON ON FRONT PANEL
 FOR 2 SECONDS TO BEGIN UPDATE.

>>

- ③ Load the program installation disc (GGV1234, Ver. 3.01) into the tray and press the [ENTER] button on the front panel. The tray will close, and upgrading of the version starts.

Display on the FL display:

DOWNLOAD FULL

Display on the monitor screen:

=====
 = PRV-LX10 Program Installer =
 =====

Setup Directories ...

Start Program Download ...

= Setup Drives. = --> The message changes according to the progress.

==== --> Progress bar

- ④ When installation is finished, the PRV-LX10's startup display appears on the monitor screen, the tray for DVD Drive opens, and "DOWNLOAD COMPLETED" is displayed on the FL display. Then the unit is automatically turned off.
- ⑤ Start up the unit by pressing the [STANDBY/ON] button on the front panel, then make sure that the version of the program is updated, using the Debug screen (ESC + DISP).

Note: If a program whose version is older than the currently installed one is to be installed, the following message is displayed:

On the monitor screen:

Current Version : 1.07

Installation CD Version : 1.05

Newer version programs have already been installed.

Press appropriate front panel button for 2 seconds followed by [ENTER] button for 2 seconds.

(1) [UP] Force to install

(2) [DOWN] Quit.

>>

- To continue the installation process, press the [UP] button then the [ENTER] button on the front panel.

7.1.15 TROUBLE SHOOTING

Operation	Sequence	Symptom	Check item	Measures to be taken
Startup	From power on, supply of STB + 5 V power, to startup of the FL microcomputer STB_LED: Orange	The unit does not enter Standby mode even if the POWER switch is set to ON.	Check the following connections: The LED (D10) for STB +5 V power supply on the PWRB remains unlit: Disconnect the cable that connects the PWRB (CN3) and FLKB (CN501) then turn on the power. → D10 lights up. Disconnect the cable that connects the PWRB (CN3) and FLKB (CN501) then turn on the power. → D10 remains unlit. The LED (D10) for STB +5 V power supply on the PWRB is lit:	Check the connections for the ATX power supply, PWRB, and FLKB: Reconnect the 20-pin cable of the ATX power supply (DXF1005), or replace the ATX power supply. If it is suspected that the FLKB (DWZ1164) is defective, replace it. If it is suspected that the PWRB (DWZ1129) is defective, replace it. Replace ICP (IC8) on the PWRB (DWZ1129). Reconnect or replace the 20-pin cable (DKP3637) between the PWRB (CN3) and FLKB (CN501). If it is suspected that the FLKB (DWZ1164) is defective, replace it.
	STB_SW ON	Even if the STB switch is pressed, its indicator remains lit in orange, and the unit does not start.	Check the following connections: The PWR_SW on the PWRB is set to L: The LED (D19) for STB +5 V power supply for the MB on the PWRB remains unlit. The PWR_SW on the PWRB is set to H: The LED (D19) for STB +5 V power supply for the MB on the PWRB is lit.	Check the connections for the FLKB, PWRB, and MB: Reconnect or replace the 20-pin cable (DKP3637) between the PWRB and FLKB. If it is suspected that the FLKB (DWZ1164) is defective, replace it. If it is suspected that the PWRB (DWZ1129) is defective, replace it. Reconnect or replace the 20-pin cable (DKP3657) between the MB and PWRB. If it is suspected that the MB (DXF1007) is defective, replace it.
	STB_LED: Green	Even if the STB switch is pressed, its indicator remains lit in green, and the unit does not start.	Check the following connections: PWR_SW2 on the PWRB is set to L: PWR_SW2 on the PWRB is set to H: The LEDs (D11, D12, and D13) for power supply on the PWRB remain unlit. The LEDs (D11, D12, and D13) for power supply on the PWRB are lit.	Check the connections for the ATX power supply, PWRB, MB, and FLKB: Reconnect or replace the 20-pin cable (DKP3637) between the PWRB and FLKB. If it is suspected that the FLKB (DWZ1164) is defective, replace it. Reconnect or replace the 6-pin to 9-pin cable (DKP3635) between the MB and PWRB. If it is suspected that the MB (DXF1007) is defective, replace it. Reconnect the 20-pin cable of the ATX power supply (DXF1005), or replace the ATX power supply. Reconnect or replace the 20-pin cable (DKP3637) between the PWRB (CN3) and FLKB (CN501). If it is suspected that the FLKB (DWZ1164) is defective, replace it. If it is suspected that the PWRB (DWZ1129) is defective, replace it.
	Startup of the ATX power, start of the FL display	Misc.: Black screen (POST screen not displayed)		Reinstall or replace the CPU and the memory module. Clear the data in the CMOS RAM for BIOS (by short-circuiting Pins 1 and 2 of the JP14 jumper switch on the MB).
	BIOS startup	Even if the STB switch is pressed, the message on the FL display remains "PLEASE WAIT," and the unit does not start.	Check the connections (for power supply)	Check the connections between the ATX power supply and the HDD, or among the ATX power supply, PWRB, and MB: Reinstall the power supply for peripheral devices between the ATX power supply and the HDD. Or replace the ATX power supply. Reconnect or replace the 4-pin cable (DKP3656) for power supply for the CPU on the MB (PWR_P4). Check the connections between the MB and HDD, or the MB and FLKB: Reconnect or replace the IDE flat cable (DKP3647) between the MB and HDD. Reconnect or replace the 3-pin to 10-pin cable (DKP3645) between MB and FLKB (CN504).
	Searching for the boot drive	"Non-System Disk or Disk error. Replace and press any key when ready" "Detecting IDE drivers . . ."	VGA screen display "CMOS checksum error - Defaults loaded" "Non-System Disk or Disk error. Replace and press any key when ready" "Detecting IDE drivers . . ."	If the battery is discharged (2.5 V DC or less), replace it. If it is suspected that the MB (DXF1007) is defective, replace it. If checking of BIOS data fails, press the F1 key then reload the BIOS data. If the data on the HDD are damaged, reinstall the data. If it is suspected that the HDD (VXF1015) is defective, replace it.
		"DISK BOOT ERROR, INSERT SYSTEM DISK AND PRESS ENTER"	"DISK BOOT ERROR, INSERT SYSTEM DISK AND PRESS ENTER"	The settings for the connected HDD or DVD Drive are wrong: If it is suspected that the HDD (VXF1015) is defective, replace it. If it is suspected that the DVD Drive (DVR-105-PLX) is defective, replace it.
		Beep sounds: One long Two long Two short-long combinations		Check on the BIOS screen if the HDD is recognized: Set the jumper pin of the HDD to MASTER. If it is suspected that HDD (VXF1015) is defective, replace it.
		Misc.: Noise from the HDD		This means a memory error. Reinstall or replace the DDR memory module. This means a memory error. Reinstall or replace the DDR memory module. This means a video error. If it is suspected that the MB (DXF1007) is defective, replace it.
				If it is suspected that the HDD (VXF1015) is defective, replace it. If it is suspected that the FLKB (DWZ1164) is defective, replace it. If it is suspected that the MB (DXF1007) is defective, replace it.

Operation	Sequence	Symptom	Check Item	Measures to be taken
Startup	Execution of startup script	The following message is displayed on the FL display: "FSCK-ERROR BOOT/USR"		Reinstall the OS (Installation leaving the user's data intact is also possible).
		The following message is displayed on the FL display: "FSCK-ERROR HOME"		Reinstall the OS (Installation leaving the user's data intact is also possible).
		The following message is displayed on the FL display: "FSCK-ERROR VAR"		Reinstall the OS (Installation leaving the user's data intact is also possible).
		The following message is displayed on the FL display: "POWER ON FSCK-ERROR"		Reinstall the OS (Installation leaving the user's data intact is also possible).
		The following message is displayed on the FL display: "NO BOARD ENCODER"	Check the connections. The "Xilinx_STA" LED on the PCB remains unlit during startup. The "Encode_STA" LED on the PCB remains lit during startup.	Check attachment of the PCI card to the DECB and MB. It is suspected that the PCB (DWP1080) is defective, replace it. It is suspected that the PCB (DWP1080) is defective, replace it.
			Misc.: Check the power of the PCB (DWP1080): D2101: The LED for -12 V power supply remains unlit D2102: The LED for +12 V power supply remains unlit D2301: The LED for +5 V power supply remains unlit	Check the LED for power supply on the PCB (DWP1080). It is suspected that the PCB (DWP1080) is defective, replace it. It is suspected that the PCB (DWP1080) is defective, replace it. It is suspected that the PCB (DWP1080) is defective, replace it. Reinstall the PCB (DWP1080).
			The message "!!!!!!!!!!!!NO ENCODER BOARD ERROR AGAIN!!!!!!!!!!!!" is displayed in the log file.	Reinstall the PCB (DWP1080).
			Check the connections.	Check attachment of the PCI card to the DECB and MB.
			The "Xilinx_STA" LED on the DECB remains unlit during startup. The "Decode_STA" LED on the DECB remains lit during startup.	It is suspected that the DECB (DWP1081) is defective, replace it. It is suspected that the DECB (DWP1081) is defective, replace it.
			Misc.: Check the power supply for the DECB (DWP1081): The LED (D1137) for +1.8 V power supply is unlit.	Check the LED for power supply on the DECB (DWP1081). It is suspected that the DECB (DWP1081) is defective, replace it. If it is suspected that ICP (IC1351) is broken, replace it.
Starting application	Completion of application startup	The message "!!!!!!!!!!!!NO DECODER BOARD ERROR AGAIN!!!!!!!!!!!!" is displayed in the log file.	Reinstall the DECB (DWP1081).	
		Check the connections:	Check the connections between the AVIB and PCB. Reconnect the 50-pin FFCs (DDD1226) that connect the AVIB (CN3001 and CN3002) and PCB (CN2103 and CN2104), or replace them. Reconnect or replace the 4-pin cable (DKP3640) that connects the AVIB (CN3301) and PCB (CN2101).	
		Even if the STB SW is pressed, the message on the FL display remains "000. . . ." and the unit does not start.	The "Xilinx_STA" LED on the AVIB remains unlit during startup. The "Encode_STA" LED on the AVIB remains lit during startup. The "Xilinx_STA" LED on the PCB remains unlit during startup. The "Encode_STA" LED on the PCB remains lit during startup.	If it is suspected that the AVIB (DWV1198) is defective, replace it. If it is suspected that the AVIB (DWV1198) is defective, replace it. If it is suspected that the AVIB (DWV1198) is defective, replace it. If it is suspected that the AVIB (DWV1198) is defective, replace it.
		Misc.: Check the positions of the jumper pins in DVD Drive 1 and Drive 2.	Set the jumper pin of Drive 1 to MASTER and that of Drive 2 to SLAVE.	

Operation	Symptom	Check Item	Measures to be taken
Recording/ playback	No input to the RCA, XLR, CVBS, S, YCbCr, and DV connectors (signals cannot be output or recorded during preview or recording)	<p>Check the connections (for power supply): The LEDs for power supply (D3201, D3202, D3203, and D3204) on the AVIB remain unlit. When the AVIB (CN3201) connector is disconnected, no DC voltage is applied to the PWRB connector pin. When the AVIB (CN3201) connector is disconnected, DC voltage is applied to the PWRB connector pin. The LEDs for power supply (D7619, D7620, D7621, and D7622) on the JKIB remain unlit. When the JKIB (CN7613) connector is disconnected, no DC voltage is applied to the AVIB connector pin. When the JKIB (CN7613) connector is disconnected, DC voltage is applied to the AVIB connector pin. The LEDs for power supply (D2101, D2102, and D2301) on the PCB remain unlit.</p>	<p>Check the connections for the PWRB, AVIB and JKIB, and connections between MB and PCB: Reconnect or replace the 14-pin cable (DKP3636) between PWRB (CN2) and AVIB (CN3201). If it is suspected that the PWRB (DWZ1129) is defective, replace it. If it is suspected that the AVIB (DWV1202) is defective, replace it. Reconnect or replace the 7-pin cable (DKP3639) between AVIB (CN3201) and JKIB (CN7613). If it is suspected that the AVIB (DWV1202) is defective, replace it. If it is suspected that JKIB (DWZ1126) is defective, replace it. Securely reinstall the PCB (DWP1080) on the MB. If it is suspected that the PCB (DWP1080) is defective, replace it.</p>
No input to the RCA and XLR No input to the CVBS, S, and YCbCr connectors	<p>Check the connections (for AV signals): No analog signal input to the AVIB connector pin Analog signal is input to the AVIB connector pin. The "Xilinx_STA" LED on the AVIB remains lit during encoding. The "Encode_STA" LED on the PCB randomly lights during encoding. The "Xilinx_STA" LED on the AVIB remains lit during encoding. The "Encode_STA" LED on the PCB randomly lights during encoding.</p>	<p>Check the connections for the JKIB, AVIB, and PCB: Reconnect or replace the 20-pin FCC (DDD1228) that connects AVIB (CN3501) and JKIB (CN7611). If it is suspected that JKIB (DWZ1126) is defective, replace it. If it is suspected that the AVIB (DWV1202) is defective, replace it. Reconnect or replace the two 50-pin FCCs (DDD1226) that connect the AVIB (CN3001 and CN3002) and PCB (CN2103 and CN2104). If it is suspected that the AVIB (DWV1202) is defective, replace it. If it is suspected that the PCB (DWP1080) is defective, replace it. Reconnect or replace the 6-pin cable (DKP3658) between the AVIB (CN4001) and JKIB (CN7402). If it is suspected that the AVIB (DWV1202) is defective, replace it. If it is suspected that the PCB (DWP1080) is defective, replace it.</p>	<p>If it is suspected that JKIB (DWZ1126) is defective, replace it. If it is suspected that the JKO (DWZ1127) is defective, replace it. If it is suspected that the AVIB (DWV1202) is defective, replace it. If it is suspected that JKIB (DWZ1126) is defective, replace it. If it is suspected that the DECB (DWP1081) is defective, replace it. Check the format of connected devices. If the input source is copy-protected, it cannot be recorded.</p>
No output from the DV connector "NO DV INPUT" displayed	<p>Check which of the following will be the case: No THRU output even with the SOURCE MONITOR setting The THRU output is available with the SOURCE MONITOR setting. Playback is possible. Recording is possible. Check the format. Check the input source.</p>	<p>Check the connections (for power supply): The LEDs for power supply (D3201, D3202, D3203, and D3204) on the AVIB remain unlit. When the AVIB (CN3201) connector is disconnected, no DC voltage is applied to the PWRB connector pin. When the AVIB (CN3201) connector is disconnected, DC voltage is applied to the PWRB connector pin. The LEDs for power supply (D7619, D7620, D7621, and D7622) on the JKIB remain unlit. When the JKIB (CN7613) connector is disconnected, no DC voltage is applied to the AVIB connector pin. When the JKIB (CN7613) connector is disconnected, DC voltage is applied to the AVIB connector pin. The LED (D1137) for power supply on the DECB remains unlit.</p>	<p>Check the connections for the PWRB, AVIB, and JKIB, and connections between the MB and DECB: Reconnect or replace the 14-pin cable (DKP3636) between PWRB (CN2) and AVIB (CN3201). If it is suspected that the PWRB (DWZ1129) is defective, replace it. If it is suspected that the AVIB (DWV1202) is defective, replace it. Reconnect or replace the 7-pin cable (DKP3639) between AVIB (CN3201) and JKIB (CN7613). If it is suspected that the AVIB (DWV1202) is defective, replace it. If it is suspected that JKIB (DWZ1126) is defective, replace it. Securely reinstall the DECB (DWP1081) on the MB. If it is suspected that the DECB (DWP1081) is defective, replace it.</p>
No output from the RCA, XLR, and HP connectors No output from the CVBS, S, and YCbCr connectors No output from the DV connector	<p>Check the connections (for AV signals): The "Decode_STA" LED (D1182) on the DECB remains unlit during decoding. The "Decode_STA" LED (D1182) on the DECB flashes during decoding. Check if there is analog output other than the DV output. → No Check if there is analog output other than the DV output. → Yes The THRU output is available with the SOURCE MONITOR setting. No THRU output even with the SOURCE MONITOR setting.</p>	<p>Check the connections for the DECB, JKIB, and JKO: Reconnect or replace the 30-pin FCC (DDD1229) that connects the DECB (CN1811) and JKIB (CN7801). If it is suspected that the DECB (DWP1081) is defective, replace it. If it is suspected that JKIB (DWZ1126) is defective, replace it. Reconnect or replace the 6-pin cable (DKP3658) between the AVIB (CN4001) and JKIB (CN7402). Reconnect or replace the 30-pin FCC (DDD1229) that connects the AVIB (CN1651) and DECB (CN6002). Reconnect or replace the 14-pin cable (DKP3636) between PWRB (CN2) and AVIB (CN3201). If it is suspected that the AVIB (DWV1202) is defective, replace it. Reconnect or replace the 30-pin FCC (DDD1229) that connects the DECB (CN1811) and JKIB (CN7801). If it is suspected that JKIB (DWZ1126) is defective, replace it. Reconnect or replace the 30-pin FCC (DDD1230) that connects the JKIB (CN7802) and JKO (CN7851). If it is suspected that the JKO (DWZ1127) is defective, replace it.</p>	<p>Check the connections for the PWRB, AVIB, and JKIB, and connections between the MB and DECB: Reconnect or replace the 14-pin cable (DKP3636) between PWRB (CN2) and AVIB (CN3201). If it is suspected that the PWRB (DWZ1129) is defective, replace it. If it is suspected that the AVIB (DWV1202) is defective, replace it. Reconnect or replace the 7-pin cable (DKP3639) between AVIB (CN3201) and JKIB (CN7613). If it is suspected that the AVIB (DWV1202) is defective, replace it. If it is suspected that JKIB (DWZ1126) is defective, replace it. Securely reinstall the DECB (DWP1081) on the MB. If it is suspected that the DECB (DWP1081) is defective, replace it.</p>

Operation	Symptom	Check item	Measures to be taken
Recording/ playback	No output from the CVBS or S terminal	Check to see if the Progressive signal is set to be output.	To change the setting, run the unit idle then press the DOWN then STOP keys.
	No video or audio output even with the SOURCE MONITOR setting	Check input/output settings. The LEDs (D3201, D3202, D3203, and D3204) for power supply on the AVIB remain unit. Disconnect the 7-pin cable that connects the AVIB (CN3202) and JKIB (CN7613). → No DC voltage applied to the terminals Disconnect the 7-pin cable that connects the AVIB (CN3202) and JKIB (CN7613). → DC voltage applied to the terminals The LEDs (D7619, D7620, D7621, and D7622) for power supply on the JKIB remain unit. Is the THRU_SW signals from the AVIB switched? Disconnect the 20-pin FFC cable that connects the AVIB (CN3501) and JKIB (CN7611). → THRU_SW signal from the AVIB is set to L. Disconnect the 20-pin FFC cable that connects the AVIB (CN3501) and JKIB (CN7611). → THRU_SW signal from AVIB is set to H.	On the Function menu, set AV INPUT to CVBS or RCA, then input the corresponding signal. Reconnect or replace the 14-pin cable (DKP3636) between the PWRB (CN2) and AVIB (CN3201). If it is suspected that the AVIB (DWV1202) is defective, replace it. If it is suspected that the JKIB (DWZ1126) is defective, replace it. Reconnect or replace the 7-pin cable (DKP3639) between the AVIB (CN3202) and JKIB (CN7613). If it is suspected that the JKIB (DWZ1126) is defective, replace it. Reconnect or replace the 20-pin FFC (DD1228) that connects the AVIB (CN3501) and JKIB (CN7611). If it is suspected that the AVIB (DWV1202) is defective, replace it. If it is suspected that the JKIB (DWZ1126) is defective, replace it. Reconnect or replace the 30-pin FFC (DD1230) that connects the JKIB (CN7802) and JKOB (CN7851). If it is suspected that the JKOB (DWZ1127) is defective, replace it.
	No HP audio output	Check the connections (for power supply): The LEDs (D3201, D3202, D3203, and D3204) for power supply on the AVIB remain unit. Disconnect the AVIB (CN3201) connector. → No DC voltage applied to the PWRB connector pin Disconnect the AVIB (CN3201) connector. → DC voltage applied to the PWRB connector pin The LEDs (D7619, D7620, D7621, and D7622) for power supply on the JKIB remain unit. Disconnect the AVIB (CN3202) connector. → No DC voltage applied to the AVIB connector pin Disconnect the AVIB (CN3202) connector. → DC voltage applied to the AVIB connector pin The LED (D661) for power supply on the HPVB remain unit. Disconnect the HPVB (CN7701) connector. → No DC voltage applied to the JKIB connector pin Disconnect the HPVB (CN7701) connector. → DC voltage applied to the JKIB connector pin	Check the connections for the PWRB, AVIB, JKIB, and HPVB: Reconnect or replace the 14-pin cable (DKP3636) between the PWRB (CN2) and AVIB (CN3201). If it is suspected that the PWRB (DWZ1129) is defective, replace it. If it is suspected that the AVIB (DWV1202) is defective, replace it. Reconnect or replace the 7-pin cable (DKP3639) between the AVIB (CN3202) and JKIB (CN7613). If it is suspected that the AVIB (DWV1202) is defective, replace it. If it is suspected that the JKIB (DWZ1126) is defective, replace it. Reconnect or replace the 8-pin cable (DKP3643) between the JKIB (CN7701) and HPVB (CN661). If it is suspected that the JKIB (DWZ1126) is defective, replace it. If it is suspected that the HPVB (DWZ1128) is defective, replace it.
		Check the connections (for audio signals): Audio not output from the HP, RCA, and XLR connectors Audio not output only from the HP connector	Check the connections for the DECB, JKIB, and HPVB: Reconnect or replace the 30-pin FFC (DD1229) that connects the DECB (CN1811) and JKIB (CN7801). If it is suspected that the DECB (DWP1081) is defective, replace it. If it is suspected that the JKIB (DWZ1126) is defective, replace it. Reconnect or replace the 8-pin cable (DKP3643) between the JKIB (CN7701) and HPVB (CN661). If it is suspected that the HPVB (DWZ1128) is defective, replace it.
DVD recording/playback impossible	Check the connections: Press Function, and check the lower-right part of the screen to see if the connected drive is recognized. No DVD1 indicator No DVD2 indicator	Check the connections: Check the media you use. Check the input source. Check the connections.	Check the connections between the MB and DVD_Drives 1-2, and between the ATX power supply and DVD_Drives 1-2. Reconnect or replace the IDE cable (DKP3671) between MB and DRV: If it is suspected that the DVD Drive 1 (DVR-105-PLX) is defective, replace it. If it is suspected that the DVD Drive 2 (DVR-105-PLX) is defective, replace it. Reinstall the power supply for peripheral devices between the ATX power supply and the DVR. Or replace the ATX power supply.
ENCODER ERROR "FF000002" is displayed on the screen.	Preview impossible	Check the connections: The LEDs (D7925, D7926, and D7927) for power supply on the JKDB remain unit. Disconnect the JKDB (CN7902) connector. → No DC voltage applied to the PCIB connector pin Disconnect the JKDB (CN7902) connector. → DC voltage applied to the PCIB connector pin Check the signals.	Use a DVD-R or DVD-RW disc whose standard is supported by this unit. If the input source is copy-protected, it cannot be recorded. Check the connections between the AVIB and PCIB: Reconnect or replace the two 50-pin FFCs (DDD1226) that connect AVIB (CN3001 and CN3002) and PCIB (CN2103 and CN2104). If it is suspected that the AVIB (DWV1202) is defective, replace it. If it is suspected that the PCIB (DWP1081) is defective, replace it.
No synchronization with the external sync			Check the connections between the PCIB and JKDB, and between the DECB and JKDB: Reconnect or replace the 11-pin cable (DKP3642) between the PCIB (CN2102) and JKDB (CN7902). If it is suspected that the PCIB (DWP1081) is defective, replace it. If it is suspected that the JKDB (DWZ1134) is defective, replace it. Reconnect or replace the 2-pin cable (DKP3638) between the DECB (CN1471) and JKDB (CN7941).

Operation	Symptom	Check Item	Measures to be taken
Misc	No operation possible with a USB device (mouse/keyboard) connected to one of the USB connector on the front panel	<p>Check the connections: The LED (D681) for the power supply on the USBB remains unlit: → Disconnect the USBB (CN684) connector. → No DC voltage applied to the PWRB connector pin → Disconnect the USBB (CN684) connector. → DC voltage applied to the PWRB connector pin</p> <p>Check the USB signal.</p>	<p>Check the connections between the PWRB and USBB, and the MB and USBB. Reconnect or replace the 3-pin cable (DKP3655) for power supply between the PWRB (CN5) and USBB (CN684). If it is suspected that the PWRB (DWZ1129) is defective, replace it. If it is suspected that the USBB (DWZ1159) is defective, replace it.</p>
	Control from an external device through RS-422 impossible	<p>Check the connections: The LEDs (D7925, D7926, and D7927) for the power supply on the JKDB remains unlit: → Disconnect the JKDB (CN7902) connector. → No DC voltage applied to the PCI connector pin → Disconnect the JKDB (CN7902) connector. → DC voltage applied to the PCI connector pin</p> <p>Check the settings and connected devices.</p>	<p>Check the connections among the PCB, JKDB, and 422IB: Reconnect or replace the 11-pin cable (DKP3642) between the PCB (CN2102) and JKDB (CN7902). If it is suspected that the PCB (DWP1081) is defective, replace it. If it is suspected that the JKDB (DWZ1134) is defective, replace it. Reconnect or replace the c-pin cable (DKP3644) between the JKDB (CN7903) and 422IB (CN7952). The external RS-422 device may be one that cannot control this unit. → Refer to the Web site of Pioneer.</p>
	Control of an external device through RS-422 impossible	<p>Check the connections: The LEDs (D7925, D7926, and D7927) for the power supply on the JKDB remains unlit: → Disconnect the JKDB (CN7902) connector. → No DC voltage applied to the PCI connector pin → Disconnect the JKDB (CN7902) connector. → DC voltage applied to the PCI connector pin</p> <p>Check the settings and connected devices.</p>	<p>Check the connections between the PCB and JKDB: Reconnect or replace the 11-pin cable (DKP3642) between the PCB (CN2102) and JKDB (CN7902). If it is suspected that the PCB (DWP1081) is defective, replace it. If it is suspected that the JKDB (DWZ1134) is defective, replace it. The external RS-422 device may be one that this unit cannot control. → Refer to the Web site of Pioneer.</p>
	LAN communication impossible	<p>Check the connections. Check the settings. The LINK LED (yellow) corresponding to the LAN terminal does not light.</p>	<p>Connect the unit to a router, etc. with a straight cable. If NETWORK is set to OFF, set it to ON. If it is suspected that the MB (DXF1007) is defective, replace it.</p>
	No operation of DVD-DRV1 DRV2 operates instead of DRV1	<p>Check the connections.</p>	<p>Check the connections between the MB and DVD_Drive 1, and between the ATX power supply and DVD_Drive 1. Reconnect the 4-pin power cable for the DVD-Drive 1. Reconnect or replace the IDE cable (DKP3671) between the MB and Drive 1. If it is suspected that the DVD Drive 1 (DVR-105-PLX) is defective, replace it. Reconnect or replace the 6-pin FFC (DDD1231) that connects the FLKB (CN502) and DRV1B (CN631).</p>
	No operation of DVD-DRV2	<p>Check the connections.</p>	<p>Check the connections between the MB and DVD_Drive 2, and between the ATX power supply and DVD_Drive 2. Reconnect the 4-pin power cable for the DVD-Drive 2. Reconnect or replace the IDE cable (DKP3671) between the MB and Drive 2. If it is suspected that the DVD Drive 2 (DVR-105-PLX) is defective, replace it. Reconnect or replace the 6-pin FFC (DDD1231) that connects the KEYB (CN602) and DRV2B (CN641).</p>
	Key input disabled, or malfunctioning	<p>Check the connections: It is suspected that the key signals from another device remain to be input to FLUCOM (IC501) and that signals from the corresponding keyboard are not accepted.</p> <p>Check the key input from the remote control unit for service:</p> <p>As each segment on the FL display corresponds to a particular key on the remote control unit for service.</p> <p>If any segment on the FL display was already unlit, there had already been key input.</p>	<p>Check the connections among the FLKB, KEYB, DRV1B, and DRV2B: Reconnect or replace the 25-pin FFC (DDD1232) that connects the FLKB (CN503) and KEYB (CN601). Reconnect or replace the 6-pin FFC (DDD1231) that connects the KEYB (CN602) and DRV2B (CN641). To enter Front-Panel-Button-Input Test mode, press the [ESC], [TEST], then [TV/LDP] keys, in that order. To quit Test mode, press the [ESC] key.</p> <p>Repair/replace the Assy corresponding to the inoperable key. FLKB (DWZ1164): STB, Disp, Func, Function operations (>5) KEYB (DWZ1157): Drv, Sel, Preview, Main operations (>8) DRV1B (DWZ1160): Drv1, Eject DRV2B (DWZ1161): Drv2, Eject</p> <p>Repair/replace the Assy.</p>

Operation	Symptom	Check Item	Measures to be taken
Misc.	Remote control unit not effective	<p>Check the connections.</p> <p>Signals from the remote control unit may not be accepted because FL_UCOM (IC501), which handles those signals, is occupied with other key signals that are kept input, although the remote control signals themselves are correctly processed in the FLKB.</p> <p>Check key input from the remote control unit for service:</p> <p>Key input from the remote control unit for service is not accepted.</p> <p>As each segment on the FL display corresponds to a particular key of the remote control unit for service.</p>	<p>Check the connections among the FLKB, KEYB, DRV1B, and DRV2B:</p> <p>Reconnect or replace the 25-pin FFC (DDD1232) that connects the FLKB (CN503) and KEYB (CN601).</p> <p>Reconnect or replace the 6-pin FFC (DDD1231) that connects the FLKB (CN502) and DRV1B (CN631).</p> <p>Reconnect or replace the 6-pin FFC (DDD1231) that connects the FLKB (CN602) and DRV2B (CN641).</p> <p>To enter Front-Panel-Button-Input Test mode, press the [ESC], [TEST], then [TV/LDP] keys, in that order. To quit Test mode, press the [ESC] key.</p> <p>If it is suspected that the FLKB (DWZ1164) is defective, replace it.</p> <p>Repair/replace the Assy corresponding to the inoperable key.</p> <p>FLKB (DWZ1164): STB, Disp, Func, Function operation (x5)</p> <p>KEYB (DWZ1157): Drv, Sel, Preview, Main operation (x8)</p> <p>DRV1B (DWZ1160): Drv1_Elect</p> <p>DRV2B (DWZ1161): Drv2_Elect</p>
Misc.	All or part of the FL display is dark, or no FL display	<p>If any segment on the FL display was already unlit, there had already been key input.</p> <p>Check the connections.</p>	<p>Repair/replace the Assy.</p> <p>Check the connections between the PWRB and FLKB.</p> <p>Reconnect or replace the 20-pin cable (DKP3637) between the PWRB and FLKB.</p>
Installation	Installation not completed	<p>Check the display on the FL display, using the remote control unit for service.</p> <p>Check the power supply for the FL display.</p> <p>Misc.</p> <p>Check the settings and connections.</p>	<p>To enter LED/FL Test mode, press the [F5], [TEST], then [P_RUN] keys, in that order.</p> <p>To quit Test mode, press the [ESC] key. Check the FLKB (DWZ1164) or PWRB (DWZ1129) if all or part of the FL display is dark.</p> <p>If the power supply from the PWRB (DWZ1129) is insufficient, replace the board.</p> <p>IC301 : 23.4V</p> <p>IC401 : 26.8V</p> <p>IC451 : -31.2V</p> <p>The FL (DAW1019) on the FLKB (DWZ1164) is at the end of its life. Replace the FLKB board.</p> <p>Check the connections between the MB and HDD, MB and DVD_Drive_1, and between the MB and DVD_Drive_2.</p> <p>The HDD (VXF1015) must be connected to Master IDE_Primary.</p> <p>The DVD Drive 1 (DVR-105-PLX) must be connected to Master IDE_Secondary.</p> <p>The DVD Drive 2 (DVR-105-PLX) must be connected to Slave IDE_Secondary.</p> <p>Reinstall the OS.</p> <p>After replacement of the HDD, reinstall the OS.</p>
Parts	Inoperable CPU cooler	<p>"!!!!!!The root file system has been recovered!!!!!!!" is displayed in the log file.</p> <p>Check connections.</p> <p>No power supply to the CPU cooler</p> <p>The CPU cooler is defective.</p>	<p>If the same message was recorded many times, reinstall the OS.</p> <p>Check the connections between the MB and CPU_FAN, and among the ATX power supply, PWRB, and MB.</p> <p>Reconnect the connector for the CPU cooler.</p> <p>Reconnect the 20-pin cable of the ATX power supply (DXF1005), or replace the ATX power supply.</p> <p>Reconnect or replace the 20-pin cable (DKP3657) between the MB and PWRB (CN4).</p> <p>Replace the CPU cooler.</p>
Inoperable fans	Inoperable fans	<p>Check connections.</p> <p>The FAN_DET LED (D24) on the PWRB remains unlit.</p> <p>Check connections.</p>	<p>Check the connections between the PWRB and the two fans in the front section and one fan in the rear section:</p> <p>Reconnect or replace the 2-pin relay cable (DKP3676) that connects the PWRB (CN9) and the fan at the rear section.</p> <p>Reconnect the 2-pin cable that connects the PWRB (CN10) and Fan 1 at the front section, or replace the fan (AXM7014).</p> <p>Reconnect the 2-pin cable that connects the PWRB (CN11) and Fan 2 at the front section, or replace the fan (AXM7014).</p> <p>If it is suspected that the fan (AXM7014) is defective, replace it.</p> <p>If it is suspected that the PWRB (DWZ1129) is defective, replace it.</p>
The unit will not start even after MB replacement	The unit will not start even after MB replacement	<p>"CMOS checksum error-Defaults loaded" is displayed on the VGA screen.</p> <p>Check the date and time:</p> <p>At startup, press the [DEL] key to check the date and time on the BIOS screen (standard CMOS features). (The range of recognition at the APL level is from 2002.01.01 to 2037.12.31.)</p>	<p>Check the connections among the ATX power supply, PWRB, MB and FLKB.</p> <p>Check the connections between the MB and HDD.</p> <p>If the BIOS data check fails, press the F1 key then reload the BIOS values.</p> <p>Set the date and time according to the current Greenwich mean time.</p>

7.1.16 DISASSEMBLY

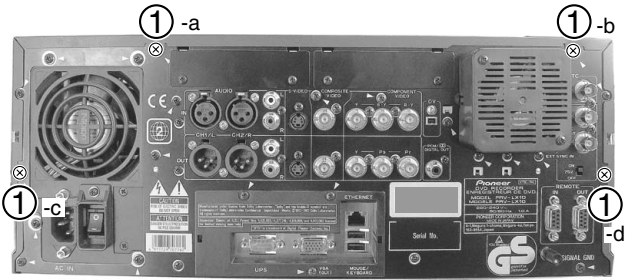
Note 1 : Do NOT look directly into the pickup lens. The laser beam may cause eye injury.

Note 2 : When disassembling, be careful not to injure yourself with a burr, etc. Place the unit on a flat, level surface to perform servicing.

Note 3 : Even if the unit shown in the photos and illustrations in this manual may differ from your product, the procedures described here are common.

1 Bonnet Assy

① Remove the four screws.

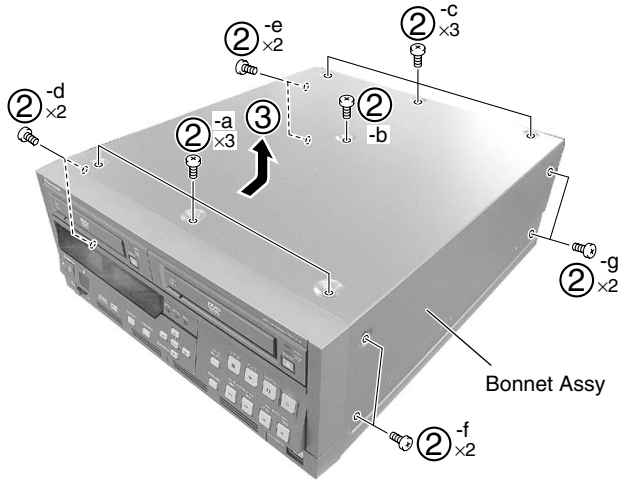


• Rear view



② Remove the fifteen screws.

③ Remove the bonnet Assy.



Bonnet Assy

Note:
When attaching the bonnet Assy, tighten the screws in the following order:

①-a, ①-b, ②-a to ②-g, ①-c, then ①-d.

2 Tray panel Section

① Remove the bonnet Assy. (See step 1)

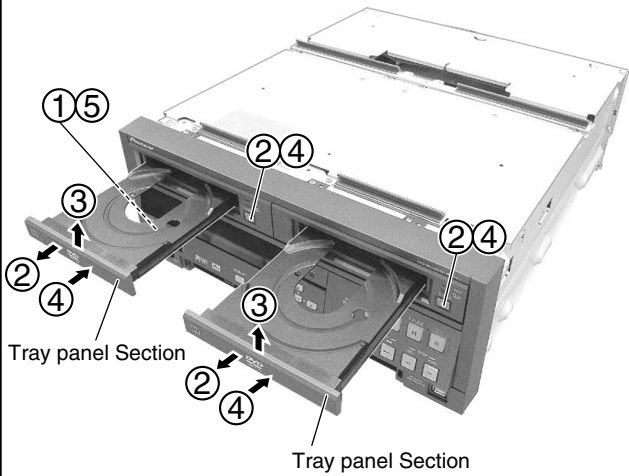
① Press the STANDBY/ON button to turn on the power.

② Press the two ▲ EJECT buttons to open the two trays.

③ Remove the two tray panel Section.

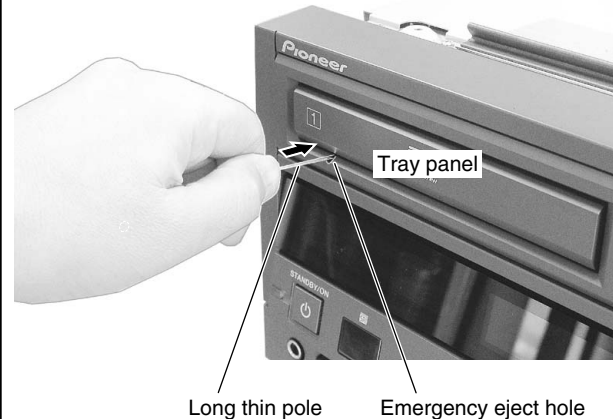
④ Press the two ▲ EJECT buttons to close the two trays.

⑤ Press the STANDBY/ON button to turn off the power.



• How to open the tray when the power cannot be on

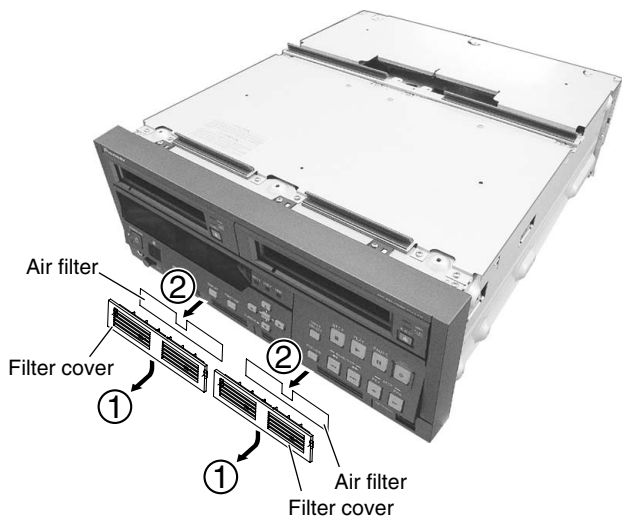
When the product cannot eject tray due to power failure or any other reasons, use a long thin pole and push the emergency eject hole under the tray panel to eject.



3 Front panel Section

- ① Remove the bonnet Assy. (See step 1)
- ② Remove the tray panel Section. (See step 2)

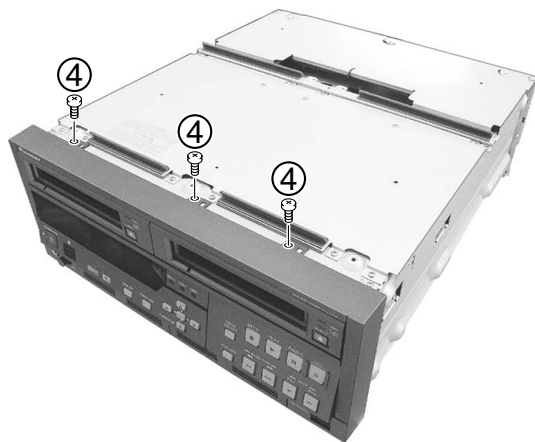
- ① Remove the two filter covers.
- ② Remove the two air filters.



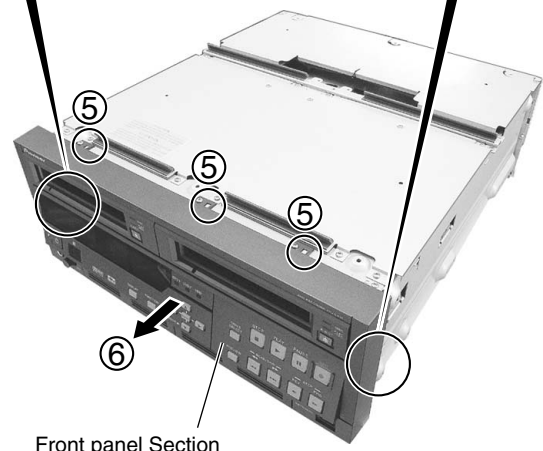
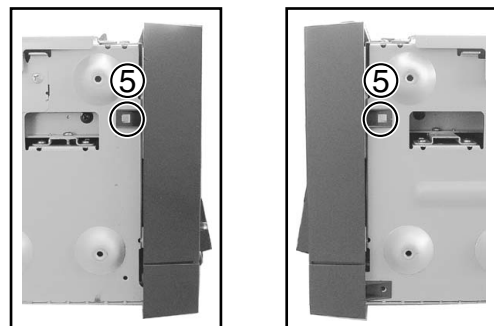
- ③ Remove the two screws.



- ④ Remove the three screws.

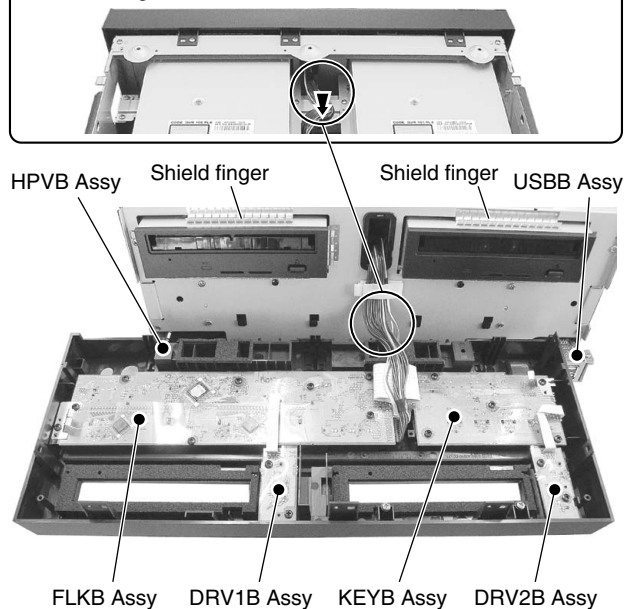


- ⑤ Unhook the five hooks.
- ⑥ Remove the front panel Section.



Note:

When reattaching the front panel Section to the main unit, pull the wires shown in the figure below in the direction of the arrow and adjust the length of the wires so as not to deform the shield finger.



A
B
C
D
E
F

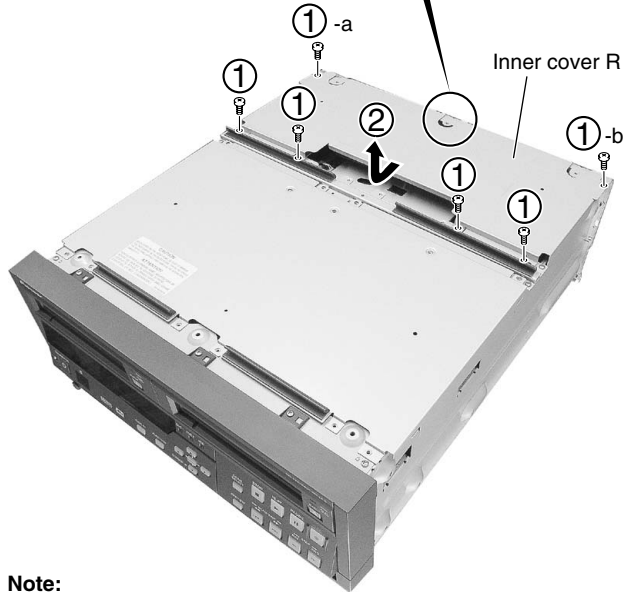
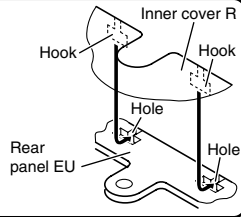
4 Inner cover F and Inner cover R

1 Remove the bonnet Assy. (See step 1)

- 1 Remove the six screws.
- 2 Remove the inner cover R.

Note:

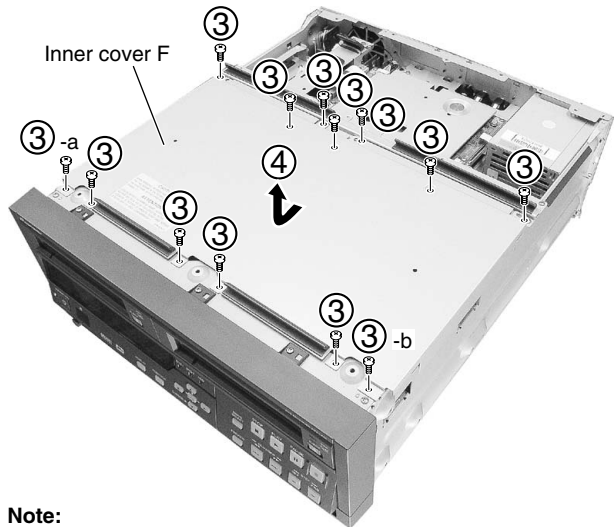
To remove the inner cover R, lift the front side of it about 30° then remove it so as not to deform the two hooks. When reattaching it, securely insert the two hooks into the two holes at the rear panel EU then slide the inner cover R about 2-3 mm toward the rear.



Note:

When attaching the inner cover R, tighten screws 1-a then 1-b, then tighten other screws.

- 3 Remove the thirteen screws.
- 4 Remove the inner cover F.



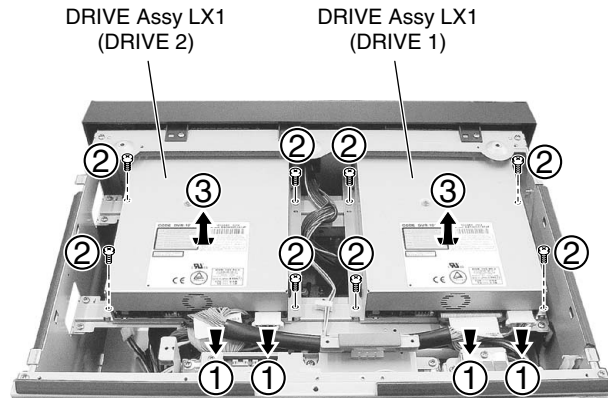
Note:

When attaching the inner cover F, tighten screws 3-a then 3-b, then tighten other screws.

5 DRIVE Assy LX1

- 1 Remove the bonnet Assy. (See step 1)
- 2 Remove the tray panel Section. (See step 2)
- 3 Remove the inner cover F. (See step 4)

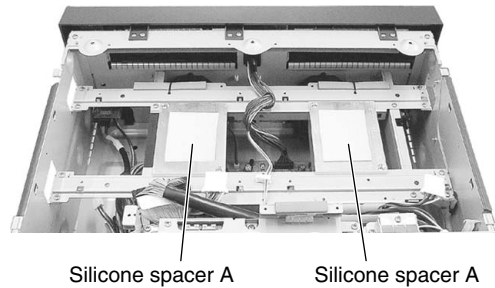
- 1 Disconnect the four connectors.
- 2 Remove the eight screws.
- 3 Remove the two DRIVE Assy LX1s.



• Rear view

Note:

When disassembling/reassembling DRIVE Assy LX1, make sure that silicone spacer A is not torn or damaged. If it is, replace with a new one.



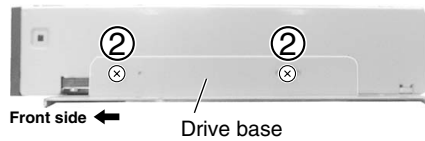
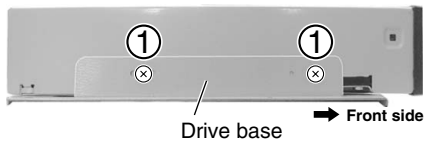
Silicone spacer A

Silicone spacer A

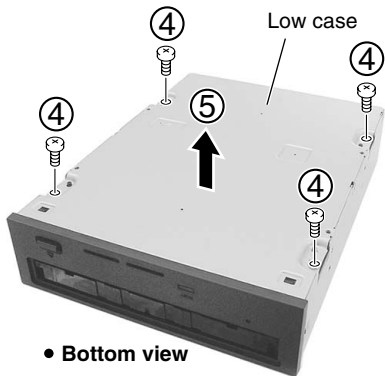
● **Cleaning the pickup lens**



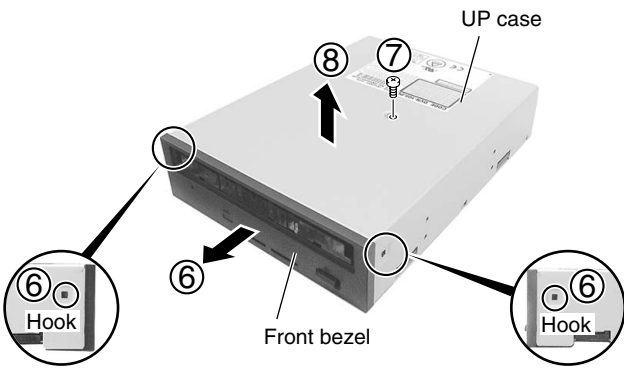
- ① Remove the two screws.
- ② Remove the two screws.
- ③ Remove the drive base.



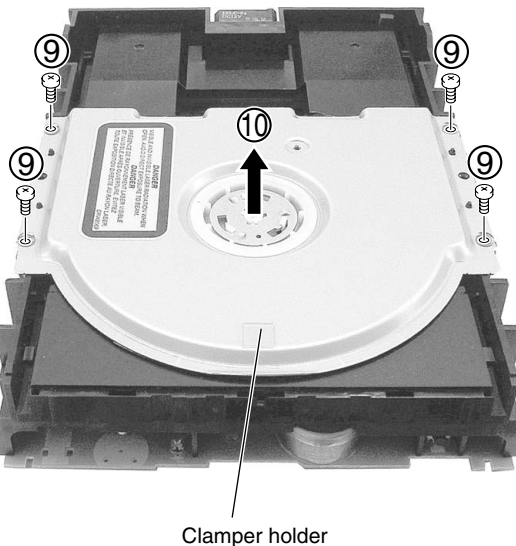
- ④ Remove the four screws.
- ⑤ Remove the low case.



- ⑥ Remove the front bezel by unhooking the two hooks.
- ⑦ Remove the one screw.
- ⑧ Remove the UP case.



- ⑨ Remove the four screws.
- ⑩ Remove the clamper holder.



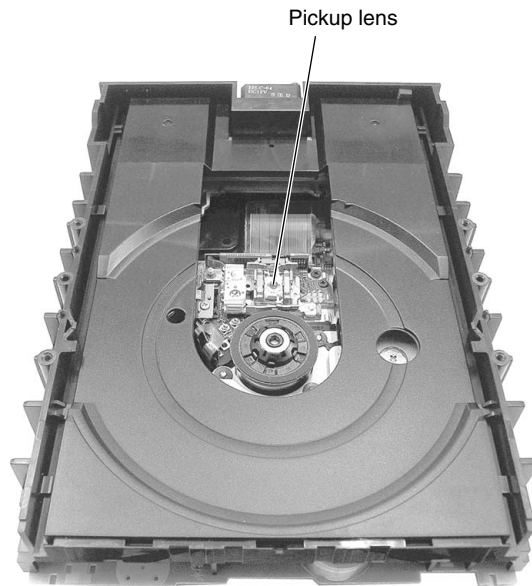
- ⑪ Clean the pickup lens.



Before shipment, be sure to clean the pickup lens, using the following cleaning materials:

- Cleaning liquid : GEM1004
- Cleaning paper : GED-008

Caution :
Do NOT look directly into the pickup lens. The laser beam may cause eye injury.

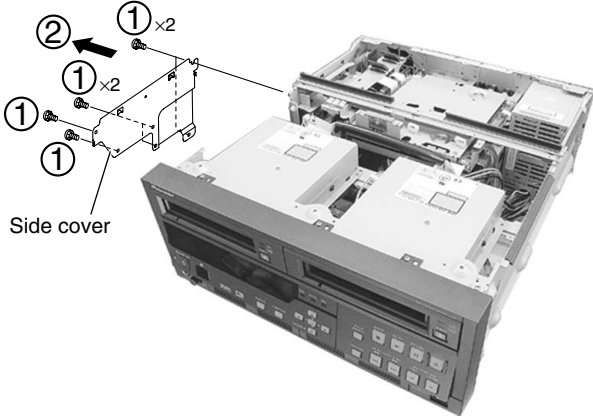


A
B
C
D
E
F

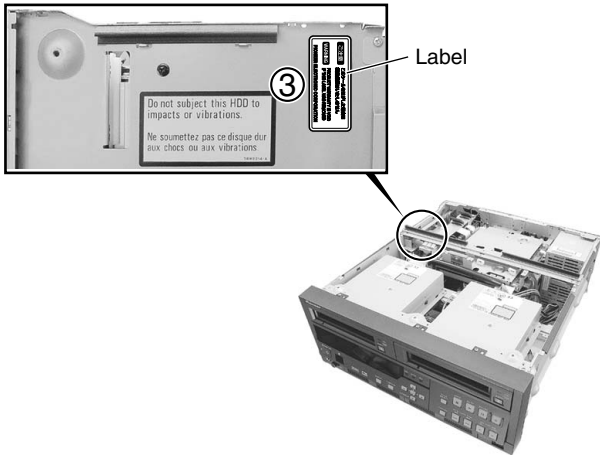
6 HDD Section

- ❶ Remove the bonnet Assy. (See step ❶)
- ❷ Remove the inner cover R. (See step ❷)

- ❶ Remove the six screws.
- ❷ Remove the side cover.



- ❸ Remove the label.

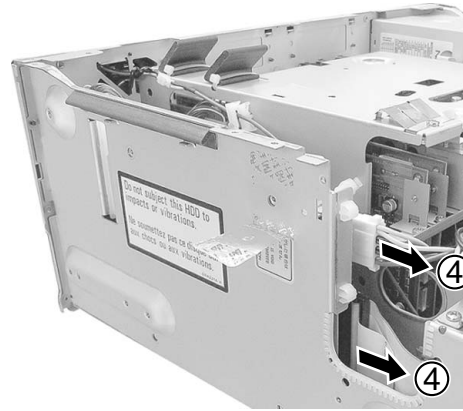


Note:

ご注意 このシールをはがした場合は製品保証はいたしません
WARNING PRODUCT WARRANTY IS VOID IF THIS LABEL WAS REMOVED
 PIONEER ELECTRONIC CORPORATION

When the HDD is removed, label and attach it to cover the hole for the screw.
 The label is a tamper-evident seal.
 The printing on the label stuck on the product is in black, but that on the label for service is in orange.

- ❹ Disconnect the two connectors.



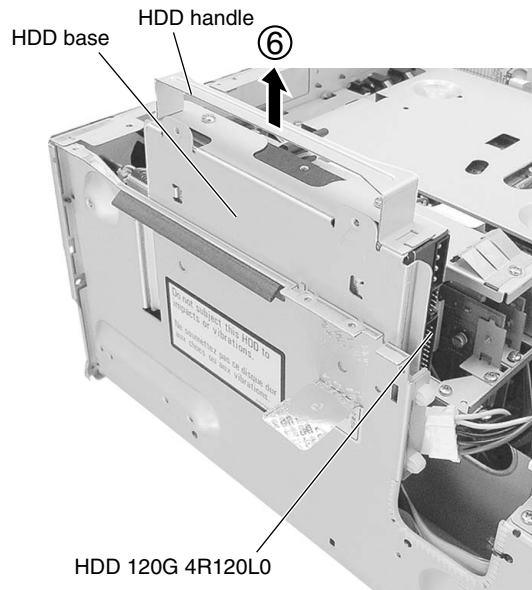
- ❺ Remove the four screws.



When attaching the HDD, tighten this screw first.

- ❻ Remove the HDD Section by pulling the HDD handle.

Note: When removing the HDD Section, be careful of the edges of the HDD base and HDD handle.

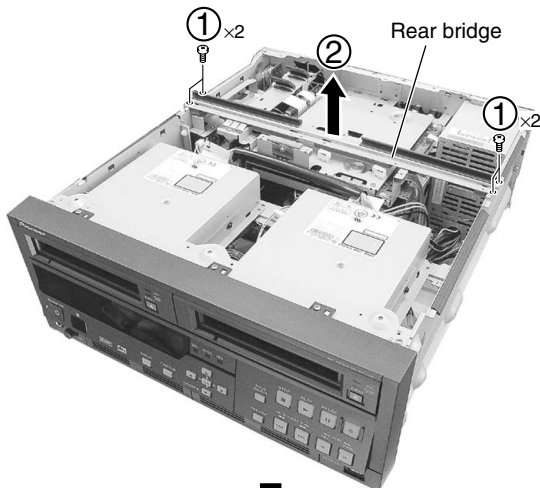


7 AVIB Assy to MOTHER BOARD Assy

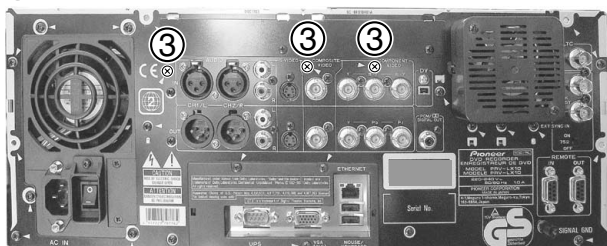
- ❶ Remove the bonnet Assy. (See step ❶)
- ❷ Remove the inner cover F and R. (See step ❷)

❶ AVIB Assy

- ❶ Remove the four screws.
- ❷ Remove the rear bridge.

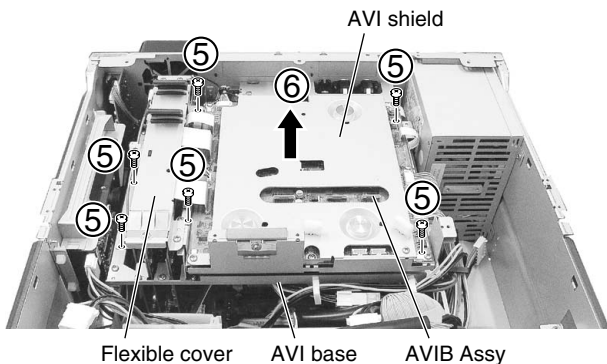


- ❸ Remove the three screws.



• Rear view

- ❹ Disconnect the some connectors at need.
- ❺ Remove the six screws.
- ❻ Remove the AVIB Assy with AVI shield, AVI base and flexible cover.

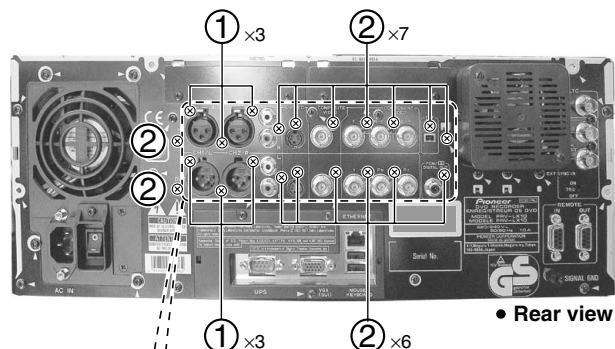


❷ JKIB Assy and JKOB Assy

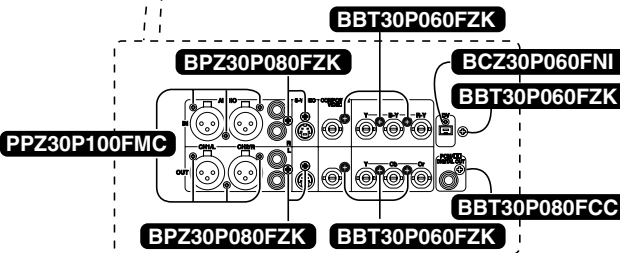
Note:

When replacing the JKIB and JKOB Assys, be sure to remove the 3P BNC earth plate and BNC earth plate from the old Assys and attach them to the new Assys.

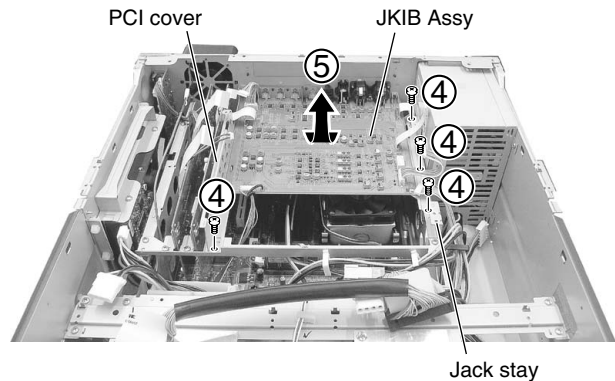
- ❶ Remove the six screws. (use with a medium-sized Phillips screwdriver.)
- ❷ Remove the fifteen screws.



• Rear view

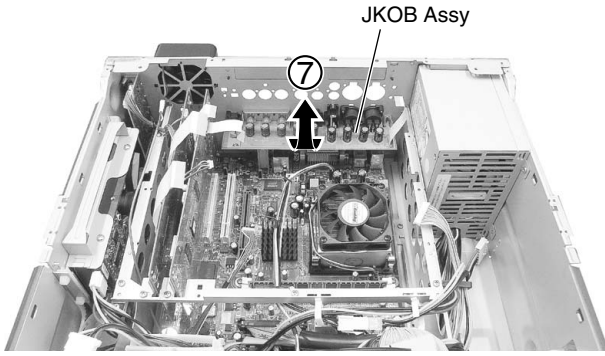


- ❸ Disconnect the some connectors at need.
- ❹ Remove the four screws.
- ❺ Remove the JKIB Assy with PCI cover and jack stay.



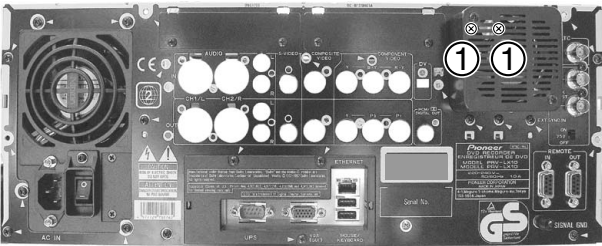
- ❻ Disconnect the some connectors at need.

7 Remove the JKOB Assy.



3 DECB Assy and PCIB Assy (PCI slot)

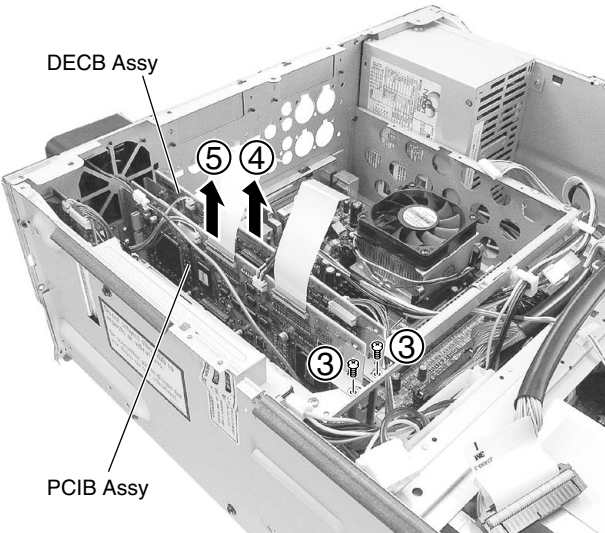
1 Remove the two screws.



• Rear view



- 2 Disconnect the some connectors at need.
- 3 Remove the two screws.
- 4 Pull out the DECB Assy from the PCI slot.
- 5 Pull out the PCIB Assy from the PCI slot.



Note 1:

- After removing the DECB and PCIB Assys, be careful not to touch the edges of the PCI card.
- If the edges of the PCI card are dirty, clean the edges by IPA before reassembling.
- Make sure that dust does not become attached within the PCI slot on the MOTHER BOARD Assy.

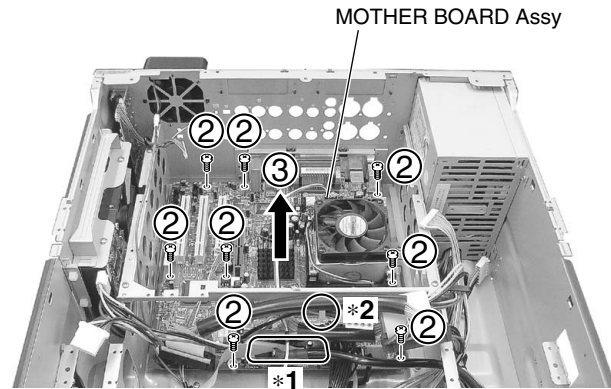
Note 2:

After replacing the DECB and PCIB Assys, or after replacing the built-in flash ROM, be sure to reinstall the application and update the firmware.



4 MOTHER BOARD Assy

- 1 Disconnect the some connectors at need.
- 2 Remove the eight screws.
- 3 Remove the MOTHER BOARD Assy.



Note *1:

Because the IDE cable (40 pins) is fragile, care must be taken not to damage the cable with the edges when removing the MOTHER BOARD Assy. (When dressing the IDE cable, bend the cable to 45 degrees at the joint of the connector and the cable.)

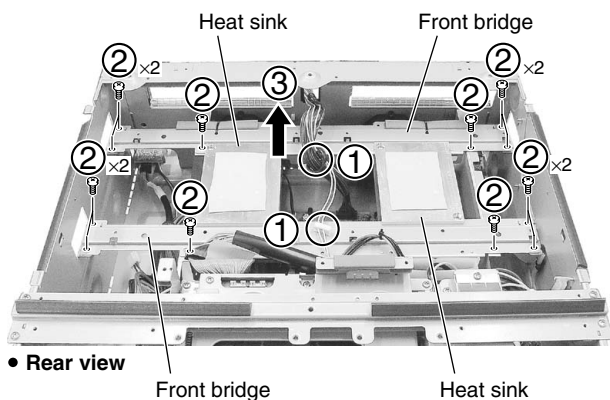
Note *2:

When attaching the Connector Assy 4P from the MOTHER BOARD Assy on the center stay with the holder, care must be taken so that nothing will touch the sharp edges of the center stay.

8 PWRB Assy

- ① Remove the bonnet Assy. (See step 1)
- ② Remove the tray panel Section. (See step 2)
- ③ Remove the inner cover F. (See step 4)
- ④ Remove the two DRIVE Assy LX1s. (See step 5)

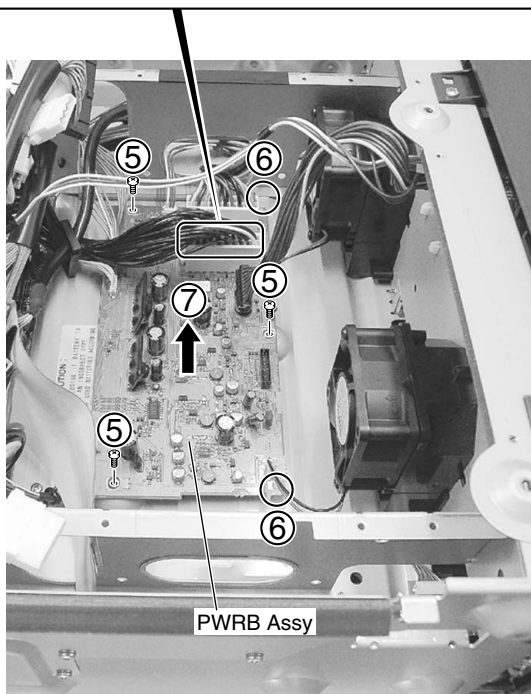
- ① Release the cord holder and the wire saddle.
- ② Remove the seventeen screws.
- ③ Remove the front bridge with the heat sink Section.



- ④ Disconnect the some connectors at need.
- ⑤ Remove the three screws.
- ⑥ Unhook the two card edge spacers.
- ⑦ Remove the PWRB Assy.

Note:

Be careful, because the connector Assy 20P is firmly attached.



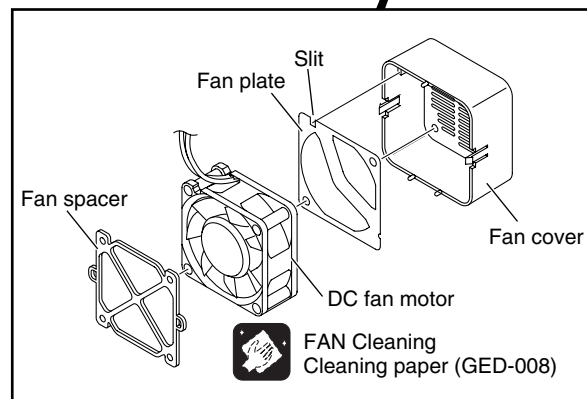
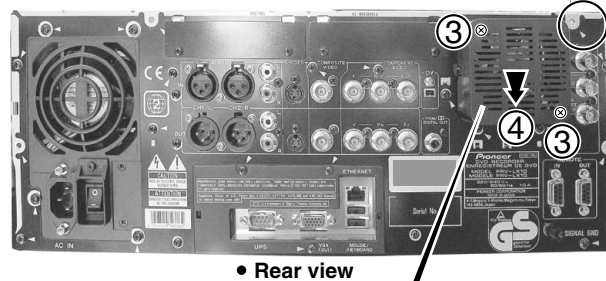
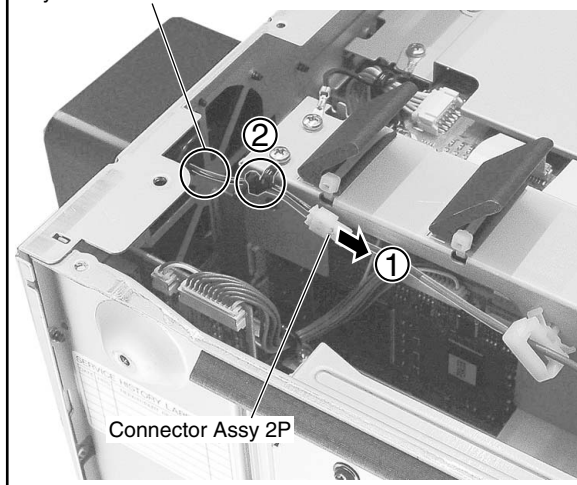
9 DC Fan motor (for rear Section)

- ① Remove the bonnet Assy. (See step 1)
- ② Remove the inner cover R. (See step 4)

- ① Disconnect the connector Assy 2P.
- ② Release the cord holder.
- ③ Remove the two screws. (Tighten torque : 0.65 N•m)
- ④ Remove the fan Section.

Note:

When reassembling, dress the wires from the fan so that they will not touch the fan.



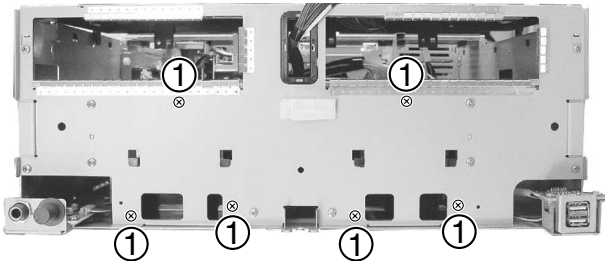
Note when replacing the DC fan motor:

Be careful handling the DC fan motor, because even a light shock to it may result in noise during operation.

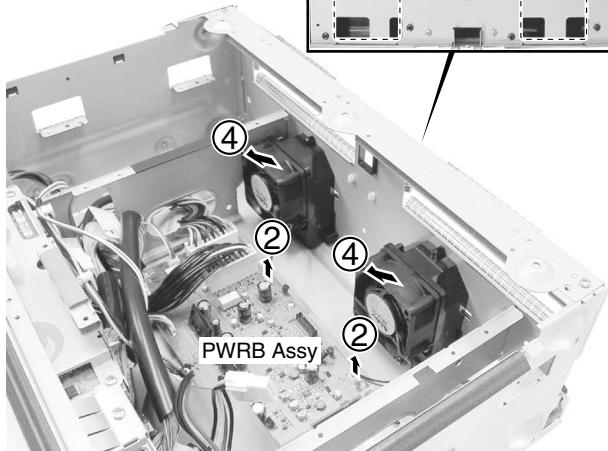
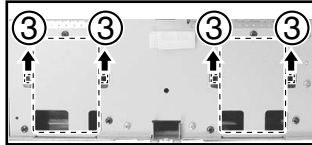
10 DC Fan motor (for front Section)

- 1 Remove the bonnet Assy. (See step 1)
- 2 Remove the tray panel Section. (See step 2)
- 3 Remove the front panel Section. (See step 3)
- 4 Remove the inner cover F. (See step 4)
- 5 Remove the two DRIVE Assy LX1s. (See step 5)
- 6 Remove the front bridge and heat sink Section. (See step 8)

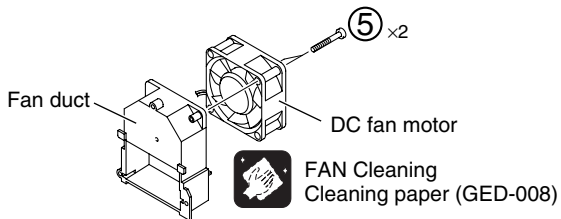
- 1 Remove the six screws.



- 2 Disconnect the two connectors.
- 3 Pull up the two fan Sections.
- 4 Remove the two fan Sections.



- 5 Remove the two screws.



Note when replacing the DC fan motor:
Be careful handling the DC fan motor, because even a light shock to it may result in noise during operation.

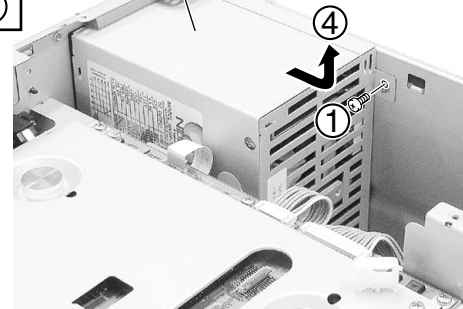
11 ATX Power supply Unit

- 1 Remove the bonnet Assy. (See step 1)
- 2 Remove the inner cover R. (See step 4)

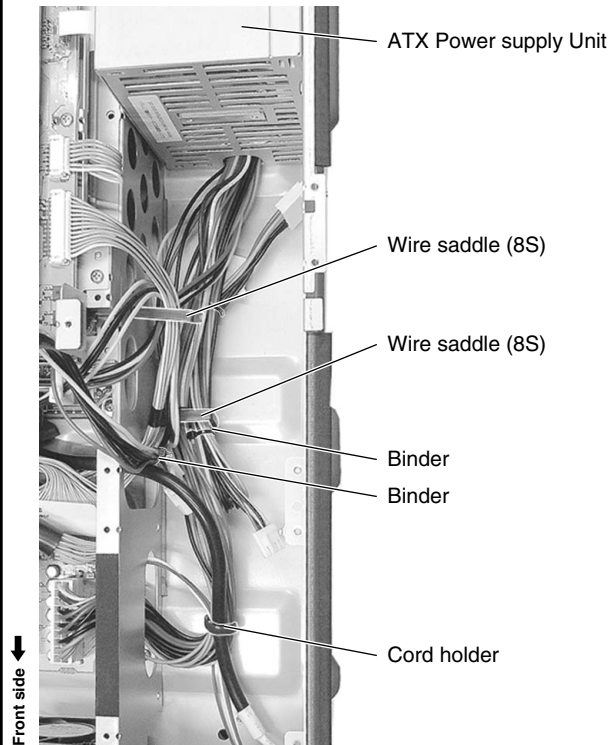
- 1 Remove the one screw.
- 2 Remove the four screws.
- 3 Disconnect the some connectors at need.
- 4 Remove the ATX Power supply Unit.



ATX Power supply Unit



Arrangement of the cables for the ATX Power supply Unit



How to replace the fan in the ATX Power Supply unit

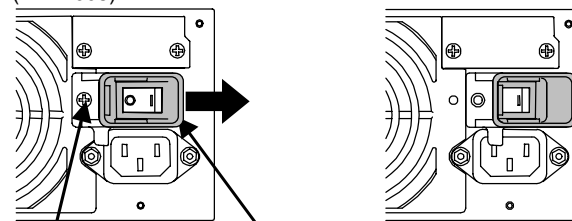
● Removing the fan

- Remove the switch-barrier fixing screw on the ATX Power Supply unit (DXF1005) then slide the switch barrier, as indicated in the figure.

Note:

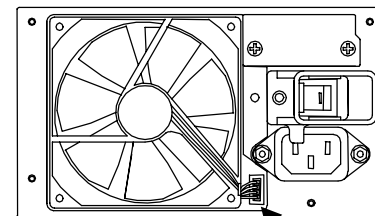
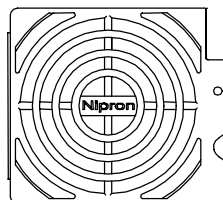
Be sure to set the POWER switch to OFF and disconnect the AC power cord from the AC outlet before starting this step.

ATX Power Supply Unit (DXF1005)



Switch-barrier fixing screw Switch barrier

- Remove the fan guard, then remove the fan and disconnect the harness from the fan connector.



Fan Cleaning
Cleaning paper : GED-008

Remove the fan.

Fan connector

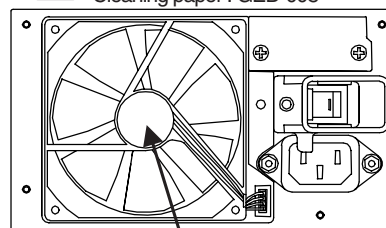
● Attaching the fan

- Connect the harness to the fan connector and install the fan into the panel. Push the harness inside.

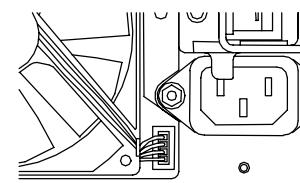
Notes:

- Place the fan so that the name plate of the fan can be seen from the front.
- Use the Fan Unit (DZM1001) dedicated to the ATX Power Supply unit (DXF1005).

Fan Cleaning
Cleaning paper : GED-008

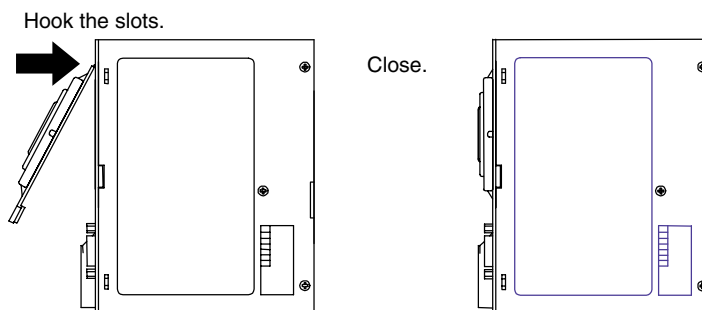


Name plate can be seen.

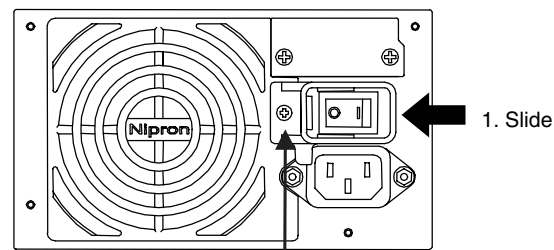


Push the harness inside so that it will not come out.

- Attach the fan guard.



- Slide the switch barrier and tighten the screw.



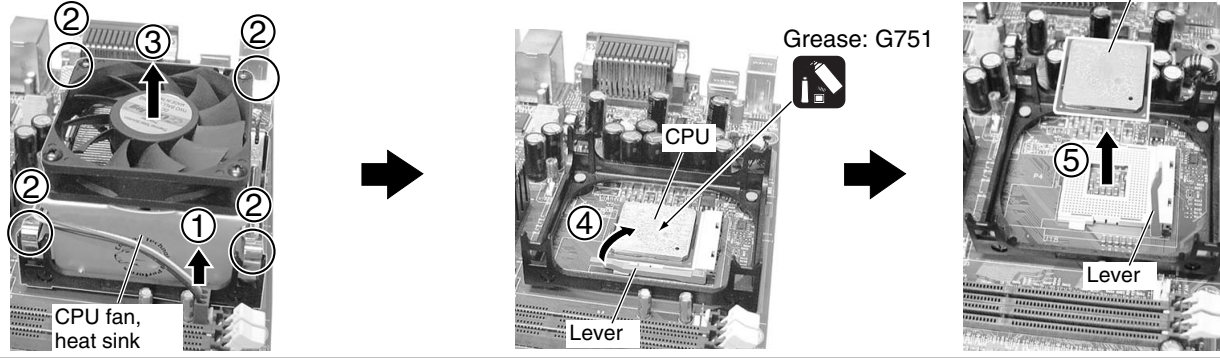
2. Tighten the screw.

About the parts on the MOTHER BOARD Assy

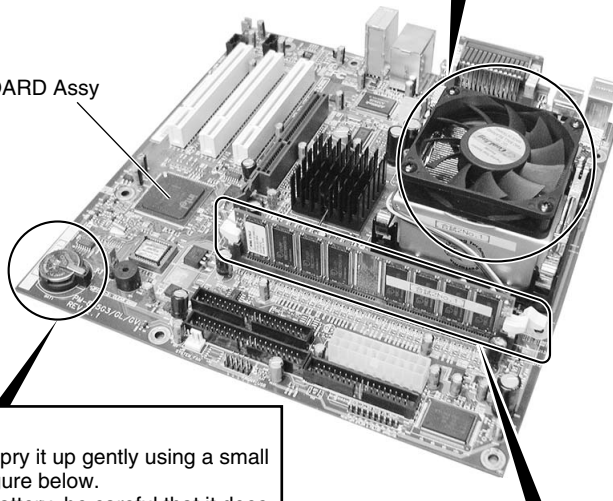
● On replacement of the CPU

Before reinstalling the CPU, apply the thermal compound, referring to "Notes on using the thermal compound," on the next page.

- ① Disconnect the cable from the connector.
- ② Unhook.
- ③ Remove the CPU fan and heat sink.
- ④ Lift upon the lever.
- ⑤ Remove the CPU.



MOTHER BOARD Assy



Fan Cleaning
Cleaning paper : GED-008

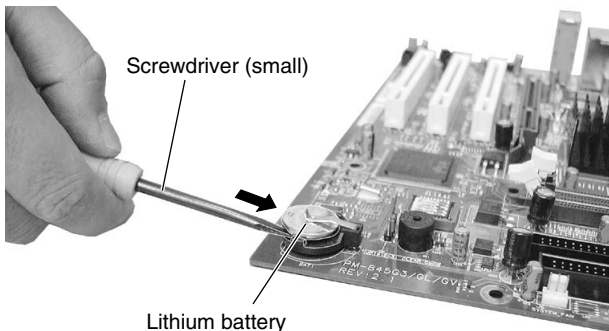
● On the lithium battery

When removing the lithium battery, pry it up gently using a small slot screwdriver, as shown in the figure below.

Note: When removing the lithium battery, be careful that it does not touch other parts.

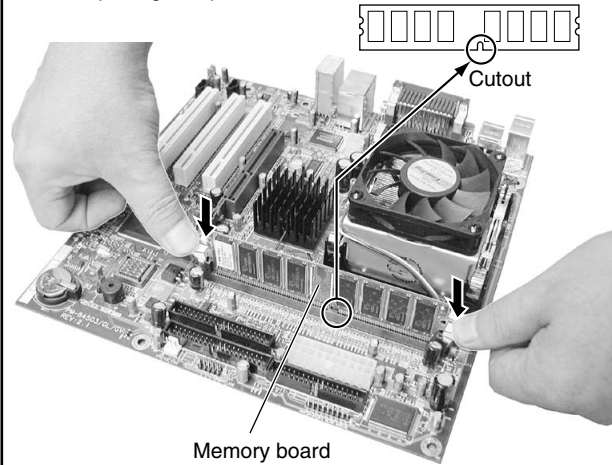
- Lithium battery: 3.0 V CR2032
- Panasonic: CR2032
- Sony: CR2032
- Toshiba: CR2032
- Maxell: CR2032

Note: Before reinstalling the lithium battery, check its voltage, because it may have become discharged. (The cutoff voltage for the lithium battery is defined to be 2.5 V.)

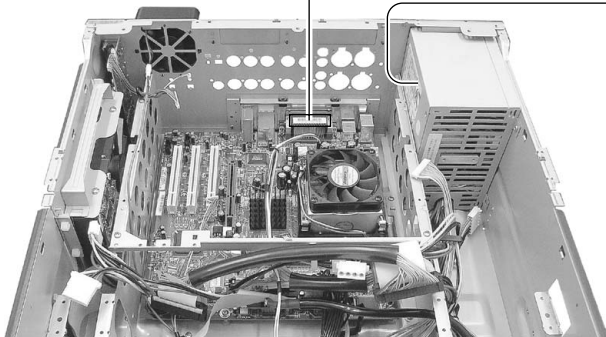
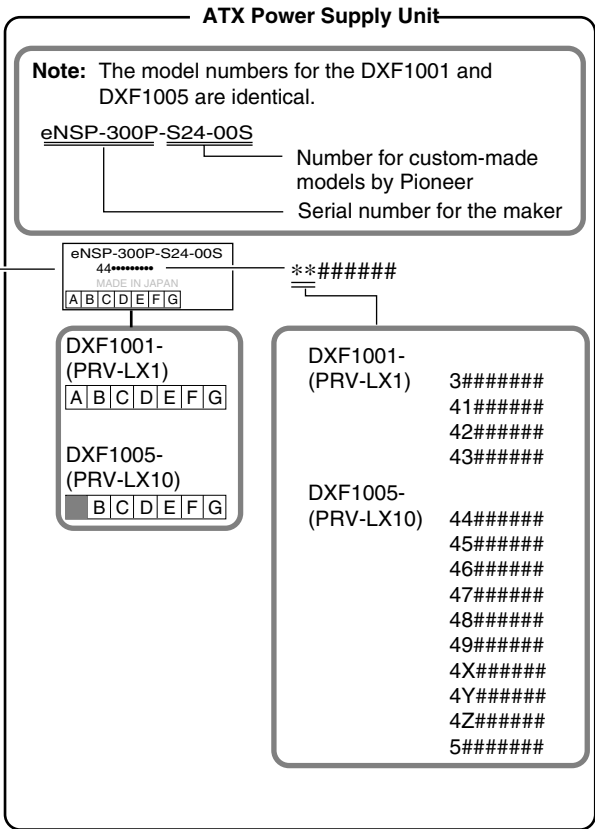
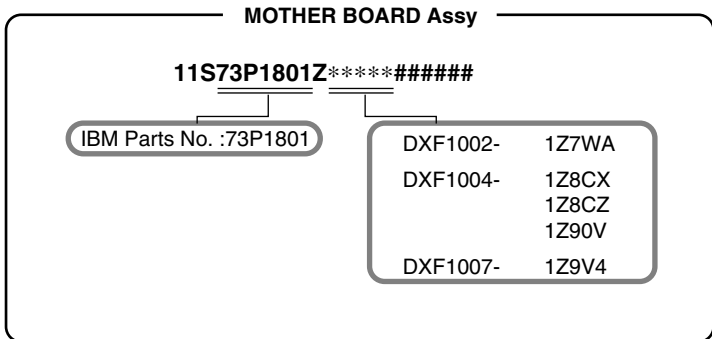


● On replacement and expansion of the memory board

To remove the memory board, unhook the hooks on the both sides by pressing on them. When reattaching, align the indentation at bottom center with the corresponding notch at the slot opening and push the board in.



How to identify the MOTHER BOARD Assy and the ATX Power Supply Unit



A
B
C
D
E
F

7.2 IC INFORMATION

• The information shown in the list is basic information and may not correspond exactly to that shown in the schematic diagrams.

● List of IC

PE5392B8, XC2S50-5PQ208C, HD6417709AF100B, XC2S100-5PQ208C, HD6417709AF100B, M65776AFP

■ PE5392B8 (FLKB(WYV/RB) ASSY : IC501)

• FL Microcomputer

● Pin Function

No.	Pin Name	I/O	Pin Function
1	SETUP2	I	Destination setting S1
2	OEM	I	Not used (default H)
3	AN17	-	Not used
4	AVSS	-	GND
5	DRV1_OPCL	I	Disc eject signal of DRIVE1 High: when S631 is pressed, Low: normally
6	DRV2_OPCL	I	Disc eject signal of DRIVE2 High: when S631 is pressed, Low: normally
7	AVREF1	I	AVref 5V
8	PCRXD	I	Receive a signal from the Mother Board
9	PCTXD	O	Transmit a signal to the Mother Board
10	P72	-	Not used
11	FD1SI	I	Not used (Data receiving from the FL driver (IC502))
12	FD1SO	O	Data transmission to the FL driver (IC502)
13	FD1SCK	O	Clock output to the FL driver (IC502)
14	FD1STB	O	Strobe output to the FL driver (IC502)
15	FD2STB	O	Strobe output to the FL driver (IC503)
16	FD2SI	I	Not used (Data receiving from the FL driver (IC503))
17	FD2SO	O	Data transmission to the FL driver (IC503)
18	FD2SCK	O	Clock output to the FL driver (IC503)
19	PS_ON_I#	I	Capture of a PS_ON signal from the Mother Board
20	PWR_OK_I	I	Capture of a PWR_OK signal from the ATX PSU
21	CHECKER	I	Assy check mode L: Assy check mode, H: Normal mode
22	AUTO_PON	I	Automatic start setting at AC ON H: Start at AC ON, L: STB at AC ON
23	FAN_DET	I	Not used (FAN detection)
24	P45	-	Not used
25	P46	-	Not used
26	P47	-	Not used
27	SIOT	I	Not used (Data I/O for temperature sensor)
28	SCT	O	Not used (Clock output for temperature sensor)
29	CST	O	Not used (Chip select for temperature sensor)
30	K_PREVIEW	I	PREVIEW key H: Normally, L: PUSH
31	K_PLAY	I	PLAY key H: Normally, L: PUSH
32	K_REC	I	REC key H: Normally, L: PUSH
33	VSS1	-	Vss1
34	K_PAUSE	I	PAUSE key H: Normally, L: PUSH
35	K_STOP	I	STOP key H: Normally, L: PUSH
36	K_DRV_SEL	I	DRIVE SELECT key H: Normally, L: PUSH
37	LD_PLAY	O	PLAY LED control H: Normally (Extinguish), L: Light
38	DRV1_DISC	O	Disc existence of DRIVE1 H: No DISC (Extinguish), L: DISC exists (Light)
39	LD_PAUSE	O	PAUSE LED control H: Normally (Extinguish), L: Light
40	DRV2_LD_ACCESS (GREEN)	O	Access LED (GREEN) control of DRIVE2 H: Normally (Extinguish), L: Light

No.	Pin Name	I/O	Pin Function
41	LD_SB	O	STANDBY/ON LED control H: Normally (Extinguish), L: Light
42	LD_ON	O	STANDBY/ON LED control H: Normally (Extinguish), L: Light
43	LD_REC	O	REC LED control H: Normally (Extinguish), L: Light
44	SIF	I	SIF (for flash writing)
45	SOF	O	SOF (for flash writing)
46	CKF	I	CKF (for flash writing)
47	LD_DRV1	O	DRIVE 1 LED control of drive select LED H: Normally (Extinguish), L: Light
48	LD_DRV2	O	DRIVE 2 LED control of drive select LED H: Normally (Extinguish), L: Light
49	LD_HDD	O	HDD LED control of drive select LED H: Normally (Extinguish), L: Light
50	DRV1_LD_ACCESS (GREEN)	O	Access LED (GREEN) control of DRIVE 1 H: Normally (Extinguish), L: Light
51	DRV1_LD_ACCESS (RED)	O	Access LED (RED) control of DRIVE 1 H: Normally (Extinguish), L: Light
52	LD_STOP	O	STOP LED control H: Normally (Extinguish), L: Light
53	DRV2_DISC	O	Disc existence of DRIVE 2: No DISC (Extinguish), L: DISC exists (Light)
54	DRV2_LD_ACCESS (RED)	O	Access LED (RED) control of DRIVE 2 H: Normally (Extinguish), L: Light
55	PON	I	STANDBY/ON key (S509) check H: PUSH, L: Normally
56	RSTBTN	I	Not used
57	PS_ON_O#	O	Output the PS_ON signal which received from the Mother Board to the ATX power
58	PWR_SW#	O	Output a relay control signal for supply +5VSB to the Mother Board
59	RESET#	O	Reset output H: Normally, L: Reset
60	XRESET	I	For flash writing
61	IRIN	I	Remote control signal receive
62	FAN_CONT1	O	FAN control for the rear
63	FAN_CONT2	O	FAN control for the DRIVE 1
64	FAN_CONT3	O	FAN control for the DRIVE 2
65	PWR_SW2#	O	Power SW signal to the Mother Board H: Normally, L: PUSH
66	P05/INTP5	-	Not used
67	VSS0	-	Not used
68	VDD1	-	Power supply 5V
69	X2	-	Crystal connection pin for clock oscillation
70	X1	I	Crystal connection pin for clock oscillation (input)
71	VPP	-	Vpp (for flash writing)
72	XT2	-	Not used
73	XT1/P07	-	Not used
74	VDD0	I	Power supply 5V
75	AVREF0	I	AVref0 5V
76	UP,DOWN,LEFT,RIGHT	I	Analog input UP: 4.25V, DOWN: 2.8V, LEFT: 1.24V, RIGHT: 0V
77	REGION	I	Destination setting R
78	K_SCAN_STEP	I	Analog input SCAN/SKIP_FWD: 4.25V, SCAN/SKIP_REV: 2.8V, STEP_FWD: 1.24V, STEP_REV: 0V
79	ENTER,SETUP,DISPLAY	I	Analog input ENTER: 4.25V, FUNCTION: 2.8V, DISPLAY: 1.24V
80	SIMUKE1	I	Destination setting S0

XC2S50-5PQ208C (AVIB ASSY : IC5004)

• LTC Switch FPGA

● Pin Function

No.	Pin Name	I/O	Pin Function	No.	Pin Name	I/O	Pin Function
1	GNDDI	–	GND	46	DVREQ	I	DV control signal
2	TMS	–	TEST Pin	47	DVACK	O	DV control signal
3	27MWMK	O	27MHz clock for WMIC	48	DVFRM	I	DV control signal
4	LTC IN	I	Time code input	49	WAITDVX	I	DVXcel wait signal
5	B/XS	O	Component level switch "L"=BETA, "H"=SMPTE	50	M1	I	Mode setting (pull-up)
6	RESERVE	–	Resereved	51	GNDDI	–	GND
7	THSW	O	AV through output switch "L"=Non, "H"=THROU	52	M0	I	Mode setting (ground)
8	SCL	O	For I2C communication (not used)	53	V+3_3I	–	+3.3V
9	SDA	O	For I2C communication (not used)	54	M2	I	Mode setting (pull-up)
10	VSEL1	O	Input video switching signal "L"=CVBS, "H"=S	55	N.C.	–	Not used
11	GNDDI	–	GND	56	N.C.	–	Not used
12	V+3_3I	–	+3.3V	57	TBCLK	O	Clock for DVXcel
13	V+2_5I	–	+2.5V	58	SDICKSEL	O	Clock selection at SDI input at SDI select: H
14	VSEL2	O	Input video switching signal "L"=CV/S, "H"=TCbCr	59	DVCSEL	I	PLL gain switch of DV input at DV input: L
15	G_ADD7	I	George656 video data	60	DVOEN	I	DV control signal
16	G_ADD6	I	George656 video data	61	XWAITV	O	DV control signal
17	G_ADD5	I	George656 video data	62	WAITDVSH	O	DV control signal
18	G_ADD4	I	George656 video data	63	LXRD	I	Host bus read signal
19	GNDDI	–	GND	64	GNDDI	–	GND
20	G_ADD3	I	George656 video data	65	V+3_3I	–	+3.3V
21	G_ADD2	I	George656 video data	66	V+2_5I	–	2.5V
22	G_ADD1	I	George656 video data	67	SEL27M	O	Not used
23	G_ADD0	I	George656 video data	68	AV1_LRCK	I	Decoder audio LR clock
24	G_NONSI	I	Nonstandard 656 flag	69	AV1_BCK	I	Decoder audio clock
25	GNDDI	–	GND	70	AV1_DAI	I	Decoder audio data
26	V+3_3I	–	+3.3V	71	SDI_CHSEL	O	SDI audio switch "L"=Ch3/4, "H"=Ch1/2
27	XSELXLR	O	Audio input switching signal "L"=RCA, "H"=XLR	72	GNDDI	–	GND
28	V+2_5I	–	+2.5V	73	AES_ERROR	I	Error signal of AES/EBU signal "L"= Error exists, "H"= no error
29	ADATI	I	ADC data	74	SDI_RST	I	System reset signal to DINB
30	BCKI	I	ADC block clock	75	SDI_LOCK	I	Lock ok signal to SDI audio "L"= Unlock, "H"= Lock
31	LRCKI	I	ADC LR clock	76	V+2_5I	–	+2.5V
32	GNDDI	–	GND	77	36MFPGA	I	36.864MHz clock for audio
33	FDATI	O	Multiplex audio data	78	V+3_3I	–	+3.3V
34	FBCKI	O	Multiplex audio clock	79	GNDDI	–	GND
35	FLRCKI	O	Multiplex audio LR clock	80	40MPLD	I	40MHz clock for configuration
36	RESERVE	–	Reserved	81	AV1_D7	I	Decoder 656 video data
37	MCIF_ACKZ	I	DV acknowledge signal	82	AV1_D6	I	Decoder 656 video data
38	V+2_5I	–	+2.5V	83	AV1_D5	I	Decoder 656 video data
39	V+3_3I	–	+3.3V	84	AV1_D4	–	Decoder 656 video data
40	GNDDI	–	GND	85	GNDDI	–	GND
41	MCIF_STRBZ	O	DV strobe signal	86	AV1_D3	I	Decoder 656 video data
42	GPIO3_WM0	I	DV control signal	87	AV1_D2	–	Decoder 656 video data
43	HSDIA_AV	I	DV control signal	88	AV1_D1	I	Decoder 656 video data
44	HSDIA_EN	O	DV control signal	89	AV1_D0	–	Decoder 656 video data
45	HSDIA_CLK	O	Clock for DV (LINK) IC	90	PCC1	I	Copy protection existence flag "H" = Copy protection exists

No.	Pin Name	I/O	Pin Function	No.	Pin Name	I/O	Pin Function
91	V+2_5I	–	+2.5V	136	SDO_LRCK	O	Audio LR clock for SDIOUT
92	V+3_3I	–	+3.3V	137	GNDDI	–	GND
93	GNDDI	–	GND	138	SDI_D0	I	656 video data for SDIIN
94	27MSDO	O	27kHz clock for SDI OUT	139	SDI_D1	I	656 video data for SDIIN
95	L_A0	I	Host address bus	140	LXWE0	I	Host bus read signal
96	L_A1	I	Host address bus	141	SDI_DAI	I	Audio data for SDIIN
97	L_A2	I	Host address bus	142	L_D2	I/O	CPU Data/configuration Data
98	L_A3	I	Host address bus	143	V+2_5I	–	+2.5V
99	L_A4	I	Host address bus	144	V+3_3I	–	+3.3V
100	L_A5	I	Host address bus	145	GNDI	–	GND
101	L_A6	I	Host address bus	146	L_D1	I/O	CPU Data/configuration Data
102	L_A7	I	Host address bus	147	SDI_D2	I	656 video data for SDIIN
103	GNDDI	–	GND	148	SDI_D3	I	656 video data for SDIIN
104	DONE	I	for configuration	149	SDI_D4	I	656 video data for SDIIN
105	V+3_3I	–	+3.3V	150	SDI_D5	I	656 video data for SDIIN
106	XPROGRAM	I	for configuration	151	SDI_D6	I	656 video data for SDIIN
107	XINT	I	for configuration	152	SDI_D7	I	656 video data for SDIIN
108	L_D0	I/O	CPU Data/configuration Data	153	L_D0	I/O	CPU Data/configuration Data
109	APLILIA_DATA	I	Audio data of APLILIA output	154	ENC OK	O	LED port for operation check
110	APLILIA_BCK	I	Audio clock of APLILIA output	155	CCLK	I	for configuration
111	APLILIA_LRCK	I	Audio clock of APLILIA output	156	V+3_3I	–	+3.3V
112	AES_VALID	I	SDI N/PAL distinction signal "L"=PAL, "H"=NTSC	157	TDO	–	Not used
113	SDI_VALID	I	Valid signal of SDI signal "L"= invalid "H"= valid	158	GNDDI	–	GND
114	DINB_EXIST	I	DINB mounting existence signal "L"= nothing, "H" = exists	159	TDI	–	Not used
115	L_D6	I/O	CPU Data/configuration Data	160	LXCS40	I	Chip select from the host
116	GNDDI	–	GND	161	LXCS40	I	Chip select from the host
117	V+3_3I	–	+3.3V	162	LXCS56	I	Chip select from the host
118	V+2_5I	–	+2.5V	163	SDI_BCK	I	Audio clock for SDIIN
119	L_D5	I/O	CPU Data/configuration Data	164	SDI_LRCK	I	Audio LR clock for SDIIN
120	SDO_D0	O	656 video data for SDIOUT	165	AESI_LRCK	I	AES/EBU audio LR clock input
121	SDO_D1	O	656 video data for SDIOUT	166	AESI_BCK	I	AES/EBU audio clock input
122	SDO_D2	O	656 video data for SDIOUT	167	AESI_DAI	I	AES/EBU audio data input
123	SDO_D3	O	656 video data for SDIOUT	168	F_ADD0	O	656 video data to VAIKILT
124	GNDDI	–	GND	169	GNDDI	–	GND
125	SDO_D4	O	656 video data for SDIOUT	170	V+3_3I	–	+3.3V
126	L_D4	I/O	CPU Data/configuration Data	171	V+2_5I	–	+2.5V
127	SDO_D5	O	656 video data for SDIOUT	172	F_ADD1	O	656 video data to VAIKILT
128	V+2_5I	–	+2.5V	173	F_ADD2	O	656 video data to VAIKILT
129	SDO_D6	O	656 video data for SDIOUT	174	F_ADD3	O	656 video data to VAIKILT
130	V+3_3I	–	+3.3V	175	F_ADD4	O	656 video data to VAIKILT
131	GNDDI	–	GND	176	F_ADD5	O	656 video data to VAIKILT
132	SDO_D7	O	656 video data for SDIOUT	177	GNDDI	–	GND
133	SDO_DAI	O	Audio data for SDIOUT	178	F_ADD6	O	656 video data to VAIKILT
134	SDO_BCK	O	Audio clock for SDIOUT	179	F_ADD7	O	656 video data to VAIKILT
135	L_D3	I/O	CPU Data/configuration Data	180	F_NONSI	O	Nonstandard 656 flag to VAIKILT

A

No.	Pin Name	I/O	Pin Function	No.	Pin Name	I/O	Pin Function
181	SDO_ENA	O	Digital output switching signal	195	DV_VAIKILTD7	I	656 video data of VAIKILT output
182	27MFPGA	I	27MHz clock for FPGA	196	V+2_5I	-	+2.5V
183	GNDDI	-	GND	197	V+3_3I	-	+3.3V
184	V+3_3I	-	+3.3V	198	GNDDI	-	GND
185	27MDEC	I	27MHz clock of AV1 output	199	WMKD0	O	656 video data for water mark
186	V+2_5I	-	+2.5V	200	WMKD1	O	656 video data for water mark
187	DV_VAIKILTD0	I	656 video data of VAIKILT output	201	WMKD2	O	656 video data for water mark
188	DV_VAIKILTD1	I	656 video data of VAIKILT output	202	WMKD3	O	656 video data for water mark
189	DV_VAIKILTD2	I	656 video data of VAIKILT output	203	WMKD4	O	656 video data for water mark (LED port for operation check)
190	GNDDI	-	GND	204	WMKD5	O	656 video data for water mark (LED port for operation check)
191	DV_VAIKILTD3	I	656 video data of VAIKILT output	205	WMKD6	O	656 video data for water mark (LED port for operation check)
192	DV_VAIKILTD4	I	656 video data of VAIKILT output	206	WMKD7	O	656 video data for water mark (LED port for operation check)
193	DV_VAIKILTD5	I	656 video data of VAIKILT output	207	TCK	-	Not used
194	DV_VAIKILTD6	I	656 video data of VAIKILT output	208	GNDI	-	Connect to +3.3V

B

C

D

E

F

■ HD6417709AF100B (PCIB ASSY : IC2405)

• MPU IC

● Pin Function

No.	Pin Name	I/O	Pin Function	No.	Pin Name	I/O	Pin Function
1	MD1	I	CLK mode setting fixed to H	46	D5	I/O	Data bus
2	MD2	I	CLK mode setting fixed to H	47	VccQ	–	Core power supply (1.8V)
3	Vcc-RTC	–	Power supply for RTC (1.8V)	48	D4	I/O	Data bus
4	XTAL2	O	RTC output (32.768 kHz)	49	D3	I/O	Data bus
5	EXTAL2	I	RTC input (32.768 kHz)	50	D2	I/O	Data bus
6	Vss-RTC	–	Ground	51	D1	I/O	Data bus
7	NMI	I	NMI interruption (not used)	52	D0	I/O	Data bus
8	IREQ0	I	Not used	53	A0	O	Address bus
9	IREQ1	I	Not used	54	A1	O	Address bus
10	IREQ2	I	DVXCel interruption (L: active)	55	A2	O	Address bus
11	IREQ3	I	Audery (L: active)	56	A3	O	Address bus
12	IREQ4	I	Pcif (Xilinx) interruption (L: active)	57	VssQ	–	Ground
13	D31	I/O	Data bus	58	A4	O	Address bus
14	D30	I/O	Data bus	59	VccQ	–	Core power supply (1.8V)
15	D29	I/O	Data bus	60	A5	O	Address bus
16	D28	I/O	Data bus	61	A6	O	Address bus
17	D27	I/O	Data bus	62	A7	O	Address bus
18	D26	I/O	Data bus	63	A8	O	Address bus
19	VssQ	–	Ground	64	A9	O	Address bus
20	D25	I/O	Data bus	65	A10	O	Address bus
21	VccQ	–	Core power supply (1.8V)	66	A11	O	Address bus
22	D24	I/O	Data bus	67	A12	O	Address bus
23	D23	I/O	Data bus	68	A13	O	Address bus
24	D22	I/O	Data bus	69	VssQ	–	Ground
25	D21	I/O	Data bus	70	A14	O	Address bus
26	D20	I/O	Data bus	71	VccQ	–	Core power supply (1.8V)
27	Vss	–	Ground	72	A15	O	Address bus
28	D19	I/O	Data bus	73	A16	O	Address bus
29	Vcc	–	I/O power supply (3.3V)	74	A17	O	Address bus
30	D18	I/O	Data bus	75	A18	O	Address bus
31	D17	I/O	Data bus	76	A19	O	Address bus
32	D16	I/O	Data bus	77	A20	O	Address bus
33	VssQ	–	Ground	78	A21	O	Address bus
34	D15	I/O	Data bus	79	Vss	–	Ground
35	VccQ	–	Core power supply (1.8V)	80	A20	O	Address bus
36	D14	I/O	Data bus	81	Vcc	–	I/O power supply (3.3V)
37	D13	I/O	Data bus	82	A23	O	Address bus
38	D12	I/O	Data bus	83	VssQ	–	Ground
39	D11	I/O	Data bus	84	A24	O	Address bus
40	D10	I/O	Data bus	85	VccQ	–	Core power supply (1.8V)
41	D9	I/O	Data bus	86	A25	O	Address bus
42	D8	I/O	Data bus	87	BS	O	Starts bus cycle
43	D7	I/O	Data bus	88	RD	O	Read strobe
44	D6	I/O	Data bus	89	WE0	O	Write strobe
45	VssQ	–	Ground	90	WE1	O	Write strobe

No.	Pin Name	I/O	Pin Function	No.	Pin Name	I/O	Pin Function
91	WE2	O	Write strobe	136	TRST	I	For debugging
92	WE3	O	Write strobe	137	TMS	I	For debugging
93	RDWR	O	Read / Write	138	TDI	I	For debugging
94	AUDSYNC	O	For debugging	139	TCK	I	For debugging
95	VssQ	-	Ground	140	INTB	I	Slalom interruption (L: active)
96	CS0	O	Chip select 0	141	INTA	I	Not used
97	VccQ	-	Core power supply (1.8V)	142	INT9	I	Not used
98	CS2	O	Chip select 2	143	INT8	I	Slalom interruption (L: active)
99	CS3	O	Chip select 3	144	MD0	I	CLK mode setting fixed to H
100	CS4	O	Chip select 4	145	Vcc-PLL1	-	Power supply for PLL (1.8V)
101	CS5	O	Chip select 5	146	CAP1	-	Capacitor pin for PLL
102	CS6	O	Chip select 6	147	Vss-PLL1	-	Ground
103	DVOEN	O	DV REQ MASK	148	Vss-PLL2	-	Ground
104	XRSTAU	O	Reset for Audery	149	CAP2	-	Capacitor pin for PLL
105	CKE	O	CKE for SDRAM	150	Vcc-PLL2	-	Power supply for PLL (1.8V)
106	RAS3	O	RAS for SDRAM	151	AUDC	O	For debugging
107	N.C.	-	Not used	152	Vss	-	Ground
108	CASL	O	CAS for SDRAM	153	Vss	-	Ground
109	VssQ	-	Ground	154	Vcc	-	I/O power supply (3.3V)
110	XPHRST	O	Reset for 1394PHY	155	XTAL	O	CPU clock
111	VccQ	-	Core power supply (1.8V)	156	EXTAL	I	CPU clock
112	WMRST	O	Not used	157	DVCSEL	O	Control the output signal to LTC_SW (Xilinx) Dvexcel or ceLynx
113	LXPROGRAM	O	LTC_SW (Xilinx) configuration program signal	158	N.C.	-	Not used
114	DAC0	O	Slalom DMA ACK	159	N.C.	-	Not used
115	DAC1	O	Pcif(Xilinx)DMA ACK	160	IRQOUT	O	Interruption output
116	PPROGRAM	O	Pcif (Xilinx) configuration program signal	161	VssQ	-	Ground
117	DONE	I	PCIF (Xilinx) configuration termination signal	162	CKIO	I	System clock input (40MHz)
118	PINI	I/O	PCIF (Xilinx) configuration initial signal	163	VccQ	-	Core power supply (1.8V)
119	DRST	O	Dvexcel reset signal	164	TXD0	O	RS422 input TXD
120	TDO	O	For debugging	165	N.C.	-	Not used
121	BACK	O	Not used	166	TXD1	O	RS422 output TXD
122	BREQ	I	Not used	167	N.C.	-	Not used
123	WAIT	I	Wait signal	168	TXD2	O	RS232C TXD
124	RESET	I	Reset input	169	N.C.	-	Not used
125	N.C.	-	Not used	170	RTS2	O	RS232C RTS
126	N.C.	-	Not used	171	RXD0	I	RS422 input RXD
127	ASMD	I	For debugging	172	RXD1	I	RS422 output RXD
128	ASBR	O	For debugging	173	Vss	-	Ground
129	WDVS	I	Wait input from LTC_SW (Xilinx) Dvexcel	174	RXD2	I	RS232C RXD
130	AUD3	O	For debugging	175	Vcc	-	I/O power supply (3.3V)
131	AUD2	O	For debugging	176	CTS2	I	RS232C CTS
132	Vss	-	Ground	177	LXINIT	I/O	LTC_SW (Xilinx) configuration initial signal
133	AUD1	O	For debugging	178	LDONE	I	LTC_SW (Xilinx) configuration termination signal
134	Vcc	-	SH I/O power supply (3.3V)	179	INT5	I	Vaikilt interruption input (L: active)
135	AUD0	O	For debugging	180	INT4	I	Vaikilt interruption input (L: active)

No.	Pin Name	I/O	Pin Function	No.	Pin Name	I/O	Pin Function
181	VssQ	–	Ground	195	MD3	I	Bus width setting of area 0 fixed to H
182	PTD3	O	Status LED	196	MD4	I	Bus width setting of area 0 fixed to H
183	VccQ	–	Core power supply (1.8V)	197	MD5	I	Bus width setting of area 0 fixed to L
184	PTD2	O	Status LED	198	Avss	–	Ground
185	INT3	I	Celnyx interruption input (L: active)	199	DBP0	I	Audery DBP0
186	INT2	I	Not used	200	DBP1	I	Audery DBP1
187	INT1	I	Not used	201	DBP2	I	Audery DBP2
188	INT0	I	George interruption input (L: active)	202	DBP3	I	Audery DBP3
189	PTD1	O	Status LED	203	SRER	I	SRC lock signal
190	PTD0	O	Status LED	204	WBSY	–	Not used
191	DREQ0	I	DMA REQ for Slalom	205	Avcc	–	Power supply for analog (3.3V)
192	DREQ1	I	DMA REQ for Pcif (Xilinx)	206	PTL6	–	Not used
193	RESET	I	Reset input	207	PTL7	–	Not used
194	CA	I	Chip active	208	Avss	–	Ground

■ XC2S100-5PQ208C (PCIB ASSY : IC2309)

• PCIF XILINX

● Pin Function

No.	Pin Name	I/O	Pin Function	No.	Pin Name	I/O	Pin Function
1	GND	–	Ground	46	AD06	I/O	PCI address/data
2	N.C.	–	Not used	47	AD05	I/O	PCI address/data
3	AD28	I/O	PCI address/data	48	AD04	I/O	PCI address/data
4	AD27	I/O	PCI address/data	49	AD03	I/O	PCI address/data
5	AD26	I/O	PCI address/data	50	M1	I	Configuration mode switch fixed to H
6	AD25	I/O	PCI address/data	51	GND	–	Ground
7	AD24	I/O	PCI address/data	52	M0	I	Configuration mode switch fixed to L
8	CBE3	I/O	PCI bus command / byte enable	53	VccO	–	I/O power supply (3.3V)
9	IDSE	I	PCI initialization device select	54	M2	I	Configuration mode switch fixed to H
10	AD23	I/O	PCI address/data	55	N.C.	–	Not used
11	GND	–	Ground	56	N.C.	–	Not used
12	VccO	–	I/O power supply (3.3V)	57	AD02	I/O	PCI address/data
13	Vccint	–	Core power supply (2.5V)	58	AD01	I/O	PCI address/data
14	AD22	I/O	PCI address/data	59	AD00	I/O	PCI address/data
15	AD21	I/O	PCI address/data	60	N.C.	–	Not used
16	AD20	I/O	PCI address/data	61	XBSOUT	O	Signal for LTC_SW (Xilinx) configuration
17	AD19	I/O	PCI address/data	62	WE0	I	SH write strobe
18	AD18	I/O	PCI address/data	63	N.C.	–	Not used
19	GND	–	Ground	64	GND	–	Ground
20	AD17	I/O	PCI address/data	65	VccO	–	I/O power supply (3.3V)
21	AD16	I/O	PCI address/data	66	Vccint	–	Core power supply (2.5V)
22	CBE2	I/O	PCI bus command / byte enable	67	BREQ	–	Not used
23	FRM	I/O	PCI frame	68	BACK	–	Not used
24	IRDY	I/O	PCI initiator ready	69	CASL	I	CAS for SH SDRAM
25	GND	–	Ground	70	RAS3	I	RAS for SH SDRAM
26	VccO	–	I/O power supply (3.3V)	71	CKE	I	CKE for SH SDRAM
27	TRDY	I/O	PCI target ready	72	GND	–	Ground
28	Vccint	–	Core power supply (2.5V)	73	CS3	I	SH chip select 3
29	DEV	I/O	PCI device select	74	RDWR	I	SH read/write
30	PAR	I/O	PCI parity	75	WE3	I	SH write strobe
31	CBE1	I/O	PCI bus command / byte enable	76	Vccint	–	Core power supply (2.5V)
32	GND	–	Ground	77	I.GCK1	–	Not used
33	AD15	I/O	PCI address/data	78	Vcc0	I	SH write strobe
34	AD14	I/O	PCI address/data	79	GND	–	Ground
35	AD13	I/O	PCI address/data	80	I.GCK0	I	SH system clock (40 MHz)
36	AD12	I/O	PCI address/data	81	WE2	I	SH write strobe
37	AD11	I/O	PCI address/data	82	WE1	I	SH write strobe
38	Vccint	–	Core power supply (2.5V)	83	DRQ1	O	DMA REQ for SH
39	VccO	–	I/O power supply (3.3V)	84	DAC1	I	DMA ACK for SH
40	GND	–	Ground	85	GND	–	Ground
41	AD10	I/O	PCI address/data	86	A15	I	SH address bus
42	AD09	I/O	PCI address/data	87	A14	I	SH address bus
43	AD08	I/O	PCI address/data	88	A13	I	SH address bus
44	CBE0	I/O	PCI bus command / byte enable	89	A12	I	SH address bus
45	AD07	I/O	PCI address/data	90	A11	I	SH address bus

No.	Pin Name	I/O	Pin Function	No.	Pin Name	I/O	Pin Function
91	Vccint	–	Core power supply (2.5V)	136	D17	I/O	SH data bus
92	VccO	–	I/O power supply (3.3V)	137	GND	–	Ground
93	GND	–	Ground	138	D16	I/O	SH data bus
94	A10	I	SH address bus	139	D15	I/O	SH data bus
95	A09	I	SH address bus	140	D14	I/O	SH data bus
96	A08	I	SH address bus	141	D13	I/O	SH data bus
97	A07	I	SH address bus	142	D02	I/O	SH data bus
98	A06	I	SH address bus	143	Vccint	–	Core power supply (2.5V)
99	A05	I	SH address bus	144	VccO	–	I/O power supply (3.3V)
100	A04	I	SH address bus	145	GND	–	Ground
101	A03	I	SH address bus	146	D01	I/O	SH data bus
102	A02	I	SH address bus	147	D12	I/O	SH data bus
103	GND	–	Ground	148	D11	I/O	SH data bus
104	DONE	O	PCIF (Xilinx) configuration termination signal	149	D10	I/O	SH data bus
105	VccO	–	I/O power supply (3.3V)	150	D09	I/O	SH data bus
106	PROGRAM	I	Pcif (Xilinx) configuration program signal	151	D08	I/O	SH data bus
107	PINI	I/O	PCIF (Xilinx) configuration initial signal	152	IRQOUT	–	Not used
108	D07	I/O	SH data bus	153	D00	I/O	SH data bus
109	A01	I	SH address bus	154	STATUS	O	Status LED
110	A00	I	SH address bus	155	CCLK	I	Configuration CLK (40 MHz)
111	D31	I/O	SH data bus	156	VccO	–	I/O power supply (3.3V)
112	D30	I/O	SH data bus	157	N.C.	–	Not used
113	D29	I/O	SH data bus	158	GND	–	Ground
114	D28	I/O	SH data bus	159	N.C.	–	Not used
115	D06	I/O	SH data bus	160	CS6	I	SH chip select 6
116	GND	–	Ground	161	CS6	I	SH chip select 6
117	VccO	–	I/O power supply (3.3V)	162	RD	I	SH read
118	Vccint	–	Core power supply (2.5V)	163	BS	I	SH bus start
119	D05	I/O	SH data bus	164	WAIT	O	WAIT output
120	D27	I/O	SH data bus	165	IRQ4	O	Interruption output
121	D26	I/O	SH data bus	166	N.C.	–	Not used
122	D25	I/O	SH data bus	167	SWAIT	I	WAIT input from Slalom
123	D24	I/O	SH data bus	168	KAWA_D7	–	Not used
124	GND	–	Ground	169	GND	–	Ground
125	D23	I/O	SH data bus	170	VccO	–	I/O power supply (3.3V)
126	D04	I/O	SH data bus	171	Vccint	–	Core power supply (2.5V)
127	D22	I/O	SH data bus	172	KAWA_D6	–	Not used
128	Vccint	–	Core power supply (2.5V)	173	KAWA_D5	–	Not used
129	D21	I/O	SH data bus	174	KAWA_D4	–	Not used
130	VccO	–	I/O power supply (3.3V)	175	KAWA_D3	–	Not used
131	GND	–	Ground	176	KAWA_D2	–	Not used
132	D20	I/O	SH data bus	177	GND	–	Ground
133	D19	I/O	SH data bus	178	KAWA_D1	–	Not used
134	D18	I/O	SH data bus	179	KAWA_D0	–	Not used
135	D03	I/O	SH data bus	180	KAWA_DACK	–	Not used

A

No.	Pin Name	I/O	Pin Function	No.	Pin Name	I/O	Pin Function
181	KAWA_DREQ	-	Not used	195	STOP	I/O	PCI stop
182	CLK27FPGA	I	27MHz CLK input	196	Vccint	-	Core power supply (2.5V)
183	GND	-	Ground	197	VccO	-	I/O power supply (3.3V)
184	VccO	-	I/O power supply (3.3V)	198	GND	-	Ground
185	CLK	I	PCI clock (33 MHz)	199	LOCK	I/O	PCI lock
186	Vccint	-	Core power supply (2.5V)	200	PERR	I/O	PCI parity error
187	PIRA	I	PCI interruption	201	SDON	I/O	PCI snoop completion
188	PIRB	I	PCI interruption	202	SBO	I/O	PCI snoop back off
189	PIRC	I	PCI interruption	203	SERR	I/O	PCI system error
190	GND	-	Ground	204	AD31	I/O	PCI address/data
191	PIRD	I	PCI interruption	205	AD30	I/O	PCI address/data
192	GNT	I/O	PCI ground	206	AD29	I/O	PCI address/data
193	REQ	I/O	PCI request	207	N.C.	-	Not used
194	PME	I	PCI power management	208	VccO	-	I/O power supply (3.3V)

B

C

D

E

F

■ XC2S100-5PQ208C (DEC B ASSY : IC1311)

• XILINX FPGA

● Pin Function

No.	Pin Name	I/O	Pin Function	No.	Pin Name	I/O	Pin Function
1	GNDD	–	Ground	46	AD06	I/O	PCI address/data
2	RESERVE	–	Resereved	47	AD05	I/O	PCI address/data
3	AD28	I/O	PCI address/data	48	AD04	I/O	PCI address/data
4	AD27	I/O	PCI address/data	49	AD03	I/O	PCI address/data
5	AD26	I/O	PCI address/data	50	M1	I	Configuration mode switch fixed to H
6	AD25	I/O	PCI address/data	51	GNDD	–	Ground
7	AD24	I/O	PCI address/data	52	M0	I	Configuration mode switch fixed to L
8	CBE3	I/O	PCI bus command / byte enable	53	V+3M	–	I/O power supply (+3.3V)
9	IDSE	I	PCI initialization device select	54	M2	I	Configuration mode switch fixed to H
10	AD23	I/O	PCI address/data	55	N.C.	–	Not used
11	GNDD	–	Ground	56	N.C.	–	Not used
12	V+3M	–	I/O power supply (+3.3V)	57	AD02	I/O	PCI address/data
13	V+2X	–	Core power supply (+2.5V)	58	AD01	I/O	PCI address/data
14	AD22	I/O	PCI address/data	59	AD00	I/O	PCI address/data
15	AD21	I/O	PCI address/data	60	RESERVE	–	Resereved
16	AD20	I/O	PCI address/data	61	RESERVE	–	Resereved
17	AD19	I/O	PCI address/data	62	RESERVE	–	Resereved
18	AD18	I/O	PCI address/data	63	RESERVE	–	Resereved
19	GNDD	–	Ground	64	GNDD	–	Ground
20	AD17	I/O	PCI address/data	65	V+3M	–	I/O power supply (+3.3V)
21	AD16	I/O	PCI address/data	66	V+2X	–	Core power supply (+2.5V)
22	CBE3	I/O	PCI bus command / byte enable	67	RESERVE	–	Resereved
23	FRM	I/O	PCI frame	68	RESERVE	–	Resereved
24	IRDY	I/O	PCI initiator ready	69	RESERVE	–	Resereved
25	GNDD	–	Ground	70	RESERVE	–	Resereved
26	V+3M	–	I/O power supply (+3.3V)	71	RESERVE	–	Resereved
27	TRDY	I/O	PCI target ready	72	GNDD	–	Ground
28	V+2X	–	Core power supply (+2.5V)	73	RESERVE	–	Resereved
29	DEV	I/O	PCI device select	74	RESERVE	–	Resereved
30	PAR	I/O	PCI parity	75	RESERVE	–	Resereved
31	CBE1	I/O	PCI bus command / byte enable	76	V+2X	–	Core power supply (+2.5V)
32	GNDD	–	Ground	77	I.GCK1	–	Not used
33	AD15	I/O	PCI address/data	78	V+3M	–	I/O power supply (+3.3V)
34	AD14	I/O	PCI address/data	79	GNDD	–	Ground
35	AD13	I/O	PCI address/data	80	CLK40P	I	40MHz clock input (1)
36	AD12	I/O	PCI address/data	81	RESERVE	–	Resereved
37	AD11	I/O	PCI address/data	82	RESERVE	–	Resereved
38	V+2X	–	Core power supply (+2.5V)	83	DRQ1	O	DMA REQ for SH
39	V+3M	–	I/O power supply (+3.3V)	84	DAC1	I	DMA ACK for SH
40	GNDD	–	Ground	85	GNDD	–	Ground
41	AD10	I/O	PCI address/data	86	AD15	I/O	PCI address/data
42	AD09	I/O	PCI address/data	87	AD14	I/O	PCI address/data
43	AD08	I/O	PCI address/data	88	AD13	I/O	PCI address/data
44	CBE0	I/O	PCI bus command / byte enable	89	AD12	I/O	PCI address/data
45	AD07	I/O	PCI address/data	90	AD11	I/O	PCI address/data

A

No.	Pin Name	I/O	Pin Function	No.	Pin Name	I/O	Pin Function
91	V+2X	–	Core power supply (+2.5V)	136	D17	I/O	SH data bus
92	V+3M	–	I/O power supply (+3.3V)	137	GNDD	–	Ground
93	GNDD	–	Ground	138	D16	I/O	SH data bus
94	AD10	I/O	PCI address/data	139	D15	I/O	SH data bus
95	AD09	I/O	PCI address/data	140	D14	I/O	SH data bus
96	AD08	I/O	PCI address/data	141	D13	I/O	SH data bus
97	AD07	I/O	PCI address/data	142	D02	I/O	SH data bus
98	AD06	I/O	PCI address/data	143	V+2X	–	Core power supply (+2.5V)
99	AD05	I/O	PCI address/data	144	V+3M	–	I/O power supply (+3.3V)
100	AD04	I/O	PCI address/data	145	GNDD	–	Ground
101	AD03	I/O	PCI address/data	146	D01	I/O	SH data bus
102	AD02	I/O	PCI address/data	147	D12	I/O	SH data bus
103	GNDD	–	Ground	148	D11	I/O	SH data bus
104	DONE	O	PCIF (Xilinx) configuration termination signal	149	D10	I/O	SH data bus
105	V+3M	–	I/O power supply (+3.3V)	150	D09	I/O	SH data bus
106	SYSRST	I	Reset input	151	D08	I/O	SH data bus
107	PTE2	I/O	PCIF (Xilinx) configuration initial signal	152	D00 (IRQOUT)	–	Not used
108	D07	I/O	SH data bus	153	D00	I/O	SH data bus
109	A01	I	SH address bus	154	RESERVE (STATUS)	O	Status LED
110	A00	I	SH address bus	155	CLK40P	I	40MHz clock input (2)
111	D31	I/O	SH data bus	156	V+3M	–	I/O power supply (+3.3V)
112	D30	I/O	SH data bus	157	RESERVE	–	Reserved
113	D29	I/O	SH data bus	158	GNDD	–	Ground
114	D28	I/O	SH data bus	159	RESERVE	–	Reserved
115	D06	I/O	SH data bus	160	CS6	I	SH chip select 6
116	GNDD	–	Ground	161	WE0	I	Write enable 0 Connect to CS6
117	V+3M	–	I/O power supply (+3.3V)	162	RD	I	SH read
118	V+2X	–	Core power supply (+2.5V)	163	BS	I	SH bus start
119	D05	I/O	SH data bus	164	WAIT	O	WAIT output
120	D27	I/O	SH data bus	165	IRQ4	O	Interruption output
121	D26	I/O	SH data bus	166	RESERVE	–	Reserved
122	D25	I/O	SH data bus	167	BWAIT	I	WAIT input from AV-1
123	D24	I/O	SH data bus	168	BD7	–	MPEG bit stream output
124	GNDD	–	Ground	169	GNDD	–	Ground
125	D23	I/O	SH data bus	170	V+3M	–	I/O power supply (+3.3V)
126	D04	I/O	SH data bus	171	V+2X	–	Core power supply (+2.5V)
127	D22	I/O	SH data bus	172	BD6	–	MPEG bit stream output
128	V+2X	–	Core power supply (+2.5V)	173	BD5	–	MPEG bit stream output
129	D21	I/O	SH data bus	174	BD4	–	MPEG bit stream output
130	V+3M	–	I/O power supply (+3.3V)	175	BD3	–	MPEG bit stream output
131	GNDD	–	Ground	176	BD2	–	MPEG bit stream output
132	D20	I/O	SH data bus	177	GNDD	–	Ground
133	D19	I/O	SH data bus	178	BD1	–	MPEG bit stream output
134	D18	I/O	SH data bus	179	BD0	–	MPEG bit stream output
135	D03	I/O	SH data bus	180	BDACK	–	MPEG bit stream acknowledge

F

No.	Pin Name	I/O	Pin Function	No.	Pin Name	I/O	Pin Function
181	BDREQ	–	MPEG bit stream request	195	STOP	I/O	PCI stop
182	CLK27P	I	40MHz clock input	196	Vccint	–	Core power supply (2.5V)
183	GNDD	–	Ground	197	VccO	–	I/O power supply (3.3V)
184	V+3M	–	I/O power supply (+3.3V)	198	GNDD	–	Ground
185	CLK	I	PCI clock (33 MHz)	199	LOCK	I/O	PCI lock
186	V+2X	–	Core power supply (+2.5V)	200	PERR	I/O	PCI parity error
187	PIRA	I	PCI interruption	201	SDON	I/O	PCI snoop completion
188	PIRB	I	PCI interruption	202	SBO	I/O	PCI snoop back off
189	PIRC	I	PCI interruption	203	SERR	I/O	PCI system error
190	GNDD	–	Ground	204	AD31	I/O	PCI address/data
191	PIRD	I	PCI interruption	205	AD30	I/O	PCI address/data
192	GNT	I/O	PCI ground	206	AD29	I/O	PCI address/data
193	REQ	I/O	PCI request	207	RESERVE	–	Reserved
194	PME	I	PCI power management	208	V+3M	–	I/O power supply (+3.3V)

■ HD6417709AF100B (DECB ASSY : IC1211)

• MPU IC (SH-3)

● Pin Function

No.	Pin Name	I/O	Pin Function	No.	Pin Name	I/O	Pin Function
1	MD1	I	CLK mode setting (H)	46	D5	I/O	Data bus
2	MD2	I	CLK mode setting (H)	47	VccQ	–	Core power supply (+1.8V)
3	Vcc-RTC	–	Power supply for RTC (+1.8V)	48	D4	I/O	Data bus
4	XTAL2	O	RTC output (32.768 KHz)	49	D3	I/O	Data bus
5	EXTAL2	I	RTC input (32.768 KHz)	50	D2	I/O	Data bus
6	Vss-RTC	–	Ground	51	D1	I/O	Data bus
7	NMI	I	NMI interruption (Not used)	52	D0	I/O	Data bus
8	IREQ0	I	AV-1 interruption (active L)	53	A0	O	Address bus
9	IREQ1	I	AV-1 interruption (active L)	54	A1	O	Address bus
10	IREQ2	I	Not used	55	A2	O	Address bus
11	IREQ3	I	Not used	56	A3	O	Address bus
12	IREQ4	I	Pcif (Xilinx) interruption (active L)	57	VssQ	–	Ground
13	D31	I/O	Data bus	58	A4	O	Address bus
14	D30	I/O	Data bus	59	VccQ	–	Core power supply (+1.8V)
15	D29	I/O	Data bus	60	A5	O	Address bus
16	D28	I/O	Data bus	61	A6	O	Address bus
17	D27	I/O	Data bus	62	A7	O	Address bus
18	D26	I/O	Data bus	63	A8	O	Address bus
19	VssQ	–	Ground	64	A9	O	Address bus
20	D25	I/O	Data bus	65	A10	O	Address bus
21	VccQ	–	Core power supply (+1.8V)	66	A11	O	Address bus
22	D24	I/O	Data bus	67	A12	O	Address bus
23	D23	I/O	Data bus	68	A13	O	Address bus
24	D22	I/O	Data bus	69	VssQ	–	Ground
25	D21	I/O	Data bus	70	A14	O	Address bus
26	D20	I/O	Data bus	71	VccQ	–	Core power supply (+1.8V)
27	Vss	–	Ground	72	A15	O	Address bus
28	D19	I/O	Data bus	73	A16	O	Address bus
29	Vcc	–	I/O power supply (+3.3V)	74	A17	O	Address bus
30	D18	I/O	Data bus	75	A18	O	Address bus
31	D17	I/O	Data bus	76	A19	O	Address bus
32	D16	I/O	Data bus	77	A20	O	Address bus
33	VssQ	–	Ground	78	A21	O	Address bus
34	D15	I/O	Data bus	79	Vss	–	Ground
35	VccQ	–	Core power supply (+1.8V)	80	A20	O	Address bus
36	D14	I/O	Data bus	81	Vcc	–	I/O power supply (+3.3V)
37	D13	I/O	Data bus	82	A23	O	Address bus
38	D12	I/O	Data bus	83	VssQ	–	Ground
39	D11	I/O	Data bus	84	A24	O	Address bus
40	D10	I/O	Data bus	85	VccQ	–	Core power supply (+1.8V)
41	D9	I/O	Data bus	86	A25	O	Address bus
42	D8	I/O	Data bus	87	BS	O	Bus cycle start
43	D7	I/O	Data bus	88	RD	O	Read strobe
44	D6	I/O	Data bus	89	WE0	O	Write enable
45	VssQ	–	Ground	90	WE1	O	Write enable

No.	Pin Name	I/O	Pin Function	No.	Pin Name	I/O	Pin Function
91	WE2	O	Write enable	136	XTRST	I	For debugging
92	WE3	O	Write enable	137	TMS	I	For debugging
93	RDWR	O	Read / Write	138	TDI	I	For debugging
94	AUDSYC	O	For debugging	139	TCK	I	For debugging
95	VssQ	-	Ground	140	PINT11	I	Not used
96	CS0	O	Chip select 0	141	PINT10	I	Not used
97	VccQ	-	Core power supply (+1.8V)	142	PINT9	I	Not used
98	CS2	O	Chip select 2	143	PINT8	I	Not used
99	CS3	O	Chip select 3	144	SHMD0	I	CLK mode setting (H)
100	CS4	O	Chip select 4	145	Vcc-PLL1	-	Power supply for PLL (+1.8V)
101	CS5	O	Chip select 5	146	CAP1	-	Capacitor pin for PLL
102	CS6	O	Chip select 6	147	Vss-PLL1	-	Ground
103	AV1RST	O	AV-1 reset	148	Vss-PLL2	-	Ground
104	CE2B	-	Not used	149	CAP2	-	Capacitor pin for PLL
105	CKE	O	CKE for SDRAM	150	Vcc-PLL2	-	Power supply for PLL (+1.8V)
106	RAS3L	O	RAS for SDRAM	151	AUDCK	O	For debugging
107	SDA1	O	Video encoder (IC1711) SDA	152	Vss	-	Ground
108	CASLL	O	CAS for SDRAM	153	Vss	-	Ground
109	VssQ	-	Ground	154	Vcc	-	I/O power supply (+3.3V)
110	XPHRST	O	Reset for 1394PHY	155	XTAL	O	CPU clock
111	VccQ	-	Core power supply (+1.8V)	156	EXTAL	I	CPU clock
112	SQZ	O	Squeeze signal	157	PALNTSC	O	PAL/NTSC selection control signal
113	CASHH	-	Not used	158	PXRST	O	Video encoder (IC1711) reset
114	DACK0	-	Not used	159	FSEL	O	16M clock selection control signal
115	XDAC1	O	Pcif (Xilinx) DMA ACK	160	IRQOUT	O	Interruption output (Not used)
116	SCL1	O	Video encoder (IC1711) SCL	161	VssQ	-	Ground
117	DONE	I	PCIF (Xilinx) configuration termination signal	162	CLK40S	I	System clock input (40MHz)
118	PTE2	O	Pcif (Xilinx) configuration program signal	163	VccQ	-	Core power supply (+1.8V)
119	LTR	O	Letter box signal	164	TXD0	-	Not used
120	TDO	O	For debugging	165	SCK0	-	Not used
121	BACK	O	Not used	166	TXD1	-	Not used
122	BREQ	I	Not used	167	SCK1	-	Not used
123	XWAIT	I	Wait input (Xilinx)	168	TXD2	O	RS232C TXD
124	SYSRST	I	Reset input	169	SCK2	-	Not used
125	N.C.	-	Not used	170	RTS2	O	RS232C RTS
126	N.C.	-	Not used	171	RXD0	-	Not used
127	ASEMD0	I	For debugging	172	RXD1	-	Not used
128	XASKAK	O	For debugging	173	Vss	-	Ground
129	N.C.	-	Not used	174	RXD2	I	RS232C RXD
130	ADATA3	O	For debugging	175	Vcc	-	I/O power supply (+3.3V)
131	ADATA2	O	For debugging	176	CTS2	I	RS232C CTS
132	Vss	-	Ground	177	MCS7	-	Not used
133	ADATA1	O	For debugging	178	MCS6	-	Not used
134	Vcc	-	SH I/O power supply (+3.3V)	179	ADJ/SYNC	O	Control signal of asynchronous / external synchronous selection
135	ADATA0	O	For debugging	180	INT/EXT	O	Control signal of 27MHz clock internal / external selection

A

No.	Pin Name	I/O	Pin Function	No.	Pin Name	I/O	Pin Function
181	VssQ	–	Ground	195	SHMD3	I	Bus width setting of area 0 fixed to L
182	PTD3	O	Status LED	196	SHMD4	I	Bus width setting of area 0 fixed to H
183	VccQ	–	Core power supply (+1.8V)	197	SHMD5	I	Bus width setting of area 0 fixed to L
184	PTD2	O	Status LED	198	Avss	–	Ground
185	P/XI	O	Progressive / interlace	199	XCYNIN	I	External synchronous flag input
186	CPP2	O	Copy inhibit signal for internal control	200	AN1	–	Not used
187	MCS1	–	Not used	201	AN2	–	Not used
188	CPP1	O	Copy inhibit signal for external output	202	AN3	–	Not used
189	PTD1	O	Status LED	203	AN4	–	Not used
190	PTD0	O	Status LED	204	AN5	–	Not used
191	XDREQ	I	DMA REQ for AV-1	205	Avcc	–	Power supply for analog (+3.3V)
192	XDREQ1	I	DMA REQ for Pcif (Xilinx)	206	AN6	–	Not used
193	YSRST	I	Reset input	207	AN7	–	Not used
194	CA	I	Chip active (H)	208	Avss	–	Ground

B

C

D

E

F

■ M65776AFP (DECB ASSY : IC1513)

• AV-1

● Pin Function

No.	Pin Name	I/O	Pin Function	No.	Pin Name	I/O	Pin Function
1	GND	–	Ground	46	RDY	O	Data ready
2	BCLK	I	Bit stream clock	47	INT1	O	Interruption request
3	BDEN	I	Not used	48	INT2	O	Interruption request
4	BDREQ	O	Bit stream request	49	INT3	O	Interruption request
5	BSECH	I	Not used	50	GND	–	Ground
6	HD<0>	I/O	Data input/output	51	DREQ	O	DMA request
7	HD<1>	I/O	Data input/output	52	DACK	I	DMA acknowledge
8	HD<2>	I/O	Data input/output	53	MA<3>	O	SDRAM address
9	HD<3>	I/O	Data input/output	54	MA<4>	O	SDRAM address
10	HD<4>	I/O	Data input/output	55	MA<2>	O	SDRAM address
11	HD<5>	I/O	Data input/output	56	VDD18	–	Power supply for internal circuit (+1.8V)
12	VDD18	–	Power supply for internal circuit (+1.8V)	57	VDD33	–	I/O power supply (+3.3V)
13	VDD33	–	I/O power supply (+3.3V)	58	MA<5>	O	SDRAM address
14	HD<6>	I/O	Data input/output	59	MA<1>	O	SDRAM address
15	HD<7>	I/O	Data input/output	60	MA<6>	O	SDRAM address
16	HD<8>	I/O	Data input/output	61	MA<0>	O	SDRAM address
17	HD<9>	I/O	Data input/output	62	MA<7>	O	SDRAM address
18	HD<10>	I/O	Data input/output	63	MA<10>	O	SDRAM address
19	HD<11>	I/O	Data input/output	64	GND	–	Ground
20	GND	–	Ground	65	MA<8>	O	SDRAM address
21	HD<12>	I/O	Data input/output	66	MBA[1]	O	SDRAM bank selection
22	HD<13>	I/O	Data input/output	67	MA<9>	O	SDRAM address
23	HD<14>	I/O	Data input/output	68	MBA[0]	O	SDRAM bank selection
24	HD<15>	I/O	Data input/output	69	MA<11>	O	SDRAM address
25	HA<0>	I	Address input	70	DCS	O	SDRAM chip selection
26	HA<1>	I	Address input	71	VDD18	–	Power supply for internal circuit (+1.8V)
27	VDD18	–	Power supply for internal circuit (+1.8V)	72	VDD33	–	I/O power supply (+3.3V)
28	VDD33	–	I/O power supply (+3.3V)	73	DCS2	O	SDRAM chip selection
29	HA<2>	I	Address input	74	DCS3	O	SDRAM chip selection
30	HA<3>	I	Address input	75	DCS4	O	SDRAM chip selection
31	HA<4>	I	Address input	76	DCS5	O	SDRAM chip selection
32	HA<5>	I	Address input	77	RAS	O	SDRAM-RAS
33	HA<6>	I	Address input	78	CAS	O	SDRAM-CAS
34	HA<7>	I	Address input	79	MCLK	O	SDRAM clock
35	GND	–	Ground	80	DWE	O	SDRAM write enable
36	HA<8>	I	Address input	81	GND	–	Ground
37	HA<9>	I	Address input	82	DQMU	O	SDRAM-DQM upper byte
38	HA<10>	I	Address input	83	DQML	O	SDRAM-DQM lower byte
39	HA<11>	I	Address input	84	MD<7>	I/O	SDRAM data input/output
40	CS	I	Chip select	85	MD<8>	I/O	SDRAM data input/output
41	RE	I	Read enable	86	MD<6>	I/O	SDRAM data input/output
42	VDD18	–	Power supply for internal circuit (+1.8V)	87	MD<9>	I/O	SDRAM data input/output
43	VDD33	–	I/O power supply (+3.3V)	88	VDD18	–	Power supply for internal circuit (+1.8V)
44	WE	I	Write enable	89	VDD33	–	I/O power supply (+3.3V)
45	BHE	I	Byte high enable	90	MD<5>	I/O	SDRAM data input/output

A

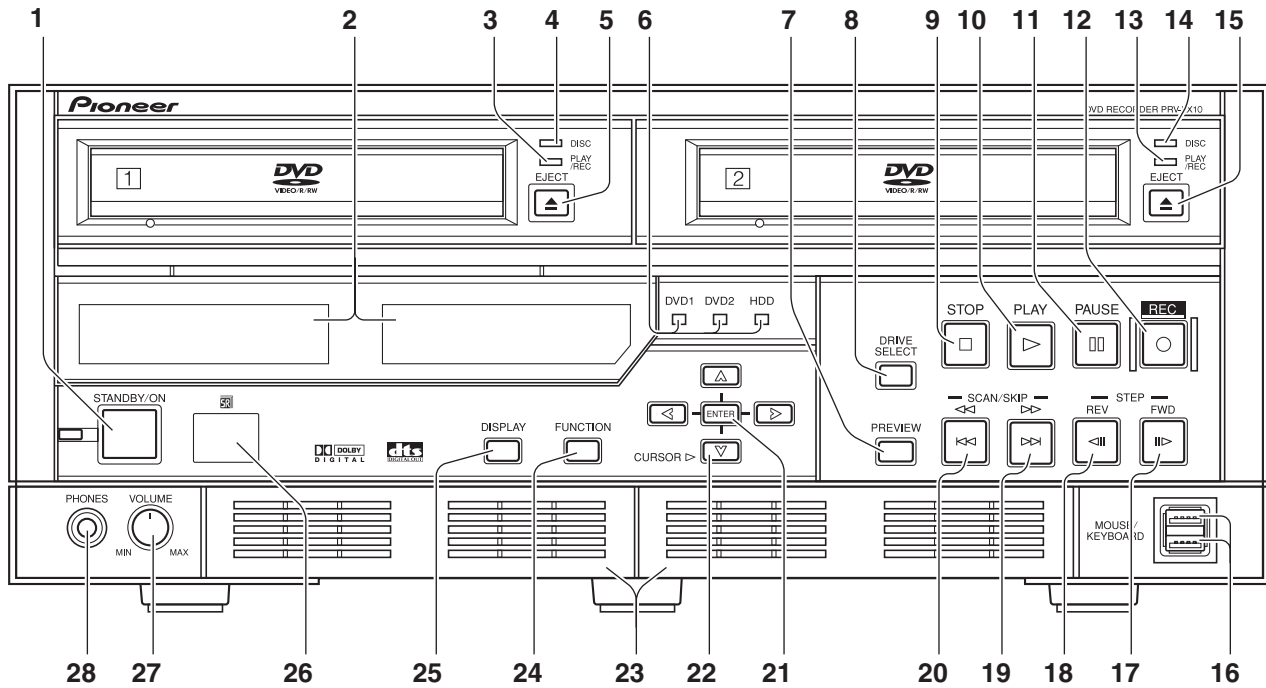
No.	Pin Name	I/O	Pin Function	No.	Pin Name	I/O	Pin Function
91	MD<10>	I/O	SDRAM data input/output	136	N.C.	–	Not used
92	MD<4>	I/O	SDRAM data input/output	137	N.C.	–	Not used
93	MD<11>	I/O	SDRAM data input/output	138	N.C.	–	Not used
94	MD<3>	I/O	SDRAM data input/output	139	N.C.	–	Not used
95	MD<12>	I/O	SDRAM data input/output	140	N.C.	–	Not used
96	GND	–	Ground	141	N.C.	–	Not used
97	MD<2>	I/O	SDRAM data input/output	142	N.C.	–	Not used
98	MD<13>	I/O	SDRAM data input/output	143	N.C.	–	Not used
99	MD<1>	I/O	SDRAM data input/output	144	N.C.	–	Not used
100	MD<14>	I/O	SDRAM data input/output	145	GND	–	Ground
101	MD<0>	I/O	SDRAM data input/output	146	N.C.	–	Not used
102	MD<15>	I/O	SDRAM data input/output	147	N.C.	–	Not used
103	VDD18	–	Power supply for internal circuit (+1.8V)	148	N.C.	–	Not used
104	VDD33	–	I/O power supply (+3.3V)	149	N.C.	–	Not used
105	CLKO	O	27MHz clock output	150	N.C.	–	Not used
106	CLKI	I	27MHz clock input	151	N.C.	–	Not used
107	AVDD18	–	Power supply for internal PLL (+1.8V)	152	N.C.	–	Not used
108	AGND18	–	Ground for internal PLL	153	N.C.	–	Not used
109	N.C.	–	Not used	154	N.C.	–	Not used
110	N.C.	–	Not used	155	VDD18	–	Power supply for internal circuit (+1.8V)
111	N.C.	–	Not used	156	VDD33	–	I/O power supply (+3.3V)
112	GND	–	Ground	157	N.C.	–	Not used
113	AVDD33	–	Analog power supply (+3.3V)	158	N.C.	–	Not used
114	DAOUTB	–	Not used (connect to ground)	159	LRCLK	O	Audio channel distinction clock
115	AVRI	I	Reference voltage	160	CDLRCLK	I	Not used
116	PAB	O	Pb current output	161	CDBCK	I	Not used
117	IREF	I	Reference current	162	CDDATA	I	Not used
118	BIAS2	I	Bias voltage for power source	163	CDDIN	I	Not used
119	PAY	O	Y (progressive) current output	164	AO0	O	PCM serial data for DAC
120	BIAS1	I	Bias voltage for power source	165	GND	–	Ground
121	AVDD33	–	Analog power supply (+3.3V)	166	AO1	O	PCM serial data for DAC (Not used)
122	PAR	O	Pr current output	167	AO2	O	PCM serial data for DAC (Not used)
123	AVDD33	–	Analog power supply (+3.3V)	168	AOD	O	PCM serial data for DAC (Not used)
124	AGND33	–	Analog ground	169	AAD	O	Not used
125	GND	–	Ground	170	DOUT0	O	Digital audio (S/PDIF) output
126	N.C.	–	Not used	171	DOUT1	O	S/PDIF output (Not used)
127	N.C.	–	Not used	172	ACLKI	I	Audio clock
128	N.C.	–	Not used	173	DACCLK	O	DAC oversampling operating clock (Not used)
129	N.C.	–	Not used	174	VDD18	–	Power supply for internal circuit (+1.8V)
130	N.C.	–	Not used	175	VDD33	–	I/O power supply (+3.3V)
131	N.C.	–	Not used	176	DOCLK	O	PCM bit clock
132	N.C.	–	Not used	177	PWD	O	Phase comparator output of external sync. signal
133	N.C.	–	Not used	178	CSYNC	I	Composite SYNC signal input
134	VDD18	–	Power supply for internal circuit (+1.8V)	179	OSDKEY	O	Not used
135	VDD33	–	I/O power supply (+3.3V)	180	VSNC	O	Vertical sync. signal output

F

No.	Pin Name	I/O	Pin Function	No.	Pin Name	I/O	Pin Function
181	HSYNC	O	Horizontal sync. signal output	195	HMODE<1>	I	Mode setting input (H)
182	PXCLKP	O	54MHz pixel clock	196	TEST[0]	I	Not used (L)
183	PXCLK	O	27MHz pixel clock	197	TEST[1]	I	Not used (L)
184	PD<0>	O	Digital pixel data	198	VDD18	–	Power supply for internal circuit (+1.8V)
185	PD<1>	O	Digital pixel data	199	VDD33	–	I/O power supply (+3.3V)
186	PD<2>	O	Digital pixel data	200	TEST[2]	I	Not used (L)
187	GND	–	Ground	201	BD<0>	I	Bit stream data input
188	PD<3>	O	Digital pixel data	202	BD<1>	I	Bit stream data input
189	PD<4>	O	Digital pixel data	203	BD<2>	I	Bit stream data input
190	PD<5>	O	Digital pixel data	204	BD<3>	I	Bit stream data input
191	PD<6>	O	Digital pixel data	205	BD<4>	I	Bit stream data input
192	PD<7>	O	Digital pixel data	206	BD<5>	I	Bit stream data input
193	RESET	I	SH-3 AV1RST	207	BD<6>	I	Bit stream data input
194	HMODE<0>	I	Mode setting input (L)	208	BD<7>	I	Bit stream data input

8. PANEL FACILITIES

- DVD RECORDER [PRV-LX10]
- Front Panel Facilities



No.	Name	Function
1	STANDBY/ON button	When the unit is in the standby condition, pressing this button causes the power to come on; the power indicator (to the left of the button) changes from orange to green. The main display section indicates system startup. After system startup is completed, the unit enters "idling condition," and as the unit's display changes to show the current time, the STOP button lights. When the unit is in the standby condition, if this button is pressed while holding the STOP button depressed, the Function Menu's setting values will be reset to their factory defaults, and the power will then turn ON. If the button is held depressed for one second or more when the unit is in the idling condition, the unit will perform system shutdown, followed by return to the standby mode (the power indicator will change from green to orange). In the event operation becomes unstable and manual forced shutdown is required, hold the button depressed for four seconds or more.
2	Display sections	
3	PLAY/REC indicator for DVD 1 drive	Lights to indicate operating state of DVD1 drive. Appears green during PLAY mode, and orange during REC mode.
4	DISC indicator for DVD 1 drive	Located to the right side of DVD1, this indicator light (orange) to indicate that a disc is loaded. (*1)
5	EJECT button (▲) for DVD 1 drive	Press to open/close DVD1 disc tray. The DISC indicator flashes from the time the button is pressed until the disc tray closes fully.
6	DVD1, DVD2, HDD (Hard disk Drive) indicators	These indicators light to show which drive has been selected with the DRIVE SELECT button (the indicator for the selected drive lights green).
7	PREVIEW button	When this button is pressed with the unit in the idling condition, a preview image/sound of the selected input (following encode and decode processing) is supplied to all output connectors except DV; when the button is pressed again, the unit returns to idling condition.
8	DRIVE SELECT button	Use to select the playback source and destination drive for recording. The selection changes in the order HDD (Hard disk Drive) → DVD1 → DVD2 → DVD1&2 . When a drive is selected, the corresponding indicator lights (green). When DVD1&2 is selected, DVD1 is designated as the playback source.
9	STOP button (■)	Functions to stop recording or playback. Until all internal operations are completed, the indicator flashes (white), and when fully completed, the unit returns to the idling condition and the indicator lights (white). Also, during idle condition, pressing the STOP button while holding down the CURSOR (bottom pointing arrow) button turns progressive encoding ON/OFF. (*2) To switch the selected TV system format (NTSC/PAL), hold the CURSOR (upward pointing arrow) button depressed and press the STOP button.

No.	Name	Function
10	PLAY button (▶)	When this button is pressed, playback begins from selected source (DVD drive or HDD), and the indicator lights (white). When HDD is designated as the recording destination and time shift playback has been set, this button responds even during recording, and initiates playback from the recording start.
11	PAUSE button (⏸)	When pressed, recording or playback is temporarily interrupted and the indicator lights (white). During recording, allows automatic setting of chapters. To resume recording from the recording pause mode, press the REC button.
12	REC button (●)	When pressed, recording begins to the selected recording destination (drive or project), and the indicator lights (white).
13	PLAY/REC indicator for DVD 2 drive	Lights to indicate operating state of DVD2 drive. Appears green during PLAY mode, and orange during REC mode.
14	DISC indicator for DVD 2 drive	Located to the right side of DVD2, this indicator light (orange) to indicate that a disc is loaded. (*1)
15	EJECT button (▲) for DVD 2 drive	Press to open/close DVD2 disc tray. The DISC indicator flashes from the time the button is pressed until the disc tray closes fully.
16	MOUSE/KEYBOARD connectors	Allows connection of a USB mouse, USB keyboard and USB HDD to the unit. (*3)
17	STEP FWD button (⏩▶)	During normal playback, press for frame advance. Hold depressed for slow motion playback; during slow mode, press again to increase playback speed. (*5)
18	STEP REV button (◀⏪)	During normal playback, press for frame playback in reverse direction. Hold depressed for slow motion playback; during slow mode, press to decrease playback speed. (*5)
19	SCAN/SKIP FWD button (▶▶/▶▶▶)	During playback, press to move to next title or chapter. Hold depressed to initiate scan mode.
20	SCAN/SKIP REV button (◀◀/◀◀◀)	During playback, press to move to previous title or chapter. Hold depressed to initiate scan mode.
21	ENTER button	Press to select function menu items and commands, and to input DVD menu items and commands (during DVD playback). During recording, press to insert chapter marks at optional locations.
22	CURSOR buttons (▲, ▶, ▼, ◀)	Use when selecting function menu items, and for DVD menu control (during DVD playback).
23	Filter cover (2)	These are ventilation ports provided to prevent excessive heating of internal parts. During installation and operation, do not allow these ports to become blocked, since malfunctions may result. * Air filters are installed inside these filter covers, and must be removed and replaced at regular intervals. Continuing to use the unit with clogged filters may result in malfunction. Consult the appended instruction sheet " Air Filter Replacement Instructions and Precautions ".
24	FUNCTION button (*4)	Press to enable and disable the monitor's on-screen function menu display (default setting: DISABLED). When disabled, the unit returns to idling condition.
25	DISPLAY button	Press to turn on-screen display (OSD) ON/OFF (default setting: OFF). This button does not operate when on-screen function display is set to DISABLED.
26	Remote control sensor	Receives signals from the remote control unit. Do not allow this part to be blocked by other objects.
27	VOLUME knob	Use to adjust output level to the headphones jack.
28	PHONES jack	Use to connect headphones.

*1 A disc created on the PRV-LX10 or PRV-LX1 that contains many titles may take dozens of seconds to recognize when loaded. The DISC indicator flashes and the disc recording and playback cannot be started during disc recognition.

*2 Progressive is supported only during NTSC output.

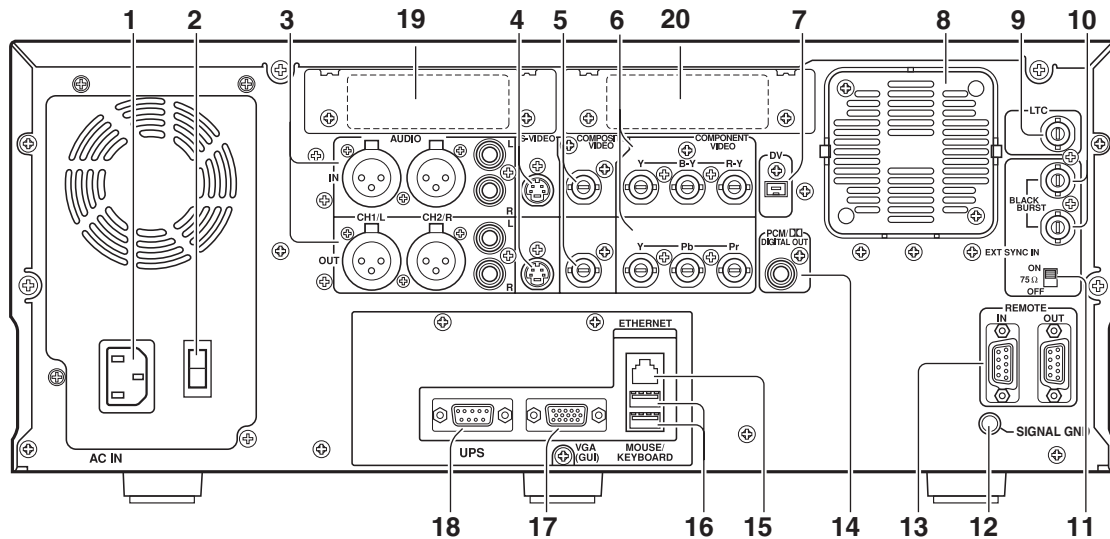
- Connect to progressive-scan TV monitor. Non-progressive monitors will not produce correct playback.
- When progressive is set to ON, no video is output to any output connectors except the component output.

*3 Functionality of connected devices is not guaranteed. If USB mouse and keyboard operation is unstable, try disconnecting and reconnecting the USB connector. If a USB hard disk drive is not recognized, or if operation is unstable, change to a hub supporting USB 2.0. If operation continues to be erratic, inquire your Pioneer dealer or one of the service centers listed at the end of this manual.

*4 This operates the same as the remote control unit's **SETUP** button. The **FUNCTION** button operates only in the idling condition.

*5 When performing reverse slow-motion playback with progressive output (NTSC only), the speed cannot be changed.

• Rear Panel Facilities



No.	Name	Function
1	AC IN connector	Connect to power cord.
2	Main power switch	When set to ON, the unit enters standby condition and front panel indicator lights orange.
3	AUDIO CH1/L CH2/R IN/OUT connectors	Input/output connectors for analog audio CH1/L CH2/R signals.
4	S-VIDEO IN/OUT connectors	Input/output connectors for S-VIDEO video signal. Output is compatible with S2.
5	COMPOSITE VIDEO IN/OUT connectors	Input/output connectors for analog composite video signals. Note: Use coaxial cables (impedance: 75-ohm) to connect with BNC plugs.
6	COMPONENT VIDEO IN/OUT connectors	Input/output connectors for analog component video signals. (*1) Note: Use coaxial cables (impedance: 75-ohm) to connect with BNC plugs.
7	DV connector (*6)	Connect to DV connector of professional use VTR or similar component.
8	Fan motor	Fan motor for cooling internal parts.
9	LTC connector (*2)	Connector for obtaining time code from VHS, VTR, etc. Note: Use a coaxial cable (impedance: 75-ohm) to connect with BNC plugs.
10	EXT SYNC IN and through Output connector	Use for connecting external sync signal, and for pass-through signals. Note: Use coaxial cables (impedance: 75-ohm) to connect with BNC plugs.
11	Terminate switch	Use to terminate sync signal. Set to ON when used alone or when connected to a terminating unit.
12	SIGNAL GND terminal	Ground terminal for signals. When using the unit in environments exposed to high levels of electronic noise, malfunctions may occur to mouse and other control devices. In such cases, connect a ground wire between the components to reduce the noise. This is not an electric safety ground.
13	REMOTE IN/OUT connectors	RS-422A compatible external control connector. The protocol is compatible with SONY format. (*3)
14	PCM/DIGITAL OUT connector	Digital audio output connector. Note: Use a coaxial cable (impedance: 75-ohm) to connect with RCA in plugs.
15	ETHERNET connector	Use for network connection.
16	MOUSE/KEYBOARD connectors	Allows connection of a USB mouse, USB keyboard and USB HDD to the unit. (*4)
17	VGA (GUI) connector	Connect to VGA monitor for expanded operation. (*5)
18	UPS connector	Connect when using UPS.
19	Expansion slot 1	Provided to allow installation of the optional SDI AES/EBU input board (PRA-BD11). • Consult your dealer regarding installation.
20	Expansion slot 2	Provided to allow installation of the optional SDI AES/EBU output board (PRA-BD12). • Consult your dealer regarding installation.

*1 Inputs are compatible with signal levels for both BETA and SMPTE (NTSC only). However, since outputs are based on DVD format, they differ from BETA and SMPTE levels. As a result, outputs should be used only for monitoring.

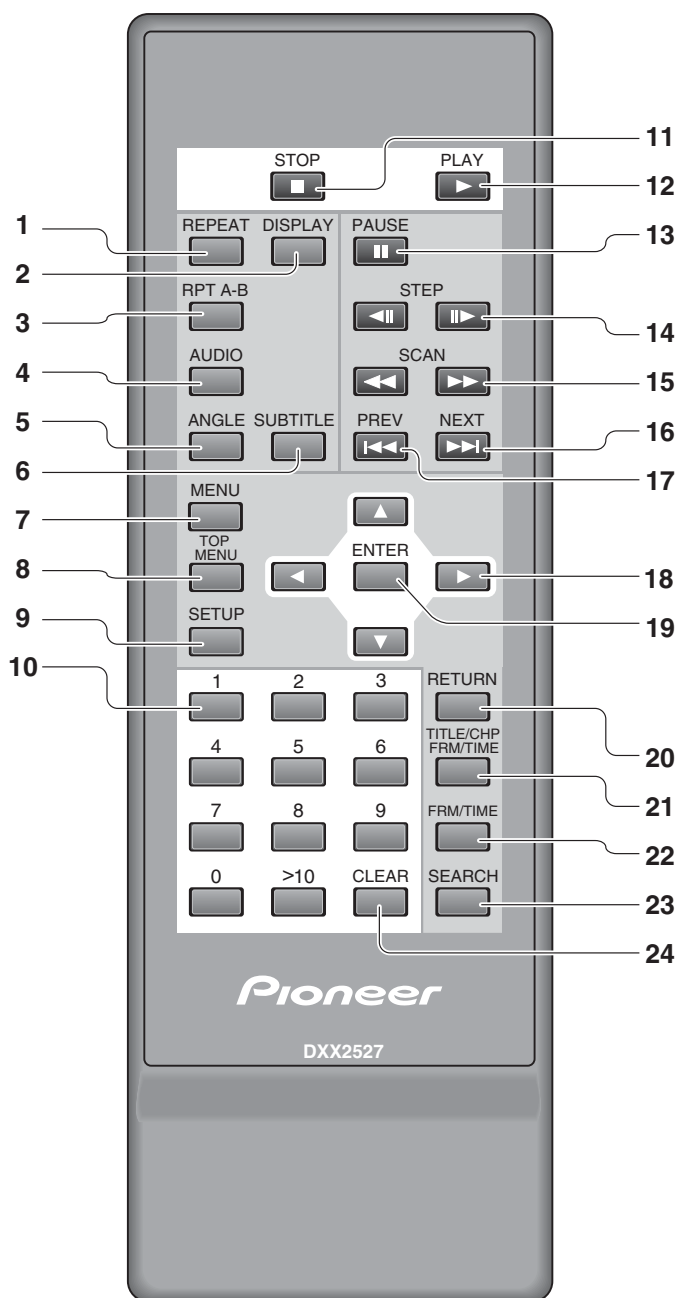
*2 LTC is not supported in drop frame mode.

*3 SONY is a trademark of Sony Corporation. Frame precision is not guaranteed when this unit is used as a playback unit for editing. This component does not support control from an editing machine.

*4 Functionality of connected devices is not guaranteed. If a USB hard disk drive is not recognized, or if operation is unstable, change to a hub supporting USB 2.0. If USB mouse and keyboard operation is unstable, try disconnecting and reconnecting the USB connector. If operation continues to be erratic, inquire your Pioneer dealer or one of the service centers listed at the end of this manual.

*5 The VGA output connector is provided for future expansion use; at present, the connector does not support the output of GUI display signals. Whenever connecting a DV cable to the rear panel DV connector, be sure to attach the accessory ferrite core to the cable.

• Remote control unit



No.	Name
1	REPEAT button
2	DISPLAY button
3	RPT A-B button (repeat playback between two points)
4	AUDIO select button
5	ANGLE button
6	SUBTITLE button
7	MENU button
8	TOP MENU button
9	SETUP menu button *1
10	Number buttons (0-9, >10)
11	STOP button (■)
12	PLAY button (▶)
13	PAUSE button ()
14	STEP / Slow buttons (◀ , ▶)
15	SCAN (fast forward/reverse) buttons (◀◀, ▶▶)
16	Chapter skip NEXT button (▶▶)
17	Chapter skip PREV button (◀◀)
18	Cursor buttons (▲, ▶, ▼, ◀)
19	ENTER button
20	RETURN button
21	Title, chapter, frame, time button (TITLE/CHP/FRM/TIME)
22	Frame/time button (FRM/TIME)
23	SEARCH button
24	CLEAR button

*1 This key operates the same as the FUNCTION button on the main unit.

■ Jigs list

JIG No.	JIG Name	Remarks
GGF1067	Service Remote control unit	Test mode operated
GGF1348	DVD Interface jig	Rewriting of GUID
GGV1139	DVD-R	
GGV1050	DVD-RW	
GGV1176	HDD Copy Disc for PRV-LX1	HDD Replacement
GGV1177	OS Install Disc for PRV-LX1	
GGV1234	Program Install Disc for PRV-LX1(Ver.3.01)	
	Frequency counter	Clock adjustment
DEX1008	Forced ejection pin	Open the tray for Drive1 and Drive2
GEM1004	Cleaning liquid	Pickup lenses
GED-008	Cleaning paper	Pickup lenses and Fans