

Service Manual

ORDER NO.
RRV3131

DVD RECORDER

PRV-LX1DW

THIS MANUAL IS APPLICABLE TO THE FOLLOWING MODEL(S) AND TYPE(S).

Type	Model	Power Requirement	Remarks
	PRV-LX1DW		
KU/CA	○	AC120V	

● This service manual should be used together with the following manual(s):

Model No.	Order No.	Remarks
PRV-LX1/KU/CA	RRV2803	

● How to distinguish the PRV-LX1DW/KU/CA from the PRV-LX1/KU/CA.

PRV-LX1/KU/CA	&&&&0#####&&	&: Alphabet, #: Figure
PRV-LX1DW/KU/CA	&&&&1#####&&	

↑
The sixth digit of the serial number for the PRV-LX1DW is " 1 ", whereas that for the PRV-LX1 is 0.

1. CONTRAST OF MISCELLANEOUS PARTS

NOTES: ● Parts marked by "NSP" are generally unavailable because they are not in our Master Spare Parts List.

● The Δ mark found on some component parts indicates the importance of the safety factor of the part. Therefore, when replacing, be sure to use parts of identical designation.

● Screws adjacent to \blacktriangledown mark on product are used for disassembly.

● Reference Nos. indicate the pages and Nos. in the service manual for the base model.

● When ordering resistors, first convert resistance values into code form as shown in the following examples.

Ex.1 When there are 2 effective digits (any digit apart from 0), such as 560 ohm and 47k ohm (tolerance is shown by J=5%, and K=10%).

560 \rightarrow 56×10^1 \rightarrow 561 RD1/4PU $\boxed{5}\boxed{6}\boxed{7}J$

47k \rightarrow 47×10^3 \rightarrow 473 RD1/4PU $\boxed{4}\boxed{7}\boxed{3}J$

0.5 \rightarrow R50 RN2H $\boxed{R}\boxed{5}\boxed{0}K$

1 \rightarrow 1R0 RS1P $\boxed{1}\boxed{R}\boxed{0}K$

Ex.2 When there are 3 effective digits (such as in high precision metal film resistors).

5.62k \rightarrow 562×10^1 \rightarrow 5621 RN1/4PC $\boxed{5}\boxed{6}\boxed{2}\boxed{1}F$

■ CONTRAST TABLE

PRV-LX1DW/KU/CA and PRV-LX1/KU/CA are constructed the same except for the following :

Ref. No.	Mark	Symbol and Description	Part No.				Remarks
			PRV-LX1/ KU/CA		PRV-LX1DW/ KU/CA		
P15 - 7		PACKING SECTION Operating Instructions (English/ French)	DRC1228 or DRC1258		DRC1258		
P15 -16		Packing Case	DHG2346		DHG2458		
P23 - 4		REAR PANEL SECTION Rear Panel	DNC1696		DNC1709		
			[Drive 1]	[Drive 2] (option)	[Drive 1]	[Drive 2]	
P19 - 6		EXTERIOR SECTION (2/3) Drive Assy LX1	DXX2532	-	DXX2532	DXX2532	No.1
P19 - 11		Silicone Spacer A	DEB1600	-	DEB1600	DEB1600	No.2
P19 - 12		Heat Sink	DNG1087	-	DNG1087	DNG1087	No.3
P19 - 35		Screw	BBZ30P060FMC	-	BBZ30P060FMC	BBZ30P060FMC	No.4
P19 - 36		Screw	AMZ30P060FZK	-	AMZ30P060FZK	AMZ30P060FZK	No.5
P25 - 14	NSP	FRONT PANEL SECTION Tray Filter	DEC2528	-	DEC2528	DEC2528	No.6
P25 - 15		Tray Holder	DNV1038	-	DNV1038	DNV1038	No.7
P25 - 16		Tray Spring	DBH1515	-	DBH1515	DBH1515	No.8
P25 - 17		Drive 2 Blind Panel	DNV1040	-	Not used	Not used	
P25 - 21		Drive Lens	DNV1039	-	DNV1039	DNV1039	No.9
P25 - 13	NSP NSP	Tray Panel 1	DNV1037	-	DNV1037	Not used	
		Tray Panel 2	Not used	-	Not used	DNV1044	No.10
		Tray Button 2	Not used	-	Not used	DAC2110	No.11
		Drive Lens Support Plate	Not used	-	Not used	DEC2536	No.12
		Drive 2 Panel	Not used	-	Not used	DNV1045	No.13
		Tray Panel 1 Assy	DXA1961	-	DXA1961	Not used	
		Tray Panel 2 Assy	Not used	-	Not used	DXA1962	No.14
		Screw	VBA1034	-	VBA1034	VBA1034	No.15
		Screw	Not used	-	Not used	BPZ20P060FZK	No.16

Note : The numbers in the remarks column correspond to the numbers on the "EXPLODED VIEWS".

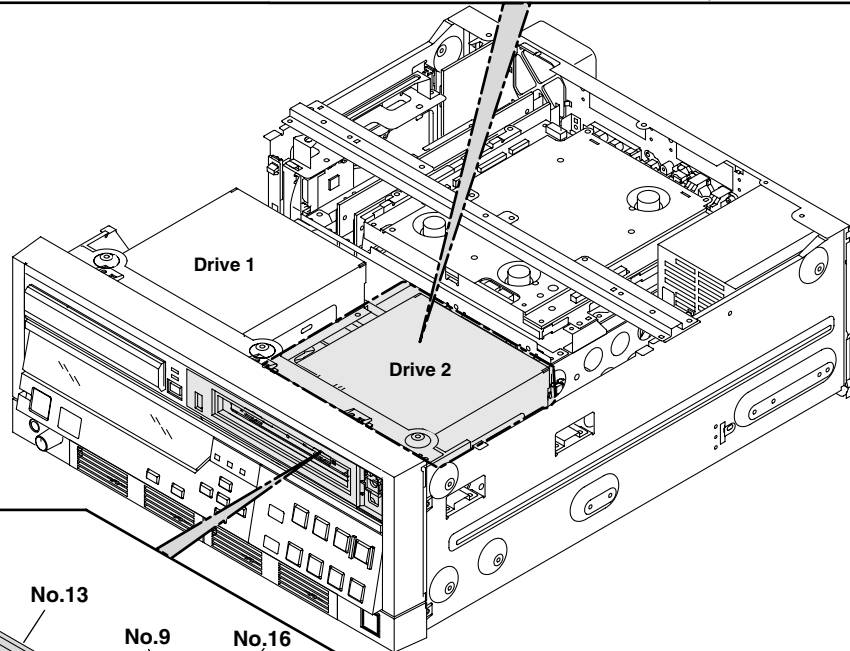
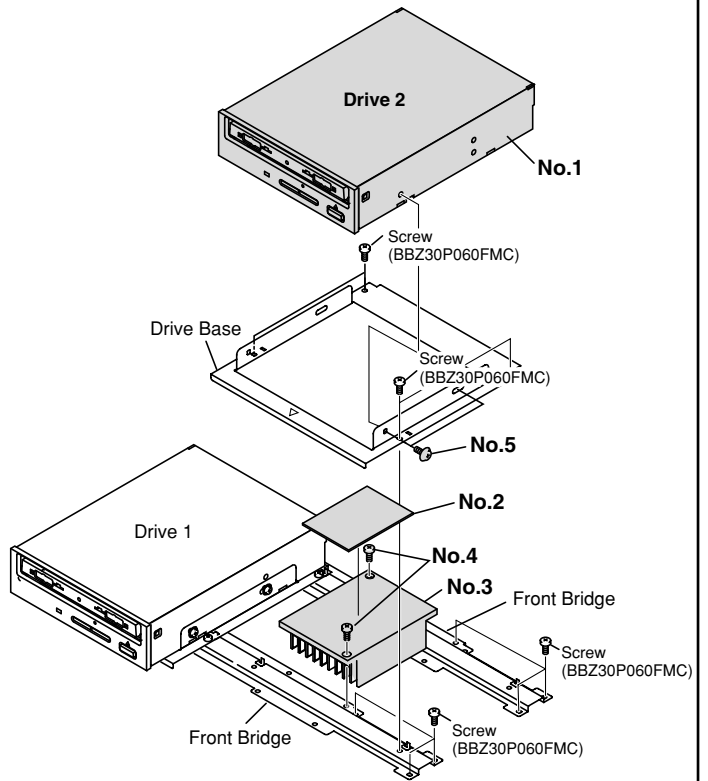
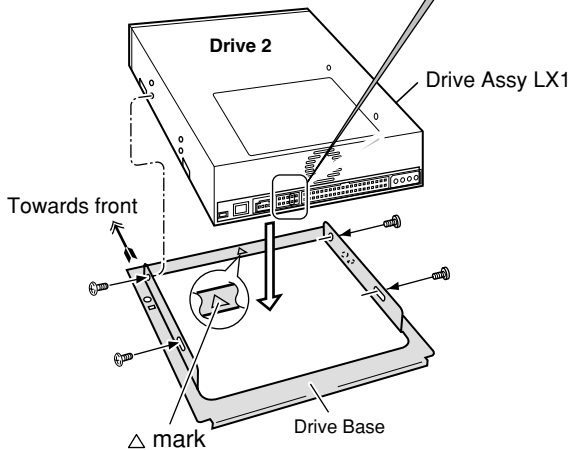
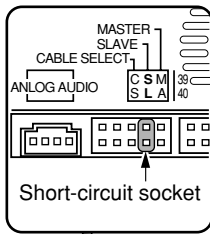
EXPLODED VIEWS

• EXTERIOR SECTION and FRONT SECTION (DRIVE 2 SECTION)

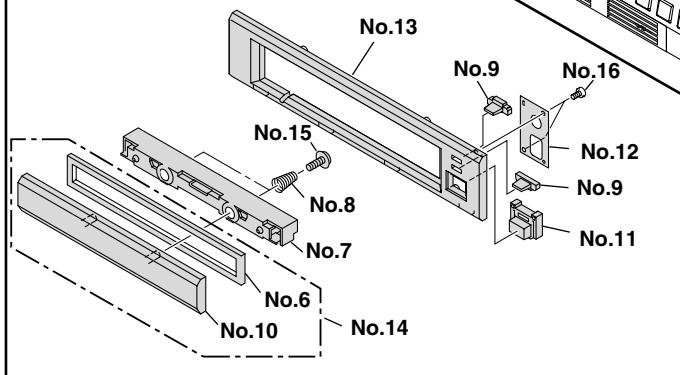
• Drive 2 Section

Note:

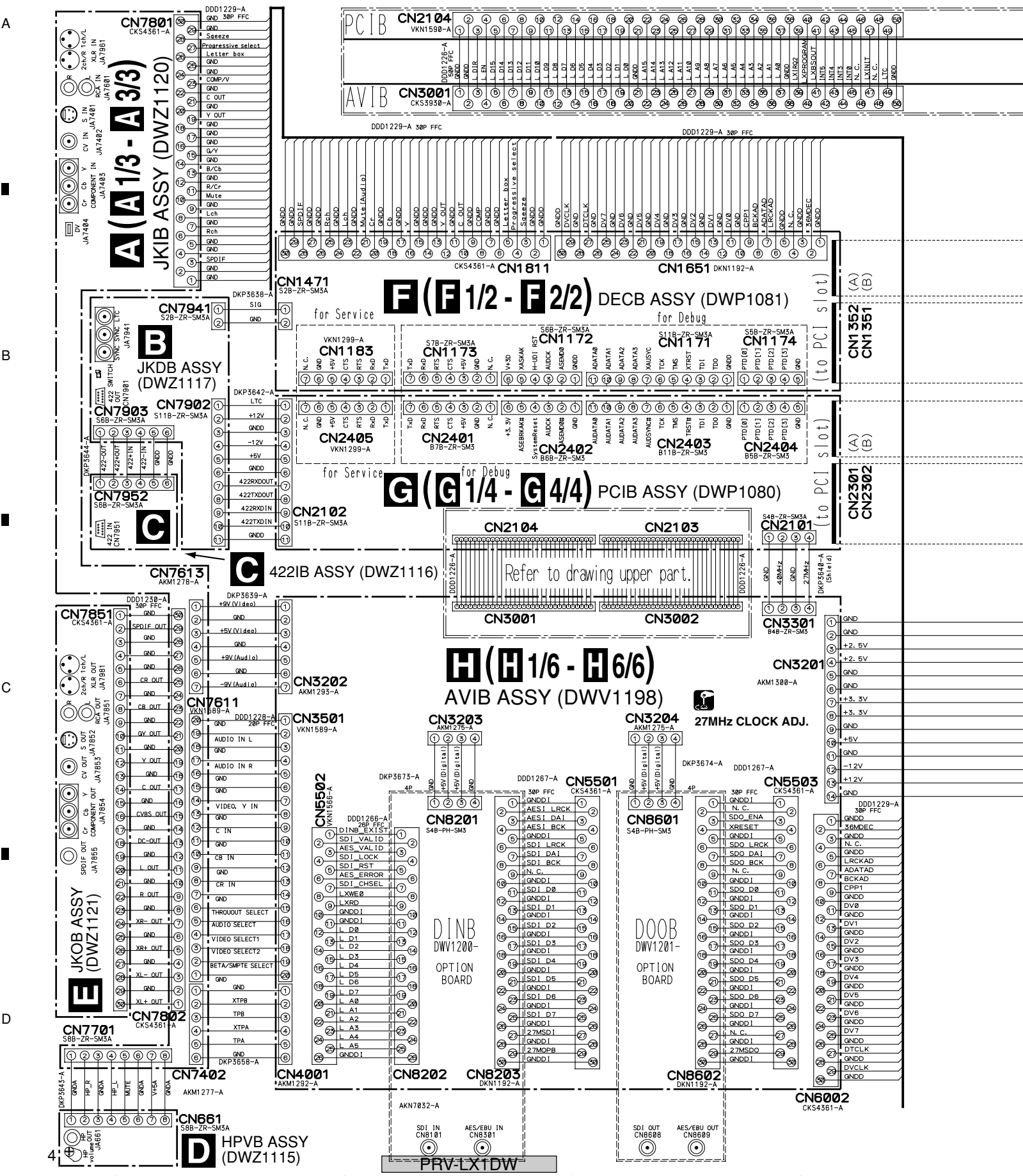
When replacing Drive Assy LX1 with one for servicing in a case where the DVD-R/RW writer unit on the drive-2 side is in failure, be sure to attach the short-circuiting socket to the device configuration jumper Pin 2, located inside the rear panel.

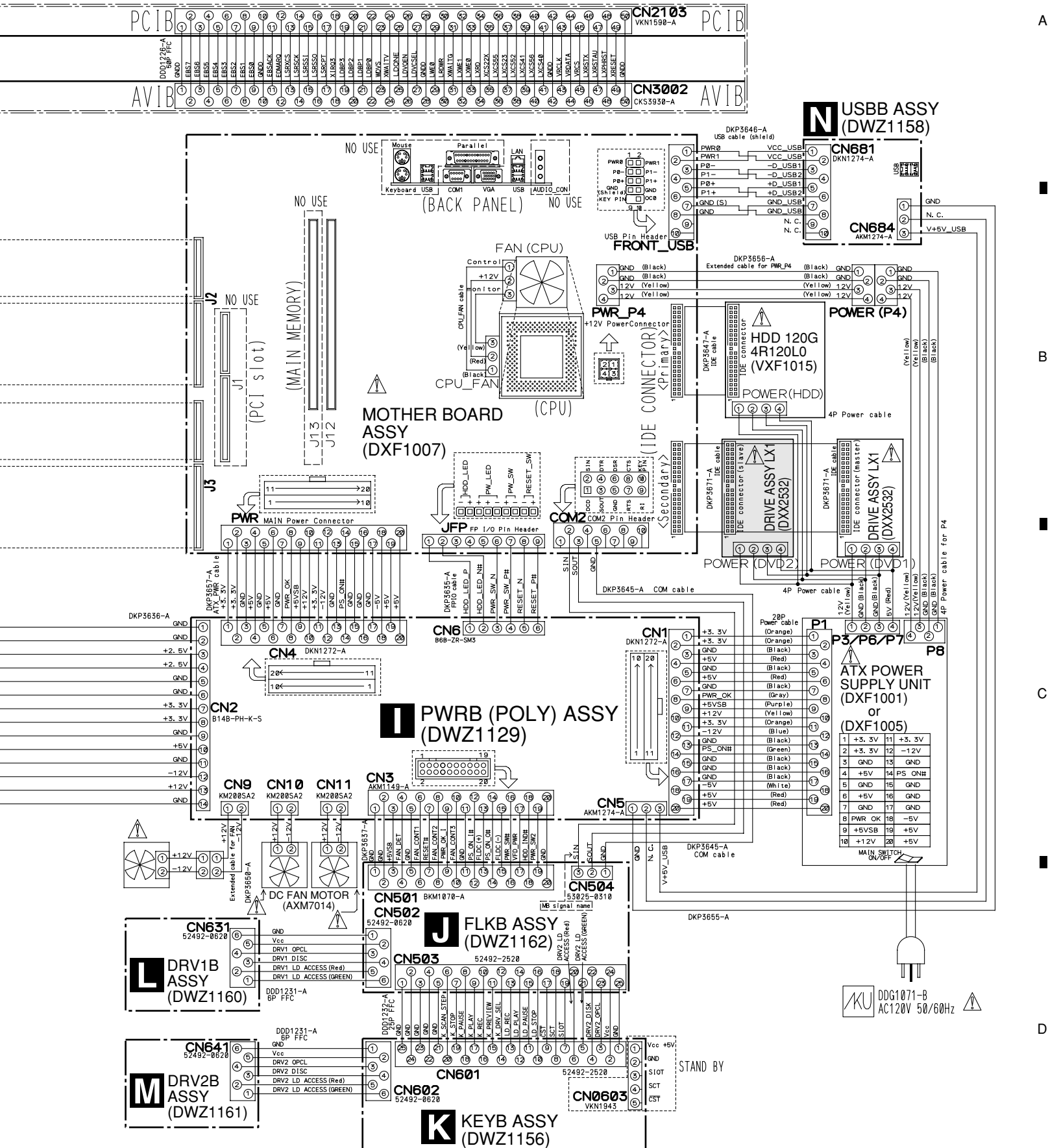


• Drive 2 Front Section



2. OVERALL WIRING DIAGRAM





A

B

C

D