

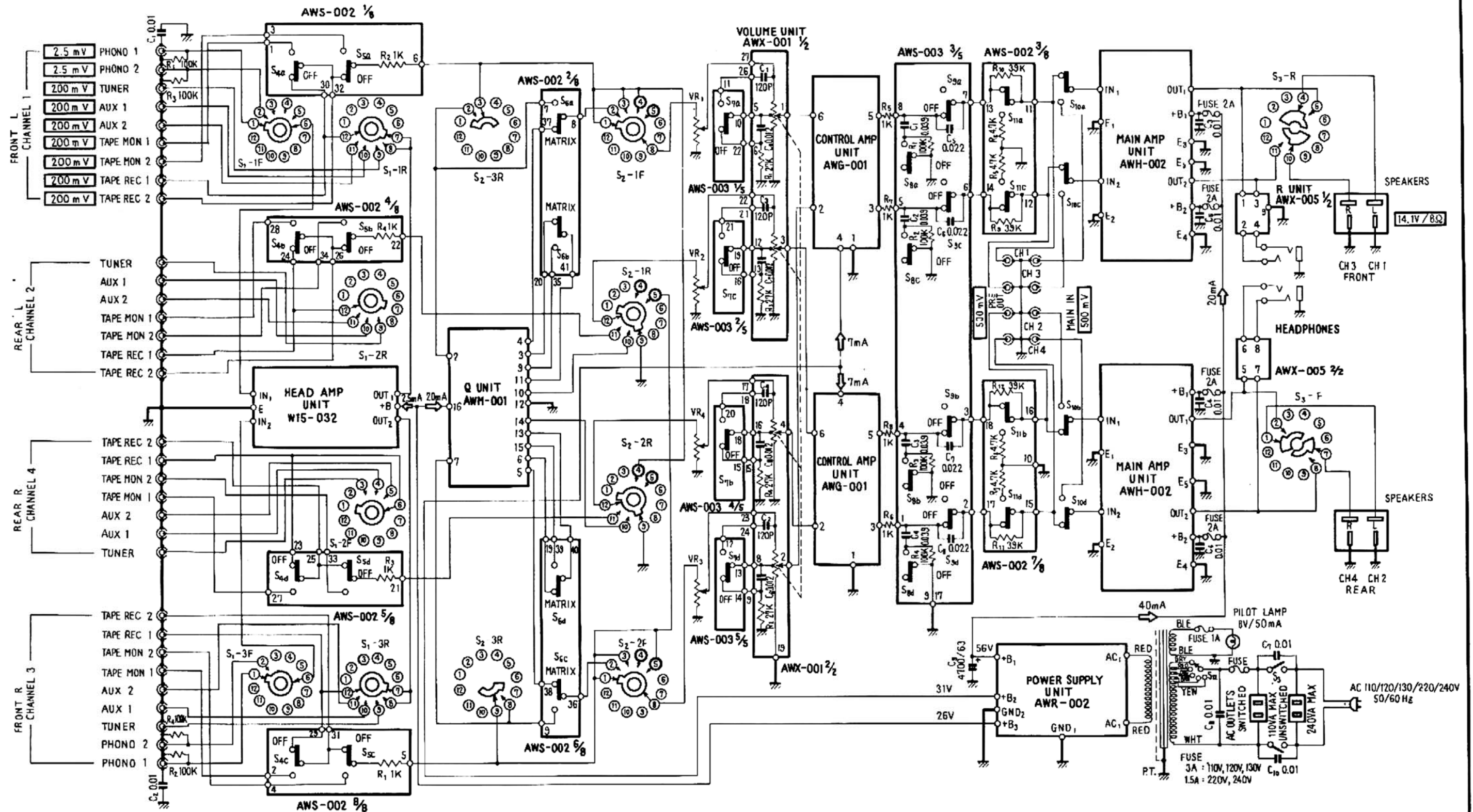
QUADRAPHONIC AMPLIFIER

QA-800

UNIT	ROUND LABEL	FWW					
FM FRONT END							
FM IF UNIT							
MPX UNIT							
AM TUNER UNIT							
Q UNIT		AWM-001					
HEAD AMP UNIT		W15-032					
CONTROL AMP UNIT		AWG-001					
MAIN AMP UNIT		AWH-002					
POWER SUPPLY UNIT		AWR-002					
SWITCH UNIT		AWS-002					
SWITCH UNIT		AWS-003					
SWITCH UNIT							
VR UNIT		AWX-001					
R UNIT		AWX-005					
MIC AMP UNIT							
REVERBE AMP UNIT							
REVERBE UNIT							



QA-800



SWITCHES

- S₁ - SELECTOR
 (1) PHONO 1
 (2) PHONO 2
 (3) TUNER
 (4) AUX 1
 (5) AUX 2

- S₂ - MODE
 (1) 2CH STEREO
 (2) QUADRALIZER
 (3) 4CH STEREO
 (4) L(CH-1) MONO
 (5) R(CH-3) MONO

- S₃ - SPEAKERS
 (1) POWER OFF
 (2) 4CH ST
 (3) REAR OFF
 (4) SPEAKER OFF

- S₄ - TAPE MONITOR 1 OFF ↔ ON
 S₅ - TAPE MONITOR 2 OFF ↔ ON
 S₆ - QUADRALIZER
 MATRIX ↔ PHASE SHIFT
 S₇ - LOUDNESS OFF ↔ ON
 S₈ - HIGH FILTER OFF ↔ ON
 S₉ - LOW FILTER OFF ↔ ON
 S₁₀ - PRE & MAIN
 INTER COUPLED ↔ SEPARATED
 S₁₁ - MUTING OFF ↔ ON

POTENTIOMETERS

- VR₁ - LEVEL CONTROL (CH.1)
 VR₂ - LEVEL CONTROL (CH.2)
 VR₃ - LEVEL CONTROL (CH.3)
 VR₄ - LEVEL CONTROL (CH.4)
 VR₅ - VOLUME CONTROL

RESISTORS

- NON MARK : OHM
 K : KILOHM
 M : MEGOHM

CAPACITORS

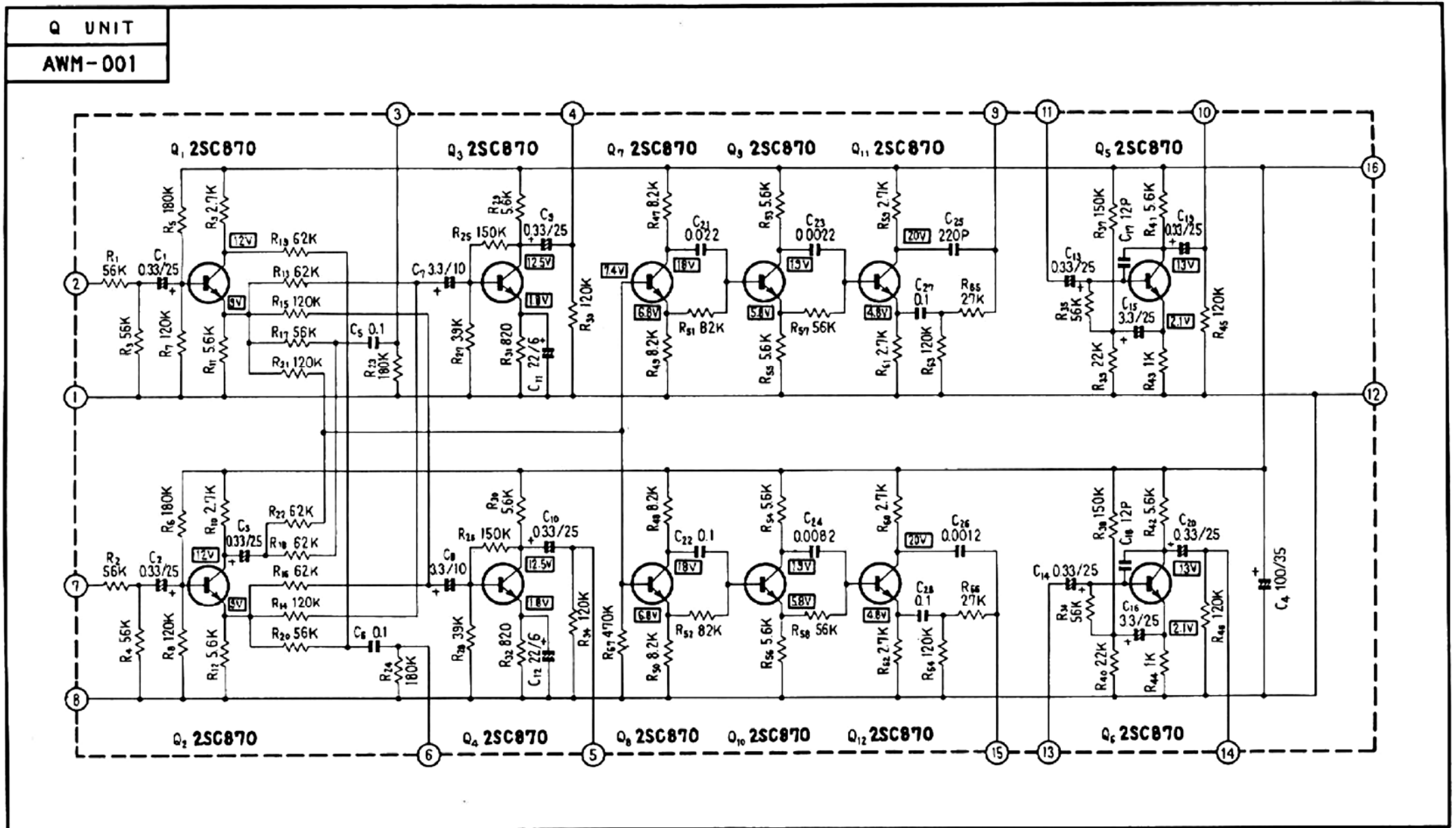
- NON MARK : μF
 P : μμF

Y : SIGNAL VOLTAGE AT 25W/8Ω OUTPUT

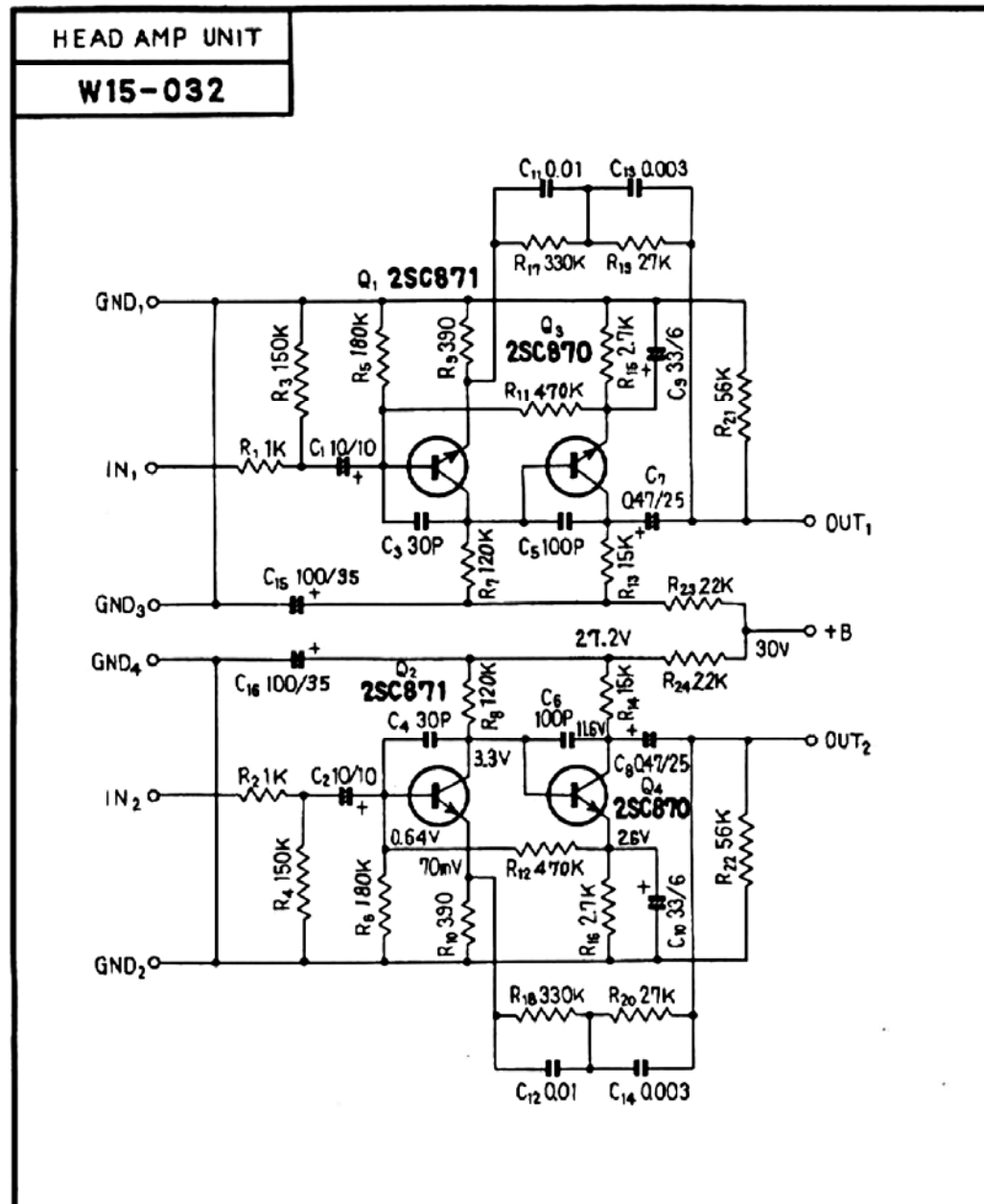
V : DC VOLTAGE AT NO INPUT SIGNAL

→ : DC CURRENT AT NO INPUT SIGNAL

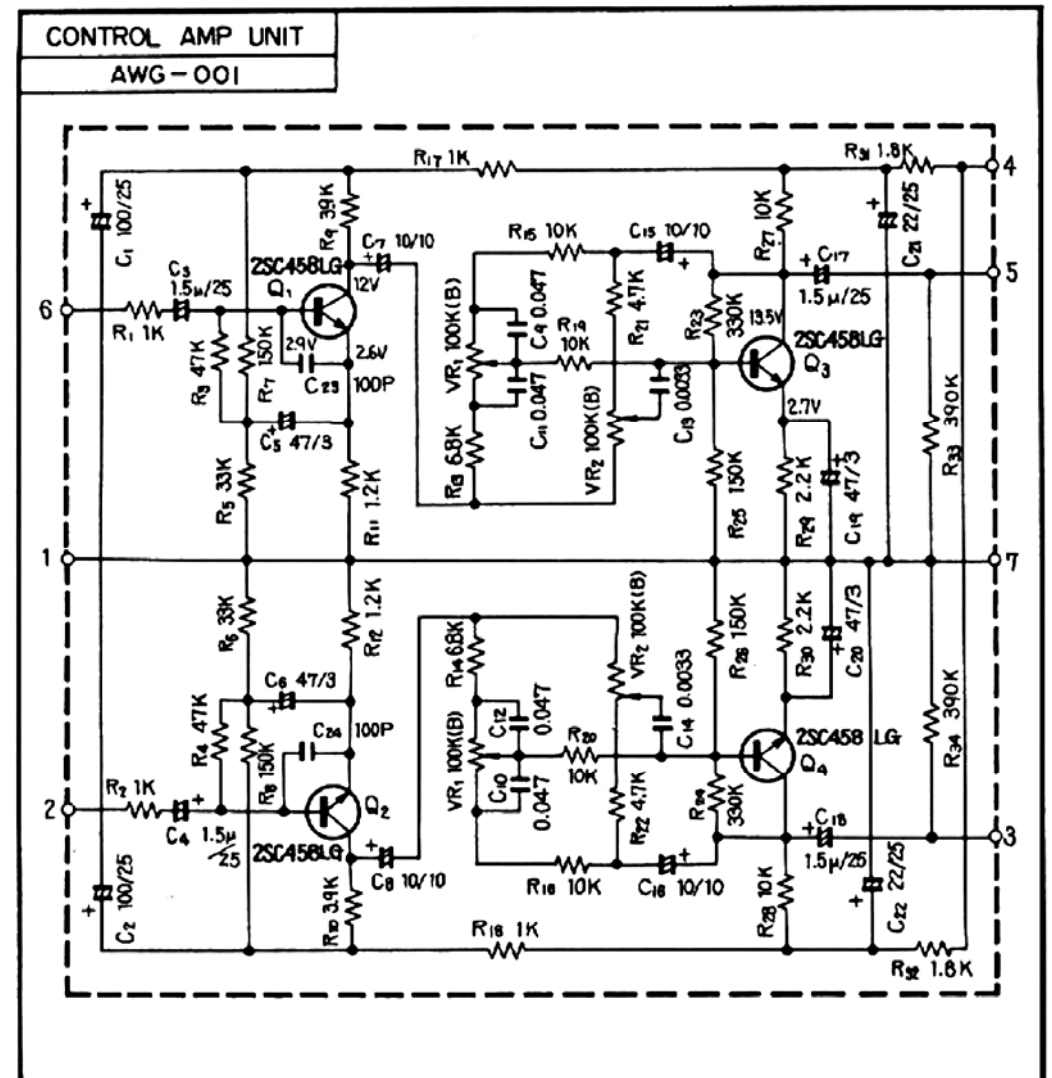
Q UNIT



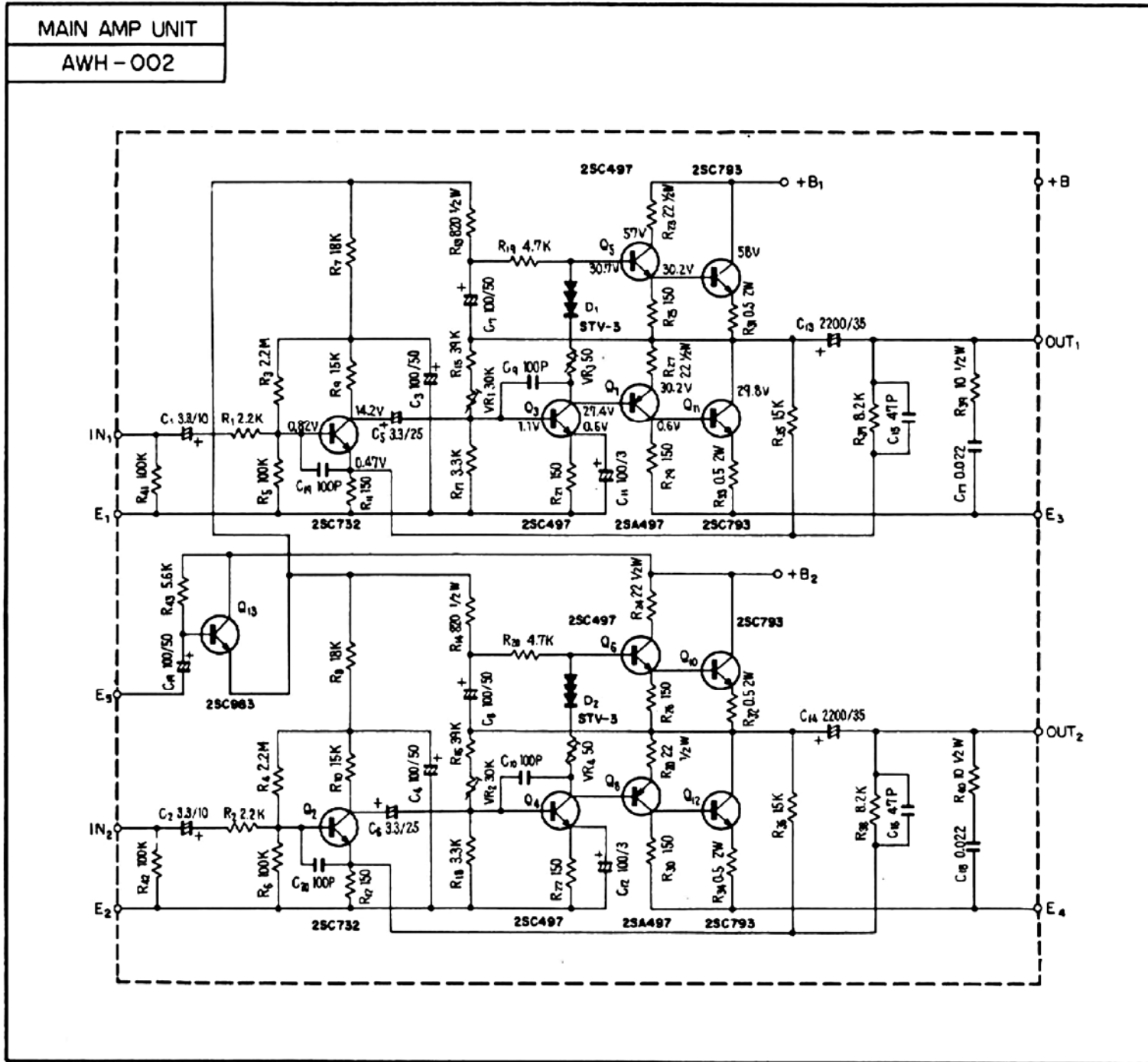
HEAD AMP UNIT



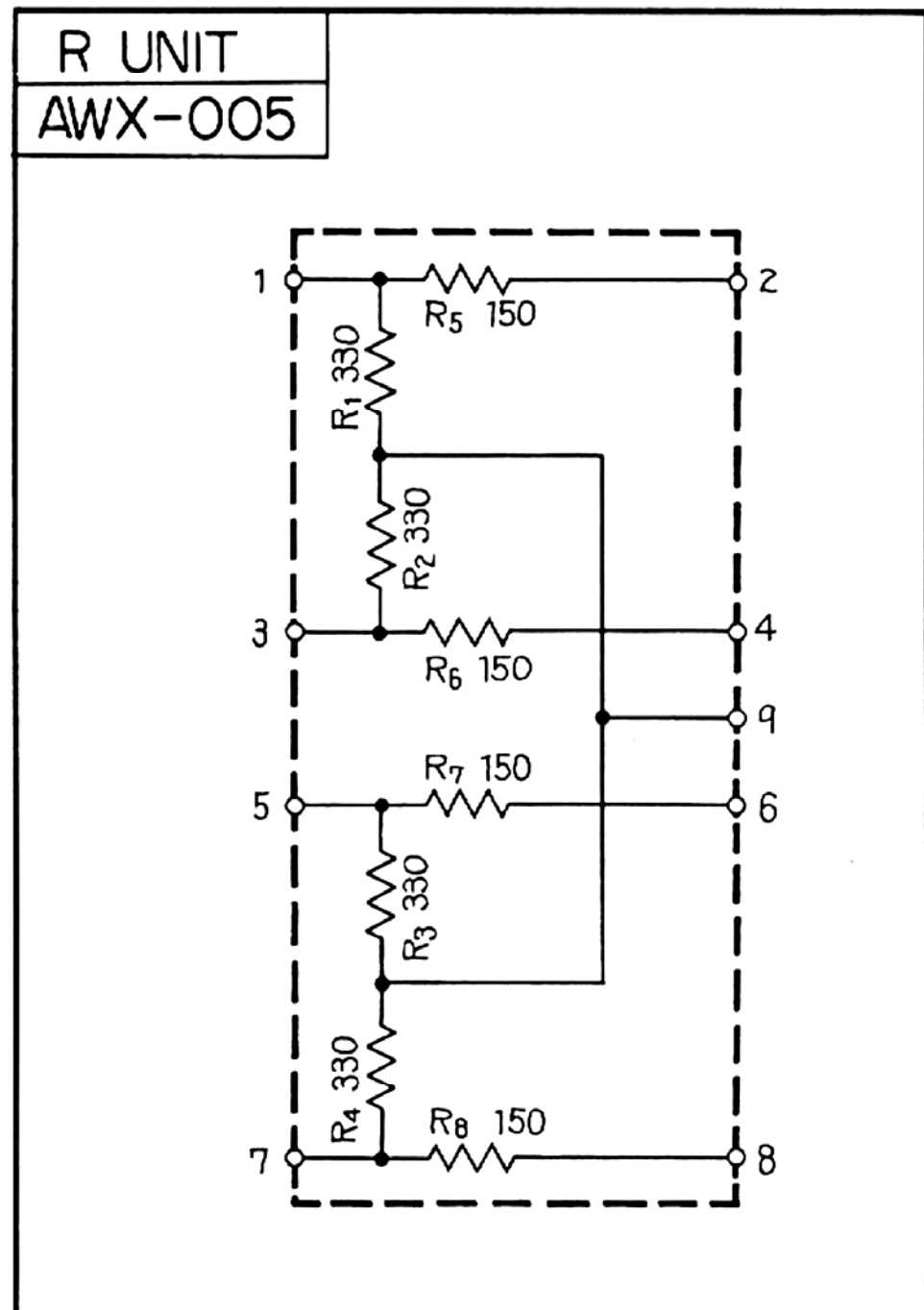
CONTROL AMP UNIT



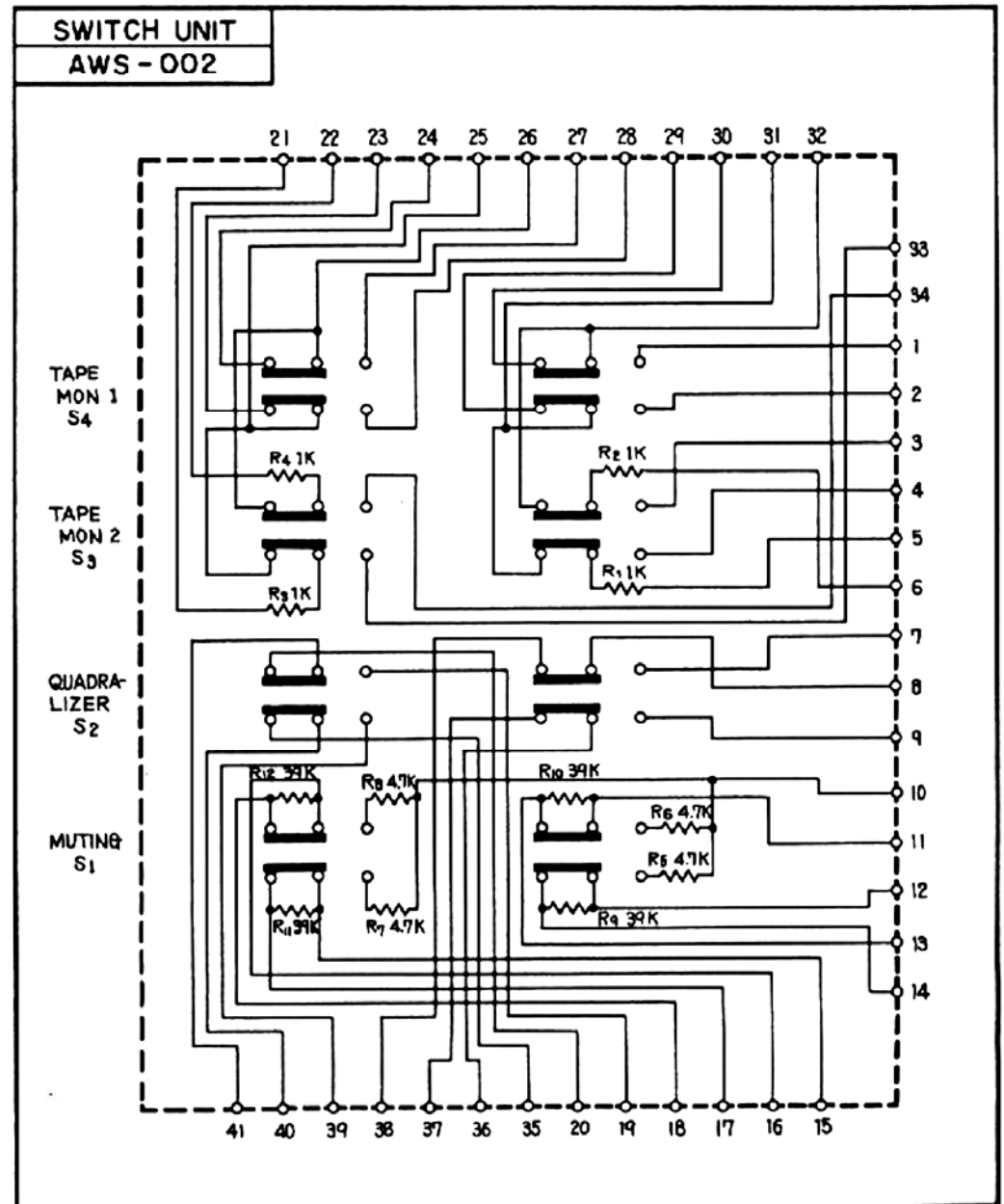
MAIN AMP UNIT



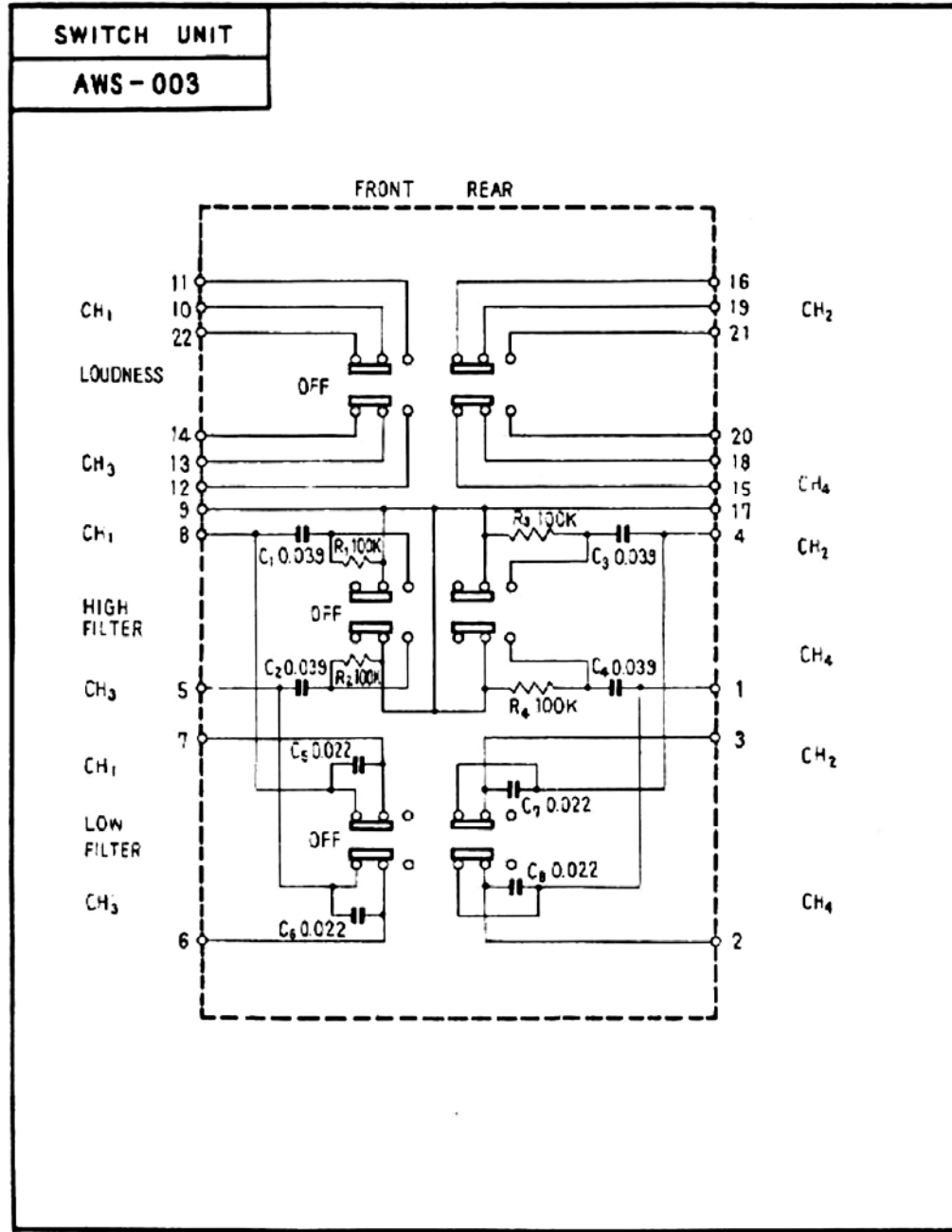
R UNIT



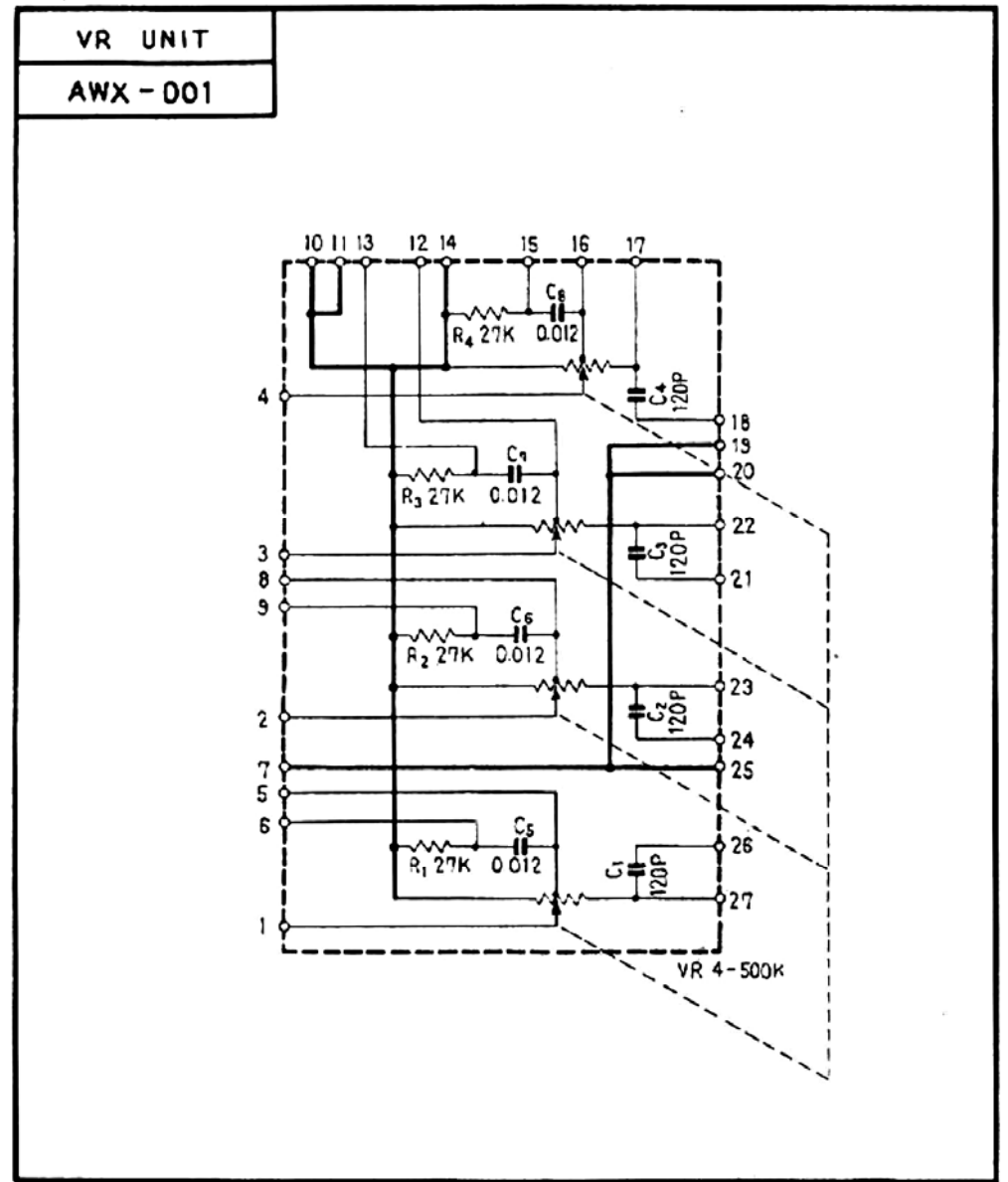
SWITCH UNIT



SWITCH UNIT



VR UNIT



POWER SUPPLY UNIT

