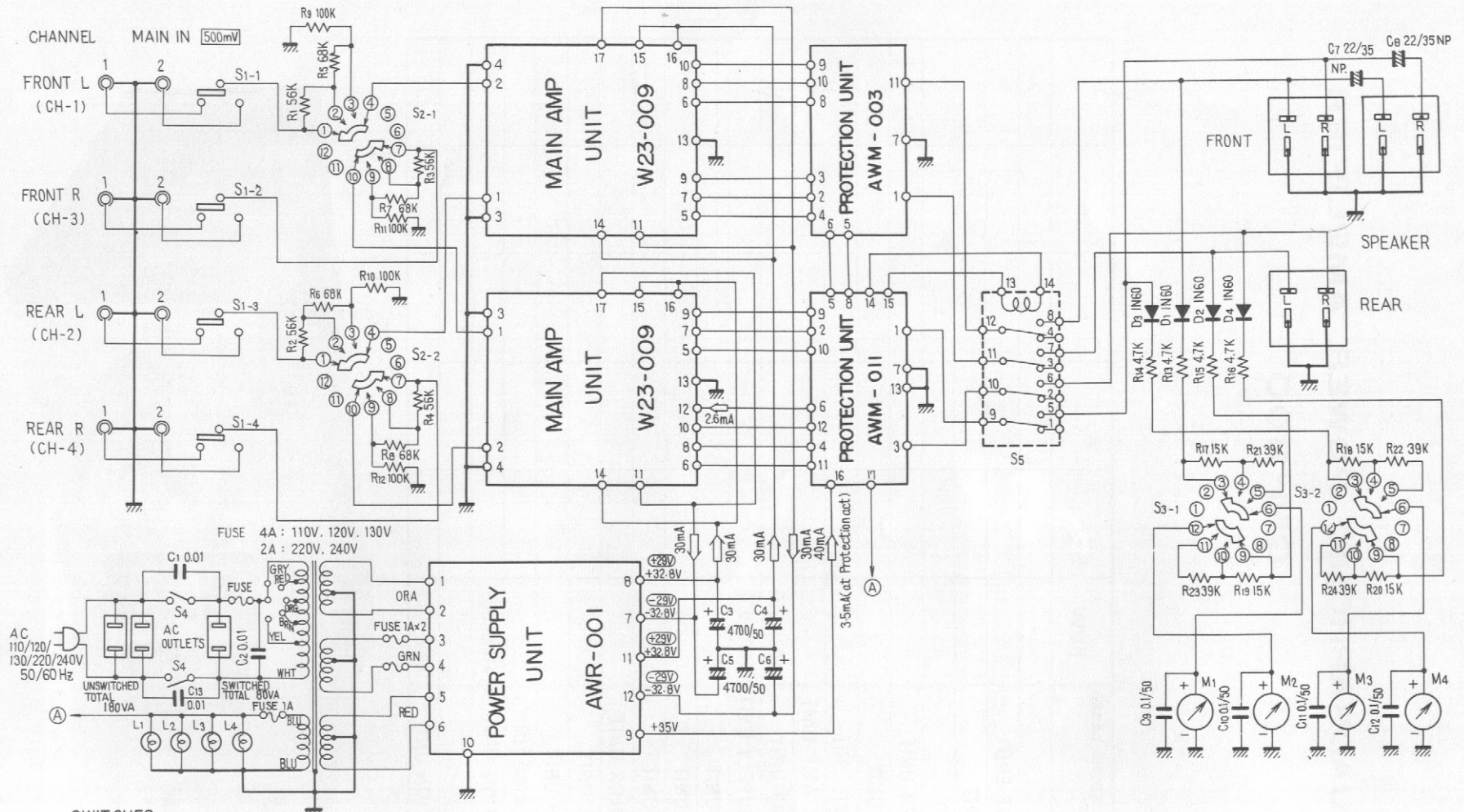


# QUADRAPHONIC POWER AMPLIFIER

## QM-800

| UNIT              | ROUND LABEL | FWW     |  |  |  |  |  |
|-------------------|-------------|---------|--|--|--|--|--|
| FM FRONT END      |             |         |  |  |  |  |  |
| FM IF UNIT        |             |         |  |  |  |  |  |
| MPX UNIT          |             |         |  |  |  |  |  |
| AM TUNER UNIT     |             |         |  |  |  |  |  |
| MUTING UNIT       |             |         |  |  |  |  |  |
| HEAD AMP UNIT     |             |         |  |  |  |  |  |
| CONTROL AMP UNIT  |             |         |  |  |  |  |  |
| MAIN AMP UNIT     |             | W23-009 |  |  |  |  |  |
| POWER SUPPLY UNIT |             | AWR-001 |  |  |  |  |  |
| SWITCH UNIT       |             |         |  |  |  |  |  |
| SWITCH UNIT       |             |         |  |  |  |  |  |
| SWITCH UNIT       |             |         |  |  |  |  |  |
| TONE COLOR UNIT   |             |         |  |  |  |  |  |
| CONTROL UNIT      |             |         |  |  |  |  |  |
| MIC AMP UNIT      |             |         |  |  |  |  |  |
| REVERBE AMP UNIT  |             |         |  |  |  |  |  |
| PROTECTION UNIT   |             | AWM-003 |  |  |  |  |  |
|                   |             |         |  |  |  |  |  |
| PROTECTION UNIT   |             | AWM-011 |  |  |  |  |  |





### SWITCHES

- S1 INPUT SELECTOR 1, 2.
- S2 INPUT LEVEL
  - (1) 0.5V
  - (2) 1.0V
  - (3) 2.0V

- S3 METER LEVEL
  - (1) - 20 dB
  - (2) - 10 dB
  - (3) 0 dB
- S4 POWER SW.
- S5 RELAY

### RESISTORS

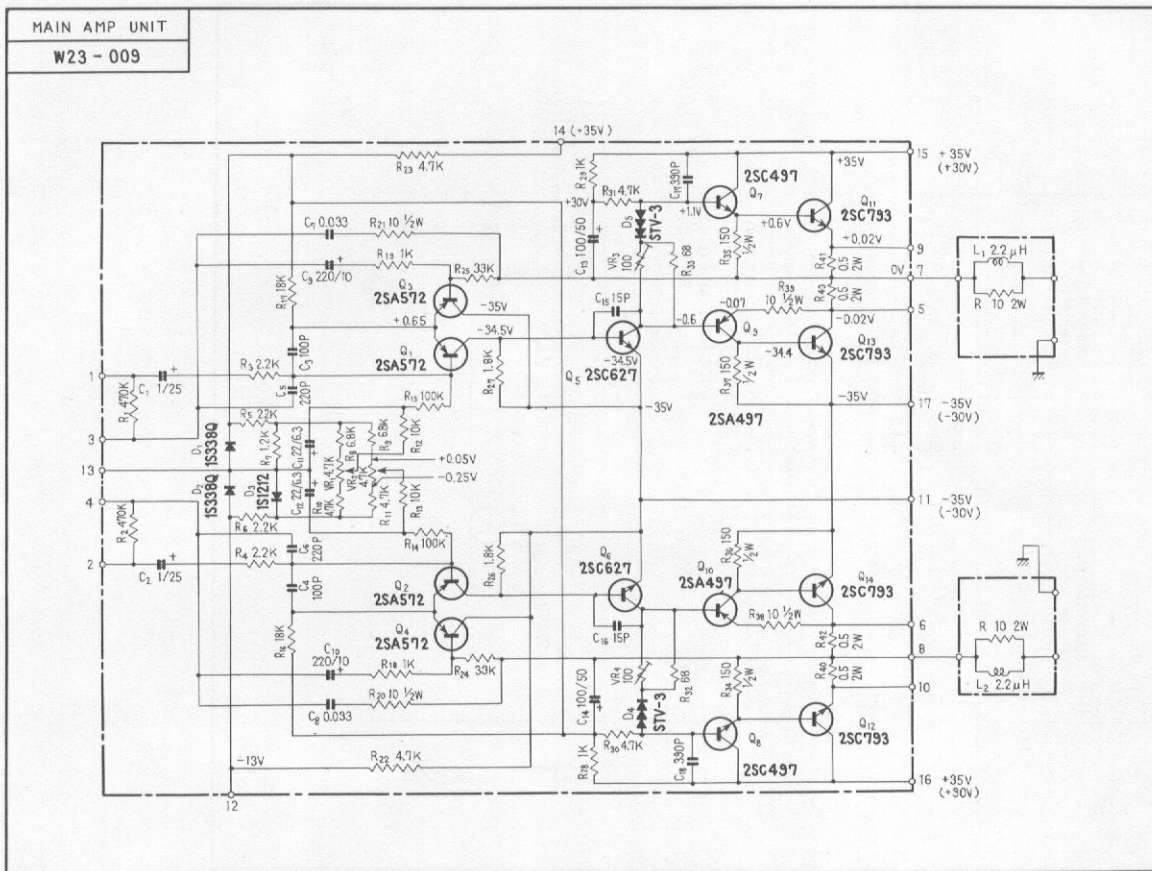
- NON MARK : OHM
- K : KILOHM
- M : MEGOHM

### CAPACITORS

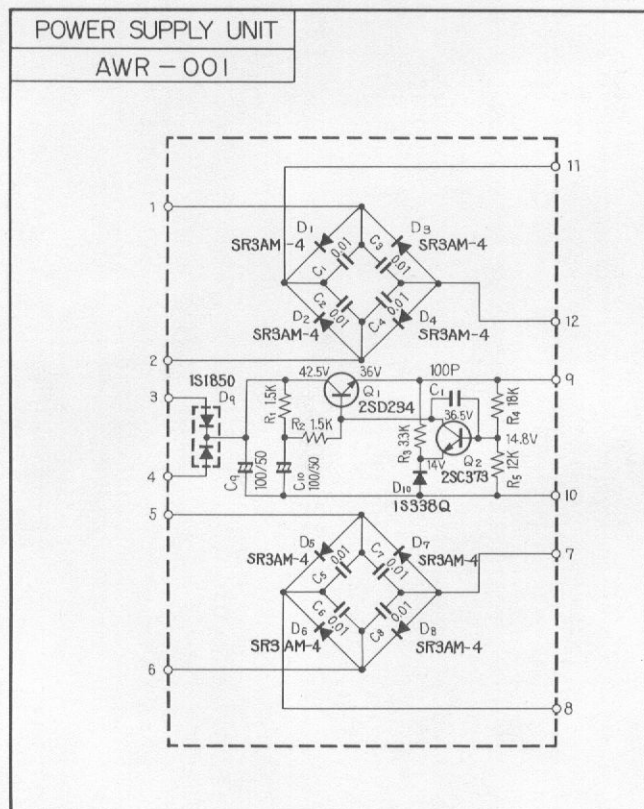
- NON MARK :  $\mu$ F
- P :  $\mu$  $\mu$ F

- V : SIGNAL VOLTAGE AT 35W/8 $\Omega$  OUTPUT
- V : DC VOLTAGE AT NO INPUT SIGNAL
- : DC CURRENT AT NO INPUT SIGNAL
- V : DC VOLTAGE AT MAX INPUT SIGNAL

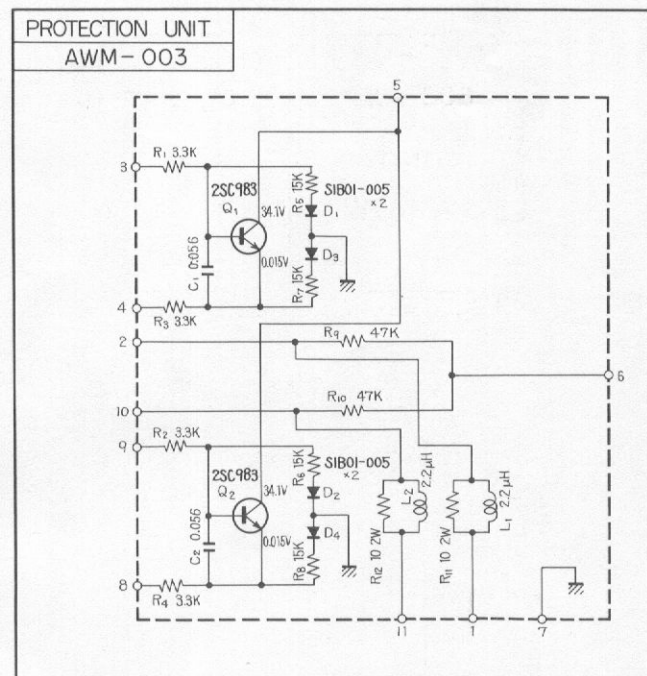
MAIN AMP UNIT



POWER SUPPLY UNIT



PROTECTION UNIT



# PROTECTION UNIT

PROTECTION UNIT

AWM-011

