

PRE-AMP UNIT
RWF-002

CONTROL PRINT UNIT
RWG-010

SWITCHES

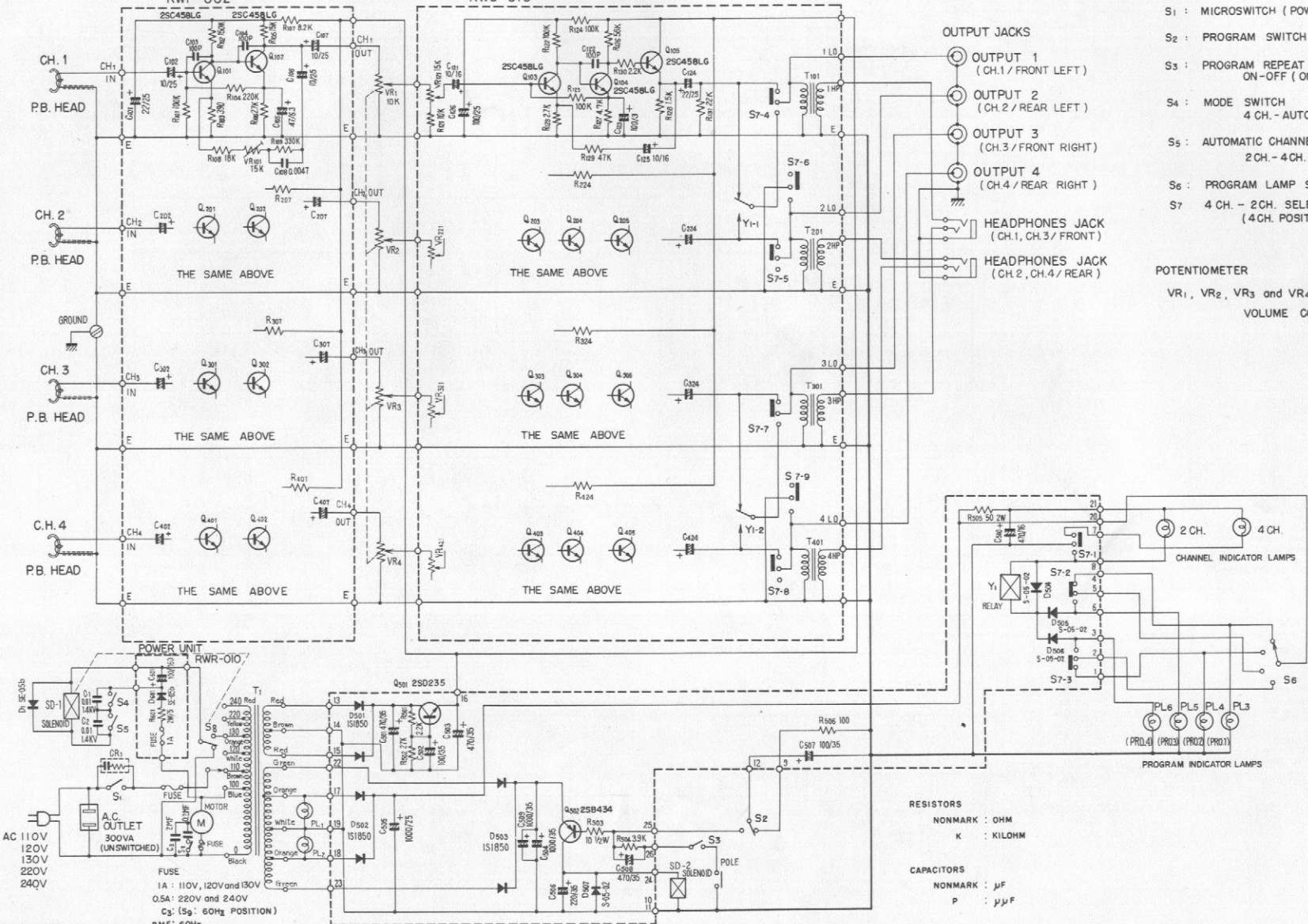
- S1 : MICROSWITCH (POWER SWITCH)
- S2 : PROGRAM SWITCH
- S3 : PROGRAM REPEAT SWITCH ON-OFF (ON POSITION)
- S4 : MODE SWITCH 4 CH. - AUTO (4 CH. POSITION)
- S5 : AUTOMATIC CHANNEL SELECTOR 2 CH. - 4 CH. (4 CH. POSITION)
- S6 : PROGRAM LAMP SWITCH
- S7 4 CH. - 2 CH. SELECTOR (4 CH. POSITION / INTERLOCK WITH SD-1)

POTENTIOMETER

- VR1, VR2, VR3 and VR4
- VOLUME CONTROL

OUTPUT JACKS

- OUTPUT 1 (CH.1 / FRONT LEFT)
- OUTPUT 2 (CH.2 / REAR LEFT)
- OUTPUT 3 (CH.3 / FRONT RIGHT)
- OUTPUT 4 (CH.4 / REAR RIGHT)
- HEADPHONES JACK (CH.1, CH.3 / FRONT)
- HEADPHONES JACK (CH.2, CH.4 / REAR)



RESISTORS
NONMARK : OHM
K : KILOHM

CAPACITORS
NONMARK : μF
P : μμF

FUSE
1A : 110V, 120V and 130V
0.5A : 220V and 240V
C3 : (5g : 60Hz POSITION)
2MF : 60Hz
2.2MF : 50Hz